

# JQG7507(-Y)(-W) | JQG9007-Y

## Slant Vent Prestige Performance Series

### Range Hood

**FOTILE**  
A BREATH OF FRESH ENGINEERING®



#### Color and Size Variations

- 30" / 36" MOONSHADOW
- 30" Onyx Black
- 30" Elegant White

## Main Features

### MOONSHADOW Color

**Exclusive designer color** with frosted matte anti-glare glass finish that resists fingerprints and water stains.

(Model JQG7507-Y, JQG9007-Y)

### Tempered Glass

Sleek, durable, and scratch-resistant, this material meets cooking safety requirements and is easy to clean. Its **glossy finish** adds a touch of sophistication to any kitchen.

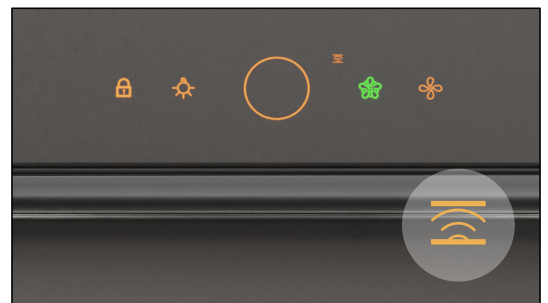
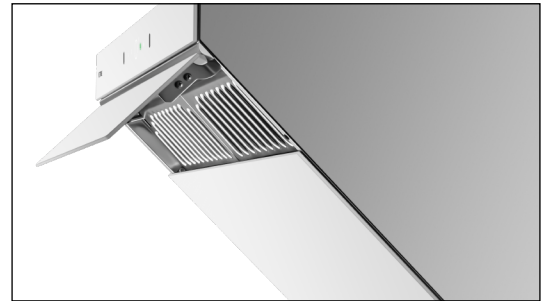
(Model JQG7507, JQG507-W)

### Sync Connect with Cooktop\*

Seamlessly **sync with select FOTILE cooktop** for automatic fan and LED light control.

### 90° Automatic Capture Shield

Prevents smoke dispersion with an extra-wide fume inlet, providing consistent suction pressure from all angles and **covering up to 6 sq.ft.**



### Stir-Fry Mode with a Power Boost

Provides an extra power boost of 1100 Max Equiv. CFM\*\* to effectively tackle heavy smoke and cooking odors—**100 CFM more** than the previous Prestige Series.

### Motion Activation and Auto Delay Shutoff

Hands-free operation and a default **5-minute delay** allow for a hassle-free shutdown.



\*This feature is available with any FOTILE cooktop that features Sync Connect.

\*\*FOTILE Equivalent CFM is a higher CFM rating due to our filterless technology that combines WhisPower Motors and Capture-Shield design. By utilizing this technology, FOTILE applies the Coanda Effect by accelerating smoke extraction and grease separation, and increasing our Capture Efficiency. This enables FOTILE to cover a larger cooktop surface (6 sq.ft.) and achieve a 95% oil filtration rate, and 98% odor reduction rate, keeping your kitchen smoke free and smelling fresh.

# JQG7507(-Y)(-W) | JQG9007-Y

## Slant Vent Prestige Performance Series

### Range Hood

**FOTILE**  
A BREATH OF FRESH ENGINEERING®

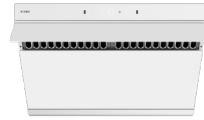
## Specifications



JQG7507-Y



JQG9007-Y



JQG7507-W



JQG7507

Style and Design		MOONSHADOW Collection	
Color	MOONSHADOW		Elegant White   Onyx Black
Material	Anti-glare Glass		Tempered Glass
Size	30 inches	36 inches	30 inches
Installation	Under Cabinet or Wall Mount		
Operation	Motion + Touch + Sync Connect*		
Screen Lock	Yes		
Delay Shutoff	5 min		
Illumination (W)	3W x 2 (LED) 500 Lux		
Grease Cup/Filter	1 Oversized Grease Cup Dishwasher Safe Grease Filter		

Performance	
Motor	Dual DC Motors
Speed Setting	4
Max Equiv. CFM	1100 CFM**
Noise Level (sones)	1.2 / 4 / 6.5 / 7.5
Noise Level (dB)	38.5 / 48.3 / 54.0 / 56.5
Grease Filtration Rate	95%
Odor Reduction Rate	98%

Technical Specs	
Wattage (W)	210
Power Supply (V/Hz)	120/60
Vertical Duct	6" Round

Warranty Summary	
Labor	2 Years
Parts	5 Years (Limited)
Motor	Lifetime (Limited)

\*This feature is available with any FOTILE cooktop that features Sync Connect.

\*\*FOTILE Equivalent CFM is a higher CFM rating due to our filterless technology that combines WhisPower Motors and Capture-Shield design. By utilizing this technology, FOTILE applies the Coanda Effect by accelerating smoke extraction and grease separation, and increasing our Capture Efficiency. This enables FOTILE to cover a larger cooktop surface (6 sq.ft.) and achieve a 95% oil filtration rate, and 98% odor reduction rate, keeping your kitchen smoke free and smelling fresh.

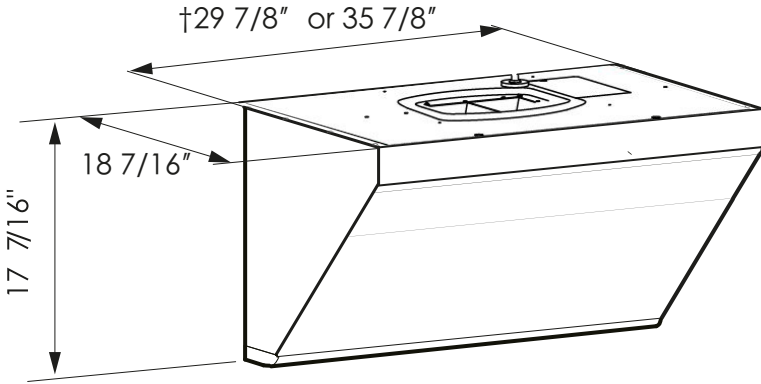
# JQG7507(-Y)(-W) | JQG9007-Y

## Slant Vent Prestige Performance Series

### Range Hood

**FOTILE**  
A BREATH OF FRESH ENGINEERING®

## Product Dimensions



Product Dimension / Weight	
Overall Width	†29 7/8" or 35 7/8"
Overall Height	17 7/16"
Overall Depth	18 7/16"
Net Weight	64.6 lbs
Gross Weight	78.3 lbs

Accessories (Optional)	
Decorative Plate	4" / 6"



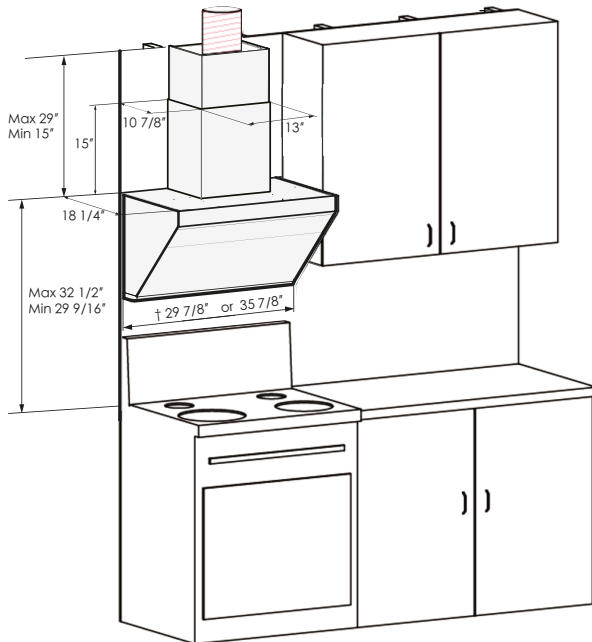
Stainless steel or black color for adjusting under cabinet installation height

Ceiling Decorative Cover	8' / 9' / 10'
--------------------------	---------------

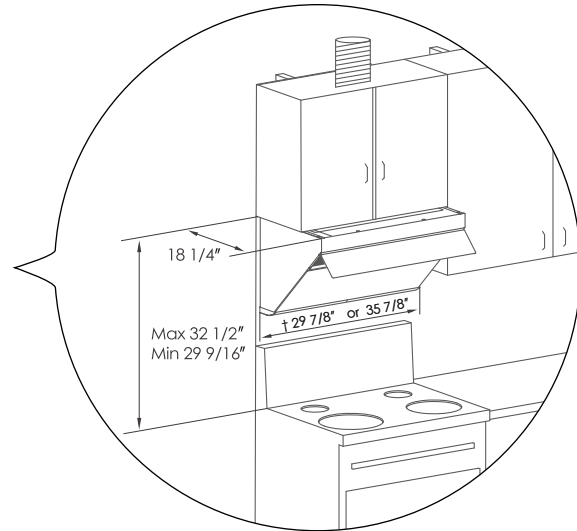


Extension decorative cover for wall-mount installation, suitable for 8-10ft ceilings

## Installation Dimensions



Wall-Mount Installation



Under-Cabinet Installation

†JQG7507, JQG7507-Y, and JQG7507-W have a width of 29 7/8 inches; JQG9007-Y has a width of 35 7/8 inches.

**Accessories:** To purchase FOTILE accessories and parts, please visit us at [us.fotileglobal.com](http://us.fotileglobal.com) or call 1(888) 315-0366.

**Notes:** All height, width, and depth dimensions are shown in inches. Information is subject to change. Please refer to the FOTILE website for the most up-to-date information.

**Warranties:** Please see the user manual or FOTILE website for the statement of limited warranty.

For more information on our entire line of products: visit [us.fotileglobal.com](http://us.fotileglobal.com) or call 1(888) 315-0366.

©2024 FOTILE America LLC. All rights reserved. FOTILE is a registered trademark of FOTILE Group.

# JQG7507(-Y)(-W) | JQG9007-Y 侧吸智能爆炒Performance油烟机

**FOTILE 方太**  
A BREATH OF FRESH ENGINEERING®



## 颜色及尺寸选择

- 玥影灰 30寸 36寸
- 玛瑙黑 30寸
- 典雅白 30寸

## 主要功能

### 玥影灰独家配色

采用雾面玥影灰玻璃，磨砂哑光质感，防眩光不留指纹不留水迹。

(型号JQG7507-Y, JQG9007-Y为雾面玥影灰玻璃)

### 钢化玻璃

时尚外观，耐用防刮，符合烹饪安全要求，光泽表面使清洁更加简单。

(型号JQG7507, JWQG7050-W为钢化玻璃)

### 烟灶联动 不怕忘开

与具有烟灶联动功能的方太灶具无缝联动。更少步骤，更多从容。不用担心油烟逃逸，强劲、安静，瞬时吸排。

### 90°自动隔烟屏

超宽进烟口防止烟雾扩散，从左到右吸力均匀覆盖。6平方英尺超大拢烟面积。



### 性能升级，无惧爆炒

提供更强大的1100最大等效CFM\*\*动力，能够有效处理重油烟和烹饪气味，比前一代Prestige系列高出100 CFM。

### 挥手开启和自动延迟关机

简易无接触操作。默认的5分钟延迟关机，让关机过程轻松无忧。

\*此功能适用于所有支持Sync Connect烟灶联动的方太灶具。

\*\*关于Equivalent (等效) CFM, Fotile 等效 CFM 是更高的 CFM 等级, 是由于我们的无过滤技术结合了 WhisPower 电机和 Capture-Shield (蝶衣环吸板) 设计。通过利用这项技术, 方太应用 Coanda Affect 加速排烟和油脂分离, 并提高我们的捕集效率。这使方太能够覆盖更大的灶具表面 (6 平方英尺) 并实现 95% 的油过滤率和 98% 的异味消除率, 让厨房无烟并闻起来清新。





# JQG7507(-Y)(-W) | JQG9007-Y

## 侧吸智能爆炒Performance油烟机

**FOTILE 方太**  
A BREATH OF FRESH ENGINEERING®

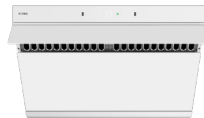
### 产品参数



JQG7507-Y



JQG9007-Y



JQG7507-W



JQG7507

风格与设计		MOONSHADOW Collection	
颜色	玥影灰	典雅白	玛瑙黑
材料	哑光玻璃		钢化玻璃
尺寸	30 英寸	36 英寸	30 英寸
安装方式	柜下或壁挂		
控制方式	挥手开启+触控+烟灶联动*		
屏幕锁	支持		
延时功能	5分钟		
照明 (W)	3W × 2 (LED) 500 Lux		
油杯、油网	可拆卸大容量油杯 易拆卸、可机洗油网		

性能	
电机	双直流电机
风量档位	4
最大等效风量	1100 CFM**
噪音 (sones)	1.2 / 4 / 6.5 / 7.5
噪音 (dB)	38.5 / 48.3 / 54.0 / 56.5
油脂分离度	95%
气味降低度	98%

技术参数	
整机功率 (W)	210
电源 (V/Hz)	120/60
出风口尺寸 (in)	顶出风 圆直径6"

质保	
人工	2年
零部件	5年 (有限质保)
电机	终生 (有限质保)

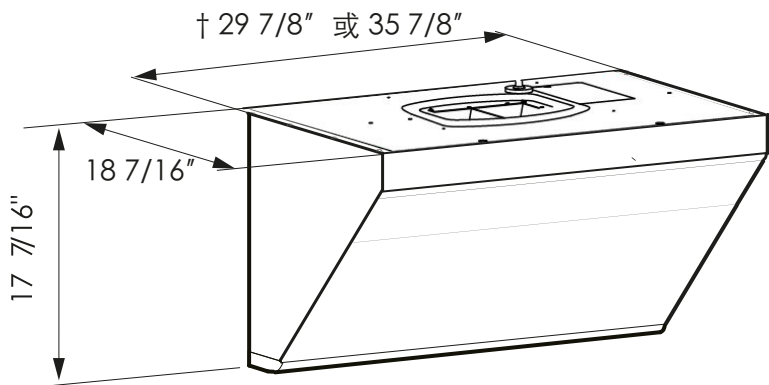
\*此功能适用于所有支持Sync Connect烟灶联动的方太灶具。

\*\*关于Equivalent (等效) CFM, Fotile 等效 CFM 是更高的 CFM 等级, 是由于我们的无过滤技术结合了 WhisPower 电机和 Capture-Shield (蝶衣环吸板) 设计。通过利用这项技术, 方太应用 Coanda Affect 加速排烟和油脂分离, 并提高我们的捕集效率。这使方太能够覆盖更大的灶具表面 (6 平方英尺) 并实现 95% 的油过滤率和 98% 的异味消除率, 让厨房无烟并闻起来清新。

# JQG7507(-Y)(-W) | JQG9007-Y 侧吸智能爆炒Performance油烟机

**FOTILE 方太**  
A BREATH OF FRESH ENGINEERING®

## 产品尺寸



### 产品尺寸及重量

整体宽度	† 29 7/8" 或 35 7/8"
整体高度	17 7/16"
整体深	18 7/16"
净重	64.6 lbs
毛重	78.3 lbs

### 配件 (可选)

柜下装饰板	4", 6"
-------	--------



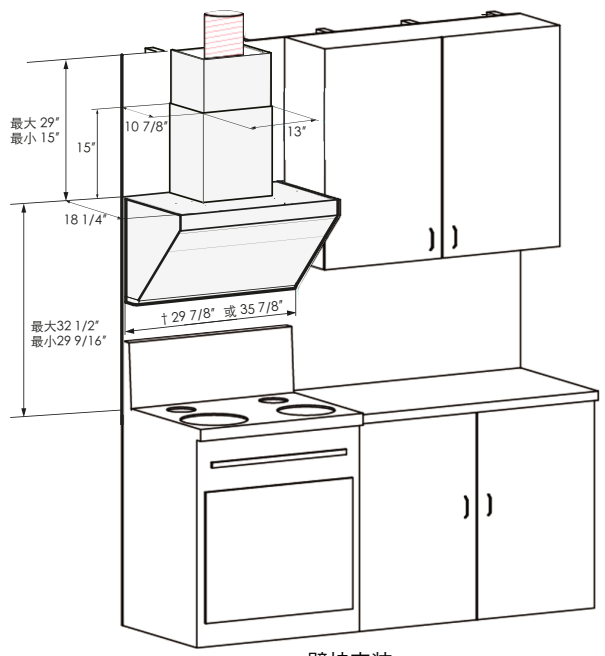
不锈钢或黑色装饰板  
用于调整柜下式安装的高度

壁挂式装饰罩	8', 9', 10'
--------	-------------

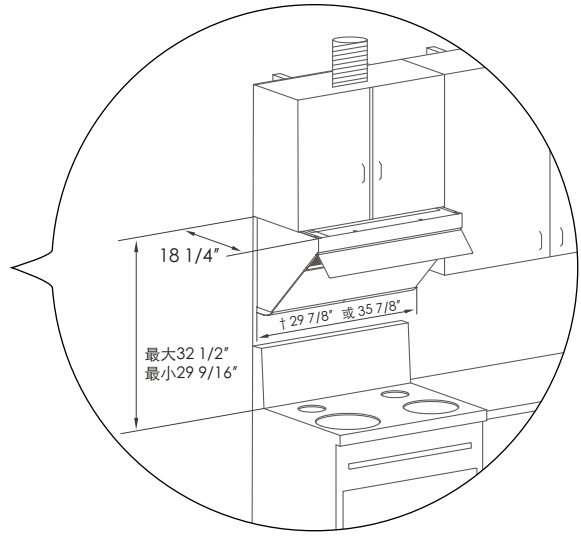


延伸烟道遮盖的装饰板  
适用于壁挂式安装,  
适合 8-10ft 天花板高度

## 安装尺寸



壁挂安装



柜下安装

† JQG7507, JQG7507-Y, 及 JQG7507-W 宽度为 29 7/8 英寸; JQG9007-Y 宽度为 35 7/8 英寸。

配件: 如需购买 FOTILE方太配件和零件, 请查询官网 [us.fotileglobal.com](http://us.fotileglobal.com) 或致电 1(888) 315-0366。  
备注: 所有长度、宽度和厚度的尺寸均以英寸(inch)为单位列出。产品信息可能会有所变动, 请以方太官网发布的最新信息为准。  
保修: 有关有限保修声明, 请参阅用户手册或方太网站。  
如需了解更多关于方太全系列产品的信息: 请访问 [us.fotileglobal.com](http://us.fotileglobal.com) 或致电 1(888) 315-0366。  
©2024 FOTILE America LLC. 版权所有。 FOTILE是方太集团的注册商标。