

ELECTRIC SINGLE AND DOUBLE BUILT-IN OVEN OWNER'S MANUAL MANUEL D'UTILISATION DU FOUR ÉLECTRIQUE SIMPLE ET DOUBLE ENCASTRÉ

Table of Contents/Table des matières

BUILT-IN OVEN SAFETY	2	SÉCURITÉ DU FOUR ENCASTRÉ	22
Built-In Oven Safety	2	Sécurité du four encastré.....	22
OVEN MAINTENANCE AND CARE	5	ENTRETIEN ET RÉPARATION DU FOUR	25
General Cleaning.....	5	Nettoyage général.....	25
Self-Cleaning Cycle.....	5	Programme d'autonettoyage.....	25
Steam Clean (on some models).....	6	Steam Clean (nettoyage à la vapeur) (sur certains modèles).....	27
INSTALLATION INSTRUCTIONS	7	INSTRUCTIONS D'INSTALLATION	27
REQUIREMENTS	7	SPÉCIFICATIONS	27
Tools and Parts	7	Outils et pièces.....	27
Location Requirements	7	Exigence d'emplacement.....	28
Electrical Requirements	12	Spécifications électriques.....	34
INSTALLATION	13	INSTALLATION	35
Prepare Built-In Oven	13	Préparer le four encastré.....	35
Remove Oven Door(s).....	13	Enlever la/les porte(s) du four.....	35
Positioning Oven Feet.....	14	Positionnement des pieds du four.....	36
Make Electrical Connection.....	18	Raccordement électrique.....	40
Install Oven.....	19	Installation du four.....	41
Replace Oven Door(s).....	20	Réinstallation de la/des porte(s) du four.....	43
Complete Installation.....	21	Achever l'installation.....	43

IMPORTANT:

Save for local electrical inspector's use.

IMPORTANT :

À conserver pour consultation par l'inspecteur local des installations électriques.

BUILT-IN OVEN SAFETY

Your safety and the safety of others are very important.

We have provided many important safety messages in this manual and on your appliance. Always read and obey all safety messages.



This is the safety alert symbol.

This symbol alerts you to potential hazards that can kill or hurt you and others.

All safety messages will follow the safety alert symbol and either the word "DANGER" or "WARNING." These words mean:

▲ DANGER

You can be killed or seriously injured if you don't immediately follow instructions.

▲ WARNING

You can be killed or seriously injured if you don't follow instructions.

All safety messages will tell you what the potential hazard is, tell you how to reduce the chance of injury, and tell you what can happen if the instructions are not followed.

IMPORTANT SAFETY INSTRUCTIONS

WARNING: To reduce the risk of fire, electric shock, or injury to persons when using the appliance, follow basic precautions, including the following:

- Proper Installation - The appliance, when installed, must be electrically grounded in accordance with local codes, or in the absence of local codes, with the *National Electrical Code, ANSI/NFPA 70* or the *Canadian Electrical Code, CSA C22.1-02*. In Canada, the appliance must be electrically grounded in accordance with Canadian Electrical Code. Be sure your appliance is properly installed and grounded by a qualified technician.
- Never Use Your Appliance for Warming or Heating the Room.
- Do Not Leave Children Alone - Children should not be left alone or unattended in area where appliance is in use. They should never be allowed to sit or stand on any part of the appliance.
- Wear Proper Apparel – Loose-fitting or hanging garments should never be worn while using the appliance.
- User Servicing – Do not repair or replace any part of the appliance unless specifically recommended in the manual. All other servicing should be referred to a qualified technician.
- Storage in or on Appliance – Flammable materials should not be stored in an oven or near surface units.
- This appliance is not intended for storage.
- Do Not Use Water on Grease Fires – Smother fire or flame or use dry chemical or foam-type extinguisher.
- Do not use replacement parts that have not been recommended by the manufacturer (e.g. parts made at home using a 3D printer).
- Use Only Dry Potholders – Moist or damp potholders on hot surfaces may result in burns from steam. Do not let potholder touch hot heating elements. Do not use a towel or other bulky cloth.
- Use Care When Opening Door – Let hot air or steam escape before removing or replacing food.
- DO NOT TOUCH HEATING ELEMENTS OR INTERIOR SURFACES OF OVEN – Heating elements may be hot even though they are dark in color. Interior surfaces of an oven become hot enough to cause burns. During and after use, do not touch, or let clothing or other flammable materials contact heating elements or interior surfaces of oven until they have had sufficient time to cool. Other surfaces of the appliance may become hot enough to cause burns – among these surfaces are the coil and cooktop elements, oven vent openings and surfaces near these openings, oven doors, and windows of oven doors.
- Do Not Heat Unopened Food Containers – Build-up of pressure may cause container to burst and result in injury.
- Keep Oven Vent Ducts Unobstructed.

SAVE THESE INSTRUCTIONS

IMPORTANT SAFETY INSTRUCTIONS

WARNING: To reduce the risk of fire, electric shock, or injury to persons when using the appliance, follow basic precautions, including the following:

- Placement of Oven Racks – Always place oven racks in desired location while oven is cool. If rack must be moved while oven is hot, do not let potholder contact hot heating element in oven.

For self-cleaning ovens:

- **CAUTION: DO NOT LEAVE FOOD OR COOKING UTENSILS, ETC., IN OVEN DURING THE PYROLYTIC SELF-CLEANING MODE OF OPERATION.**
- Do Not Clean Door Gasket – The door gasket is essential for a good seal. Care should be taken not to rub, damage, or move the gasket.

- Do not use a protective coating to line the oven and do not use commercial oven cleaner unless Certified for use in a self-cleaning oven.
- Clean Only Parts Listed.
- Before Self-Cleaning the Oven – Remove broiler pan and other utensils, and wipe off all excessive spillage.

For smart enabled ranges and ovens:

- Remote Operation – This appliance is configurable to allow remote operation at any time. Do not store any flammable materials or temperature sensitive items inside, on top or near surface units of the appliance.

SAVE THESE INSTRUCTIONS

Internet Connectivity Guide for Connected Appliances Only

IMPORTANT: Proper installation of your appliance prior to use is your responsibility. Be sure to read and follow the installation instructions that came with your appliance.

Connectivity requires Wi-Fi and account creation. App features and functionality are subject to change. Data rates may apply. Once installed, launch the app. You will be guided through the steps to set up a user account and to connect your appliance.

You Will Need:

- A home wireless router supporting Wi-Fi, 2.4 Ghz with WPA2 security. If you are unsure of your router's capabilities, refer to the router manufacturer's instructions.
- The router to be on and have a live internet connection.
- The 10-character SAID code for your appliance. The SAID code is either printed on a label on the appliance or found on the LCD screen.

Federal Communications Commission (FCC) Compliance Notice

This device complies with Part 15 of the FCC Rules. Operation is subject to the following two conditions:

1. This device may not cause harmful interference, and
2. This device must accept any interference received, including interference that may cause undesired operation.

Changes or modifications not expressly approved by the party responsible for compliance could void the user's authority to operate the equipment.

Industry Canada (IC) Compliance Notice

This Device complies with Industry Canada License-exempt RSS standard(s). Operation is subject to the following two conditions:

1. This device may not cause interference.
2. This device must accept any interference, including interference that may cause undesired operation of the device.

Under Industry Canada regulations, this radio transmitter may only operate using an antenna of a type and maximum (or lesser) gain approved for the transmitter by Industry Canada. To reduce potential radio interference to other users, the antenna type and its gain should be so chosen that the equivalent isotropically radiated power (e.i.r.p.) is not more than that necessary for successful communication.

To comply with FCC and Industry Canada RF radiation exposure limits for general population, antenna(s) used for this transmitter must be installed such that a minimum separation distance of 20 cm is maintained between the radiator (antenna) and all persons at all times and must not be co-located or operating in conjunction with any other antenna or transmitter.

If this equipment does cause harmful interference to radio or television reception, which can be determined by turning the equipment off and on, the user is encouraged to try to correct the interference by one of the following measures:

- Reorient or relocate the receiving antenna.
- Increase the separation between the equipment and receiver.
- Connect the equipment into an outlet on a circuit different from that to which the receiver is connected.
- Consult the dealer or an experienced radio/TV technician for help.

OVEN MAINTENANCE AND CARE

General Cleaning

IMPORTANT: Before cleaning, make sure all controls are OFF and the oven is cool. Always follow label instructions on cleaning products.

Soap, water, and a soft cloth or sponge are suggested first unless otherwise noted.

STAINLESS STEEL (on some models)

NOTE: To avoid damage to stainless steel surfaces, do not use soap-filled scouring pads, abrasive cleaners, steel-wool pads, gritty washcloths, or abrasive paper towels. Damage may occur to stainless steel surfaces, even with one-time or limited use.

Cleaning Method:

Rub in direction of grain to avoid damaging.

- Affresh®+ Stainless Steel Cleaner Part Number W10355016 (not included):

See the Quick Start Guide for ordering information.

CONTROL PANEL AND OVEN DOOR EXTERIOR

To avoid damage to the control panel, do not use abrasive cleaners, steel-wool pads, gritty washcloths, or abrasive paper towels.

Cleaning Method:

- Glass cleaner and soft cloth or sponge:
Apply glass cleaner to soft cloth or sponge, not directly on panel.
- Affresh® Kitchen and Appliance Cleaner Part Number W10355010 (not included):
See the Quick Start Guide for ordering information.

NOTE: To clean the trough, the oven door must be removed first. See the "Oven Door" section.

OVEN RACKS

Cleaning Method:

- Steel-wool pad.
- For racks that have discolored and are harder to slide, a light coating of vegetable oil applied to the rack guides will help them slide.

OVEN CAVITY OVEN DOOR INTERIOR

Do not use oven cleaners.

Food spills should be cleaned after the oven cools. At high temperatures, foods react with porcelain, and staining, etching, pitting, or faint white spots can result.

Cleaning Method:

- Self-Cleaning cycle:
See the "Self-Cleaning Cycle" section first. Remove racks or they will discolor and become harder to slide. If this happens, a light coating of vegetable oil applied to the rack guides will help them slide.
- For optimal door cleaning results, wipe away any deposits with a damp sponge before running cycle.

Self-Cleaning Cycle

⚠ WARNING



Burn Hazard

Do not touch the oven during the Self-Cleaning cycle.

Keep children away from the oven during Self-Cleaning cycle.

Failure to follow these instructions can result in burns.

IMPORTANT: The health of some birds is extremely sensitive to the fumes given off during the Self-Cleaning cycle. Exposure to the fumes may result in death to certain birds. Always move birds to another closed and well-ventilated room.

Self-clean the oven before it becomes heavily soiled. Heavy soil results in longer cleaning and more smoke.

Keep the kitchen well-ventilated during the Self-Cleaning cycle to help get rid of heat, odors, and smoke.

Do not block the oven vent(s) during the Self-Cleaning cycle. Air must be able to move freely. See the "Oven Vents" section.

Do not clean, rub, damage, or move the oven door gasket. The door gasket is essential for a good seal.

Prepare Oven:

- Remove the broiler pan, grid, cookware and bakeware, and, on some models, the temperature probe from the oven.
- Remove oven racks to keep them shiny and easy to slide. See the "General Cleaning" section for more information.
- Remove any foil from the oven because it may burn or melt, damaging the oven.
- Hand clean inside door edge and the 1½" (3.8 cm) area around the inside oven cavity frame, being certain not to move or bend the gasket. This area does not get hot enough during high-temp self-cleaning to remove soil. Do not let water, cleaner, etc., enter slots on door frame. Use a damp cloth to clean this area.
- Wipe out any loose soil to reduce smoke and avoid damage. At high temperatures, foods react with porcelain. Staining, etching, pitting, or faint white spots can result. This is normal and will not affect cooking performance.

IMPORTANT:

- Oven temperature must be below 500°F (260°C) to program a clean cycle.
- For double ovens only: Only 1 oven can be cleaned at a time.
- For double ovens only: Both oven doors will lock when either oven is running the Self-Cleaning cycle.

How the Cycle Works

IMPORTANT: The heating and cooling of porcelain on steel in the oven may result in discoloring, loss of gloss, hairline cracks, and popping sounds.

The Self-Cleaning cycle uses very high temperatures, burning soil to a powdery ash.

NOTE: 12 hours must pass before the next Self-Clean can begin.

Once the oven has completely cooled, remove ash with a damp cloth. To avoid breaking the glass, do not apply a cool damp cloth to the inner door glass before it has completely cooled.

The oven lights will not work during the Self-Cleaning cycle.

NOTE: The oven has a two-speed cooling fan motor. During the Self-Cleaning cycle, the fan(s) will operate at its highest speed to increase airflow to better exhaust the hotter air through the oven vent(s). An increase in noise may be noticeable during and after the Self-Cleaning cycle until the oven cools.

Before Self-Cleaning, make sure the door is closed completely or it will not lock and the cycle will not begin. When the oven is locked, the doors of the oven cannot be opened. To avoid damage to the doors, do not force the doors open when the oven is locked.

To Self-Clean:

NOTE: For specific instructions on your model's Self-Clean cycle, please see your model's online Control Guide.

1. Close door, and (for select models) Touch the Tools keypad.
2. Select Self-Clean icon.
3. (For Double-Ovens) Select Upper Cavity or Lower Cavity. On some models, select the "1" or "2" number keypad to select desired oven to clean.
4. Select duration or level of cleaning. This will impact the duration which can range from 3 to 6 hours including cool down. If this model offers "Steam Clean" please check the "Steam Clean" section.
5. (On select models) follow the prompts on the oven display to prepare the oven.
6. Select Start OR (on select models) select Delay Start to set a delayed Self-Cleaning cycle. See the "To Delay Start Self-Cleaning Cycle" section. The oven doors will automatically lock.

NOTE: It may take a couple moments for the oven door to automatically lock after starting the Self-Clean Cycle. The doors will automatically unlock once the Self-Cleaning cycle is complete and the oven is cool.

7. When the oven is completely cooled, remove ash with a damp cloth.

Delay Start: (On select models)

Depending on your model, your oven may be able to Delay Start the Self-Cleaning cycle. You may be able to use one of the methods listed below.

NOTE: For specific instructions on your model's Delay Start Self-Clean cycle, please see your model's online Control Guide.

Version A:

1. Follow steps 1-5 in the "To Self-Clean" section.
2. Select Delay Start.
3. Select the start time of when the Self-Cleaning cycle should begin by scrolling from left to right.
4. Select Start Delay.

The oven doors will automatically lock after the Delay Start countdown. When the Self-Cleaning cycle is complete and the oven cools, the oven doors will unlock.

5. When the oven is completely cooled, remove ash with a damp cloth.

Version B:

1. Close the oven doors, and then press Delay Start.
2. (For Double-Ovens) Select Upper Cavity or Lower Cavity. On some models, select the "1" or "2" number keypad to select the desired oven to clean.
3. Select the number keypads to enter the desired amount of time by which you want to delay the start.
4. Press Self Clean.
5. Select level of cleaning.

6. Select Start for the selected oven.

The oven doors will automatically lock after the Delay Start countdown.

When the Self-Cleaning cycle is complete and the oven cools, the oven doors will unlock.

7. When the oven is completely cooled, remove ash with a damp cloth.

To Stop Self-Cleaning Anytime:

Touch the Oven Cancel Keypad for single oven models, or the keypads for double oven models. If the oven temperature is too high, the door will remain locked. It will not unlock until the oven cools.

Steam Clean (on some models)

The Steam Clean feature is designed for light oven cavity bottom cleaning on models that have hidden bake in both ovens.

Allow the oven to cool to room temperature before using the Steam Clean feature. If your oven cavity is above 200°F (93°C), the Steam Clean feature will not activate until it cools down.

Remove all racks and accessories from the oven cavity.

For best results, use 10 oz (295.7 mL) of distilled or filtered water. Do not use oven cleaners.

The Steam Clean feature will take approximately 1 hour. A tone will sound at the end of the cycle.

IMPORTANT: Because the water in the oven bottom is hot, do not open the oven door during the Steam Clean cycle.

Touch the Oven Cancel keypad for single oven models and the Upper/Lower keypads for double oven models at any time to end the cycle. The display will return to the time of day.

Helpful Hints

- Once the Steam Clean cycle is complete and the oven is completely cooled, remove all remaining water in the bottom of the oven with a sponge or cloth.
- Wipe any remaining moisture from the oven door interior, oven cavity interior sides, and cooktop.
- Use a soft brush or nylon scrubber to wipe the oven interior. This may help with more stubborn stains.
- It is recommended to use distilled or filtered water, as tap water may leave mineral deposits on the oven bottom. Use a cloth soaked with vinegar or lemon juice to remove any mineral deposits that may be left after the Steam Clean cycle.
- If the oven is heavily soiled, use the Self-Cleaning cycle. The Steam Clean cycle may be used first to eliminate most of the debris, resulting in a more effective self-cleaning.

To Steam Clean:

1. Open the oven door of the selected oven and remove all racks and accessories from the oven cavity.
2. Pour 10 oz (295.7 mL) of distilled or filtered water into the oven bottom. Then close the oven door.
3. Touch the Tools keypad.
(On double-oven models) Select Upper Cavity or Lower Cavity.
4. Select STEAM CLEAN.
5. Select START.
6. After approximately 1 hour, a tone will sound to signal the end of the cycle. Touch the keypad for single oven models and the keypads for double oven models to clear the display.
7. When the oven is completely cooled, remove any excess water with a sponge or cloth and wipe down oven interior. If needed, use a non-scratch copper scrubbing pad to remove stubborn soils.

INSTALLATION INSTRUCTIONS

REQUIREMENTS

Tools and Parts

Gather the required tools and parts before starting installation. Read and follow the instructions provided with any tools listed here.

Gather the required tools and parts before starting installation. Read and follow the instructions provided with any tools listed here.

Tools Needed

- Phillips screwdriver
- Measuring tape
- Hand or electric drill (for wall cabinet installations)
- 1" (2.5 cm) drill bit (for wall cabinet installations)
- Level
- Flat-blade screwdriver

Parts Needed

- UL listed or CSA-approved conduit connector
- UL listed wire connectors

Parts Supplied

- #8-18 x 3/4" (1.9 cm) screws - single ovens (2), double ovens (4)
- #8-18 x 3/8" (9.5 mm) screws - bottom vent (2)
- #8-18 x 3/8" (9.5 mm) screws - bottom vent shield (2)
- #8-18 x 3/8" (9.5 mm) screws - plastic feet (4)
- Rear feet - double oven (2)
- Front feet - double oven (2)
- Bottom vent shield
- Bottom vent trim

Check local codes. Check existing electrical supply. See the "Electrical Requirements" section.

It is recommended that all electrical connections be made by a licensed, qualified electrical installer.

NOTE: Be sure to purchase only JennAir factory-certified parts and accessories for your appliance. Your installation may require additional parts. To order, refer to the contact information referenced in your Quick Start Guide.

Location Requirements

IMPORTANT: Observe all governing codes and ordinances.

- To eliminate the risk of burns or fire by reaching over heated surface units, cabinet storage space located above the surface units should be avoided. If cabinet storage is to be provided, the risk can be reduced by installing a range hood that projects horizontally a minimum of 5" (12.7 cm) inches beyond the bottom of the cabinets.
- Cabinet opening dimensions that are shown must be used. Given dimensions provide minimum clearance with oven.
- Recessed installation area must provide complete enclosure around the recessed portion of the oven.
- Grounded electrical supply is required. See "Electrical Requirements" section.

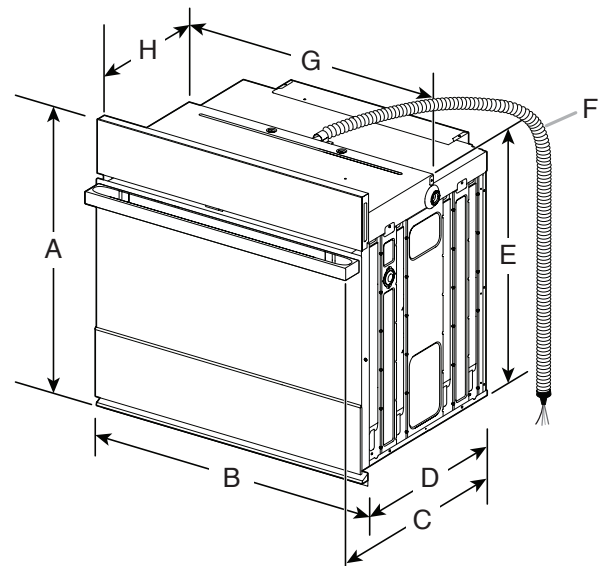
- Electrical supply junction box should be located 3" (7.6 cm) maximum below the support surface when the oven is installed in a wall cabinet. A 1" (2.5 cm) minimum diameter hole should have been drilled in the right rear or left rear corner of the support surface to pass the appliance cable through to the junction box.

NOTE: For undercounter installation, it is recommended that the junction box be located in the adjacent right or left cabinet. If you are installing the junction box on rear wall behind oven, it is recommended that the junction box be recessed and located in the upper center of the cabinet.

- Oven support surface must be solid, level and flush with bottom of cabinet cutout.
- Floor must be able to support a single oven weight of 200 lbs (91 kg) for 30" (76.2 cm) models.
- Floor must be able to support a double oven weight of 330 lbs (150 kg) for 30" (76.2 cm) models.

IMPORTANT: To avoid damage to your cabinets, check with your builder or cabinet supplier to make sure that the materials used will not discolor, delaminate or sustain other damage. This oven has been designed in accordance with the requirements of UL and CSA International and complies with the maximum allowable wood cabinet temperatures of 194°F (90°C).

Product Dimensions - Single Ovens



27" (68.6 cm) models

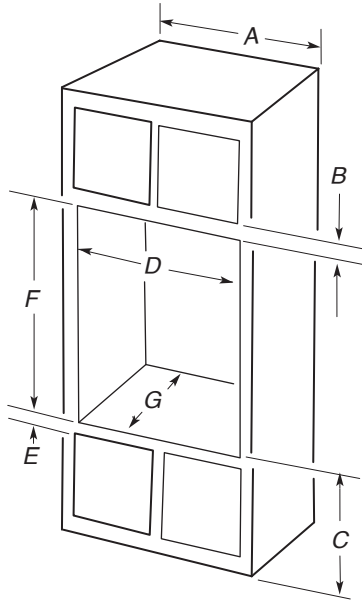
- A. 30³/₁₆" (76.6 cm) maximum overall height
- B. 27" (68.6 cm) overall width
- C. For Noir models - 26³/₈" (67 cm)
For Raise models - 27³/₁₆" (69 cm)
- D. 23¹/₄" (59.1 cm) maximum recessed depth
- E. 26" (66 cm) recessed height
- F. 48" (121.9 cm) flexible conduit length
- G. 25¹/₂" (64.7 cm) maximum recessed width
- H. 12" (30.5 cm) from back of control panel to start of strain relief

30" (76.2 cm) models

- A. 30³/₁₆" (76.6 cm) maximum overall height
- B. 29³/₄" (75.6 cm) overall width
- C. For Noir models - 26³/₈" (67 cm)
For Raise models - 27³/₁₆" (69 cm)
- D. 23¹/₄" (59.1 cm) maximum recessed depth
- E. 26" (66 cm) recessed height
- F. 48" (121.9 cm) flexible conduit length
- G. 28⁷/₁₆" (72.2 cm) maximum recessed width
- H. 12" (30.5 cm) from back of control panel to start of strain relief

Cabinet Dimensions - Single Ovens, Standard Installation

Single Ovens Installed in Cabinet



27" (68.6 cm) models

- A. 27" (68.6 cm) minimum cabinet width
- B. $2\frac{3}{16}$ " (5.5 cm) top of cutout to bottom of upper cabinet door
- C. 32" (81.3 cm) bottom of cutout to floor
- D. $25\frac{1}{2}$ " (64.8 cm) minimum cutout width
- E. $1\frac{1}{2}$ " (3.8 cm) minimum bottom of cutout to top of cabinet door
- F. 28" (71.2 cm)* recommended cutout height
- G. 24" (60.7 cm) cutout depth

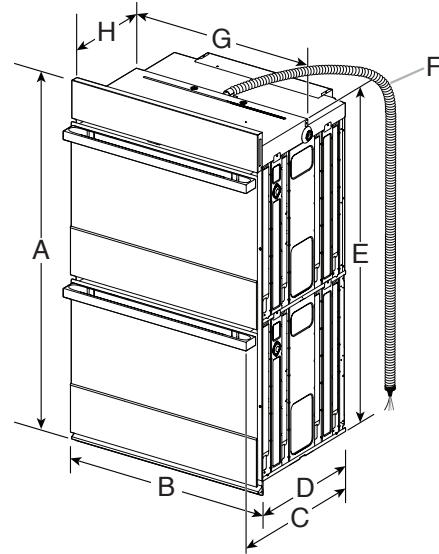
30" (76.2 cm) models

- A. 30" (76.2 cm) minimum cabinet width
- B. $2\frac{3}{16}$ " (5.5 cm) top of cutout to bottom of upper cabinet door
- C. 32" (81.3 cm) bottom of cutout to floor
- D. $28\frac{1}{2}$ " (72.4 cm) minimum cutout width
- E. $1\frac{1}{2}$ " (3.8 cm) minimum bottom of cutout to top of cabinet door
- F. 28" (71.2 cm)* recommended cutout height
- G. 24" (60.7 cm) cutout depth

*NOTE: The cutout height can be between $27\frac{1}{4}$ " and $29\frac{7}{16}$ " (69.2 cm and 74.8 cm) for single ovens.

NOTE: Contact service to get tall bottom vent shield for cutouts taller than $28\frac{11}{16}$ " (72.9 cm) to enhance installation.

Product Dimensions - Double Ovens



27" (68.6 cm) models

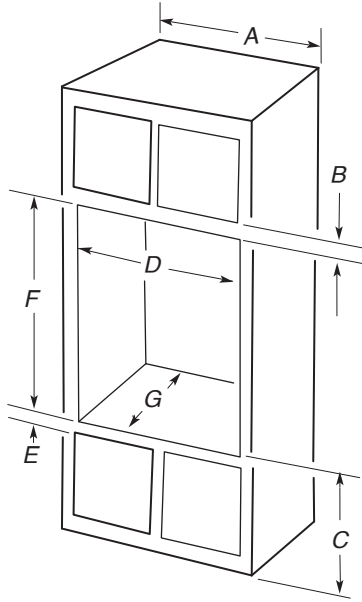
- A. 53" (134.5 cm) maximum overall height
- B. 27" (68.6 cm) overall width
- C. For Noir models - $26\frac{3}{8}$ " (67 cm)
For Rise models - $27\frac{3}{16}$ " (69 cm)
- D. $23\frac{1}{4}$ " (59.1 cm) maximum recessed depth
- E. $48\frac{3}{4}$ " (123.8 cm) recessed height
- F. 66" (167.6 cm) flexible conduit length
- G. $25\frac{1}{2}$ " (64.7 cm) maximum recessed width
- H. 12" (30.5 cm) from back of control panel to start of strain relief

30" (76.2 cm) models

- A. 53" (134.5 cm) maximum overall height
- B. $29\frac{3}{4}$ " (75.6 cm) overall width
- C. For Noir models - $26\frac{3}{8}$ " (67 cm)
For Rise models - $27\frac{3}{16}$ " (69 cm)
- D. $23\frac{1}{4}$ " (59.1 cm) maximum recessed depth
- E. $48\frac{3}{4}$ " (123.8 cm) recessed height
- F. 66" (167.6 cm) flexible conduit length
- G. $28\frac{7}{16}$ " (72.2 cm) maximum recessed width
- H. 12" (30.5 cm) from back of control panel to start of strain relief

Cabinet Dimensions - Double Ovens, Standard Installation

Double Ovens Installed in Cabinet



27" (68.6 cm) models

- A. 27" (68.6 cm) minimum cabinet width
- B. $2\frac{3}{16}$ " (5.5 cm) top of cutout to bottom of upper cabinet door
- C. $14\frac{3}{4}$ " (37.5 cm) bottom of cutout to floor is recommended.
4"- $14\frac{3}{4}$ " (10.2 cm - 37.5 cm) bottom of cutout to floor is acceptable.
- D. $25\frac{1}{2}$ " (64.8 cm) minimum cutout width
- E. $1\frac{1}{2}$ " (3.8 cm) minimum bottom of cutout to top of cabinet door
- F. $50\frac{1}{4}$ " (127.6 cm)* recommended cutout height
- G. 24" (60.7 cm) cutout depth

30" (76.2 cm) models

- A. 30" (76.2 cm) minimum cabinet width
- B. $2\frac{3}{16}$ " (5.5 cm) top of cutout to bottom of upper cabinet door
- C. $14\frac{3}{4}$ " (37.5 cm) bottom of cutout to floor is recommended.
4"- $14\frac{3}{4}$ " (10.2 cm - 37.5 cm) bottom of cutout to floor is acceptable.
- D. $28\frac{1}{2}$ " (72.4 cm) minimum cutout width
- E. $1\frac{1}{2}$ " (3.8 cm) minimum bottom of cutout to top of cabinet door
- F. $50\frac{1}{4}$ " (127.6 cm)* recommended cutout height
- G. 24" (60.7 cm) cutout depth

***NOTE:** The cutout height can be between 50" and $52\frac{3}{16}$ " (127 cm and 132.6 cm) for double ovens.

NOTE: Contact service to get tall bottom vent shield for cutouts taller than $50\frac{3}{8}$ " (128 cm) to enhance installation.

Cabinet Dimensions - Single Ovens, Flush Installations

NOTE: This is an alternate option to install your product in the cabinet and obtain a flush look. For standard installation, refer section "Cabinet Dimensions - Single Ovens, Standard Installation".

A 25" (63.5 cm) minimum cutout depth is required.

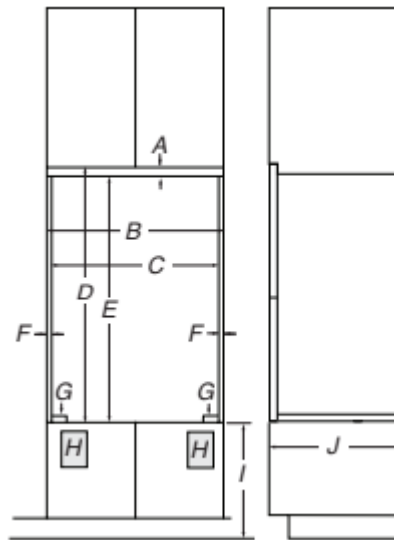
Top and bottom gaps will be $\frac{1}{8}$ " (0.3 cm) gap above and below the product. Top and bottom gaps not required for installation. Exposed areas of the cabinet should be finished to match.

The front face of the cleats and platform will be visible and should be treated as a finished surface.

Single Ovens Installed in Cabinet

Front View

Side View



27" (68.6 cm) Models

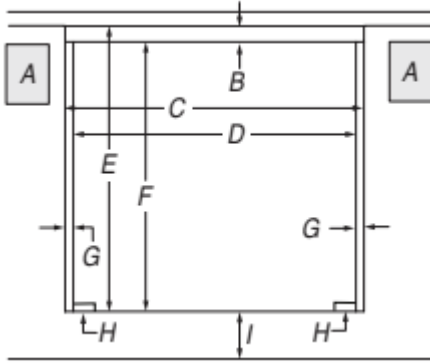
- A. $\frac{3}{4}$ " (1.9 cm) top cleat*
- B. $27\frac{1}{4}$ " (69.2 cm) minimum width of flush inset cutout
- C. $25\frac{7}{8}$ " (65.7 cm) minimum width of opening
- D. $30\frac{7}{16}$ " (77.3 cm) minimum height of flush inset cutout
- E. $29\frac{11}{16}$ " (75.4 cm) recommended cutout height
- F. $11\frac{1}{16}$ " (1.7 cm) side cleat*
- G. $\frac{1}{4}$ " (0.6 cm) recommended with foot. $15\frac{1}{16}$ " to $1\frac{1}{8}$ " (2.2 cm to 2.9 cm) allowable without foot*
- H. Recommended junction box location
- I. $4\frac{5}{8}$ "-32" (11.7-81.3 cm) bottom of cutout to floor
- J. 25" (63.5 cm) minimum depth of cutout

30" (76.2 cm) Models

- A. $\frac{3}{4}$ " (1.9 cm) top cleat*
- B. $30\frac{1}{4}$ " (76.8 cm) minimum width of flush inset cutout
- C. $28\frac{7}{8}$ " (73.3 cm) minimum width of opening
- D. $30\frac{7}{16}$ " (77.3 cm) minimum height of flush inset cutout
- E. $29\frac{11}{16}$ " (75.4 cm) recommended cutout height
- F. $11\frac{1}{16}$ " (1.7 cm) side cleat*
- G. $\frac{1}{4}$ " (0.6 cm) recommended with foot. $15\frac{1}{16}$ " to $1\frac{1}{8}$ " (2.2 cm to 2.9 cm) allowable without foot*
- H. Recommended junction box location
- I. $4\frac{5}{8}$ "-32" (11.7-81.3 cm) bottom of cutout to floor
- J. 25" (63.5 cm) minimum depth of cutout

*Cleats and spacers must be recessed $1\frac{3}{8}$ " (3.5 cm) from the front of the cabinet.

Single Ovens Undercounter - without cooktop installed above



Front View

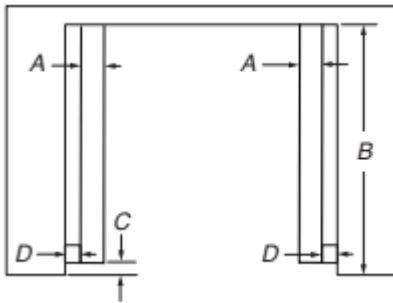
27" (68.6 cm) Models

- A. Recommended junction box location
- B. 3/4" (1.9 cm) top cleat*
- C. 27 1/4" (69.2 cm) minimum width of flush inset cutout
- D. 25 7/8" (65.7 cm) minimum width of opening
- E. 29 1/4" (74.3 cm) minimum height of flush inset cutout
- F. 28 1/2" (72.4 cm) recommended cutout height
- G. 11/16" (1.7 cm) side cleat*
- H. 1/4" x 2" (6.4 mm x 5.1 cm) spacer the entire depth of the cabinet*
- I. 4 5/8" (11.7 cm) bottom of cutout to floor

30" (76.2 cm) Models

- A. Recommended junction box location
- B. 3/4" (1.9 cm) top cleat*
- C. 30 1/4" (76.8 cm) minimum width of flush inset cutout
- D. 28 7/8" (73.3 cm) minimum width of opening
- E. 29 1/4" (74.3 cm) minimum height of flush inset cutout
- F. 28 1/2" (72.4 cm) recommended cutout height
- G. 11/16" (1.7 cm) side cleat*
- H. 1/4" x 2" (6.4 mm x 5.1 cm) spacer the entire depth of the cabinet*
- I. 4 5/8" (11.7 cm) bottom of cutout to floor

*Cleats and spacers must be recessed 1 3/8" (3.5 cm) from the front of the cabinet.



Top View

27" (68.6 cm) Models

- A. 2" (5.1 cm) spacer the entire depth of the cutout*
- B. 25" (63.5 cm) depth of cutout
- C. 1 3/8" (3.5 cm) recess from front of cabinet
- D. 11/16" (1.7 cm) side cleat*

30" (76.2 cm) Models

- A. 2" (5.1 cm) spacer the entire depth of the cutout*
- B. 25" (63.5 cm) depth of cutout
- C. 1 3/8" (3.5 cm) recess from front of cabinet
- D. 11/16" (1.7 cm) side cleat*

*Cleats and spacers must be recessed 1 3/8" (3.5 cm) from the front of the cabinet.

Cabinet Dimensions - Double Ovens, Flush Installations

NOTE: This is an alternate option to install your product in the cabinet and obtain a flush look. For standard installation, refer section "Cabinet Dimensions - Double Ovens, Standard Installation".

A 25 3/8" (64.4 cm) minimum cutout depth is required.

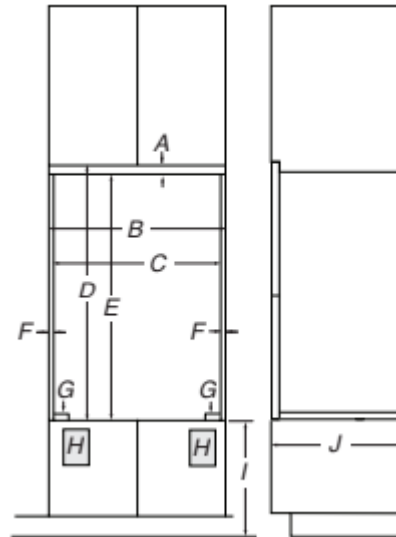
Top and bottom gaps will be 1/8" (0.3 cm) gap above and below the product. Top and bottom gaps not required for installation. Exposed areas of the cabinet should be finished to match.

The front face of the cleats and platform will be visible and should be treated as a finished surface.

Double Ovens Installed in Cabinet

Front View

Side View



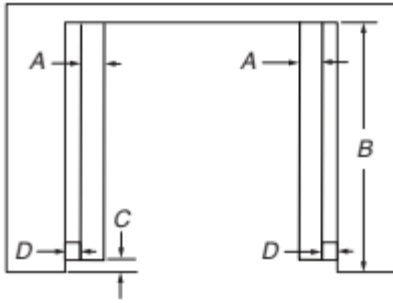
27" (76.2 cm) Models

- A. 3/4" (1.9 cm) top cleat*
- B. 27 1/4" (69.2 cm) minimum width of flush inset cutout
- C. 25 7/8" (65.7 cm) minimum width of opening
- D. 53 3/16" (135 cm) minimum height of flush inset cutout
- E. 52 3/8" (133.1 cm) recommended cutout height
- F. 11/16" (1.7 cm) side cleat*
- G. 1/4" (0.6 cm) recommended with foot. 15/16" to 1 1/16" (2.2 cm to 2.7 cm) allowable without foot*
- H. Recommended junction box location
- I. 4 5/8"-14 3/4" (11.7-37.5 cm) bottom of cutout to floor
- J. 25" (63.5 cm) minimum depth of cutout

30" (76.2 cm) Models

- A. 3/4" (1.9 cm) top cleat*
- B. 30 1/4" (76.8 cm) minimum width of flush inset cutout
- C. 28 7/8" (73.3 cm) minimum width of opening
- D. 53 3/16" (135 cm) minimum height of flush inset cutout
- E. 52 3/8" (133.1 cm) recommended cutout height
- F. 11/16" (1.7 cm) side cleat*
- G. 1/4" (0.6 cm) recommended with foot. 15/16" to 1 1/16" (2.2 cm to 2.7 cm) allowable without foot*
- H. Recommended junction box location
- I. 4 5/8"-32" (11.7-81.3 cm) bottom of cutout to floor
- J. 25" (63.5 cm) minimum depth of cutout

*Cleats and spacers must be recessed 1 3/8" (3.5 cm) from the front of the cabinet.



Top View

27" (68.6 cm) Models

- A. 2" (5.1 cm) spacer the entire depth of the cutout*
- B. 25" (63.5 cm) depth of cutout
- C. 1³/₈" (3.5 cm) recess from front of cabinet
- D. 11/16" (1.7 cm) side cleat*

30" (76.2 cm) Models

- A. 2" (5.1 cm) spacer the entire depth of the cutout*
- B. 25" (63.5 cm) depth of cutout
- C. 1³/₈" (3.5 cm) recess from front of cabinet
- D. 11/16" (1.7 cm) side cleat*

*Cleats and spacers must be recessed 1³/₈" (3.5 cm) from the front of the cabinet.

Cutout Dimensions For Ovens Installed Under Cooktop

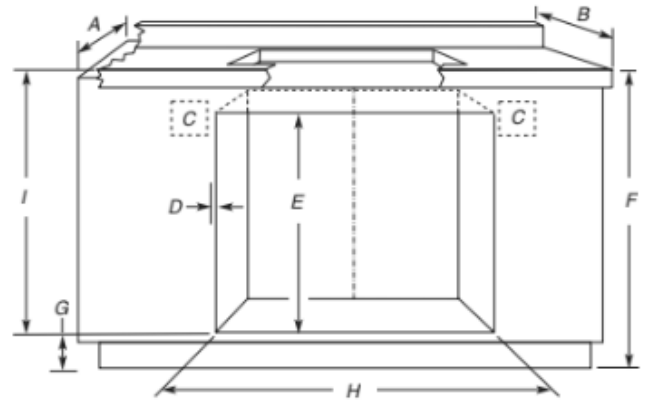
IMPORTANT: Observe all governing codes and ordinances. Cooktop must be approved for use over an oven. See cooktop Installation Instructions for cutout dimensions. Center the cooktop cutout over oven cutout.

Undercounter Installation (With Cooktop Installed Above):

Ovens approved for this type of installation have an approval label located on the top of the oven.

To avoid damage to your cabinets, check with your builder or cabinet supplier to make sure that the materials used will not discolor, delaminate or sustain other damage. This oven has been designed in accordance with UL and CSA International and complies with the maximum allowable wood cabinet temperatures of 194°F (90°C).

Approved Built-In Oven and Electric Radiant/Coil/Induction Cooktop Combinations or without cooktop installed above oven



- A. 24" (61 cm) cabinet depth
- B. 25" (63.5 cm) countertop depth
- C. Recommended oven and cooktop junction box locations
- D. Allow 5/8" (1.6 cm) for oven trim to overlap on each side.
- E. 27³/₄" (70.5 cm) minimum cutout height
- F. 36" (91.4 cm) from cabinet base to countertop
- G. 4¹/₂" (11.4 cm) maximum from cabinet base with feet installed. If dimension "F" is greater than 36" (91.4 cm), dimension "G" can be increased the same difference for induction combinations
- H. See Cutout Dimensions chart
- I. 31³/₈" (82.2 cm) from top of countertop to bottom of cutout

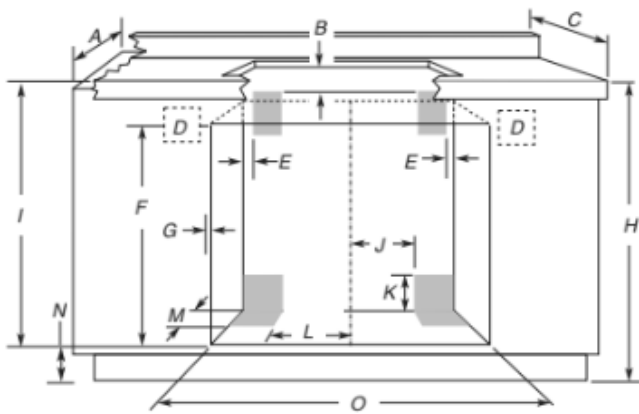
CUTOUT DIMENSIONS (H)

Oven Size	Minimum Oven Cutout Dimension
24" (61 cm)	22 ¹ / ₂ " (57.2 cm)
27" (68.6 cm)	25 ¹ / ₂ " (64.8 cm)
30" (76.2 cm)	28 ¹ / ₂ " (72.4 cm)

For the approved model number combinations, refer to the undercounter label located on top of the oven chassis and on the bottom of the cooktop burner box.

NOTE: For undercounter installation, it is recommended that the junction boxes for oven and cooktop be located in the adjacent right or left cabinet. A 1" (2.5 cm) minimum diameter hole should have been drilled in the upper rear right or left corner of the side wall surface to pass the appliance cable through to the junction box.

Approved Built-In Oven and Gas Cooktop Combinations



- A. 24" (61 cm) cabinet depth
- B. 1" (2.5 cm) clearance to bottom of countertop
- C. 25" (63.5 cm) countertop depth
- D. Recommended oven junction box locations
- E. 1" (2.5 cm) clearance to cabinet
- F. 27³/₄" (70.5 cm) minimum cutout height
- G. Allow 5/8" (1.6 cm) for oven trim to overlap on each side.
- H. 36" (91.4 cm) from cabinet base to countertop
- I. 31³/₈" (79.7 cm) from top of countertop to bottom of cutout
- J. Gas line through wall 10¹/₂" (26.7 cm) to center of cutout
- K. 3¹/₄" (8.3 cm)
- L. Gas line through floor 10¹/₂" (26.7 cm) to center of cutout
- M. 3¹/₂" (8.9 cm)
- N. 4¹/₂" (11.4 cm) maximum from cabinet base with feet installed
- O. See Cutout Dimensions chart

CUTOUT DIMENSIONS (O)

Oven Size	Minimum Oven Cutout Dimension
24" (61 cm)	22 ¹ / ₂ " (57.2 cm)
27" (68.6 cm)	25 ¹ / ₂ " (64.8 cm)
30" (76.2 cm)	28 ¹ / ₂ " (72.4 cm)
36" (91.4 cm)	34 ¹ / ₂ " (87.6 cm)

For the approved model number combinations, refer to the undercounter label located on top of the oven chassis.

NOTE: For undercounter installation, it is recommended that the junction box for oven be located in the adjacent right or left cabinet. A 1" (2.5 cm) minimum diameter hole should have been drilled in the upper rear right or left corner of the side wall surface to pass the appliance cable through to the junction box.

The upper shaded areas are recommended locations for recessed junction box for 120 V grounded outlet for cooktop.

Lower shaded areas are recommended locations for flexible or rigid gas pipe installation. The gas connection on the cooktop is on the right (same location as "J" in the above diagram). The gas pipe can be installed on either side of the cutout, and either through the floor or through the wall. Refer to local codes regarding the use of gas lines.

Electrical Requirements

⚠ WARNING



Electrical Shock Hazard

Electrically ground appliance.

Failure to do so could result in death, fire, or electrical shock.

If codes permit and a separate ground wire is used, it is recommended that a qualified electrical installer determine that the ground path and the wire gauge are in accordance with local codes.

Check with a qualified electrical installer if you are not sure the oven is properly grounded.

This oven must be connected to a grounded metal, permanent wiring system.

Be sure that the electrical connection and wire size are adequate and in conformance with the National Electrical Code, ANSI/NFPA 70-latest edition or CSA Standards C22.1-94, Canadian Electrical Code, Part 1 and C22.2 No. O-M91-latest edition, and all local codes and ordinances.

A copy of the above code standards can be obtained from:

National Fire Protection Association
1 Batterymarch Park
Quincy, MA 02169-7471

CSA International
8501 East Pleasant Valley Road
Cleveland, OH 44131-5575

Electrical Connection

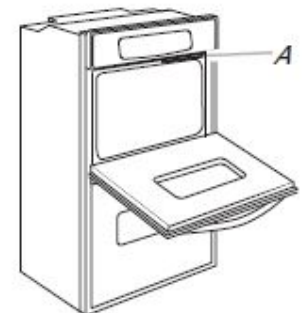
To properly install your oven, you must determine the type of electrical connection you will be using and follow the instructions provided for it here.

- Oven must be connected to the proper electrical voltage and frequency as specified on the model/serial/rating plate. The model/serial/rating plate is located under the control panel on single ovens and under the control panel on the upper oven cavity on double ovens. See the following illustrations.



Single oven

A. Model/serial/rating plate



Double oven

A. Model/serial/rating plate

- Models rated from 7.3 to 9.6 kW at 240 V (5.4 to 7.4 kW at 208 V) require a separate 40 A circuit. Models rated at 4.8 kW and below at 240 V (3.6 kW and below at 208 V) require a separate 20 A circuit.

- A circuit breaker is recommended.
- Connect directly to the fused disconnect (or circuit breaker box) through flexible, armored, or nonmetallic sheathed, copper cable (with grounding wire). See "Make Electrical Connection" section.
- Flexible conduit from the oven should be connected directly to the junction box.
- Fuse both sides of the line.
- Do not cut the conduit. The length of conduit provided is for serviceability of the oven.
- A UL listed or CSA-approved conduit connector must be provided.
- If the house has aluminum wiring, follow the procedure below: Connect the aluminum wiring using special connectors and/or tools designed and UL listed for joining copper to aluminum. Follow the electrical connector manufacturer's recommended procedure. Aluminum/copper connection must conform with local codes and industry-accepted wiring practices.

INSTALLATION

Prepare Built-In Oven

1. Decide on the final location for the oven. Avoid drilling or cutting into house wiring during installation.

⚠WARNING

Excessive Weight Hazard

Use two or more people to move and install or uninstall appliance.

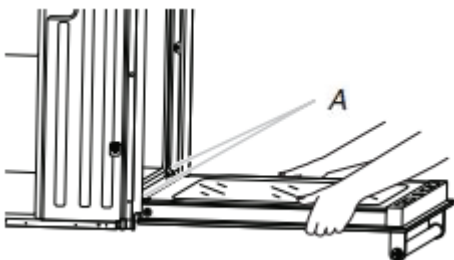
Failure to do so can result in back or other injury.

2. To avoid floor damage, set the oven onto cardboard prior to installation. Do not use handle or any portion of the front frame for lifting.
3. Remove the shipping materials and tape from the oven. Remember to keep the corner posts and other materials that may be needed for installation.
4. Remove the hardware package from inside the bag containing literature.
5. Remove and set aside racks, attachments, and other parts from inside the oven.
6. Move oven and cardboard close to the oven's final location.

Remove Oven Door(s)

IMPORTANT: Use 2 hands to remove oven door. For double ovens, repeat the process for each door.

1. Prior to removing the oven door, prepare a surface where you will place it. This surface should be flat and covered with a soft blanket, or use the corner posts from your packaging material.
2. Fully open the oven door.

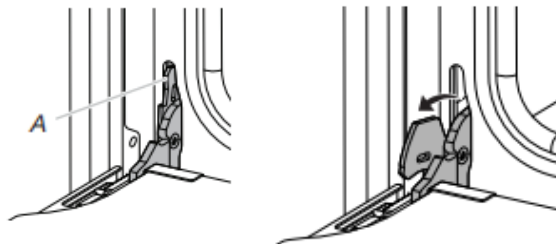


A. Door hinges

3. Locate the oven door hinge locks in both corners of the oven door, and rotate the hinge locks toward the oven door to the unlocked position. If the door hinge lock is not rotated fully (see unlocked position in illustration), the door will not remove properly.

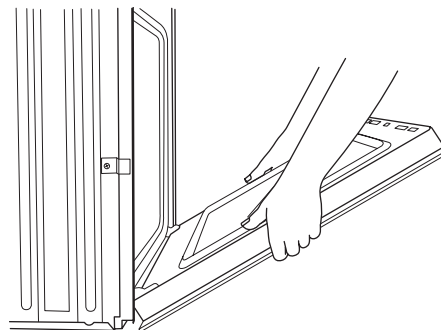
Oven door hinge lock in locked position

Oven door hinge lock in unlocked position

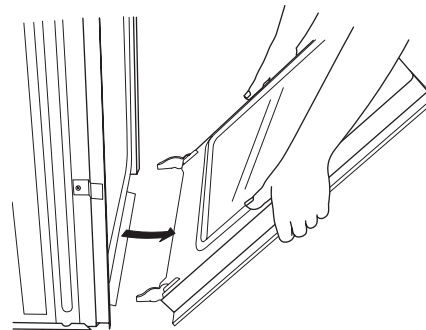


A. Grip here to rotate

4. Gently start to close the door. The door will stop at a partially closed position.



5. Using 2 hands, grasp the edges of the oven door. Close the oven door slightly past the stop position to take the weight off of the door hinges, and then pull the oven door up.



6. Pull the oven door toward you, and then remove. You may need to gently shift door from side to side as you pull.
7. Set the oven door aside on the prepared covered work surface with the oven door resting on its handle.
8. To continue with the oven installation, go to the "Positioning Oven Feet for Multiple Cabinet Cutout Heights" section.

Positioning Oven Feet for Multiple Cabinet Cutout Heights

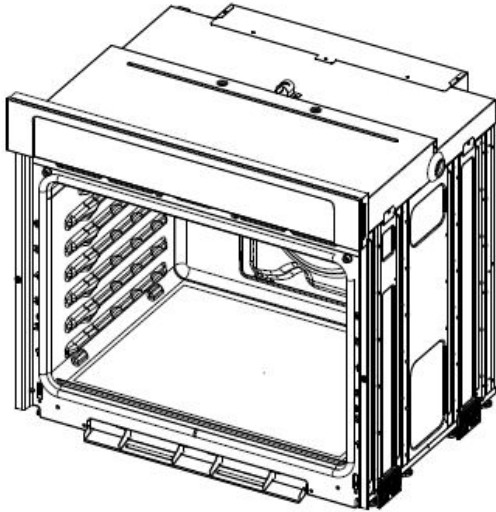
Single Ovens

The positioning of the oven feet allow a single oven to be installed in a cutout height between $26\frac{15}{16}$ " and $29\frac{7}{16}$ " (68.4 cm and 74.8 cm). Refer to the following instructions to position the feet for the size of your cabinet cutout.

Cutout Height is Between $27\frac{5}{8}$ " and $28\frac{5}{8}$ " (70.2 cm and 72.7 cm)

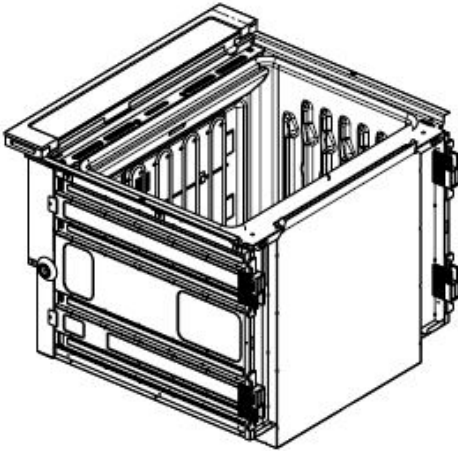
The oven feet do not need to be changed. They are positioned correctly as received.

Go to the "Make Electrical Connection" section.



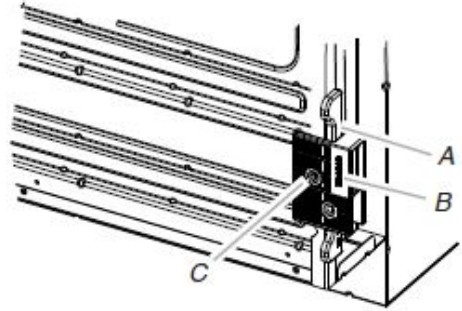
Cutout Height is Between $27\frac{1}{4}$ " and $27\frac{11}{16}$ " (69.2 cm and 70.3 cm)

1. Using 2 or more people, place the oven on its back on a covered surface.



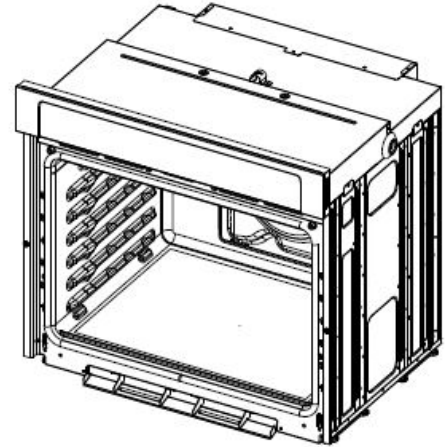
2. Remove the foot from the right front spacer by removing the #8-18 x 3/8" (9.5 mm) screw.

NOTE: Do not remove the spacer.



- A. Spacer
- B. Foot
- C. #8-18 x 3/8" (9.5 mm) screw

3. In the same manner, remove the feet on the right rear, left front, and left rear of the oven.
4. Using 2 or more people, place the oven in its upright position.

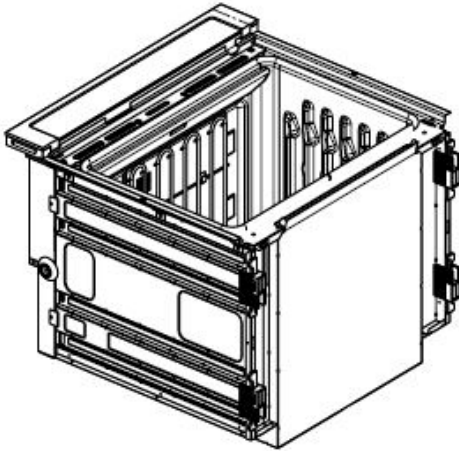


5. Go to the "Make Electrical Connection" section.

Cutout Height is between 28¹¹/₁₆" and 29⁷/₁₆" (72.8 cm and 74.8 cm)

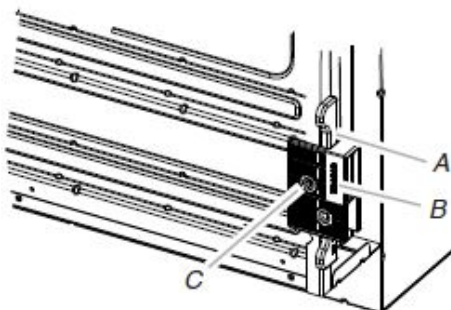
NOTE: A tall bottom vent shield can be ordered to replace the shield that came with the unit as an optional bottom aesthetic. The oven will function properly with either shield. Please refer to your Quick Start Guide for the service number to call and request at no charge.

1. Using 2 or more people, place the oven on its back on a covered surface.



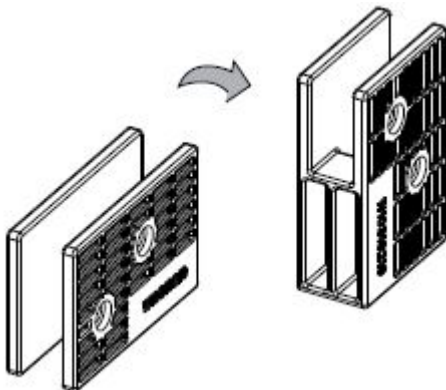
2. Remove the foot from the right front spacer by removing the #8-18 x 3/8" (9.5 mm) screw.

NOTE: Do not remove the spacer.



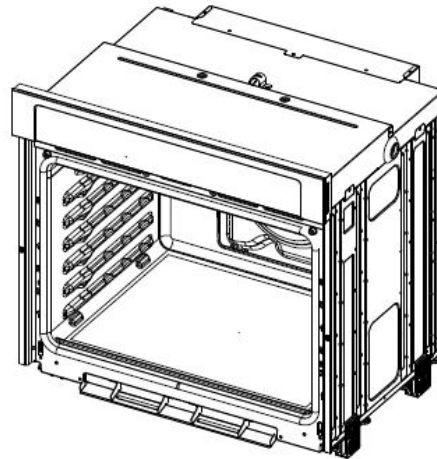
- A. Spacer
- B. Foot
- C. #8-18 x 3/8" (9.5 mm) screw

3. Rotate the foot 90° so the short side of the foot is positioned toward the top of the oven.



4. Reinstall the foot to the spacer using the #8-18 x 3/8" (9.5 mm) screw previously removed.

5. In the same manner, remove, rotate and reinstall the feet on the right rear, left front, and left rear of the oven.
6. Using 2 or more people, place the oven in its upright position.



7. Go to the "Make Electrical Connection" section.

Double Ovens

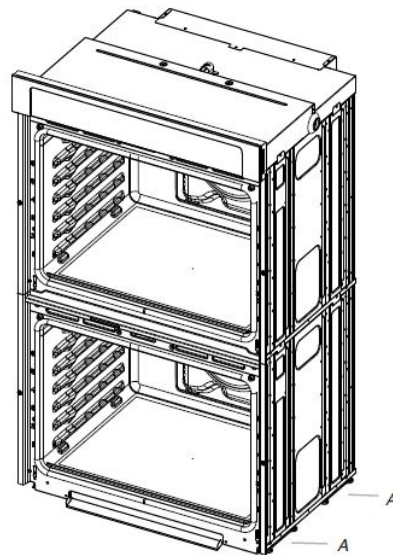
The positioning of the oven feet allow a double oven to be installed in a cutout height between 48⁷/₈" and 52³/₁₆" (124.1 cm and 132.6 cm). Refer to the following instructions to position the feet for the size of your cabinet cutout.

Cutout Height is Between 50" and 50⁷/₁₆" (127 cm and 128.1 cm)

The oven feet do not need to be installed. The oven is configured correctly as received.

NOTE: Do not remove the spacers.

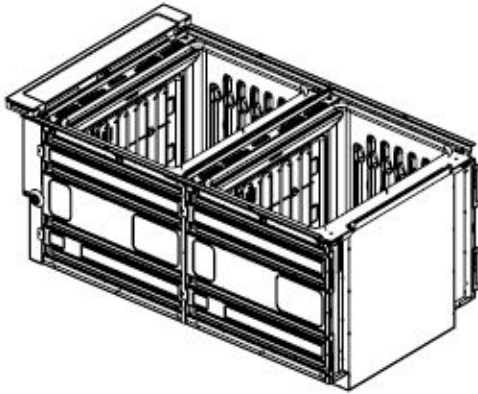
Go to the "Make Electrical Connection" section.



A. Spacers

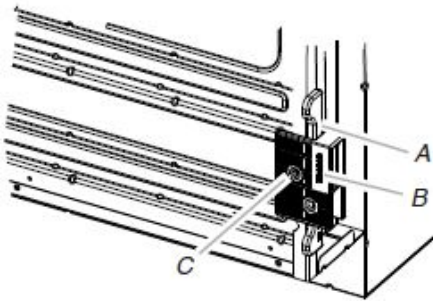
Cutout Height is Between 50¹/₂" and 51¹/₈" (128.2 cm and 129.9 cm) or For Flush Installation

1. Using 2 or more people, place the oven on its back on a covered surface.



2. Install a rear foot on the left rear spacer using a #8-18 x 3/8" (9.5 mm) screw.

NOTE: Position the foot so the long side of the foot is facing toward the top of the oven.

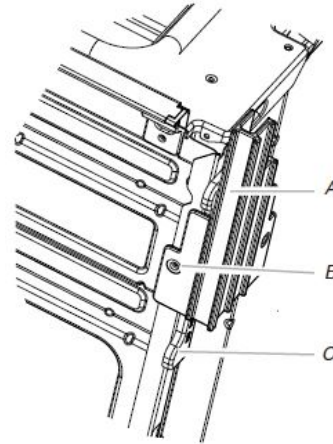


- A. Spacer
- B. Rear foot
- C. #8-18 x 3/8" (9.5 mm) screw

3. In the same manner, install a rear foot on the right rear of the oven.

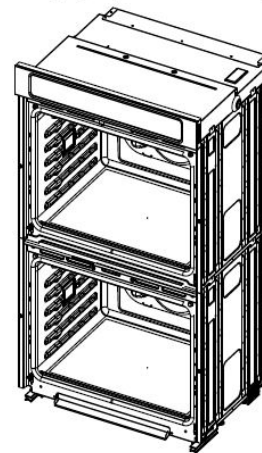
4. Install a front foot on the left front spacer using a #8-18 x 3/8" (9.5 mm) screw.

NOTE: Position the foot so the long side of the foot is facing toward the inside of the oven.



- A. Front Foot
- B. #8-18 x 3/8" (9.5 mm) screw
- C. Spacer

5. In the same manner, install a front foot on the right front of the oven.
6. Using 2 or more people, place the oven in its upright position.

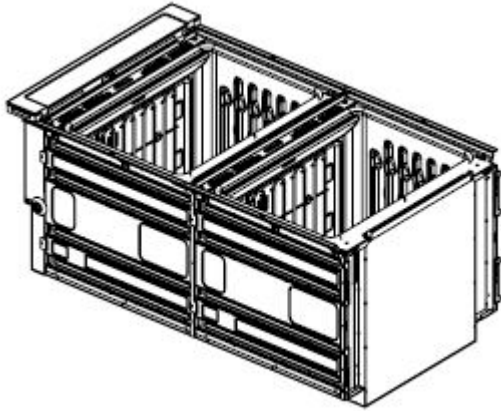


7. Go to the "Make Electrical Connection" section.

Cutout Height is Between 51³/₁₆" and 52³/₁₆" (130.0 cm and 132.6 cm)

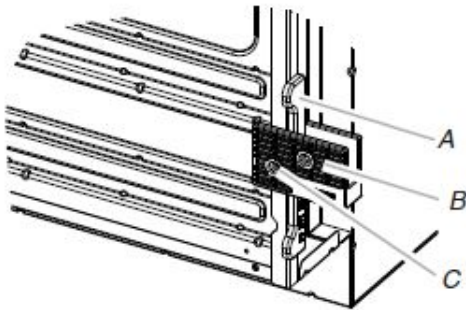
NOTE: A tall bottom vent shield can be ordered to replace the shield that came with the unit as an optional bottom aesthetic. The oven will function properly with either shield. Please refer to your Quick Start Guide for the service number to call and request at no charge.

1. Using 2 or more people, place the oven on its back on a covered surface.



2. Install a rear foot on the left rear spacer using a #8-18 x 3/8" (9.5 mm) screw.

NOTE: Position the rear foot so the short side of the foot is facing toward the top of the oven.

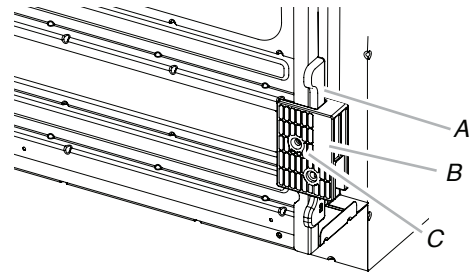


- A. Spacer
- B. Rear foot
- C. #8-18 x 3/8" (9.5 mm) screw

3. In the same manner, install a rear foot on the right rear of the oven.

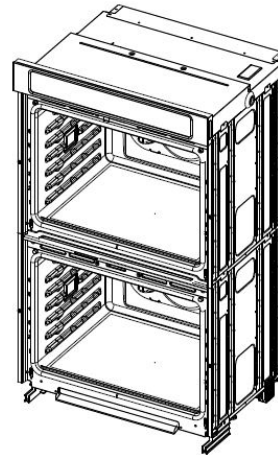
4. Install a front foot on the left front using a #8-18 x 3/8" (9.5 mm) screw.

NOTE: Position the foot so the short side of the foot is facing toward the inside of the oven.



- A. Spacer
- B. Foot
- C. #8-18 x 3/8" (9.5 mm) screw

5. In the same manner, install a front foot on the right front of the oven.
6. Using 2 or more people, place the oven in its upright position.



7. Go to the "Make Electrical Connection" section.

Make Electrical Connection

For Single Ovens

⚠ WARNING



Electrical Shock Hazard

Disconnect power before servicing.

Use 12 gauge copper wire.

Electrically ground oven.

Failure to follow these instructions can result in death, fire, or electrical shock.

For Double Ovens

⚠ WARNING



Electrical Shock Hazard

Disconnect power before servicing.

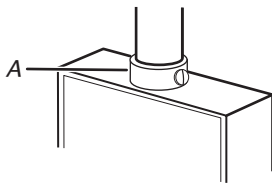
Use 8 gauge copper wire.

Electrically ground oven.

Failure to follow these instructions can result in death, fire, or electrical shock.

This oven is manufactured with a neutral (white) power supply wire and a cabinet-connected green (or bare) ground wire.

1. Disconnect power.
2. Feed the flexible conduit from the oven through the opening in the cabinet.
3. Remove junction box cover, if it is present.
4. Install a UL listed or CSA approved conduit connector to the junction box.



A. UL listed or CSA Approved conduit connector

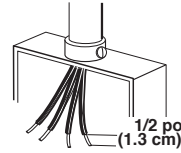
5. Route the flexible conduit from the oven to the junction box through a UL listed or CSA approved conduit connector.
6. Tighten screws on conduit connector.
7. See "Electrical Connection Options Chart" to complete installation for your type of electrical connection.

Electrical Connection Options Chart

If your home has:

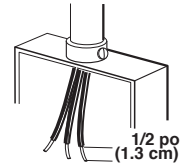
Go to section:

4-wire



4-Wire Cable from Home Power Supply

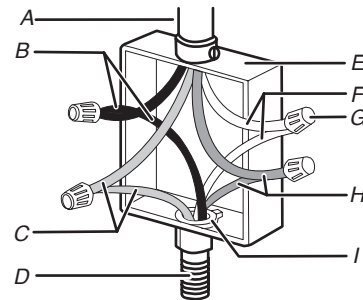
3-wire



3-Wire Cable from Home Power Supply

4-Wire Cable from Home Power Supply

IMPORTANT: Use the 4-wire cable from home power supply in the U.S. where local codes do not allow grounding through neutral, New Branch circuit installations (1996 NEC), mobile homes and recreational vehicles, new construction and in Canada.

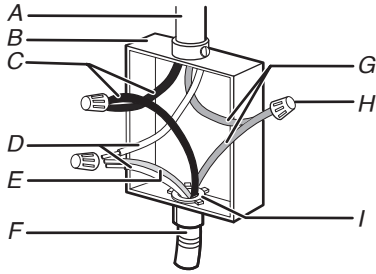


- | | |
|--------------------------------------|--|
| A. Cable from home power supply | F. White wires |
| B. Black wires | G. UL listed wire connectors |
| C. Red wires | H. Green (or bare) ground wires |
| D. 4-wire flexible conduit from oven | I. UL listed or CSA approved conduit connector |
| E. Junction box | |

1. Connect the 2 black wires (B) together using a UL listed wire connector.
2. Connect the 2 red wires (C) together using a UL listed wire connector.
3. Untwist white wire from green (or bare) ground wire coming from the oven.
4. Connect the 2 white wires (F) together using a UL listed wire connector.
5. Connect the green (or bare) ground wire (H) from the oven cable to the green (or bare) ground wire (in the junction box) using a UL listed wire connector.
6. Install junction box cover.

3-Wire Cable from Home Power Supply – U.S. Only

IMPORTANT: Use the 3-wire cable from home power supply where local codes permit a 3-wire connection.

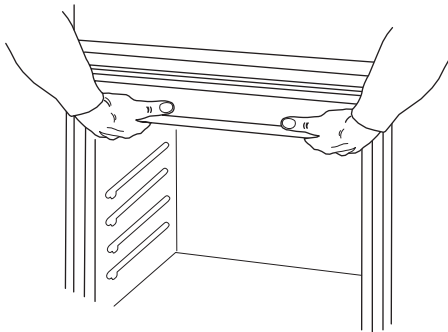


- | | |
|--|--|
| A. Cable from home power supply | F. 4-wire flexible conduit from oven |
| B. Junction box | G. Red wires |
| C. Black wires | H. UL listed wire connectors |
| D. White wires | I. UL listed or CSA approved conduit connector |
| E. Green (or bare) ground wire (from oven) | |

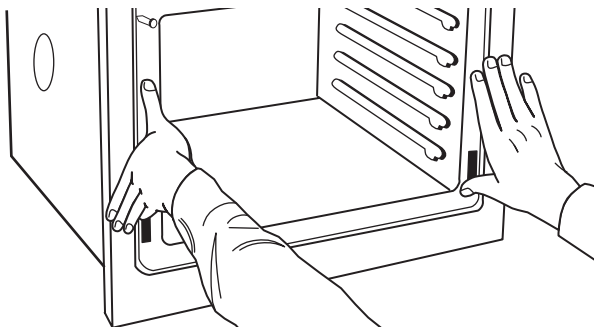
1. Connect the 2 black wires (C) together using a UL listed wire connector.
2. Connect the 2 white wires (D) and the green (or bare) ground wire (of the oven cable) using a UL listed wire connector.
3. Connect the 2 red wires (G) together using a UL listed wire connector.
4. Install junction box cover.

Install Oven

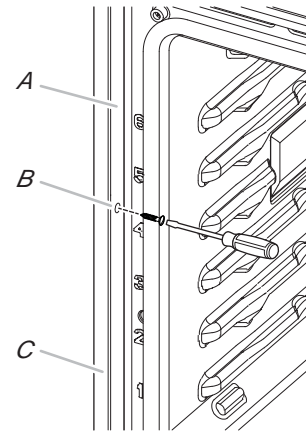
1. Using 2 or more people, lift the oven partially into the cabinet cutout. Use the oven opening as an area to grip.
NOTE: Push against seal area of the oven front frame when pushing the oven into the cabinet. Do not push against the outside edges.



2. Push against the seal area of the front frame to push the oven into the cabinet until the back surface of the front frame touches the front wall of the cabinet.

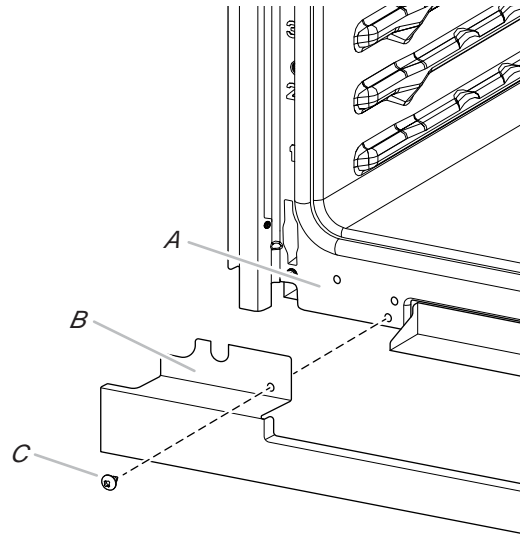


3. Push oven completely into the cabinet and center the oven into the cabinet cutout.
4. Securely fasten the oven to the cabinet using the #8-14 x 3/4" (1.9 cm) screws provided.
Insert the screws through hole in black trim aligning with hole in oven frame. Do not overtighten screws.



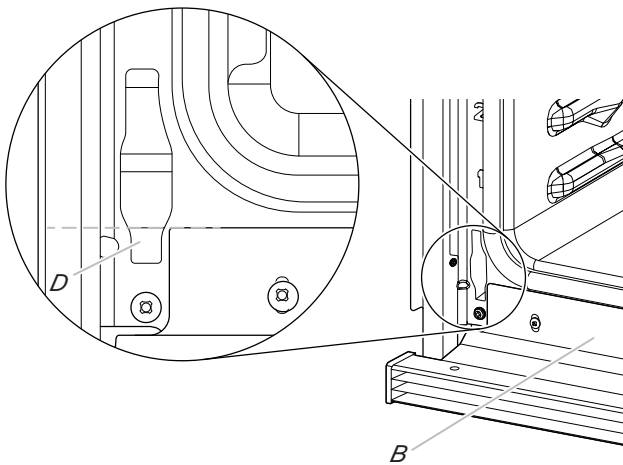
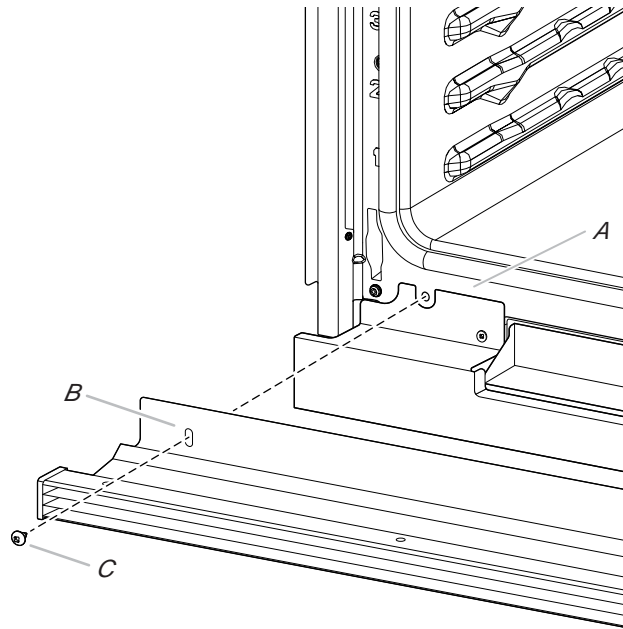
- A. Oven frame
- B. Side trim hole
- C. Side trim piece

5. The bottom vent trim and bottom vent shield are shipped in the foam packing at the top of the oven.
Tall bottom vent shield are used when the oven is installed with the feet in the tall position. Please contact service for one to be shipped to you free of charge.
 - Align bottom vent shield tab (B) with oven frame (A) as shown.
 - Using one #8-18 x 3/8" (9.5 mm) screw (C) on each side of the bottom vent shield tab (B), fasten the vent shield securely to the oven frame (A).



- A. Oven frame
- B. Bottom vent shield tab
- C. #8-18 x 3/8" (9.5 mm) screws

6. After the bottom vent shield is installed.
 - Align the bottom vent trim tab (B) with the oven frame (A) as shown.
 - Using one #8-18 x 3/8" (9.5 mm) screw (C) on each side of the bottom vent trim tab (B), align the top of the bottom vent trim tab (B) to the Hinge receiver (D) as shown.
 - Fasten the bottom vent trim securely to the oven frame (A).



A. Oven frame
 B. Bottom vent trim tab
 C. #8-18 x 3/8" (9.5 mm) screw
 D. Hinge receiver

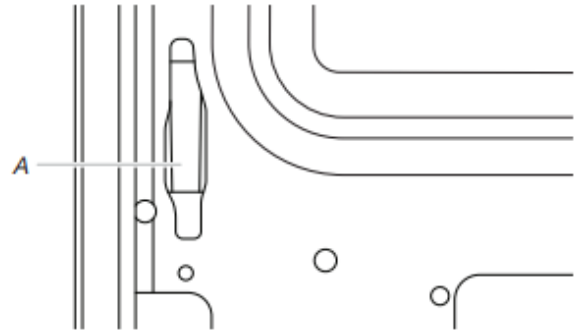
7. Replace the oven racks.
8. Replace the oven door. See the "Replace Oven Door(s)" section.
9. Check that the door is free to open and close. If it is not, repeat the removal and installation procedures. See the "Prepare Built-In Oven" section.
10. Repeat for lower oven door.

IMPORTANT: For proper oven operation, check that the gap between bottom of the door and bottom vent trim is at least 1/4" (6.4 mm).
11. Reconnect power.
12. The display panel will light and boot up.
13. If the display panel does not light, reference the Warranty.

14. If F9E0 error code is encountered upon powering up the unit, the appliance is wired incorrectly at the Junction Box or Electrical Panel. Contact a qualified electrician to verify the home electrical supply and the hardwire connection at the Junction Box or Electrical Panel (See the Electrical Connection Options section).

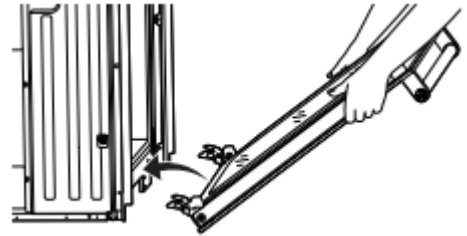
Replace Oven Door(s)

1. Using two hands, grasp side edges of door at the midpoint. Face the oven cavity.
2. Locate the slots on each side of the oven cavity for the door hinge locks.

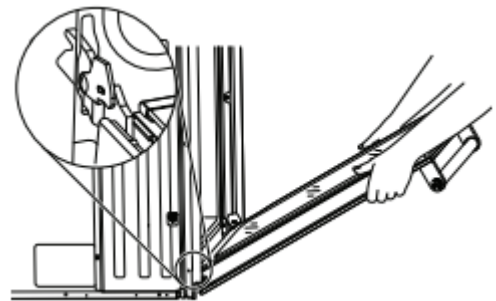


A. Slot in the oven cavity for door hinge lock

3. Using 2 hands, grasp the edges of the oven door. At a 45° angle, insert the hinges at the same time, and push the oven door into the oven cavity slot to replace. You may need to gently shift the door from side to side as you push.



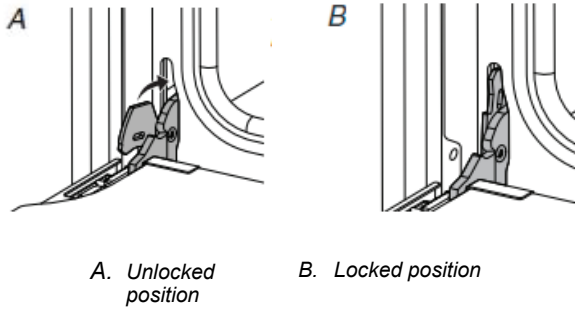
4. Make sure the door hinge notch is engaged on the bottom of the oven cavity slot.



IMPORTANT: Do not close the door at this step or damage may occur to the door hinge.

5. Lower the oven door to the fully open position. If the oven door does not open to a full 90°, repeat steps 1 through 3.

6. Locate the oven door hinge locks in the corners of the oven door, and rotate the hinge locks toward the oven cavity to the locked position.



7. After the door hinges have been locked, gently swing the door upward to close. The door should not be forced closed.
8. When the hinges are properly installed and the door is closed, there should be an even gap between the door and the control panel. If one side of the oven door is lower than the other, the hinge on that side is not properly installed.

Complete Installation

1. Check that all parts are now installed. If there is an extra part, go back through the steps to see which step was skipped.
2. Check that you have all of your tools.
3. Dispose of/recycle all packaging materials.
4. For oven cleaning, read the "Oven Maintenance and Care" section.

Check Operation of Single and Double Ovens

1. Turn on power.
2. At first use, set up the languages, clock, and any other preferences, if available. For more information, read the online "Control Guide".
3. Start a broil cycle.

NOTE: Odors and smoke are normal when the oven is used the first few times.

4. Wait 5 minutes, then check for heat.

If Oven(s) Does Not Operate, Check the Following:

- Household fuse is intact and tight; or circuit breaker has not tripped.
 - Electrical supply is connected.
 - See the online "Troubleshooting".
5. Place the SatinGlide™ Roll-Out Extension Rack for Smart Oven+ Attachments in the lowest rack position in the unit to make sure the correct accessory rack is on the bottom.
 6. Press UPPER CANCEL/LOWER CANCEL on double ovens, or press CANCEL on single ovens.

If you need Assistance or Service:

Please refer to the Quick Start Guide for contact information.

SÉCURITÉ DU FOUR ENCASTRÉ

Votre sécurité et celle des autres sont très importantes.

Nous donnons de nombreux messages de sécurité importants dans ce manuel et sur votre appareil. Assurez-vous de toujours lire tous les messages de sécurité et de vous y conformer.



Voici le symbole d'alerte de sécurité.

Ce symbole d'alerte de sécurité vous signale les dangers potentiels de décès et de blessures graves.

Tous les messages de sécurité suivront le symbole d'alerte de sécurité et le mot « DANGER » ou « AVERTISSEMENT ». Ces mots signifient :

⚠ DANGER

Risque possible de décès ou de blessure grave si vous ne suivez pas immédiatement les instructions.

⚠ AVERTISSEMENT

Risque possible de décès ou de blessure grave si vous ne suivez pas les instructions.

Tous les messages de sécurité vous diront quel est le danger potentiel, comment réduire le risque de blessure et ce qui peut se produire en cas de non-respect des instructions.

INSTRUCTIONS IMPORTANTES DE SÉCURITÉ

AVERTISSEMENT : Afin de réduire le risque d'incendie, de décharge électrique ou de blessures lors de l'utilisation de l'appareil, il convient d'observer certaines précautions fondamentales, notamment :

- Bonne installation – l'appareil, lorsqu'il est installé, doit être relié à la terre conformément aux codes locaux, ou en l'absence de codes locaux, au *National Electrical Code*, *ANSI/NFPA 70* ou au *Code canadien de l'électricité CSA C22.1-02*. Au Canada, l'appareil doit être relié à la terre en respectant le Code canadien de l'électricité. S'assurer que l'appareil est bien installé et que la mise à la terre est réalisée par un technicien qualifié.
- Ne jamais utiliser l'appareil pour chauffer ou réchauffer la pièce.
- Ne pas laisser les enfants seuls – Les enfants ne doivent pas être laissés seuls ou sans surveillance dans la zone où l'appareil est utilisé. Ils ne doivent jamais être autorisés à s'asseoir ou à se tenir debout sur une partie quelconque de l'appareil.
- Porter des vêtements adaptés – Les vêtements pendants ou non ajustés ne doivent jamais être portés lorsqu'on utilise l'appareil.
- Entretien par l'utilisateur – Ne pas réparer ou remplacer une quelconque pièce de l'appareil sans recommandation spécifique du manuel. Toutes les autres tâches d'entretien doivent être effectuées par un technicien qualifié.
- Entreposage dans ou sur l'appareil – Les matières inflammables ne doivent pas être entreposées dans un four ou près de la surface de la table.
- Cet appareil n'est pas conçu pour servir d'espace de rangement.
- Ne pas utiliser d'eau sur les feux de friture – Étouffer le feu ou la flamme ou utiliser un extincteur avec agent chimique sec ou mousseux.
- Ne pas utiliser de pièces de remplacement qui n'ont pas été recommandées par le fabricant (c.-à-d., pièces fabriquées à la maison à l'aide d'une imprimante 3D).
- Utiliser uniquement des maniques sèches – Les maniques humides ou trempées sur les surfaces chaudes peuvent provoquer des brûlures dues à la vapeur. Ne pas laisser les maniques toucher des éléments chauffants et chauds. Ne pas utiliser un chiffon ou tout autre tissu encombrant.
- Ouvrir la porte lentement – Laisser la chaleur ou la vapeur s'échapper avant de retirer ou de remettre en place un plat.
- NE PAS TOUCHER LES ÉLÉMENTS CHAUFFANTS OU LES SURFACES INTÉRIEURES DU FOUR – Les éléments chauffants peuvent être chauds même s'ils sont de couleur foncée. Les surfaces intérieures du four peuvent être suffisamment chaudes pour provoquer des brûlures. Pendant et après l'utilisation, ne pas toucher ou laisser des vêtements ou d'autres matériaux inflammables en contact avec les éléments chauffants ou les surfaces intérieures tant qu'ils n'ont pas suffisamment refroidi. Les autres surfaces de l'appareil peuvent devenir suffisamment chaudes pour causer des brûlures – les serpentins et éléments de cuissons, les ouvertures de ventilation et les surfaces autour de ces ouvertures, les portes du four et les hublots de portes font partie de ces surfaces.
- Ne pas faire chauffer un contenant qui n'a pas été ouvert – L'accumulation de pression pourrait faire éclater le contenant et causer des blessures.
- Garder dégagés les conduits de ventilation du four.

CONSERVER CES INSTRUCTIONS

INSTRUCTIONS IMPORTANTES DE SÉCURITÉ

AVERTISSEMENT : Afin de réduire le risque d'incendie, de décharge électrique ou de blessures lors de l'utilisation de l'appareil, il convient d'observer certaines précautions fondamentales, notamment :

- Position des grilles du four – toujours placer les grilles à la position souhaitée lorsque le four est froid. Si une grille doit être déplacée pendant que le four est chaud, ne pas laisser la poignée entrer en contact avec l'élément chaud du four.

Pour les fours autonettoyants :

- **AVERTISSEMENT :** NE PAS LAISSER D'ALIMENTS, D'USTENSILES DE CUISSON, ETC. DANS LE FOUR PENDANT L'UTILISATION DU MODE DE NETTOYAGE PYROLYTIC.
- Ne pas nettoyer le joint de la porte – Le joint de la porte est essentiel pour une bonne étanchéité. Faire attention à ne pas frotter, endommager ou déplacer le joint.

- Ne pas utiliser de revêtement de protection pour recouvrir le four et ne pas utiliser de nettoyant commercial pour four, sauf s'il est certifié pour une utilisation dans les fours autonettoyants.
- Ne nettoyer que les pièces indiquées.
- Avant d'effectuer l'autonettoyage du four – Retirer la lèchefrite et les autres ustensiles, puis essuyer tous les excès de déversement.

Pour les cuisinières et fours intelligents :

- Utilisation à distance – cet appareil peut être configuré pour permettre l'utilisation à distance en tout temps. Ne pas ranger de matériaux inflammables ou sensibles à la température sur le dessus ou près de la surface de l'appareil.

CONSERVER CES INSTRUCTIONS

Guide de connexion Internet pour appareils connectés seulement

IMPORTANT : Il est de la responsabilité de l'utilisateur de bien installer l'appareil avant de l'utiliser. Bien lire et suivre le guide d'installation qui accompagne l'appareil.

La connectabilité nécessite un réseau Wi-Fi et la création d'un compte. Les fonctions de l'application peuvent changer. Des frais de transfert de données peuvent s'appliquer. Une fois installée, lancer l'application. Suivre les étapes de configuration du compte d'utilisateur et de connexion de l'appareil.

Il faut :

- Un routeur sans fil compatible Wi-Fi à 2,4 GHz avec sécurité WPA2. Pour vérifier les capacités du routeur, consulter le manuel d'instructions du fabricant du routeur.
- Le routeur devra être en marche et connecté à Internet.
- Le numéro SAID à 10 caractères de votre appareil. Le numéro SAID est imprimé sur une étiquette collée sur l'appareil ou peut être affiché à l'écran ACL.

Déclaration de conformité de la Commission fédérale des communications (FCC)

Cet appareil est conforme à la norme FCC, partie 15. Le bon fonctionnement de l'appareil est fonction de deux conditions :

1. Cet appareil ne doit pas produire de brouillage dommageable et
2. cet appareil doit accepter tout brouillage radioélectrique subi, même si le brouillage est susceptible d'en compromettre le fonctionnement.

Tous changements ou toutes modifications n'ayant pas été expressément approuvés par la partie responsable de la conformité pourraient annuler l'autorité de l'utilisateur à utiliser l'appareil.

Déclaration de conformité d'Industrie Canada (IC)

Cet appareil satisfait aux prescriptions des documents CNR/RSS d'Industrie Canada (utilisation sans licence). Le bon fonctionnement de l'appareil est fonction de deux conditions :

1. Cet appareil ne doit pas produire de brouillage.
2. Cet appareil doit être compatible avec n'importe quelle interférence, y compris des interférences causées par l'utilisation involontaire de l'appareil.

En vertu des règlements d'Industrie Canada, cet émetteur radio ne peut fonctionner qu'à l'aide d'une antenne d'un type et de gain maximum (ou moins) approuvé pour l'émetteur par Industrie Canada. Pour réduire les interférences radio potentielles pour les autres utilisateurs, le type d'antenne et son gain doivent être choisis de sorte que la puissance isotrope rayonnée équivalente (PIRE) ne dépasse pas ce qui est nécessaire pour une communication réussie.

Pour satisfaire aux exigences de la FCC et d'Industrie Canada sur l'exposition aux radiations de radiodiffusion, les antennes utilisées avec cet émetteur doivent être installées de telle sorte qu'il y ait une distance de 20 cm ou plus séparant la source de radiation (antenne) et toute personne en tout temps et ne doit pas être co-utilisée ou fonctionner en même temps qu'une autre antenne ou qu'un émetteur.

Si cet appareil cause des interférences nuisibles à la réception radio ou télévision, pouvant être déterminées par le fait d'allumer et d'éteindre l'appareil, l'utilisateur est encouragé à essayer de corriger les interférences en suivant l'un des conseils suivants :

- Réorienter ou déplacer l'antenne de réception.
- Augmenter la distance séparant l'appareil du récepteur.
- Brancher l'appareil sur un circuit différent de celui où le récepteur est branché.
- Contacter un revendeur ou un technicien radio/télévision qualifié pour obtenir de l'aide.

ENTRETIEN ET RÉPARATION DU FOUR

Nettoyage général

IMPORTANT : Avant le nettoyage, s'assurer que toutes les commandes sont désactivées et que le four est froid. Toujours suivre les instructions figurant sur les étiquettes des produits de nettoyage.

L'usage de savon, d'eau et d'un chiffon doux ou d'une éponge est suggéré en priorité, sauf indication contraire.

ACIER INOXYDABLE (sur certains modèles)

REMARQUE : Afin d'éviter d'endommager les surfaces en acier inoxydable, ne pas utiliser de tampons à récurer savonneux, de nettoyeurs abrasifs, de tampons en laine d'acier, de chiffons de lavage rêches ou d'essuie-tout abrasifs. Ils peuvent endommager les surfaces en acier inoxydable, même après une seule ou quelques applications.

Méthode de nettoyage :

Frotter dans la direction du grain pour éviter les dommages.

- Affresh®† pour acier inoxydable – pièce no W10355016 (non fournie) :
Consulter le Guide de démarrage rapide pour les informations de commande.

TABLEAU DE COMMANDE ET EXTÉRIEUR DE LA PORTE DU FOUR

Afin d'éviter d'endommager le tableau de commande, ne pas utiliser de nettoyeurs abrasifs, de tampons en laine d'acier, de chiffons de lavage rêches ou d'essuie-tout abrasifs.

Méthode de nettoyage :

- Nettoyeur à vitre et chiffon doux ou éponge :
Appliquer le nettoyeur à vitre sur un chiffon doux ou une éponge et non directement sur le tableau.
- Nettoyeur affresh® pour cuisine et appareils ménagers – numéro de pièce W10355010 (vendu séparément) :
Consulter le Guide de démarrage rapide pour les informations de commande.

REMARQUE : Pour nettoyer le creux, la porte du four doit d'abord être enlevée. Voir la section « Porte du four ».

GRILLES DU FOUR

Méthode de nettoyage :

- Tampon en laine d'acier.
- Pour les grilles ternies qui glissent difficilement, enduire légèrement les glissières d'huile végétale; cela facilitera leur glissement.

INTÉRIEUR DE LA PORTE DE LA CAVITÉ DU FOUR

Ne pas utiliser de nettoyeurs à four.

Les éclaboussures alimentaires doivent être nettoyées une fois le four refroidi. À haute température, les aliments réagissent avec l'émail et peuvent provoquer la formation de taches, une attaque acide, des piqûres ou des décolorations blanchâtres.

Méthode de nettoyage :

- Programme d'autonettoyage :
Voir d'abord la section « Programme d'autonettoyage ».
Retirer les grilles pour qu'elles ne décolorent pas et qu'elles ne deviennent pas difficiles à faire glisser. Le cas échéant, une légère couche d'huile végétale appliquée sur les glissières facilitera le glissement des grilles.
- Pour un nettoyage optimal de la porte, essuyer tout dépôt avec une éponge humide avant de lancer le programme.

Programme d'autonettoyage

⚠ WARNING



Risque de brûlures

Ne pas toucher le four au cours du programme d'autonettoyage.

Garder les enfants loin du four au cours du programme d'autonettoyage.

Le non-respect de ces instructions peut causer des brûlures.

IMPORTANT : La santé de certains oiseaux est très sensible aux émanations qui surviennent durant le programme d'autonettoyage. L'exposition aux émanations peut entraîner la mort de certains oiseaux. Toujours déplacer les oiseaux dans une autre pièce fermée et bien aérée.

Procéder à l'autonettoyage du four avant qu'il ne devienne très sale. Les saletés intenses nécessitent un nettoyage plus long et dégagent plus de fumée.

Veiller à ce que la cuisine soit bien aérée pendant le programme d'autonettoyage afin d'aider à éliminer la chaleur, les odeurs et la fumée.

Ne pas obstruer le ou les événements du four durant le programme d'autonettoyage. L'air doit pouvoir circuler librement. Voir la section « Événements du four ».

Ne pas nettoyer, frotter, endommager ou déplacer le joint d'étanchéité de la porte du four. Le joint de la porte est essentiel pour une bonne étanchéité.

Préparation du four :

- Sortir du four la lèchefrite, les grilles et les ustensiles de cuisson au four et, sur certains modèles, la sonde thermométrique.
- Sortir les grilles du four pour les garder brillantes et pour qu'elles glissent facilement. Voir la section « Nettoyage général » pour plus de renseignements.
- Enlever tout papier d'aluminium du four; celui-ci risquerait de brûler ou de fondre et d'endommager le four.

† affresh® est une marque déposée de Whirlpool, É.-U.

- Nettoyer manuellement l'intérieur de la porte et une zone de 1 1/2 po (3,8 cm) sur le pourtour du cadre de la cavité du four, en prenant soin de ne pas déplacer ni plier le joint d'étanchéité. Cette section ne devient pas assez chaude au cours du programme d'autonettoyage pour pouvoir éliminer la saleté. Ne pas laisser d'eau, de nettoyant, etc. pénétrer dans les fentes du cadre de la porte. Nettoyer avec un chiffon humide.
- Essuyer toute saleté décollée afin de réduire la fumée et d'éviter les dommages. À des températures élevées, les aliments réagissent avec la porcelaine. Cette réaction peut causer des taches, des attaques, des piqûres ou de légères taches blanches. Ceci est normal et n'affecte pas la performance de cuisson.

IMPORTANT :

- La température du four doit être inférieure à 500 °F (260 °C) pour pouvoir programmer un programme de nettoyage.
- Fours doubles uniquement : On ne peut nettoyer qu'un seul four à la fois.
- Fours doubles uniquement : Les portes des deux fours se verrouillent lorsque l'un ou l'autre four exécute le programme d'autonettoyage.

Comment fonctionne le programme

IMPORTANT : Le chauffage et le refroidissement de la porcelaine sur l'acier dans le four peuvent causer une décoloration, une perte de lustre, des fissures minuscules et des craquements.

Le programme d'autonettoyage utilise des températures très élevées, brûlant les saletés pour les réduire en cendre.

REMARQUE : Il doit s'écouler un délai de 12 heures avant le début du prochain cycle d'autonettoyage.

Lorsque le four a complètement refroidi, retirer la cendre avec un chiffon humide. Afin d'éviter de briser le verre, ne pas appliquer de chiffon humide et froid sur la partie interne du hublot de la porte avant qu'il n'ait complètement refroidi.

Les lampes du four ne fonctionnent pas durant le programme d'autonettoyage.

REMARQUE : Le four possède un moteur de ventilateur de refroidissement à deux vitesses. Pendant le programme d'autonettoyage, les ventilateurs fonctionneront à la vitesse la plus élevée pour augmenter le flux d'air et faciliter l'évacuation de l'air chaud par les événements du four. Une augmentation du bruit peut être constatée pendant et après le programme d'autonettoyage jusqu'au refroidissement du four.

Avant l'autonettoyage, s'assurer que la porte est complètement fermée sinon elle ne se verrouillera pas et le programme ne commencera pas. Lorsque le four est verrouillé, les portes du four ne peuvent être ouvertes. Pour éviter d'endommager les portes, ne pas les forcer ouvertes lorsqu'elles sont verrouillées.

Pour utiliser l'autonettoyage :

REMARQUE : Pour obtenir des instructions spécifiques concernant l'autonettoyage de votre modèle, consulter le Guide de commande en ligne de votre modèle.

1. Fermer la porte et (pour certains modèles) appuyer sur la touche Tools (outils).
2. Sélectionner l'icône Self-Clean (autonettoyage).
3. (Sur les modèles à four double) Sélectionner la cavité supérieure ou la cavité inférieure. Sur certains modèles, sélectionner le chiffre « 1 » ou « 2 » pour choisir le four à nettoyer.
4. Sélectionner la durée ou le niveau de nettoyage. Ceci aura une incidence sur la durée qui peut être de 3 à 6 heures incluant le refroidissement. Si ce modèle possède l'option « Steam Clean » (nettoyage à la vapeur), consulter la section « Nettoyage à la vapeur ».

5. (Sur les modèles sélectionnés) Suivre les directives à l'écran pour préparer le four.
 6. Sélectionner Start (mise en marche) OU (sur les modèles sélectionnés) Sélectionnez Delay Start (mise en marche différée) pour utiliser un programme d'autonettoyage différé). Consulter la section « Mise en marche différée du programme d'autonettoyage ». Les portes du four se verrouilleront automatiquement.
- REMARQUE :** La porte peut ne pas se verrouiller immédiatement après la mise en marche du programme d'autonettoyage. Les portes se déverrouilleront automatiquement une fois le programme d'autonettoyage terminé et le four refroidi.
7. Lorsque le four a complètement refroidi, retirer la cendre avec un chiffon humide.

Delay Start (mise en marche différée) : (sur certains modèles)

Selon le modèle, le four peut être en mesure d'effectuer une mise en marche différée du programme d'autonettoyage. L'utilisateur pourrait utiliser une des méthodes énumérées ci-dessous.

REMARQUE : Pour obtenir des instructions spécifiques concernant la mise en marche différée de l'autonettoyage de votre modèle, consulter le Guide de commande en ligne de votre modèle.

Versión A :

1. Suivre les étapes 1 à 5 de la section « Autonettoyage ».
2. Sélectionner Delay Start (mise en marche différée).
3. Sélectionner l'heure de départ du programme d'autonettoyage en naviguant de gauche à droite.
4. Sélectionner Start Delay (démarrer la mise en marche différée).

Les portes du four vont se verrouiller automatiquement après le début du compte à rebours. Lorsque le programme d'autonettoyage est terminé et que le four est froid, les portes du four se déverrouillent.

5. Lorsque le four a complètement refroidi, retirer la cendre avec un chiffon humide.

Versión B :

1. Fermer les portes du four, puis appuyer sur Delay Start (mise en marche différée)
2. (Sur les modèles à four double) Sélectionner la cavité supérieure ou la cavité inférieure. Sur certains modèles, sélectionner le chiffre « 1 » ou « 2 » pour choisir le four à nettoyer.
3. Appuyer sur les touches numériques pour entrer la durée différée du programme.
4. Appuyer sur Self Clean (autonettoyage).
5. Sélectionner le niveau de nettoyage.
6. Appuyer sur le bouton Start (mise en marche) correspondant au four sélectionné.

Les portes du four vont se verrouiller automatiquement après le début du compte à rebours.

Lorsque le programme d'autonettoyage est terminé et que le four est froid, les portes du four se déverrouillent.

7. Lorsque le four a complètement refroidi, retirer la cendre avec un chiffon humide.

Pour arrêter le programme d'autonettoyage à tout moment :

Appuyer sur la touche Cancel (annuler) du clavier du four pour les modèles à four simple ou des claviers pour les modèles de four double. Si la température du four est trop élevée, la porte reste verrouillée. Elle ne se déverrouille pas tant que le four n'a pas refroidi.

Steam Clean (nettoyage à la vapeur) (sur certains modèles)

La fonction de nettoyage à la vapeur est conçue pour un nettoyage léger de la cavité inférieure sur les modèles équipés d'un élément de cuisson dissimulé dans les deux fours.

Laisser le four refroidir et atteindre la température ambiante avant d'utiliser le programme de nettoyage à la vapeur. Si la température de la cavité du four est supérieure à 200 °F (93 °C), la fonction de nettoyage à la vapeur ne s'active pas. Elle attendra que la température soit moins élevée.

Retirer les grilles et accessoires de la cavité du four.

Pour de meilleurs résultats, utiliser 10 oz (295,7 mL) d'eau distillée ou filtrée. Ne pas utiliser de nettoyeurs à four.

La fonction de nettoyage à la vapeur fonctionne pendant environ 1 heure. Un signal sonore sera émis à la fin du programme.

IMPORTANT : Puisque l'eau dans le fond du four est chaude, ne pas ouvrir la porte du four pendant le cycle de nettoyage à la vapeur.

Toucher Oven Cancel (annulation de la fonction d'alimentation du four) ou Upper/Lower (supérieur/inférieur) sur les modèles à four double pour mettre fin au cycle en tout temps. L'affichage de l'heure est rétabli.

Conseils utiles

- Une fois le programme de nettoyage à la vapeur terminé et le four complètement refroidi, essuyer l'eau restante dans le fond du four à l'aide d'une éponge ou d'un linge.
- Essuyer toute humidité présente dans l'intérieur du four, les parois latérales internes de la cavité du four et la table de cuisson.
- Utiliser une brosse à poils doux ou un ustensile de récurage en nylon pour essuyer l'intérieur du four. Ceci pourra être utile pour les taches les plus tenaces.
- Il est recommandé d'utiliser une eau distillée ou filtrée, car l'eau du robinet peut laisser des dépôts minéraux sur le fond du four. Utiliser un linge imbibé de vinaigre ou de jus de citron pour retirer tout dépôt de minéraux qui peut être présent après le programme de nettoyage à la vapeur.
- Si le four est très sale, utiliser le programme d'autonettoyage. Le programme de nettoyage à la vapeur peut être utilisé pour éliminer la majorité des débris, ce qui rendra le programme d'autonettoyage plus efficace.

Nettoyage à la vapeur :

1. Ouvrir la porte du four sélectionné et retirer les grilles et accessoires de la cavité.
2. Verser 10 oz (295,7 mL) d'eau distillée ou filtrée dans le fond du four. Fermer ensuite la porte du four.
3. Appuyer sur la touche Tools (outils).
(Sur les modèles à four double) Sélectionner la cavité supérieure ou la cavité inférieure.
4. Sélectionner STEAM CLEAN (nettoyage à la vapeur).
5. Sélectionner START (mise en marche).
6. Après environ 1 heure, une tonalité résonnera pour signaler que le programme est terminé. Toucher le clavier pour les modèles à four simple ou les claviers sur les modèles à four double pour réinitialiser l'affichage.
7. Lorsque le four a complètement refroidi, éponger l'excédant d'eau à l'aide d'une éponge ou d'un linge, puis essuyer l'intérieur du four. Au besoin, utiliser un tampon à récurer en cuivre non abrasif pour retirer les souillures tenaces.

INSTRUCTIONS D'INSTALLATION SPÉCIFICATIONS

Outils et pièces

Rassembler les outils et pièces nécessaires avant d'entreprendre l'installation. Lire et observer les instructions fournies avec chacun des outils de la liste ci-dessous.

Rassembler les outils et pièces nécessaires avant d'entreprendre l'installation. Lire et observer les instructions fournies avec chacun des outils de la liste ci-dessous.

Outils nécessaires

- Tournevis à tête cruciforme
- Ruban à mesurer
- Perceuse manuelle ou électrique (pour installation dans une armoire)
- Foret de 1 po (2,5 cm) (pour installation dans une armoire)
- Niveau
- Tournevis à tête plate

Pièces nécessaires

- Connecteur de conduit (homologation UL ou CSA)
- Connecteurs de fils (homologation UL)

Pièces fournies

- Vis no 8-18 x 3/4 po (1,9 cm) – four simple (2), four double (4)
- Vis no 8-18 x 3/8 po (9,5 mm) – évent inférieur (2)
- Vis no 8-18 x 3/8 po (9,5 mm) – protecteur d'évent inférieur (2)
- Vis no 8-18 x 3/8 po (9,5 mm) – pied en plastique (4)
- Pieds arrière – four double (2)
- Pieds avant – four double (2)
- protecteur de l'évent inférieur
- Garniture de l'évent inférieur

Consulter les codes locaux. Vérifier l'alimentation électrique existante. Voir la section « Spécifications électriques ».

Il est recommandé de faire réaliser tous les raccordements électriques par un électricien qualifié agréé.

REMARQUE : S'assurer d'acheter uniquement des pièces et des accessoires JennAir certifiés par le fabricant de l'appareil. Il se peut que l'installation nécessite des pièces supplémentaires. Pour commander, consulter les coordonnées indiquées dans le guide de démarrage rapide.

Exigences d'emplacement

IMPORTANT : Observer les dispositions de tous les codes et règlements en vigueur.

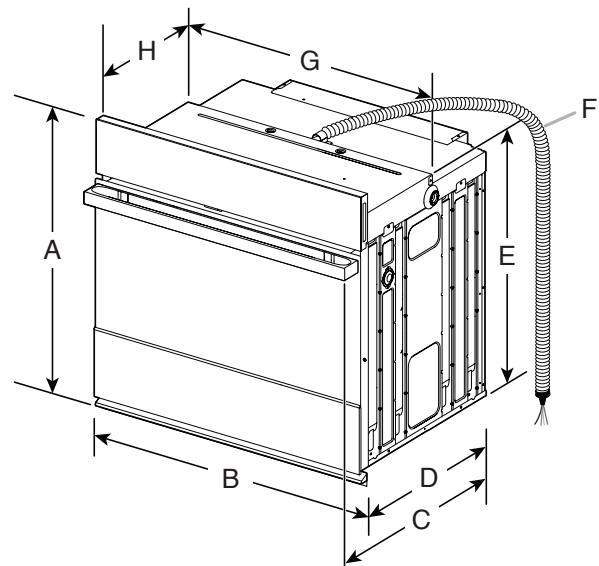
- Pour éliminer les risques de brûlure ou d'incendie en se penchant au-dessus d'une surface qui chauffe, il est déconseillé d'utiliser l'espace de rangement des armoires situées au-dessus de l'appareil. Si des armoires de rangement sont envisagées, le risque peut être réduit par l'installation d'une hotte de cuisinière dépassant le bas des armoires d'au moins 5 po (12,7 cm) horizontalement.
- Respecter les dimensions indiquées pour les ouvertures à découper dans les armoires. Ces dimensions tiennent compte des dégagements de séparation nécessaires pour le four.
- L'espace d'installation dans un encastrement doit permettre la formation d'une enceinte complète autour de la partie encastrée du four.
- Une source d'électricité avec liaison à la terre est nécessaire. Voir la section « Spécifications électriques ».
- Le boîtier de connexion doit être situé 3 po (7,6 cm) maximum au-dessous de la surface d'appui lorsque le four est installé dans une armoire murale. Un trou d'un diamètre minimum de 1 po (2,5 cm) doit avoir été percé dans l'angle arrière gauche ou arrière droit de la surface de support pour le passage du câble d'alimentation de l'appareil jusqu'au boîtier de connexion.

REMARQUE : Pour l'installation sous un comptoir, on recommande que le boîtier de connexion soit situé dans l'armoire adjacente, à droite ou à gauche. Si le boîtier de connexion est installé sur le mur derrière le four, nous recommandons qu'il soit encastré et situé dans la partie supérieure centrale de l'armoire.

- La surface de support du four doit être robuste, horizontale et en affleurement avec le bas de l'ouverture découpée dans l'armoire.
- Pour un modèle simple de 30 po (76,2 cm), le plancher doit pouvoir supporter un poids de 200 lb (91 kg).
- Pour un modèle double de 30 po (76,2 cm), le plancher doit pouvoir supporter un poids de 330 lb (150 kg).

IMPORTANT : Pour éviter d'endommager les armoires, consulter le constructeur de la maison ou le fabricant des armoires pour déterminer si les matériaux utilisés peuvent subir un changement de couleur, une déstratification ou d'autres dommages. Ce four a été conçu conformément aux exigences des normes UL et CSA International et respecte les températures maximales permises de 194 °F (90 °C) pour les armoires en bois.

Dimensions du produit – Fours simples



Modèles de 27 po (68,6 cm)

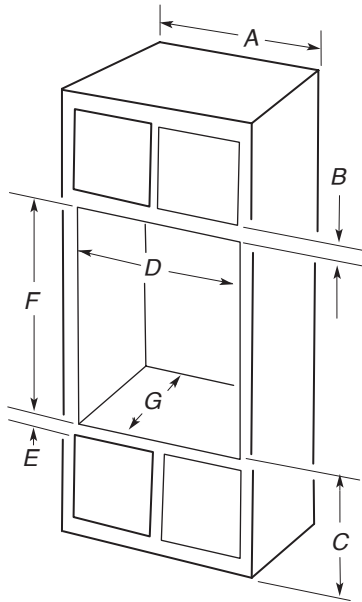
- A. Hauteur totale maximum : 30 ³/₁₆ po (76,6 cm)
- B. Largeur totale de 27 po (68,6 cm)
- C. Pour les modèles Noir – 26 ³/₈ po (67 cm) – pour les modèles Rise – 27 ³/₁₆ po (69 cm)
- D. Profondeur maximum de l'encastrement : 23 ¹/₄ po (59,1 cm)
- E. Hauteur de l'encastrement : 26 po (66 cm)
- F. Longueur du conduit flexible : 48 po (121,9 cm)
- G. Largeur maximum de l'encastrement : 25 ¹/₂ po (64,7 cm)
- H. De l'arrière du tableau de commande jusqu'à l'extrémité avant du serre-câbles : 12 po (30,5 cm)

Modèles de 30 po (76,2 cm)

- A. Hauteur totale maximum : 30 ³/₁₆ po (76,6 cm)
- B. Largeur totale : 29 ³/₄ po (75,6 cm)
- C. Pour les modèles Noir – 26 ³/₈ po (67 cm) – pour les modèles Rise – 27 ³/₁₆ po (69 cm)
- D. Profondeur maximum de l'encastrement : 23 ¹/₄ po (59,1 cm)
- E. Hauteur de l'encastrement : 26 po (66 cm)
- F. Longueur du conduit flexible : 48 po (121,9 cm)
- G. Largeur maximum de l'encastrement : 28 ⁷/₁₆ po (72,2 cm)
- H. De l'arrière du tableau de commande jusqu'à l'extrémité avant du serre-câbles : 12 po (30,5 cm)

Dimensions de l'armoire – Four simple, installation standard

Fours simples installés dans une armoire



Modèles de 27 po (68,6 cm)

- A. 27 po (68,6 cm) de largeur minimum pour l'armoire
- B. Du sommet de la découpe au bas de la porte de l'armoire supérieure : 2³/₁₆ po (5,5 cm)
- C. 32 po (81,3 cm) du fond de la découpe au plancher
- D. 25 1/2 po (64,8 cm) de largeur minimum pour l'ouverture découpée
- E. 1 1/2 po (3,8 cm) minimum entre le bas de l'encastrement et le haut de la porte de l'armoire supérieure
- F. 28 po (71,2 cm)* de hauteur recommandé pour la découpe
- G. 24 po (60,7 cm) de profondeur de découpe

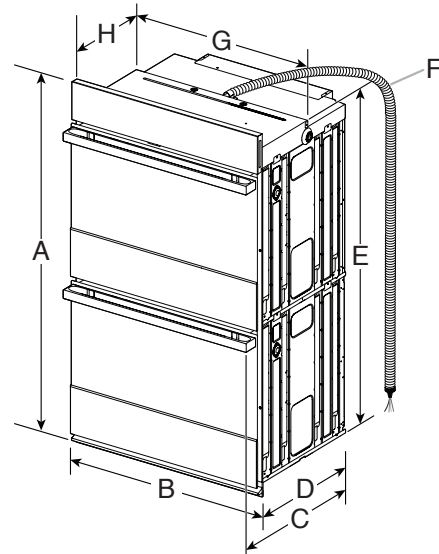
Modèles de 30 po (76,2 cm)

- A. 30 po (76,2 cm) de largeur minimum pour l'armoire
- B. Du sommet de la découpe au bas de la porte de l'armoire supérieure : 2³/₁₆ po (5,5 cm)
- C. 32 po (81,3 cm) du fond de la découpe au plancher
- D. 28 1/2 po (72,4 cm) de largeur minimum pour l'ouverture découpée
- E. 1 1/2 po (3,8 cm) minimum entre le bas de l'encastrement et le haut de la porte de l'armoire supérieure
- F. 28 po (71,2 cm)* de hauteur recommandé pour la découpe
- G. 24 po (60,7 cm) de profondeur de découpe

***REMARQUE :** Pour les fours simples, la hauteur de la découpe peut être comprise entre 27 1/4 po et 29 7/16 po (69,2 cm et 74,8 cm).

REMARQUE : Communiquer avec le service pour obtenir des écrans d'évent inférieur pour les ouvertures supérieures à 28 11/16 po (72,9 cm) pour améliorer l'installation.

Dimensions du produit – Fours doubles



Modèles de 27 po (68,6 cm)

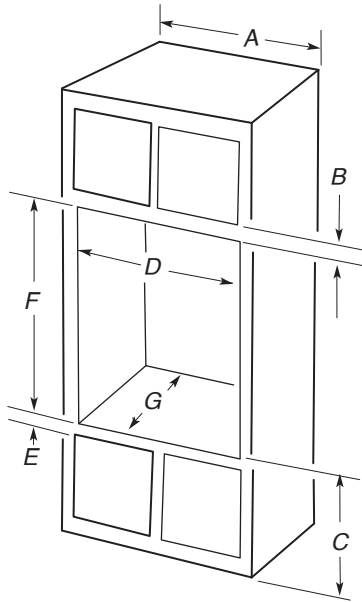
- A. Hauteur totale maximum : 53 po (134,5 cm)
- B. Largeur totale de 27 po (68,6 cm)
- C. Pour les modèles Noir – 26³/₈ po (67 cm) – pour les modèles Rise – 27³/₁₆ po (69 cm)
- D. Profondeur maximum de l'encastrement : 23 1/4 po (59,1 cm)
- E. Hauteur de l'encastrement : 48 3/4 po (123,8 cm)
- F. Longueur du conduit flexible : 66 po (167,6 cm)
- G. Largeur maximum de l'encastrement : 25 1/2 po (64,7 cm)
- H. De l'arrière du tableau de commande jusqu'à l'extrémité avant du serre-câbles : 12 po (30,5 cm)

Modèles de 30 po (76,2 cm)

- A. Hauteur totale maximum : 53 po (134,5 cm)
- B. Largeur totale : 29 3/4 po (75,6 cm)
- C. Pour les modèles Noir – 26³/₈ po (67 cm) – pour les modèles Rise – 27³/₁₆ po (69 cm)
- D. Profondeur maximum de l'encastrement : 23 1/4 po (59,1 cm)
- E. Hauteur de l'encastrement : 48 3/4 po (123,8 cm)
- F. Longueur du conduit flexible : 66 po (167,6 cm)
- G. Largeur maximum de l'encastrement : 28 7/16 po (72,2 cm)
- H. De l'arrière du tableau de commande jusqu'à l'extrémité avant du serre-câbles : 12 po (30,5 cm)

Dimensions de l'armoire – Installation standard d'un four double

Fours doubles installés dans une armoire



Modèles de 27 po (68,6 cm)

- A. 27 po (68,6 cm) de largeur minimum pour l'armoire
- B. Du sommet de la découpe au bas de la porte de l'armoire supérieure : $2 \frac{3}{16}$ po (5,5 cm)
- C. $14 \frac{3}{4}$ po (37,5 cm) du fond de l'encastrement au plancher (recommandé).
Une distance de 4 po à $14 \frac{3}{4}$ po (10,2 cm à 37,5 cm) entre le bas de l'ouverture et le plancher est acceptable.
- D. $25 \frac{1}{2}$ po (64,8 cm) de largeur minimum pour l'ouverture découpée
- E. $1 \frac{1}{2}$ po (3,8 cm) minimum entre le bas de l'encastrement et le haut de la porte de l'armoire supérieure
- F. Hauteur recommandée de la découpe : $50 \frac{1}{4}$ po (127,6 cm)*
- G. 24 po (60,7 cm) de profondeur de découpe

Modèles de 30 po (76,2 cm)

- A. 30 po (76,2 cm) de largeur minimum pour l'armoire
- B. Du sommet de la découpe au bas de la porte de l'armoire supérieure : $2 \frac{3}{16}$ po (5,5 cm)
- C. $14 \frac{3}{4}$ po (37,5 cm) du fond de l'encastrement au plancher (recommandé).
Une distance de 4 po à $14 \frac{3}{4}$ po (10,2 cm à 37,5 cm) entre le bas de l'ouverture et le plancher est acceptable.
- D. $28 \frac{1}{2}$ po (72,4 cm) de largeur minimum pour l'ouverture découpée
- E. $1 \frac{1}{2}$ po (3,8 cm) minimum entre le bas de l'encastrement et le haut de la porte de l'armoire supérieure
- F. Hauteur recommandée de la découpe : $50 \frac{1}{4}$ po (127,6 cm)*
- G. 24 po (60,7 cm) de profondeur de découpe

*REMARQUE : Pour les fours doubles, la hauteur de la découpe peut être comprise entre 50 po et $52 \frac{3}{16}$ po (127 cm et 132,6 cm).

REMARQUE : Communiquer avec le service pour obtenir des écrans d'évent inférieur pour les ouvertures supérieures à $50 \frac{3}{8}$ po (128 cm) pour améliorer l'installation.

Dimensions de l'armoire – Fours simples, installations en affleurement

REMARQUE : Il s'agit d'un choix alternatif pour installer votre produit dans une armoire et obtenir un style en affleurement. Pour une installation standard, consulter la section « Dimensions de l'armoire – Four simple, installation standard ».

Une découpe de 25 po (63,5 cm) minimum est requise.

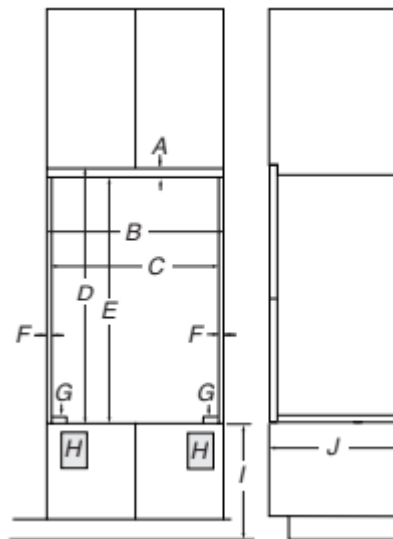
Les écarts supérieur et inférieur seront de $\frac{1}{8}$ po (0,3 cm) au-dessus et en dessous du produit. Les écarts supérieurs et inférieurs ne sont pas nécessaires pour l'installation. Les zones exposées de la caisse doivent être revêtues d'un fini pour correspondre.

Le côté avant des tasseaux et de la plate-forme sera visible et doit être traité comme une surface de finition.

Fours simples installés dans une armoire

Vue de face

Vue latérale



Modèles de 27 po (68,6 cm)

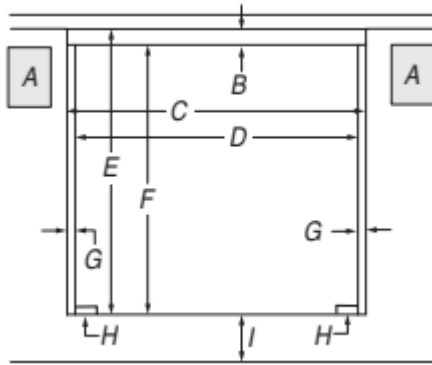
- A. Tasseau supérieur de $\frac{3}{4}$ po (1,9 cm)*
- B. $27 \frac{1}{4}$ po (69,2 cm) de largeur minimum d'ouverture intégrée en affleurement
- C. $25 \frac{7}{8}$ po (65,7 cm) de largeur minimum pour l'ouverture
- D. $30 \frac{7}{16}$ po (77,3 cm) de hauteur minimum pour l'ouverture intégrée en affleurement
- E. Hauteur recommandée de la découpe : $29 \frac{11}{16}$ po (75,4 cm)
- F. Tasseau latéral de $\frac{11}{16}$ po (1,7 cm)*
- G. Recommandé avec pied : $\frac{1}{4}$ po (0,6 cm). Dimension autorisée de $\frac{15}{16}$ po à $1 \frac{1}{8}$ po (2,2 cm à 2,9 cm) sans pieds*
- H. Emplacement recommandé pour la boîte de jonction
- I. $4 \frac{5}{8}$ po à 32 po (11,7 à 81,3 cm) du fond de la découpe au plancher
- J. 25 po (63,5 cm) de profondeur minimum pour l'ouverture

Modèles de 30 po (76,2 cm)

- A. Tasseau supérieur de $\frac{3}{4}$ po (1,9 cm)*
- B. $30 \frac{1}{4}$ po (76,8 cm) de largeur minimum d'ouverture intégrée en affleurement
- C. $28 \frac{7}{8}$ po (73,3 cm) de largeur minimum pour l'ouverture
- D. $30 \frac{7}{16}$ po (77,3 cm) de hauteur minimum pour l'ouverture intégrée en affleurement
- E. Hauteur recommandée de la découpe : $29 \frac{11}{16}$ po (75,4 cm)
- F. Tasseau latéral de $\frac{11}{16}$ po (1,7 cm)*
- G. Recommandé avec pied : $\frac{1}{4}$ po (0,6 cm). Dimension autorisée de $\frac{15}{16}$ po à $1 \frac{1}{8}$ po (2,2 cm à 2,9 cm) sans pieds*
- H. Emplacement recommandé pour la boîte de jonction
- I. $4 \frac{5}{8}$ po à 32 po (11,7 à 81,3 cm) du fond de la découpe au plancher
- J. 25 po (63,5 cm) de profondeur minimum pour l'ouverture

* Les tasseaux et les cales d'espacement doivent être encastrés à $\frac{13}{8}$ po (3,5 cm) depuis l'avant de l'armoire.

Four simple sous le plan de travail – sans table de cuisson au-dessus



Vue de face

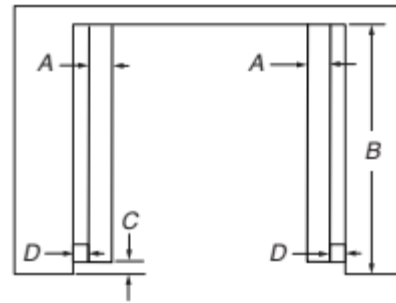
Modèles de 27 po (68,6 cm)

- A. Emplacement recommandé pour la boîte de jonction
- B. Tasseau supérieur de 3/4 po (1,9 cm)*
- C. 27 1/4 po (69,2 cm) de largeur minimum d'ouverture intégrée en affleurement
- D. 25 7/8 po (65,7 cm) de largeur minimum pour l'ouverture
- E. 29 1/4 po (74,3 cm) de hauteur minimum pour l'ouverture intégrée en affleurement
- F. Hauteur recommandée de la découpe : 28 1/2 po (72,4 cm)
- G. Tasseau latéral de 11/16 po (1,7 cm)*
- H. 1/4 po x 2 po (6,4 mm x 5,1 cm) pour la cale d'espacement sur la profondeur totale de l'ouverture*
- I. Du bas de la découpe au plancher : 4 5/8 po (11,7 cm)

Modèles de 30 po (76,2 cm)

- A. Emplacement recommandé pour la boîte de jonction
- B. Tasseau supérieur de 3/4 po (1,9 cm)*
- C. 30 1/4 po (76,8 cm) de largeur minimum d'ouverture intégrée en affleurement
- D. 28 7/8 po (73,3 cm) de largeur minimum pour l'ouverture
- E. 29 1/4 po (74,3 cm) de hauteur minimum pour l'ouverture intégrée en affleurement
- F. Hauteur recommandée de la découpe : 28 1/2 po (72,4 cm)
- G. Tasseau latéral de 11/16 po (1,7 cm)*
- H. 1/4 po x 2 po (6,4 mm x 5,1 cm) pour la cale d'espacement sur la profondeur totale de l'ouverture*
- I. Du bas de la découpe au plancher : 4 5/8 po (11,7 cm)

*Les tasseaux et les cales d'espacement doivent être encastrés à 1 3/8 po (3,5 cm) depuis l'avant de l'armoire.



Vue de dessus

Modèles de 27 po (68,6 cm)

- A. 2 po (5,1 cm) pour la cale d'espacement sur la profondeur totale de l'ouverture*
- B. 25 po (63,5 cm) de profondeur pour l'ouverture
- C. 1 3/8 po (3,5 cm) pour l'encastrement à partir de l'avant de l'armoire
- D. Tasseau latéral de 11/16 po (1,7 cm)*

Modèles de 30 po (76,2 cm)

- A. 2 po (5,1 cm) pour la cale d'espacement sur la profondeur totale de l'ouverture*
- B. 25 po (63,5 cm) de profondeur pour l'ouverture
- C. 1 3/8 po (3,5 cm) pour l'encastrement à partir de l'avant de l'armoire
- D. Tasseau latéral de 11/16 po (1,7 cm)*

*Les tasseaux et les cales d'espacement doivent être encastrés à 1 3/8 po (3,5 cm) depuis l'avant de l'armoire.

Dimensions de l'armoire – Fours doubles, installations en affleurement

REMARQUE : Il s'agit d'un choix alternatif pour installer votre produit dans une armoire et obtenir un style en affleurement. Pour une installation standard, consulter la section « Dimensions de l'armoire – Four double, installation standard ».

L'ouverture doit avoir une profondeur minimale de 25 3/8 po (64,4 cm).

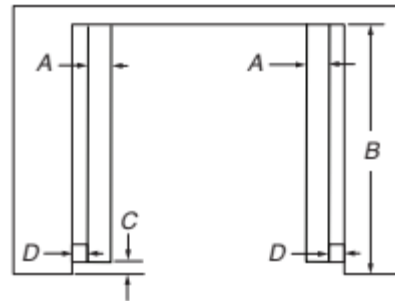
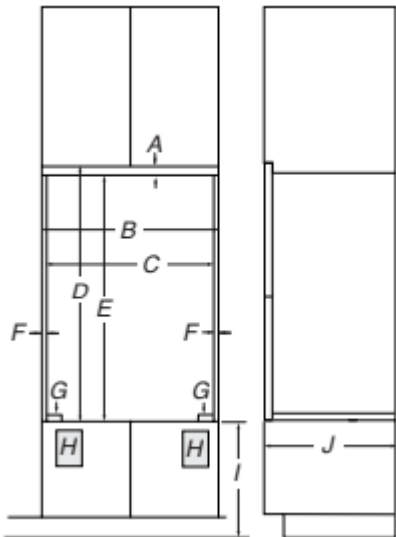
Les écarts supérieur et inférieur seront de 1/8 po (0,3 cm) au-dessus et de en dessous du produit. Les écarts supérieurs et inférieurs ne sont pas nécessaires pour l'installation. Les zones exposées de la caisse doivent être revêtues d'un fini pour correspondre.

Le côté avant des tasseaux et de la plate-forme sera visible et doit être traité comme une surface de finition.

Fours doubles installés dans une armoire

Vue de face

Vue latérale



Vue de dessus

Modèles de 27 po (76,2 cm)

- A. Tasseau supérieur de 3/4 po (1,9 cm)*
- B. 27 1/4 po (69,2 cm) de largeur minimum d'ouverture intégrée en affleurement
- C. 25 7/8 po (65,7 cm) de largeur minimum pour l'ouverture
- D. 53 3/16 po (135 cm) de hauteur minimum pour l'ouverture intégrée en affleurement
- E. Hauteur recommandée de la découpe : 52 3/8 po (133,1 cm)
- F. Tasseau latéral de 11/16 po (1,7 cm)*
- G. Recommandé avec pied : 1/4 po (0,6 cm). Dimension autorisée de 15/16 po à 1 1/16 po (2,2 cm à 2,7 cm) sans pieds*
- H. Emplacement recommandé pour la boîte de jonction
- I. 4 5/8 po à 14 3/4 po (11,7 à 37,5 cm) du fond de la découpe au plancher
- J. 25 po (63,5 cm) de profondeur minimum pour l'ouverture

Modèles de 30 po (76,2 cm)

- A. Tasseau supérieur de 3/4 po (1,9 cm)*
- B. 30 1/4 po (76,8 cm) de largeur minimum d'ouverture intégrée en affleurement
- C. 28 7/8 po (73,3 cm) de largeur minimum pour l'ouverture
- D. 53 3/16 po (135 cm) de hauteur minimum pour l'ouverture intégrée en affleurement
- E. Hauteur recommandée de la découpe : 52 3/8 po (133,1 cm)
- F. Tasseau latéral de 11/16 po (1,7 cm)*
- G. Recommandé avec pied : 1/4 po (0,6 cm). Dimension autorisée de 15/16 po à 1 1/16 po (2,2 cm à 2,7 cm) sans pieds*
- H. Emplacement recommandé pour la boîte de jonction
- I. 4 5/8 po à 32 po (11,7 à 81,3 cm) du fond de la découpe au plancher
- J. 25 po (63,5 cm) de profondeur minimum pour l'ouverture

Modèles de 27 po (68,6 cm)

- A. 2 po (5,1 cm) pour la cale d'espacement sur la profondeur totale de l'ouverture*
- B. 25 po (63,5 cm) de profondeur pour l'ouverture
- C. 1 3/8 po (3,5 cm) pour l'encastrement à partir de l'avant de l'armoire
- D. Tasseau latéral de 11/16 po (1,7 cm)*

Modèles de 30 po (76,2 cm)

- A. 2 po (5,1 cm) pour la cale d'espacement sur la profondeur totale de l'ouverture*
- B. 25 po (63,5 cm) de profondeur pour l'ouverture
- C. 1 3/8 po (3,5 cm) pour l'encastrement à partir de l'avant de l'armoire
- D. Tasseau latéral de 11/16 po (1,7 cm)*

*Les tasseaux et les cales d'espacement doivent être encastrés à 1 3/8 po (3,5 cm) depuis l'avant de l'armoire.

Four installé sous la table de cuisson – Dimensions pour l'ouverture à découper

IMPORTANT : Observer les dispositions de tous les codes et règlements en vigueur. La table de cuisson doit être homologuée pour une utilisation au-dessus d'un four. Pour les dimensions de l'ouverture à découper, voir les instructions d'installation de la table de cuisson. Centrer l'ouverture à découper pour la table de cuisson par rapport à l'ouverture découpée pour le four.

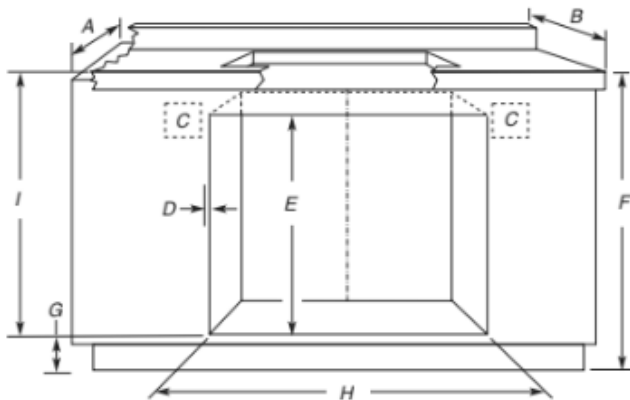
Installation sous un comptoir (avec table de cuisson installée au-dessus) :

Les fours homologués pour ce type d'installation comportent une étiquette d'homologation placée sur le dessus du four.

Pour éviter d'endommager les armoires, consulter le constructeur de la maison ou le fabricant des armoires pour déterminer si les matériaux utilisés peuvent subir un changement de couleur, une déstratification ou d'autres dommages. Ce four a été conçu conformément aux exigences des normes UL et CSA International et respecte les températures maximales permises de 194 °F (90 °C) pour les armoires en bois.

*Les tasseaux et les cales d'espacement doivent être encastrés à 1 3/8 po (3,5 cm) depuis l'avant de l'armoire.

Four encastré homologué et four électrique à serpentin/ élément radiant/induction ou sans table de cuisson installée au-dessus du four



- A. Profondeur d'armoire de 24 po (61 cm)
- B. Profondeur du plan de travail 25 po (63,5 cm)
- C. Emplacements recommandés pour le boîtier de connexion du four et de la table de cuisson
- D. Prévoir 5/8 po (1,6 cm) pour le chevauchement de la garniture du four, de chaque côté.
- E. Hauteur minimum de la découpe : 27 3/4 po (70,5 cm)
- F. 36 po (91,4 cm) entre la base de l'armoire et le plan de travail
- G. 4 1/2 po (11,4 cm) maximum entre la base de l'armoire lorsque les pieds sont installés. Si la dimension « F » est supérieure à 36 po (91,4 cm), la dimension « G » peut être augmentée de la même différence pour des combinaisons d'appareils à induction
- H. Voir le tableau Dimensions de l'ouverture à découper
- I. 31 3/8 po (82,2 cm) entre le sommet du plan de travail et le fond de la cavité d'encastrement

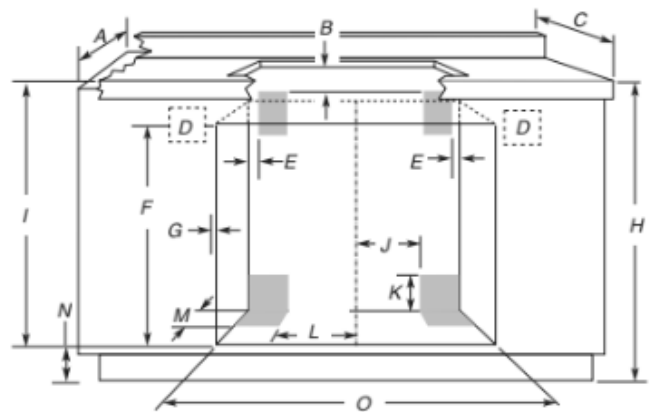
OUVERTURES À DÉCOUPER (H)

Taille du four	Minimum de l'ouverture à découper pour le four
24 po (61 cm)	22 1/2 po (57,2 cm)
27 po (68,6 cm)	25 1/2 po (64,8 cm)
30 po (76,2 cm)	28 1/2 po (72,4 cm)

Pour connaître les combinaisons approuvées par numéro de modèle, consulter l'étiquette sous comptoir située sur la partie supérieure du châssis du four et au fond de la boîte de brûleur de la table de cuisson.

REMARQUE : Pour l'installation sous un plan de travail, on recommande que les boîtiers de connexion pour four et table de cuisson soient situés dans l'armoire adjacente, à droite ou à gauche. Un trou de diamètre 1 po (2,5 cm) ou plus doit avoir été percé dans la partie supérieure de l'angle arrière gauche ou droit de la surface de la paroi latérale pour le passage du câble d'alimentation de l'appareil jusqu'au boîtier de connexion.

Combinaisons four encastré/table de cuisson au gaz (produits homologués)



- A. Profondeur d'armoire de 24 po (61 cm)
- B. Dégagement de 1 po (2,5 cm) jusqu'au bas du plan de travail
- C. Profondeur du plan de travail 25 po (63,5 cm)
- D. Emplacements recommandés pour le boîtier de connexion du four et de la table de cuisson
- E. Dégagement de 1 po (2,5 cm) jusqu'à l'armoire
- F. Hauteur minimum de la découpe : 27 3/4 po (70,5 cm)
- G. Prévoir 5/8 po (1,6 cm) pour le chevauchement de la garniture du four, de chaque côté.
- H. 36 po (91,4 cm) entre la base de l'armoire et le plan de travail
- I. 31 3/8 po (79,7 cm) entre le sommet du plan de travail et le fond de la cavité d'encastrement
- J. Canalisation de gaz à travers le mur : 10 1/2 po (26,7 cm) jusqu'au centre de l'ouverture
- K. 3 1/4 po (8,3 cm)
- L. Canalisation de gaz à travers le plancher : 10 1/2 po (26,7 cm) jusqu'au centre de l'ouverture
- M. 3 1/2 po (8,9 cm)
- N. 4 1/2 po (11,4 cm) maximum entre la base de l'armoire lorsque les pieds sont installés
- O. Voir le tableau Dimensions de l'ouverture à découper

OUVERTURES À DÉCOUPER (O)

Taille du four	Minimum de l'ouverture à découper pour le four
24 po (61 cm)	22 1/2 po (57,2 cm)
27 po (68,6 cm)	25 1/2 po (64,8 cm)
30 po (76,2 cm)	28 1/2 po (72,4 cm)
36 po (91,4 cm)	34 1/2 po (87,6 cm)

Pour connaître les combinaisons des produits homologués par numéro de modèle, consulter l'étiquette sous comptoir située sur la partie supérieure du châssis du four.


REMARQUE : Pour l'installation sous un plan de travail, on recommande que le boîtier de connexion pour four soit situé dans l'armoire adjacente, à droite ou à gauche. Un trou de diamètre 1 po (2,5 cm) ou plus doit avoir été percé dans la partie supérieure de l'angle arrière gauche ou droit de la surface de la paroi latérale pour le passage du câble d'alimentation de l'appareil jusqu'au boîtier de connexion.

On recommande d'utiliser les zones grisées supérieures pour la prise de 120 V reliée à la terre du boîtier de connexion encastré de la table de cuisson.

On recommande l'installation de la canalisation de gaz flexible ou rigide dans la zone ombrée inférieure. Le point de raccordement au gaz de la table de cuisson se trouve sur la droite (même emplacement que le point « J » dans le schéma ci-dessus). La canalisation de gaz peut être installée d'un côté ou de l'autre de l'ouverture découpée, à travers le plancher ou à travers le mur. Consulter les codes locaux concernant l'utilisation des canalisations de gaz.

Spécifications électriques

⚠ AVERTISSEMENT



Risque de décharge électrique

Appareil relié à la terre.

Le non-respect de ces instructions peut causer un décès, un incendie ou une décharge électrique.

Si on utilise un conducteur distinct de liaison à la terre et lorsque les codes le permettent, il est recommandé qu'un électricien qualifié vérifie que la liaison à la terre et le calibre des fils sont conformes aux codes locaux.

En cas de doute quant à la qualité de la liaison à la terre du four, consulter un électricien qualifié.

Ce four doit être raccordé à un système permanent, métallique de câblage relié à la terre.

S'assurer que la connexion électrique et le calibre des fils sont appropriés et conformes au National Electrical Code, aux normes ANSI/NFPA 70 – dernière édition, ou aux normes CSA C22.1-94, au Code canadien de l'électricité, Partie 1 et C22.2 No O-M91 – dernière édition, et à tous les codes et règlements locaux.

Pour obtenir un exemplaire des normes des codes ci-dessus, contacter :

National Fire Protection Association
1 Batterymarch Park
Quincy, MA 02169-7471

CSA International
8501 East Pleasant Valley Road
Cleveland, OH 44131-5575

Raccordement électrique

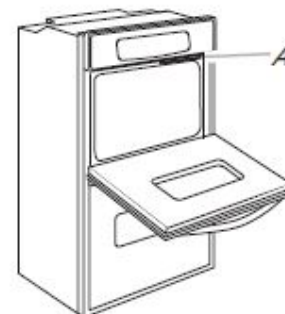
Pour installer le four de façon appropriée, il faut établir le type de raccords électriques que l'on utilisera et suivre les instructions de ce document.

- Le four doit être alimenté par une source d'électricité appropriée (caractéristiques de tension et fréquence spécifiées sur la plaque signalétique). La plaque signalétique du numéro de modèle et de série est située sous le panneau de configuration sur les fours simples et sous le panneau de configuration sur la cavité supérieure du four sur les fours doubles. Voir les illustrations suivantes.



Fours simples

A. Plaque signalétique du numéro de modèle et de série



Fours doubles

A. Plaque signalétique du numéro de modèle et de série

- Les modèles à 240 V de 7,3 à 9,6 kW (208 V de 5,4 à 7,4 kW) doivent être alimentés par un circuit indépendant de 40 A. Un modèle à 240 V de 4,8 kW ou moins (208 V de 3,6 kW ou moins) doit être alimenté par un circuit indépendant de 20 A.
- L'emploi d'un disjoncteur est recommandé.
- Raccorder l'appareil directement au tableau de distribution par un câble à conducteur de cuivre et gaine métallique flexible ou gaine non métallique (avec conducteur de liaison à la terre). Voir la section « Raccordement électrique ».
- Le câble flexible du four doit être connecté directement dans le boîtier de connexion.
- Installer un fusible aux deux extrémités de la ligne.
- Ne pas couper le conduit. La longueur du conduit fourni est destinée à faciliter l'entretien/le dépannage éventuel du four.
- L'installateur doit fournir un connecteur de conduit (homologation UL ou CSA).
- Si le domicile possède un câblage en aluminium, suivre la procédure ci-dessous :

Connecter le câblage en aluminium en utilisant des capuchons ou des outils spécialement conçus et homologués UL pour raccorder le cuivre à l'aluminium.

Suivre la procédure recommandée par le fabricant de connecteurs électriques. Les raccordements aluminium/cuivre doivent satisfaire aux prescriptions des codes locaux et de l'industrie, et être conformes aux pratiques de câblage reconnues.

INSTALLATION

Préparer le four encastré

1. Choisir l'emplacement final pour l'installation du four. Éviter de percer ou de sectionner le câblage du domicile pendant l'installation.

⚠ AVERTISSEMENT

Risque de poids excessif

Utiliser deux personnes ou plus pour déplacer et installer l'appareil.

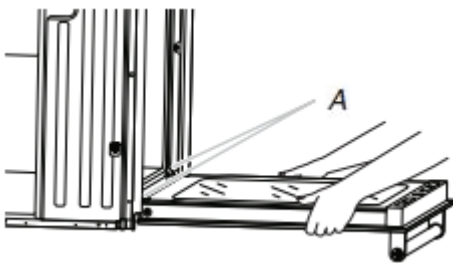
Le non-respect de cette instruction peut causer une blessure au dos ou d'autres blessures.

2. Pour éviter d'endommager le plancher, placer le four sur une feuille de carton avant l'installation. Pour soulever l'appareil, ne pas prendre prise sur la poignée ou sur une autre partie de l'avant du châssis.
3. Enlever les matériaux d'emballage et les rubans adhésifs du four. S'assurer de bien conserver les cornières de protection et autres matériaux pouvant être requis pour l'installation.
4. Enlever le matériel à l'intérieur du sachet de documentation.
5. Retirer et mettre de côté les grilles, accessoires et autres pièces qui se trouvent à l'intérieur du four.
6. Approcher le four et la feuille de carton de l'emplacement final du four.

Enlever la/les porte(s) du four

IMPORTANT : Retirer la porte du four avec les 2 mains. Pour les fours doubles, répéter le procédé pour chaque porte.

1. Avant de retirer la porte du four, préparer une surface sur laquelle la poser. Cette surface doit être plate et recouverte d'une couverture douce. On peut aussi utiliser les cornières de l'emballage.
2. Ouvrir complètement la porte du four.

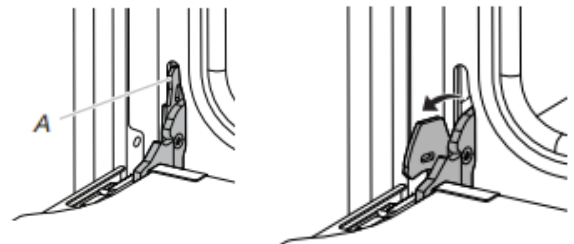


A. Charnières de porte

3. Trouver les loquets de charnière de la porte du four dans les deux angles de la porte; faire pivoter les loquets de charnière vers la porte du four jusqu'à la position de déverrouillage. Si le loquet de charnière de porte n'est pas complètement tourné (voir la position déverrouillée dans l'illustration), la porte ne se retirera pas correctement.

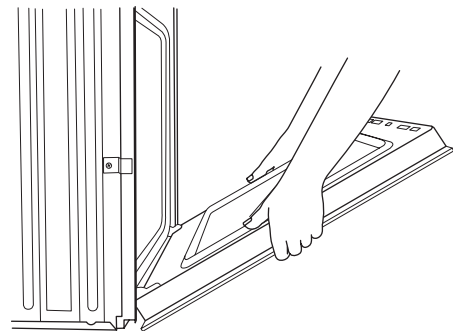
Loquet de charnière de la porte du four en position de verrouillage

Loquet de charnière de la porte du four en position de déverrouillage

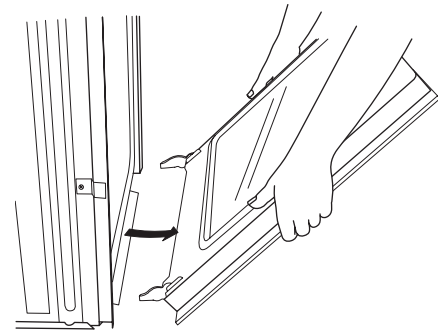


A. Tenir ici pour faire pivoter

4. Commencer à fermer doucement la porte. La porte s'arrêtera en position partiellement fermée.



5. Saisir les bords de la porte du four avec les 2 mains. Fermer la porte du four légèrement dépassé la position d'arrêt pour réduire la charge supportée par les loquets, puis tirer la porte de four vers le haut.



6. Tirer la porte du four vers soi et enlever la porte. Si nécessaire, basculer doucement la porte d'un côté et de l'autre en la tirant.
7. Garder la porte du four à part sur la surface de travail couverte en la faisant reposer sur sa poignée.
8. Pour continuer l'installation du four, aller à la section « Positionnement des pieds du four pour des ouvertures d'encastrement dans l'armoire ».

Positionner les pieds du four pour des ouvertures de découpe dans l'armoire

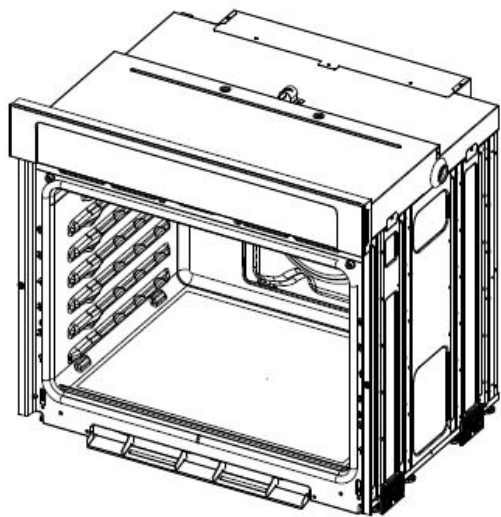
Fours simples

En modifiant le positionnement des pieds du four, on peut installer un four simple dans une découpe d'une hauteur comprise entre 26 $\frac{15}{16}$ po et 29 $\frac{7}{16}$ po (68,4 cm et 74,8 cm). Consulter les instructions suivantes pour adapter la position des pieds à la taille de la découpe.

La hauteur de la découpe peut être comprise entre 27 $\frac{5}{8}$ po et 28 $\frac{5}{8}$ po (70,2 cm et 72,7 cm)

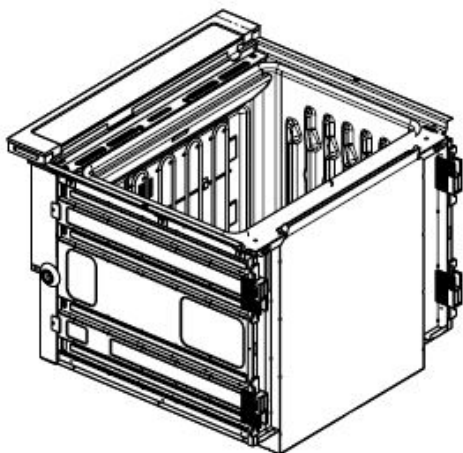
Les pieds du four n'ont pas besoin d'être remplacés. Ils sont correctement positionnés à leur sortie d'usine.

Voir la section « Raccordement électrique ».



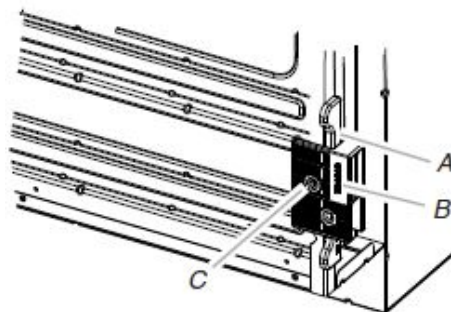
La hauteur de la découpe peut être comprise entre 27 $\frac{1}{4}$ po et 27 $\frac{11}{16}$ po (69,2 cm et 70,3 cm)

1. À l'aide d'au moins 2 personnes, placer le four sur sa partie arrière, sur une surface couverte.



2. Retirer le pied de la cale d'espacement avant droite en ôtant la vis no 8-18 x 3/8 po (9,5 mm).

REMARQUE : Ne pas retirer la cale d'espacement.



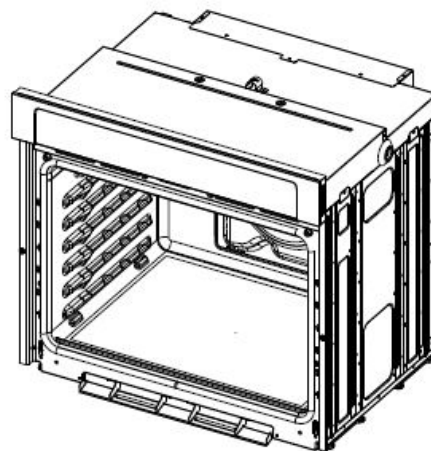
A. Cale

B. Pied

C. Vis no 8-18 x 3/8 po (9,5 mm)

3. Enlever les pieds installés du côté avant gauche, arrière droit et arrière gauche du four en suivant la même méthode.

4. À l'aide d'au moins 2 personnes, placer le four en position verticale.

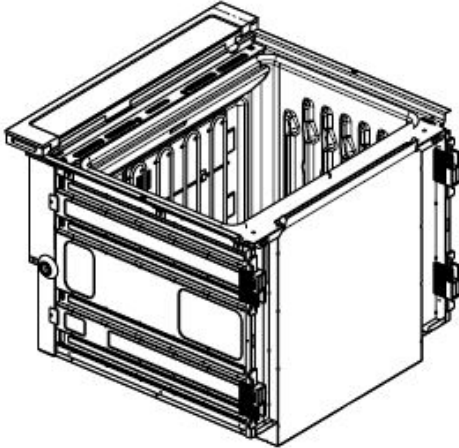


5. Voir la section « Raccordement électrique ».

La hauteur de la découpe doit être comprise entre 28 ¹¹/₁₆ po et 29 ⁷/₁₆ po (72,8 cm et 74,8 cm)

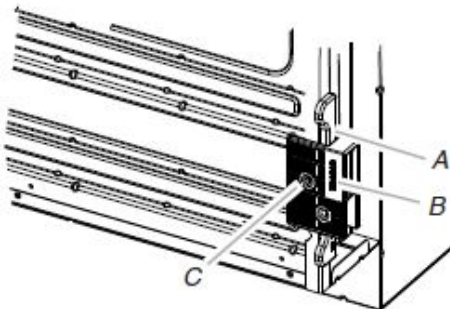
REMARQUE : Un grand protecteur d'évent inférieur peut être commandé pour remplacer le protecteur accompagnant l'appareil pour améliorer l'apparence du bas. Le four fonctionnera correctement avec l'un ou l'autre des écrans. Consulter le guide de démarrage rapide pour obtenir le numéro de service sans frais pour effectuer une demande.

1. À l'aide d'au moins 2 personnes, placer le four sur sa partie arrière, sur une surface couverte.



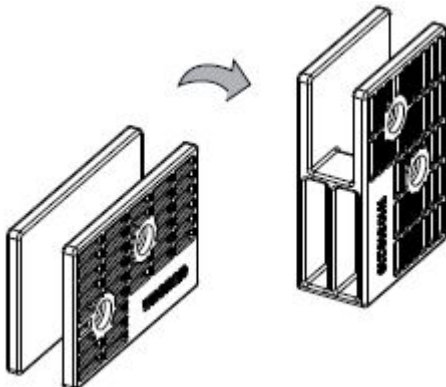
2. Retirer le pied de la cale d'espacement avant droite en ôtant la vis no 8-18 x 3/8 po (9,5 mm).

REMARQUE : Ne pas retirer la cale d'espacement.

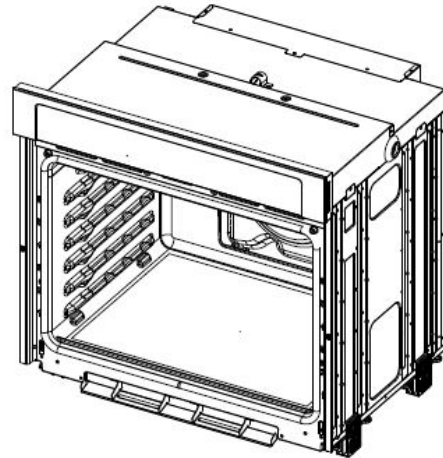


- A. Cale
- B. Pied
- C. Vis no 8-18 x 3/8 po (9,5 mm)

3. Faire pivoter le pied à 90° de façon à ce que le côté court du pied soit orienté vers le sommet du four.



4. Réinstaller le pied de la cale d'espacement à l'aide de la vis de droite en utilisant la vis no 8-18 x 3/8 po (9,5 mm) précédemment retirée.
5. Enlever, faire pivoter et réinstaller les pieds installés du côté avant gauche, arrière droit et arrière gauche du four en suivant la même méthode.
6. À l'aide d'au moins 2 personnes, placer le four en position verticale.



7. Voir la section « Raccordement électrique ».

Fours doubles

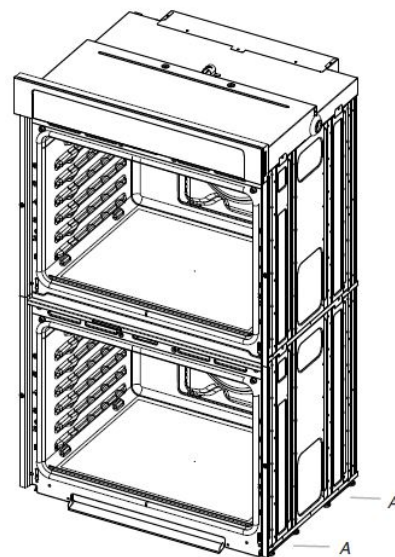
En modifiant le positionnement des pieds du four, on peut installer un four double dans une découpe d'une hauteur comprise entre 48 ⁷/₈ po et 52 ³/₁₆ po (124,1 cm et 132,6 cm). Consulter les instructions suivantes pour adapter la position des pieds à la taille de la découpe.

La hauteur de la découpe peut être comprise entre 50 po et 50 ⁷/₁₆ po (127 cm et 128,1 cm)

Il n'est pas nécessaire d'installer les pieds du four. Le four a été correctement configuré à sa sortie d'usine.

REMARQUE : Ne pas retirer les cales d'espacement.

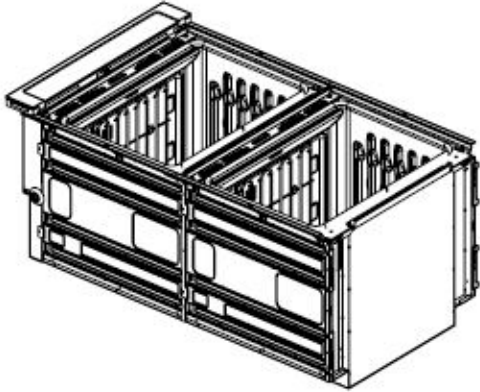
Voir la section « Raccordement électrique ».



A. Cales d'espacement

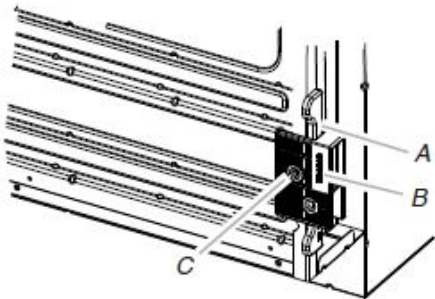
Pour une installation en affleurement, la hauteur de la découpe doit être entre 50 1/2 po et 51 1/8 po (128,2 cm et 129,9 cm)

1. À l'aide d'au moins 2 personnes, placer le four sur sa partie arrière, sur une surface couverte.



2. Installer un pied arrière sur la cale d'espacement arrière gauche avec une vis no 8-18 x 3/8 po (9,5 mm).

REMARQUE : Positionner le pied de façon à ce que le côté long du pied soit orienté vers le sommet du four.

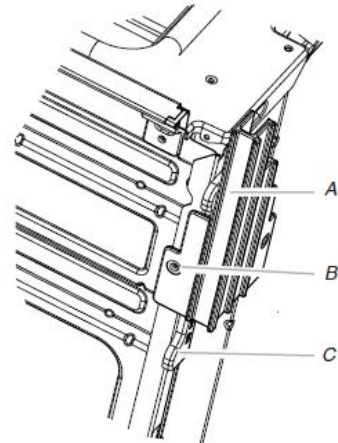


- A. Cale
- B. Pied arrière
- C. Vis no 8-18 x 3/8 po (9,5 mm)

3. De la même manière, installer un pied arrière sur le coin arrière droit du four.

4. Installer un pied avant sur la cale d'espacement avant gauche avec une vis no 8-18 x 3/8 po (9,5 mm).

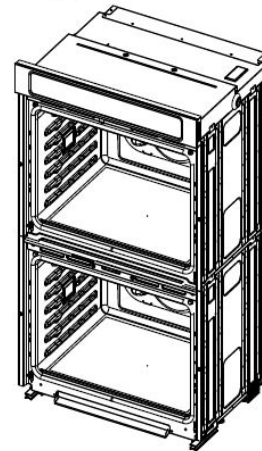
REMARQUE : Positionner le pied de façon à ce que le côté long du pied soit orienté vers l'intérieur du four.



- A. Pied avant
- B. Vis no 8-18 x 3/8 po (9,5 mm)
- C. Cale

5. De la même manière, installer un pied avant sur le coin avant droit du four.

6. À l'aide d'au moins 2 personnes, placer le four en position verticale.

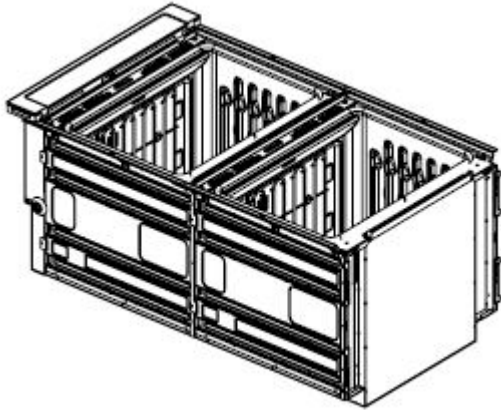


7. Voir la section « Raccordement électrique ».

La hauteur de la découpe doit être comprise entre 51 ³/₁₆ po et 52 ³/₁₆ po (130,0 cm et 132,6 cm)

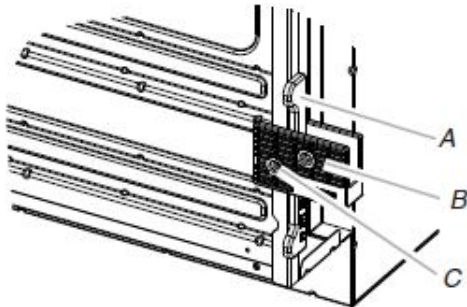
REMARQUE : Un grand protecteur de l'évent inférieur peut être commandé pour remplacer le protecteur accompagnant l'appareil pour améliorer l'apparence du bas. Le four fonctionnera correctement avec l'un ou l'autre des écrans. Consulter le guide de démarrage rapide pour obtenir le numéro de service sans frais pour effectuer une demande.

1. À l'aide d'au moins 2 personnes, placer le four sur sa partie arrière, sur une surface couverte.



2. Installer un pied arrière sur la cale d'espace arrière gauche avec une vis no 8-18 x 3/8 po (9,5 mm).

REMARQUE : Positionner le pied arrière de façon à ce que le côté court du pied soit orienté vers le sommet du four.

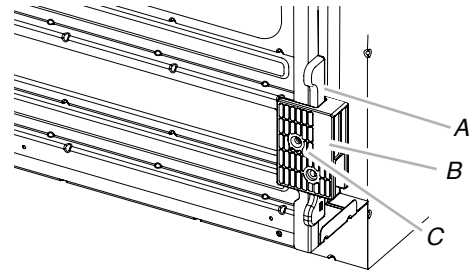


- A. Cale
- B. Pied arrière
- C. Vis no 8-18 x 3/8 po (9,5 mm)

3. De la même manière, installer un pied arrière sur le coin arrière droit du four.

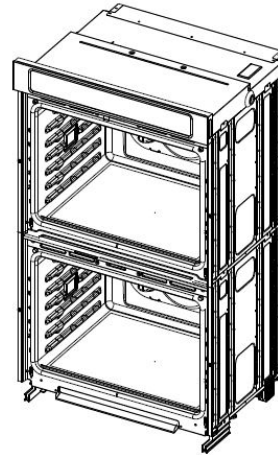
4. Installer un pied avant à l'avant à gauche avec une vis no 8-18 x 3/8 po (9,5 mm).

REMARQUE : Positionner le pied de façon à ce que le côté court du pied soit orienté vers le sommet du four.



- A. Cale
- B. Pied
- C. Vis no 8-18 x 3/8 po (9,5 mm)

5. De la même manière, installer un pied avant sur le coin avant droit du four.
6. À l'aide d'au moins 2 personnes, placer le four en position verticale.



7. Voir la section « Raccordement électrique ».

Raccordement électrique

Fours simples

⚠ AVERTISSEMENT



Risque de décharge électrique

Déconnecter la source de courant électrique avant l'entretien.

Utiliser du fil de cuivre de calibre 12.

Relier le four à la terre.

Le non-respect de ces instructions peut causer un décès, un incendie ou une décharge électrique.

Fours doubles

⚠ AVERTISSEMENT



Risque de décharge électrique

Déconnecter la source de courant électrique avant l'entretien.

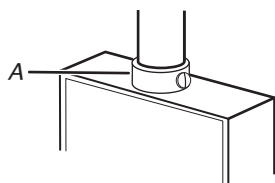
Utiliser du fil de cuivre de calibre 8.

Relier le four à la terre.

Le non-respect de ces instructions peut causer un décès, un incendie ou une décharge électrique.

Le câblage d'alimentation de ce four comporte un conducteur neutre (blanc) et un conducteur vert (ou nu) de liaison à la terre connecté à la caisse.

1. Débrancher l'alimentation.
2. Placer le conduit de câble flexible depuis le four jusqu'à l'espace d'installation dans l'armoire.
3. Le cas échéant, enlever le couvercle du boîtier de connexion.
4. Installer un connecteur de conduit (homologation UL ou CSA) sur le boîtier de connexion.



A. Connecteur de conduit (homologation UL ou CSA)

5. Acheminer le conduit de câble flexible depuis le four jusqu'au boîtier de connexion – utiliser un connecteur de conduit (homologation UL ou CSA).
6. Serrer les vis sur le connecteur de conduit.

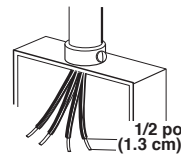
7. Voir le « Tableau des options de raccordement électrique » pour terminer l'installation correspondant à votre type de raccordement électrique.

Tableau des options de raccordement électrique

Si le domicile comporte :

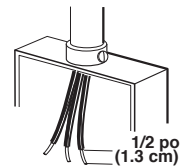
Voir la section :

4 conducteurs



Câble à 4 conducteurs depuis l'alimentation électrique du domicile

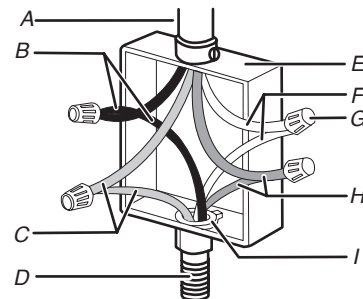
3 conducteurs



Câble à 3 conducteurs depuis l'alimentation électrique du domicile

Câble à 4 conducteurs depuis l'alimentation électrique du domicile

IMPORTANT : Utiliser le câble à 4 conducteurs provenant de l'alimentation électrique du domicile aux États-Unis lorsque les codes ne permettent pas la mise à la terre par l'intermédiaire du conducteur neutre, en cas de nouvelle installation avec alimentation par un circuit secondaire (1996 NEC), dans les résidences mobiles et les véhicules récréatifs, dans une nouvelle construction et au Canada.

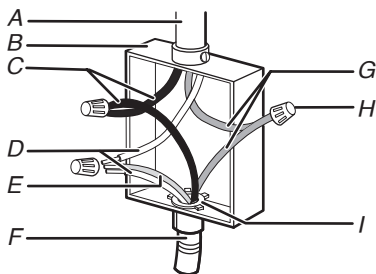


- | | |
|--|---|
| A. Câble depuis le point de distribution du domicile | F. Conducteur blanc |
| B. Conducteur noir | G. Connecteurs de fils (homologation UL) |
| C. Conducteurs rouges | H. Connecteurs verts (ou nus) de liaison à la terre |
| D. Câble flexible à 4 conducteurs depuis le four | I. Connecteur de conduit (homologation UL ou CSA) |
| E. Boîtier de connexion | |

1. Connecter ensemble les 2 conducteurs noirs (B) avec un capuchon de connexion (homologation UL).
2. Connecter ensemble les 2 conducteurs rouges (C) avec un capuchon de connexion (homologation UL).
3. Détorsader le conducteur blanc du conducteur vert (ou nu) de liaison à la terre provenant du four.
4. Connecter ensemble les 2 connecteurs blancs (F) avec un capuchon de connexion (homologation UL).
5. Connecter le conducteur vert (ou nu) de liaison à la terre (H) du câble du four au conducteur vert (ou nu) de liaison à la terre dans le boîtier de connexion – utiliser un capuchon de connexion (homologation UL).
6. Installer le couvercle du boîtier de connexion.

Câble à 3 conducteurs depuis l'alimentation électrique du domicile – É.-U. seulement

IMPORTANT : Utiliser le câble à 3 conducteurs depuis l'alimentation électrique du domicile lorsque les codes locaux autorisent un tel raccordement.



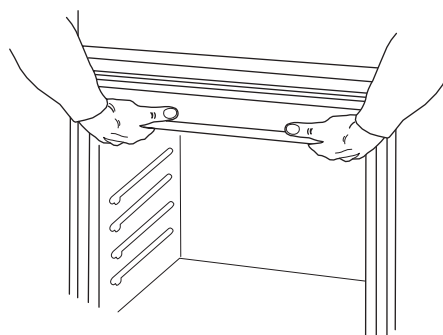
- | | |
|---|---|
| A. Câble depuis le point de distribution du domicile | F. Câble flexible à 4 conducteurs depuis le four |
| B. Boîtier de connexion | G. Conducteurs rouges |
| C. Conducteur noir | H. Connecteurs de fils (homologation UL) |
| D. Conducteur blanc | I. Connecteur de conduit (homologation UL ou CSA) |
| E. Conducteur vert (ou nu) de liaison à la terre (depuis le four) | |

1. Connecter ensemble les 2 conducteurs noirs (C) avec un capuchon de connexion (homologation UL).
2. Connecter les 2 conducteurs blancs (D) et le conducteur vert (ou nu) de liaison à la terre (du câble du four) avec un capuchon de connexion (homologation UL).
3. Connecter ensemble les 2 connecteurs rouges (G) avec un capuchon de connexion (homologation UL).
4. Installer le couvercle du boîtier de connexion.

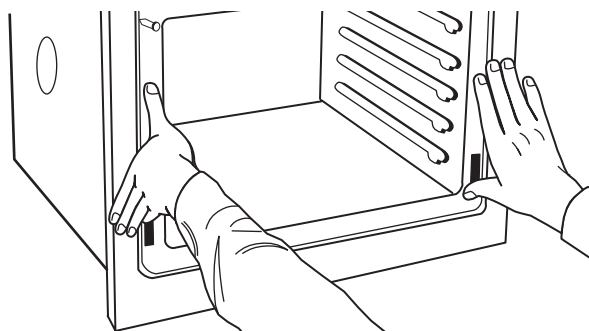
Installation du four

1. À l'aide d'au moins 2 personnes, soulever le four et l'introduire partiellement dans l'ouverture d'encastrement de l'armoire. Utiliser l'ouverture du four comme zone de prise.

REMARQUE : Pour introduire le four dans l'armoire, pousser contre la zone du joint du four située sur le châssis avant. Ne pas pousser contre les bords externes.

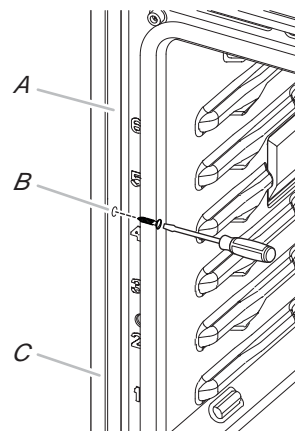


2. Pousser contre la zone du joint du châssis avant pour introduire le four dans l'armoire, jusqu'à ce que la surface arrière du châssis avant soit au contact de la paroi avant de l'armoire.



3. Pousser complètement le four dans l'armoire et le centrer dans la découpe de l'armoire.
4. Fixer solidement le four à l'armoire à l'aide des vis no 8-14 x 3/4 po (1,9 cm) fournies.

Insérer les vis dans les trous de la garniture noire en les alignant avec les trous du châssis du four. Ne pas serrer excessivement les vis.

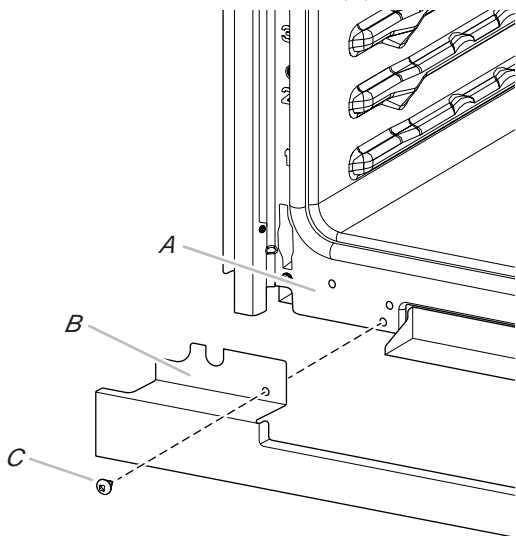


- | |
|-----------------------------------|
| A. Châssis du four |
| B. Trou de la garniture latérale |
| C. Pièce de la garniture latérale |

5. La garniture de l'évent inférieur et le protecteur de l'évent inférieur sont expédiés dans l'emballage en mousse du dessus du four.

Le grand protecteur d'évent inférieur est utilisé lorsque le four est installé avec les pieds dans la position haute. Veuillez communiquer avec le service pour obtenir des pieds qui vous seront livrés gratuitement.

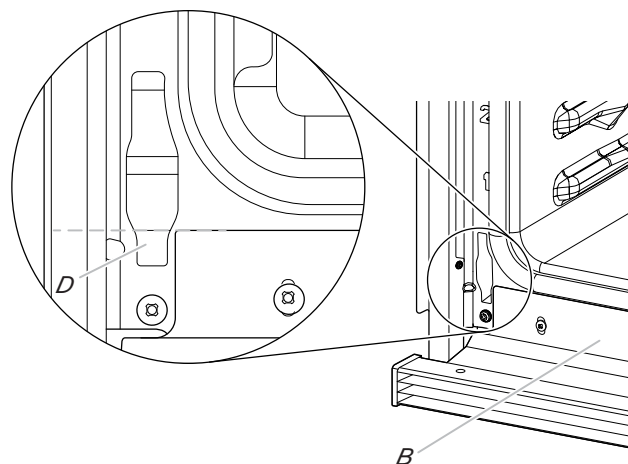
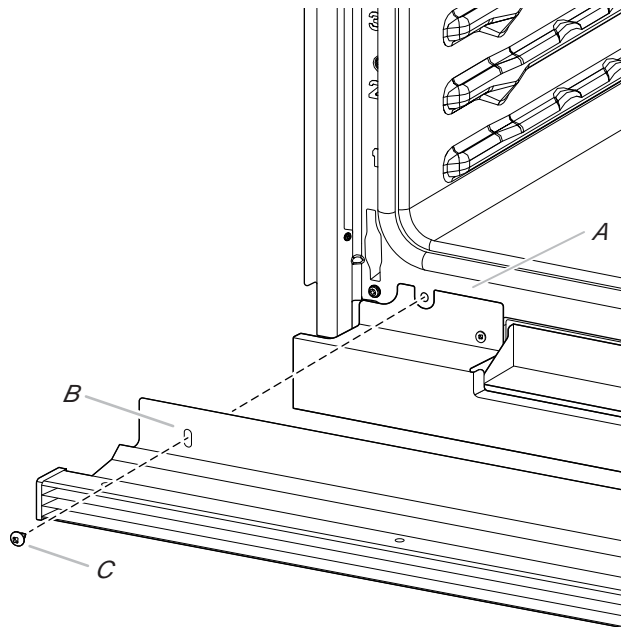
- Aligner l'onglet du protecteur de l'évent inférieur (B) avec le châssis du four (A) comme illustré.
- Avec une vis no 8-18 x 3/8 po (9,5 mm) (C) pour chaque côté de l'onglet l'écran de l'évent inférieur (B), fixer solidement l'évent au châssis du four (A).



A. Châssis du four
B. Onglet du protecteur d'évent inférieur
C. Vis no 8-18 x 3/8 po (9,5 mm)

6. Une fois le protecteur de l'évent inférieur installé.

- Aligner la languette de la garniture de l'évent inférieur (B) avec le châssis du four (A) comme illustré.
- Avec une vis no 8-18 x 3/8 po (9,5 mm) (C) pour chaque côté de la garniture du protecteur de l'évent inférieur (B), aligner l'onglet de la garniture de l'évent du haut et du bas (B) au récepteur de la charnière (D) comme illustré.
- Serrer la garniture de l'évent inférieur de façon sécuritaire au châssis du four (A).



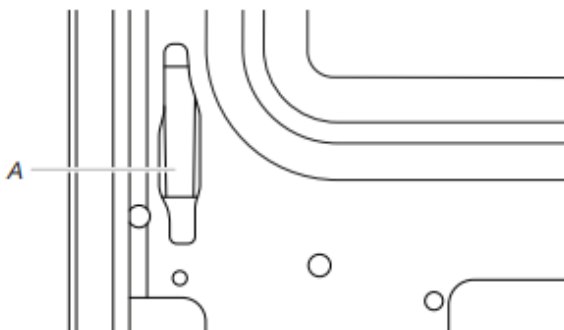
A. Châssis du four
B. Onglet de la garniture de l'évent inférieur
C. Vis no 8-18 x 3/8 po (9,5 mm)
D. Récepteur de la charnière

7. Réinstaller les grilles du four.
8. Réinstaller la porte du four. Voir la section « Réinstaller la ou les portes du four ».
9. Vérifier que la porte s'ouvre et se ferme facilement. Si ce n'est pas le cas, répéter la procédure pour enlever et reposer la porte. Voir la section « Préparer le four encastré ».
10. Répéter cette procédure pour la porte du four inférieur.
- IMPORTANT :** Pour que le four fonctionne correctement, vérifier que l'espace entre le bas de la porte et la garniture de l'évent inférieur est d'au moins 1/4 po (6,4 mm).
11. Rebrancher l'alimentation.

12. Le tableau d'affichage s'allume et se met en marche.
13. Si le tableau d'affichage ne s'allume pas, se reporter à la section « Garantie ».
14. Si le code d'anomalie F9E0 s'affiche au moment de la mise sous tension de l'appareil, c'est que l'appareil est mal raccordé au boîtier de connexion ou au panneau de distribution. Communiquer avec un électricien qualifié pour vérifier l'alimentation électrique de la maison et le raccordement de l'appareil au boîtier de connexion ou au panneau de distribution (consulter la section Options de raccordement électrique).

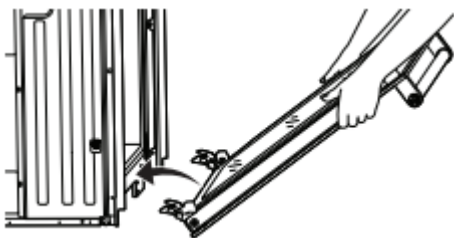
Réinstallation de la/des porte(s) du four

1. Saisir les bords latéraux de la porte par le milieu avec les deux mains. Se placer face à la cavité du four.
2. Repérer les encoches situées de chaque côté de la cavité du four pour les loquets de charnière de la porte.

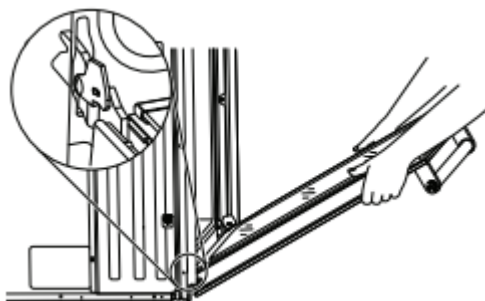


A. Encoche située dans la cavité du four pour le loquet de charnière de la porte

3. Saisir les bords de la porte du four avec les 2 mains. Avec un angle de 45°, insérer les charnières en même temps et pousser la porte du four dans les fentes de la cavité du four pour la réinstaller. Si nécessaire, basculer doucement la porte d'un côté et de l'autre en la poussant.

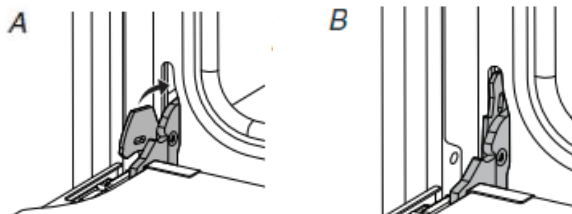


4. S'assurer que les encoches de charnière de la porte sont engagées au fond des fentes de la cavité du four.



IMPORTANT : Ne pas fermer la porte à cette étape pour ne pas endommager la charnière de la porte.

5. Abaisser la porte du four jusqu'à ce qu'elle soit complètement ouverte. Si la porte du four ne s'ouvre pas complètement à un angle de 90°, répéter les étapes 1 à 3.
6. Identifier les loquets de charnière de la porte du four dans les angles de la porte; faire pivoter les loquets de charnière vers la cavité du four jusqu'à la position de verrouillage.



A. Position déverrouillée

B. Position verrouillée

7. Après que les charnières de la porte ont été verrouillées, fermer doucement la porte. La fermeture de la porte ne doit pas être forcée.
8. Une fois les charnières correctement installées et la porte fermée, l'espace entre la porte et le tableau de commande doit être égal. Si l'un des côtés de la porte du four est plus bas que l'autre, la charnière de ce côté-ci n'est pas correctement installée.

Achever l'installation

1. Vérifier que toutes les pièces sont maintenant installées. S'il reste une pièce, passer en revue les différentes étapes pour découvrir laquelle aurait été oubliée.
2. Vérifier la présence de tous les outils.
3. Éliminer/recycler tous les matériaux d'emballage.
4. Pour le nettoyage du four, lire la section « Entretien et réparation du four à micro-ondes ».

Vérifier le fonctionnement d'un four simple et double

1. Mettre l'appareil sous tension.
 2. Avant la première utilisation, choisir la langue, régler l'horloge et toute autre préférence réglable, le cas échéant. Consulter le « Guide de commande » en ligne pour plus de renseignements.
 3. Lancer un programme de cuisson au gril.
- REMARQUE :** Au cours des premières utilisations du four, il est normal qu'il dégage des odeurs et de la fumée.
4. Attendre 5 minutes, puis vérifier la chaleur.

Si le four ne fonctionne pas, vérifier ce qui suit :

- Le fusible domestique est intact et bien visé ou le disjoncteur n'est pas ouvert.
 - La prise de courant est correctement alimentée.
 - Consulter la section « Dépannage » en ligne.
5. Placer la grille coulissante™ SatinGlide pour four intelligent, ainsi que les accessoires dans la position de grille du bas pour s'assurer que la bonne grille accessoire se trouve au fond.
 6. Pour les fours doubles, appuyer sur UPPER CANCEL/LOWER CANCEL (annulation four supérieur/annulation four inférieur). Pour les fours simples, appuyer sur CANCEL (annulation).

Pour obtenir de l'assistance ou une visite de service :

Consulter le Guide de démarrage rapide pour obtenir les coordonnées.

NOTES

NOTES

NOTES

NOTES

NOTES