

JGSS66EEL/SEL/FEL

GE® 30" Slide-In Front Control Gas Range

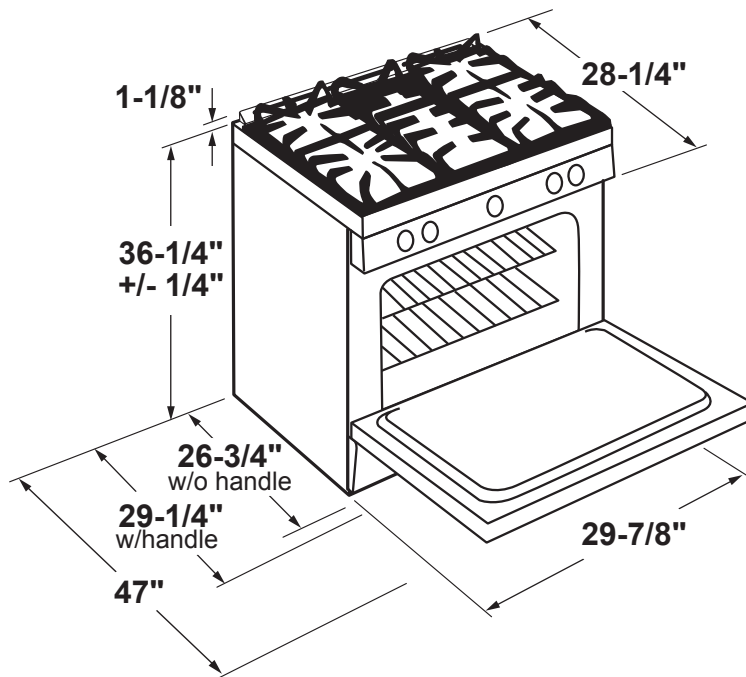
Dimensions and Installation Information (in inches)

Note: Door handle protrudes 3" from door face. Cabinets and drawers on adjacent 45° and 90° walls should be placed to avoid interference with the handle.

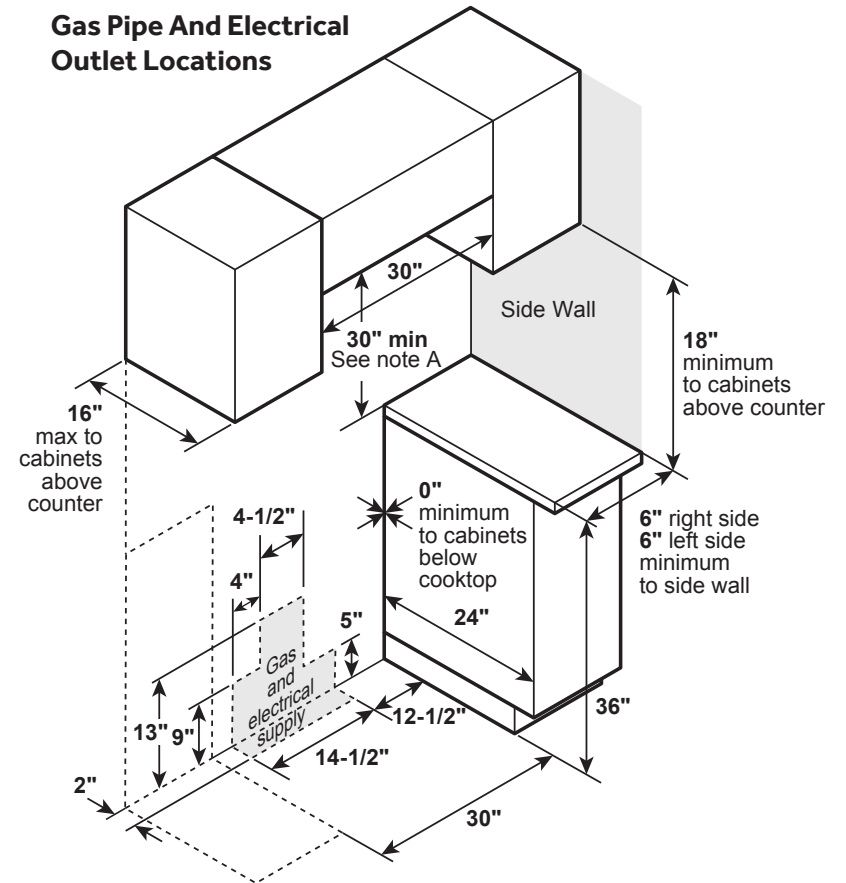
Note: Cabinets installed adjacent to slide-in ranges must have an adhesion spec of at least 194° F (90° C) temperature rating.

Installation Information: Before installing, consult installation instructions packed with product for current dimensional data.

For all installations, install the required rear trim to back of range with 4 screws provided.



Gas Pipe And Electrical Outlet Locations



Note A: 30" Minimum to bare cabinet, see installation instructions heights less than 30"



For answers to your Monogram, Café™, GE Profile™ or GE Appliances product questions, visit our website at geappliances.com or call GE Answer Center® Service, 800.626.2000.



All GE Appliances ranges are equipped with an Anti-Tip device. The installation of this device is an important, required step in the installation of the range.

JGSS66EEL/SEL/FEL

GE® 30" Slide-In Front Control Gas Range

Features and Benefits

Edge-to-Edge Cooktop – A large, continuous cooking surface gives you extra room for pots and pans of all sizes and lets cookware move easily from burner to burner

Two 15,000 BTU Power Boil Burners – Steam your favorite veggies on one burner while searing a steak on the other

Extra-Large, Integrated Griddle – Cook up to six grilled cheeses at once on the industry's largest integrated griddle

10,000 BTU Oval Burner – Large oval fifth burner is ideal for griddle or odd-size cookware

Steam Clean – Save time and effort by steam-cleaning the oven after cooking. No special water, kits or extra steps required

In-Oven Broil – Healthy meals are hassle-free with in-oven broiling

Smooth-Glide Storage Drawer – Drawer opens and closes easily for instant access and extra storage

5.3 Cu. Ft. Oven Capacity – From roasting pans to Dutch ovens, large cookware is no problem for this range

Finished Sides – Attractive look allows for installation flexibility in any kitchen

Model JGSS66EELES – Slate

Model JGSS66SELSS – Stainless steel

Model JGSS66FELDS – Black slate



Guaranteed Fit

Replace your old 30" free-standing range with a new 30" slide-in model. GE slide-in ranges are guaranteed for an exact fit or GE Appliances will pay up to \$300 toward modifications.

Visit geappliances.com for more info.

