

Installation Instructions

30" Electric Drop-In Ranges

Questions? Call 1.800.GE.CARES (1.800.432.2737)
or visit GEAppliances.com. In Canada, call 1.800.561.3344
or visit GEAppliances.ca

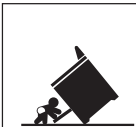


BEFORE YOU BEGIN

Read these instructions completely and carefully.

- **IMPORTANT** — Save these instructions for local inspector's use.
- **IMPORTANT** — Observe all governing codes and ordinances.
- **Note to consumer** – Keep these instructions for future reference.
- **Skill level** – Installation of this appliance requires a qualified installer or electrician.
- Proper installation is the responsibility of the installer.
- Product failure due to improper installation is not covered under warranty.
- **Note to Installer** – Be sure to leave these instructions with consumer.

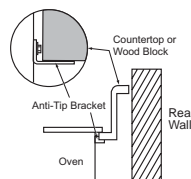
FOR YOUR SAFETY:



⚠ WARNING

Tip-Over Hazard

- A child or adult can tip the range and be killed.
- Install the anti-tip bracket to the wall or floor.
- Engage the range to the anti-tip bracket by sliding the range back such that the foot is engaged.
- Re-engage the anti-tip bracket if the range is moved.
- Failure to do so can result in death or serious burns to children or adults.



⚠ WARNING

Before

beginning the installation, switch power off at service panel and lock the service disconnecting means to prevent power from being switched on accidentally. When the service disconnecting means cannot be locked, securely fasten a prominent warning device, such as a tag, to the service panel.

If you did not receive an anti-tip bracket with your purchase, call 1.800.626.8774 to receive one at no cost. (In Canada, call 1.800.561.3344.) For installation instructions of the bracket, visit: GEAppliances.com. (In Canada, GEAppliances.ca.)

MATERIALS YOU MAY NEED

- Junction Box
- Wire Nuts
- Strain Relief Clamp for 1/2" Conduit

TOOLS YOU WILL NEED

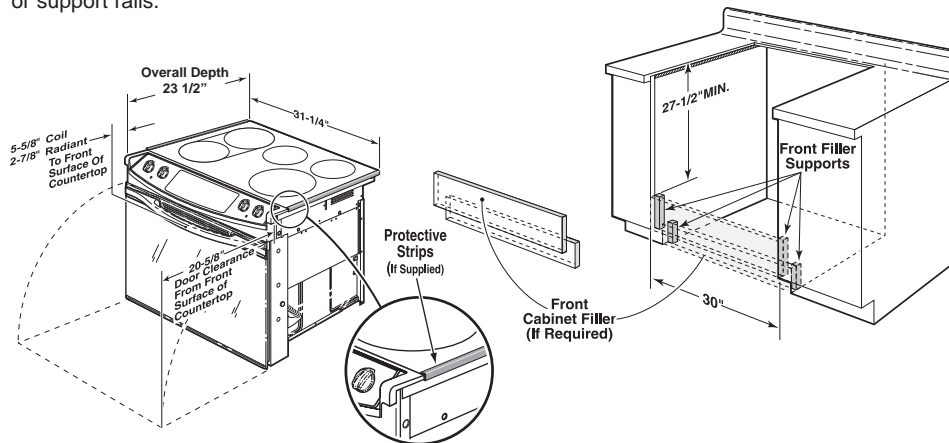
- 1/8" Drill Bit and Electric Drill
- Phillips Screwdriver
- Level
- Flathead Screwdriver
- Tape Measure
- 1/4" Nut Driver
- Straight edge or Square
- Hammer
- Hand or Saber Saw
- Pencil
- Safety Glasses

1 REMOVE PACKAGING MATERIALS

Failure to remove packaging materials could result in damage to the appliance. Remove all packing parts from oven, racks, and heating elements. Remove protective film and labels on the outer door and control panel. Also remove plastic on trims and panel and all tape around the oven. Open oven door and remove literature pack and oven racks. Remove the bottom trim from the side of the oven. It will be installed at the end of the installation process. The trim is wrapped separately in a plastic bag which will also contain the 4 screws to secure the bottom trim and the 2 shoulder screws used to secure the product to the cabinet.

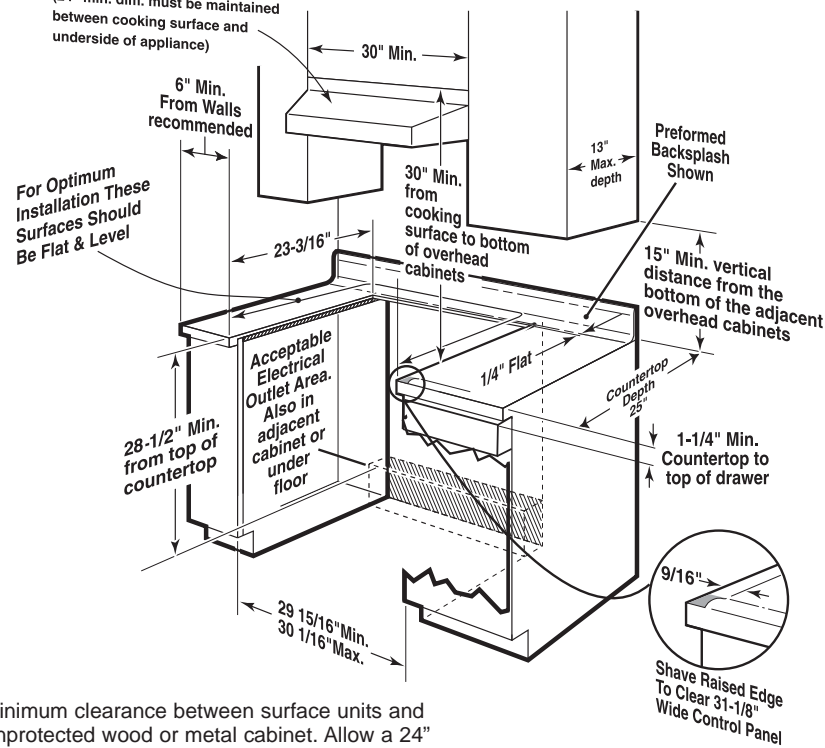
2 PREPARE THE OPENING (FOR INDOOR USE ONLY)

NOTE: Drop-In Ranges are designed to hang from the countertop only. Do not install on a platform or support rails.



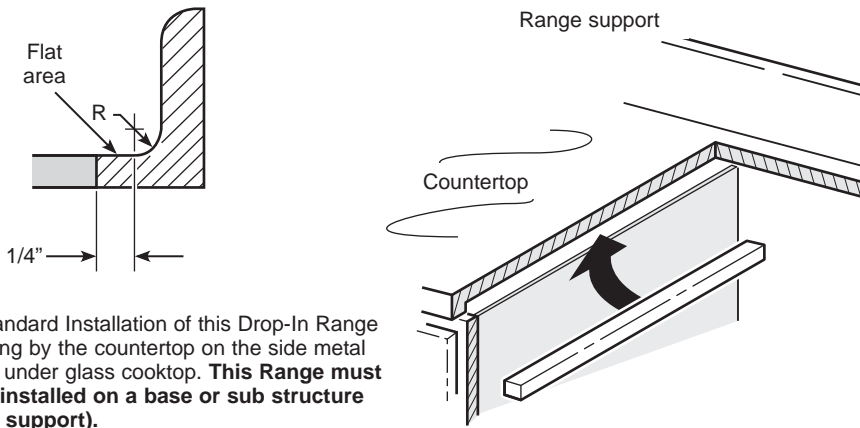
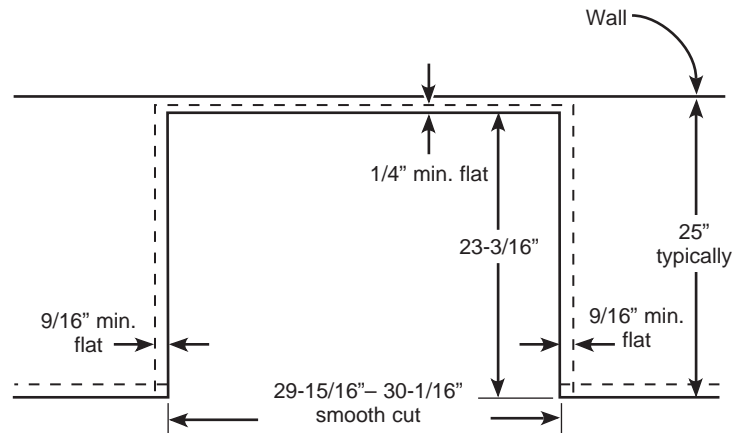
Follow instructions packaged with alternate appliances.

(24" min. dim. must be maintained between cooking surface and underside of appliance)



Allow 30" minimum clearance between surface units and bottom of unprotected wood or metal cabinet. Allow a 24" minimum when bottom of wood or metal is protected by no less than 1/4" thick flame retardant millboard covered with not less than No 28 MSG sheet metal (.015"), .015" thick stainless steel, .024" aluminum or .020" copper.

2 PREPARE THE OPENING (FOR INDOOR USE ONLY) (Cont.)



The Standard Installation of this Drop-In Range is to hang by the countertop on the side metal flanges under glass cooktop. **This Range must not be installed on a base or sub structure (2"x 4" support).**

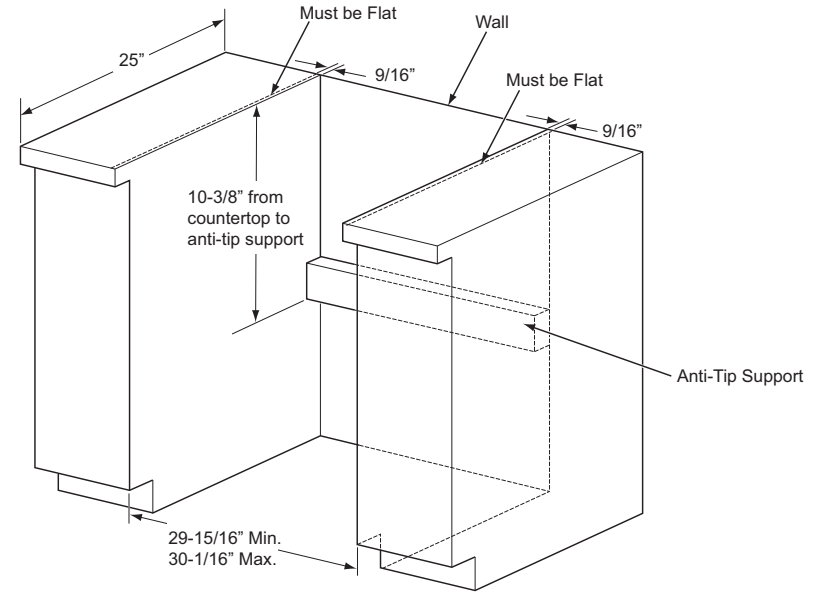
If the construction of your cabinet cannot provide a 1/4" flat area at the back of the countertop opening, consider changing the countertop to accommodate this dimension. If the area is not flat, excess tension may be applied to the glass cooktop, causing breakage and voiding the warranty.

- Countertop thickness 1-1/4" min. is required to support the product. Braces must be installed between the underside of the countertop and the cabinet if required to obtain 1-1/4" minimum thickness (each side).
- Make sure the wall coverings, counters and cabinets around the oven can withstand the heat (up to 200° F (93.3° C) generated by the oven.
- This appliance has been approved for 0" spacing to adjacent surfaces above the cooktop. However, a 6" minimum spacing to surfaces less than 15" above the cooktop and adjacent cabinet is recommended to reduce exposure to steam, grease splatter and heat.
- Locate the wiring junction box at the rear of the cutout. The dimension from the top of the wiring junction box to the countertop must be a minimum of 28-1/2". The box must not extend more than 3" off the plane of the wall. The junction box must be located where it will allow considerable slack in the range conduit, so that the range can be pulled out for service if necessary.

3 WHEN INSTALLING RANGE IN COUNTERTOP CUT OUT TO WALL

⚠ WARNING

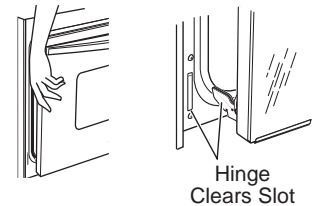
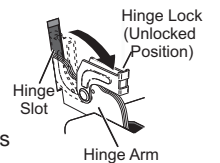
An additional anti-tip bracket support must be mounted to the rear wall of the cutout. The anti-tip bracket support is typically a 2x4 piece of lumber screwed directly into the wall studs. The anti-tip bracket support must be able to withstand 200 lbs of force at the engagement point.



4 REMOVE OVEN DOOR

Door removal is not a requirement for installation of the product but is an added convenience. To remove the door:

1. Open the oven door as far as it will go.
2. Push both hinge locks toward the door frame to the unlocked position. This may require a flat blade screwdriver.
3. Place hands on both sides of the door, and close the door to the removal position. This is half way between the broil stop and fully closed.
4. Lift the door up and out until the hinge arms clear the slots.



5 ELECTRICAL REQUIREMENTS

⚠ WARNING Electric Shock Hazard

- This appliance must be properly grounded.
- Do not use an extension cord.
- Before installing range, switch power off at the service panel and lock the service disconnecting means to prevent power from being switched on accidentally. When the disconnection means cannot be locked, securely fasten a prominent warning device, such as a tag, to the service panel.

Failure to follow these instructions may result in serious injury or death.

⚠ WARNING Fire Hazard

Improper connection of aluminum house wiring to copper leads can result in an electrical or fire hazard. If residence leads are aluminum, use only connectors designed for joining copper to aluminum and follow the manufacturer's recommended procedure closely. Failure to do so may result in serious injury or death. We recommend you have the electrical wiring and hookup of your range connected by a qualified electrician. After installation, have the electrician show you how to disconnect power from the range.

We recommend you have the electrical wiring and hookup of the appliance connected by a qualified electrician. After installation, have the electrician show you how to disconnect power from the appliance. You must use a single-phase, 120/208 VAC or 120/240 VAC, 60 Hertz electrical system. Effective January 1, 1996, the National Electrical Code requires that new construction (not existing) utilize a four-conductor connection to an electric oven. When installing an electric oven in new construction, a mobile home, recreational vehicle or area where local codes prohibit grounding through the neutral conductor, refer to the section on four-conductor branch circuit connections. Check with your local utilities for electrical codes which apply in your area. Failure to wire your oven according to governing code could result in a hazardous condition. If there are no local codes, your oven must be wired and fused to meet the National Electrical Code, NFPA No. 70-latest edition, available from the National Fire Protection Association.

Rating plate is located on oven front frame and is visible when oven door is open.

This appliance must be supplied with the proper voltage and frequency, and connected to an individual, properly grounded, 40 amp (minimum) branch circuit protected by a circuit breaker or time-delay fuse. DO NOT shorten the flexible conduit. The conduit strain relief clamp must be securely attached to the junction box and the flexible conduit must be securely attached to the clamp. If the flexible conduit will not fit within the clamp, do not install the oven until a clamp of the proper size is obtained. The 3 power leads supplied with this appliance are suitable for connection to heavier gauge household wiring. The insulation of these 3 leads is rated for temperatures much higher than the temperature rating of the household wiring. The current-carrying capacity of the conductor is governed by the wire gauge and the temperature rating of the insulation around the wire.

MAKE ELECTRICAL CONNECTIONS

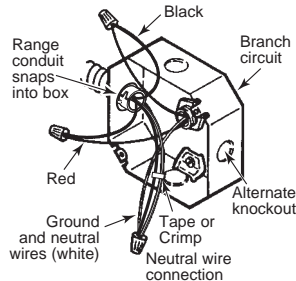
Place the unit on a platform or table even with the cutout opening. The platform must support 200 lbs. (91 kg). Connect the flexible conduit to the electrical junction box as follows:

THREE-CONDUCTOR BRANCH CIRCUIT CONNECTION

NOTE: If residence leads are aluminum conductors, see WARNING in section 5A, Electrical Requirements.

When connecting to a three-conductor branch circuit, if local codes permit:

1. Connect the oven ground conductor along with the neutral (white) lead to the branch circuit neutral (white or gray in color), using a wire nut.
2. Connect the oven red lead to the branch circuit red lead, and the oven black lead to the branch circuit black lead in accordance with local codes, using wire nuts.
3. Install proper strain relief clamp.
4. Install junction box cover.



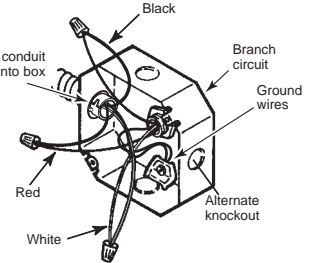
5 ELECTRICAL REQUIREMENTS (Cont.)

FOUR-CONDUCTOR BRANCH CIRCUIT CONNECTION

NOTE: If residence leads or ground are aluminum conductors, see WARNING in section 5A, Electrical Requirements.

When connecting to a four-conductor branch circuit, if local codes permit:

1. Free the neutral (white) lead from being restrained to any other wires. If necessary, cut the neutral (white) lead and then re-strip it to expose the proper length of conductor.
2. Attach the appliance grounding lead (green or bare copper) in accordance with local codes.
3. Connect the oven neutral (white) lead to the branch circuit neutral (white or gray) in accordance with local codes, using a wire nut.
4. Connect the oven red lead to the branch circuit red lead and the oven black lead to the branch circuit black lead in accordance with local codes, using wire nuts.
5. Install proper strain relief clamp.
6. Install junction box cover.



6 ANTI-TIP DEVICE INSTALLATION

⚠ WARNING

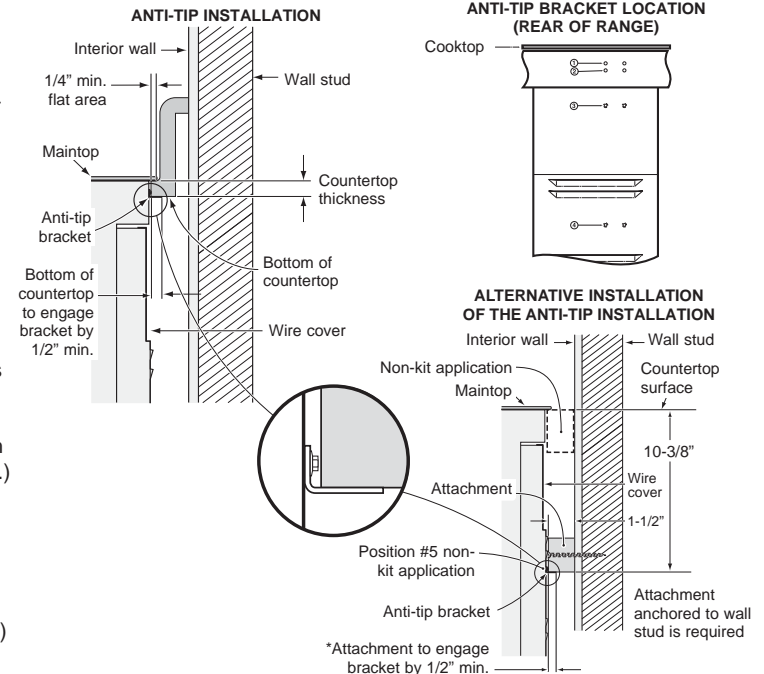
- To reduce the risk of tipping the range, the range must be properly secured to the countertop or rear wall using the anti-tip support. (See section 3 for details.)
- Weight on the door could potentially cause the range to tip and result in injury. Never allow anyone to climb, sit, stand, or hang on the oven door.

Installing the Anti-Tip Bracket

The anti-tip bracket is attached to the back of the Drop-In Range. It is designed to fit under the bottom of the countertop opening at the rear. Measure counter thickness at back of cutout to determine correct bracket location.

Select the proper position for the countertop thickness and move bracket to proper position. (Unit is supplied with bracket in position 1.)

1. For 1.18" (3 cm) Counter
2. For 1.5" Counter
3. For 3.5" Counter
4. Alternate (shown)

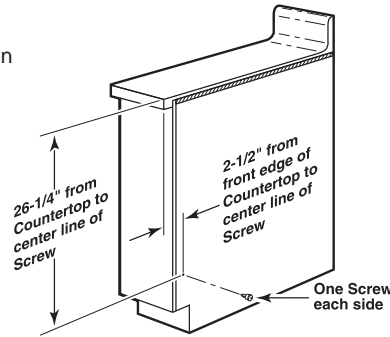


7 INSTALL THE RANGE

INSTALL STOP SCREW

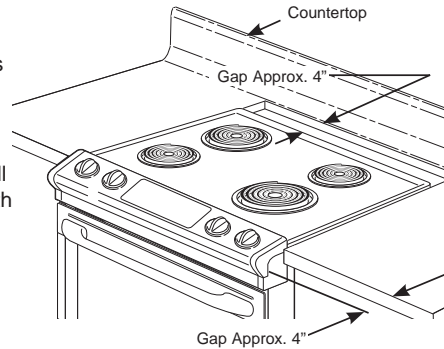
These screws prevent the range from sliding out of position during operation.

1. Carefully mark the cabinet for the location of the stop screws.
2. Drill 1/8" pilot holes into cabinet, on each side of the range. (Do not drill entirely through the cabinet wall.)
3. Carefully turn the shoulder screws into the pilot holes until they are tight.



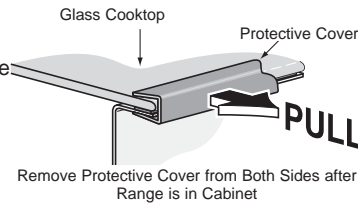
PLACING RANGE INTO THE OPENING

1. It is recommended that two people lift the range into place, carefully setting the side metal flanges under the glass on the edges of the countertop opening.
2. Carefully slide the range toward the back of the opening. Stop pushing the range when there is still a 4" gap at the front before flushing the range with the counter.



REMOVE THE PROTECTIVE CHANNELS (if provided)

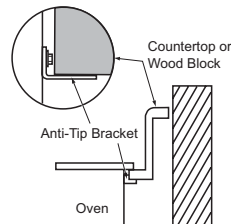
Carefully remove the protective channels from the sides of the glass cooktop. This may require a slight lifting of the range to remove the weight of the range from the protective channels.



CHECK ANTI-TIP BRACKET

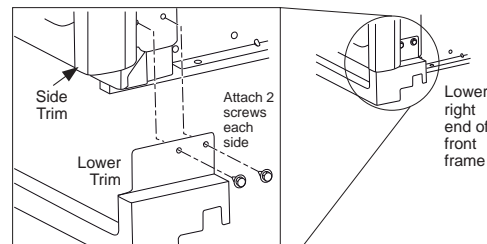
With the range still sitting out from the counter-top, confirm the anti-tip bracket is securely attached to the rear of the range, and slide the range back so that the anti-tip bracket slides just under the countertop or wood block attached to the rear wall.

If the range is pulled from the wall for any reason, always repeat this procedure to verify the range is properly secured by the anti-tip bracket.



ATTACH THE LOWER TRIM

Attach the lower trim (supplied separately with the range) to the bottom of the vertical side trim with the 4 screws supplied.



7 INSTALL THE RANGE (Cont.)

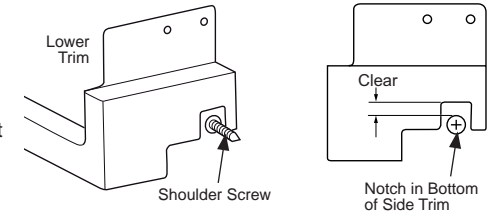
LOCATING THE STOP SCREW

Carefully slide the range towards the back of the opening. When the range is approximately 1" from the back of the opening, lift the front of the range approximately 1/2" to clear the stop screw located in the sides of the cabinet. Slide the range until it is seated into the opening.

Lower the front of the range onto the counter-top.

CHECK FOR PROPER INSTALLATION OF THE STOP SCREW

Look at both sides of the range under the door. The stop screws must be located in the notch on the sides of the range, and not touch the top of the notch when the range is fully seated on the countertop. If the screws do not meet the requirements, move the screws to a position that meets these requirements. (See illustration.)



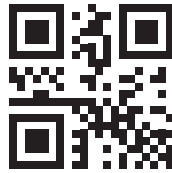
8 FINAL INSTALLATION CHECKLIST

- Check to make sure the circuit breaker is closed (RESET) or the circuit fuses are replaced.
- Be sure power is in service to the building.
- Check that all packing material and tape have been removed. Failure to remove these materials could result in damage to the appliance once the appliance has been turned on and surfaces have heated.
- Remove all items from inside the oven.
- Confirm that anti-tip device has been properly installed (see Section 6).
- Check that the bottom trim is installed properly (see Section 7).

OPERATION CHECKLIST

- Turn on one of the surface units to observe that the element glows within 60 seconds. Turn the unit off when glow is detected. If the glow is not detected within the time limit, recheck the range wiring connections. If change is required, retest again. If no change is required, have building wiring checked for proper connections and voltage.
- Check that the Clock display is energized. If a series of horizontal red lines appear in the display, disconnect power immediately. Recheck the range wiring connections. If change is made to connections, retest again. If no change is required, have building wiring checked for proper connections and voltage. It is recommended that the clock be changed if the red lines appear.
- Turn on the power to your oven (refer to Owner's manual). Verify that the bake and broil operate properly.
- See your owner's manual for trouble shooting list.
- Be sure all of the oven controls are OFF before leaving the oven.

Instrucciones de instalación Cocinas encastrables de 30"



¿Preguntas? Llame al 1.800.GE.CARES (1.800.432.2737)
o visite GEAppliances.com. En Canadá, llame al 1.800.561.3344
o visite GEAppliances.ca.

ANTES DE COMENZAR


Lea estas instrucciones por completo y con detenimiento.

- **IMPORTANTE** – Guarde estas instrucciones para el uso de inspectores locales.
- **IMPORTANTE** – Siga todos los códigos y ordenanzas vigentes.
- **Nota al instalador** – Asegúrese de dejar estas instrucciones con el consumidor.
- **Nota al consumidor** – Conserve estas instrucciones para referencia futura.
- **Nivel de destreza** – La instalación de este aparato debe efectuarla un instalador o electricista calificado.
- El instalador tiene la responsabilidad de efectuar una instalación adecuada.
- La garantía no cubre las fallas del producto debido a una instalación incorrecta.

PARA SU SEGURIDAD

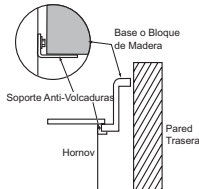
⚠ ADVERTENCIA

Riesgo de Caída



- Un niño o adulto pueden volcar la cocina y morir.
- Instale el soporte anti-volcaduras sobre la pared o el piso.
- Asegúrese la estufa al soporte anti-volcaduras deslizando la unidad hacia atrás de tal manera que la pata niveladora sea enganchada.
- Vuelva a adherir el soporte anti-volcaduras si la estufa se mueve de lugar.
- Si esto no se hace, se podrá producir la muerte o quemaduras graves en niños o adultos.

Si no recibió un soporte anti-volcaduras con su compra, llame al 1.800.626.8774 para recibir uno sin costo. (En Canadá, llame al 1.800.561.3344). Para recibir instrucciones de instalación del soporte, visite: GEAppliances.com (En Canadá, GEAppliances.ca).



⚠ ADVERTENCIA

Antes de comenzar la instalación, apague el encendido en el panel de servicio y bloquee el medio de desconexión del servicio a fin de evitar que el encendido se active de forma accidental. Cuando el medio de desconexión del servicio no se pueda bloquear, ajuste de manera segura un ítem de advertencia que esté bien visible, tal como una etiqueta, sobre el panel de servicio.

MATERIALES QUE PUEDE NECESITAR

- Caja de conexiones
- Tapones de alambre
- Abrazadera de alivio de tensión para conducto de 1/2"

HERRAMIENTAS NECESARIAS

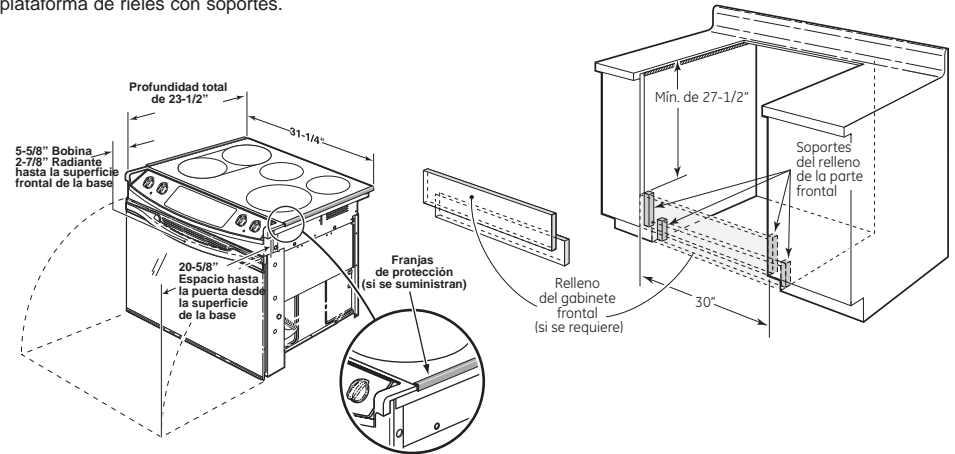
- Broca de perforadora de 1/8" y perforadora eléctrica
- Destornillador de estrella
- Nivel
- Destornillador con punta plana
- Cinta métrica
- Llave de tuercas de 1/4"
- Punta derecha o cuadrada
- Martillo
- Sierra de mano o sierra sable
- Lápiz
- Gafas de Seguridad

1 QUITE LOS MATERIALES DE ENVÍO

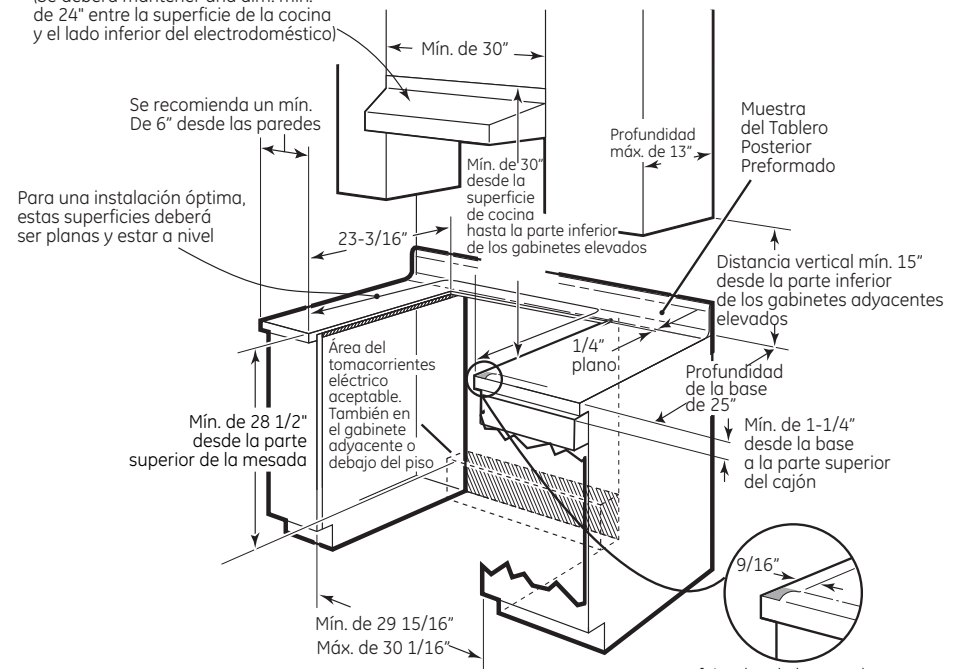
No quitar los materiales de empaque puede provocar daños al electrodoméstico.. Quite la película protectora y las etiquetas de la puerta exterior y panel de control. Además, quite el plástico de los rebordes y panel y toda la cinta colocada alrededor del horno. Abra la puerta del horno y quite el material informativo y las bandejas del horno. Quite el reborde inferior de la parte lateral del horno. Se colocará al final del proceso de instalación. El borde está envuelto de forma aparte en una bolsa plástica que también contendrá 4 tornillos para asegurar el borde inferior y los tornillos de tope usados para asegurar el producto al gabinete.

2 PREPARE LA ABERTURA (SÓLO PARA USO EN EL INTERIOR)

NOTA: Las cocinas empotrables son diseñadas para colgar de la base únicamente. No instale sobre una plataforma de rieles con soportes.



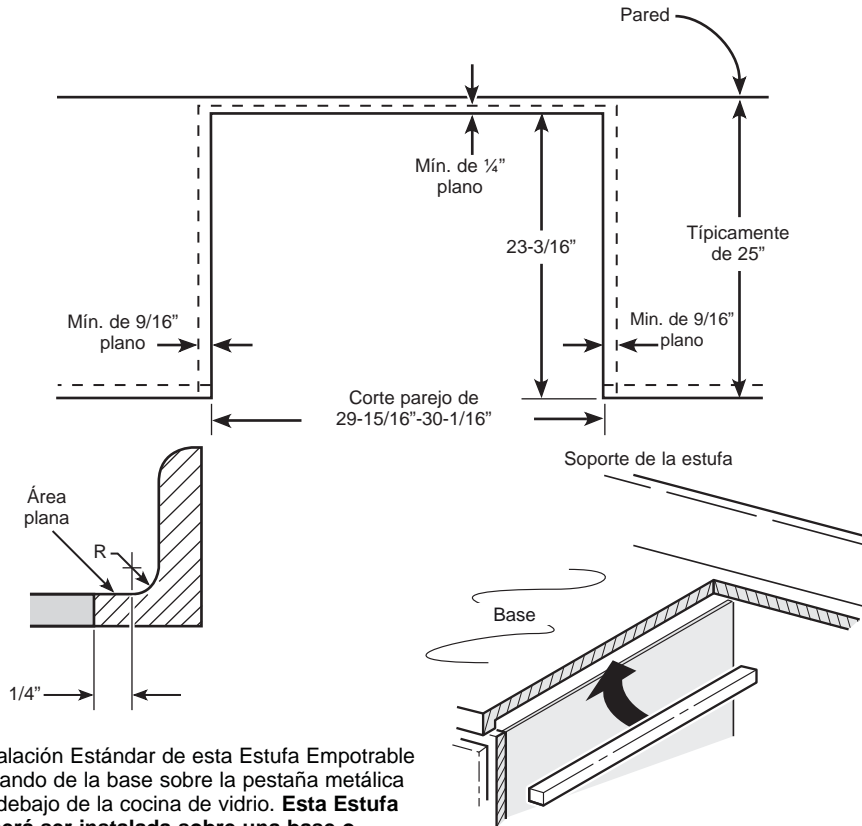
Siga las instrucciones embaladas con los electrodomésticos alternativos. (Se deberá mantener una dim. mín. de 24" entre la superficie de la cocina y el lado inferior del electrodoméstico)



Deje un espacio mínimo de 30" entre las unidades de la superficie y la parte inferior del gabinete de madera o metal sin protección. Deje un espacio mínimo de 24" cuando la parte inferior de la madera o metal estén protegidas por cartón de retardo de incendios de 1/4" de grosor, cubierto con no menos que una hoja de acero inoxidable N° 28 MGS de 0.15", de aluminio de 0.24" o de cobre de .020" de grosor.

Afeitar borde levantado para eliminar 31-1/8" de ancho del panel

2 PREPARE LA ABERTURA (SÓLO PARA USO EN EL INTERIOR) (Cont.)



La Instalación Estándar de esta Estufa Empotrable es colgando de la base sobre la pestaña metálica lateral debajo de la cocina de vidrio. **Esta Estufa no deberá ser instalada sobre una base o subestructura (soporte de 2" x 4").**

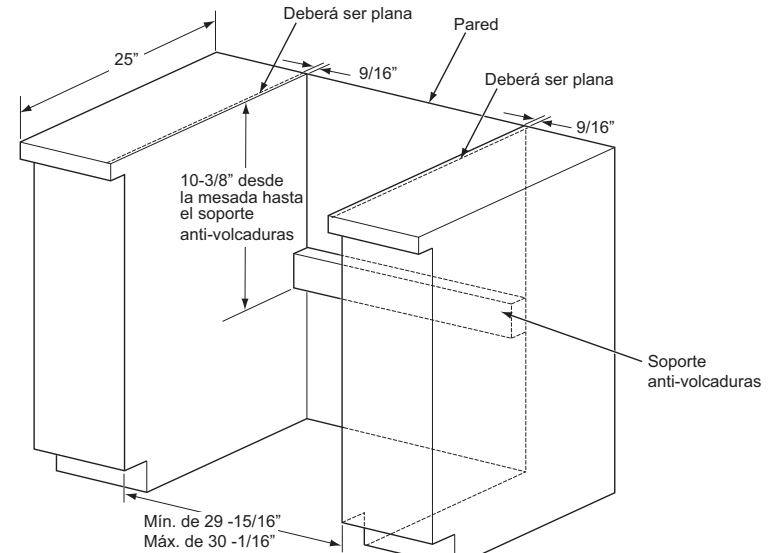
Si la construcción de su gabinete no puede brindar un área plana de $\frac{1}{4}$ " en la parte trasera de la abertura de la base, considere la posibilidad de cambiar la base para que se acomode a esta dimensión. Si el área no es plana, se podrá aplicar tensión excesiva a la cocina de vidrio, ocasionando roturas y anulando la garantía.

- Se requiere un grosor de la base mín. de $1\text{-}1/4$ " para el soporte del producto. Se deberán instalar abrazaderas entre el lado inferior de la base y el gabinete, si se requiere obtener un grosor mín. de $1\text{-}1/4$ " (en cada lado).
- Asegúrese de que los cobertores de pared, bases y gabinetes alrededor del horno puedan resistir el calor (hasta $200^{\circ}\text{F} / 93.3^{\circ}\text{C}$) generado por el horno.
- Este aparato ha sido aprobado para un espacio de 0 " respecto de superficies adyacentes sobre la estufa. Sin embargo, se recomienda un espacio mínimo de 6 " respecto de superficies menores a 15 " sobre la estufa y gabinete adyacente para reducir la exposición al vapor, salpicaduras de grasa y calor.
- Ubique una caja de conexiones de cableado en la parte trasera del recorte. La dimensión desde la parte superior de la caja de conexiones hasta el mostrador debe ser de un mínimo de $28\text{-}1/2$ ". La caja no debe extenderse más de 3 " del plano de la pared. La caja de conexiones debe ubicarse en un lugar en donde permita una holgura considerable en el conducto de la cocina, para que ésta pueda moverse a fin de efectuar reparaciones si fuera necesario.

3 CUANDO INSTALE LA COCINA EN UN MOSTRADOR QUE TIENE UN RECORTE EN LA PARED

⚠ ADVERTENCIA

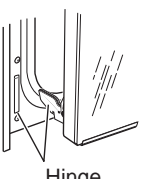
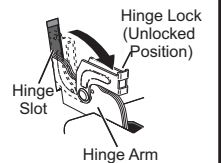
Se deberá montar un soporte anti-volcaduras adicional sobre la pared trasera de la abertura. El soporte anti-volcaduras es típicamente una pieza de madera de 2×4 que se atornilla directamente en montajes de pared. El soporte anti-volcaduras deberá poder resistir 200 libras de fuerza en el punto de adhesión.



4 QUITE LA PUERTA DEL HORNO

No es un requisito que se retire la puerta para la instalación del producto, pero es conveniente. Para retirar la puerta:

1. Abra la puerta del horno tanto como sea posible.
2. Empuje ambas trabas de las bisagras hacia el marco de la puerta hasta la posición destrabada. Esto podrá requerir el uso de un destornillador de punta plana.
3. Coloque las manos sobre ambos lados de la puerta, y cierre la misma en la posición para su retiro. Esto se encuentra entre la posición de detenimiento de la función de asar a la parrilla y totalmente cerrado.
4. Levante la puerta hacia arriba y afuera, hasta que los brazos de las bisagras despejen las ranuras.



Hinge Clears Slot

5 REQUERIMIENTOS ELÉCTRICOS

⚠ ADVERTENCIA Riesgo de descarga eléctrica

- Este aparato debe contar con una adecuada conexión a tierra.
- No utilice un cable de extensión.
- Antes de comenzar la instalación, desconecte la energía del panel de servicio y bloquee los medios de desconexión para evitar el accionamiento de la energía de manera accidental. Cuando los medios de desconexión de servicio no pueden bloquearse, coloque sobre el panel de servicio un dispositivo de advertencia bien visible, como una etiqueta.

No seguir estas instrucciones puede provocar una lesión grave o la muerte.

⚠ ADVERTENCIA Riesgo de incendio

Una conexión inadecuada de cableado doméstico de aluminio con cables de cobre puede generar un peligro eléctrico o un incendio. Si los cables domésticos son de aluminio, sólo use conectores diseñados para unir cobre con aluminio y siga al pie de la letra el procedimiento recomendado del fabricante. No hacerlo puede provocar una lesión grave o la muerte.

Recomendamos que un electricista calificado conecte el cableado eléctrico de su aparato. Después de la instalación, solicite al electricista que le indique cómo desconectar la energía del aparato.

Usted debe usar un sistema eléctrico de fase única de 120/208 VAC o 120/240 VAC de 60 hercios.

Vigente desde el 1 de enero de 1996, el Código Eléctrico Nacional requiere que las nuevas construcciones (no existentes) utilicen una conexión de cuatro conductores a un horno eléctrico. Cuando instale un horno eléctrico en una construcción nueva, una casa rodante, un vehículo recreativo o un área donde los códigos locales prohíben la conexión a tierra a través de un conductor neutral, consulte la sección sobre conexiones en circuito derivado de cuatro conductores.

Consulte a las empresas de servicio público sobre los códigos eléctricos que se aplican en su área. No realizar el cableado de su horno de acuerdo con los códigos vigentes puede provocar una situación peligrosa. Si no existen códigos locales, el cableado y fusibles de su horno deben cumplir con el Código Eléctrico Nacional, NFPA N° 70, última edición, disponible en National Fire Protection Association (Asociación Nacional de Protección contra Incendios).

La placa de clasificación se encuentra en el armazón frontal del horno y es visible cuando se abre la puerta del horno. Este electrodoméstico debe recibir el voltaje y frecuencia adecuados, y debe conectarse a un circuito derivado individual con adecuada conexión a tierra de 40 amperios (mínimo) protegido por un interruptor de circuitos o fusible con retraso.

NO acorte el conducto flexible. La abrazadera del alivio de tensión del conducto debe estar bien sujeta a la caja de conexiones y el conducto flexible debe estar bien sujeto a la abrazadera. Si el conducto flexible no entra dentro de la abrazadera, no instale el horno hasta obtener una abrazadera del tamaño adecuado.

Los 3 cables de energía suministrados con este aparato son adecuados para conexiones con cableados domésticos de calibre mayores. La aislación de estos 3 cables está clasificada a temperaturas mucho más elevadas que la clasificación del cableado doméstico. La capacidad de transmitir corriente del conductor está determinada por el calibre del cable y la clasificación de temperatura de la aislación alrededor del cable.

REALICE LAS CONEXIONES ELÉCTRICAS

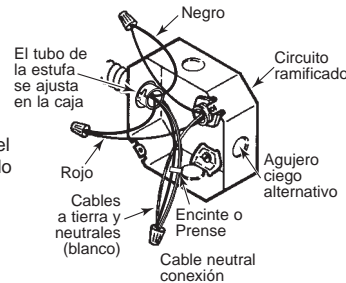
Coloque el horno sobre una mesa o plataforma en forma nivelada con la abertura. La plataforma debe poder soportar 200 lbs. (91 kg). Conecte el conducto flexible a la caja de conexiones eléctrica como se indica abajo.

CONEXIÓN DE CIRCUITO DERIVADO DE TRES CONDUCTORES

NOTA: Si los cables del hogar poseen conductores de aluminio, ver la ADVERTENCIA de la sección 5a, Requisitos eléctricos.

Cuando conecte un circuito derivado de cuatro conductores, si lo permiten los códigos locales:

1. Conecte el conductor de conexión a tierra junto con el cable neutro (blanco) al neutro del circuito de empalmes (de color blanco o gris), usando una tuerca para cables.
2. Conecte el cable rojo del horno al cable rojo del circuito derivado y el cable negro del horno al cable negro del circuito derivado de acuerdo con los códigos locales, utilizando taponeros de alambre.
3. Instale una abrazadera adecuada de alivio de tensión.
4. Instale la tapa de la caja de conexiones.



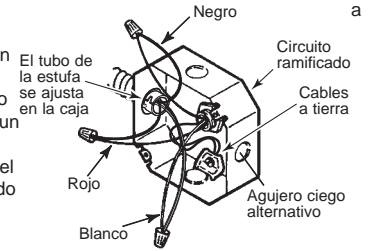
5 REQUERIMIENTOS ELÉCTRICOS (Cont.)

CONEXIÓN DE CIRCUITO DERIVADO DE CUATRO CONDUCTORES

NOTA: Si los cables domésticos o de conexión a tierra son conductores de aluminio, ver la ADVERTENCIA de la sección 5a, Requisitos eléctricos.

Cuando conecte un circuito derivado de cuatro conductores, si lo permiten los códigos locales:

1. Evite que el conductor neutro (blanco) quede enredado con cualquier otro cable. De ser necesario, corte el conductor neutro (blanco) y luego vuelva a pelar el mismo, fin de exponer la longitud adecuada del conductor.
2. Conecte el cable a tierra del aparato (verde o cobre) de acuerdo con los códigos locales.
3. Conecte el cable neutral (blanco) del horno con el neutral de circuito derivado (blanco o gris) de acuerdo con códigos locales, utilizando un tapón de alambre.
4. Conecte el cable rojo del horno al cable rojo del circuito derivado y el cable negro del horno al cable negro del circuito derivado de acuerdo con los códigos locales, utilizando taponeros de alambre.
5. Instale una abrazadera adecuada de alivio de tensión.
6. Instale la tapa de la caja de conexiones.



6 INSTALACIÓN DEL DISPOSITIVO ANTI-VOLCADURAS

⚠ ADVERTENCIA

- A fin de reducir el riesgo de volcaduras de la estufa, la misma deberá estar correctamente asegurada a la base o la pared trasera usando un soporte anti-volcaduras. (Para más detalles, consulte la sección 3).
- El peso sobre la puerta podría potencialmente hacer que la estufa se vuelque y que esto produzca lesiones. Nunca permita que nadie se trepe sobre, pare ni cuelgue de la puerta del horno.

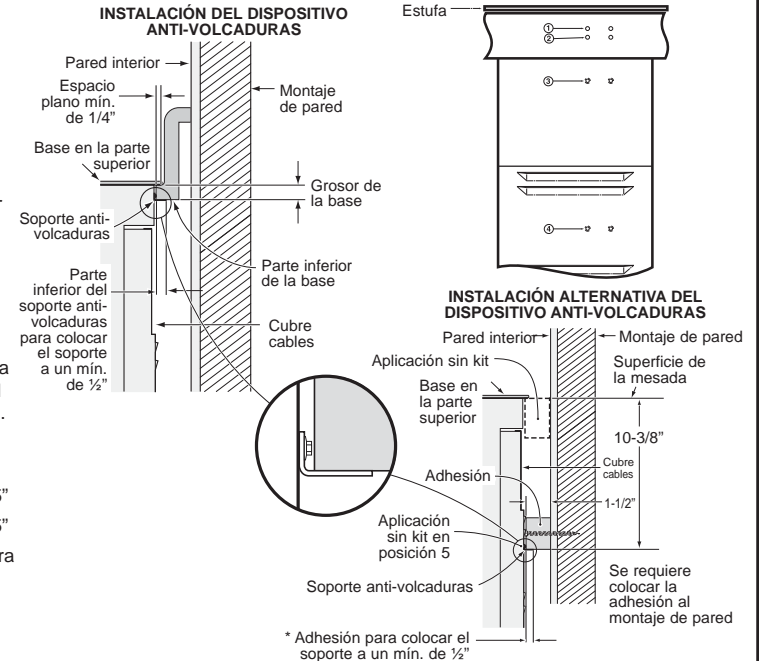
Instalación de los Soportes Anti-Volcaduras

El soporte anti-volcaduras se encuentra adherido a la parte trasera de la Cocina Empotrable. Fue diseñado para su ubicación debajo de la abertura de la base en la parte trasera. Mida el grosor de la base en la parte trasera de la abertura para determinar la ubicación correcta del soporte.

Seleccione la posición correcta de acuerdo al grosor de la base y mueva el soporte hasta la posición adecuada. (La unidad se entrega con el soporte en la posición 1).

1. Para una base de 1.18" (3 cm.)
2. Para una base de 1.5"
3. Para una base de 3.5"
4. Alternativa (se muestra a continuación)

UBICACIÓN DEL SOPORTE ANTI-VOLCADURAS (PARTE TRASERA DE LA COCINA)



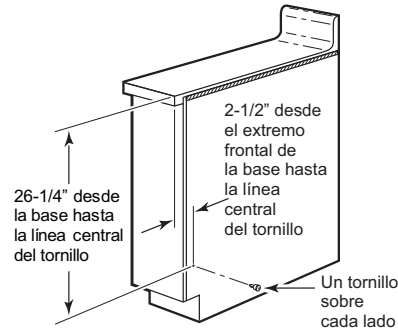
* Adhesión para colocar el soporte a un mín. de 1/2"

7 INSTALACIÓN DE LA COCINA

INSTALACIÓN DEL TORNILLO DE DETENCIÓN

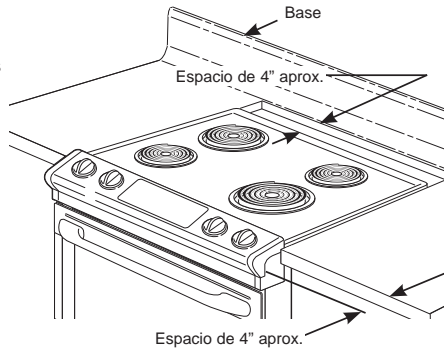
Estos tornillos evitan que la cocina se mueva de su posición durante el funcionamiento.

1. Con cuidado, marque en el gabinete la ubicación de los tornillos de detención.
2. Haga agujeros de prueba de 1/8" en el gabinete, sobre cada lado de la cocina. (No haga el agujero atravesando la pared del gabinete).
3. Con cuidado, gire los tornillos de tope en los agujeros de prueba hasta que queden ajustados.



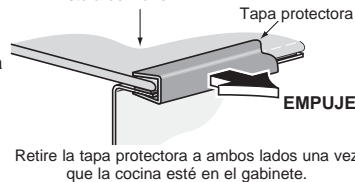
COLOCACIÓN DE LA COCINA EN LA ABERTURA

1. Es recomendable que dos personas levanten la estufa hasta su ubicación, colocando con cuidado las pestañas metálicas laterales debajo del vidrio sobre los extremos de la abertura de la base.
2. Con cuidado, deslice la cocina hacia la parte trasera de la abertura. Deje de empujar la cocina cuando aún haya un espacio de 4" en el frente, antes de colocar la cocina al ras de la base.



RETIRE LOS CANALES PROTECTORES (si están incluidos)

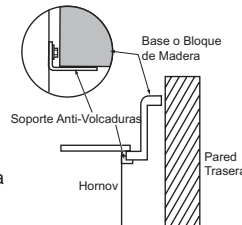
Con cuidado retire los canales protectores a ambos lados de la estufa de vidrio. Es posible que sea necesario levantar levemente la cocina, a fin de quitar el peso de la cocina sobre los canales protectores.



CONTROLE EL SOPORTE ANTI-VOLCADURAS

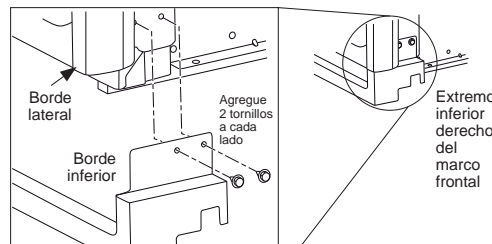
Con la cocina aún apoyada en parte afuera de la punta de la base, confirme que el soporte anti-volcaduras esté ajustado de forma segura a la parte trasera de la cocina, y vuelva a deslizar esta última de modo que el soporte anti-volcaduras se deslice debajo de la base o del bloque de madera ajustado a la pared trasera.

En caso de que la cocina sea empujada de la pared por alguna razón, siempre repita este procedimiento para verificar que la cocina esté correctamente asegurada por el soporte anti-volcaduras.



ADHIERA DEL BORDE INFERIOR

Adhiera el borde inferior (suministrado en forma aparte con la cocina) a la parte inferior del borde del lado vertical con los 4 tornillos provistos.



7 INSTALACIÓN DE LA COCINA (Cont.)

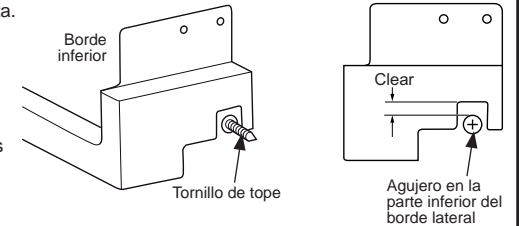
UBICACIÓN DEL TORNILLO SUPERIOR

Con cuidado, deslice la cocina hacia la parte trasera de la abertura. Cuando la cocina esté aproximadamente a 1" de la parte trasera de la abertura levante la parte frontal de la cocina aproximadamente 1/2" para retirar el tornillo superior ubicado a ambos lados del gabinete. Deslice la cocina hasta que se ubique en la abertura.

Baje la parte frontal de la cocina sobre la base.

CONTROLE QUE LA INSTALACIÓN DEL TORNILLO SUPERIOR SEA ADECUADA

Controle ambos lados de la cocina debajo de la puerta. Los tornillos superiores deberán estar ubicados en el agujero sobre los costados de la cocina, y no tocar la parte superior del agujero cuando la cocina se encuentre totalmente ubicada sobre la base. Si los tornillos no cumplen con los requisitos, mueva los mismos a una posición de modo que cumplan con los requisitos. (Vea la ilustración).



8 LISTA DE CONTROL FINAL DE LA INSTALACIÓN

- Verifique que el interruptor de circuitos se encuentre cerrado (RESET) o que los fusibles del circuito se hayan reemplazado.
- Asegúrese de que haya suministro eléctrico en el edificio.
- Controle que se haya quitado todo el material de empaque y la cinta adhesiva. No quitar estos materiales puede provocar daños al electrodoméstico una vez que el aparato se haya encendido y las superficies se hayan calentado.
- Quite todos los elementos ubicados dentro del horno.
- Confirme que el dispositivo anti-volcaduras haya sido instalado de forma correcta (consulte la Sección 6).
- Verifique que el reborde inferior esté bien instalado (ver sección 6).

LISTA DE CONTROL DE FUNCIONAMIENTO

- Accione una de las unidades de superficie para observar que el elemento se encienda dentro de los 60 segundos. Apague la unidad cuando se detecte el encendido. Si no se detecta el encendido dentro del límite de tiempo, vuelva a verificar las conexiones del cableado de la cocina. Si se requiere un cambio, vuelva a probar el aparato. Si no se requiere un cambio, haga controlar el cableado del edificio para verificar las conexiones y voltaje adecuados.
- Controle que la pantalla del reloj se haya encendido. Si en la pantalla aparece una serie de líneas rojas horizontales, desconecte la energía de inmediato. Vuelva a controlar las conexiones del cableado de la cocina. Si se efectúa un cambio en las conexiones, vuelva a probar el aparato. Si no se requiere un cambio, haga controlar el cableado del edificio para verificar las conexiones y voltaje adecuados. Se recomienda cambiar el reloj si aparecen las líneas rojas.
- Accione la energía del horno (consulte el Manual del propietario). Verifique que el horneado y el asado funcionen correctamente.
- Ver el Manual del propietario para la lista de detección y solución de problemas.
- Asegúrese de que todos los controles del horno se encuentren en OFF (apagado) antes de dejar el horno.