

IRB5160

Fully Integrated Appliances

LIEBHERR

Refrigeration and Freezing



home.liebherr.com



IRB5160	
Energy consumption (kWh / y)	280
Estimated Yearly Energy Cost in US \$	39
Sound rating dB(A)	32
Total capacity cu.ft. (l)	10.5
Refrigerator capacity cu.ft. (l)	7.0 (198)
BioFresh compartment cu.ft. (l)	3.5 (98)
Electronic control	Touch & Swipe
Defrost type	Automatic
Interior light	LightTower
Number of shelves	8 / 7 adjustable
Number of door racks	4 + 2 VarioBoxes
Refrigerator Temperature range °F (°C)	+37F to 48F (+3C to 9C)
Internal Water Dispenser	Yes
Ice maker	No
Ice cube output lbs. (kg.)	N/A
Ice cube stock lbs. (kg.)	N/A
Door hinges	right, reversible
Door installation	Door on door
Product dimensions	
in inch (H / W / D)	69 11/16" + 11/16" / 22 1/16" / 21 7/16"
in cm (H / W / D)	177.2-178.88/56- 57.8/55
Cut out dimensions	
in inch (H / W / D)	69 13/16-70 7/16 22 1/16-22 1/2 21 11/16
in cm (H / W / D)	177,2 - 178,8/56 - 57/55,0
Net weight lbs. (kg)	161.2 (73.1)
Voltage V / Hz	115/60

Accessories	
Door opening limitation (hinge pin)	9096214
Stainless steel panel w/ handle for 1 door appliance	9902007
Water filter	9883057
FreshAir activated carbon filter	9882460

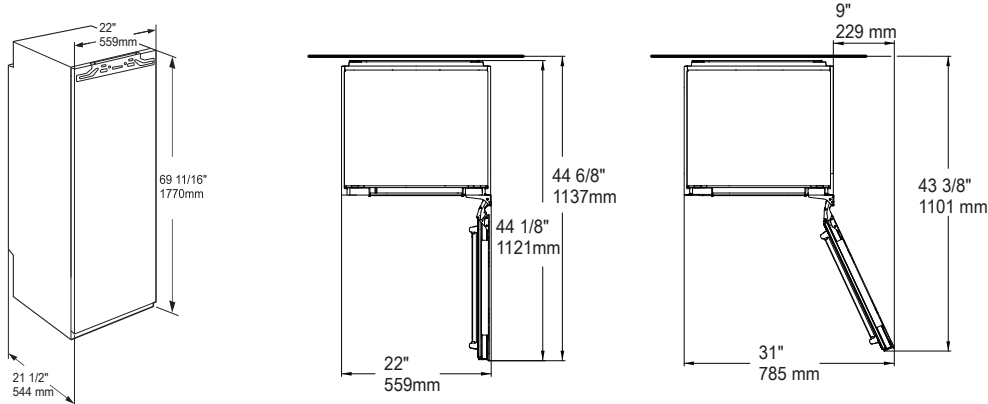
Features	
Power Cooling	The fan – as powerful as it is quiet – distributes the cold air efficiently throughout the entire refrigeration compartment.
Super Silent	Noise levels are kept to a minimum thanks to virtually silent, speed-controlled, and sound-absorbing compressors
Infinity Spring	The seamlessly integrated, flush-mounted InfinitySpring internal water dispenser is there when you need it, and virtually invisible when you don't.
Light Tower	Enjoy an optimally illuminated interior: the LightTower shows off the food in its best light and is positioned so that all of your filled fridge is illuminated at all times. The flush mounting of the LightTower in the side walls means there is also more space for your food.
Bio Fresh	Preserve just-bought groceries for optimum food freshness, while sealing in flavors and maintaining essential vitamins and minerals.
Smart Device Box	Want to be prepared for the future of the Smart Home? The SmartDeviceBox can be installed in just a few steps and will open up the whole world of digital possibilities to you today.

* Energy Cost will depend on utility rates and use. Estimated energy cost based on a national average electricity cost of 14 cents per kWh.

** Noise output – according to EN 60704-3

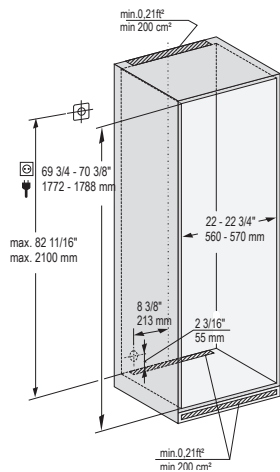
Diagrams

Product Dimensions



Important:
Stated product height dimensions consider leveled feet are fully inserted.

Frameless Dedicated Cabinet Box Dimensions



This is a fully integrated refrigerator appliance designed to be completely enclosed in a dedicated kitchen cabinet. This dedicated cabinet box must be constructed in accordance with the specified dimensions and must allow for sufficient air circulation to ensure proper operation. For more details about ventilation requirements, please refer to Design Guide.

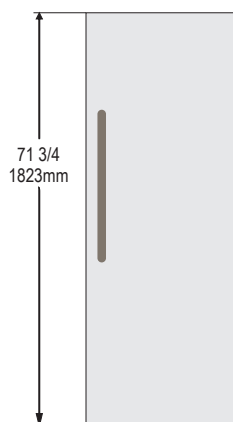
A ventilation grill (included with the appliance) must be installed in the base of the dedicated box, for dimensions of the toe kick ventilation grill, please refer to page 45. The toe kick area of the Dedicated Cabinet Box can be recessed like the rest of the kitchen cabinets.

We recommend that the power outlet be located outside the dedicated cabinet box for easy access. Free length of the power cord is 6.9 ft. (2.1m).

3" of the cabinet needs to be surface finished as it is visible when the door is open.

The appliance water connection and inlet solenoid valve are suitable for a water pressure of up to 1Mpa (10bar). The solenoid valve is 2 1/8"(55mm) at the bottom on the back of the appliances. Water inlet recommended maximum distance is 4 ft (1200mm)

Door Panel Dimensions



Custom panels should be at least 5/8"(16mm) and a maximum of 3/4"(19mm) thick and they should cover the front of the dedicated cabinet box.

For the exact size and design method, please refer to Design Guide.

Panel and handle max weight is 57 lbs. (26kg).

If using a "shaker style" panel that undershoots the minimum panel thickness, please be aware that you will need to use shorter screws than those supplied in the accessory pack.