

ID-24RO



FEATURES

Controls temperature within one degree of setpoint

Assure maximum freshness with low-temp, high-humidity crisper and deli drawers

Locks in cold air to ensure freshness with magnetic door seals

Control brightness with soft-on LED lighting

Open and close doors silently with soft-close technology

Order accessory panels with or without locks to secure contents

Accepts outdoor-rated stainless-steel accessory panels and handles to coordinate other Sub-Zero and Wolf outdoor appliances

ACCESSORIES

Dual Installation Kit

Outdoor Stainless Steel Drawer Panels With Pro Handle

Outdoor Stainless Steel Drawer Panels with Lock

Reduced Toekick Divider

Accessories are available through an authorized dealer.
For local dealer information, visit subzero-wolf.com/locator.



PRODUCT DETAILS

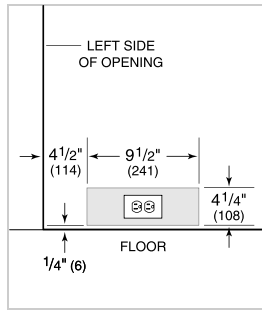
REFRIGERATOR

- Adjustable drawer dividers
- LED lighting

PRODUCT SPECIFICATIONS

Model	ID-24RO
Dimensions	24"W x 34 1/2"H x 24"D
Refrigerator Capacity	4 cu. ft.
Weight	185 lbs
Electrical Supply	115 VAC, 60 Hz
Electrical Service	15 amp dedicated circuit
Receptacle	3-prong grounding-type, GFCI

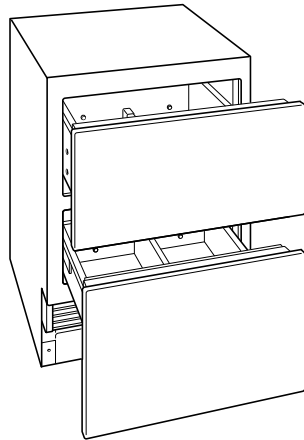
ELECTRICAL



NOTE: The electrical outlet must be positioned with the grounding prong to the right of the thinner blades.

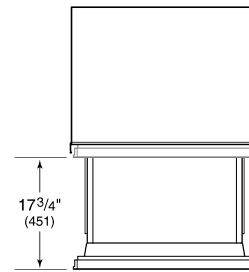
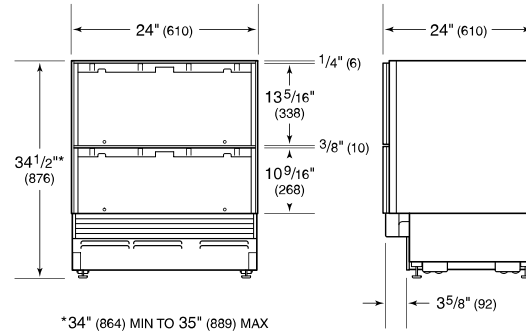
NOTE: Dimensions in parenthesis are in millimeters unless otherwise specified

INTERIOR VIEW

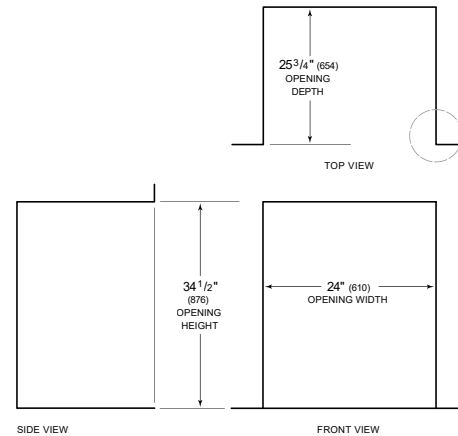


This illustration is intended for interior reference only and may not represent the exterior of the model being specified.

DIMENSIONS



STANDARD INSTALLATION



NOTE: 4 1/2 inch (114 mm) finished returns will be visible and should be finished to match cabinet.

