

# Ventilation

Use and Care Manual

Models DHL 755 B / HUI 31451



**BOSCH**

Invented for life



---

# Table of Contents

About This Manual .....	1
How This Manual Is Organized .....	1
Safety .....	1
Important Safety Instructions .....	1
Operation .....	2
Before Using the Appliance for the First Time .....	2
Operation .....	3
Getting the Most out of Your Appliance .....	3
Tips (For Best Results) .....	3
Cleaning and Maintenance .....	3
Cleaning .....	3
Maintenance .....	5
Service .....	6
Before Calling Service .....	6
Warranty .....	7

## Questions?

1-800-944-2904

[www.boschappliances.com](http://www.boschappliances.com)

1901 Main Street  
Irvine, CA 92614

We look forward to hearing from you!

---

# About This Manual

## How This Manual Is Organized

This manual contains several sections:

- The *Overview* section describes the features and functionality, including a description of how to set it up and operate the control panel.
- The *Operation* section describes how to operate and get the best performance out of each component.
- The *Cleaning and Maintenance* section describes how to clean and maintain your appliance.
- The *Service* section includes troubleshooting tips and your Warranty.

Before using your appliance, be sure to read this manual. Pay special attention to the **Important Safety Instructions** located at the beginning of the manual.

---

## Safety



### Important Safety Instructions

READ AND SAVE THESE INSTRUCTIONS

#### Important Safety Instructions

##### Fire Safety

- Always have a working smoke detector near the kitchen.
- **WARNING - TO REDUCE THE RISK OF A GREASE FIRE:**
  - a) Never leave surface units unattended at high settings. Boilovers cause smoking and greasy spillovers that may ignite. Heat oils slowly on low or medium settings.
  - b) Always turn hood ON when cooking at high heat or when flambing food (i.e. Crepes Suzette, Cherries Jubilee, Peppercorn Beef Flambe').
  - c) Clean ventilating fans frequently. Grease should not be allowed to accumulate on fan or filter.
  - d) Use proper pan size. Always use cookware appropriate for the size of the surface element.
- In the event that personal clothing or hair catches fire, drop and roll immediately to extinguish flames.
- Smother flames from food fires other than grease fires with baking soda. Never use water on cooking fires.
- **WARNING - TO REDUCE THE RISK OF INJURY TO PERSONS IN THE EVENT OF A RANGE TOP GREASE FIRE, OBSERVE THE FOLLOWING:**
  - a) **SMOTHER FLAMES** with a close-fitting lid, cookie sheet, or metal tray, then turn off the burner. **BE CAREFUL TO PREVENT BURNS.** If the flames do not go out immediately, **EVACUATE AND CALL THE FIRE DEPARTMENT.**

- b) NEVER PICK UP A FLAMING PAN - You may be burned.
- c) c) DO NOT USE WATER, including wet dishcloths or towels - a violent steam explosion will result.
- d) Use an extinguisher ONLY if:
  - 1) You know you have a Class ABC extinguisher, and you already know how to operate it.
  - 2) The fire is small and contained in the area where it started.
  - 3) The fire department is being called.
  - 4) You can fight the fire with your back to an exit.
- Have an appropriate fire extinguisher available, nearby, highly visible and easily accessible near the oven.
- Whenever possible, do not operate the ventilation system during a cooktop fire. However, do not reach through fire to turn it off.

### Child Safety

- When children become old enough to use the appliance, it is the legal responsibility of the parents or legal guardians to ensure that they are instructed in safe practices by qualified persons.
- Do not allow anyone to climb, stand, lean, sit, or hang on any part of an appliance, especially a door, warming drawer, or storage drawer. This can damage the appliance, and the unit may tip over, potentially causing severe injury.
- Do not allow children to use this appliance unless closely supervised by an adult. Children and pets should not be left alone or unattended in the area where the appliance is in use. They should never be allowed to play in its vicinity, whether or not the appliance is in use.
- CAUTION - Items of interest to children should not be stored in an appliance, in cabinets above an appliance or on the backsplash. Children climbing on an appliance to reach items could be seriously injured.

### Proper Installation and Maintenance

- Have the installer show you the location of the circuit breaker or fuse. Mark it for easy reference.
- This appliance must be properly installed and grounded by a qualified technician. Connect only to properly grounded outlet. Refer to Installation Instructions for details.
- This appliance is intended for normal family household use only. It is not approved for outdoor use. See the Warranty. If you have any questions, contact the manufacturer.
- Do not store or use corrosive chemicals, vapors, flammables or nonfood products in or near this appliance. It is specifically designed for use when heating or cooking food. The use of corrosive chemicals in heating or cleaning will damage the appliance and could result in injury.
- Do not operate this appliance if it is not working properly, or if it has been damaged. Contact an authorized servicer.
- Do not repair or replace any part of the appliance unless specifically recommended in this manual. Refer all servicing to a factory authorized service center.
- CAUTION: Grease left on filters can remelt and move into the vent.

### Proposition 65 Warning:

This product may contain a chemical known to the State of California, which can cause cancer or reproductive harm. Therefore, the packaging of your product may bear the following label as required by California:

**STATE OF CALIFORNIA PROPOSITION 65 WARNING:**



Cancer and Reproductive Harm - [www.P65Warnings.ca.gov](http://www.P65Warnings.ca.gov)

---

# Operation

## Before Using the Appliance for the First Time

### Operation

#### Control (Panel)

**A Note about Drafts:** Drafts across the range or cooktop will reduce the effectiveness of the hood. Such drafts should be prevented when possible. The best job of ventilation in the kitchen is done when the only air currents are those created by the blower itself

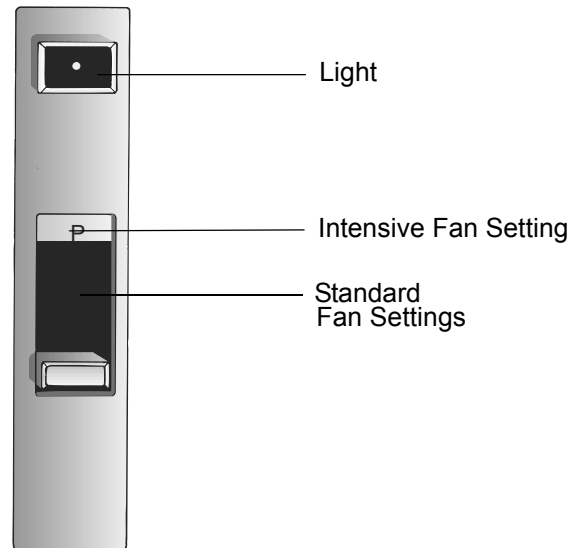


Figure 1: Control

---

# Getting the Most out of Your Appliance

## Tips (For Best Results)

The blower should be turned on for about five minutes before cooking in order to establish air currents upward through the hood. Thus when heat, smoke, moisture, grease and cooking odors are produced, they will be carried outside instead of drifting into other rooms. Use the low speeds for normal use and the higher speeds for strong odors or fumes.

---

# Cleaning and Maintenance

## Cleaning

**WARNING** - Be sure the entire appliance (including the grease filters and light bulbs, if applicable) has cooled and grease has solidified before attempting to clean any part of the appliance.

## Daily Cleaning

Wipe with soapy water, rinse and dry.

## Cleaning Guidelines

### Avoid these cleaners

DO NOT use the following!

- Abrasive Pads such as those made from steel wool SOS®, Brillo® or plastic mesh.
- Abrasive cleaners such as Comet®, Ajax® and Zud®.
- Flammable products such as gasoline or kerosene.

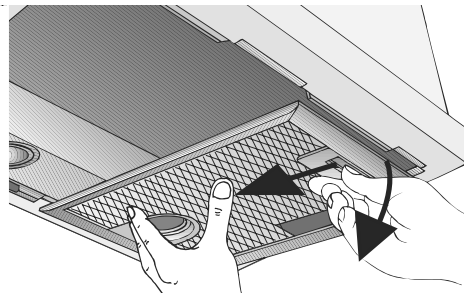
### Filters



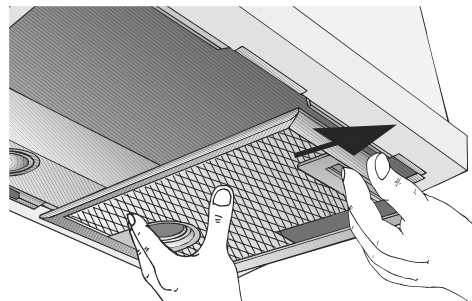
**CAUTION:** To avoid fire hazard, keep filters clean. Grease left on filters can remelt and migrate along the vent path.

### Aluminum Filter

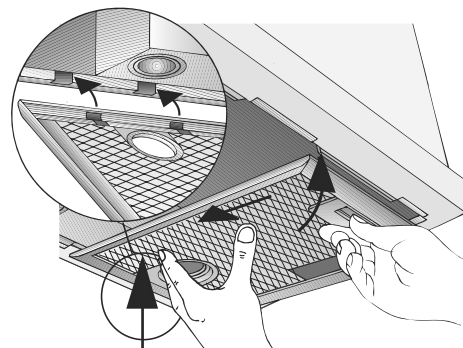
Removable aluminum filters must be cleaned when they collect grease. When used over a wok or other high grease application, more frequent cleaning may be required. They can be cleaned with soap and water or in the dishwasher. When clean in the dishwasher, slight discoloration may occur.



**Figure 2: Aluminum Filter Removal - Step 1**



**Figure 3: Aluminum Filter Removal - Step 2**



**Figure 4: Aluminum Filter Removal - Step 3**

## Cleaning Chart

Table 1: Cleaning Chart

Part or Surface	Suggested Technique	Notes
Plastic (Buttons)	Wipe with sudsy water or household cleaners such as Fantastic® or Formula 409®, rinse well and dry with a clean soft cloth to avoid water marks.	
Stainless Steel	Wipe and dry stainless steel in the same direction as the grain. Avoid using too much pressure, which may mar the surface. To remove finger prints and give added shine, use cleaners such as Stainless Steel Magic®.	Do not allow any cleaning compounds to remain in contact with stainless steel for extended periods.
Glass	Use warm soapy water and/or a mild window cleaner.	

## Maintenance

### Lights



**CAUTION:** Turn power off at breaker before removing a damaged bulb. Do not touch the bulbs immediately after use. The bulbs will remain hot for several minutes.

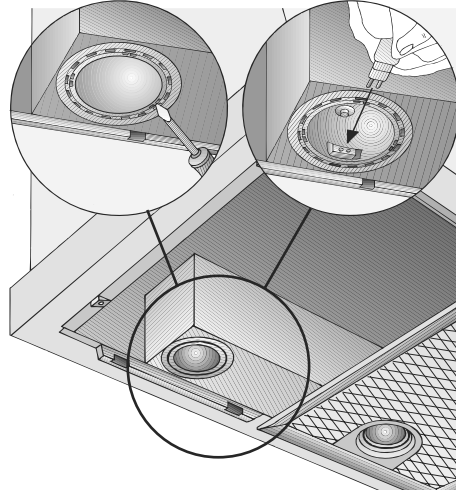
- **WARNING:** Make sure the appliance and lights are cool and power to the appliance has been turned off before replacing the light bulb(s). Failure to do so could result in electrical shock or burns.
  - The lenses (if equipped) must be in place when using the appliance.
  - The lenses (if equipped) serve to protect the light bulb from breaking.
  - The lenses (if equipped) are made of glass. Handle carefully to avoid breaking. Broken glass could cause an injury.

### Light Bulb Replacement

Use a 12V halogen bulb (max. 20Watt) with a two pin, G4 base.

**Note:** DO NOT touch a new halogen bulb with your fingertips. Grasp the bulb through a clean paper towel or facial tissue. The oils from your skin can reduce the longevity of the bulb.

Use a small flathead screwdriver (or your fingernail) to remove the lens.



**Figure 5: Light Bulb Replacement**

Pull damaged bulb straight out from the socket to remove. Press pins in bulb base straight into socket until fully seated. Snap lens back into place.

Do not use cooktop while hood is disassembled, to ensure adequate ventilation.

---

# Service

## Before Calling Service

Use the suggestions in the chart below before calling for service to avoid service charges.

### Troubleshooting Chart

Table 2: Troubleshooting

Problem	Suggested Solution
Noise during operation	Some noise is normal do to vibration and air movement. Excessive noise could indicate one of the following: <ol style="list-style-type: none"><li>1. Ductwork is too small / undersized</li><li>2. Ductwork is too large / oversized</li><li>3. Ductwork is loose</li><li>4. Transition is too small or is loose</li><li>5. Wood screws are not fully tightened</li><li>6. Loose screws in trim parts, etc.</li></ol> Check Installation Instructions to verify that ductwork is the proper size. Tighten screws.
Noise when unit is off	Backflow flap on outside of duct wall cap moves with the wind. This is normal.



Table 2: Troubleshooting

Problem	Suggested Solution
Fan motor does not work	1. Power supply is insufficient 2. Electrical wiring is incorrectly connected See Installation Instructions for further information
Lights hum	A slight hum is normal
Hood trips breaker	1. Electrical wiring is incorrectly connected 2. Circuit is not sufficient. See Installation Instructions for further information

## How to Obtain Service or Parts

To reach a service representative, see the contact information at the front of the manual. Please be prepared with the information printed on your product data plate when calling.

### Product Data Plate

The data plate shows the model and serial number. Refer to the data plate on the appliance when requesting service. It is located on the frame near the drawer. Open the drawer to view it.

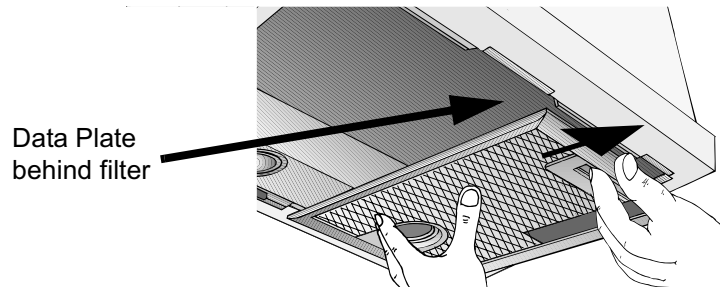


Figure 6: Data Plate Location

# Warranty

## General Information

The warranties provided by BSH Home Appliances Corp. in this Statement of Limited Warranty apply only to the BSH Ventilation Hood (“hood”) and Internal Blower sold to you, the first using purchaser, provided that the hood and blower were purchased (1) for your use and not for resale and (2) in the United States or Canada and is located in the country of purchase. As used in this Statement of Limited Warranty, the term “Date of Installation” shall refer to the earlier of the date the hood and internal blower are installed or ten (10) business days after the date the hood and internal blower are sold to the first using purchaser, the warranties stated herein apply only to the first using purchaser and are not transferable.

## Standard Limited Warranty

Standard Limited Warranty BSH warrants that its hood and internal blower are free from defects in materials and workmanship for a period of twelve (12) months from the Date of Installation. During the warranty period, BSH or its authorized service center will repair or replace, at its sole option, any hood or internal blower that proves to have been defective under conditions of normal use without charge. All removed parts and components shall become the property of BSH, at BSH’s option. All replaced and/or repaired parts shall assume the identity of the original part for purposes of this warranty and this warranty shall not be extended with respect to such parts.

## Other Conditions of the Limited Warranties

Other Conditions of the Limited Warranties The warranties provided in this Statement of Limited Warranty exclude defects or damage resulting from (1) use of the hood or internal blower in other than its normal and customary manner (commercial use of the hood or internal blower shall not be deemed normal or customary), (2) misuse, abuse, accidents or neglect, (3) improper operation, maintenance, installation or unauthorized service, (4) adjustment or alteration or modification of any kind, (5) a failure to comply with applicable state, local, city, and county electrical and/or building codes and (6) external forces such as floods, fires, acts of God or other circumstances beyond BSH’s control. Also excluded from this warranty are scratches and damages on external surfaces and exposed parts of the hood and internal blower on which the serial numbers have been altered, defaced or removed. To the extent allowed by law, this warranty sets out your exclusive remedies with respect to products covered by it, whether the claim arises in contract or tort (including strict liability and negligence) or otherwise. BSH will not be liable for consequential or incidental damages, losses, or expenses. THIS WARRANTY IS IN LIEU OF ALL OTHER EXPRESS WARRANTIES. ANY WARRANTY IMPLIED BY LAW, WHETHER FOR MERCHANTABILITY OR FITNESS FOR A PARTICULAR PURPOSE OR OTHERWISE, SHALL BE EFFECTIVE ONLY FOR THE PERIOD THAT THIS EXPRESS WARRANTY IS EFFECTIVE. No attempt to alter, modify, or amend this warranty shall be effective unless authorized in writing by an officer of BSH.

## How to Obtain Warranty Service

How to Obtain Warranty Service To obtain warranty service for the hood or internal blower, you should contact the nearest BSH authorized service center or the BSH Customer Support Call Center, 1901 Main Street, Irvine, CA 92614, 1-800-944-2904. Please have your model number and serial number when you call. They are printed on the inside left panel of the hood and the bottom of the internal blower.

## Notice To California Owners

NOTICE TO CALIFORNIA OWNERS If your hood or internal blower needs warranty service and there is no authorized BSH service center reasonably close to you, you may notify the BSH reseller from whom you purchased the hood or internal blower. If the BSH reseller fails to repair or replace the defective parts, or partially refund your purchase price (where applicable), you may have the hood or internal blower repaired at any large appliance repair shop or center and you will be reimbursed for all reasonable expenses provided the costs are substantiated in writing and the work performed is covered by this warranty. BSH shall not reimburse any repair costs hereunder which exceed the depreciated value of the hood or internal blower.



---

# Table des matières

À propos de ce guide .....	1
Organisation de ce guide .....	1
Sécurité .....	1
Instructions de sécurité importantes .....	1
Fonctionnement .....	3
Avant d'utiliser l'appareil pour la première fois .....	3
Fonctionnement .....	3
Pour tirer pleinement parti de votre appareil .....	4
Conseils (pour obtenir de meilleurs résultats) .....	4
Nettoyage et entretien .....	4
Nettoyage .....	4
Entretien .....	6
Service .....	7
Avant d'appeler le service après-vente .....	7
Garantie .....	8

## Questions?

1.800.944.2904

[www.boschappliances.com](http://www.boschappliances.com)

1901 Main Street  
Irvine, CA 92614

**Nous attendons vos nouvelles !**

---

# À propos de ce guide

## Organisation de ce guide

Ce guide contient plusieurs sections :

- La section *Généralités* décrit les fonctions et les caractéristiques de l'appareil et contient une description sur la façon de le régler et d'actionner le panneau de contrôle.
- La section *Fonctionnement* décrit comment actionner et obtenir le meilleur rendement de chaque composant.
- La section *Nettoyage et entretien* décrit la façon de nettoyer et d'entretenir l'appareil.
- La section *Service* comprend le guide de dépannage et la garantie.

Avant d'utiliser l'appareil, prière de lire attentivement ce guide. Prêter une attention toute particulière aux **Instructions de sécurité importantes** situées au début du guide.

---

## Sécurité



### Instructions de sécurité importantes

### LIRE ET CONSERVER CES INSTRUCTIONS

#### Instructions de sécurité importantes

##### Sécurité-incendie

- Toujours avoir un détecteur de fumées en bon état de fonctionnement près de la cuisine.
- AVERTISSEMENT - POUR RÉDUIRE LES RISQUES DE FEU DE GRAISSE :
  - a) Ne jamais laisser les plaques de cuisson sur réglage élevé sans surveillance. L'ébullition peut provoquer des dégagements de fumée et des débordements pouvant prendre feu. Chauffer l'huile lentement, à feu doux ou moyen.
  - b) Toujours allumer la hotte lorsque vous cuisinez à feu vif ou que vous faites flamber des aliments (les crêpes, les cerises Jubilee ou le steak au poivre par exemple).
  - c) Nettoyer les ventilateurs fréquemment. Ne pas laisser s'accumuler la graisse sur le ventilateur ou le filtre.
  - d) Utiliser des ustensiles de cuisine de la bonne dimension . Toujours utiliser des ustensiles de cuisine de taille appropriée aux dimensions des plaques de cuisson.
- Si les vêtements ou les cheveux d'une personne prennent feu, cette dernière doit se jeter au sol et rouler sur elle-même pour éteindre les flammes.

- Éteindre les flammes d'un feu d'aliments autre qu'un feu de graisse avec du bicarbonate de soude. Ne jamais utiliser d'eau sur un feu de cuisson.
- AVERTISSEMENT - POUR RÉDUIRE LES RISQUES DE LÉSIONS CORPORALES EN CAS DE FEU DE GRAISSE SUR LA TABLE DE CUISSON, RESPECTEZ LES CONSIGNES SUIVANTES:
  - a) ÉTOUFFER LES FLAMMES à l'aide d'un couvercle ajusté, d'une plaque à biscuits ou d'un plateau en métal, puis éteindre le brûleur. FAIRE ATTENTION À NE PAS SE BRÛLER. Si les flammes se n'éteignent pas immédiatement, ÉVACUER LES LIEUX ET APPELER LE SERVICE DES POMPIERS.
  - b) NE JAMAIS SOULEVER UN RÉCIPENT EN FEU - vous risquez de vous brûler.
  - c) NE PAS UTILISER D'EAU, y compris des serviettes mouillées - une explosion de vapeur violente pourrait en résulter.
  - d) Utiliser un extincteur UNIQUEMENT si :
    - 1) vous êtes sûr qu'il s'agit d'un extincteur de classe ABC, et vous en connaissez le maniement ;
    - 2) l'incendie est peu étendu et est limité à la zone où il s'est déclenché ;
    - 3) le service des pompiers a été appelé ;
    - 4) vous pouvez combattre l'incendie le dos tourné vers une sortie.
- Avoir un extincteur approprié disponible à proximité ; il doit être visible et facilement accessible près du four.
- Si possible, ne pas faire fonctionner le système de ventilation dans le cas d'un feu sur l'appareil de cuisson. Toutefois, ne pas passer par dessus le feu pour l'éteindre.

### Sécurité des enfants

- Dès que les enfants sont en âge d'utiliser l'appareil, il est de la responsabilité des parents ou des tuteurs légaux de veiller à ce qu'ils soient informés des pratiques de sécurité par une personne qualifiée.
- Ne permettre à personne de grimper, rester debout, s'appuyer, s'asseoir ou se pencher sur toute partie d'un appareil, notamment une porte, un tiroir-réchaud ou un tiroir de rangement. Ceci peut endommager l'appareil qui risque de basculer et de causer des blessures graves.
- Ne pas permettre aux enfants d'utiliser cet appareil sauf sous la surveillance attentive d'un adulte. Ne pas laisser les enfants et les animaux seuls ou sans surveillance lorsque l'appareil est en service. Ne jamais les laisser jouer aux alentours de l'appareil, que ce dernier soit en service ou non.
- ATTENTION - ne pas ranger des objets qui présentent un intérêt pour les enfants dans l'appareil, les placards placés au-dessus de l'appareil ou sur le dossier. Les enfants peuvent grimper sur l'appareil pour atteindre ces objets et se blesser sérieusement.

### Installation et entretien corrects

- Demander à l'installateur de vous indiquer l'emplacement du disjoncteur ou du fusible. Identifiez-le pour pouvoir le trouver facilement.
- Cet appareil doit être correctement installé et mis à terre par un technicien qualifié. Il ne doit être branché que sur une prise correctement reliée à la terre. Pour plus de détails, se reporter aux instructions d'installation.
- Cet appareil est destiné à un usage domestique familial normal. Il n'est pas approuvé pour l'usage en extérieur. Voir la Garantie. Pour toute question, communiquer avec le fabricant.
- Ne pas entreposer ni utiliser de produits chimiques corrosifs, vapeurs, matières inflammables ou produits non alimentaires à l'intérieur ou à proximité de cet appareil. Il a été spécialement conçu pour être utilisé pendant le chauffage et la cuisson des aliments. L'emploi de produits chimiques corrosifs pour chauffer ou nettoyer peut endommager l'appareil et occasionner des blessures.
- Ne pas utiliser cet appareil s'il ne fonctionne pas correctement, ou s'il est endommagé. Communiquer avec un service de réparation autorisé.

- Ne pas réparer ou remplacer une pièce quelconque de l'appareil à moins de recommandations spécifiques dans ce guide. Toute réparation doit être confiée à un centre de réparation agréé par l'usine.
- ATTENTION : la graisse accumulée sur les filtres peut se refondre et être expulsée dans le ventilateur.

### Avertissement issue de la proposition 65 :

Ce produit pourrait contenir un produit chimique reconnu par l'État de la Californie comme cancérigène ou ayant des effets nocifs sur la reproduction. Par conséquent, l'emballage de votre produit pourrait porter l'étiquette suivante, comme requis par la Californie :

AVERTISSEMENT ISSU DE LA PROPOSITION 65 DE L'ÉTAT DE LA CALIFORNIE :

 **AVERTISSEMENT**

Cancer et dommages à la reproduction -  
[www.P65Warnings.ca.gov](http://www.P65Warnings.ca.gov)

## Fonctionnement

### Avant d'utiliser l'appareil pour la première fois

**Une remarque au sujet des courants d'air :** Des courants d'air au-dessus de la cuisinière ou de la surface de cuisson nuisent à l'efficacité de la hotte. Ceci devra être évité lorsque possible. La meilleure ventilation dans la cuisine s'effectue lorsque les courants d'air sont uniquement ceux créés par la soufflerie.

## Fonctionnement

### Commandes (Panneau)

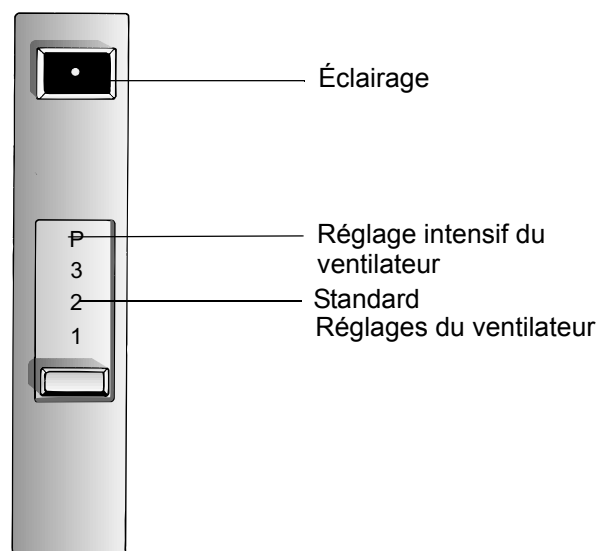


Figure 1: Commandes

---

# Pour tirer pleinement parti de votre appareil

## Conseils (pour obtenir de meilleurs résultats)

La soufflerie doit être en circuit pendant environ cinq minutes avant la cuisson pour établir la ventilation sous la hotte. Ainsi, la chaleur, la fumée, la vapeur, la graisse et les odeurs de cuisson s'évacuent au lieu de rester dans les pièces. Utiliser une vitesse plus basse pour une utilisation normale et plus élevée pour les odeurs fortes et la fumée.

---

## Nettoyage et entretien

### Nettoyage

AVERTISSEMENT - s'assurer que l'appareil tout entier (y compris, le cas échéant, les filtres à graisses et les ampoules) a entièrement refroidi et que la graisse s'est solidifiée avant de procéder au nettoyage de l'appareil.

#### Nettoyage quotidien

Essuyer avec de l'eau savonneuse, rincer et laisser sécher.

#### Consignes de nettoyage

##### Éviter d'employer les produits d'entretien suivants

NE PAS utiliser les produits suivants !

- Les tampons abrasifs tels que ceux fabriqués à partir de paille de fer du type SOS®, Brillo® ou en toile plastique.
- Les produits d'entretien abrasifs tels que Comet®, Ajax® et Zud®.
- Les produits inflammables comme l'essence ou le kérosène.

##### Filtres



ATTENTION : pour éviter les risques d'incendie, conserver les filtres propres. La graisse accumulée sur les filtres peut se refondre et se déplacer dans le circuit de ventilation de la hotte.



### Filtre en aluminium

Les filtres en aluminium amovibles doivent être nettoyés lorsqu'ils sont recouverts de graisse. Si l'on utilise un wok ou une autre méthode de cuisson à forte utilisation de graisse, ils devront être nettoyés plus fréquemment. Les filtres peuvent être nettoyés avec de l'eau et du savon ou dans un lave-vaisselle. Si vous utilisez un lave-vaisselle, une légère décoloration est possible.

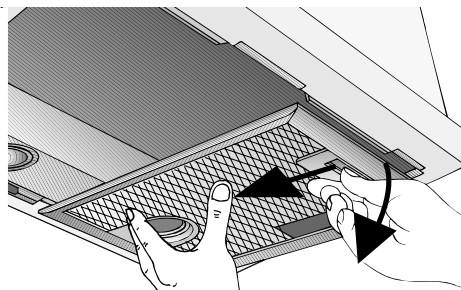


Figure 2: Retrait des filtres en aluminium- Étape 1

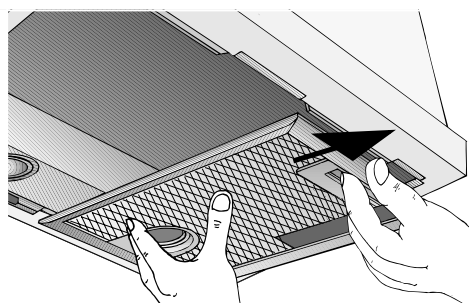


Figure 3: Retrait des filtres en aluminium- Étape 2

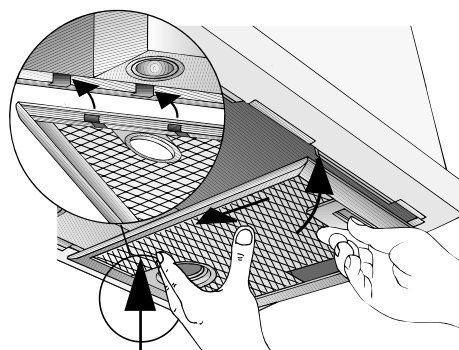


Figure 4: Retrait des filtres en aluminium- Étape 3

Tableau 1: Tableau de nettoyage

Pièce ou surface	Technique suggérée	Remarques
Plastique (Boutons)	Essuyer en utilisant de l'eau savonneuse ou un produit d'entretien tel que Fantastic® ou Formula 409®, bien rincer et sécher avec un chiffon doux et propre pour éliminer les traces d'eau.	
Acier inoxydable	Essuyer et sécher l'acier inoxydable dans la direction des grains. Éviter d'exercer une pression excessive, afin de ne pas rayer la surface. Pour retirer les empreintes de doigts et faire briller, utiliser des produits d'entretien tels que Stainless Steel Magic®.	Ne pas laisser l'acier inoxydable en contact avec un quelconque produit d'entretien pendant une durée de temps prolongée.
Verre	Utiliser de l'eau savonneuse tiède et/ou un produit d'entretien pour fenêtres.	

## Entretien

### Éclairage



**ATTENTION** : couper le courant au niveau du disjoncteur avant de changer une ampoule endommagée. Ne pas toucher les ampoules immédiatement après les avoir utilisées. Les ampoules resteront chaudes pendant plusieurs minutes.

- **AVERTISSEMENT** : avant de remplacer une ou plusieurs ampoules, s'assurer que l'appareil et les ampoules ont refroidi et que le courant qui alimente l'appareil est coupé. Le non respect de cette consigne peut entraîner un choc électrique ou des brûlures.
  - Les lentilles de protection (s'il y en a) doivent être mises en place lorsque l'appareil est en fonctionnement.
  - Les lentilles de protection (s'il y en a) servent à protéger l'ampoule contre toute cassure.
  - Les lentilles de protection (s'il y en a) sont en verre. Elles sont à manipuler avec précautions afin de ne pas les casser. Les brisures de verre risquent de causer des lésions.

### Remplacement de l'ampoule

Employer une ampoule à halogène de 12 V (maximum 20 watts) avec une base G4 à deux broches.

Remarque : **NE PAS** toucher une ampoule à halogène avec les doigts. Saisir l'ampoule avec une feuille de papier essuie-tout propre ou un mouchoir de papier. Les huiles de la peau peuvent réduire la longévité de l'ampoule.

Utiliser un petit tournevis à lame plate (ou vos doigts) pour retirer les lentilles de protection.

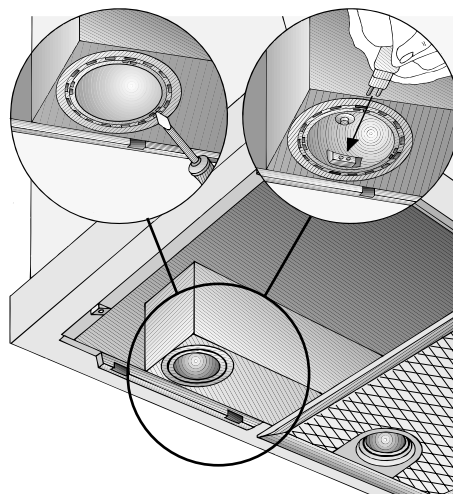


Figure 5: Remplacement de l'ampoule

Tirer tout droit pour sortir l'ampoule endommagée de la douille. Enfoncez les broches tout droit dans la douille de l'ampoule jusqu'à ce qu'elle soit bien en place. Enclencher la lentille en place.

Ne pas utiliser la surface de cuisson si la hotte est démontée. Une ventilation adéquate doit être assurée.

## Service

### Avant d'appeler le service après-vente

Avant d'appeler le service après-vente, essayer les solutions proposées dans le tableau ci-dessous pour éviter de payer des frais de déplacement.

#### Tableau de dépannage

Tableau 2: Dépannage

Problème	Solution proposée
Bruit pendant le fonctionnement.	Le bruit est normal et provient des vibrations et du mouvement de l'air. Un bruit excessif indique : <ol style="list-style-type: none"><li>1. conduit trop petit / sous-dimensionné</li><li>2. conduit trop grand / sur-dimensionné</li><li>3. conduit lâche</li><li>4. transition trop petite ou lâche</li><li>5. vis à bois mal serrées</li><li>6. vis dans garniture lâches, etc.</li></ol> Consulter les instructions d'installation pour vérifier si le conduit est de la taille qui convient. Serrer les vis.

Tableau 2: Dépannage

Problème	Solution proposée
Bruit même si l'appareil ne fonctionne pas	Le volet de refoulement à l'extérieur du conduit bouge à cause du vent. Ceci est normal.
Moteur du ventilateur ne fonctionne pas	1. Alimentation insuffisante à la hotte 2. Les fils ne sont pas bien branchés Pour des informations supplémentaires, consulter les instructions d'installation.
Éclairage bruyant	Un léger bruit est normal.
La hotte fait sauter le disjoncteur	1. Les fils ne sont pas bien branchés 2. Circuit inadéquat. Pour des informations supplémentaires, consulter les instructions d'installation.

## Comment obtenir le service après-vente ou des pièces

### Plaque signalétique

Pour joindre un représentant du service après-vente, voir les coordonnées indiquées au début de ce guide. Veuillez avoir l'information imprimée sur la plaque signalétique de votre produit à portée de main lorsque vous effectuez un appel.

La plaque signalétique indique les numéros de modèle et de série. Se reporter à la plaque signalétique de l'appareil lors de chaque appel au service après-vente. Celle-ci se trouve sur le cadre de l'appareil, près du tiroir. Ouvrir le tiroir pour la voir.

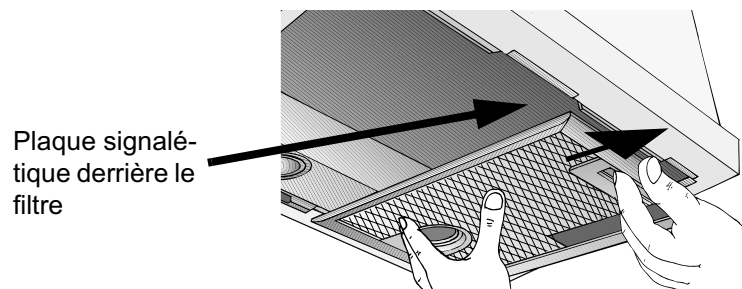


Figure 6: Emplacement de la plaque signalétique

# Garantie

## Généralités

Les garanties fournies par BSH Home Appliances Corp. dans cet énoncé de garantie limitée s'appliquent seulement à la hotte de ventilation (« hotte ») et soufflerie interne vendue à l'utilisateur, premier acheteur, en autant que la hotte et la soufflerie aient été achetées (1) pour utilisation personnelle et non pour la revente et (2) aux États-Unis ou au Canada et sont situées dans le pays d'achat. Tel qu'il est utilisé dans cet énoncé de garantie limitée, le terme « date d'installation » réfère à la date où la hotte et la soufflerie sont installées ou dix (10) jours ouvrables (la plus tôt des deux dates) après la date où la hotte et la soufflerie ont été vendues au premier acheteur utilisateur. Les garanties énoncées s'appliquent seulement au premier acheteur utilisateur et ne sont pas transférables.

## Garantie limitée standard

Garantie limitée standard - BSH garantit que la hotte et la soufflerie ne présentent aucun défaut de matériaux et de fabrication pendant une durée de douze (12) mois à compter de la date d'installation. Pendant la période de garantie, BSH ou ses centres de service autorisés répareront ou remplaceront, à leur discrétion, toute hotte ou soufflerie présentant un défaut dans des conditions normales d'utilisation, sans frais. Toute pièce ou tout composant retirés deviennent la propriété de BSH, à sa discrétion. Toute pièce remplacée et/ou réparés doit assumer l'identité de la pièce d'origine à des fins de cette garantie et cette garantie ne sera pas prolongée en regard de desdites pièces.

## Autres conditions des garanties limitées

Autres conditions de garanties limitées – Les garanties fournies dans l'énoncé de garantie limitée excluent tout défaut ou dommage résultant de (1) utilisation de la hotte et soufflerie autre qu'un usage normal et habituelle (utilisation commerciale de la hotte et soufflerie n'est pas considérée comme normale et habituelle), (2) mauvaise utilisation, abus, accidents ou négligence, (3) fonctionnement, entretien, installation inadéquat ou par un centre de service non autorisé, (4) réglage ou modification de toute sorte, (5) non conformité aux codes de construction et/ou électrique de l'état, province, ville ou municipalité et (6) forces externes comme inondations, incendies, actes de Dieu ou toute autre circonstance hors du contrôle de BSH. Également exclus de cette garantie sont les égratignures et les dommages aux surfaces externes et pièces exposées de la hotte et soufflerie interne sur lesquelles les numéros de série ont été modifiés, effacés, enlevés. Selon ce qui est permis par la loi, cette garantie donne des solutions exclusives en regard du produit couvert, que la réclamation survienne par contrat ou tort (incluant responsabilité et négligence strictes) ou autres. BSH n'est pas responsable des dommages accessoires ou indirects, pertes ou dépenses. CETTE GARANTIE EST EN LIEU DE TOUTE AUTRE GARANTIE EXPRESSE. TOUTE GARANTIE IMPLICITE PAR LOI, POUR COMMERCIALISATION OU À DES FINS PARTICULIÈRES OU AUTRES, SERA EN VIGUEUR SEULEMENT POUR LA PÉRIODE DE LA GARANTIE EXPRESSE. Aucune tentative de modification, changement ou amendement de cette garantie ne sera en vigueur à moins d'une autorisation écrite par un responsable de BSH.

## Comment obtenir un service sous garantie

Comment obtenir un service sous garantie – Communiquer avec un centre de service autorisé BSH ou téléphoner au centre du service à la clientèle BSH, 1901 Main Street, Irvine, CA 92614, 1-800-944-2904. Avoir les numéros de modèle et de série ; ils sont imprimés sur le panneau gauche intérieur de la hotte et au bas de la soufflerie interne.

## Avis aux propriétaires en Californie

AVIS AUX PROPRIÉTAIRES EN CALIFORNIE - Si la hotte ou la soufflerie interne requiert un service sous garantie et qu'il n'y a pas de centre de service autorisé BSH dans une région raisonnablement proche, aviser le marchand BSH où l'appareil a été acheté. Si le marchand BSH ne répare ou ne remplace pas les pièces défectueuses ou ne rembourse pas partiellement le prix d'achat (si applicable), il est possible de faire réparer l'appareil à tout centre de service pour électroménagers et les frais raisonnables seront remboursés en autant que les coûts soient motivés par écrit et que le travail effectué soit couvert par cette garantie. BSH ne remboursera pas les frais de réparations aux termes des présentes qui excèdent la valeur de dépréciation de l'appareil.

---

# Índice

Acerca de este manual .....	1
Cómo se organiza este manual .....	1
Seguridad .....	1
Instrucciones de seguridad importantes .....	1
Operación .....	3
Antes de usar el electrodoméstico por primera vez .....	3
Operación .....	3
Cómo aprovechar al máximo su electrodoméstico .....	3
Consejos (Para obtener los mejores resultados) .....	3
Limpieza y mantenimiento .....	4
Limpieza .....	4
Mantenimiento .....	5
Servicio técnico .....	6
Antes de llamar al servicio técnico .....	6
Garantía .....	8

## ¿Preguntas?

1-800-944-2904

[www.boschappliances.com](http://www.boschappliances.com)

1901 Main Street  
Irvine, CA 92614

¡Estamos a sus ordenes!

---

# Acerca de este manual

## Cómo se organiza este manual

Este manual contiene diversas secciones:

- La sección *Descripción general* describe las características y las funciones, incluida una explicación para configurar y operar el panel de control.
- La sección *Operación* describe cómo operar cada componente y aprovechar al máximo su rendimiento.
- La sección *Limpieza y mantenimiento* describe cómo limpiar y mantener su electrodoméstico.
- La sección *Servicio técnico* incluye consejos para resolver los problemas y la garantía.

Antes de usar el electrodoméstico, asegúrese de leer este manual. Preste especial atención a las **Instrucciones de seguridad importantes** que se encuentran al comienzo del manual.

---

# Seguridad



## Instrucciones de seguridad importantes

LEA Y CONSERVE ESTAS INSTRUCCIONES

### Instrucciones de seguridad importantes

#### Seguridad para evitar incendios

- Siempre tenga un detector de humo en funcionamiento cerca de la cocina.
- **ADVERTENCIA - PARA REDUCIR EL RIESGO DE INCENDIO OCASIONADO POR GRASA:**
  - a) Nunca deje las unidades de la superficie sin vigilancia en valores altos. Los derrames por hervor causan humo y salpicaduras grasosas que pueden prenderse fuego. Caliente los aceites despacio a temperaturas bajas o medianas.
  - b) Siempre encienda la campana al cocinar a una temperatura alta o al flambear alimentos (p. ej., crepas Suzette, cerezas Jubilee, carne flambada con granos de pimienta).
  - c) Limpie los ventiladores extractores con frecuencia. No se debe permitir la acumulación de grasa en el ventilador ni en el filtro.
  - d) Use el tamaño adecuado de olla. Siempre use utensilios de cocina apropiados para el tamaño del elemento de la superficie.
- En el caso de que su ropa o cabello se prendan fuego, arrójese al piso y ruede de inmediato para extinguir las llamas.
- Sofoque las llamas provocadas por alimentos que se prenden fuego, que no sean incendios ocasionados por grasa, con bicarbonato de sodio. Nunca use agua en incendios ocasionados al cocinar.

- **ADVERTENCIA: PARA REDUCIR EL RIESGO DE LESIONES A PERSONAS EN CASO DE INCENDIO OCASIONADO POR GRASA EN LA PARRILLA, SIGA ESTAS INDICACIONES:**
  - a) **SOFOQUE LAS LLAMAS** con una tapa que ajuste correctamente, una placa para galletas u otra bandeja de metal, luego, apague la hornilla. **ASEGÚRESE DE PREVENIR LAS QUEMADURAS.** Si las llamas no se apagan de inmediato, **EVACUE EL ÁREA Y LLAME AL DEPARTAMENTO DE BOMBEROS.**
  - b) **NUNCA LEVANTE UNA OLLA EN LLAMAS**, se puede quemar.
  - c) **NO USE AGUA**, ni repasadores ni toallas húmedos; puede ocasionar una violenta explosión por vapor.
  - d) Use un extinguidor **SÓLO** si:
    - 1) Sabe que tiene un extinguidor Clase ABC y ya sabe cómo usarlo.
    - 2) El incendio es pequeño y se limita al área donde se originó.
    - 3) Alguien llamó al departamento de bomberos.
    - 4) Si puede combatir el incendio con la espalda en dirección a una salida.
- Tenga un extinguidor de incendio disponible, cerca, en un área fácilmente visible y accesible, cerca del horno.
- Si es posible, no ponga el sistema de ventilación en funcionamiento si hay un incendio en la placa. Pero no atravesie el fuego con la mano para apagarla.

### Seguridad de los niños

- Cuando los niños tienen la edad adecuada para utilizar el electrodoméstico, es responsabilidad legal de los padres o tutores legales asegurarse de que reciban las instrucciones sobre prácticas seguras por parte de personas calificadas.
- No permita que nadie se suba, pare, incline, siente o cuelgue de cualquier parte de un electrodoméstico, especialmente una puerta, cajón calentador o cajón para almacenamiento. Esto puede dañar el electrodoméstico, y la unidad puede caerse y, posiblemente, causar lesiones graves.
- No permita que los niños utilicen este electrodoméstico, a menos que sean supervisados de cerca por un adulto. Los niños y las mascotas no deben quedar solos o sin vigilancia en el área donde se utilice el electrodoméstico. Nunca se les debe permitir jugar cerca del electrodoméstico, independientemente de que esté en funcionamiento o no.
- **PRECAUCIÓN:** los objetos de interés para niños no deben almacenarse en un electrodoméstico, en gabinetes sobre un electrodoméstico ni en la placa antisalpicaduras. Si los niños se suben a un electrodoméstico para alcanzar estos objetos podrían sufrir lesiones graves.

### Instalación y mantenimiento adecuados


- Pídale al instalador que le muestre la ubicación del disyuntor o el fusible. Márquelo para recordarlo más fácilmente.
- Este electrodoméstico debe ser correctamente instalado y conectado a tierra por un técnico calificado. Conéctelo sólo a una toma de corriente correctamente conectada a tierra. Para obtener más información, consulte las Instrucciones de instalación.
- Este electrodoméstico ha sido diseñado para el uso doméstico normal de una familia únicamente. No está aprobado para uso en exteriores. Consulte la garantía. Si tiene alguna pregunta, comuníquese con el fabricante.
- No almacene ni utilice productos químicos corrosivos, vapores, materiales inflamables ni productos no alimenticios dentro de este electrodoméstico ni cerca de él. Está específicamente diseñado para usarlo al calentar o cocinar alimentos. El uso de productos químicos corrosivos al calentar o limpiar dañará el electrodoméstico y podría causar lesiones.
- No utilice este electrodoméstico si no funciona correctamente o si ha sido dañado. Comuníquese con un centro de servicio técnico autorizado.
- No repare ni cambie ninguna parte del electrodoméstico, a menos que se recomiende específicamente en este manual. Remita todas las reparaciones a un centro de servicio técnico autorizado por la fábrica.
- **PRECAUCIÓN:** La grasa acumulada en los filtros puede volver a derretirse y entrar en las aberturas de ventilación.



## Advertencia en virtud de la Proposición 65:

Este producto puede contener un químico que el Estado de California reconoce como potencialmente cancerígeno o causante de daños reproductivos. Por tanto, su producto debe llevar en su embalaje la siguiente etiqueta de conformidad con la legislación de California:

ADVERTENCIA EN VIRTUD DE LA PROPOSICIÓN 65 DEL ESTADO DE CALIFORNIA:

 **ADVERTENCIA**

Cáncer y daño reproductivo - [www.P65Warnings.ca.gov](http://www.P65Warnings.ca.gov)

Operación

# Operación

## Antes de usar el electrodoméstico por primera vez

**Nota sobre corrientes de aire:** Las corrientes de aire a través de la estufa o placa reducirán la efectividad de la campana. Si es posible, estas corrientes de aire deben prevenirse. La mejor ventilación en la cocina se logra cuando las únicas corrientes de aire que ingresan son las generadas por el propio soplador.

## Operación

### Control (Panel)

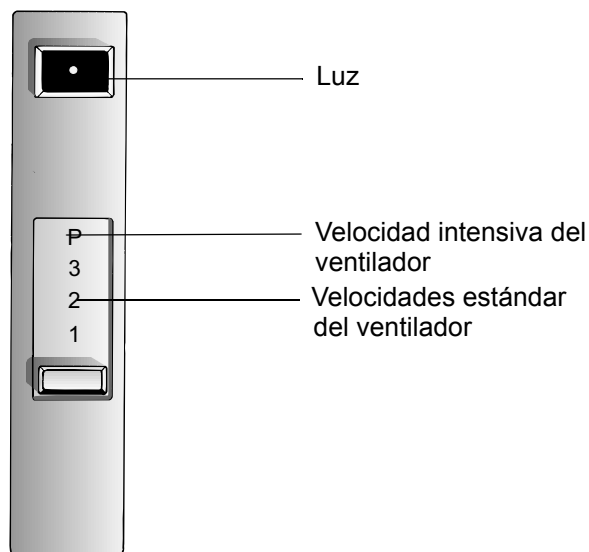


Figura 1: Control

# Cómo aprovechar al máximo su electrodoméstico

## Consejos (Para obtener los mejores resultados)

Debe encender el soplador durante cinco minutos antes de cocinar para establecer las corrientes de aire hacia arriba a través de la campana. De esta manera, cuando se generen calor, humo, humedad, grasa y olores de cocina, estos serán conducidos hacia afuera en lugar de trasladarse a las demás habitaciones. Use las velocidades bajas para uso normal y las velocidades altas para olores y emanaciones fuertes.

# Limpieza y mantenimiento

## Limpieza

**ADVERTENCIA:** Asegúrese de que todo el electrodoméstico (incluidos los filtros de grasa y los focos, si corresponde) se haya enfriado y la grasa se haya solidificado antes de intentar limpiar cualquier parte del electrodoméstico.

### Limpieza diaria

Limpie con agua jabonosa, enjuague y seque.

### Pautas de limpieza

#### Evite usar estos limpiadores

¡NO use los siguientes!

- Esponjas abrasivas como las que están hechas de lana de acero SOS®, Brillo® o de malla de plástico.
- Limpiadores abrasivos como Comet®, Ajax® y Zud®.
- Productos inflamables como gasolina o queroseno.

#### Filtros



**PRECAUCIÓN:** Mantenga limpios los filtros para evitar los riesgos de incendio. La grasa acumulada en los filtros puede volver a derretirse y entrar en las aberturas de ventilación.

#### Filtro de aluminio

Se deben limpiar los filtros de aluminio desmontables cuando tienen grasa acumulada. Cuando se utilizan sobre un wok u otra aplicación con mucha grasa, se deben limpiar con mayor frecuencia. Se pueden limpiar con agua y jabón o en un lavavajillas. Cuando los limpie en el lavavajillas, puede producirse una ligera decoloración.

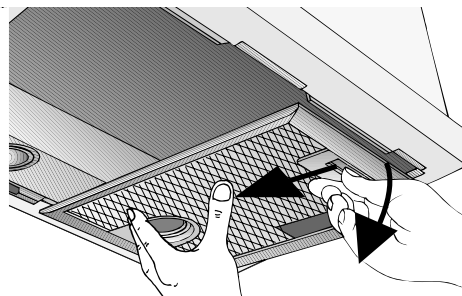


Figura 2: Extracción del filtro de aluminio - Paso 1

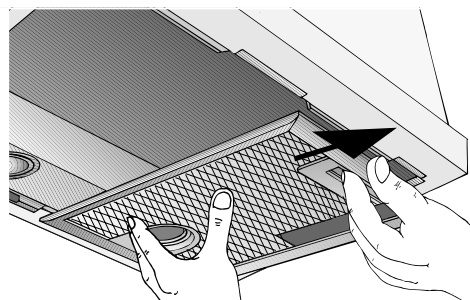


Figura 3: Extracción del filtro de aluminio - Paso 2

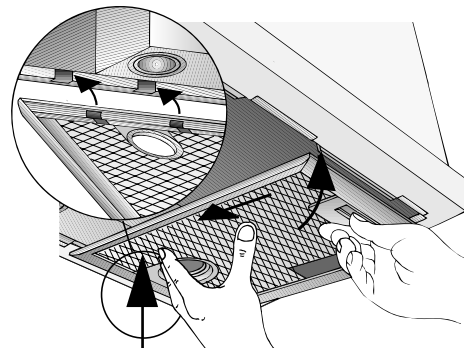


Figura 4: Extracción del filtro de aluminio - Paso 3

## Cuadro de limpieza

Tabla 1: Cuadro de limpieza

Pieza o superficie	Técnica sugerida	Notas
Plástico (Botones)	Limpie con agua jabonosa o limpiadores de uso doméstico como Fantastic® o Formula 409®, enjuague bien y seque con un paño suave limpio para que no queden marcas de agua.	
Acero inoxidable	Limpie y seque el acero inoxidable en la misma dirección del grano. No haga demasiada presión, ya que podría estropear la superficie. Para sacar las huellas digitales y darle más brillo, use limpiadores como Stainless Steel Magic®.	No deje ningún compuesto de limpieza en contacto con el acero inoxidable durante períodos largos.
Vidrio	Use agua jabonosa tibia y/o limpiador para ventanas suave.	

## Mantenimiento

### Luces



**PRECAUCIÓN:** Apague el suministro eléctrico en el disyuntor antes de retirar un foco dañado. No toque los focos inmediatamente después de que hayan estado en uso. Los focos permanecen calientes durante varios minutos.

- **ADVERTENCIA:** Asegúrese de que el electrodoméstico y las luces se hayan enfriado y de que el suministro eléctrico esté apagado antes de cambiar el (los) foco(s). No hacerlo puede ocasionar una descarga eléctrica o quemaduras.
  - La lente (si viene incorporada) debe estar en su lugar al usar el electrodoméstico.
  - La lente (si viene incorporada) sirve para proteger el foco contra roturas.

- La lente (si viene incorporada) es de vidrio. Manipúlela con cuidado para que no se rompa. El vidrio roto puede causar una lesión.

## Cambio de focos

Use un foco halógeno de 12 V (20 vatios como máximo) con una base G4 de dos patas.

Nota: NO toque un foco halógeno nuevo con los dedos. Tome el foco con una toalla de papel limpia o un pañuelo de limpieza facial. Los aceites de la piel pueden reducir la vida útil del foco.

Use un destornillador de cabeza plana (o la uña) para retirar la lente.

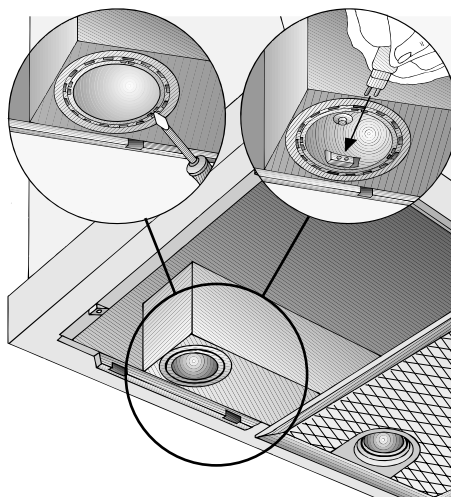


Figura 5: Cambio de focos

Jale el foco dañado del portalámparas. Presione las patas de la base del foco en el portalámparas hasta que el foco quede totalmente asentado. Vuelva a colocar la lente a presión.

No use la placa mientras la campana está desarmada, para tener una ventilación adecuada.

---

# Servicio técnico

## Antes de llamar al servicio técnico

Use las sugerencias del cuadro que aparece a continuación antes de llamar al servicio técnico para evitar cargos por dichos servicios.

## Cuadro de resolución de problemas

Tabla 2: Resolución de problemas

Problema	Solución sugerida
Ruidos durante la operación	Un poco de ruido es normal debido a la vibración y al movimiento de aire. Un ruido excesivo indica una de las siguientes condiciones: <ol style="list-style-type: none"> <li>1. El conducto es muy pequeño</li> <li>2. El conducto es muy grande</li> <li>3. El conducto está suelto</li> <li>4. La transición es muy pequeña o está floja</li> <li>5. Los tornillos para madera no están bien ajustados</li> <li>6. Los tornillos en las partes de la moldura, etc. están flojos</li> </ol> Consulte las Instrucciones de instalación para verificar si el conducto es del tamaño adecuado. Ajuste los tornillos.
Hay ruido cuando la unidad está apagada	La aleta de contraflujo en el exterior de la tapa de pared del conducto se mueve con el viento. Esto es normal.
El motor del ventilador no funciona	<ol style="list-style-type: none"> <li>1. La alimentación eléctrica es insuficiente</li> <li>2. Los cables eléctricos no están correctamente conectados</li> </ol> Consulte las Instrucciones de instalación para obtener más información
Zumbido de las luces	Un zumbido ligero es normal
La campana activa el disyuntor	<ol style="list-style-type: none"> <li>1. Los cables eléctricos no están correctamente conectados</li> <li>2. El circuito no es suficiente.</li> </ol> Consulte las Instrucciones de instalación para obtener más información

## Cómo obtener servicio técnico o piezas

### Placa de datos del producto

Para consultar a un representante de servicio técnico, remítase a la información de contacto que aparece en el frente del manual. Cuando llame, tenga a la mano la información impresa en la placa de datos de su producto.

La placa de datos muestra el modelo y el número de serie. Al solicitar servicio técnico, consulte la placa de datos del electrodoméstico. Está ubicada en el marco cerca del cajón. Abra el cajón para verla.

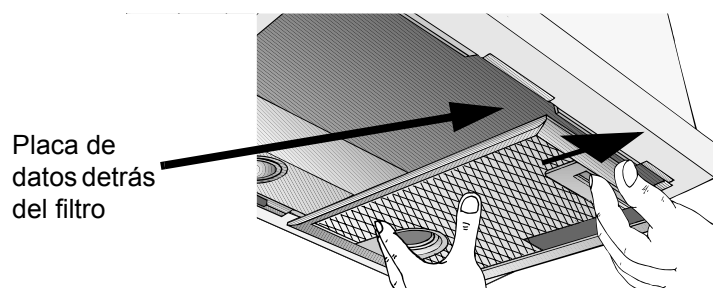


Figura 6: Ubicación de la placa de datos

# Garantía

## Información general

Las garantías ofrecidas por BSH Home Appliances Corp. en esta Declaratoria de Garantía Limitada aplican sólo a la Campana de Ventilación ("campana") y el Ventilador Interno de BSH que usted compró, el primer usuario comprador, siempre y cuando la Parrilla fue adquirida (1) para su uso y no para la reventa y (2) en los Estados Unidos o Canadá y que se encuentra en el país de la compra. El término "Fecha de Instalación" que se usa en esta Declaratoria de Garantía Limitada, se refiere a la fecha más temprana cuando se instala la campana y el ventilador interno o diez (10) días laborales después de la fecha de compra de la campana y del ventilador interno por el primer usuario comprador. Las garantías declaradas aquí aplican sólo al primer usuario comprador y no se pueden transferir.

## Garantía limitada estándar

BSH garantiza que su campana y el ventilador interno están libres de defectos en materiales y mano de obra por un período de doce (12) meses a partir de la Fecha de Instalación. Durante el período de garantía, BSH o su centro de servicio autorizado va a reparar o reemplazar, a su discreción, cualquier campana o ventilador interno que resulte defectuoso bajo condiciones de uso normal sin costo alguno. Todas las partes y componentes removidos se volverán propiedad de BSH, a discreción de BSH. Todas las partes reemplazadas y/o reparadas asumirán la identidad de la parte original para los propósitos de esta garantía y esta garantía no se puede extender con respecto a tales partes.

## Otras condiciones de las garantías limitadas

Las garantías otorgadas en esta Declaratoria de Garantía Limitada excluyen defectos o daños que resultan de (1) el uso de la campana o del ventilador interno en un modo diferente de su uso normal y usual (el uso comercial de la campana o del ventilador interno no se considera normal o usual), (2) mal uso, abuso, accidentes o negligencia, (3) operación, mantenimiento, instalación no apropiada o servicio no autorizado, (4) ajustes o alteraciones o modificaciones de cualquier tipo, (5) el hecho de no cumplir con los códigos eléctricos y/o de construcción estatales, local y municipales que pueden aplicar, (6) derrames de alimentos o líquidos, y (7) fuerzas externas como inundaciones, fuegos, casos fortuitos u otras circunstancias más allá del control de BSH. También se excluyen raspaduras y daños en superficies externas y partes expuestas de la campana y del ventilador interno donde se alteró o se quitó el número de serie. Al grado permitido por la ley, esta garantía establece sus remedios exclusivos con respecto a los productos cubiertos por ésta, sin importar si la reclamación surge en contrato o agravio (incluyendo la responsabilidad estricta, y negligencia), etc. BSH no será responsable de daños, pérdidas o gastos consecuenciales o incidentales. ESTA GARANTÍA SUSTITUYE TODAS LAS OTRAS GARANTÍAS EXPRESAS. CUALQUIER GARANTÍA IMPLICADA POR LA LEY, YA SEA DE COMERCIALIZACIÓN O APTITUD PARA ALGÚN PROPÓSITO PARTICULAR, SERÁ EFECTIVA SOLAMENTE POR EL PERÍODO EFECTIVO EXPRESADO EN ESTA GARANTÍA. Ningún intento de alterar, modificar o enmendar esta garantía será efectivo a menos que haya sido autorizado por escrito por un ejecutivo de BSH.

## Cómo obtener servicio de garantía

Cómo obtener servicio de garantía: Para obtener el servicio de garantía para la campana y el ventilador interno, usted debe contactar al centro de servicio autorizado por BSH más cercano o al Centro de Soporte al Cliente de BSH, 1901 Main Street, Irvine, CA 92614, 1-800-944-2904. Por favor tenga a la mano su número de modelo y número de serie cuando llame. Están impresos en el panel interior izquierdo de la campana y en el fondo del ventilador interno.

## Aviso para propietarios en California

Si su campana o el ventilador interno requiere de servicio de garantía y no existe un centro de servicio autorizado de BSH cerca de usted, puede notificar al revendedor de BSH con el cual usted compró la campana o el ventilador interno. Si el revendedor de BSH no repara o reemplaza las partes defectuosas, o no le devuelve parcialmente el precio de su compra (donde aplica), usted puede llevar la campana o el ventilador interno a cualquier taller grande o centro de reparación de aparatos electrodomésticos para su reparación y todos los gastos razonables serán reembolsados, siempre y cuando los costos están justificados por escrito y el trabajo realizado está cubierto por esta garantía. BSH no reembolsará ningún gasto de reparación bajo la presente que exceda el valor depreciado de la campana o del ventilador interno.



Valid within Great Britain:

Imported to Great Britain by

BSH Home Appliances Ltd.  
Grand Union House  
Old Wolverton Road  
Wolverton, Milton Keynes  
MK12 5PT  
United Kingdom



**BOSCH**  
Invented for life

1901 Main Street, Suite 600 • Irvine, CA 92614 • 800-944-2904  
[www.bosch-home.com](http://www.bosch-home.com) • © 2018 BSH Home Appliances



**9000221980**

981217