

HTW265ASWWW

Hotpoint® 4.0 cu. ft. Capacity Washer with Stainless Steel Basket, Cold Plus and Water Level Control

WASHER DIMENSIONS (IN INCHES)

CIRCUIT REQUIREMENTS: An individual, properly-grounded branch circuit, with a three-prong grounding-type receptacle, protected by a 15- or 20-amp circuit breaker or a time-delay fuse, is required.

ELECTRICAL RATING: 115V, 60Hz, 10 Amps

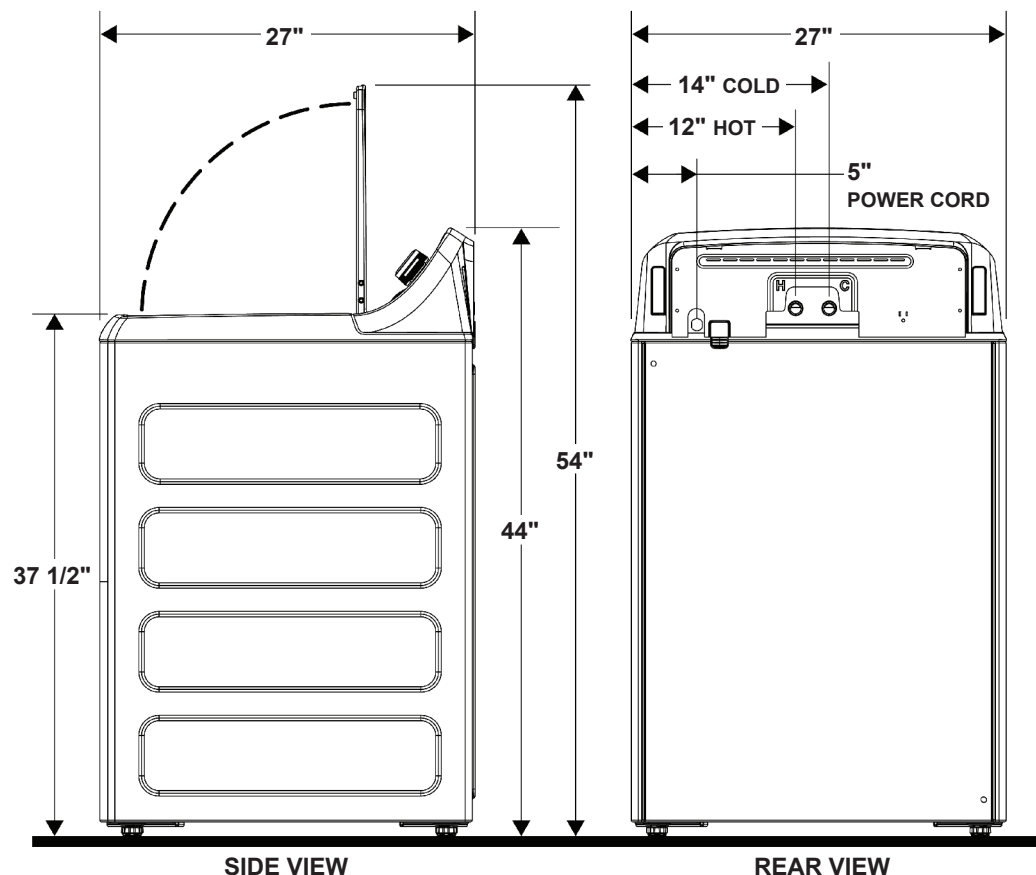
INSTALLATION INFORMATION: Before installing, consult installation instructions packed with product for current dimensional data.

WASHER NOTE: Washer wall outlet must be located within 36" of service cord entry. Wall outlet must not be located behind dryer.

ACCESSORIES*

GE Part Number	Description
WH41X10207	Washer Inlet Hoses - 4' Rubber; 2-pack
PM14X10002	Washer Inlet Hoses - 4' Rubber; 2-pack, retail pkg.
WX41X60	Washer Inlet Hose - 6' Rubber; Single
WX14X10005	Washer Inlet Hoses - 4' Stainless Polymer Coated; 2-pack
PM14X10005	Washer Inlet Hoses - 4' Stainless Polymer Coated; 2-pk., retail pkg.
WX14X10011	Washer Hoses - 6' Stainless Steel 90° Elbows; 2-pack
PM7X2	Floor Pan - Low-Profile Pan with Drain (White)
WX17X10001CA	Anti-Vibration Pads (4 Pads)
WX10X312	Ceramabryte Washer Cleaner - 16 oz.

*Accessories sold separately.



For answers to your Monogram, Café™, GE Profile™ or GE Appliances product questions, visit our website at geappliances.com or call GE Answer Center® Service, 800.626.2000.



Listed by Underwriters Laboratories

Specification Revised 2/24

HTW265ASWWW

Hotpoint® 4.0 cu. ft. Capacity Washer with Stainless Steel Basket, Cold Plus and Water Level Control

FEATURES AND BENEFITS

Large 4.0 Cu. Ft. Capacity – Save time on laundry day with this large capacity washer that easily handles 15 lbs.* of laundry and bulky items, while delivering great wash results.

Cold Plus – Wash without compromise in cold water. When selected, Cold Plus adjusts wash action to achieve a great clean on any wash cycle while saving up to 90% on energy costs.**

Water level control – Manually add up to 26 gallons of water to your washer, or let the washer optimize with auto-fill for great cleaning results no matter the cycle selected.

Heavy-Duty Agitator – Powerful Heavy-Duty Agitator provides better turnover for bulky items and thorough cleaning of large loads while still offering a gentle touch for delicate items.

Stainless Steel Drum-Stainless steel basket ensures both your appliance and your clothes are protected from rust, chips, peeling or snags.

Late Lid Lock Safety – Pre-treat stains, infuse detergents or add in forgotten clothes without being locked out with the convenient Late Lid Lock Safety. When the water level is manually selected, the lid only locks during the final spin for safety.

Deep Rinse – Ensure that all your garments are free from detergent, fabric softener, and stubborn soils in this deep rinse washing machine.

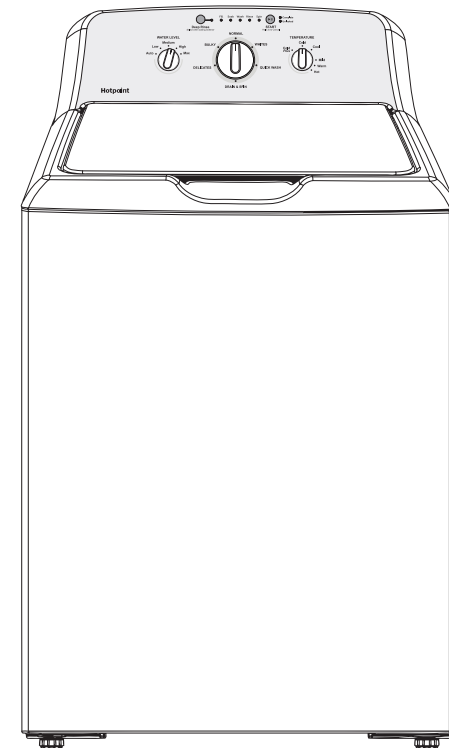
Bleach and Fabric Dispensers – Eliminate the need to add bleach and softeners mid-cycle with automatic bleach and softener dispensers in the washing machine.

Status Notification – Effortlessly monitor your wash cycle using the notification display that lights to indicate fill, soak, wash, rinse, or spin status at a glance.

COMPATIBLE DRYERS:

HTX26EASWWW – Hotpoint® 6.2 cu. ft. Capacity Electric Dryer with up to 120 Ft. Venting and Shallow Depth

HTX26GASWWW – Hotpoint® 6.2 cu. ft. Capacity Gas Dryer with up to 120 Ft. Venting and Shallow Depth



HTW265ASWWW: White



*Based on internal testing.

**Energy savings using cold water vs. hot water for the normal cycle with a max load using the DOE test procedure to measure machine and hot water energy.



Listed by
Underwriters
Laboratories

Specification Revised 2/24