

30" Steam Convection Oven

Benchmark® Series – Stainless Steel HSLP451UC



BOSCH
Invented for life



HSLP451UC
Stainless Steel

The only steam convection oven in its class installs flush, for a European kitchen design.

Features & Benefits

Steam convection cooking cooks meals that are crispy and tender.

Steam cooking maintains more of your vegetables' nutrients, flavors and color.

Designed to fit perfectly above a warming drawer or storage drawer.

The color TFT control panel with SteelTouch® buttons is easy to use.

Installs horizontally for perfect alignment with speed or steam oven.

Reheats leftovers with just-out-of-the-oven taste.

General Properties

Cooking modes	Steam, Steam Convection, European Convection, Reheat, Keep Warm, Defrost, Slow Cook, Proof, Dish Warming, 2 Chicken and 7 Vegetable Programs
---------------	--

Cleaning type	Steam Clean
Illumination type	Halogen
Interior lights	1

Oven Performance

Steam element wattage	1,960 W
Convection element wattages	1,960 W

Technical Details

Watts (W)	1,960 W
Circuit breaker (A)	15 A
Volts (V)	240 / 208 V
Frequency (Hz)	60 Hz
Power cord length (in)	48"
Plug type	Fixed connection, no plug
Energy source	Electric
Installation type	Non-plumbed



Dimensions & Weight

Overall appliance dimensions (HxWxD) (in)	19 5/8" x 29 3/4" x 22 3/8"
Required cutout size – Standard (HxWxD) (in)	19 1/4" x 28 1/2" x 23 1/2"
Required cutout size – Flush (HxWxD) (in)	20 1/8" x 30" x 23 1/2"
Oven cavity size (cu. ft.)	1.4
Net weight (lbs)	70 lbs

Accessories—Included

Included	Wire Rack, Perforated Cooking Pan – Full Size, Baking Tray, Perforated Cooking Pan – Half Size, Cooking
----------	---

Accessories—Optional



11027159
Cooking pan – full size, 1 5/8" deep [not included with product]



00664949
Baking tray – full size, 1 1/8" deep



00577553
Perforated cooking pan – half size, 1 5/8" deep



00577552
Cooking pan – half size, 1 5/8" deep



† To be fully ADA compliant, these units must be installed according to ADA guidelines. Please check current ADA requirements for guidance on installation.

Accessories: To purchase Bosch accessories, cleaners & parts please visit www.bosch-home.com/us/store or call 1-800-944-2904 (Mon to Fri 5 am to 6 pm PST, Sat 6 am to 3 pm PST).

Notes: All height, width and depth dimensions are shown in inches. BSH reserves the absolute and unrestricted right to change product materials and specifications, at any time, without notice. Consult the product's installation instructions for final dimensional data and other details prior to making cutout.

Warranties: Please see Use & Care manual or Bosch website for statement of limited warranty.

For more information on our entire line of products, go to www.bosch-home.com/us or call 1-800-944-2904

© BSH Home Appliances Corporation. All rights reserved. Bosch is a registered trademark of Robert Bosch GmbH.

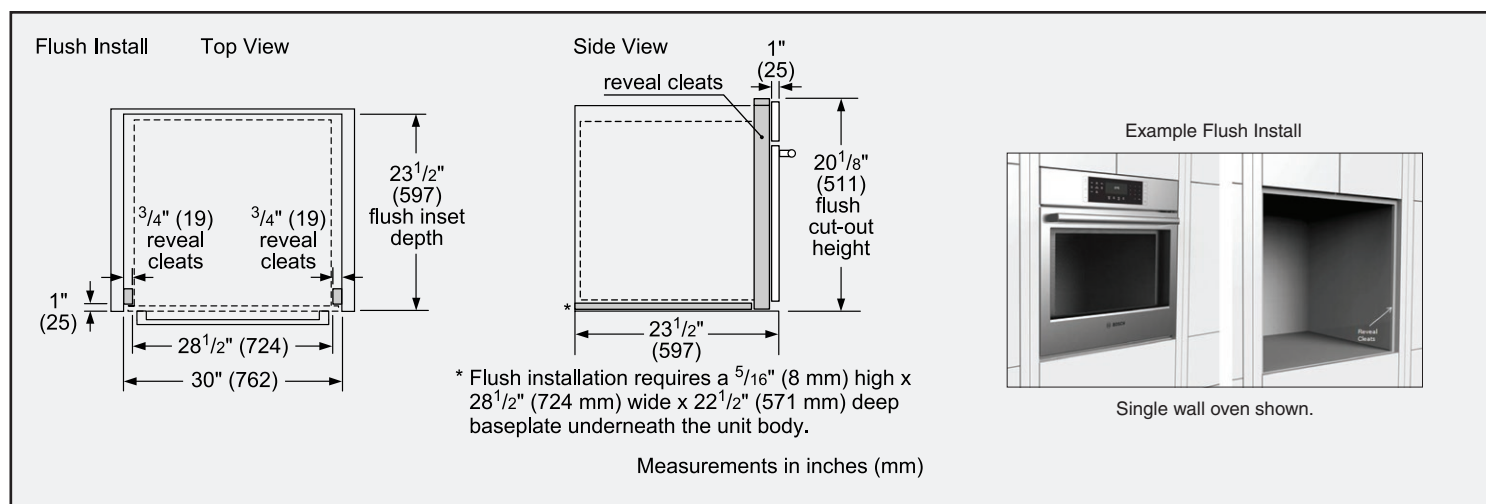
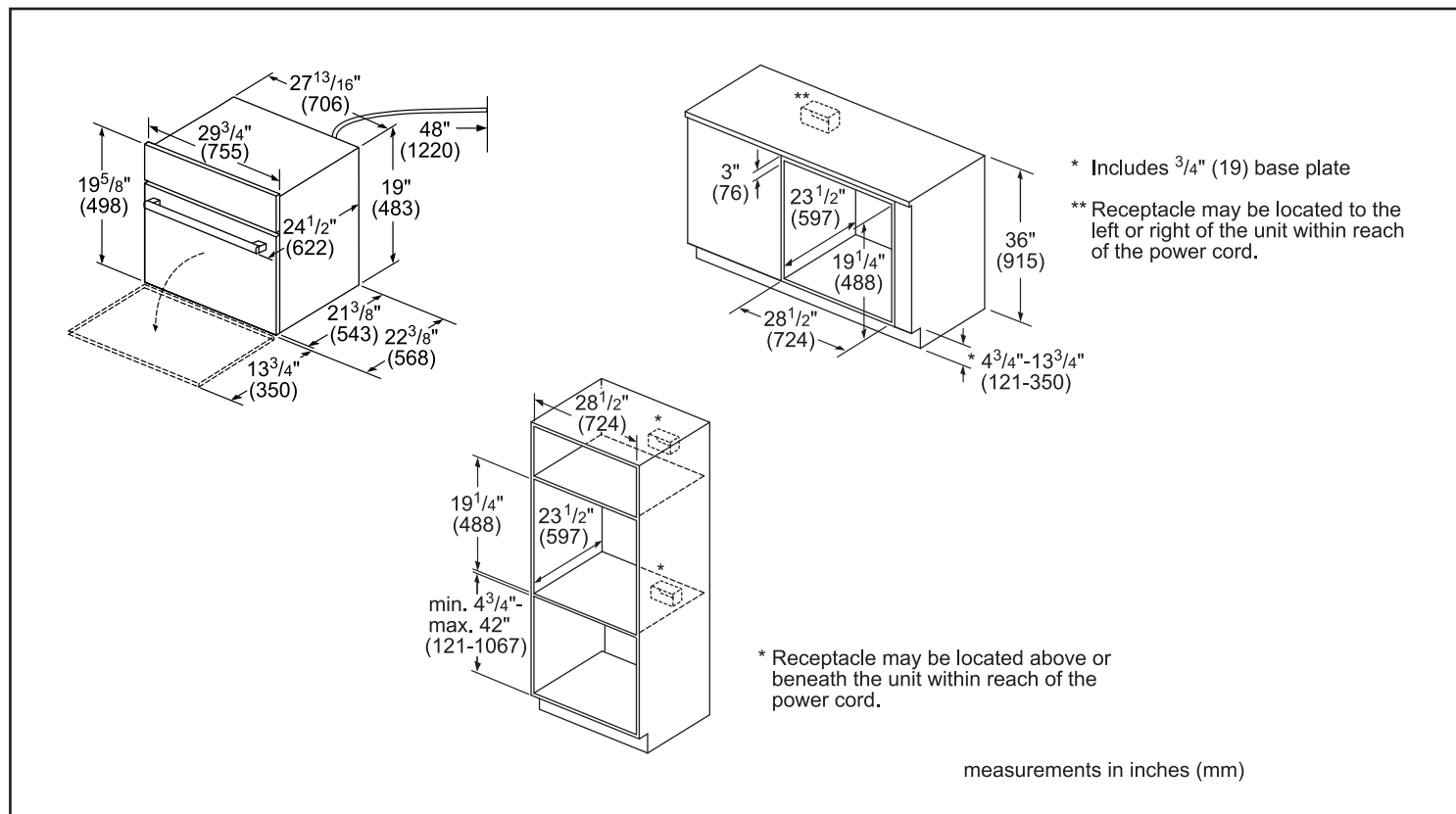
30" Steam Convection Oven

Benchmark® Series – Stainless Steel HSLP451UC



BOSCH
Invented for life

Installation Details



Accessories: To purchase Bosch accessories, cleaners & parts please visit www.bosch-home.com/us/store or call 1-800-944-2904 (Mon to Fri 5 am to 6 pm PST, Sat 6 am to 3 pm PST).

Notes: All height, width and depth dimensions are shown in inches. BSH reserves the absolute and unrestricted right to change product materials and specifications, at any time, without notice. Consult the product's installation instructions for final dimensional data and other details prior to making cutout.

Warranties: Please see Use & Care manual or Bosch website for statement of limited warranty.

For more information on our entire line of products, go to www.bosch-home.com/us or call 1-800-944-2904

© BSH Home Appliances Corporation. All rights reserved. Bosch is a registered trademark of Robert Bosch GmbH.

30" Steam Convection Oven

Benchmark® Series – Stainless Steel HSLP451UC



BOSCH
Invented for life

Installation Details

<p>Standard Installation 30" Steam Convection Oven over Storage or Warming Drawer</p> <p>* For installation into a wall cabinet, the receptacle may be installed above, below, or to the left or right of the unit within range of the power cord.</p>	<p>Flush Installation Steam Convection Oven over Storage or Warming Drawer</p> <p>Side View</p> <p>Measurements in inches (mm)</p>
<p>Standard Installation 30" Steam Convection Oven over Single Oven***</p> <p>*Junction box may be located above or next to the unit within the reach of the power cord. **Junction box may be located below (depending on space) or next to the unit within the reach of the power cord. ***Most combinations available as combo oven (one cut out, one electrical hook up).</p> <p>Minimum dimension between cut outs: • 1" (25mm) for wall oven cut out of 28⁵/₈" • 2⁵/₈" (67mm) for wall oven cut out of 27"</p> <p>measurements in inches (mm)</p> <p>NOTE: This configuration is available as a combo oven (one cut out, one electrical hook up) - HSLP751UC</p>	<p>Flush Installation Steam Convection Oven over Single Oven**</p> <p>Side View</p> <p>Steam Convection Oven *** Flush installation requires a base plate underneath the body: 30" Products - Dimensions: H 5¹/₁₆"(8) x W 28¹/₂"(724) x D 22¹/₂"(571)</p> <p>Wall Oven *IMPORTANT: base has to be able to support oven weight. Please check oven manual for minimum weight requirements. **Most combinations available as combo oven (one cut out, one electrical hook up).</p> <p>measurements in inches (mm)</p> <p>NOTE: This configuration available as a combo oven. See Note at left for details.</p>

Accessories: To purchase Bosch accessories, cleaners & parts please visit www.bosch-home.com/us/store or call 1-800-944-2904 (Mon to Fri 5 am to 6 pm PST, Sat 6 am to 3 pm PST).

Notes: All height, width and depth dimensions are shown in inches. BSH reserves the absolute and unrestricted right to change product materials and specifications, at any time, without notice. Consult the product's installation instructions for final dimensional data and other details prior to making cutout.

Warranties: Please see Use & Care manual or Bosch website for statement of limited warranty.

For more information on our entire line of products, go to www.bosch-home.com/us or call 1-800-944-2904

© BSH Home Appliances Corporation. All rights reserved. Bosch is a registered trademark of Robert Bosch GmbH.