

HR 1954-3 LP DF

48 inch range

– the Dual Fuel all-rounder with M Touch for the highest demands.



- Network-enabled WiFi appliance – Miele@home
- Plenty of space for cooking – eight powerful burners
- Speed oven for a maximum variety of uses
- Perfect baking and roasting results – Moisture plus
- Precise cooking temperature – Wireless Precision Probe

EAN: 4002516486503 / Material number: 11791680 / Old Material Number: 25195482USA

Heating type	
Dual fuel	•
Gas type	Liquid propane
Design	
Range including speed oven and gourmet drawer	•
Appliance width in inches	48
Operating modes	
Speed oven automatic programs	•
Speed Oven MasterChef automatic programs	•
Maxi Broil	•
Defrost	•
Convection Bake	•
Convection Roast	•
Auto roast	•
Combi Auto Roast	•
Broil	•
Intensive Bake	•
Moisture Plus	•
Slow roast	•
Microwave	•
Micro Broil	•
Combi Bake	•
Combi Broil	•
Surround	•
Browning	•
Bake	•
Convection Roast	•
Special modes	•
Design	
Appliance color	Clean Touch Steel
Oven display	M Touch
Speed Oven display	M Touch / M Touch
Convenience features	
Precise speed oven temperature regulation in °F (°C)	85-475 (30-250)
Wireless Precision Probe	•
Roast probe- speed oven	•
Keep-warm function	•
Crisp function	•
Convenience features and modes	
Warm cups	•
Warm plates	•
Keep food at serving temperature	•
Low-temperature cooking	•
Precise electronic temperature control from 104°F to 185°F	•
Cooktop features	
Number of gas burners	8
Number of TrueSimmer burners x power in BTU	2 x 10.00
Number of power burners x power in BTU	2 x 13.00
Number of high burners x power in BTU	4 x 19.50
True Simmer function	•

HR 1954-3 LP DF

48 inch range

– the Dual Fuel all-rounder with M Touch for the highest demands.



EAN: 4002516486503 / Material number: 11791680 / Old Material Number: 25195482USA

GasStop	•
User convenience	
Networking with Miele@home	•
Precision knobs	•
Illuminated knob	•
ComfortSwivel handle	•
Motorized lift-up control panel	•
Time synchronization	•
Sabbath program	•
Automatic switch-off	•
Acoustic signal when desired temperature is reached	•
MultiLingua	•
MyMiele	•
Warming drawer capacity	6 place settings
Microwave popcorn function	•
Timed bursts of steam	•
Recommended microwave output for each mode	•
Fully telescopic for easy loading and unloading of the gourmet drawer	•
Gourmet drawer with push-to-open mechanism	•
Time of day display	•
Date display	•
Minute minder	•
Programmable cooking time	•
Actual temperature display	•
Default temperature	•
Minute Plus button	•
Favorites	•
Individual settings	•
Appliance door	
CleanGlass door	•
Door contact switch	•
SoftClose oven door/ SoftOpen	•
Oven compartment	
Oven cavity volume in cu. ft. (l)	3.21 (91) ft ³ (l)
Speed oven cavity volume in cu.ft. (l)	1.52 (43)
Number of oven shelf levels	5
Number of Speed Oven shelf levels	3
No. of halogen lamps	triple in oven/single in speed oven
Efficiency and sustainability	
Energy-saving lighting circuit	•
Automatic residual heat utilization	•
Rapid PreHeat	•
Cleaning convenience	
Stainless-steel front with partial Clean Touch Steel finish	•
Stainless-steel Speed Oven interior with PerfectClean and linen-weave finish	•
Oven with self-cleaning program	•
AirClean catalyzer	•
Catalyzer	heated
ComfortClean dishwasher-safe grates	•

HR 1954-3 LP DF

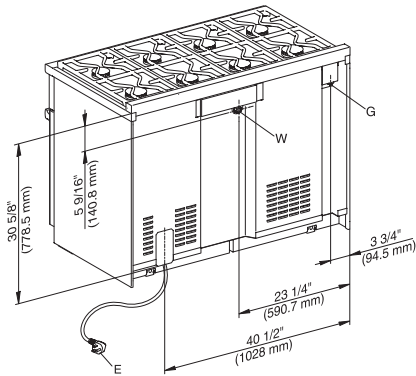
48 inch range

– the Dual Fuel all-rounder with M Touch for the highest demands.

HR 1954-3 LP DF

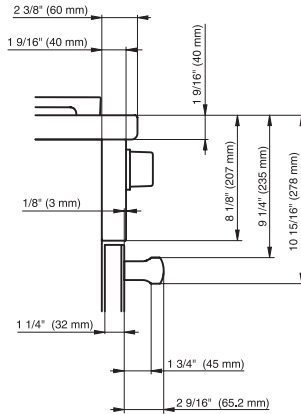
48 inch range

– the Dual Fuel all-rounder with M Touch for the highest demands.



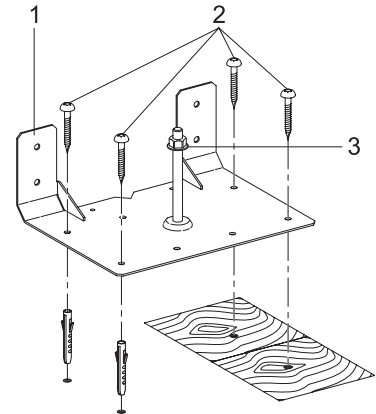
HR1954G, HR1954-2, HR1954-3 (installation drawing)

E = Electric Connection, W = Water connection, G = Gas connection



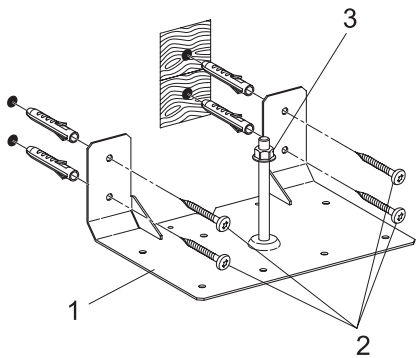
HR19x4, HR193x, HR195x (installation drawing)

(x) = Toe-kick height adjustment 5" – 6 1/2" (127 mm – 165.1 mm)



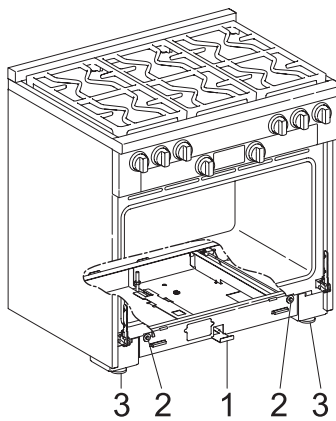
HR11xx, HR19xx, HR17xx – Installation drawing

1 Anti-tip device, 2 Screws, 3 Locking nut



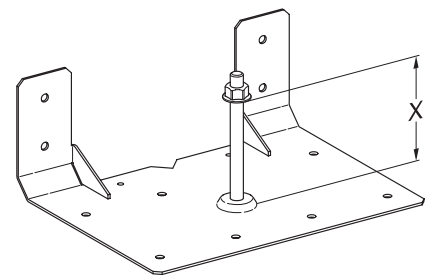
HR11xx, HR19xx – Installation drawing

1 Anti-tip device, 2 Screws, 3 Locking nut



HR11xx, HR19xx, HR17xx – Installation drawing

1 Anti-tip device, 2 Screws, 3 Locking nut



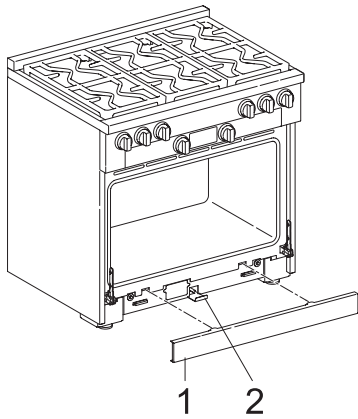
HR11xx, HR19xx, HR17xx – Installation drawing

X 3 13/16" (97 mm): HR1124, HR1134, HR1135, HR1136, HR1724, HR1924, HR1934, HR1935, HR1936, HR1954, HR1955, HR1956, X 3 1/4" (82 mm): HR1134-2, HR1134-3, HR1135-2, HR1135-3, HR1136-2, HR1136-3, HR1924-2, HR1924-3, HR1934-2, HR1934-3, HR1935-2, HR1935-3, HR1936-2, HR1936-3, HR1954-2, HR1954-3, HR1955-2, HR1955-3, HR1956-2, HR1956-3

HR 1954-3 LP DF

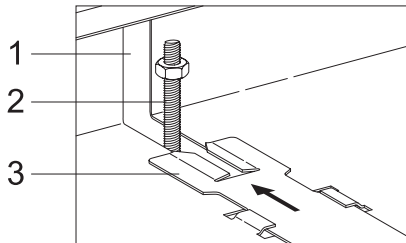
48 inch range

– the Dual Fuel all-rounder with M Touch for the highest demands.



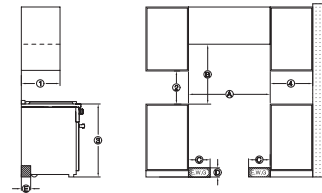
HR11xx, HR19xx, HR17xx – Installation drawing

1 Toe kick cover , 2 Locking clamp



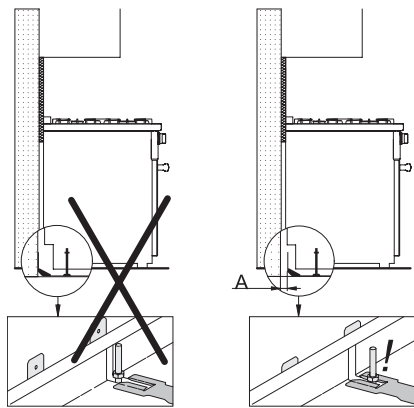
HR11xx, HR19xx, HR17xx – Installation drawing

1 Opening in the range housing , 2 Bolt of the anti-tip device , 3 Locking clamp with slot



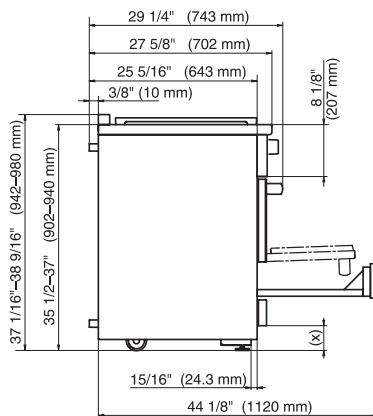
HR19xx – Installation drawing

Maximum depth of top cabinet , Minimum distance to bottom edge of top cabinet , Distance from the floor to cooktop surface , Minimum distance to combustible surfaces , , E = Electric connection, W = Water connection, G = Gas connection , , (A) Width of cabinet opening, (B) Minimum distance between the top of the cooking area and the bottom of an unprotected combustible surface. Minimum distance to a protected combustible surface or when a Miele Ventilation Hood is installed. For all other Hoods please consult the manufacturer's specifications for required distances., (C) Maximum connection width right and left , (D) Maximum connection height , (E) Maximum connection depth



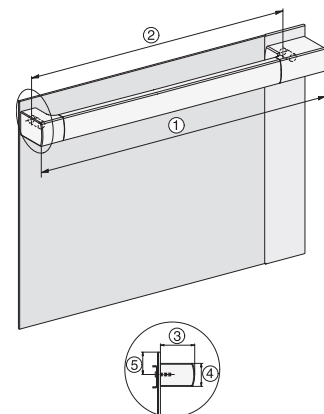
HR11xx, HR19xx, HR17xx – Installation drawing

A = Distance between the rear of the range to the supporting wall



HR1954-3, HR1955-3, HR1956-3, Side view, installation drawing

(x) = Depending on the appliance height adjustment: 4" – 5 1/2" (101.6 mm – 139.7 mm)



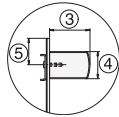
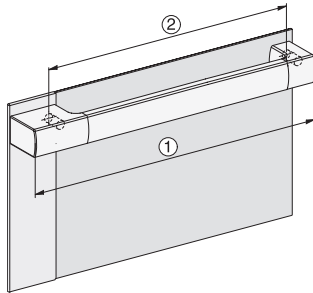
HR1954-3, HR1955-3, HR1956-3 installation drawings

48", 22 1/16" / 560,55 mm, 18" / 456,55 mm, 2 1/2" / 64 mm, 1 11/16" / 43 mm, 1 1/2" / 38,5 mm

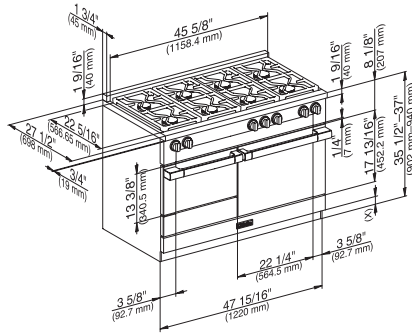
HR 1954-3 LP DF

48 inch range

– the Dual Fuel all-rounder with M Touch for the highest demands.

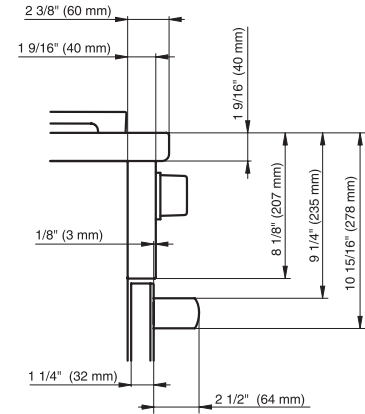


HR1954-3, HR1955-3, HR1956-3, installation drawings
 48", 18 1/16" / 458,25 mm, 13 15/16" / 354,25 mm,
 2 1/2" / 64 mm, 1 11/16" / 43 mm, 1 1/2" / 38,5 mm



HR1954-3 (installation drawing)

(x) = Toe-kick height adjustment 4" – 5 1/2" (101.6 mm – 139.7 mm)



HR1924-3, HR1934-3, HR1935-3, HR1936-3, HR1954-3,
 HR1955-3, HR1956-3 (installation drawing)