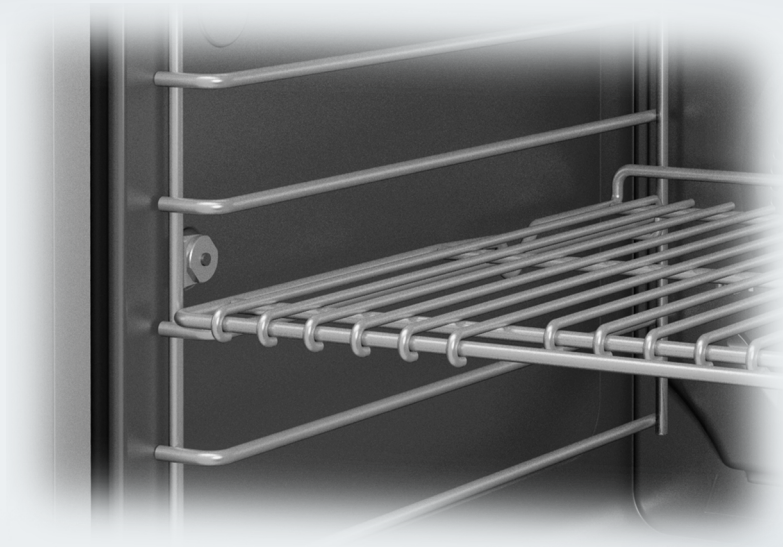


Installation Instructions Range



To prevent accidents and damage to the range, you **must** read all instructions supplied before installing or using the appliance.

PRECAUTIONS TO AVOID POSSIBLE EXPOSURE TO EXCESSIVE MICROWAVE ENERGY

PRECAUTIONS TO AVOID POSSIBLE EXPOSURE TO EXCESSIVE MICROWAVE ENERGY

- (a) Do not attempt to operate this oven with the door open since open-door operation can result in harmful exposure to microwave energy. It is important not to defeat or tamper with the safety interlocks.

- (b) Do not place any object between the oven front face and the door or allow soil or cleaner residue to accumulate on sealing surfaces.

- (c) Do not operate the oven if it is damaged. It is particularly important that the oven door close properly and that there is no damage to the: (1) Door (bent), (2) hinges and latches (broken or loosened), (3) door seals and sealing surfaces.

- (d) The oven should not be adjusted or repaired by anyone except properly qualified service personnel.

IMPORTANT SAFETY INSTRUCTIONS

WARNING

Children and adults can tip over the range if has not been secured. This may lead to fatal injuries.

- ▶ This range must be secured and connected using the anti-tip device according to the installation instructions.
- ▶ If you have moved the range, slide the locking latch onto the anti-tip device until you feel it lock into place.
- ▶ Do not use the range if the anti-tip device has not been properly installed and engaged.
- ▶ Failure to observe the information contained in the installation instructions can lead to serious or fatal injuries for children and adults.

	 WARNING
	<p>All ranges can tip</p> <p>Injury to persons could result</p> <p>Install anti-tip devices packed with range</p> <p>See installation instructions</p>

IMPORTANT SAFETY INSTRUCTIONS

⚠ WARNING: If the information in this manual is not followed exactly, a fire or explosion may result causing property damage, personal injury, or death.

- Do not use or store gasoline or other combustible liquids or vapors in the vicinity of this or any other appliance.
- WHAT TO DO IF YOU SMELL GAS
 - Do not try to light any appliance.
 - Do not touch any electric switches.
 - Do not use any phones inside your building.
 - Immediately call your gas supplier from a neighbor's phone. Follow the gas supplier's instructions.
 - If you are unable to reach your gas provider, call the fire department.
- Installation and service must be performed by a qualified installer, qualified service agency or your gas provider.
(In Massachusetts, installation must be performed by a licensed installer / gas fitter.)
- Note to the installer:
Please give these installation instructions to the consumer for the local electrical/gas inspector.



PRECAUTIONS TO AVOID POSSIBLE EXPOSURE TO EXCESSIVE MICROWAVE ENERGY	2
IMPORTANT SAFETY INSTRUCTIONS	3
IMPORTANT SAFETY INSTRUCTIONS	7
Notes on installation	16
Data plate	16
Distance to the range hood	16
Scope of delivery	16
Toe kick panel and splash guard	16
Installation of the toe-kick.....	16
Installation of the drip tray	16
Optional accessories	18
RBGAG All Gas Backguard/RBGDF Dual Fuel Backguard	18
RBS Backsplash.....	20
Installation site	21
Ventilation.....	21
Range net weight	22
Required connections	22
All Gas Range dimensions	23
HR 1124-3 AG.....	23
Detailed views of HR 1124-3 AG	25
HR 1134-3 AG, HR 1135-3 AG, HR 1136-3 AG	29
Detailed views of HR 1134-3 AG	31
Detailed views of HR 1135-3 AG	35
Detailed views of HR 1136-3 AG	39
All Electric Range dimensions	43
Detailed views of HR 1421-3 E.....	45
Detailed views of HR 1422-3 i	49
Detailed views of HR 1622-3 i	53
Dual Fuel Range dimensions	57
HR 1724-3 DF.....	57
Detailed views of HR 1724-3 DF	59
HR 1924-3 DF	63
Detailed views of HR 1924-3 DF.....	65
HR 1934-3 DF, HR 1935-3 DF, HR 1936-3 DF.....	69
Detailed views of HR 1934-3 DF.....	72
Detailed views of HR 1935-3 DF.....	76
Detailed views of HR 1936-3 DF.....	80

Contents

HR 1954-3 DF, HR 1955-3 DF, HR 1956-3 DF	84
Detailed views of HR 1954-3 DF	87
Detailed views of HR 1955-3 DF	91
Detailed views of HR 1956-3 DF	95
Anti-tip device	99
Before installation	99
Checking the installation niche	100
Included accessories	102
Installation dimensions of locking bolt.....	102
Installing the Range with the anti-tip device.....	102
Disconnecting the range from the anti-tip device	104
Plumbed water connection	105
Electrical connection.....	107
Data plate.....	109
Gas connection	110
Burner ratings	112
Burner ratings HR 1124-3 AG.....	112
Burner ratings HR 1134-3 AG.....	113
Burner ratings HR 1135-3 AG.....	113
Burner ratings HR 1136-3 AG.....	114
Burner ratings HR 1724-3 DF.....	114
Burner ratings HR 1924-3 DF	115
Burner ratings HR 1934-3 DF	115
Burner ratings HR 1935-3 DF	115
Burner ratings HR 1936-3 DF	116
Burner ratings HR 1954-3 DF	116
Burner ratings HR 1955-3 DF.....	117
Burner ratings HR 1956-3 DF	117
Customer Service	118
Contact in the event of a fault	118
Data plate	118
Appliance warranty and product registration	118
Caring for the environment	119
Copyrights and licenses	120
Copyrights and licenses for the communication module	121

IMPORTANT SAFETY INSTRUCTIONS

When using the Range, please comply with the basic safety requirements, including the following instructions:

Read all instructions before installation and use of the Range to prevent accidents and damage to the appliance.

This range complies with current safety requirements. However, improper use of the appliance can result in personal injury or damage to property.

Please read the installation instructions carefully before installing and connecting the appliance.

Read the operating instructions before using the range for the first time. To prevent accidents and damage to the appliance, always observe both the installation instructions and operating instructions. Both documents contain important information about installation, safety, use and maintenance.

Miele cannot be held liable for damage occurring as a result of non-compliance with the instructions.

Keep these installation instructions and operating instructions in a safe place and pass them on to any future owner.

When using the appliance, follow basic safety precautions, including the following:

Read all instructions before installation and use of the oven to prevent accidents and machine damage.

WARNING - To reduce the risk of burns, electric shock, fire, injury to persons, or exposure to excessive microwave energy:

IMPORTANT SAFETY INSTRUCTIONS

This appliance complies with current safety requirements. Improper use of the appliance can lead to personal injury and material damage.

Read all instructions before installing or using the oven for the first time. Only use the appliance for its intended purpose.

Keep these operating instructions in a safe place and pass them on to any future user.

Read and follow the specific “PRECAUTIONS TO AVOID POSSIBLE EXPOSURE TO EXCESSIVE MICROWAVE ENERGY” found at the beginning of this manual.

Only use the appliance for its intended purpose. Install or locate this appliance only in accordance with the provided installation instructions and all local codes.

Appropriate use

- ▶ This range is intended for domestic use and use in other similar environments.
- ▶ This appliance is not intended for outdoor use.
- ▶ Use the range exclusively under normal domestic conditions:
 - Use the oven for baking, roasting, broiling, defrosting, canning and drying food.
 - Use the cooktop to prepare food and keep it warm.

Any other use is not permitted.

- ▶ Risk of Fire! Do not use this oven to store or dry combustible materials.
- ▶ Persons who lack physical, sensory or mental abilities, or experience with the appliance should not use it without supervision or instruction by a responsible person.

IMPORTANT SAFETY INSTRUCTIONS

▶ The oven compartment is equipped with special bulbs to cope with particular conditions (e.g., temperature, moisture, chemical resistance, abrasion resistance, and vibration). These special bulbs must only be used for the purpose for which they are intended. They are not suitable for room lighting.

Safety with children

▶ Activate the system lock to ensure that children cannot switch on the oven inadvertently.

▶ Children should be supervised in the vicinity of the range. Never allow children to play with the range.

▶ Children must be kept away from the range unless they are constantly supervised.

▶ Risk of burns due to improper use. Do not allow children to operate the range.

▶ Burn Hazard - Do not allow children to use the oven. Failure to do so can result in severe burns or serious injury.

▶ Burn Hazard - Do not allow children to use the cooktop. Failure to do so can result in severe burns or serious injury.

▶ Risk of suffocation from packaging material. While playing, children may become entangled in packaging material (such as plastic wrapping) or pull it over their head, presenting the risk of suffocation. Keep packaging material away from children.

▶ Risk of injury caused by hot surfaces. Children's skin is far more sensitive to high temperatures than that of adults. External parts of the oven such as the door glass, control panel, and the vent become quite hot. Do not let children touch the oven when it is in operation.

▶ Risk of injury caused by hot surfaces. Children's skin is far more sensitive to high temperatures than that of adults. The oven gets much hotter during the Self Clean program than during normal use. Do not let children touch the oven during the Self Clean program.

▶ The cooktop gets hot when in use and remains hot for some time after being turned off. Keep children away from the appliance until it has cooled down and is no longer a burn hazard.

IMPORTANT SAFETY INSTRUCTIONS

▶ Burn hazard!

Keep the spaces above and behind the cooktop clear of any items that could draw the attention of children. Otherwise, they can be tempted into climbing onto the appliance.

▶ Risk of burning or scalding.

Turn pot and pan handles inward, so children cannot pull them down and be burned.

▶ Risk of injury from the open door. The oven door can support a maximum weight of 33 lbs (15 kg). Children could injure themselves on an open door.

Do not let children sit on the door, lean against it, or swing on it.

Technical safety

▶ This appliance must be installed and connected in compliance with the installation instructions.

▶ Unauthorized installation, maintenance, and repairs can cause considerable danger for the user. Installation, maintenance, and repairs should only be carried out by a Miele authorized technician.

▶ Do not carry or lift the range by the oven door handle or the control panel!

▶ Check whether the anti-tip device is properly installed and locked into place (see “Anti-tip device”):

- The anti-tip device must be fastened to the floor or wall with suitable screws.
- You must be able to feel that the locking latch is engaged in the bolt of the anti-tip device.

IMPORTANT SAFETY INSTRUCTIONS

▶ Temporary or permanent operation on an autonomous power supply system or a power supply system that is not synchronized with the grid power supply (e.g., island networks, back-up systems) is possible. A prerequisite for operation is that the power supply system complies with national and local codes.

The function and operation of the protective measures provided in the domestic electrical installation and in this Miele product must also be maintained in isolated operation or in operation that is not synchronized with the grid power supply, or these measures must be replaced by equivalent measures in the installation.

▶ Slide the range's locking latch into place on the anti-tip device. The locking latch must be noticeably engaged with the bolt of the anti-tip bracket.

▶ A damaged range can be dangerous. Always check for visible signs of damage. Never use a damaged appliance.

▶ The electrical safety of the range can only be guaranteed when it is properly grounded. Compliance with this essential safety requirement is absolutely mandatory. If in any doubt, please have the building's wiring system inspected by a qualified electrician.

▶ Proper installation: Make sure that your appliance has been installed correctly and that it has been grounded by a qualified technician.

▶ To avoid damaging the range, make sure that the connection data (voltage and frequency) on the data plate correspond to the building's power supply before connecting the appliance. When in doubt, consult a qualified electrician.

▶ Installation and maintenance of the gas connection must be performed by qualified installers, service agencies or gas providers.

▶ During installation, maintenance and repair work, e.g. if the oven lighting is broken, the range must be completely disconnected from the power supply (see "Frequently asked questions"). The gas inlet valve must be closed. It is only completely isolated from the supply when:

- The circuit breakers have been switched off, or
- the fuses of the electrical installation have been completely removed, or

IMPORTANT SAFETY INSTRUCTIONS

- the plug (if present) is removed from the outlet. To do this, pull the plug not the cord.
 - Shut off the gas supply and disconnect the range from the gas supply. Installation and maintenance of the gas connection must be performed by qualified installers, service agencies or gas providers.
- ▶ Do not use a power strip or extension cord to connect the range to electricity. These are a fire hazard and do not guarantee the required level of appliance safety.
- ▶ This range must not be installed and operated in non-stationary installations (e.g., on a ship).
- ▶ Risk of injury due to electric shock. Any contact with live connections or tampering with the electrical or mechanical components of the range will endanger your safety and may lead to appliance malfunctions.
Do not open the range housing under any circumstances.
- ▶ Any repairs not performed by a Miele authorized service technician will void the warranty.
- ▶ Miele can only guarantee the safety of the appliance when original Miele parts are used. Faulty components must only be replaced with genuine Miele parts.
- ▶ The range requires a sufficient supply of cool air for efficient operation. Make sure that the supply of cool air is not hindered in any way (e.g., by installing heat insulation strips in the cabinet niche). In addition, the required supply of cool air must not be excessively heated by other heat sources.
- ▶ Changes or modifications not expressly approved by Miele may void the user's authority to operate the oven.
- ▶ Danger of electric shock.
If the cooktop is defective, immediately turn the appliance off and discontinue use. Disconnect it from the electricity and gas supply. Contact Customer Service.

IMPORTANT SAFETY INSTRUCTIONS

- ▶ Risk of electric shock! If the ceramic surface of the cooktop is defective or chipped, cracked or broken in any way, immediately switch the cooktop off and do not continue to use it. Disconnect the range from the power supply and contact Miele Technical Service.
- ▶ Reaching over a hot cooktop to access the cabinets can result in burns. You can reduce the risk of burns by installing a range hood that extends at least 4 3/4" (12 cm) past the bottom of the cabinets.
- ▶ For safety reasons, only use the range when it has been fully installed.
- ▶ The water shut-off valves must be accessible when the appliance is installed.
- ▶ The protective sleeve of the water intake hose must not be damaged or become kinked.
- ▶ The integrated water protection system offers protection from water damage, provided the following conditions are met:
 - The appliance is properly installed (electric and water).
 - A damaged appliance is dangerous. Contact Miele to have it repaired immediately.
 - Turn off the water supply when the appliance is not in use for an extended period (e.g., vacation).
- ▶ The water quality must conform to the requirements for drinking water in the country in which the oven is being used.

Cleaning and care

- ▶ Do not clean the non-slip mat from the Gourmet Warming Drawer in the dishwasher or washing machine. Never place it in the oven to dry!
- ▶ Only clean parts listed in these operating and installation instructions.
- ▶ There is a delicate fiberglass seal around front of the oven compartment provide a seal for the glass on the inside of the oven door. This can be damaged by rubbing or scouring. If possible, refrain from cleaning this.

IMPORTANT SAFETY INSTRUCTIONS

- ▶ Do not use oven cleaners. Do not use standard oven cleaners in the oven compartment or on the front of the oven. Never line the oven with oven liners.
- ▶ Risk of injury due to electric shock. The steam from a steam cleaning appliance could reach live electrical components and cause a short circuit. Never use a steam cleaner for cleaning.
- ▶ Scratches on the door glass can cause the glass to break. Do not use abrasive cleaners, hard sponges, brushes, or sharp metal tools to clean the door glass.
- ▶ Try to prevent the interior walls being splashed with food containing salt. If this does happen, wipe it away thoroughly to avoid corrosion to stainless steel surfaces inside the oven compartment.
- ▶ The side runners can be removed (see “Cleaning and care of the oven – Removing the side runners”). Reinstall the side runners correctly.
- ▶ Coarse soiling in the oven compartment can cause thick smoke to develop. Remove coarse soiling from the oven compartment before running the Self Clean program.
- ▶ Risk of injury caused by hazardous steam. During the Self Clean program, steam can be released. During the Self Clean program, do not stay in the kitchen for longer periods of time and do not let children and pets enter the kitchen. It is important to ensure that the kitchen is well ventilated during the Self Clean program. Close doors to other rooms to prevent the odor spreading throughout the house.
- ▶ In warm, moist environments, there is a higher probability of pest infestations. Ensure the oven and the area surrounding it are always kept clean. Damage caused by pests is not covered by the warranty.
- ▶ The cooktop is installed above a Self Clean oven. Do not use it during self cleaning, as this could trigger the overheating protection on the cooktop (see “Safety features of the induction cooktop”, “Overheating protection”).

IMPORTANT SAFETY INSTRUCTIONS

The following applies to stainless steel surfaces:

- ▶ Adhesives will damage the coated stainless steel surface and cause it to lose its dirt-repellent protective coating. Do not use sticky notes, adhesive tape, or other types of adhesive on the stainless steel surface.
- ▶ Magnets can cause scratches. Do not use the stainless steel surface as a magnetic notice board.

Accessories

- ▶ Only use original Miele accessories. Using parts or accessories from other manufacturers will invalidate the warranty, and Miele cannot accept liability.
- ▶ Only use the Miele probe supplied with the appliance. If it is faulty, it must be replaced with a new original Miele probe.
- ▶ The plastic on the probe can melt at very high temperatures. Do not use the probe when using the broiling operating modes. Do not store the probe in the oven compartment when it is not being used.
- ▶ Accessories that are not suitable for the Self Clean program will be damaged by the high temperatures. Remove all accessories that are not suitable for the Self Clean program from the oven compartment before starting the Self Clean process. This also applies to optional accessories that are not suitable for the Self Clean program (see “Cleaning and care of the oven”).

Preparing for a long period of absence

- ▶ If you turn off your domestic water connection when you're going to be away for a long period of time, please note that this may not be enough to prevent water damage. To eliminate the risk of water damage, close the faucet at each individual appliance.

KEEP THE OPERATING AND INSTALLATION INSTRUCTIONS IN A SAFE PLACE AND REVIEW THEM PERIODICALLY.

Notes on installation

The models described in these operating instructions can be found at the end.

Data plate

The data plate is located behind the toe kick panel. The toe kick panel is attached to the toe kick of the Range by magnets so it can be removed and put back again easily.

There you can find the model number, serial number and the connection data (voltage/frequency/maximum rated load) for your Range.

Have this information available if you need to contact Miele so that any issues can be rectified as quickly as possible.

Distance to the range hood

The minimum clearance between the appliance and a range hood above will be listed by the hood manufacturer.

If there is more than one appliance installed below the range hood, each with a different safety clearance, the largest clearance must be used.

Scope of delivery

Toe kick panel and splash guard

30" and 36" Range

These components are located in the packaging of the Range.

48" Range

These components are pre-assembled.

Installation of the toe-kick

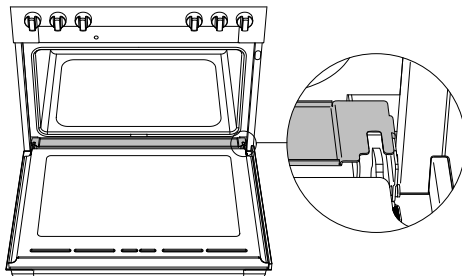
The toe-kick has sheet metal lugs and magnets by means of which it can be positioned and attached to the base of the range.

- Position the toe-kick in such a way that the sheet metal lugs are facing the provided holes in the base.
- Push the toe-kick onto the base of the range until it audibly locks into place.

Installation of the drip tray

The drip tray covers the gap between the oven cavity and the door.

- Open the oven door.

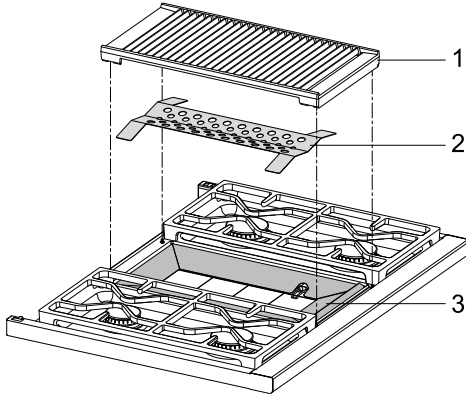


- Lay the drip tray over the gap between the oven cavity and the door.
- Close the oven door.

Disassembling the grill

⚠ Danger of burning!
Burners must be switched off. Make sure the cooktop has cooled down.

To make cleaning easier, you can dismantle the grill.



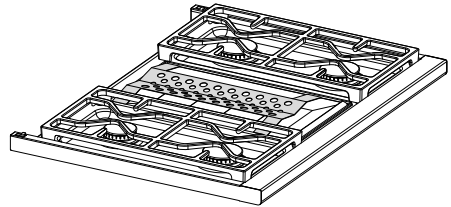
- ① Grill
- ② Protective panel
- ③ Frame

⚠ Risk of injury!
The cast-iron grill is heavy. Carry the grill carefully and place it securely on a soft surface so that it lies flat.

- Remove the grill ① from the cooktop.
- Remove the protective panel ② and, if required, the frame ③.
- Clean the parts with warm water, liquid dish soap, and a soft sponge.
- Dry all parts with a soft cloth.

Reinstall by following these instructions in reverse order.

- Place the frame ③ on the surface burner. The recess for the igniter is located on the right side in the lower quarter of the frame.
- Place the protective panel ② on the frame ③.



- Replace the grill ①.

Notes on installation

Optional accessories

All accessories listed in these instructions are designed to be used with the Miele Range.

These can be ordered from www.miele-shop.com, Miele Customer Service, or from your Miele dealer.

When ordering, please quote the model number of your Range and the reference number of the accessories required.

RBGAG All Gas Backguard/RBGDF Dual Fuel Backguard

Depending on the model, you can exchange the existing island trim of your appliance for a larger range backguard. The backguard is available in the following heights: 12" (305 mm) and 20" (508 mm).

All Gas Range

Risk of injury caused by hot vapors. Hot vapors are emitted above the island trim during Self Clean as well as when cooking food in the oven. You could burn yourself on the hot vapors.

Do not reach above the island trim and keep others away from it when you are using the oven.

All Gas Range

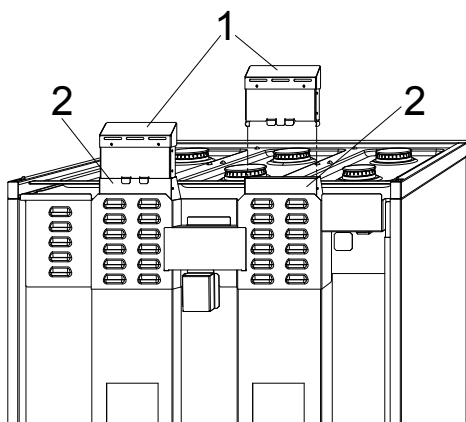
Hot vapors are emitted above the island trim during Self Clean as well as when cooking food in the oven. The emission of vapors can soil and discolor surfaces above the island trim. Take precautions to protect sensitive surfaces such as marble, granite, and tiles against soiling and discoloration (surfaces of this nature can be difficult or even impossible to clean).

Mounting the RBGAG All Gas Backguard

The rear of the Range must be accessible.

Mount the backguard before installing the anti-tip device and connecting the Range.

- Undo the screws from the island trim.
- Pull back the island trim slightly until it can be removed.

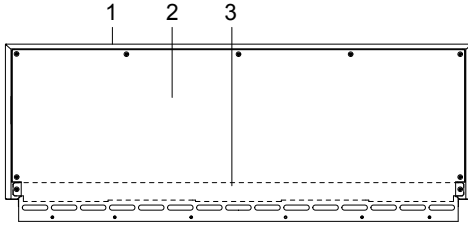


① Extender

② Air duct

- Insert one extender ① onto each of the left and right air ducts ②.
- Screw the extenders ① into place with 2 screws each.

Notes on installation

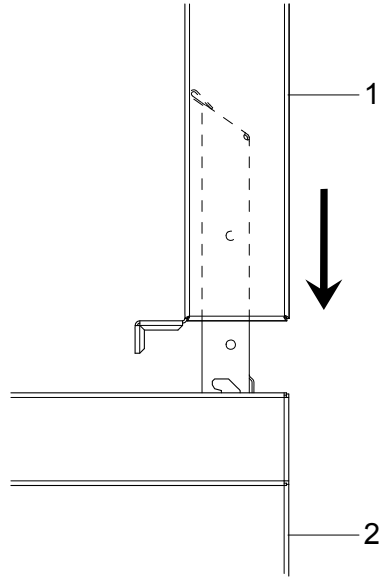


① Backguard

② Rear backguard panel

③ Interior panel

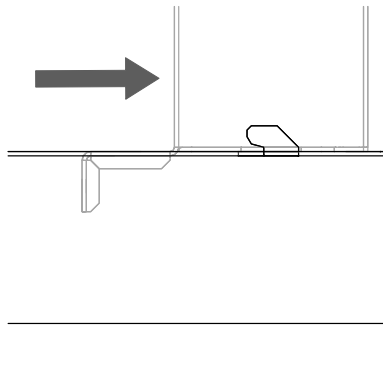
- To avoid scratching the backguard ①, place it front side downward on a soft surface (e.g., a blanket). The lower edge should line up with the edge of the table so that the backguard is lying flat.
- Remove the screws from the rear of the backguard.
- Remove the rear ② and interior ③ panels.



① Backguard

② Range

- Push the backguard ① over the air duct extenders from above.

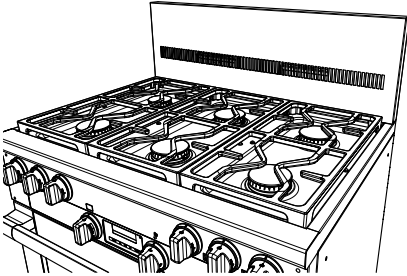


- As soon as the backguard is sitting on the Range, push the backguard backward.
- Secure the interior panel and the rear panel to the backguard with the screws supplied.

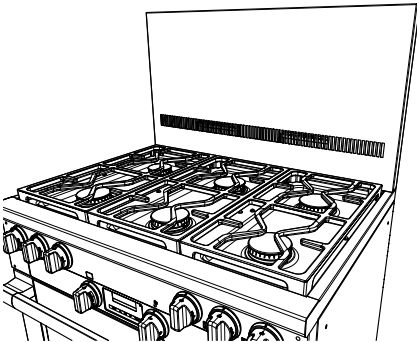
Notes on installation

- Secure the backguard to the Range with the screws supplied.

Backguard 12" (305 mm)



Backguard 20" (508 mm)



Mounting the Dual Fuel RBGDF Backguard

The rear of the Range must be accessible.

Mount the backguard before installing the anti-tip device and connecting the Range.

- Undo the screws from the island trim.
- Pull back the island trim slightly until it can be removed.

Reinstall the backguard by following these instructions in reverse order.

RBS Backsplash

The backsplash is intended for installation to a Miele Range Hood (DAR model). Observe the installation instructions of the Miele Range Hood.

Installation site

This Range is not intended for outdoor use.

Ranges with a plumbed water connection must not be installed in rooms where there is a risk of freezing temperatures.

To ensure the safe installation of the appliance and to guarantee its correct functioning, the floor of the niche where the appliance is to be installed must be flat and level.

The niche floor must be made of strong, rigid material.

Because the Range is heavy and has to be secured with the anti-tip device supplied, the surface must be able to fully bear the load of the appliance. If necessary, seek the advice of an architect or construction expert.

Do not carry or lift the range by the oven door handle or the control panel!

Ventilation

The air intake and outlet openings must not be covered or blocked in any way.

Notes on installation

Range net weight

The Range is heavy.

Due to the size and weight of the appliance, installation should be performed by two people.

Model	Width	Net weight incl. accessories
HR 112x-3 AG HR 1421-3 E* HR 1422-3 i HR 1622-3 i HR 1724-3 DF HR 192x-3 DF	29 15/16" (762 mm)	approx. 307 lbs (140 kg)
HR 113x-3 AG HR 193x-3 DF	35 15/16" (915 mm)	approx. 405 lbs (180 kg)
HR 195x-3 DF	47 15/16" (1,220 mm)	approx. 573 lbs (260 kg)

* Only available in Canada.

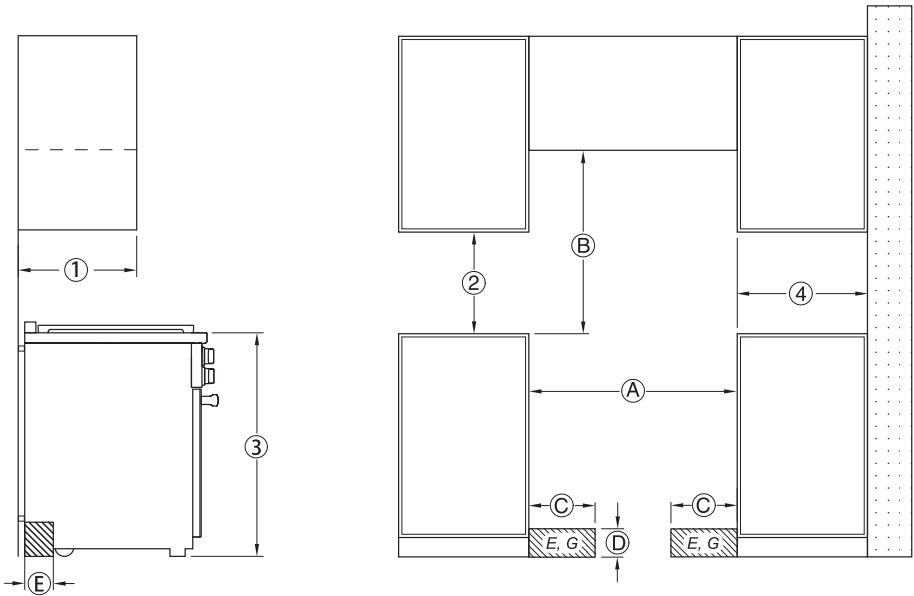
Required connections

Model	Electrical connection	Gas connection	Plumbed water connection
HR 112x-3 AG HR 113x-3 AG	Yes	Yes	No
HR 1421-3 E*	Yes	No	No
HR 1422-3 i	Yes	No	No
HR 1622-3 i	Yes	No	Yes
HR 172x-3 DF	Yes	Yes	No
HR 192x-3 DF HR 193x-3 DF HR 195x-3 DF	Yes	Yes	Yes

* Only available in Canada.

All Gas Range dimensions

HR 1124-3 AG



Ⓒ, Ⓓ, Ⓔ The shaded area represents the installation area for the connections:
 E = Electrical connection, G = Gas connection

No.	Dimensions	Description
①	13" (330 mm)	Maximum depth of upper cabinet
②	18" (457 mm)	Minimum safety distance to bottom edge of upper cabinet
③	35 1/2"–37" (901–940 mm)	Distance from the floor to cooktop surface
④	10" (254 mm)	Minimum safety distance to combustible surfaces.

All Gas Range dimensions

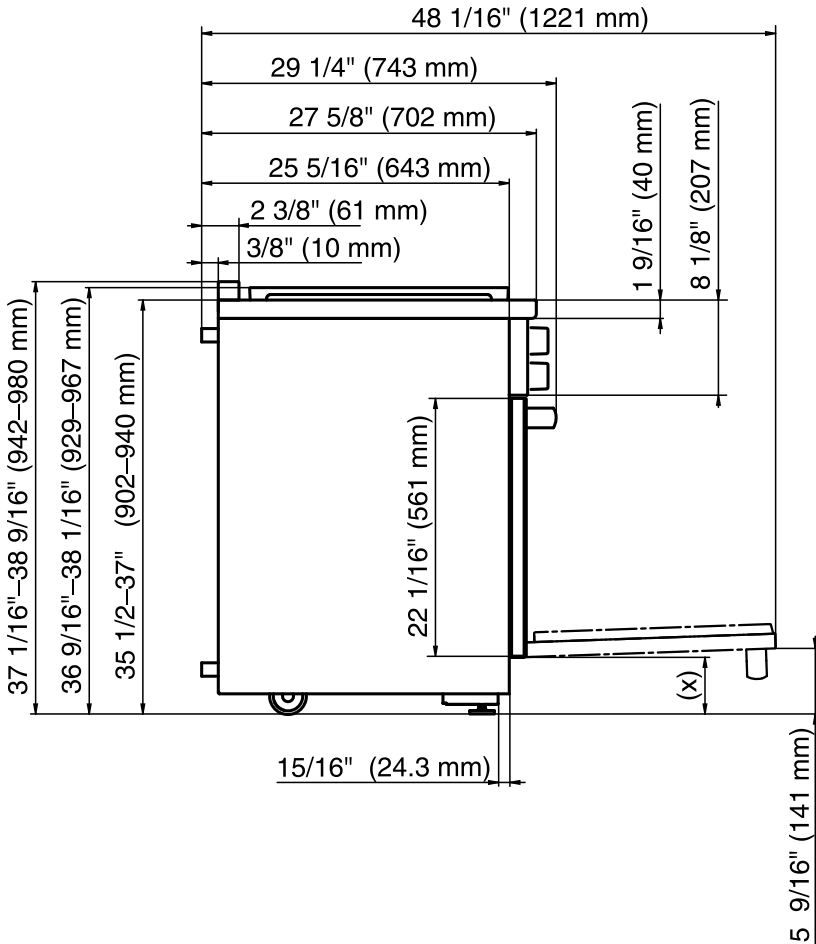
No.	Dimensions	Description	
Ⓐ	min. 30" (762 mm)	Niche width Please contact Miele Customer Service for more information.	
Ⓑ	37" (940 mm)	Minimum safety distance between the top of the cooktop surface and the bottom of an unprotected combustible surface.	
	30" (762 mm)	Minimum safety distance between the top of the cooktop surface and the bottom of the Miele Ventilation Hood (DAR model with DRxB XL or DRxB XXL blower).	
	Refer to the installation instructions for the Miele Ventilation Hood, "Appliance dimensions" (Distance between cooktop and ventilation hood (S)). For all other ventilation hoods please consult the manufacturer's specifications for required distances.		
Ⓒ	approx. 10 1/16" (256 mm)	Maximum connection width right and left	Position of the wall socket
Ⓓ	approx. 4 1/2" (115 mm)	Maximum connection height	
Ⓔ	approx. 2 13/16" (72 mm)	Maximum connection depth	

Please observe a minimum safety distance of at least 12" (305 mm) from combustible surfaces located behind the appliance. For zero clearance installation the Miele Backguards will satisfy the required minimum safety distance to combustible surfaces. The Miele Backguard is available in 12" (305 mm) or 20" (508 mm) heights.

All Gas Range dimensions

Detailed views of HR 1124-3 AG

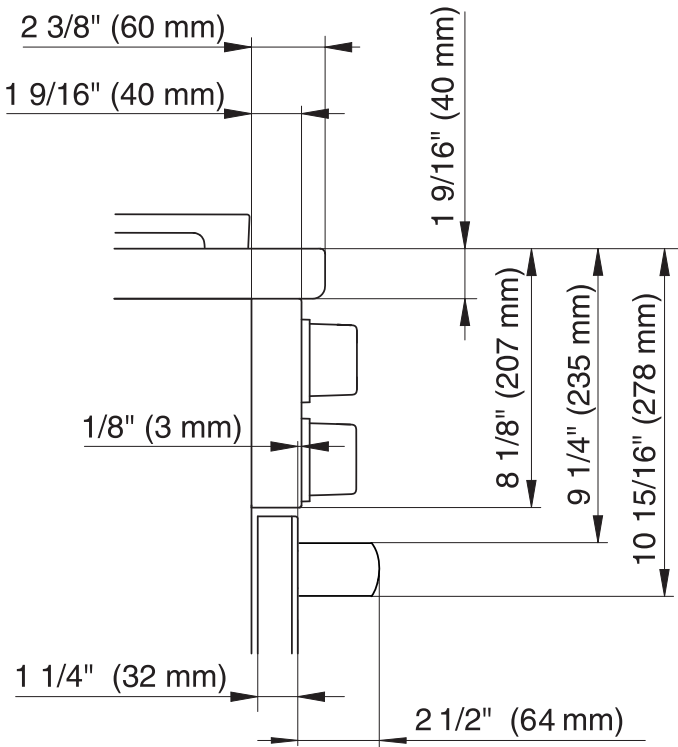
Side view of HR 1124-3 AG



(x) = Depending on the appliance height adjustment: $5''$ – $6 \frac{1}{2}''$ (127 mm–165.1 mm)

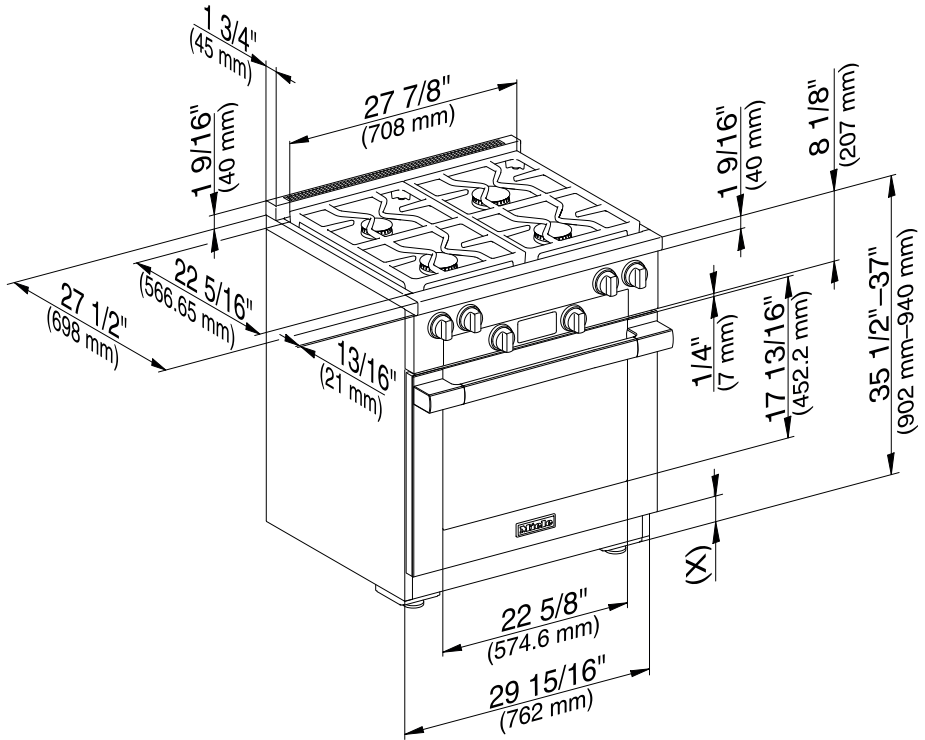
All Gas Range dimensions

Detailed front side view of HR 1124-3 AG



All Gas Range dimensions

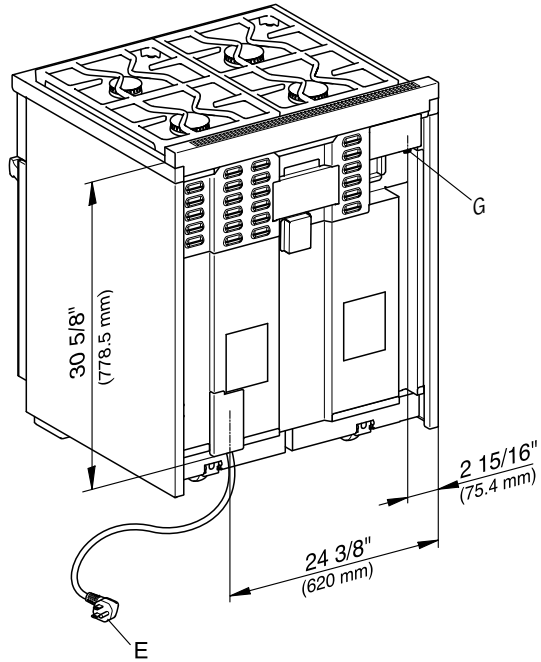
Front view of HR 1124-3 AG



(x) = Depending on the appliance height adjustment: 5" - 6 $\frac{1}{2}$ " (127 mm - 165.1 mm)

All Gas Range dimensions

Rear view of HR 1124-3 AG

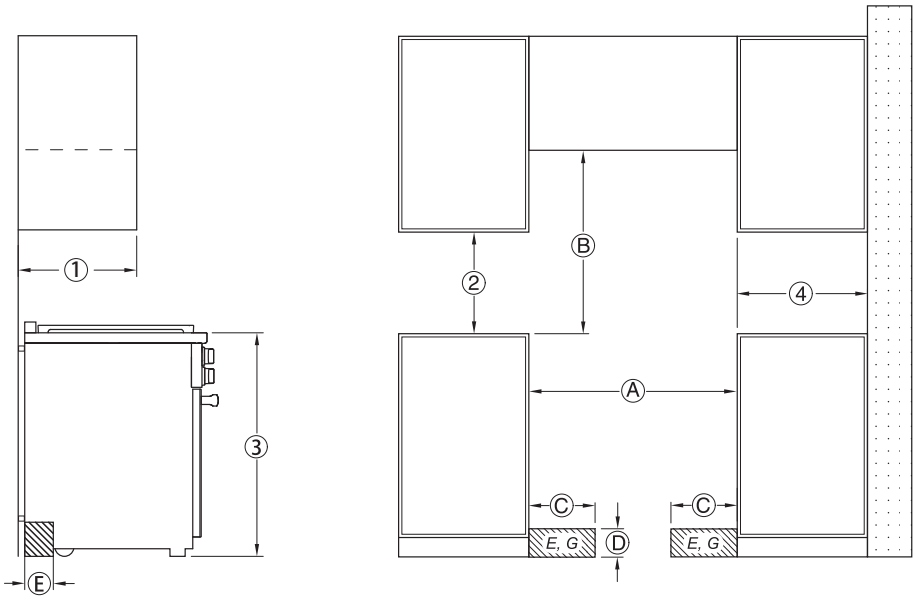


E = Electrical connection

G = Gas connection

All Gas Range dimensions

HR 1134-3 AG, HR 1135-3 AG, HR 1136-3 AG



Ⓒ, Ⓓ, Ⓔ The shaded area represents the installation area for the connections:
 E = Electrical connection, G = Gas connection

No.	Dimensions	Description
①	13" (330 mm)	Maximum depth of upper cabinet
②	18" (457 mm)	Minimum safety distance to bottom edge of upper cabinet
③	35 1/2"–37" (901–940 mm)	Distance from the floor to cooktop surface
④	10" (254 mm)	Minimum safety distance to combustible surfaces.

All Gas Range dimensions

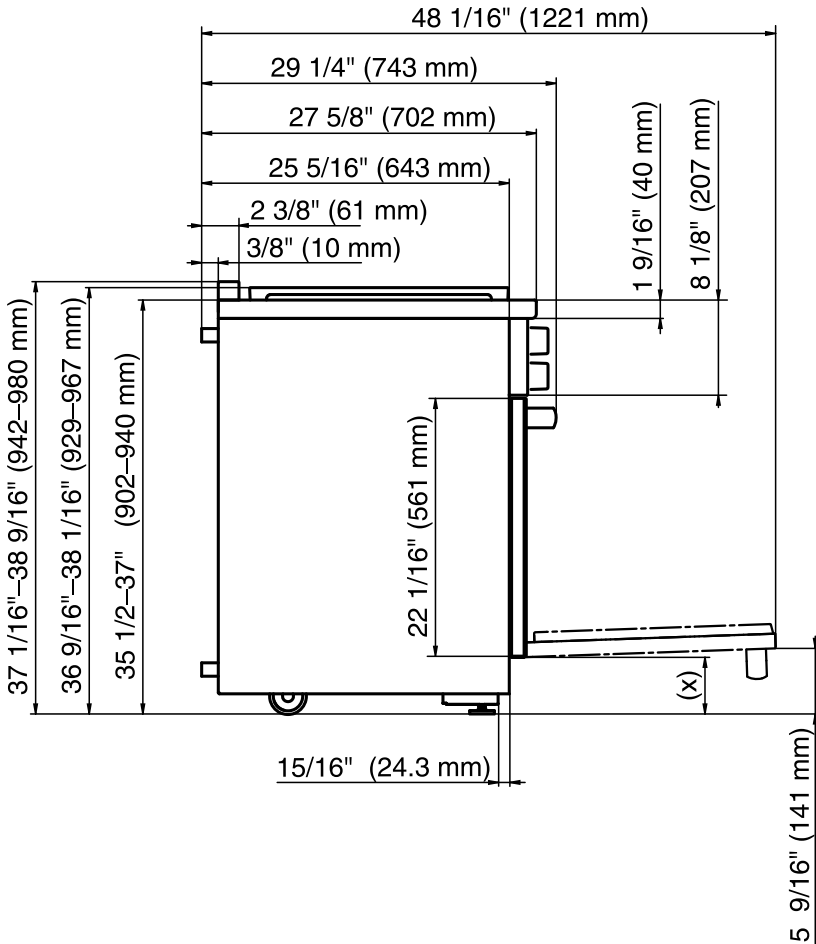
No.	Dimensions	Description	
Ⓐ	min. 36" (915 mm)	Niche width Please contact Miele Customer Service for more information.	
Ⓑ	37" (940 mm)	Minimum safety distance between the top of the cooktop surface and the bottom of an unprotected combustible surface.	
	30" (762 mm)	Minimum safety distance between the top of the cooktop surface and the bottom of the Miele Ventilation Hood (DAR model with DRxB XL or DRxB XXL blower).	
	Refer to the installation instructions for the Miele Ventilation Hood, "Appliance dimensions" (Distance between cooktop and ventilation hood (S)). For all other ventilation hoods please consult the manufacturer's specifications for required distances.		
Ⓒ	approx. 13 1/16" (332.5 mm)	Maximum connection width right and left	Position of the wall socket
Ⓓ	approx. 4 1/2" (115 mm)	Maximum connection height	
Ⓔ	approx. 2 13/16" (72 mm)	Maximum connection depth	

Please observe a minimum safety distance of at least 12" (305 mm) from combustible surfaces located behind the appliance. For zero clearance installation the Miele Backguards will satisfy the required minimum safety distance to combustible surfaces. The Miele Backguard is available in 12" (305 mm) or 20" (508 mm) heights.

All Gas Range dimensions

Detailed views of HR 1134-3 AG

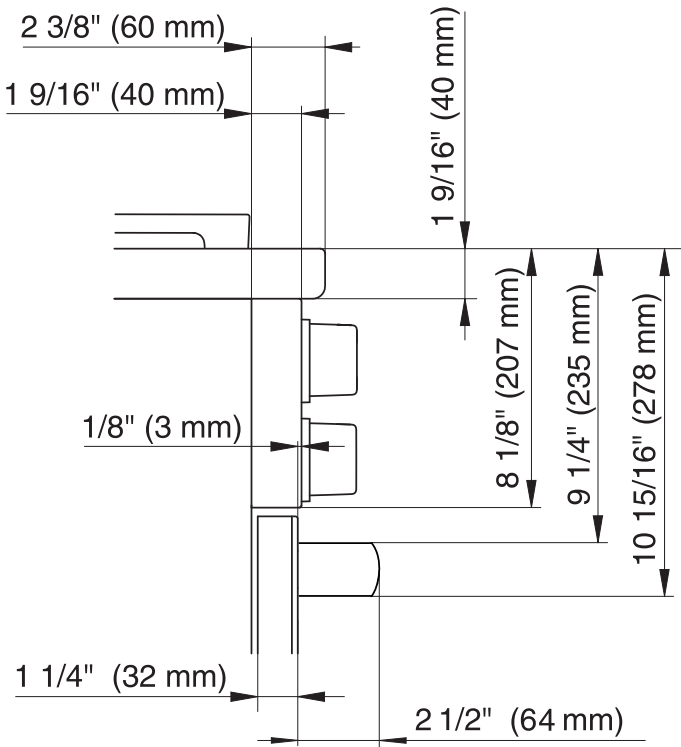
Side view of HR 1134-3 AG



(x) = Depending on the appliance height adjustment: $5''$ – $6 \frac{1}{2}''$ (127 mm–165.1 mm)

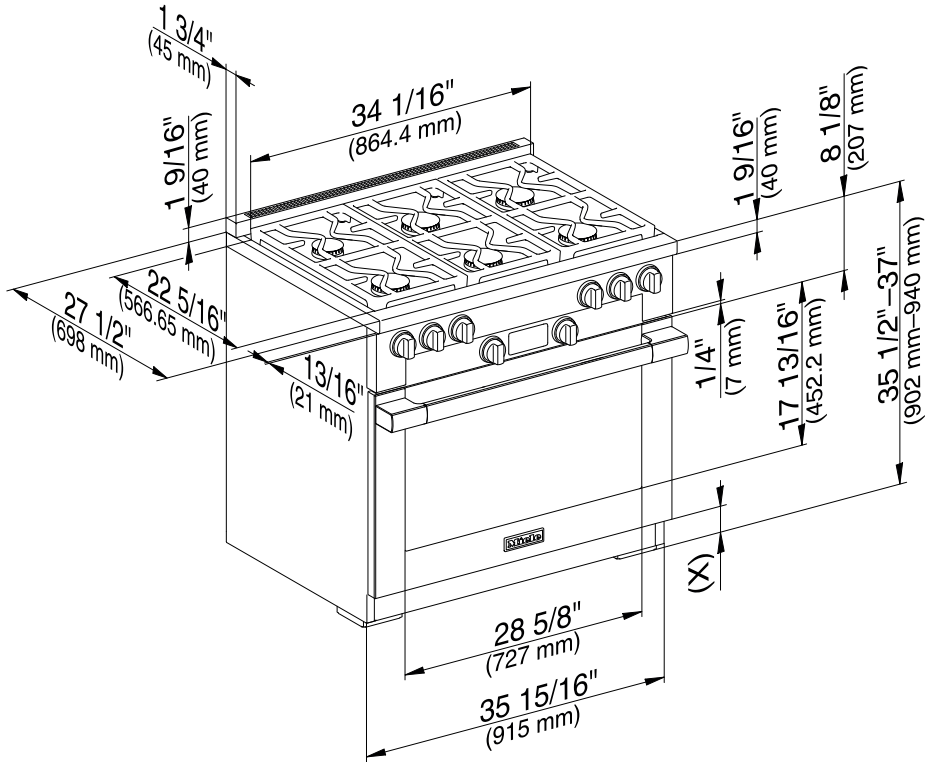
All Gas Range dimensions

Detailed front side view of HR 1134-3 AG



All Gas Range dimensions

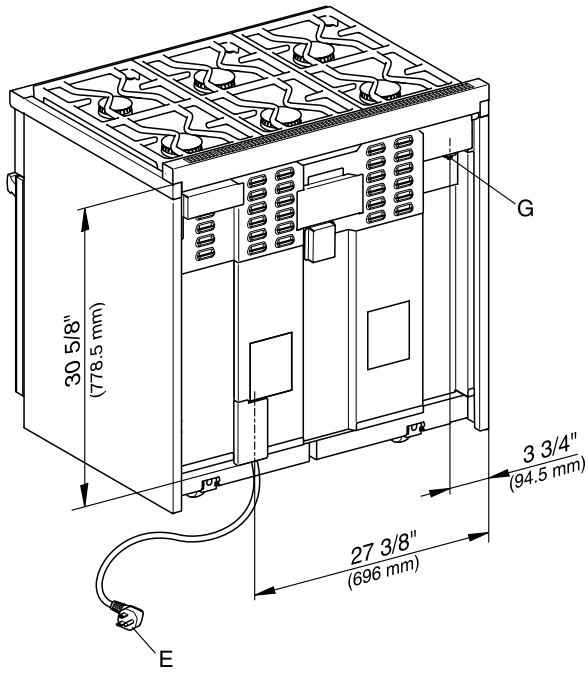
Front view of HR 1134-3 AG



(x) = Depending on the appliance height adjustment: 5" - 6 1/2" (127 mm - 165.1 mm)

All Gas Range dimensions

Rear view of HR 1134-3 AG



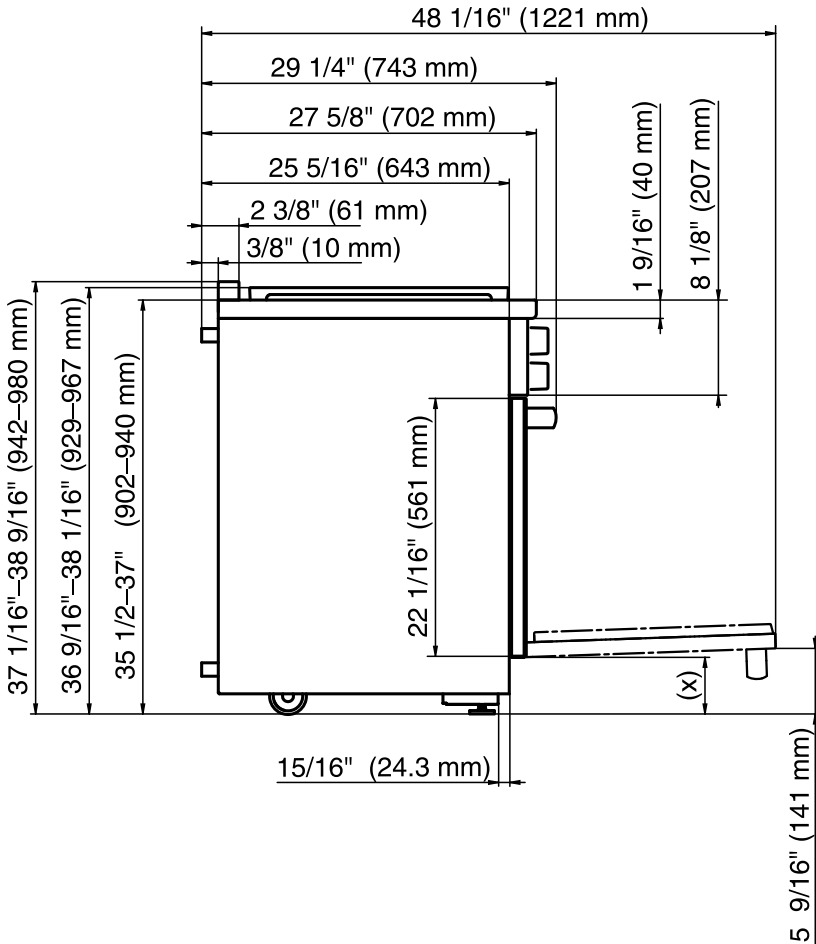
E = Electrical connection

G = Gas connection

All Gas Range dimensions

Detailed views of HR 1135-3 AG

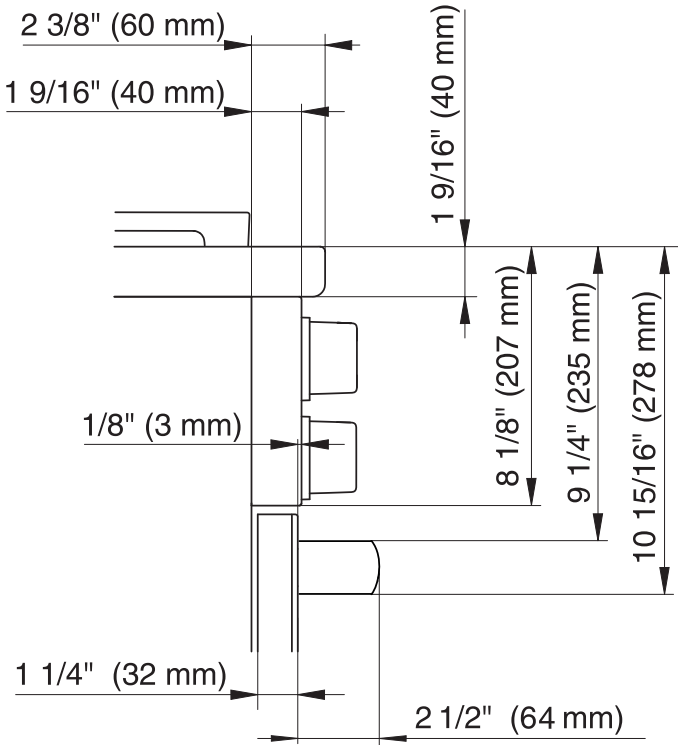
Side view of HR 1135-3 AG



(x) = Depending on the appliance height adjustment: $5''$ – $6 \frac{1}{2}''$ (127 mm–165.1 mm)

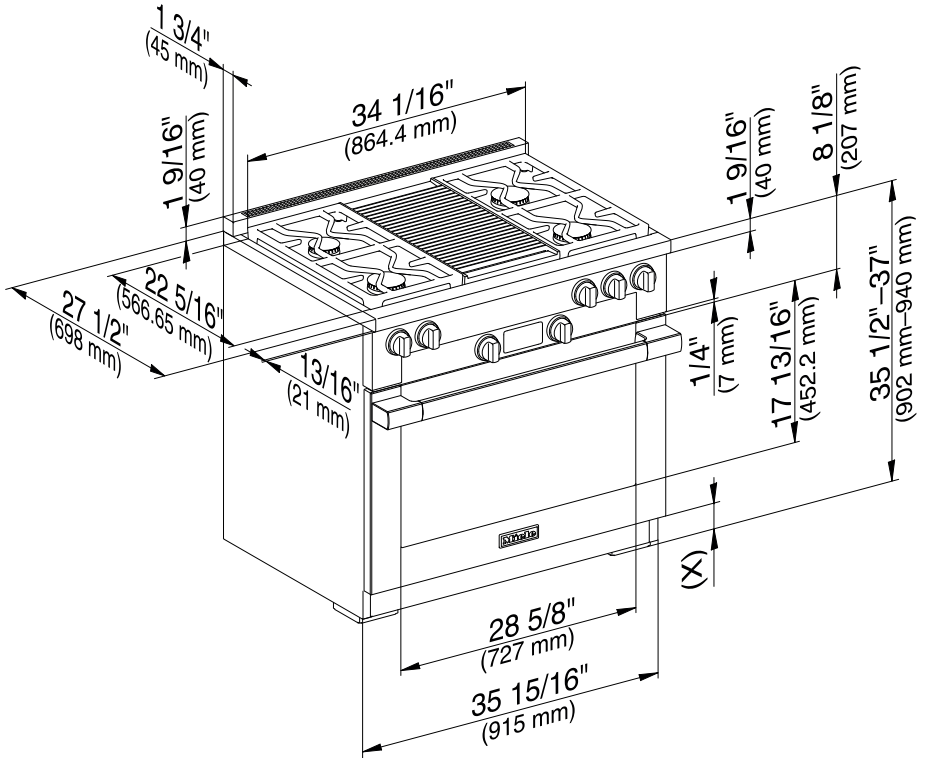
All Gas Range dimensions

Detailed front side view of HR 1135-3 AG



All Gas Range dimensions

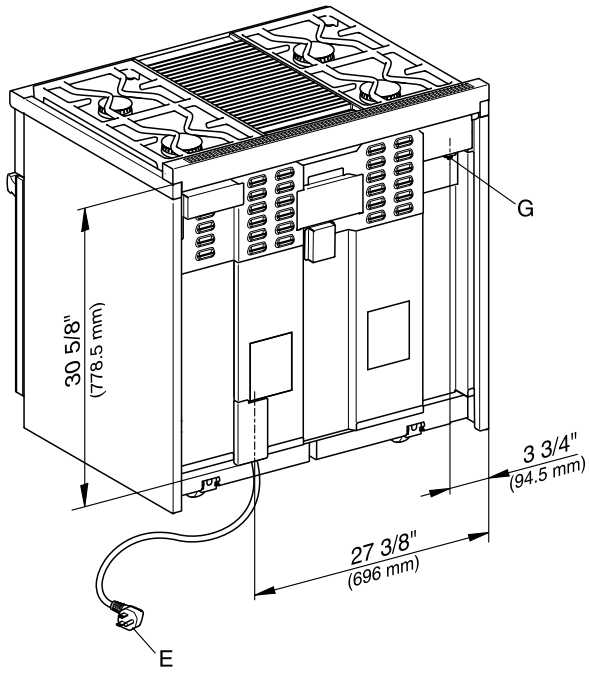
Front view of HR 1135-3 AG



(x) = Depending on the appliance height adjustment: 5" - 6 $\frac{1}{2}$ " (127 mm - 165.1 mm)

All Gas Range dimensions

Rear view of HR 1135-3 AG



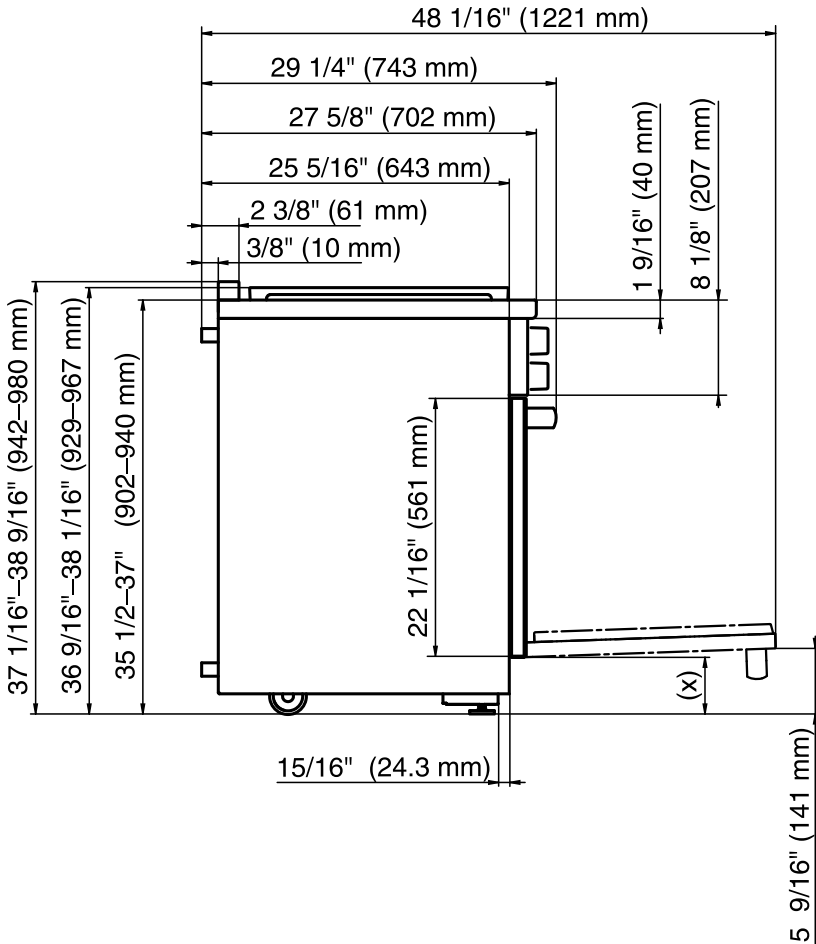
E = Electrical connection

G = Gas connection

All Gas Range dimensions

Detailed views of HR 1136-3 AG

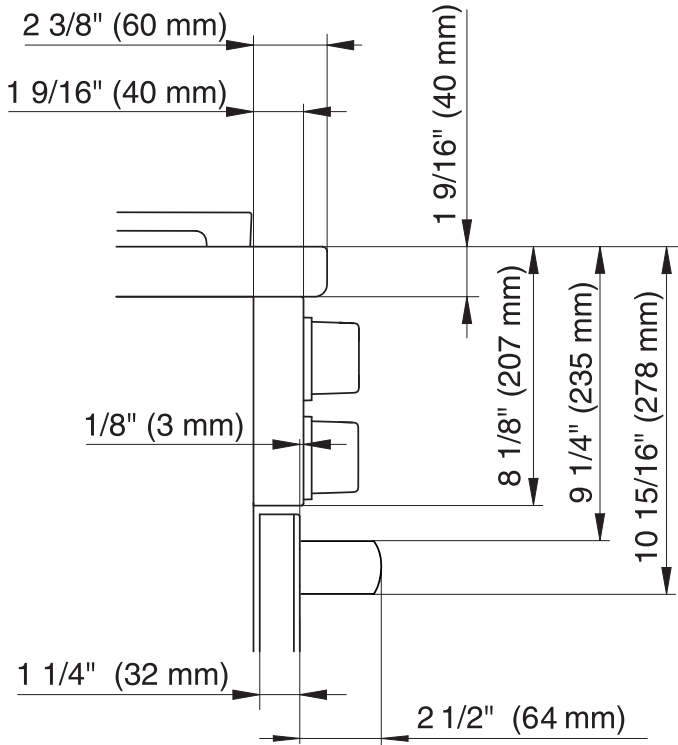
Side view of HR 1136-3 AG



(x) = Depending on the appliance height adjustment: $5''$ – $6 \frac{1}{2}''$ (127 mm–165.1 mm)

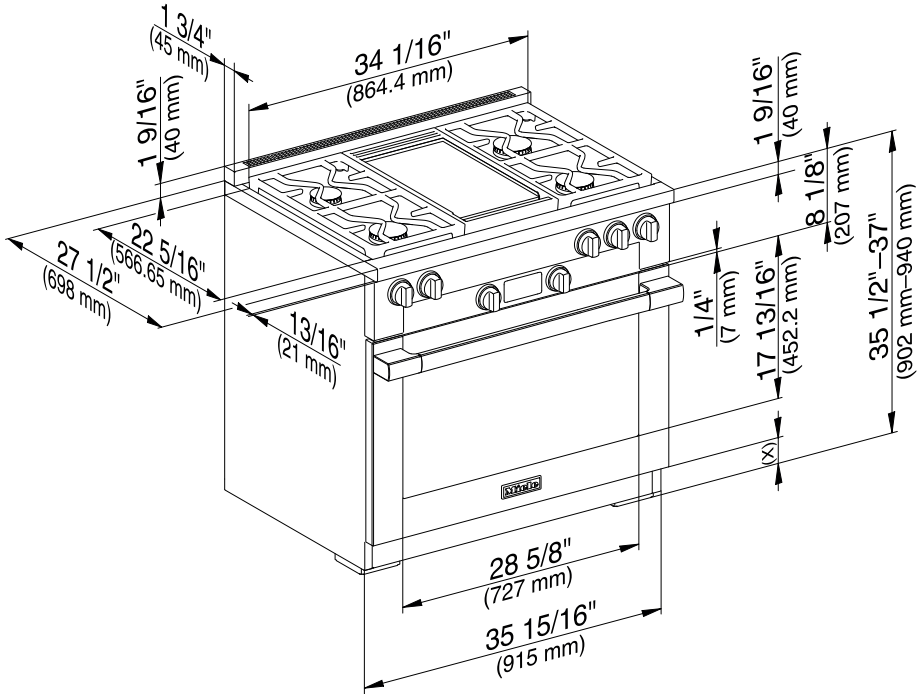
All Gas Range dimensions

Detailed front side view of HR 1136-3 AG



All Gas Range dimensions

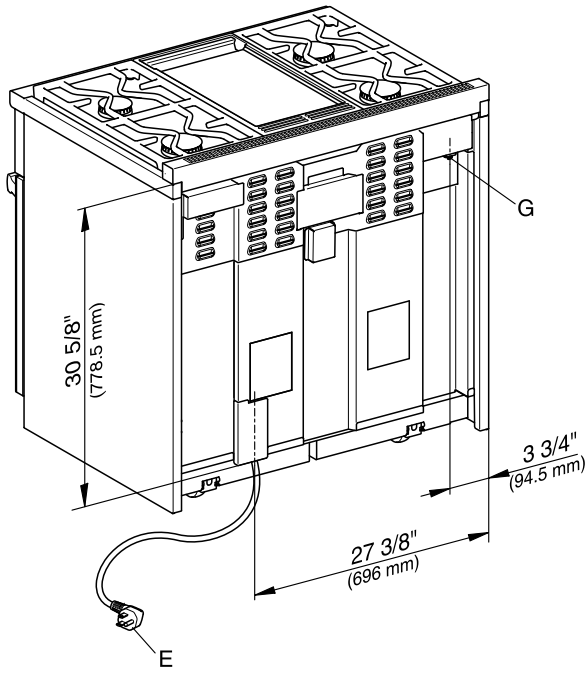
Front view of HR 1136-3 AG



(x) = Depending on the appliance height adjustment: 5"-6 $\frac{1}{2}$ " (127 mm-165.1 mm)

All Gas Range dimensions

Rear view of HR 1136-3 AG

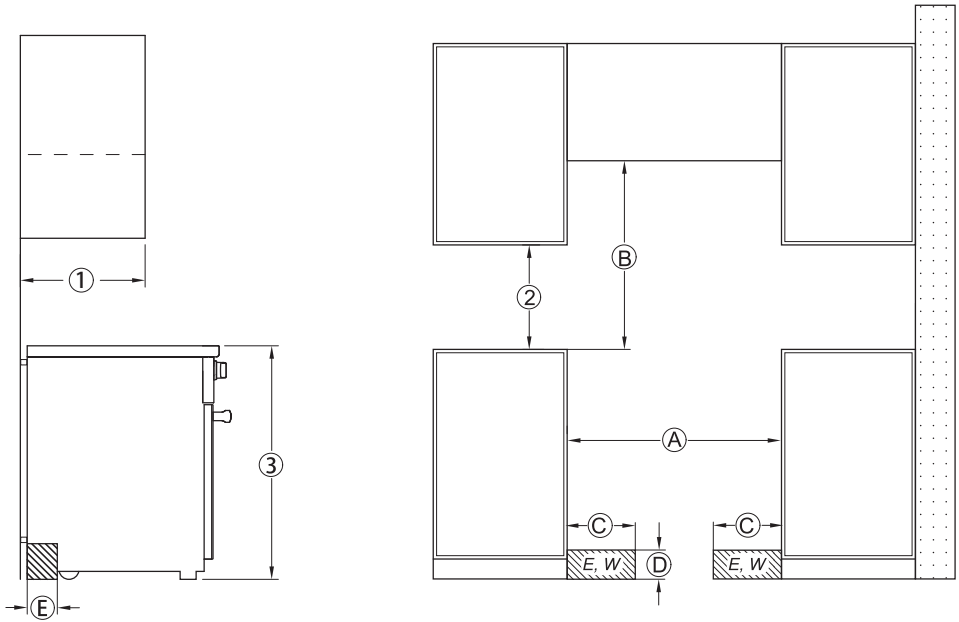


E = Electrical connection

G = Gas connection

All Electric Range dimensions

HR 1421-3 E*, HR 1422-3 i, HR 1622-3 i



©, ©, © The shaded area represents the installation area for the connections:

E = Electrical connection,

W = Plumbed water connection (HR 1622-3 i only)

* Only available in Canada.

All Electric Range dimensions

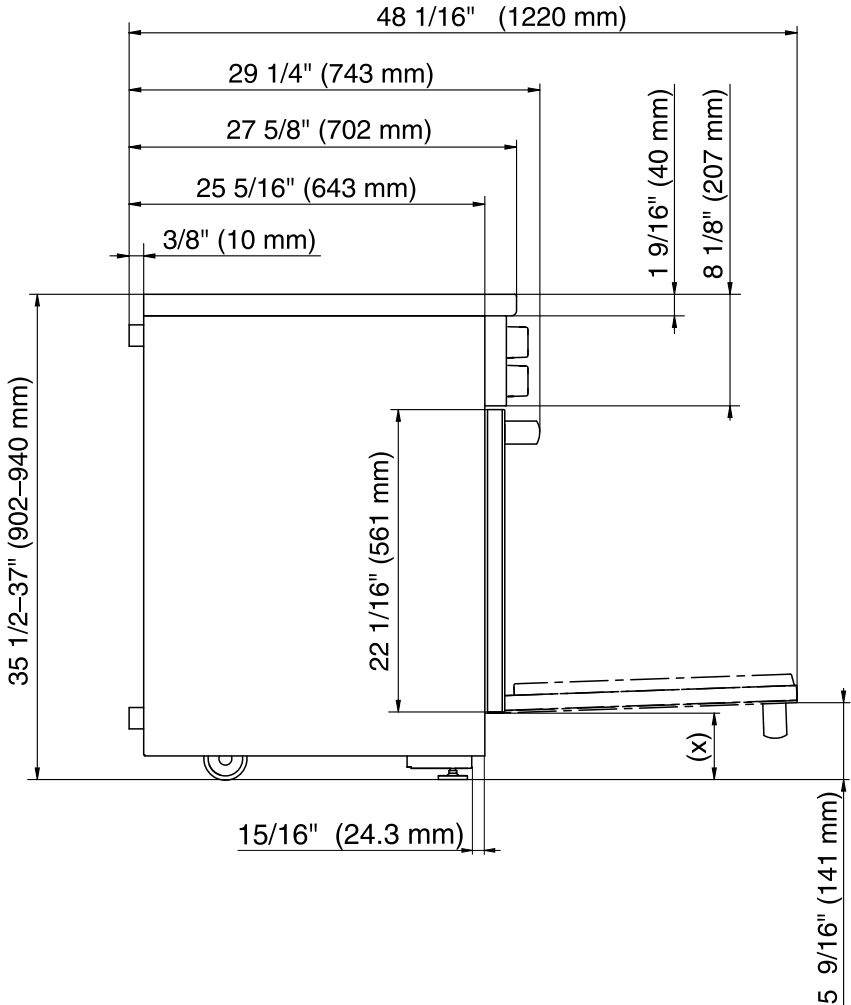
Position	Dimensions	Description	
①	13" (330 mm)	Maximum depth of wall cabinet	
②	18" (547 mm)	Minimum safety distance to bottom edge of upper cabinet	
③	35 1/2"–37" (901–940 mm)	Distance from the floor to cooktop surface	
Ⓐ	min. 30" (762 mm)	Niche width	
Ⓑ	30" (762 mm)	Minimum safety distance between the top of the cooktop surface and the bottom of an unprotected combustible surface.	
	or 24" (609 mm)	Minimum safety distance to a protected combustible surface or when a Miele Ventilation Hood is installed.	
	For all other ventilation hoods please consult the manufacturer's specifications for required distances.		
Ⓒ	approx. 10 1/16" (256 mm)	Maximum connection width right and left	Position of the wall socket
Ⓓ	approx. 4 1/2" (115 mm)	Maximum connection height	
Ⓔ	approx. 2 13/16" (72 mm)	Maximum connection depth	

Please observe a minimum safety distance of at least 12" (305 mm) from combustible surfaces located behind the appliance. For zero clearance installation the Miele Backguards will satisfy the required minimum safety distance to combustible surfaces. The Miele Backguard is available in 12" (305 mm) or 20" (508 mm) heights.

All Electric Range dimensions

Detailed views of HR 1421-3 E

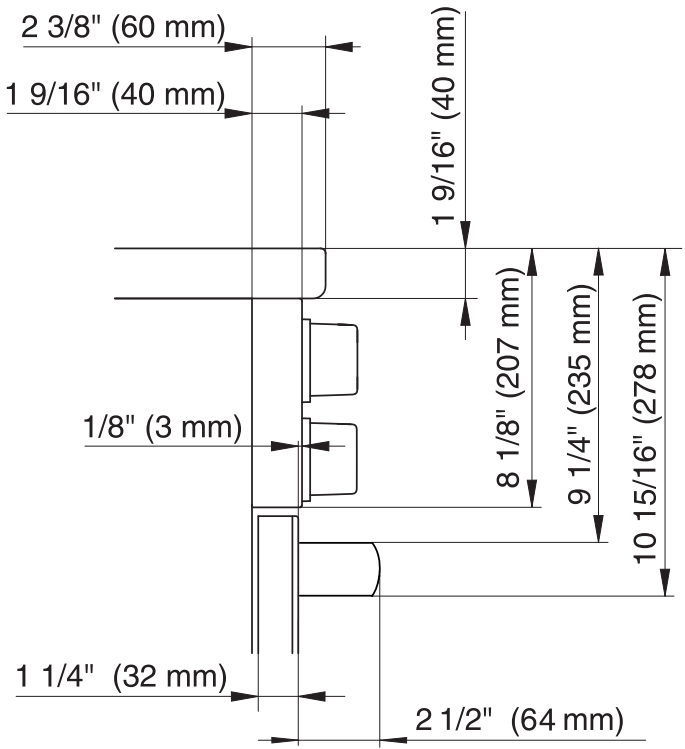
Side view of HR 1421-3 E



(x) = Depending on the appliance height adjustment: $5''-6 \frac{1}{2}''$ (127 mm-165.1 mm)

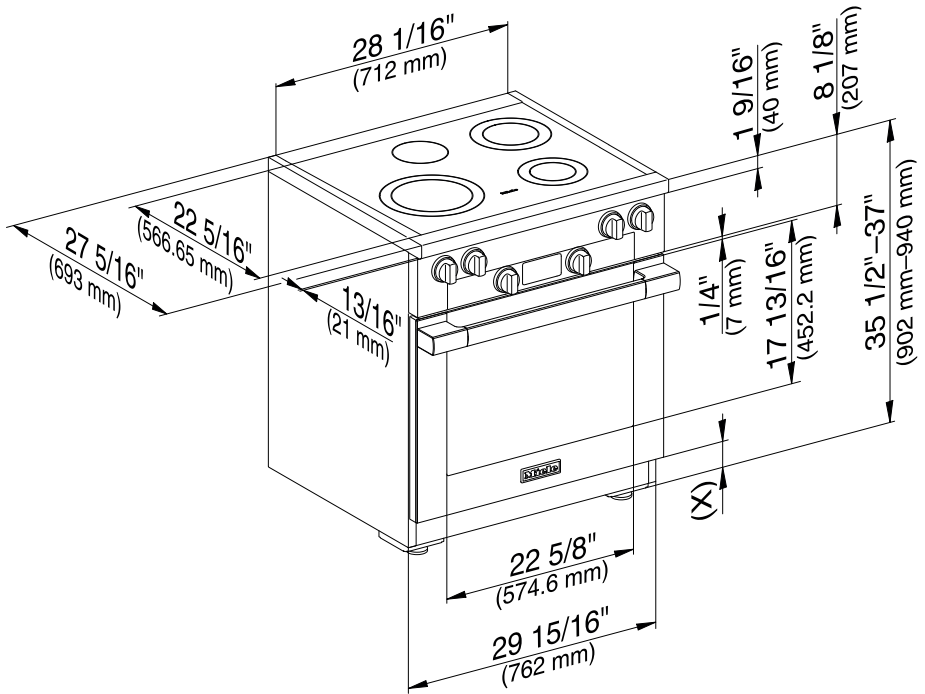
All Electric Range dimensions

Detailed front side view of HR 1421-3 E



All Electric Range dimensions

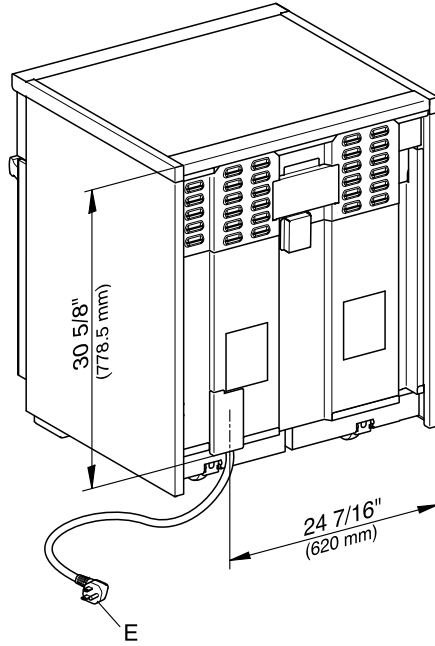
Front view of HR 1421-3 E



(x) = Depending on the appliance height adjustment: 5"–6 1/2" (127 mm–165.1 mm)

All Electric Range dimensions

Rear view of HR 1421-3 E

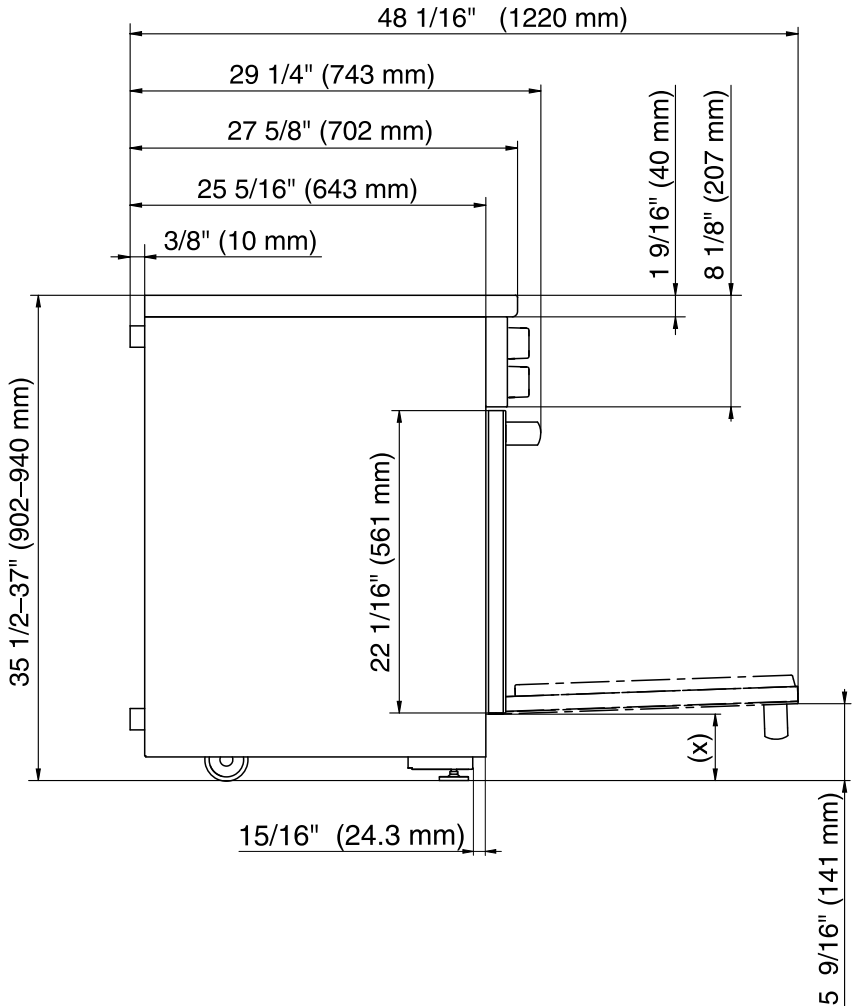


E = Electrical connection

All Electric Range dimensions

Detailed views of HR 1422-3 i

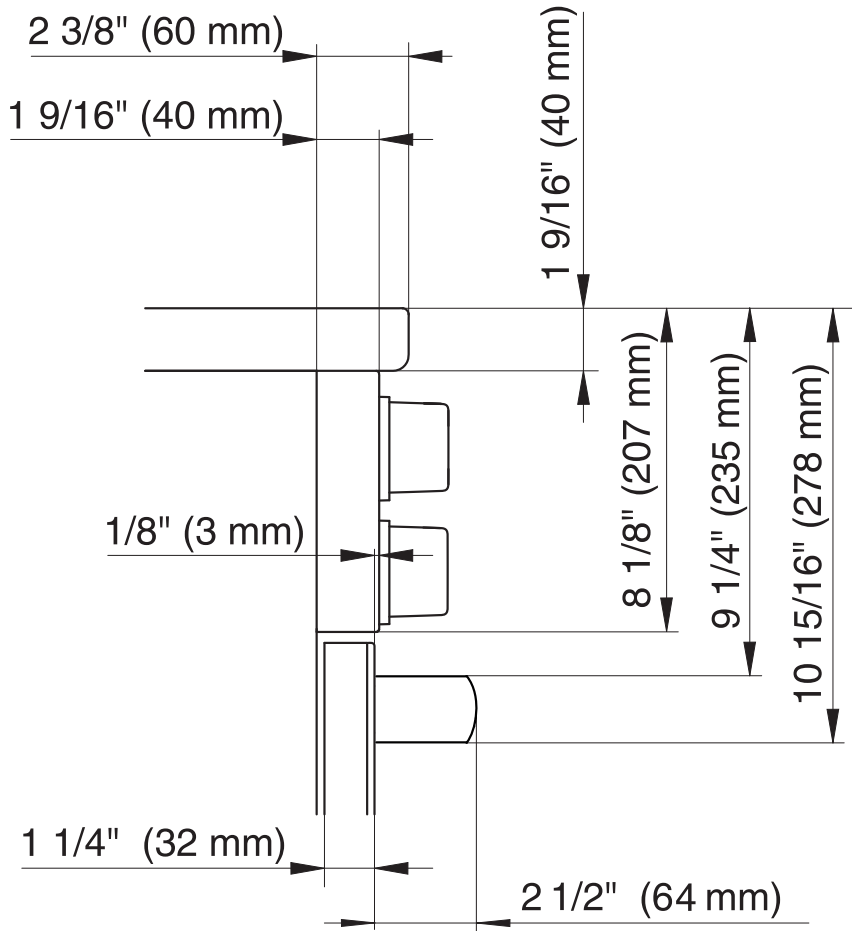
Side view of HR 1422-3 i



(x) = Depending on the appliance height adjustment: $5''-6 \frac{1}{2}''$ (127-165.1 mm)

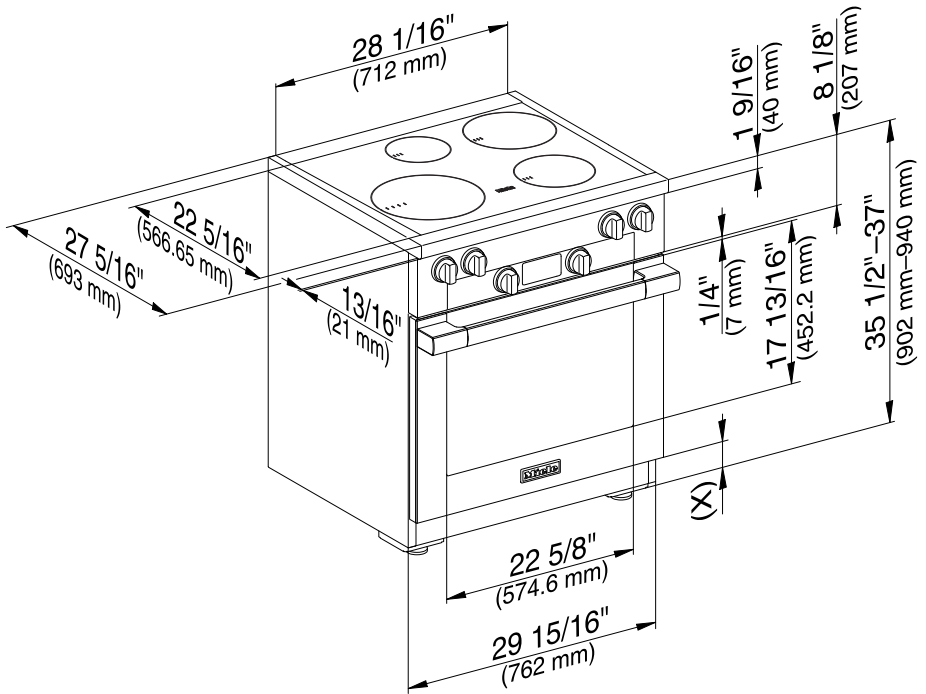
All Electric Range dimensions

Detailed front side view of HR 1422-3 i



All Electric Range dimensions

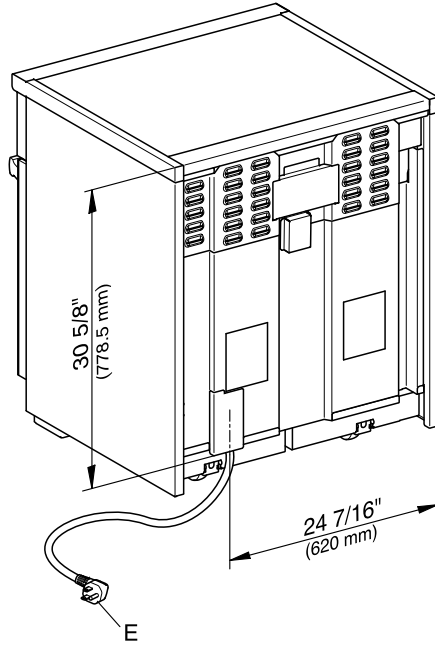
Front view of HR 1422-3 i



(x) = Depending on the appliance height adjustment: 5"–6 1/2" (127–165.1 mm)

All Electric Range dimensions

Rear view of HR 1422-3 i

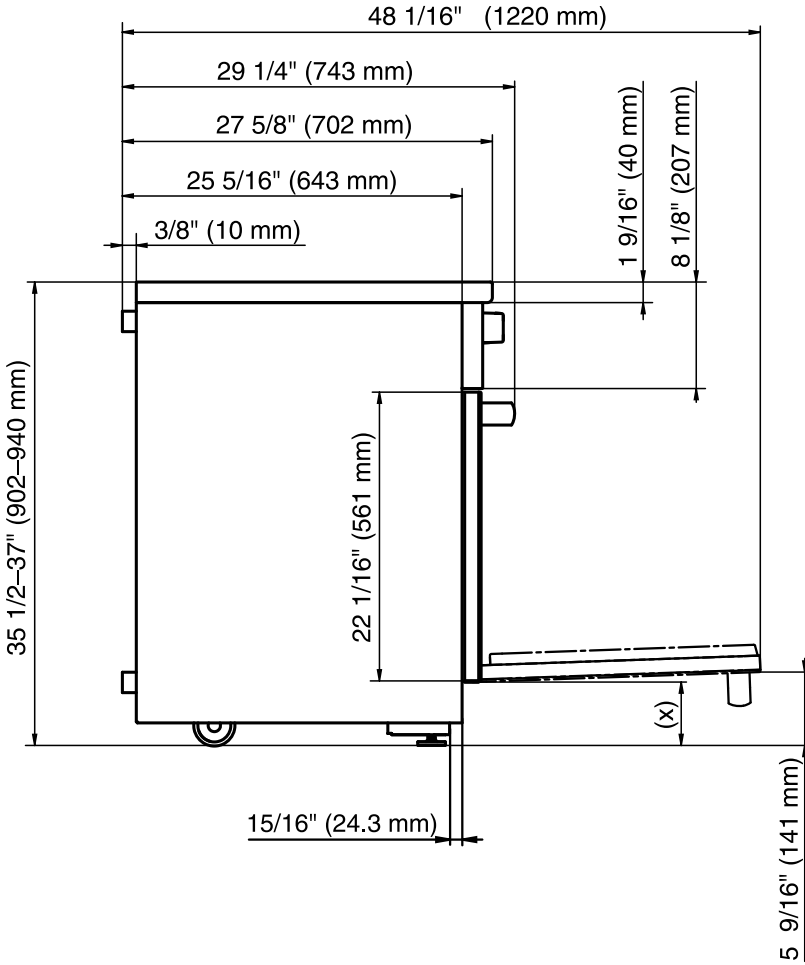


E = Electrical connection

All Electric Range dimensions

Detailed views of HR 1622-3 i

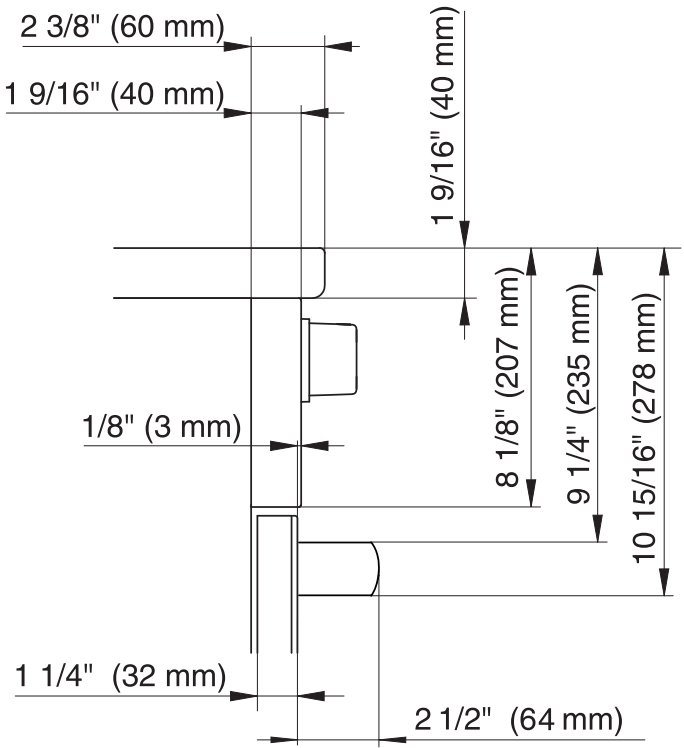
Side view of HR 1622-3 i



(x) = Depending on the appliance height adjustment: $5''-6 \frac{1}{2}''$ (127 mm-165.1 mm)

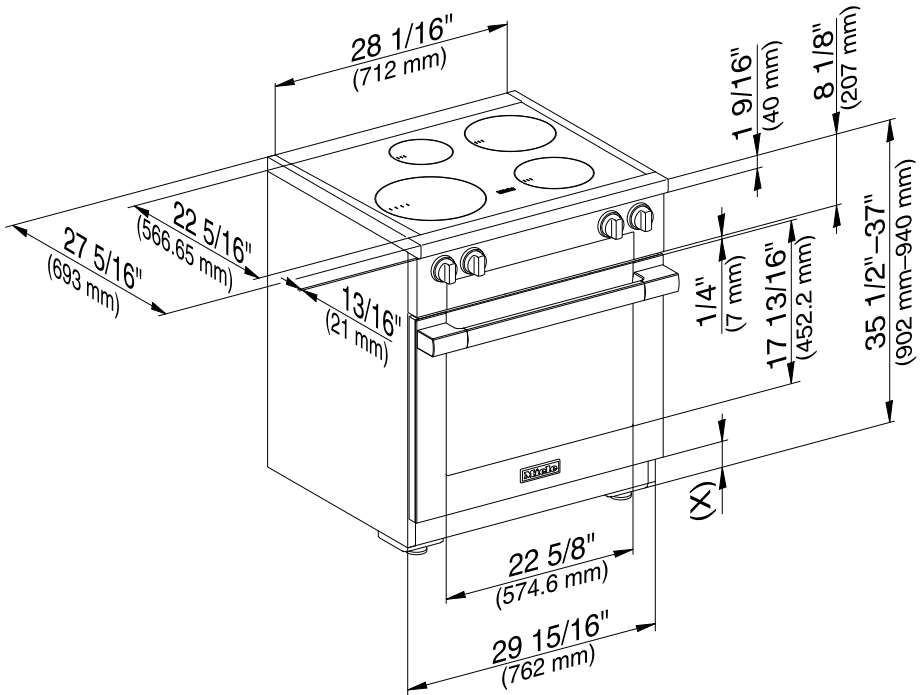
All Electric Range dimensions

Detailed front side view of HR 1622-3 i



All Electric Range dimensions

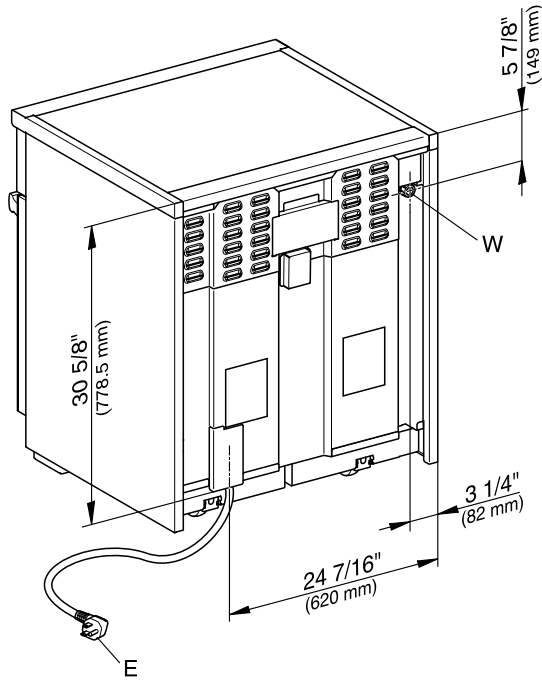
Front view of HR 1622-3 i



(x) = Depending on the appliance height adjustment: 5"–6 1/2" (127 mm–165.1 mm)

All Electric Range dimensions

Rear view of HR 1622-3 i

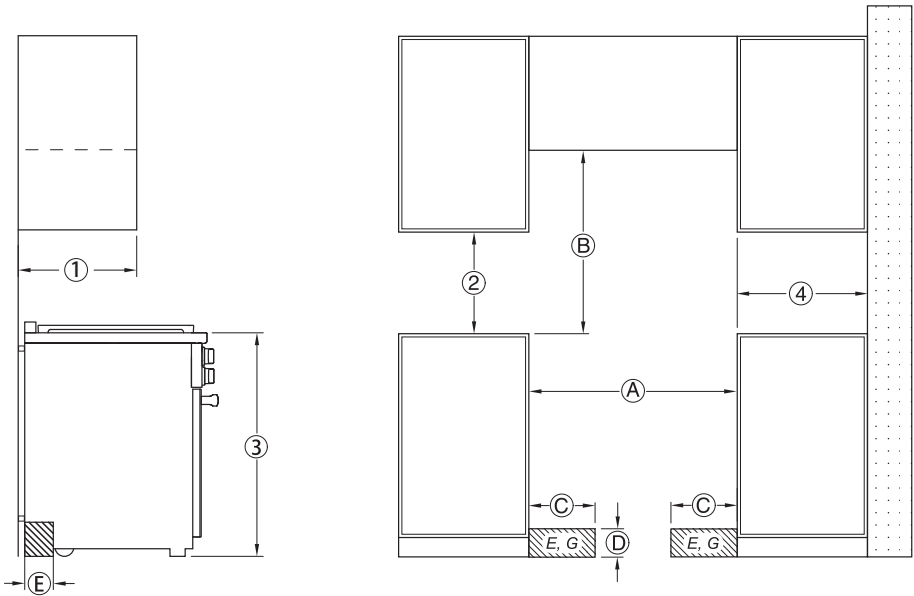


E = Electrical connection

W = Plumbed water connection

Dual Fuel Range dimensions

HR 1724-3 DF



Ⓒ, Ⓓ, Ⓔ The shaded area represents the installation area for the connections:
 E = Electrical connection, G = Gas connection

No.	Dimensions	Description
①	13" (330 mm)	Maximum depth of upper cabinet
②	18" (457 mm)	Minimum safety distance to bottom edge of upper cabinet
③	35 1/2"–37" (901–940 mm)	Distance from the floor to cooktop surface
④	10" (254 mm)	Minimum safety distance to combustible surfaces.

Dual Fuel Range dimensions

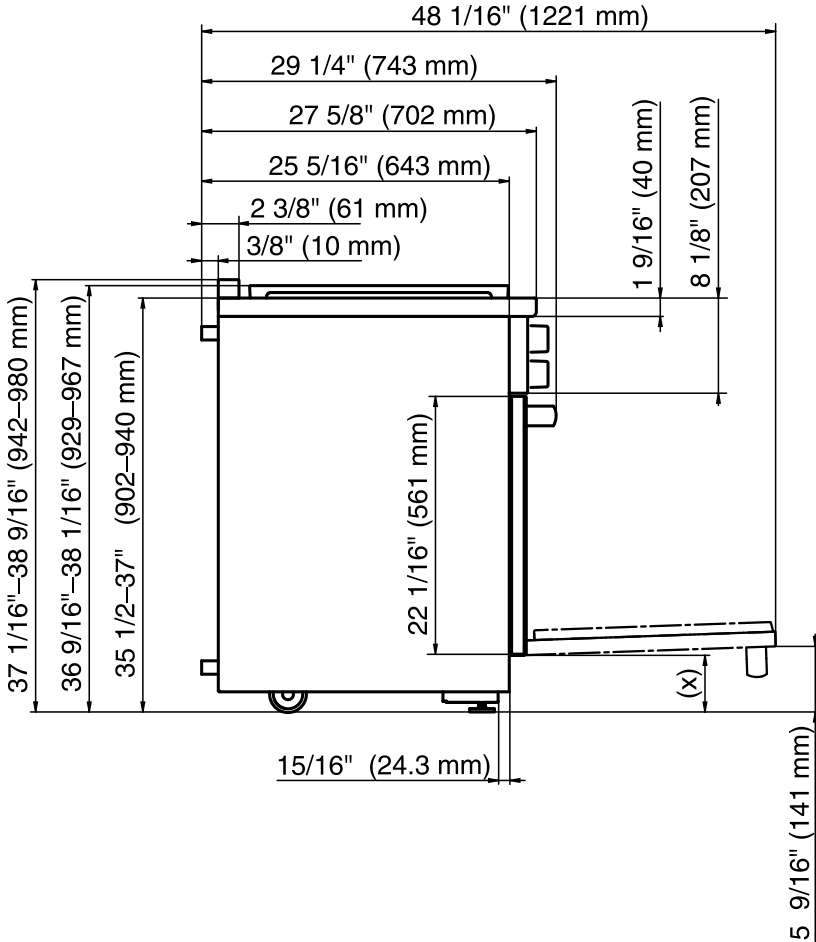
No.	Dimensions	Description	
Ⓐ	min. 30" (762 mm)	Niche width Please contact Miele Customer Service for more information.	
Ⓑ	37" (940 mm)	Minimum safety distance between the top of the cooktop surface and the bottom of an unprotected combustible surface.	
	30" (762 mm)	Minimum safety distance between the top of the cooktop surface and the bottom of the Miele Ventilation Hood (DAR model with DRxB XL or DRxB XXL blower).	
	Refer to the installation instructions for the Miele Ventilation Hood, "Appliance dimensions" (Distance between cooktop and ventilation hood (S)). For all other ventilation hoods please consult the manufacturer's specifications for required distances.		
Ⓒ	approx. 10 1/16" (256 mm)	Maximum connection width right and left	Position of the wall socket
Ⓓ	approx. 4 1/2" (115 mm)	Maximum connection height	
Ⓔ	approx. 2 13/16" (72 mm)	Maximum connection depth	

Please observe a minimum safety distance of at least 12" (305 mm) from combustible surfaces located behind the appliance. For zero clearance installation the Miele Backguards will satisfy the required minimum safety distance to combustible surfaces. The Miele Backguard is available in 12" (305 mm) or 20" (508 mm) heights.

Dual Fuel Range dimensions

Detailed views of HR 1724-3 DF

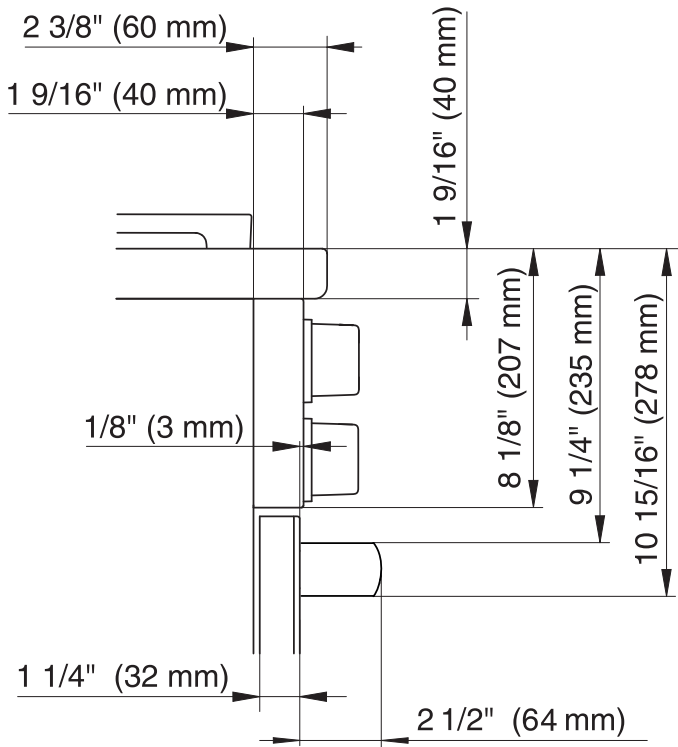
Side view of HR 1724-3 DF



(x) = Depending on the appliance height adjustment: $5''$ – $6 \frac{1}{2}''$ (127 mm–165.1 mm)

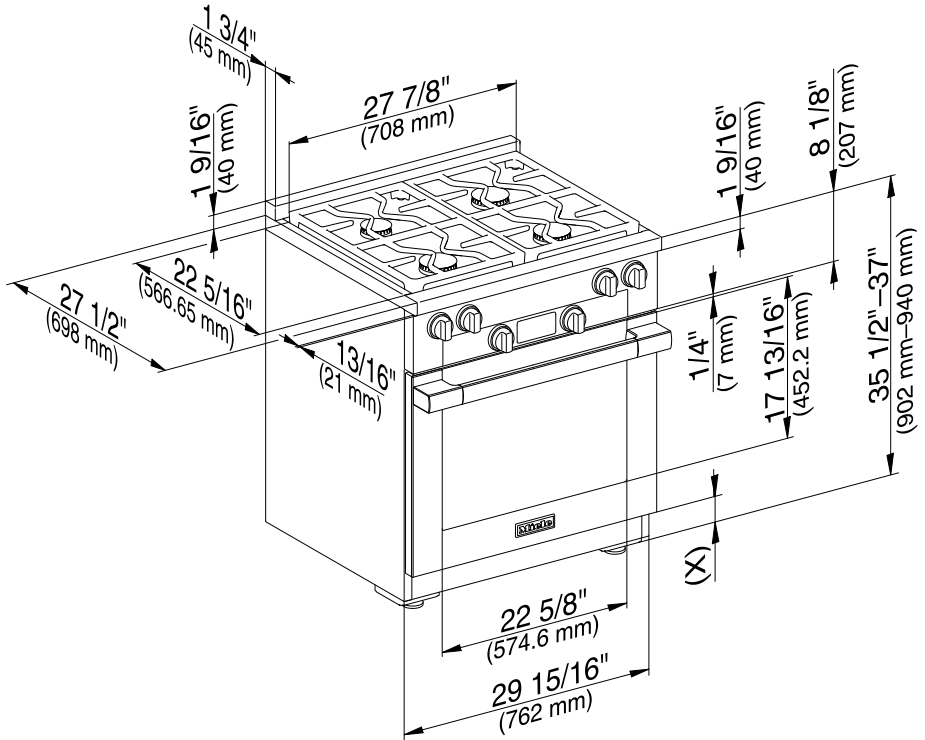
Dual Fuel Range dimensions

Detailed front side view of HR 1724-3 DF



Dual Fuel Range dimensions

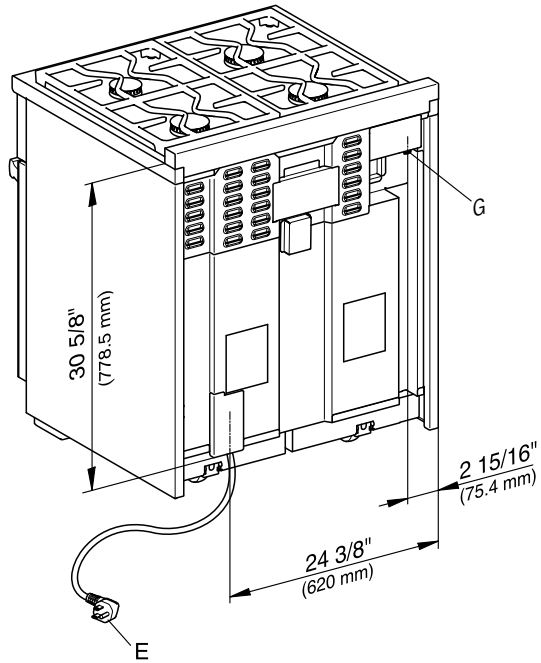
Front view of HR 1724-3 DF



(x) = Depending on the appliance height adjustment: 5"-6 1/2" (127 mm-165.1 mm)

Dual Fuel Range dimensions

Rear view of HR 1724-3 DF

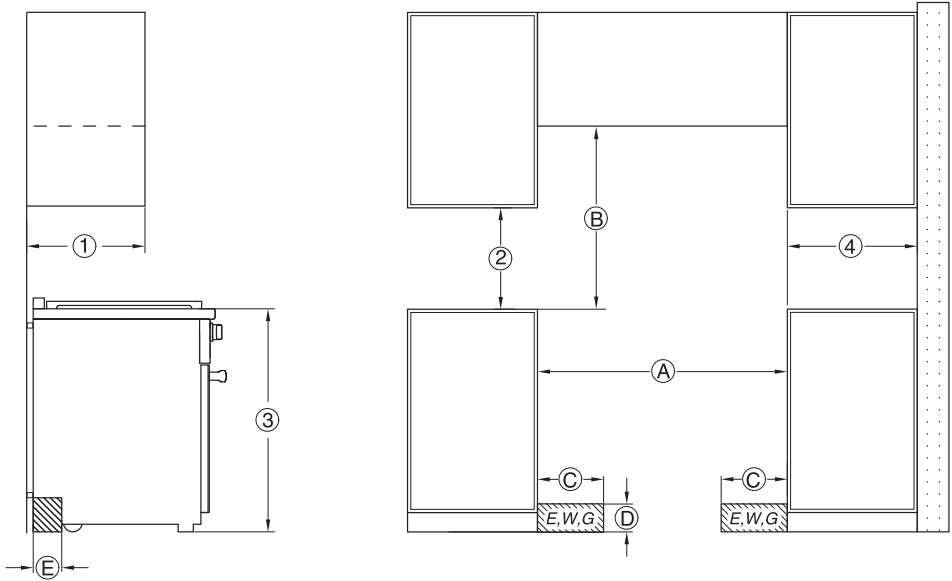


E = Electrical connection

G = Gas connection

Dual Fuel Range dimensions

HR 1924-3 DF



Ⓒ, Ⓓ, Ⓔ The shaded area represents the installation area for the connections:
 E = Electrical connection, W = Plumbed water connection, G = Gas connection

No.	Dimensions	Description
①	13" (330 mm)	Maximum depth of upper cabinet
②	18" (457 mm)	Minimum safety distance to bottom edge of upper cabinet
③	35 1/2"–37" (901–940 mm)	Distance from the floor to cooktop surface
④	10" (254 mm)	Minimum safety distance to combustible surfaces.

Dual Fuel Range dimensions

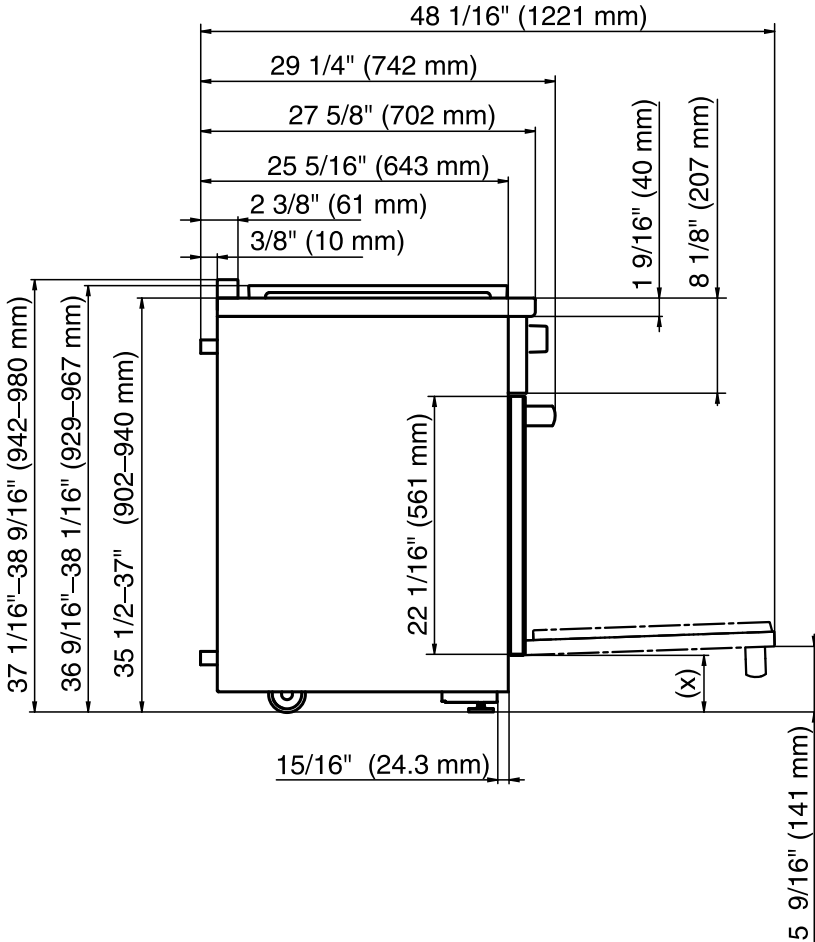
No.	Dimensions	Description	
Ⓐ	min. 30" (762 mm)	Niche width Please contact Miele Customer Service for more information.	
Ⓑ	37" (940 mm)	Minimum safety distance between the top of the cooktop surface and the bottom of an unprotected combustible surface.	
	30" (762 mm)	Minimum safety distance between the top of the cooktop surface and the bottom of the Miele Ventilation Hood (DAR model with DRxB XL or DRxB XXL blower).	
	Refer to the installation instructions for the Miele Ventilation Hood, "Appliance dimensions" (Distance between cooktop and ventilation hood (S)). For all other ventilation hoods please consult the manufacturer's specifications for required distances.		
Ⓒ	approx. 10 1/16" (256 mm)	Maximum connection width right and left	Position of the wall socket
Ⓓ	approx. 4 1/2" (115 mm)	Maximum connection height	
Ⓔ	approx. 2 13/16" (72 mm)	Maximum connection depth	

Please observe a minimum safety distance of at least 12" (305 mm) from combustible surfaces located behind the appliance. For zero clearance installation the Miele Backguards will satisfy the required minimum safety distance to combustible surfaces. The Miele Backguard is available in 12" (305 mm) or 20" (508 mm) heights.

Dual Fuel Range dimensions

Detailed views of HR 1924-3 DF

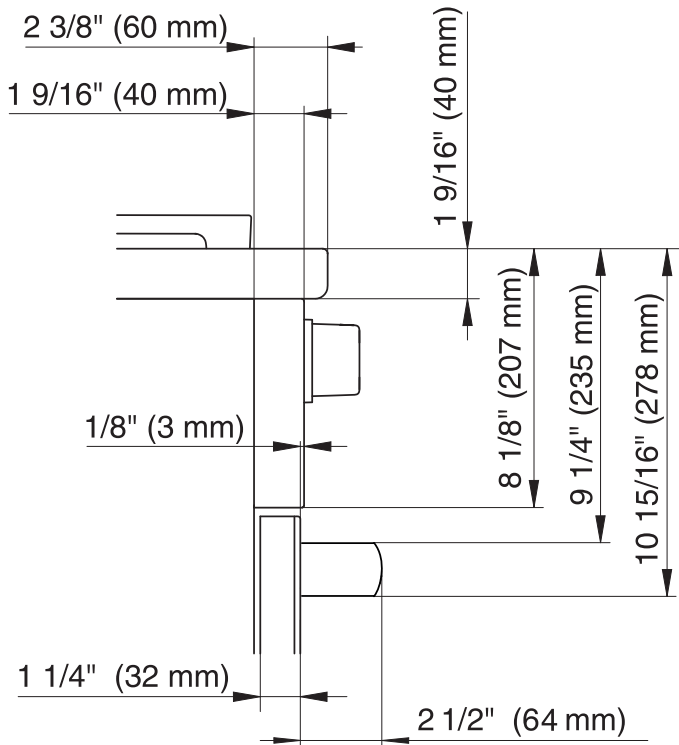
Side view of HR 1924-3 DF



(x) = Depending on the appliance height adjustment: $5''$ – $6 \frac{1}{2}''$ (127 mm–165.1 mm)

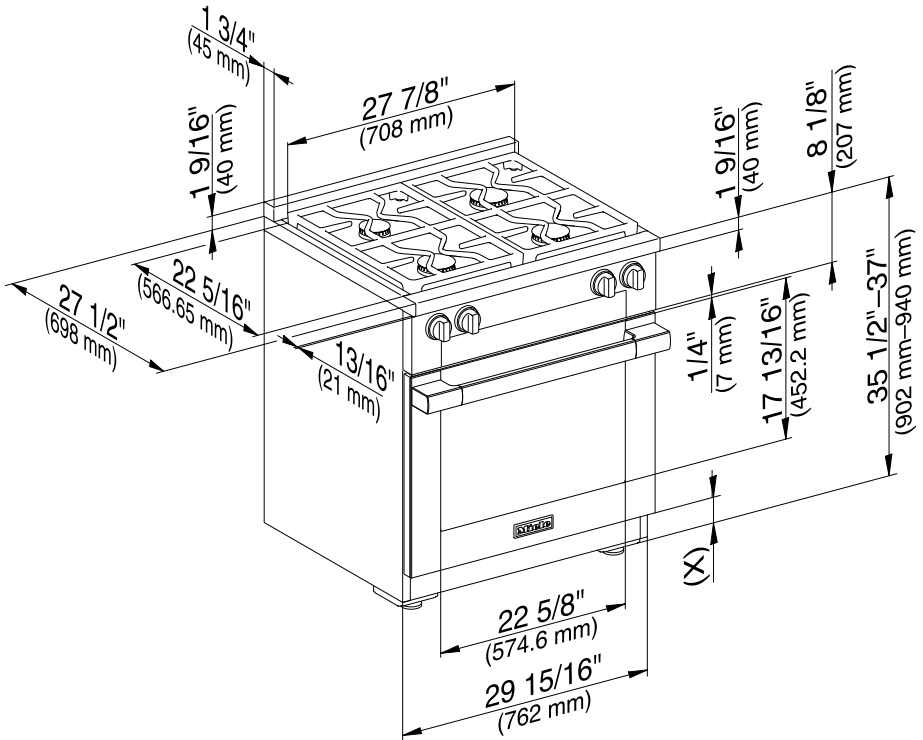
Dual Fuel Range dimensions

Detailed front side view of HR 1924-3 DF



Dual Fuel Range dimensions

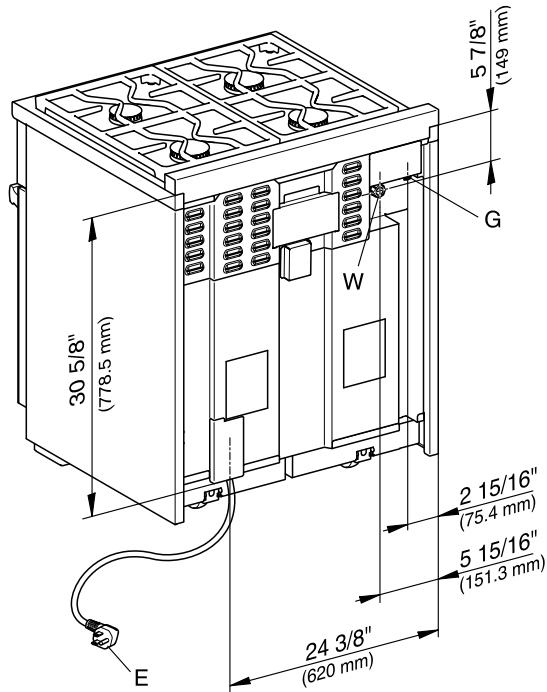
Front view of HR 1924-3 DF



(x) = Depending on the appliance height adjustment: 5"–6 1/2" (127 mm–165.1 mm)

Dual Fuel Range dimensions

Rear view of HR 1924-3 DF



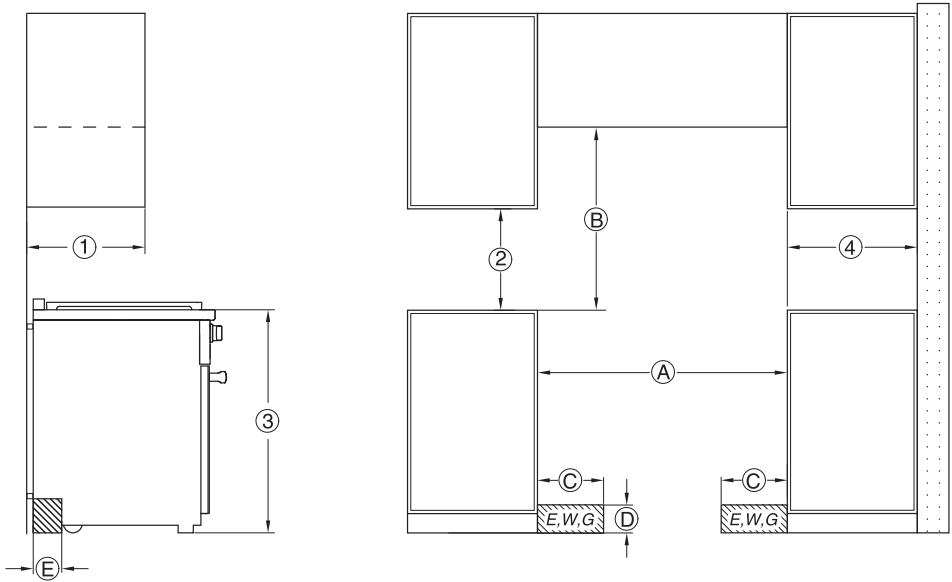
E = Electrical connection

W = Plumbed water connection

G = Gas connection

Dual Fuel Range dimensions

HR 1934-3 DF, HR 1935-3 DF, HR 1936-3 DF



Ⓒ, Ⓓ, Ⓔ The shaded area represents the installation area for the connections:
 E = Electrical connection, W = Plumbed water connection, G = Gas connection

No.	Dimensions	Description
①	13" (330 mm)	Maximum depth of upper cabinet
②	18" (457 mm)	Minimum safety distance to bottom edge of upper cabinet
③	35 1/2"–37" (901–940 mm)	Distance from the floor to cooktop surface
④	10" (254 mm)	Minimum safety distance to combustibile surfaces.

Dual Fuel Range dimensions

HR 1934-3 DF

No.	Dimensions	Description	
Ⓐ	min. 36" (915 mm)	Niche width Please contact Miele Customer Service for more information.	
Ⓑ	37" (940 mm)	Minimum safety distance between the top of the cooktop surface and the bottom of an unprotected combustible surface.	
	36" (915 mm)	Minimum safety distance between the top of the cooktop surface and the bottom of the Miele Ventilation Hood (DAR model with DRxB XL blower).	
	30" (762 mm)	Minimum safety distance between the top of the cooktop surface and the bottom of the Miele Ventilation Hood (DAR model with DRxB XXL blower).	
	Refer to the installation instructions for the Miele Ventilation Hood, "Appliance dimensions" (Distance between cooktop and ventilation hood (S)). For all other ventilation hoods please consult the manufacturer's specifications for required distances.		
Ⓒ	approx. 13 1/16" (332.5 mm)	Maximum connection width right and left	Position of the wall socket
Ⓓ	approx. 4 1/2" (115 mm)	Maximum connection height	
Ⓔ	approx. 2 13/16" (72 mm)	Maximum connection depth	

Please observe a minimum safety distance of at least 12" (305 mm) from combustible surfaces located behind the appliance. For zero clearance installation the Miele Backguards will satisfy the required minimum safety distance to combustible surfaces. The Miele Backguard is available in 12" (305 mm) or 20" (508 mm) heights.

Dual Fuel Range dimensions

HR 1935-3 DF, HR 1936-3 DF

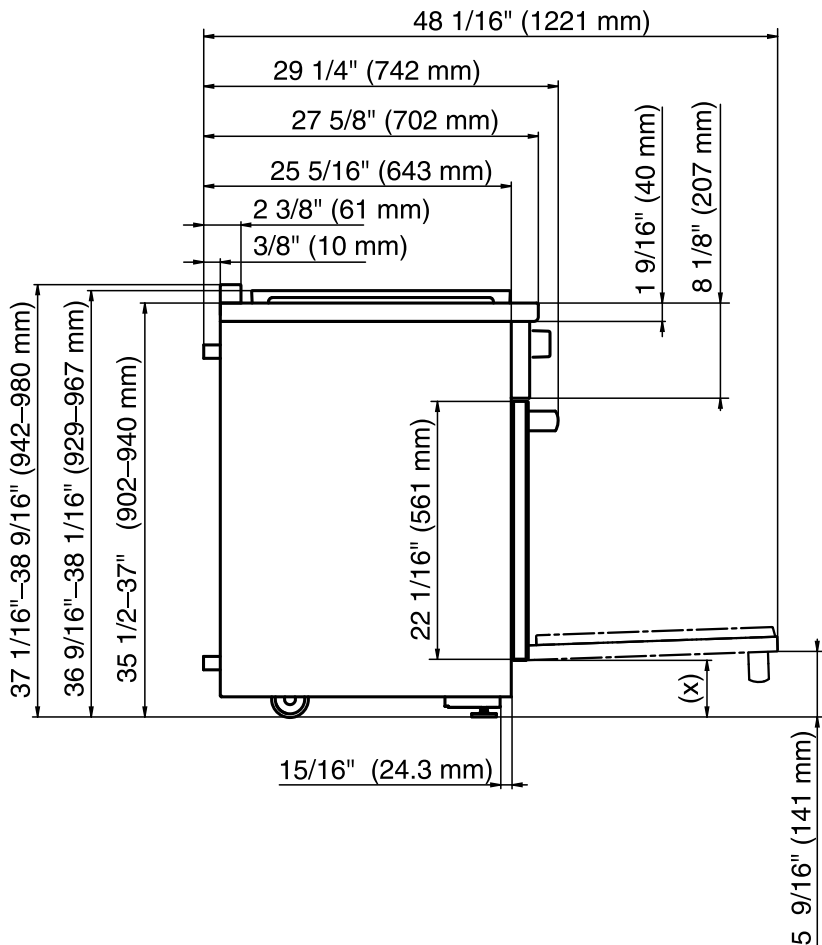
No.	Dimensions	Description	
Ⓐ	min. 36" (915 mm)	Niche width Please contact Miele Customer Service for more information.	
Ⓑ	37" (940 mm)	Minimum safety distance between the top of the cooktop surface and the bottom of an unprotected combustible surface.	
	30" (762 mm)	Minimum safety distance between the top of the cooktop surface and the bottom of the Miele Ventilation Hood (DAR model with DRxB XL or DRxB XXL blower).	
	Refer to the installation instructions for the Miele Ventilation Hood, "Appliance dimensions" (Distance between cooktop and ventilation hood (S)). For all other ventilation hoods please consult the manufacturer's specifications for required distances.		
Ⓒ	approx. 13 1/16" (332.5 mm)	Maximum connection width right and left	Position of the wall socket
Ⓓ	approx. 4 1/2" (115 mm)	Maximum connection height	
Ⓔ	approx. 2 13/16" (72 mm)	Maximum connection depth	

Please observe a minimum safety distance of at least 12" (305 mm) from combustible surfaces located behind the appliance. For zero clearance installation the Miele Backguards will satisfy the required minimum safety distance to combustible surfaces. The Miele Backguard is available in 12" (305 mm) or 20" (508 mm) heights.

Dual Fuel Range dimensions

Detailed views of HR 1934-3 DF

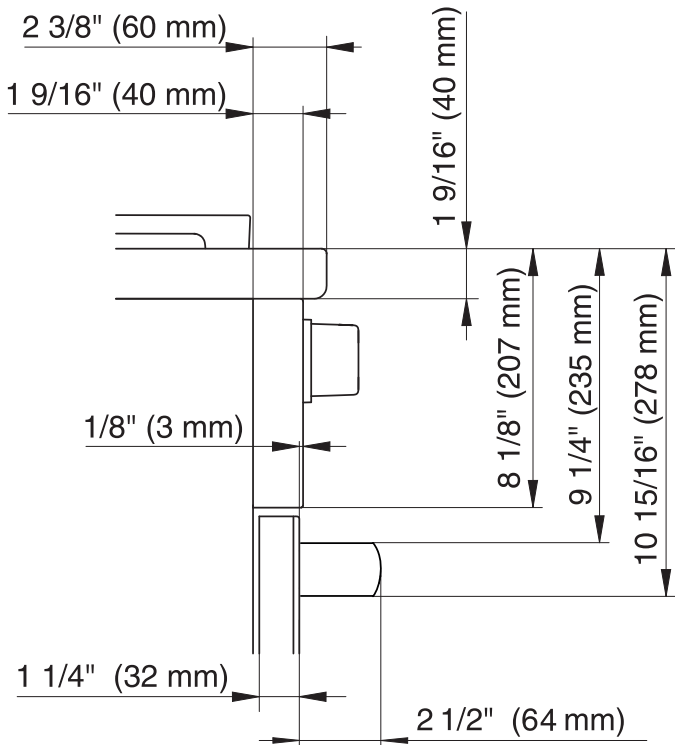
Side view of HR 1934-3 DF



(x) = Depending on the appliance height adjustment: $5''$ – $6 \frac{1}{2}''$ (127 mm–165.1 mm)

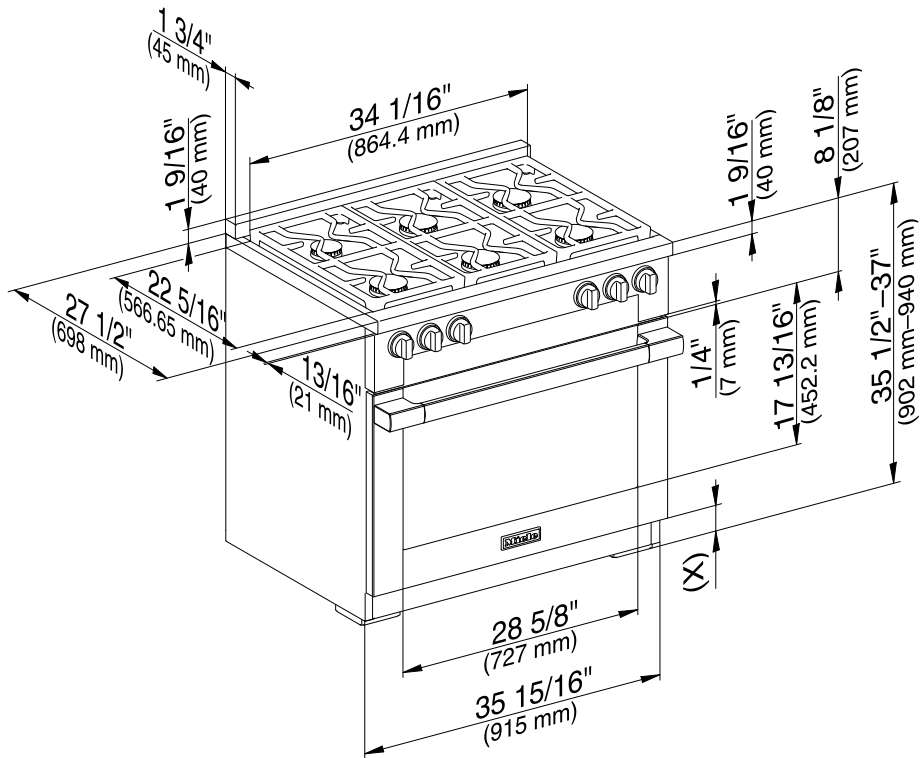
Dual Fuel Range dimensions

Detailed front side view of HR 1934-3 DF



Dual Fuel Range dimensions

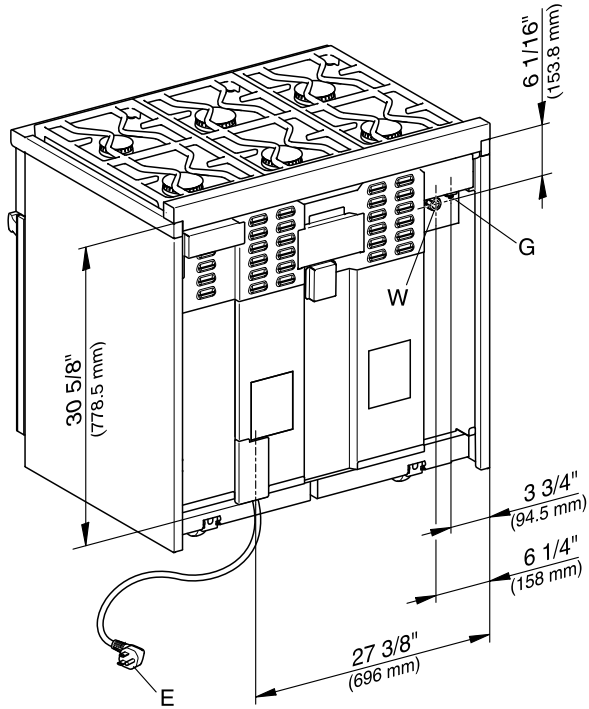
Front view of HR 1934-3 DF



(x) = Depending on the appliance height adjustment: 5" - 6 $\frac{1}{2}$ " (127 mm - 165.1 mm)

Dual Fuel Range dimensions

Rear view of HR 1934-3 DF



E = Electrical connection

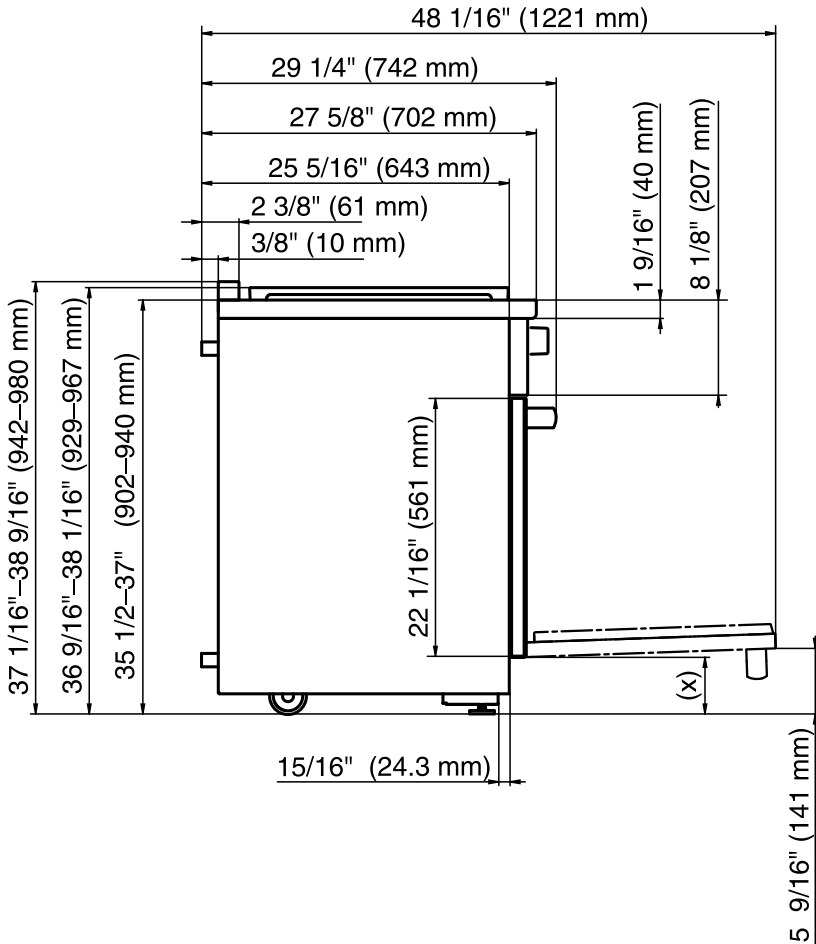
W = Plumbed water connection

G = Gas connection

Dual Fuel Range dimensions

Detailed views of HR 1935-3 DF

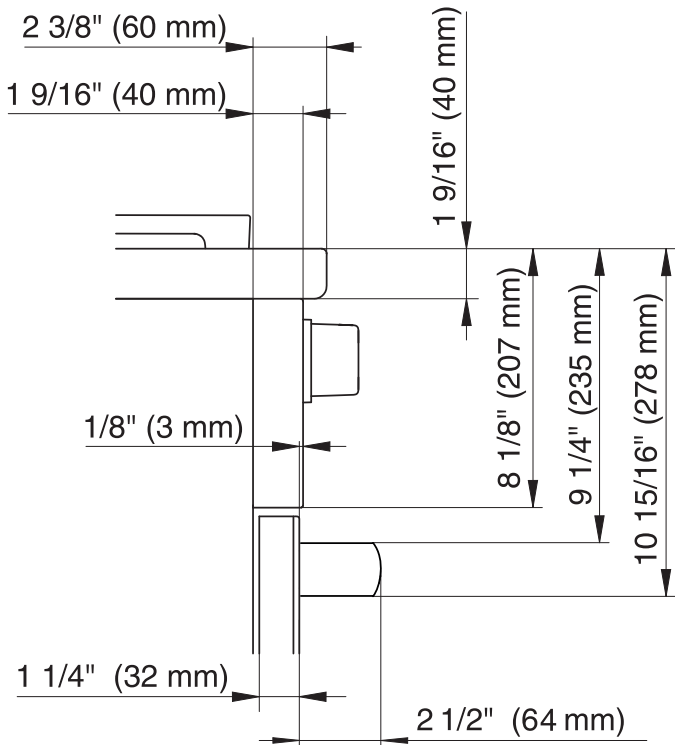
Side view of HR 1935-3 DF



(x) = Depending on the appliance height adjustment: $5''$ – $6 \frac{1}{2}''$ (127 mm–165.1 mm)

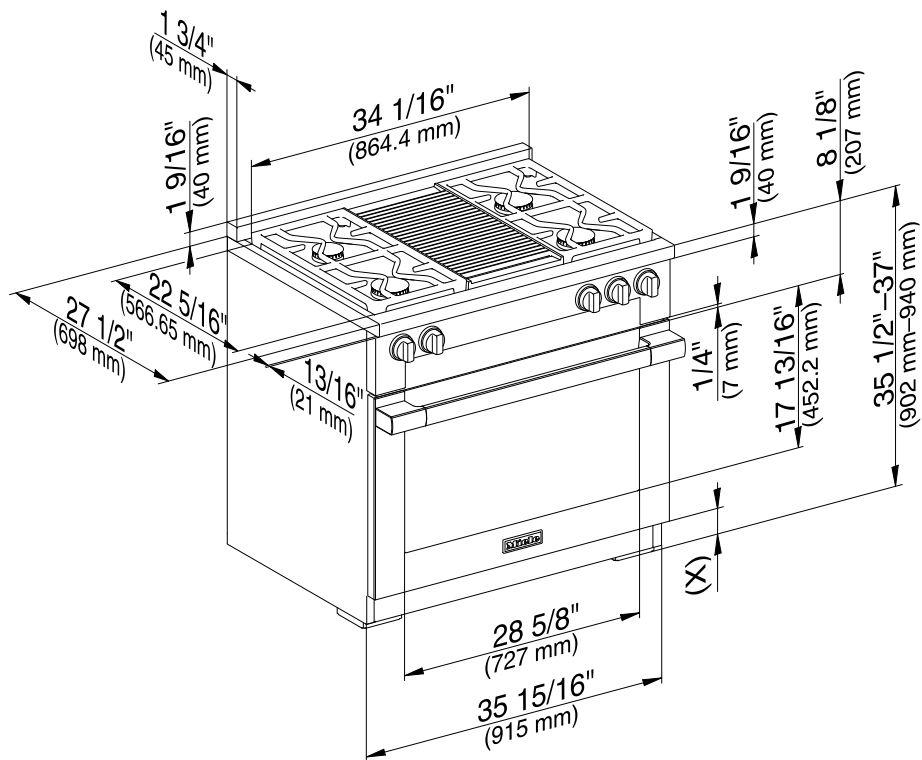
Dual Fuel Range dimensions

Detailed front side view of HR 1935-3 DF



Dual Fuel Range dimensions

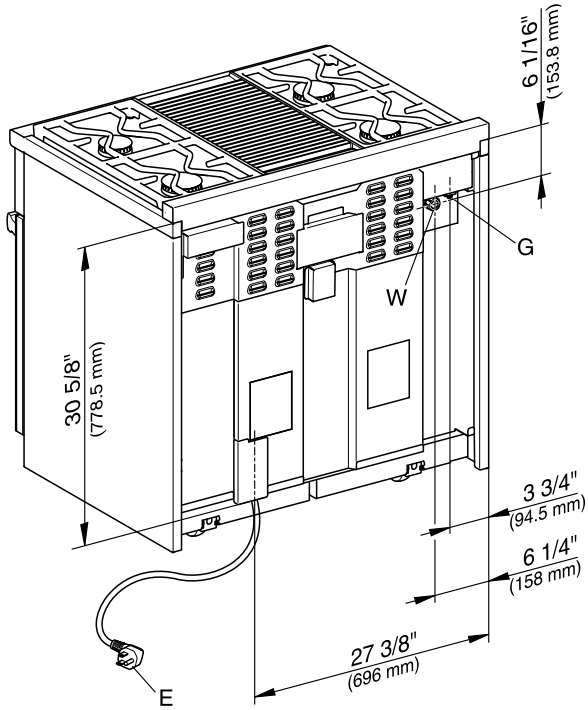
Front view of HR 1935-3 DF



(x) = Depending on the appliance height adjustment: 5" - 6 $\frac{1}{2}$ " (127 mm - 165.1 mm)

Dual Fuel Range dimensions

Rear view of HR 1935-3 DF



E = Electrical connection

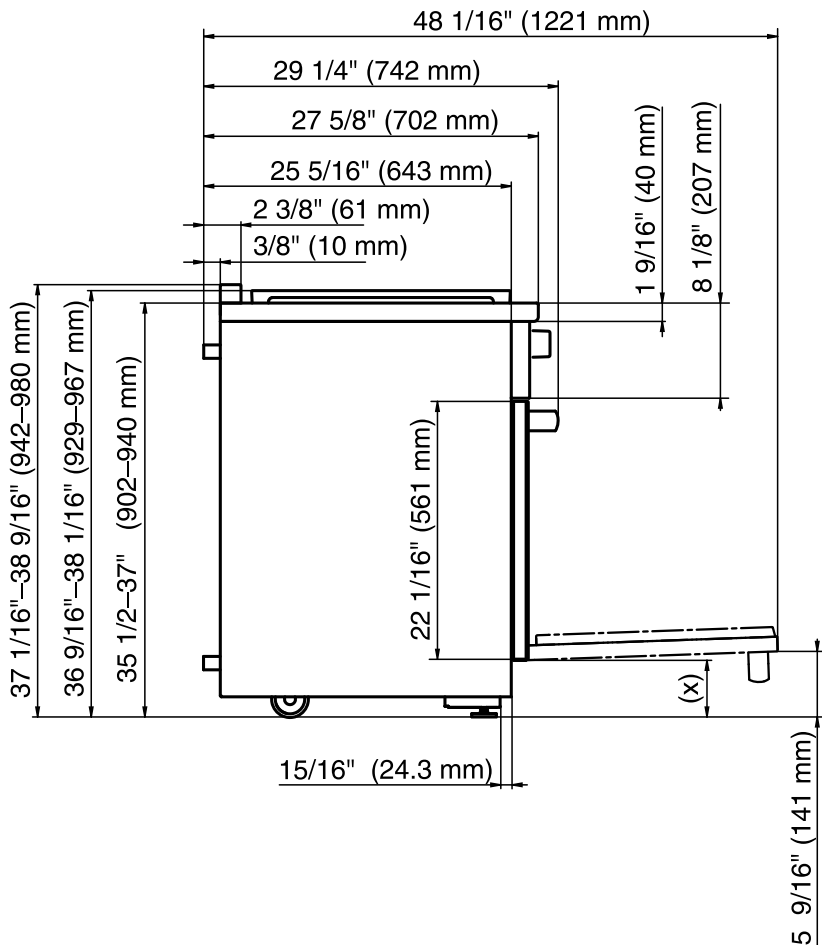
W = Plumbed water connection

G = Gas connection

Dual Fuel Range dimensions

Detailed views of HR 1936-3 DF

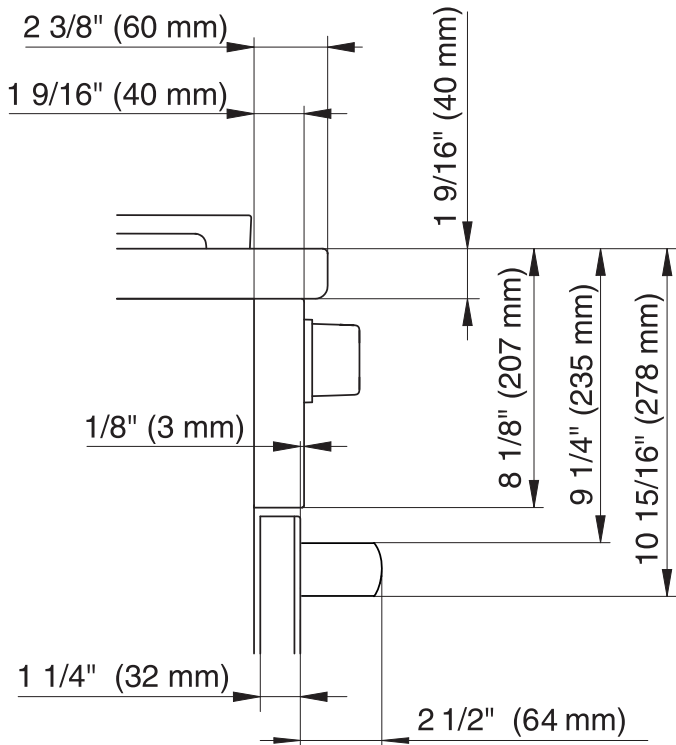
Side view of HR 1936-3 DF



(x) = Depending on the appliance height adjustment: $5''$ – $6 \frac{1}{2}''$ (127 mm–165.1 mm)

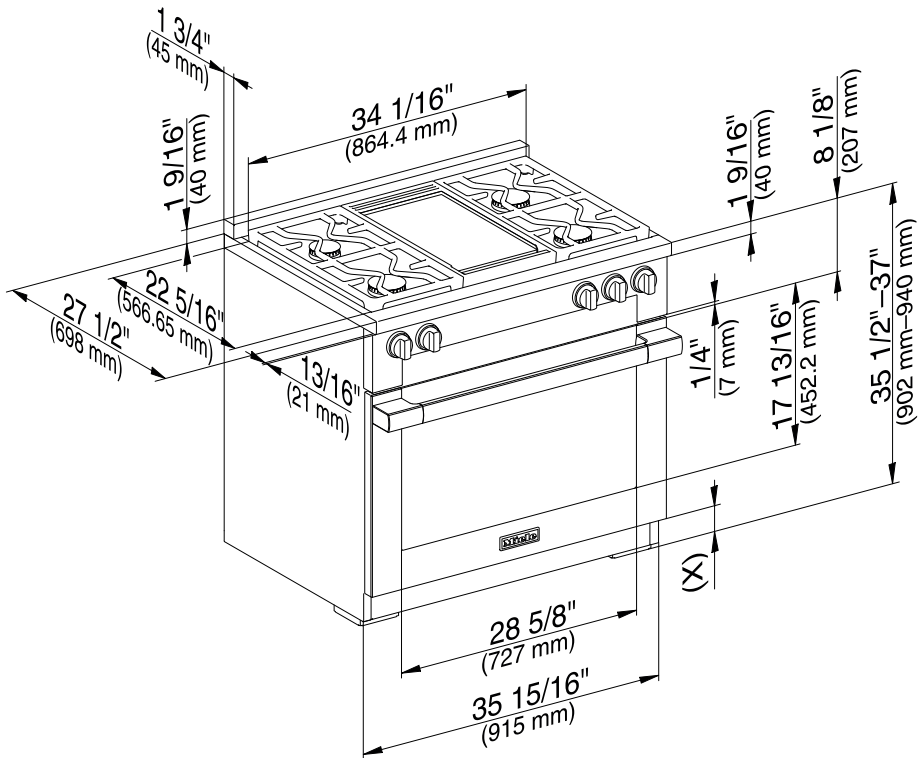
Dual Fuel Range dimensions

Detailed front side view of HR 1936-3 DF



Dual Fuel Range dimensions

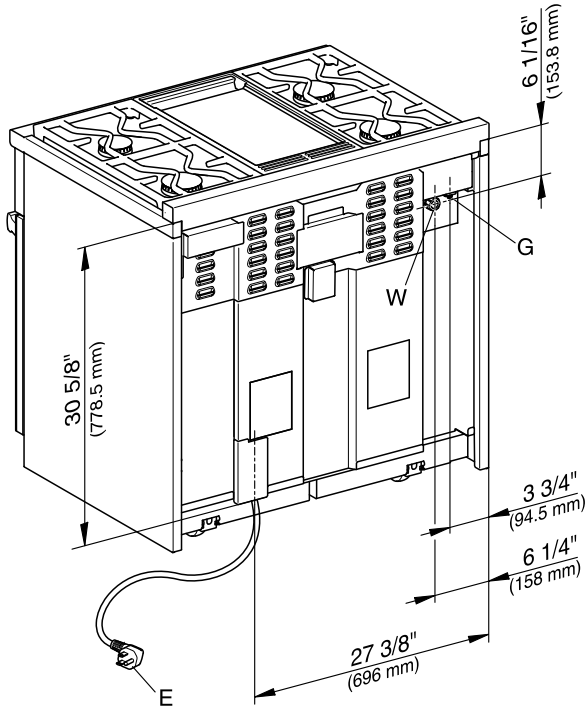
Front view of HR 1936-3 DF



(x) = Depending on the appliance height adjustment: 5"–6 $\frac{1}{2}$ " (127 mm–165.1 mm)

Dual Fuel Range dimensions

Rear view of HR 1936-3 DF



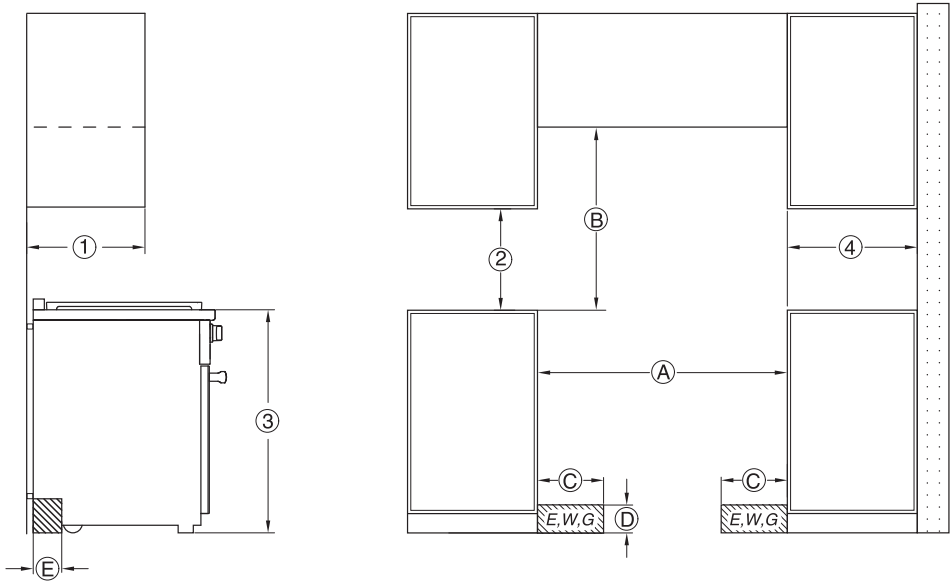
E = Electrical connection

W = Plumbed water connection

G = Gas connection

Dual Fuel Range dimensions

HR 1954-3 DF, HR 1955-3 DF, HR 1956-3 DF



Ⓒ, Ⓓ, Ⓔ The shaded area represents the installation area for the connections:
 E = Electrical connection, W = Plumbed water connection, G = Gas connection

No.	Dimensions	Description
①	13" (330 mm)	Maximum depth of upper cabinet
②	18" (457 mm)	Minimum safety distance to bottom edge of upper cabinet
③	35 1/2"–37" (901–940 mm)	Distance from the floor to cooktop surface
④	10" (254 mm)	Minimum safety distance to combustible surfaces.

Dual Fuel Range dimensions

HR 1954-3 DF

No.	Dimensions	Description
Ⓐ	min. 48" (1,220 mm)	Niche width Please contact Miele Customer Service for more information.
Ⓑ	37" (940 mm)	Minimum safety distance between the top of the cooktop surface and the bottom of an unprotected combustible surface.
	36" (915 mm)	Minimum safety distance between the top of the cooktop surface and the bottom of the Miele Ventilation Hood (DAR model with DRxB XXL blower).
	Refer to the installation instructions for the Miele Ventilation Hood, "Appliance dimensions" (Distance between cooktop and ventilation hood (S)). For all other ventilation hoods please consult the manufacturer's specifications for required distances.	
Ⓒ	approx. 19 1/8" (485 mm)	Maximum connection width right and left
Ⓓ	approx. 3 1/2" (90 mm)	Maximum connection height
Ⓔ	approx. 2 13/16" (72 mm)	Maximum connection depth
Position of the wall socket		

Please observe a minimum safety distance of at least 12" (305 mm) from combustible surfaces located behind the appliance. For zero clearance installation the Miele Backguards will satisfy the required minimum safety distance to combustible surfaces. The Miele Backguard is available in 12" (305 mm) or 20" (508 mm) heights.

Dual Fuel Range dimensions

HR 1955-3 DF, HR 1956-3 DF

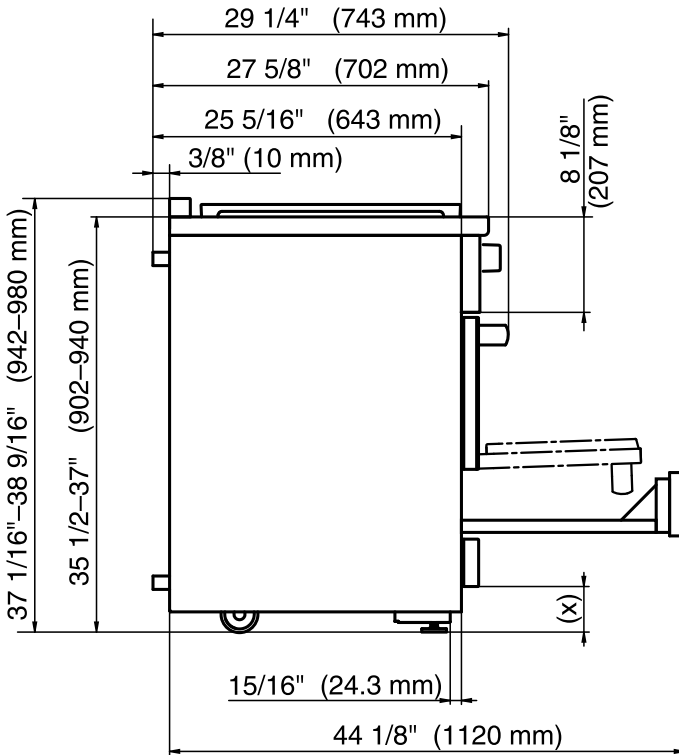
No.	Dimensions	Description	
Ⓐ	min. 48" (1,220 mm)	Niche width Please contact Miele Customer Service for more information.	
Ⓑ	37" (940 mm)	Minimum safety distance between the top of the cooktop surface and the bottom of an unprotected combustible surface.	
	36" (915 mm)	Minimum safety distance between the top of the cooktop surface and the bottom of the Miele Ventilation Hood (DAR model with DRxB XL blower).	
	30" (762 mm)	Minimum safety distance between the top of the cooktop surface and the bottom of the Miele Ventilation Hood (DAR model with DRxB XXL blower).	
	Refer to the installation instructions for the Miele Ventilation Hood, "Appliance dimensions" (Distance between cooktop and ventilation hood (S)). For all other ventilation hoods please consult the manufacturer's specifications for required distances.		
Ⓒ	approx. 19 1/8" (485 mm)	Maximum connection width right and left	Position of the wall socket
Ⓓ	approx. 3 1/2" (90 mm)	Maximum connection height	
Ⓔ	approx. 2 13/16" (72 mm)	Maximum connection depth	

Please observe a minimum safety distance of at least 12" (305 mm) from combustible surfaces located behind the appliance. For zero clearance installation the Miele Backguards will satisfy the required minimum safety distance to combustible surfaces. The Miele Backguard is available in 12" (305 mm) or 20" (508 mm) heights.

Dual Fuel Range dimensions

Detailed views of HR 1954-3 DF

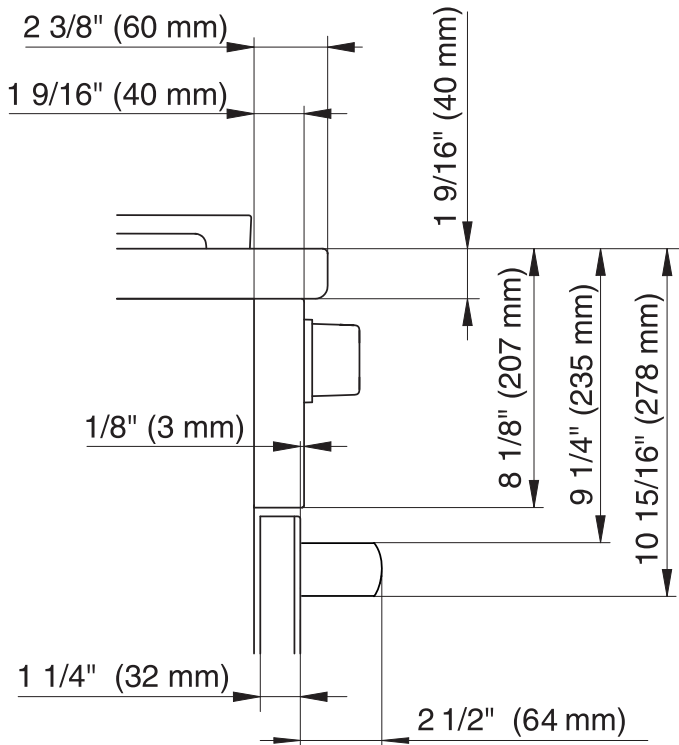
Side view of HR 1954-3 DF



(x) = Depending on the appliance height adjustment: 4" - 5 1/2" (101.6 mm - 139.7 mm)

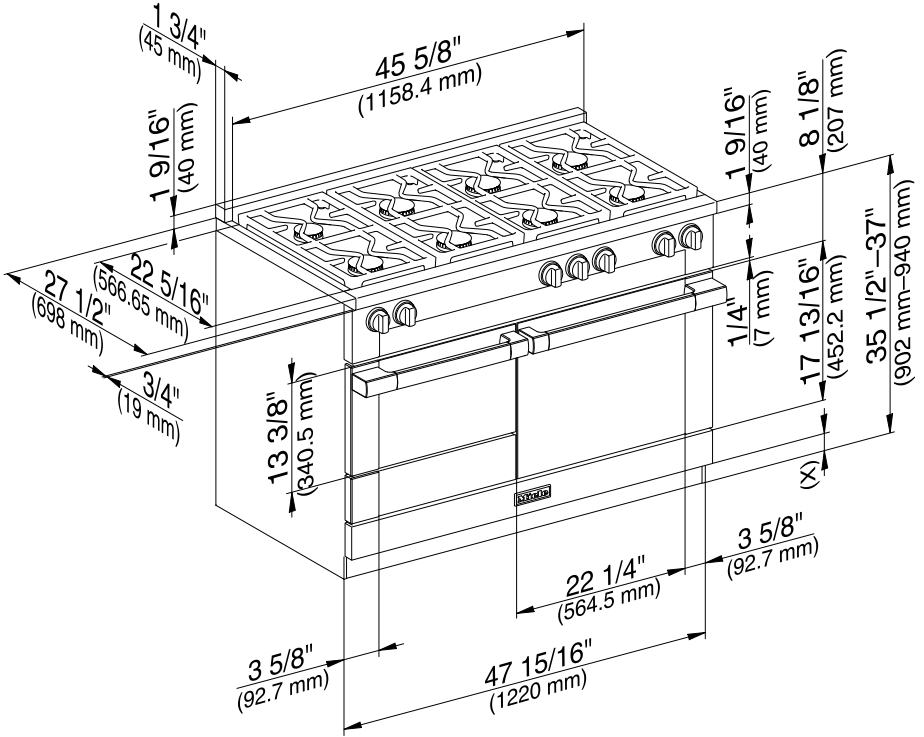
Dual Fuel Range dimensions

Detailed front side view of HR 1954-3 DF



Dual Fuel Range dimensions

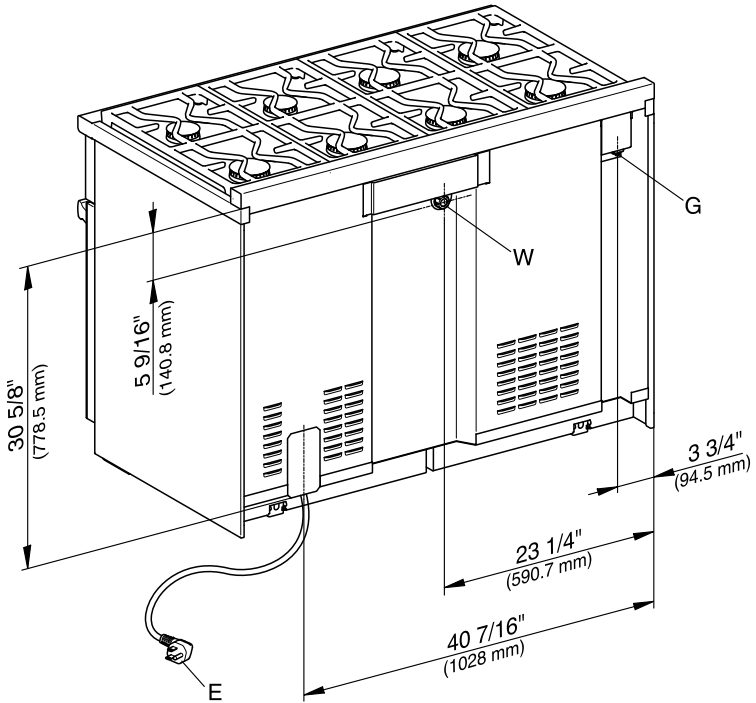
Front view of HR 1954-3 DF



(x) = Depending on the appliance height adjustment: 4"–5 1/2" (101.6 mm–139.7 mm)

Dual Fuel Range dimensions

Rear view of HR 1954-3 DF



E = Electrical connection

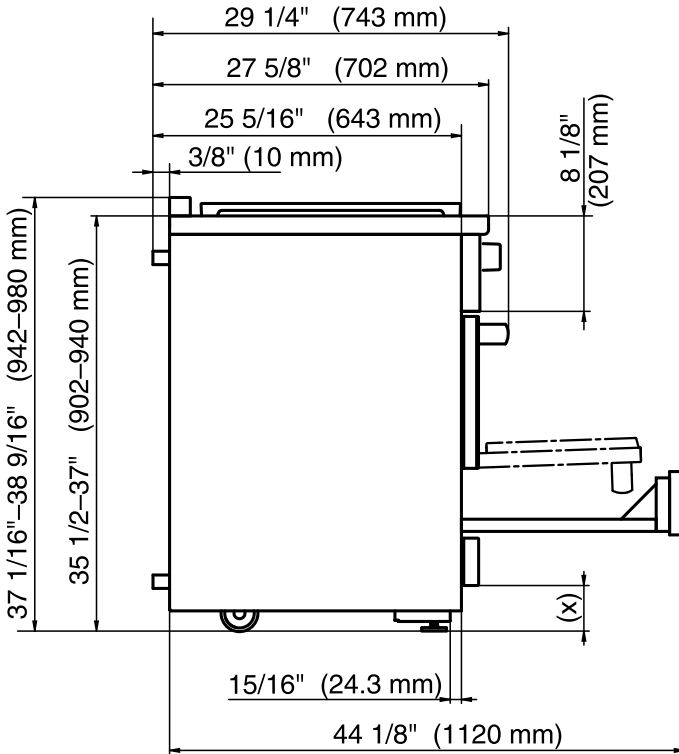
W = Plumbed water connection

G = Gas connection

Dual Fuel Range dimensions

Detailed views of HR 1955-3 DF

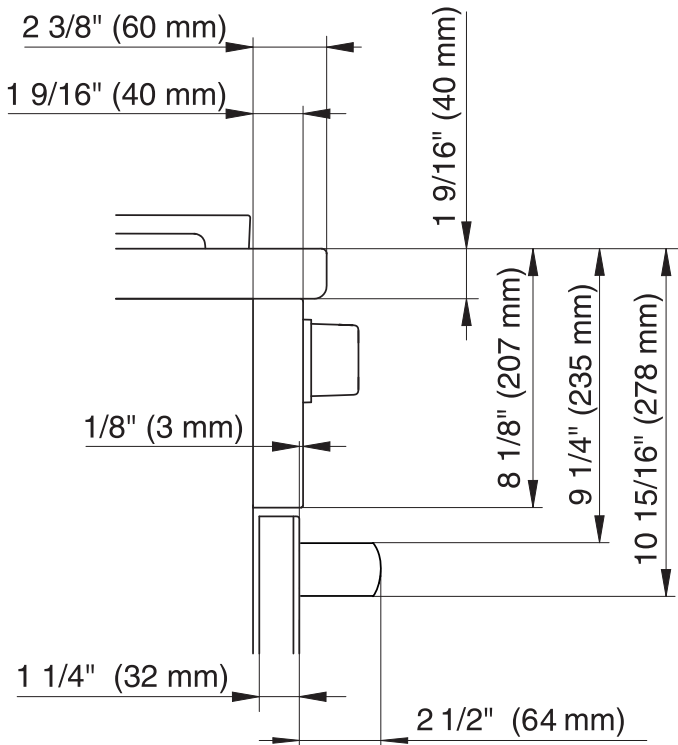
Side view of HR 1955-3 DF



(x) = Depending on the appliance height adjustment: 4" - 5 1/2" (101.6 mm - 139.7 mm)

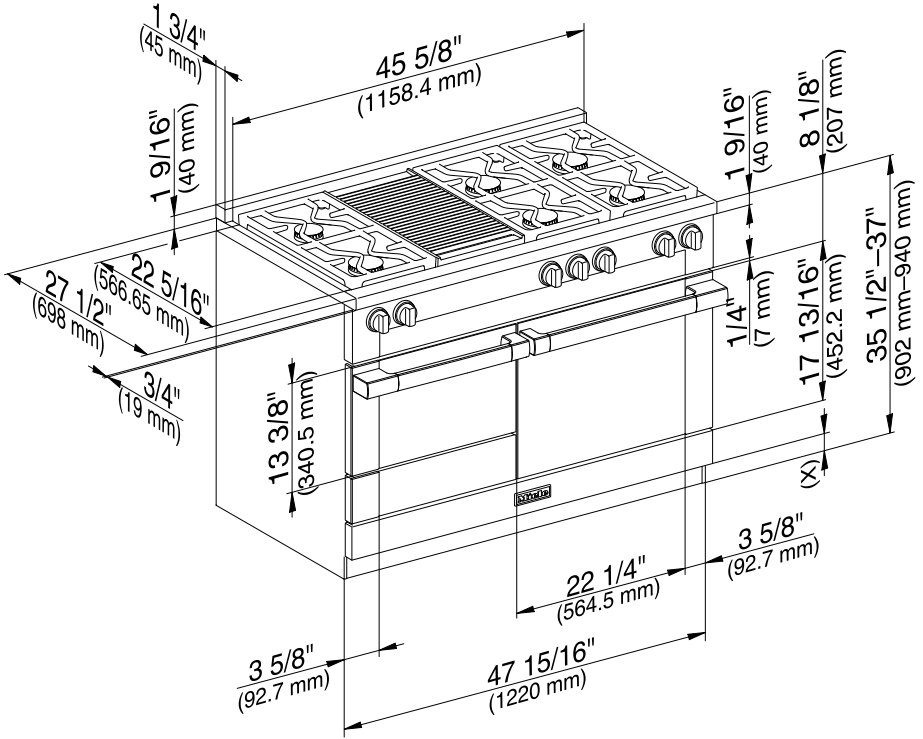
Dual Fuel Range dimensions

Detailed front side view of HR 1955-3 DF



Dual Fuel Range dimensions

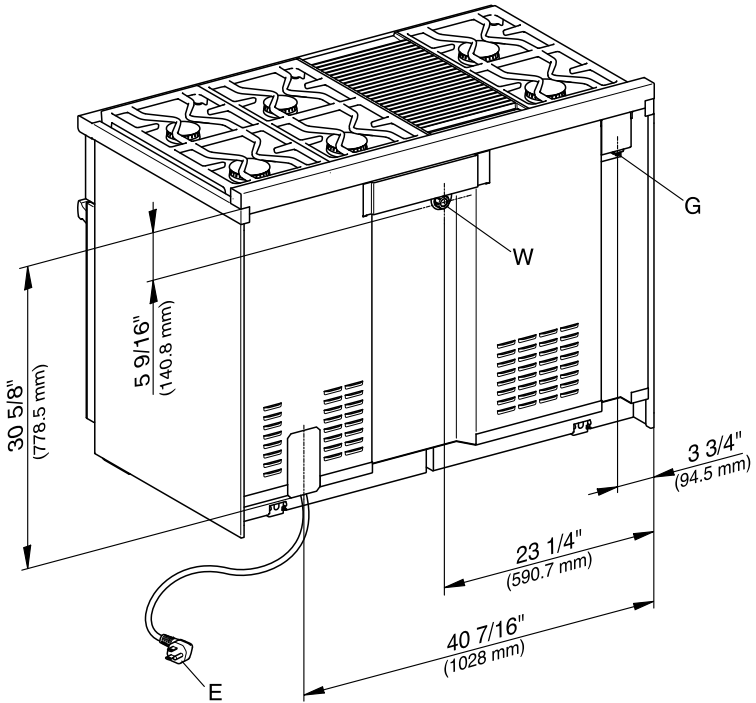
Front view of HR 1955-3 DF



(x) = Depending on the appliance height adjustment: 4"- $5\frac{1}{2}$ " (101.6 mm-139.7 mm)

Dual Fuel Range dimensions

Rear view of HR 1955-3 DF



E = Electrical connection

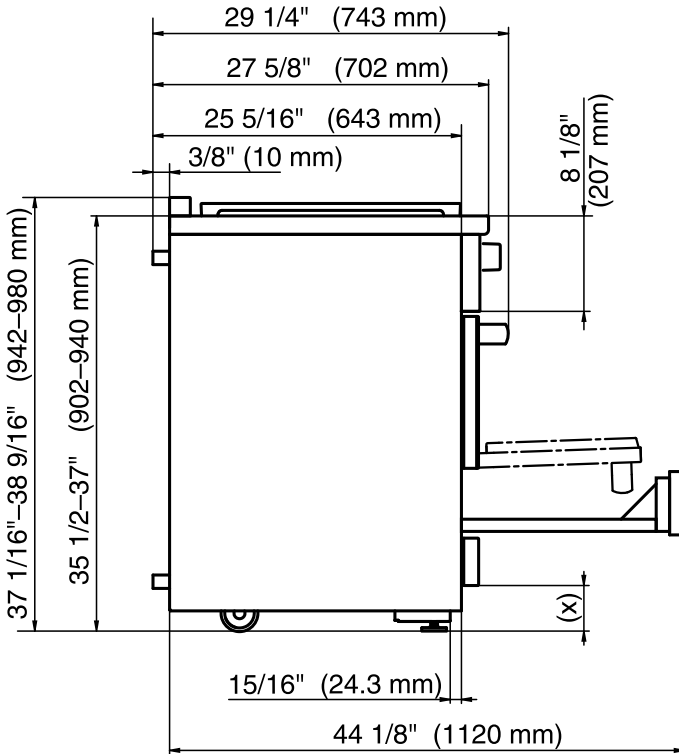
W = Plumbed water connection

G = Gas connection

Dual Fuel Range dimensions

Detailed views of HR 1956-3 DF

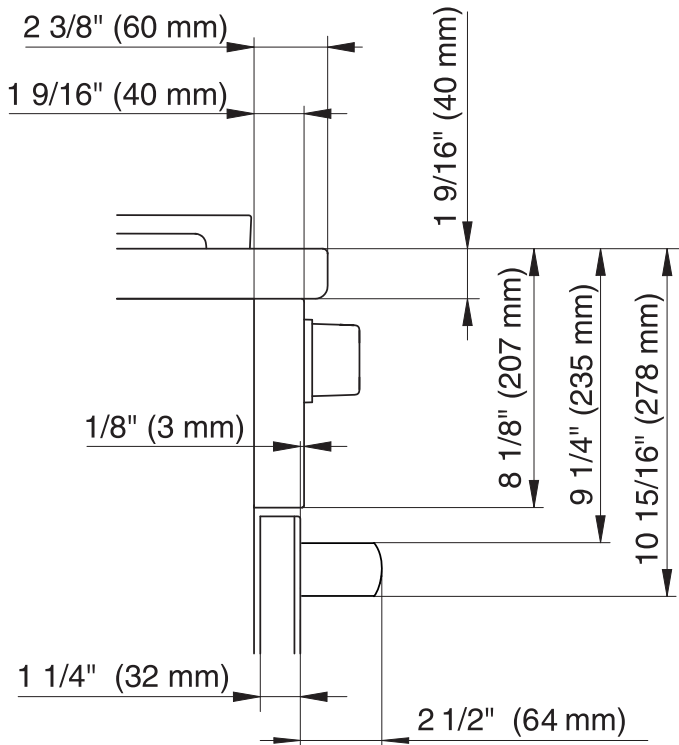
Side view of HR 1956-3 DF



(x) = Depending on the appliance height adjustment: 4" - 5 1/2" (101.6 mm - 139.7 mm)

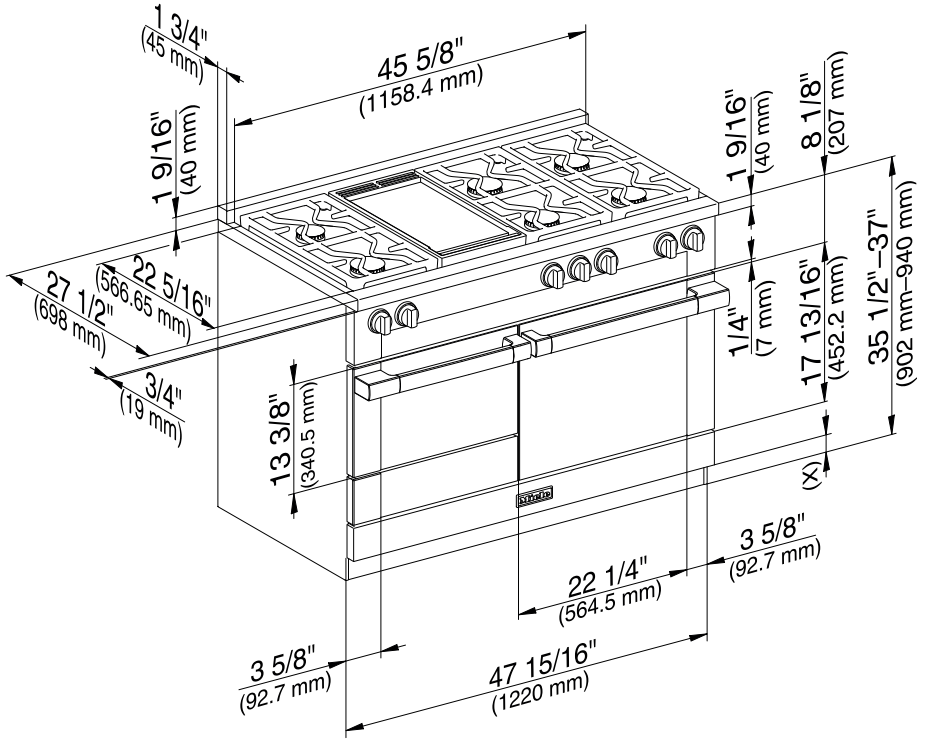
Dual Fuel Range dimensions

Detailed front side view of HR 1956-3 DF



Dual Fuel Range dimensions

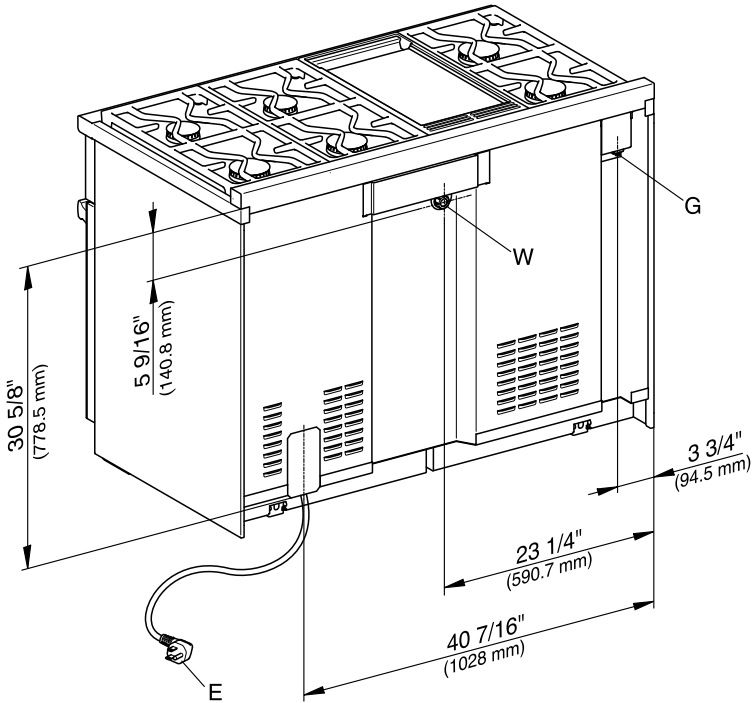
Front view of HR 1956-3 DF



(x) = Depending on the appliance height adjustment: 4" - $5\frac{1}{2}$ " (101.6 mm - 139.7 mm)

Dual Fuel Range dimensions

Rear view of HR 1956-3 DF



E = Electrical connection

W = Plumbed water connection

G = Gas connection

Before installation

WARNING

Children and adults can tip over the range if has not been secured. This may lead to fatal injuries.

Make sure that the anti-tip device is properly installed and locked into place. It should be screwed to the floor or wall and engage with the center of the bottom of the range.

You must take care to protect the installed flooring when moving the range.

After moving the range, make sure that the anti-tip device locks back into place. It should be screwed to the floor or wall and engage with the center of the bottom of the range.

Do not use the range if the anti-tip device has not been properly installed and engaged.

Due to the size and weight of the appliance, installation should be carried out by two people.

Any opening in the wall behind the appliance and in the floor under the appliance shall be sealed.

We recommend removing the oven door before installing the range (see “Removing the door” in the Operating Instructions) and all accessories from the oven interior. This will make it easier to install the appliance in its designated space.

Once the range has been installed and secured against tipping, you can reattach the oven door (see “Reinstalling the door” in the Operating Instructions).

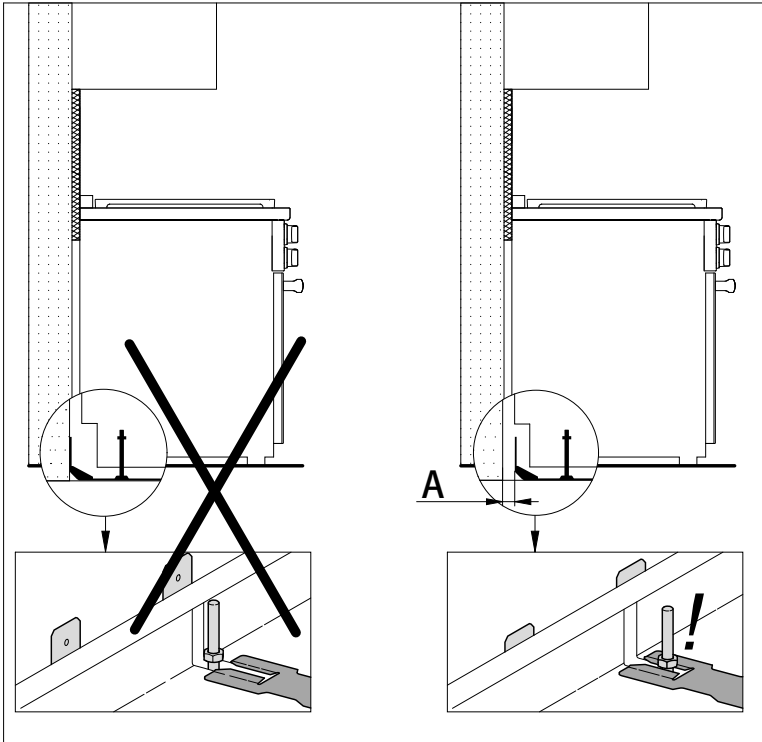
Anti-tip device

Do not carry or lift the range by the oven door handle or the control panel!

Checking the installation niche

Install the anti-tip device on a surface capable of bearing significant weight, such as a concrete floor, concrete wall, or timber framing. The surface must be flat and level.

- If the rear of the Range has **distance A** to the supporting wall due to unevenness or wall covering (e.g., tile level), you must install the anti-tip device to the supporting floor. Alternatively, you can also install the anti-tip device with an adapter between the supporting wall and the anti-tip device. The adapter must compensate dimension A and be made of suitable material so that a supporting connection is made between the wall and anti-tip device. Use appropriate screws (length and diameter).



A = Distance between the rear of the Range and the supporting wall

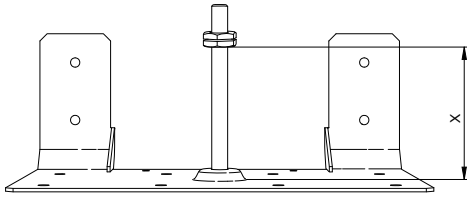
- Check the floor surface.
- Check the installation dimensions.
- Check the building drawings for supply wires and pipework. Make sure that you do not damage any wires or pipes when drilling holes to attach the anti-tip device.
- Check the position of the electrical, gas, and plumbed water connections (see “Electrical connection”, “Gas Connection”, and “Plumbed water connection”). An overview of electrical and gas connections required for your Range can be found in “Notes on installation”.

Anti-tip device

Included accessories

- 1 anti-tip device
- 4 screws
- 4 plugs

Installation dimensions of locking bolt



Anti-tip device, front view

Model	Width	X
HR 1124-3 HR 1421-3* HR 1422-3 HR 1622-3 HR 1724-3 HR 1924-3	29 15/16" (762 mm)	3 13/16" (97 mm)
HR 113x-3 HR 193x-3	35 15/16" (915 mm)	3 13/16" 97 mm
HR 195x-3	47 15/16" (1,220 mm)	3 1/4" 82 mm

* Only available in Canada.

Installing the Range with the anti-tip device

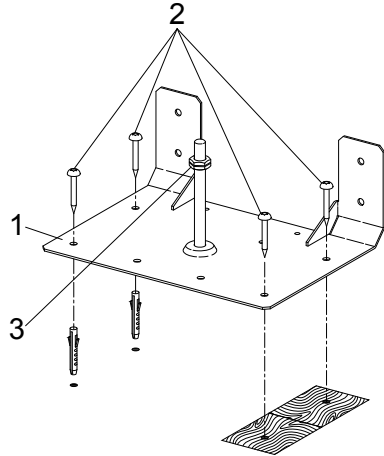
Wear safety shoes and gloves.

The anti-tip device should be installed at the bottom rear of the Range at the midpoint of the width.

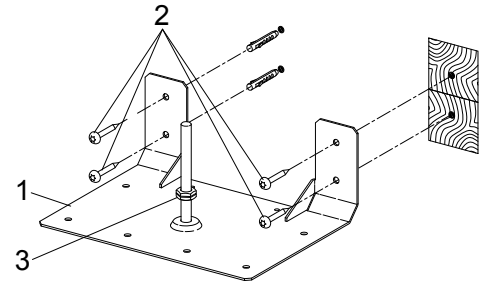
- Measure the installation space for the Range close to floor level.

- Mark the wall at the middle of the space width.
- Position the notch of the anti-tip device on the wall marking.

The anti-tip device must fit tightly on the floor **or** the wall.



Attaching to the floor



Attaching to the wall

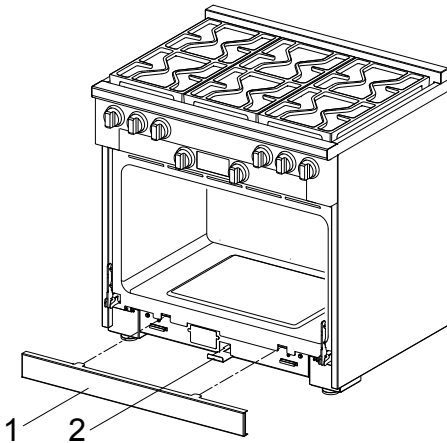
- ① Anti-tip device
- ② Screws
- ③ Locking nut

Anti-tip device

- Using four screws ①, secure the anti-tip device ② to the floor surface with suitable bearing capacity, either to the floor or wall.
- Screw the locking nut ③ to the bolt; see the “Installation dimensions of locking bolt” table.

Do not push the Range into position before all supply connections have been established.

The toe kick panel is attached to the toe kick of the Range by magnets.



- ① Toe kick panel
- ② Locking clamp

- Remove the toe kick panel ① from the Range.
- Pull out the locking clamp ② .

The locking clamp extends through the toe kick panel of the Range housing. It can be pulled out and pushed back in again. Its length is approximately equal to the depth of the Range.

A slot is located in the non-visible rear section of the locking latch. This slot engages with the bolt of the anti-tip device when you slide the locking latch into the Range.

Complete all necessary connections for the Range. Read the information in the “Electrical connection”, “Gas connection”, and “Plumbed water connection” sections.

The Range can be damaged if it is lifted using the panel, the island trim, or the door handle.

Open the oven door and hold the appliance by the front of the oven cavity.

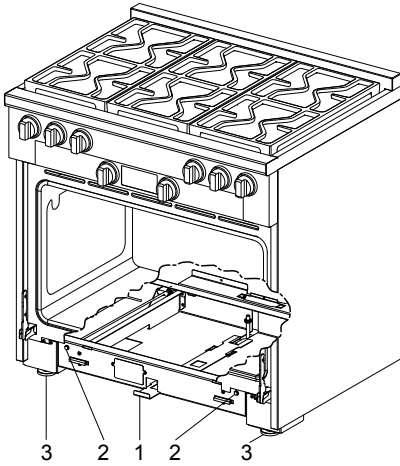
Lift the Range and move it with the help of the rear wheels.

- Slide the Range into position, guiding the middle of the appliance onto the anti-tip device. Slide the appliance all the way back to the wall.

The Range can be aligned if necessary. Check it with a level.

- Rear adjustment right ② and left: You will need an open-end wrench (3/8" (10 mm)).
- Front adjustment right ③ and left: You will need an open-end wrench (5/8" (16 mm)) for the locknut and an open-end wrench (1/2" (13 mm)) for the adjustable nut.

Anti-tip device

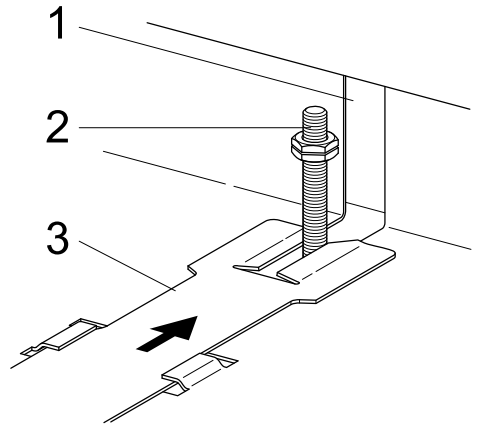


- ① Locking clamp
- ② Rear adjustment
- ③ Front adjustment

- Align the Range.
- Slide the locking clamp ① firmly back.

In the Range housing, there is an opening ① for the bolt ② of the anti-tip device. The opening allows the Range to be slid onto the anti-tip device and back to the wall.

The locking clamp ③ must noticeably engage with the bolt ② so that anti-tip protection is ensured for the Range.



- ① Opening in the Range housing
- ② Anti-tip device bolt
- ③ Locking clamp with slot

The toe kick panel can only be attached if the locking clamp ③ has been slid all the way into the appliance.

- Secure the toe kick panel onto the Range.

Disconnecting the range from the anti-tip device


WARNING

Children and adults can tip over the range if has not been secured. This may lead to fatal injuries.

If you need to remove the range from its installation space, e.g. for service, you first need to disconnect the appliance from the anti-tip device.


- Follow the instructions for installation in reverse order.

Plumbed water connection

 Risk of injury and appliance damage if appliance is not connected properly.

Failing to connect the appliance properly can result in personal injury and/or material damage.

The appliance may only be connected to the plumbed water connection by qualified technicians.

 Risk to health and risk of damage due to contaminated water.

The quality of the incoming water must conform to the requirements for drinking water in the country where the appliance is being used.

Connect the appliance to the water supply.

Connection to the water supply must comply with the applicable regulations in the country where the appliance is being installed. All units and systems used to supply water to the appliance must also comply with the applicable regulations in the respective country.

Connect the appliance directly to the plumbed water supply.

Avoid connecting the appliance to a water supply in which the water might stagnate. Otherwise, the flavor of the food could be impaired.

The appliance must only be connected to a cold water supply.

The appliance is constructed to comply with the relevant local and national safety standards and may be connected to the water supply without a non-return valve if national regulations permit.

The water connection pressure needs to be between 14.5 and 145 psi (1 and 10 bar). If the pressure is higher than this, install a pressure reducing valve.

30" and 36" range: The provided stainless steel hose has a length of 4' 11" (1.5 m).

48" range: The provided stainless steel hose has a length of 9' 10" (3 m). Longer inlet hoses are available if necessary. Do not shorten the hoses.

Longer inlet hoses are available if necessary. Do not shorten the hoses.

The total hose length must not exceed 24.5 ft (7.5 m).

A faucet must be provided between the stainless steel hose and the household water supply to ensure that the water supply can be cut off if necessary. Make sure the faucet remains easily accessible once the appliance has been installed.

If the stainless steel hose supplied is damaged, it must only be replaced with an original Miele replacement hose, available from the Miele web store, Miele Customer Service, or from your Miele dealer. The hose must be suitable for supplying drinking water.

Plumbed water connection

Connecting the appliance to the water supply line

Make sure that the supply line is not kinked or damaged.

- Remove the water connection cover at the back of the appliance.
- Take the **angled** side of the brass fitting and check whether a gasket is present. If not, insert one.
- Screw the supply line coupling nut onto the threaded union.
- Ensure that the supply line is correctly fitted and that it is water-tight.

Connecting to the water supply

Disconnect the appliance from the power supply before connecting it to the water supply.

Turn off the water supply at the faucet before connecting the appliance to the water supply.

Make sure that the faucet remains accessible after the appliance has been installed.

A faucet with a 3/8" connection thread is required for the connection.

- Connect the stainless steel hose to the water supply.

Old or used hoses must not be connected to the appliance.
Only use the stainless steel hose supplied.

- Connect the compression fitting to the water supply.
- Slowly open the shut-off valve to the water supply and check for leaks. If necessary, check whether the sealing ring and fittings are tight.

You can now continue installing the appliance.

The plug must be inserted into a suitable outlet that has been installed and grounded in compliance with all applicable local regulations.

WARNING: THIS APPLIANCE MUST BE GROUNDED

Installer: Please pass these instructions on to the customer.



WARNING:

During installation, maintenance, and repair work, the Range must be disconnected from the domestic electrical supply by fully unscrewing the breakers, switching off the breakers, and unplugging the power cord from the socket. To do this, pull the plug, not the power cord.

Installation, repairs, and other work by unqualified persons could be dangerous. Miele cannot be held liable for unauthorized work. Installation, maintenance, and repairs must only be carried out by a Miele authorized technician.

The connection data (voltage and frequency) on the data tag of the Range must match the domestic electrical supply in order to avoid the risk of damage to the Range. Compare this data before connecting the appliance. If in any doubt, consult a qualified electrician.

The internal electrical wiring of the appliance was carried out and tested in accordance with the current regulations. To make sure that your appliance runs smoothly, ensure that the socket has the correct phase assignment. If in any doubt, consult a qualified electrician.

Electrical connection

Electrical connection

Model	Power cord	NEMA	For electrical supply with			
				USA	Canada	
HR 112x-3 AG HR 113x-3 AG	approx. 5' 11" (1.80 m)	5–15 P plug	120 V	15 A	15 A	60 Hz
HR 1421-3 E Only available in Canada.	approx. 5' 11" (1.80 m)	14–50 P plug	120/208 V or 120/240 V	50 A	50 A	60 Hz
HR 1422-3 i HR 1622-3 i	approx. 5' 11" (1.80 m)	14–50 P plug	120/208 V or 120/240 V	50 A	50 A	60 Hz
HR 172x-3 DF HR 192x-3 DF HR 193x-3 DF	approx. 5' 11" (1.80 m)	14–30 P plug	120/208 V or 120/240 V	30 A	30 A	60 Hz
HR 195x-3 DF	approx. 5' 11" (1.80 m)	14–50 P plug	120/208 V or 120/240 V	50 A	50 A	60 Hz

Temporary or permanent operation on an autonomous power supply system or a power supply system that is not synchronized with the grid power supply (e.g., island networks, backup systems) is possible. A prerequisite for operation is that the power supply system complies with the specifications of EN 50160 or an equivalent standard. The function and operation of the protective measures provided in the domestic electrical installation and in this Miele product must also be maintained in isolated operation or in operation that is not synchronized with the grid power supply, or these measures must be replaced by equivalent measures in the installation. As described, for example, in the current version of VDE-AR-E 2510-2.

Data plate

The data plate is located behind the toe kick panel. The toe kick panel is attached to the toe kick of the Range by magnets so it can be removed and put back again easily.

There you can find the model number, serial number and the connection data (voltage/frequency/maximum rated load) for your Range.


Have this information available if you need to contact Miele so that any issues can be rectified as quickly as possible.

This appliance must be grounded in compliance with all applicable local and national regulations.

Installation, repair and maintenance work should only be performed by a Miele authorized service technician in compliance with local regulations and the ANSI National Electrical Code / NFPA 70 in the United States or the Canadian Electrical Code, Part I in Canada (CSA standard C22.1).

SAVE THESE INSTRUCTIONS FOR THE ELECTRICAL INSPECTOR'S USE.

Gas connection

 Connection to the gas supply should only be undertaken by an approved and registered gas installer. In Massachusetts, the gas connection may be performed only by a certified gas installer.

The Range must be connected with its own faucet.
The gas connection must be installed so that connection can be made either from inside or outside the kitchen unit. The faucet must be easily accessible and visible (by opening the door panel if necessary).

The connection of the Range can be for natural gas NG or liquid propane LP according to the model.
Ask your gas company what kind of gas is used and compare it with the specifications on the data tag.

The Range is not connected to an exhaust vent.
During the setup and connection of the Range, observe the applicable installation conditions, especially suitable ventilation measures.

The gas connections must be arranged in such a way that they are not heated and damaged by the operation of the Range.
In particular, make sure that the gas hose lines and connection fittings on the Range do not come into contact with hot exhaust gases.

Flexible connection lines can be damaged by incorrect routing.
Attach flexible connection lines in such a way that they do not come into contact with any moving kitchen parts (e.g., a drawer) and are not exposed to mechanical stress.

The Range and the faucet must be disconnected from the gas supply during a gas pressure test.
Disconnect the Range and the faucet from the gas supply before performing a gas pressure test at a pressure of more than 1/2 psi (3.5 kPa). Close the faucet of the gas supply before performing a gas pressure test at a pressure of less than or equal to 1/2 psi (3.5 kPa).

For the gas connection, note that it is a 1/2" NPT thread. Incorrectly sealed gas lines can lead to a gas leak and thus to an explosion.
Seal all gas lines with a suitable thread sealant.

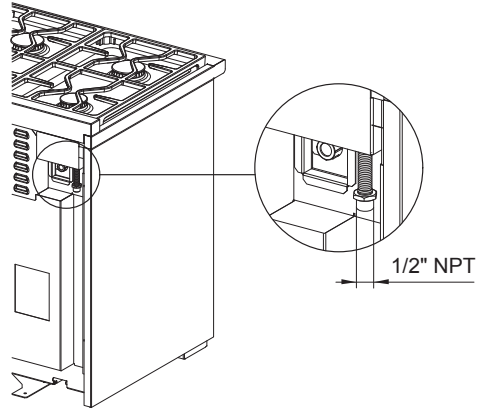
Seal tightness tests on the Range must be performed according to manufacturer specifications.

The gas connection must be carried out by a Miele authorized technician in accordance with local regulations and the following codes:
National Fuel Gas Code ANSI Z 21.1/ NFPA No. 54 for the United States or the current Can/CGA B 149.1 and 2 Installation Codes of Gas Appliances for Canada.

Gas connection

The installation must comply with local regulations or, if there are no local regulations, the National Fuel Gas Code, ANSI Z223.1/NFPA 54.

The gas pressure may not undershoot or exceed certain values. Make sure that the maximum gas pressure upstream of the gas pressure controller does not amount to more than 1/2 psi (3.5 kPa) for natural gas NG and liquid propane LP. Make sure that the minimum gas pressure amounts to a 6" water head in the case of natural gas and a 11" water head in the case of propane gas.



Burner ratings

Burner ratings HR 1124-3 AG

Natural gas NG	Btu/hr	kW
Simmer burner	12,500	3.7
Power burner	19,500	5.7
Oven top burner	22,000	6.4
Oven bottom burner	23,200	6.8
Total cooktop output	71,000	20.8
Maximum total output of Range	94,200	27.6

Liquid propane LP	Btu/hr	kW
Simmer burner	12,500	3.7
Power burner	19,500	5.7
Oven top burner	20,150	5.9
Oven bottom burner	23,200	6.8
Total cooktop output	71,000	20.8
Maximum total output of Range	94,200	27.6

Burner ratings HR 1134-3 AG

Natural gas NG	Btu/hr	kW
Simmer burner	8,000	2.3
Power burner, rear	9,000	2.6
Power burner, front	19,500	5.7
Oven top burner	22,000	6.4
Oven bottom burner	25,500	7.5
Total cooktop output	84,500	24.8
Maximum total output of Range	110,000	32.2

Liquid propane LP	Btu/hr	kW
Simmer burner	8,000	2.3
Power burner, rear	9,000	2.6
Power burner, front	19,500	5.7
Oven top burner	20,150	5.9
Oven bottom burner	27,500	8.1
Total cooktop output	84,500	24.8
Maximum total output of Range	112,000	32.8

Burner ratings HR 1135-3 AG

Natural gas NG	Btu/hr	kW
Simmer burner	8,000	2.3
Power burner, rear	9,000	2.6
Power burner, front	19,500	5.7
Grill	19,000	5.6
Oven top burner	22,000	6.4
Oven bottom burner	25,500	7.5
Total cooktop output	75,000	22.0
Maximum total output of Range	100,500	29.5

Burner ratings

Burner ratings HR 1136-3 AG

Natural gas NG	Btu/hr	kW
Normal burner	8,000	2.3
Power burner, rear	9,000	2.6
Power burner, front	19,500	5.7
Griddle plate	13,000	3.8
Oven top burner	22,000	6.4
Oven bottom burner	25,500	7.5
Total cooktop output	69,000	20.2
Maximum total output of Range	94,500	27.7

Liquid propane LP	Btu/hr	kW
Normal burner	8,000	2.3
Power burner, rear	9,000	2.6
Power burner, front	19,500	5.7
Griddle plate	13,000	3.8
Oven top burner	20,150	5.9
Oven bottom burner	27,500	8.1
Total cooktop output	69,000	20.2
Maximum total output of Range	96,500	28.3

Burner ratings HR 1724-3 DF

Natural gas NG	Btu/hr	kW
Simmer burner	12,500	3.7
Power burner	19,500	5.7
Total cooktop output	71,000	20.8

Liquid propane LP	Btu/hr	kW
Simmer burner	12,500	3.7
Power burner	19,500	5.7
Total cooktop output	71,000	20.8

Burner ratings

Burner ratings HR 1924-3 DF

Natural gas NG	Btu/hr	kW
Simmer burner	12,500	3.7
Power burner	19,500	5.7
Total cooktop output	71,000	20.8

Liquid propane LP	Btu/hr	kW
Simmer burner	12,500	3.7
Power burner	19,500	5.7
Total cooktop output	71,000	20.8

Burner ratings HR 1934-3 DF

Natural gas NG	Btu/hr	kW
Simmer burner	12,500	3.7
Power burner, rear	13,600	4.0
Power burner, front	19,500	5.7
Total cooktop output	98,200	28.8

Liquid propane LP	Btu/hr	kW
Simmer burner	12,500	3.7
Power burner, rear	13,000	3.8
Power burner, front	19,500	5.7
Total cooktop output	97,000	28.4

Burner ratings HR 1935-3 DF

Natural gas NG	Btu/hr	kW
Simmer burner	12,500	3.7
Power burner, rear	13,600	4.0
Power burner, front	19,500	5.7
Grill	19,000	5.6
Total cooktop output	84,100	24.6

Burner ratings

Burner ratings HR 1936-3 DF

Natural gas NG	Btu/hr	kW
Normal burner	12,500	3.7
Power burner, rear	13,600	4.0
Power burner, front	19,500	5.7
Griddle plate	13,000	3.8
Total cooktop output	78,100	22.9

Liquid propane LP	Btu/hr	kW
Normal burner	12,500	3.7
Power burner, rear	13,000	3.8
Power burner, front	19,500	5.7
Griddle plate	13,000	3.8
Total cooktop output	77,500	22.7

Burner ratings HR 1954-3 DF

Natural gas NG	Btu/hr	kW
Simmer burner	10,000	2.9
Power burner, rear	13,600	4.0
Power burner, front	19,500	5.7
Total cooktop output	125,200	36.7

Liquid propane LP	Btu/hr	kW
Simmer burner	10,000	2.9
Power burner, rear	13,000	3.8
Power burner, front	19,500	5.7
Total cooktop output	124,000	36.3

Burner ratings

Burner ratings HR 1955-3 DF

Natural gas NG	Btu/hr	kW
Simmer burner	10,000	2.9
Power burner, rear	13,600	4.0
Power burner, front	19,500	5.7
Grill	19,000	5.6
Total cooktop output	111,100	32.6

Burner ratings HR 1956-3 DF

Natural gas NG	Btu/hr	kW
Normal burner	10,000	2.9
Power burner, rear	13,600	4.0
Power burner, front	19,500	5.7
Griddle plate	13,000	3.8
Total cooktop output	105,100	30.8

Liquid propane LP	Btu/hr	kW
Normal burner	10,000	2.9
Power burner, rear	13,000	3.8
Power burner, front	19,500	5.7
Griddle plate	13,000	3.8
Total cooktop output	104,500	30.6

Customer Service

Information to help you rectify faults yourself and about Miele spare parts can be found at www.miele.com/service.

Contact in the event of a fault

In the event of a fault which you cannot remedy yourself, please contact your Miele dealer or Miele Customer Service.

You can book a Miele Service Call online at www.miele.com/service.

Contact information for Miele Customer Service can be found at the end of this document.

Please quote the model identifier and serial number of your appliance (SN) when contacting Miele Customer Service. Both pieces of information can be found on the data plate.

Data plate

The data plate is located behind the toe kick panel. The toe kick panel is attached to the toe kick of the Range by magnets so it can be removed and put back again easily.

There you can find the model number, serial number and the connection data (voltage/frequency/maximum rated load) for your Range.

Have this information available if you need to contact Miele so that any issues can be rectified as quickly as possible.

Appliance warranty and product registration

You can register your product and/or view the manufacturer's warranty terms and conditions for Miele appliances and vacuum cleaners at www.mieleusa.com.

Disposal of the packing material

The cardboard box and packing materials protect the appliance during shipping. They have been designed to be biodegradable and recyclable.

Ensure that any plastic wrappings, bags, etc. are disposed of safely and kept out of the reach of children. Danger of suffocation!

Disposal of your old appliance

Electrical and electronic appliances contain valuable materials. They also contain certain substances, compounds and components which were essential for the proper functioning and safe use of the equipment. Handling these materials improperly by disposing of them in your household waste can be harmful to your health and the environment. Therefore, please do not dispose of your old appliance with regular household waste and follow local regulations on proper disposal.



Consult with local authorities, dealers or Miele in order to dispose of and recycle electrical and electronic appliances. Miele assumes no responsibility for deleting any personal data left on the appliance being disposed. Please ensure that your old appliance is kept away from children until removal. Observe safety requirements for appliances that may tip over or pose an entrapment hazard.

Copyrights and licenses

Miele uses their own and third party software which is not subject to any so-called open source license for the operation and control of the device/appliance. This software/these software components are protected by copyright. The copyright powers of Miele and third parties have to be respected.

Furthermore, this device/appliance contains software components which are distributed under open source license conditions. Please refer to [Settings | Legal information | Open source licenses](#) in the device/appliance for the open source components contained therein, together with the corresponding copyright notices, copies of the licensing conditions valid at the time, and any further information. The liability and warranty provisions of the open source licensing conditions as stated therein apply only in relation to the respective rights holders.

In particular, the device/appliance contains software components licensed by the copyright holders under the GNU General Public License, Version 2, or the GNU Lesser General Public License, Version 2.1. For a period of at least 3 years from the date of purchase or delivery of the device/appliance respectively, Miele offers to provide you or third parties with a machine-readable copy of the source code of the Open Source components contained in the device/appliance and licensed under the terms of the GNU General Public License, Version 2, or the GNU Lesser General Public License, Version 2.1, on a data carrier (CD-ROM, DVD or USB stick). Please contact us via e-mail (info@miele.com) or the below postal address and state the product name, the serial number and the date of purchase to obtain this source code.

Miele & Cie. KG
Open Source
GTZ/TIM
Carl-Miele-Straße 29
33332 Gütersloh

Please note the limited warranty in favor of the rights holders under the terms of the GNU General Public License, Version 2, and the GNU Lesser General Public License, Version 2.1:

This program is distributed in the hope that it will be useful, but WITHOUT ANY WARRANTY, without even the implied warranty of MERCHANTABILITY of FITNESS FOR A PARTICULAR PURPOSE. See the GNU General Public License and GNU Lesser General Public License for more details.

Copyrights and licenses for the communication module

For the purpose of operating and controlling the communication module, Miele uses proprietary or third-party software that is not covered by open source licensing terms. This software/ these software components are protected by copyright. The copyrights held by Miele and third parties must be respected.

This communication module contains software components which are distributed under open source license conditions. The open source components contained in the appliance along with the corresponding copyright notices, copies of the licensing terms valid at the time, and any additional information can be accessed locally via *http://<IP address>/Licenses*. The liability and warranty arrangements for the open source licenses displayed in this location only apply in relation to the respective rights holders.

Please have the model and serial number
of your appliance available when
contacting Customer Service.

U.S.A.

Miele, Inc.

National Headquarters

9 Independence Way
Princeton, NJ 08540
www.mieleusa.com

Customer Support

Phone: 888-99-MIELE (64353)
info@mieleusa.com

International Headquarters

Miele & Cie. KG
Carl-Miele-Straße 29
33332 Gütersloh
Germany

Canada

Importer
Miele Limited

Headquarters and Miele Centre

161 Four Valley Drive
Vaughan, ON L4K 4V8
www.miele.ca

Customer Care Centre

Phone: 1-800-565-6435
905-532-2272
customercare@miele.ca

HR 1421-3 E, HR 1422-3 i, HR 1622-3 i, HR 1124-3 AG,
HR 1134-3 AG, HR 1135-3 AG, HR 1136-3 AG, HR 1724-3 DF,
HR 1924-3 DF, HR 1934-3 DF, HR 1935-3 DF, HR 1936-3 DF,
HR 1954-3 DF, HR 1955-3 DF, HR 1956-3 DF