

HR 1934-3 G DF
36 inch range
Dual Fuel model with M Touch.



- Network-enabled WiFi appliance – Miele@home
- Plenty of space for cooking – six powerful burners
- Perfect baking and roasting results – Moisture plus
- Ergonomic and easy operation – motorized lift-up control panel
- Precise cooking temperature – Wireless Precision Probe

EAN: 4002516486770 / Material number: 11791570 / Old Material Number: 25193481USA

Heating type	
Dual fuel	•
Gas type	Natural gas
Design	
Range	•
Appliance width in inches	36
Operating modes	
Speed oven automatic programs	•
Maxi Broil	•
Defrost	•
Convection Bake	•
Convection Roast	•
Auto roast	•
Broil	•
Intensive Bake	•
Moisture Plus	•
Slow roast	•
Surround	•
Browning	•
Bake	•
Convection Roast	•
Special modes	•
Design	
Appliance color	Clean Touch Steel
Oven display	M Touch
Convenience features	
Wireless Precision Probe	•
Keep-warm function	•
Crisp function	•
Cooktop features	
Number of gas burners	6
Number of TrueSimmer burners x power in BTU	1 x 12 500 BTU/hod.
Number of power burners x power in BTU	2 x 13.60
Number of high burners x power in BTU	3 x 19.50
True Simmer function	•
GasStop	•
User convenience	
Networking with Miele@home	•
Precision knobs	•
Illuminated knob	•
ComfortSwivel handle	•
Motorized lift-up control panel	•
Time synchronization	•
Sabbath program	•
Automatic switch-off	•
Acoustic signal when desired temperature is reached	•
MultiLingua	•
MyMiele	•
Timed bursts of steam	•
Time of day display	•

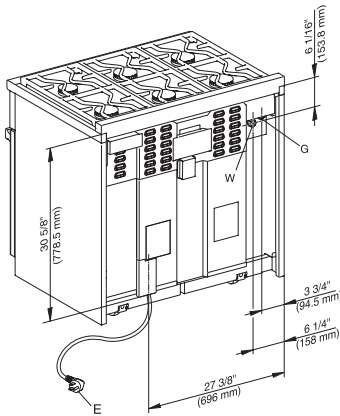
HR 1934-3 G DF
36 inch range
Dual Fuel model with M Touch.



EAN: 4002516486770 / Material number: 11791570 / Old Material Number: 25193481USA

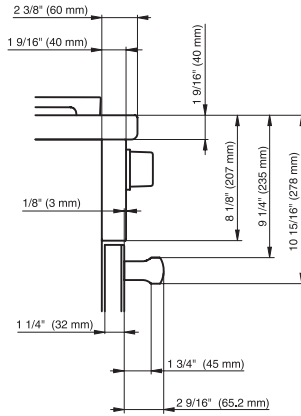
Date display	•
Minute minder	•
Programmable cooking time	•
Actual temperature display	•
Default temperature	•
Favorites	•
Individual settings	•
Appliance door	
CleanGlass door	•
Door contact switch	•
SoftClose oven door/ SoftOpen	•
Oven compartment	
Oven cavity volume in cu. ft. (l)	5.76 (163) ft ³ (l)
Number of oven shelf levels	6
No. of halogen lamps	double
TwinPower hot air fans	•
Efficiency and sustainability	
Energy-saving lighting circuit	•
Automatic residual heat utilization	•
Rapid PreHeat	•
Cleaning convenience	
Stainless-steel front with partial Clean Touch Steel finish	•
Oven with self-cleaning program	•
AirClean catalyzer	•
Catalyzer	heated
ComfortClean dishwasher-safe grates	•
Cooktop surface	Black enamel
Safety	
Appliance cooling system and cool touch front	•
Safety cut-out	•
System lock	•
Door contact switch	•
Door lock during self cleaning	•
Technical data	
Appliance height min in in.(mm)	37 1/8 (942)
Dimensions (depth) in in. (mm) with bullnose	27 3/4 (702)
Appliance height max in in.(mm)	38 5/8 (980)
Fresh water connection for Moisture Plus	•
Plumbed water connection for Moisture Plus	1.5
Appliance width in in. (mm)	36 1/8 (915)
Power Rating in V	120
Voltage in V	240/208
Number of phases	1
Fuse rating in A	30
Standard accessories	
Anti-splash insert	1
Self Clean ready baking and roasting rack	2
Self clean ready baking and roasting racks with rail system	1
Side racks self clean ready	1

HR 1934-3 G DF
36 inch range
Dual Fuel model with M Touch.



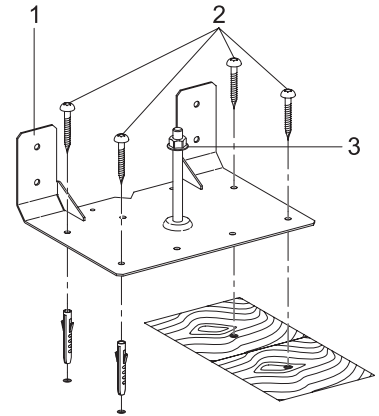
HR1934G, HR1934-2, HR1934-3 (installation drawing)

E = Electric Connection, W = Water connection, G = Gas connection



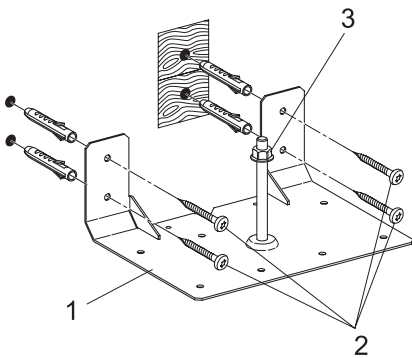
HR19x4, HR193x, HR195x (installation drawing)

(x) = Toe-kick height adjustment 5" – 6 1/2" (127 mm – 165.1 mm)



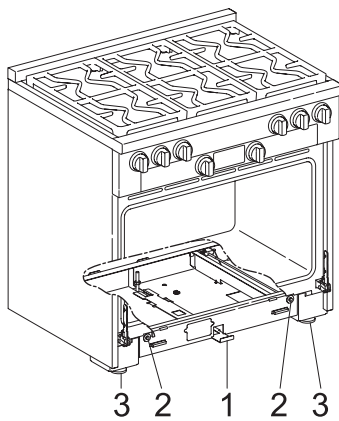
HR11xx, HR19xx, HR17xx – Installation drawing

1 Anti-tip device, 2 Screws, 3 Locking nut



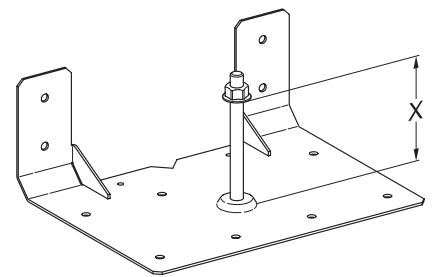
HR11xx, HR19xx – Installation drawing

1 Anti-tip device, 2 Screws, 3 Locking nut



HR11xx, HR19xx, HR17xx – Installation drawing

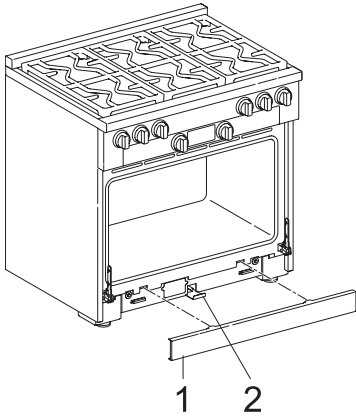
1 Anti-tip device, 2 Screws, 3 Locking nut



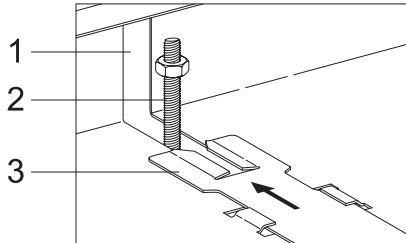
HR11xx, HR19xx, HR17xx – Installation drawing

X 3 13/16" (97 mm): HR1124, HR1134, HR1135, HR1136, HR1724, HR1924, HR1934, HR1935, HR1936, HR1954, HR1955, HR1956, X 3 1/4" (82 mm): HR1134-2, HR1134-3, HR1135-2, HR1135-3, HR1136-2, HR1136-3, HR1924-2, HR1924-3, HR1934-2, HR1934-3, HR1935-2, HR1935-3, HR1936-2, HR1936-3, HR1954-2, HR1954-3, HR1955-2, HR1955-3, HR1956-2, HR1956-3

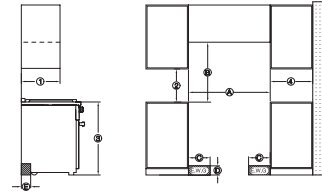
HR 1934-3 G DF
36 inch range
Dual Fuel model with M Touch.



HR11xx, HR19xx, HR17xx – Installation drawing
1 Toe kick cover , 2 Locking clamp

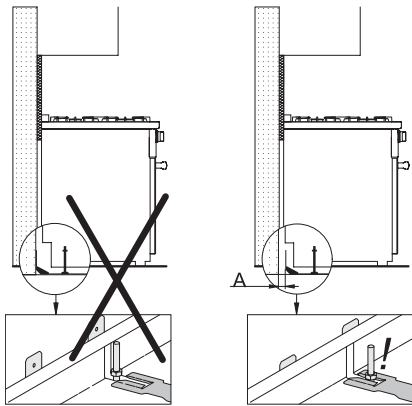


HR11xx, HR19xx, HR17xx – Installation drawing
1 Opening in the range housing , 2 Bolt of the anti-tip device , 3 Locking clamp with slot

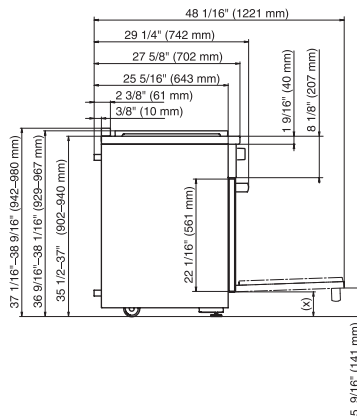


HR19xx – Installation drawing

Maximum depth of top cabinet , Minimum distance to bottom edge of top cabinet , Distance from the floor to cooktop surface , Minimum distance to combustible surfaces , , E = Electric connection, W = Water connection, G = Gas connection , (A) Width of cabinet opening, (B) Minimum distance between the top of the cooking area and the bottom of an unprotected combustible surface. Minimum distance to a protected combustible surface or when a Miele Ventilation Hood is installed. For all other Hoods please consult the manufacturer's specifications for required distances., (C) Maximum connection width right and left , (D) Maximum connection height , (E) Maximum connection depth

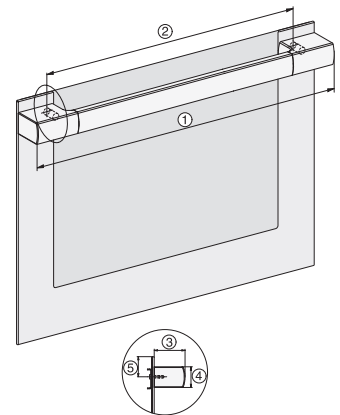


HR11xx, HR19xx, HR17xx – Installation drawing
A = Distance between the rear of the range to the supporting wall



HR1924-3, HR1934-3, HR1935-3, HR1936-3, Side view, installation drawing

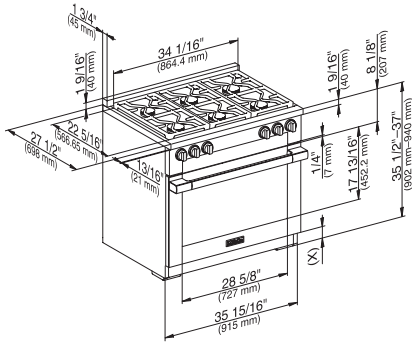
(x) = Toe-kick height adjustment 5" – 6 1/2" (127 mm – 165.1 mm)



HR11xx-3, HR14xx-3, HR16xx-3i, HR17xx-3, HR19xx-3 installation drawings

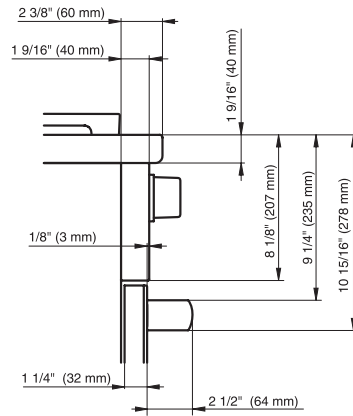
30", 20 3/4" / 527,6 mm, 16 5/8" / 422,6 mm, 2 1/2" / 64 mm, 1 11/16" / 43 mm, 1 11/16" / 42,5 mm, , 36", 28 9/16" / 725 mm, 22 5/8" / 575 mm, 2 1/2" / 64 mm, 1 11/16" / 43 mm, 1 11/16" / 42,5 mm

HR 1934-3 G DF
36 inch range
Dual Fuel model with M Touch.



HR1934-3 (installation drawing)

(x) = Toe-kick height adjustment 5" - 6 1/2" (127 mm - 165.1 mm)



HR1924-3, HR1934-3, HR1935-3, HR1936-3, HR1954-3,
HR1955-3, HR1956-3 (installation drawing)