

HR 1422-3 I

30" range

Induction with DirectSelect controls and TwinPower convection fans



- Turn dial operation with display – DirectSelect
- State-of-the-art cooktop technology – four induction cooking zones
- Fast heating time and even heat distribution – TwinPower
- Minimal cleaning effort – Self-cleaning
- Easy opening & closing – noise and vibration absorbers

EAN: 4002516755906 / Material number: 12298850 / Old Material Number: 25142281USA

<b>Heating type</b>	
Electric/Induction	•
Cooktop	Induction
<b>Design</b>	
Range	•
Appliance width in inches	30
<b>Operating modes</b>	
Maxi Broil	•
Convection Bake	•
Convection Roast	•
Surround	•
Bake	•
Convection Roast	•
<b>Design</b>	
Appliance color	Clean Touch Steel
Oven display	EasyControl
<b>Convenience features</b>	
Precise temperature control	75-575°F
<b>Cooktop features</b>	
Heating type	Induction
Number of induction cooking zones	4
Cooking zones with Booster function	4 cooking zones
Cooking zones with TwinBooster	2 cooking zones
Power level display	1 - 9
Cooking zones with keeping warm function	4 rings
Vario zone	4 rings
Residual heat indicator	•
<b>User convenience</b>	
Precision knobs	•
Automatic switch-off	•
Time of day display	•
Minute minder	•
Programmable cooking time	•
Individual settings	•
<b>Appliance door</b>	
CleanGlass door	•
Door contact switch	•
SoftClose oven door/ SoftOpen	•
<b>Oven compartment</b>	
Oven cavity volume in cu. ft. (l)	4.59 (130) ft <sup>3</sup> (l)
Number of oven shelf levels	6
No. of halogen lamps	double
TwinPower hot air fans	•
<b>Cleaning convenience</b>	
Stainless-steel front with partial Clean Touch Steel finish	•
Oven with self-cleaning program	•
Unheated catalyzer	•
Catalyzer	unheated
Cooktop surface	Ceramic surface

HR 1422-3 I

30" range

Induction with DirectSelect controls and TwinPower convection fans



EAN: 4002516755906 / Material number: 12298850 / Old Material Number: 25142281USA

#### Safety

Appliance cooling system and cool touch front	•
Safety cut-out	•
System lock	•
Door contact switch	•
Door lock during self cleaning	•

#### Technical data

Appliance height min in in.(mm)	35 5/8 (902)
Dimensions (depth) in in. (mm) with bullnose	27 3/4 (702)
Appliance height max in in.(mm)	37 1/8 (940)
Appliance width in in. (mm)	30 (762)
Power Rating in V	120
Voltage in V	240/208
Fuse rating in A	50
Number of phases	1

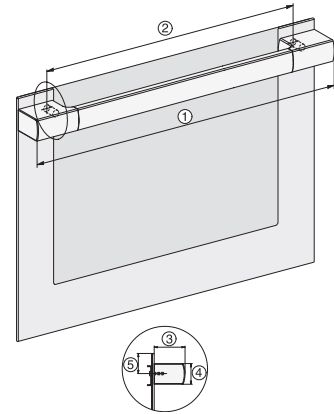
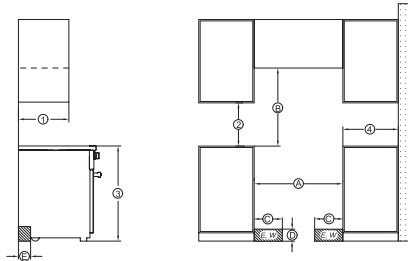
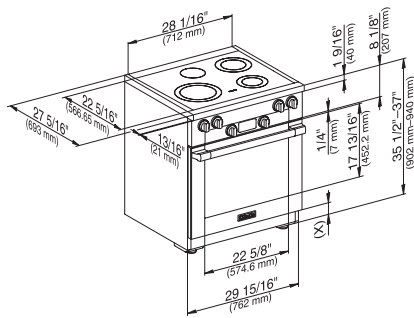
#### Standard accessories

Self Clean ready baking and roasting rack	1
Self clean ready baking and roasting racks with rail system	1
Side racks self clean ready	1

## HR 1422-3 I

30" range

Induction with DirectSelect controls and TwinPower convection fans



HR1421, HR1421-3, HR1422-3 i (installation drawing)

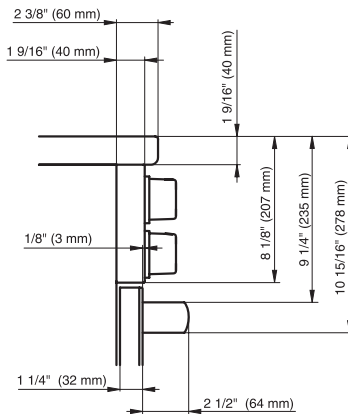
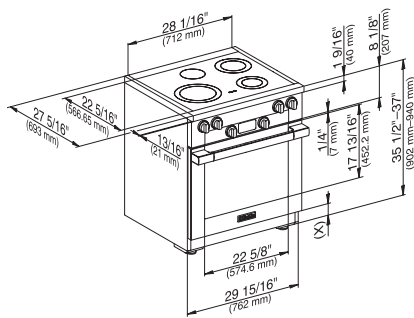
E = Electric connection

HR1421, HR1622, HR1622-2, HR1421-3, HR1422-3i, HR1622-3i – Installation drawing

Maximum depth of top cabinet , Minimum distance to bottom edge of top cabinet , Distance from the floor to cooktop surface , Minimum distance to combustible surfaces , , E = Electric connection , W = Water connection , (A) Width of cabinet opening , (B) Minimum distance between the top of the cooking area and the bottom of an unprotected combustible surface., Minimum distance to a protected combustible surface or when a Miele Ventilation Hood is installed. For all other Hoods please consult the manufacturer's specifications for required distances., (C) Maximum connection width right and left , (E) Maximum connection height

HR11xx-3, HR14xx-3, HR16xx-3i, HR17xx-3, HR19xx-3 installation drawings

30", 20 3/4" / 527,6 mm, 16 5/8" / 422,6 mm, 2 1/2" / 64 mm, 1 11/16" / 43 mm, 1 11/16" / 42,5 mm, , 36", 28 9/16" / 725 mm, 22 5/8" / 575 mm, 2 1/2" / 64 mm, 1 11/16" / 43 mm, 1 11/16" / 42,5 mm



HR1421-3, HR1422-3i (installation drawing)

(x) = Toe-kick height adjustment 5" – 6 1/2" (127 mm – 165.1 mm)

HR1421-3, HR1422-3i (installation drawing)