

Installation
GUIDE

Professional® Series Chimney Wall Hoods

HPCN36WS HPCN48WS



Table of contents

1 IMPORTANT SAFETY INSTRUCTIONS.....	3
1.1 Safety definitions.....	3
1.2 General information.....	3
1.3 General safety instructions.....	3
1.4 Safety codes and standards.....	5
1.5 State of California Proposition 65 Warnings	5
2 Before you begin.....	6
2.1 Important notes	6
2.2 Distance from cooking surface	6
2.3 Parts included	6
2.4 Tools and parts needed	6
3 Installation requirements and clearances.....	7
3.1 Appliance dimensions	7
3.2 Clearances.....	8
3.3 Hood width	8
3.4 Distance from cooking surface	8
3.5 Unit weight	8
3.6 Support structure	8
3.7 Venting.....	8
3.8 Electrical requirements.....	8
4 Preparing the installation	10
4.1 Ductwork preparation	10
4.2 Choosing the correct blower.....	12
4.3 Hood transition.....	13
5 Installation.....	13
5.1 Installation height	13
5.2 Wiring preparation.....	14
5.3 Back wall preparation.....	15
5.4 Hanging the chimney wall hood	15
5.5 Blower motor installation	16
5.6 Make-up air damper relay switch (optional).....	19
5.7 Built-in remote control accessory (optional).....	19
5.8 Duct cover extension (optional).....	20
5.9 Installing the grease trays and filters	22
6 Installer checklist.....	23
7 Customer Service	23
7.1 Model number (E-Nr.) and production number (FD)	24
7.2 Rating plate location.....	24
7.3 Product registration	24



IMPORTANT SAFETY INSTRUCTIONS

READ AND SAVE THESE INSTRUCTIONS

Read all of the instructions carefully before using the appliance. In order to reduce the risk of fire, electric shocks and personal injuries when using the appliance, follow the basic safety precautions, including the following safety instructions.

1.1 Safety definitions

Here you can find explanations of the safety signal words used in this manual.

WARNING

This indicates that death or serious injuries may occur as a result of non-observance of this warning.

CAUTION

This indicates that minor or moderate injuries may occur as a result of non-observance of this warning.

NOTICE:

This indicates that damage to the appliance or property may occur as a result of non-compliance with this advisory.

Note: This alerts you to important information and/or tips.

1.2 General information

All product manuals may be downloaded online at www.thermador.com/us/support/owner-manuals.

INSTALLER: Please leave these instructions with this unit for the owner.

OWNER: Please retain these instructions for future reference. Read all safety instructions before operating the appliance. Have the installer show you where the electric circuit breaker is located so you know how and where to turn off the electricity to the appliance.

1.3 General safety instructions



WARNING: If the information in this manual is not followed exactly, a fire or explosion may result causing property damage, personal injury or death.

- DO NOT store or use gasoline or other flammable vapors and liquids in the vicinity of this or any other appliance.
- WHAT TO DO IF YOU SMELL GAS
 - DO NOT try to light any appliance.
 - DO NOT touch any electrical switch.
 - DO NOT use any phone in your building.
 - Immediately call your gas supplier from a neighbor's phone. Follow the gas supplier's instructions.
 - If you cannot reach your gas supplier, call the fire department.
- Installation and service must be performed by a qualified installer, service agency or the gas supplier.

WARNING

Turn off power circuit at service panel and lock out panel before wiring this appliance. Requirement: 120 VAC, 60 Hz, 15 A or 20 A for some models. Allow the appliance to cool after the power has been turned off before servicing the appliance.

WARNING

Automatically operated device

- ▶ To reduce the risk of injury disconnect from power supply before servicing.

WARNING

TO REDUCE THE RISK OF FIRE, ELECTRIC SHOCK, OR INJURY TO PERSONS, OBSERVE THE FOLLOWING:

- ▶ Use this unit only in the manner intended by the manufacturer. If you have questions, contact the manufacturer.
 - "Customer Service", Page 23
- ▶ Before servicing or cleaning the unit, switch power off at service panel and lock service panel. This will prevent power from being switched on accidentally.



IMPORTANT SAFETY INSTRUCTIONS

READ AND SAVE THESE INSTRUCTIONS

When the service panel cannot be locked, securely fasten a prominent warning device, such as a tag to the service panel.

Do not repair, replace or remove any part of the appliance unless specifically recommended in the manuals. Improper installation, service or maintenance can cause injury or property damage.

- ▶ Refer to this manual for guidance.
- ▶ All other servicing should be done by an authorized service provider.

WARNING



ELECTRIC SHOCK HAZARD

- ▶ Disconnect power before installing or servicing. Before turning power ON, be sure that all controls are in the OFF position.
- ▶ DO NOT remove connections.
- ▶ DO NOT use an extension cord.
- ▶ Improper grounding can result in a risk of electric shock.
- ▶ Failure to follow these instructions can result in death, fire, or electrical shock.

GROUNDING INSTRUCTIONS

- ▶ This appliance must be grounded.
- ▶ Grounding reduces the risk of electric shock by providing a safe pathway for electric current in the event of a short circuit.
- ▶ Be sure your appliance is properly installed and grounded by a qualified technician.
- ▶ Installation, electrical connections and grounding must comply with all applicable codes.
- If required by the National Electrical Code (or Canadian Electrical Code), this appliance must be installed on a separate branch circuit.

WARNING

To reduce the risk of fire or electric shock, do not use this appliance with any solid-state speed control device.

WARNING

TO REDUCE THE RISK OF FIRE, ELECTRIC SHOCK, OR INJURY TO PERSONS, OBSERVE THE FOLLOWING.

- ▶ Installation work and electrical wiring must be done by qualified person(s) in accordance with all applicable codes and standards, including fire-rated construction.

- ▶ Sufficient air is needed for proper combustion and exhausting of gases through the flue (chimney) of fuel burning equipment to prevent back drafting. Follow the heating equipment manufacturer's guideline and safety standards such as those published by the National Fire Protection Association (NFPA), and the American Society for Heating, Refrigeration and Air Conditioning Engineers (ASHRAE), and the local code authorities.
- ▶ When cutting or drilling into wall or ceiling, do not damage electrical wiring and other hidden utilities.
- ▶ Ducted fans used to exhaust contaminants must always be vented to the outdoors.
- ▶ **USE ONLY METAL DUCTWORK.**
- ▶ **DO NOT** vent exhaust air in spaces with walls or ceilings or into attics, crawl spaces or garages.

CAUTION

For general ventilating use only.

- ▶ To avoid a fire or explosion hazard, do not use to exhaust hazardous or explosive materials and vapors.

WARNING

Never modify or alter the construction of the appliance.

WARNING

Remove all tape and packaging before using the appliance.

- ▶ Dispose of packaging in an environmentally responsible manner.
- ▶ Never allow children to play with packaging material.

WARNING



Unit is heavy and requires at least two people or proper equipment to move and install.

WARNING



Hidden surfaces may have sharp edges.

- ▶ Use caution when reaching behind or under appliance.

CAUTION

An outside fan is to be mounted behind louvers or in a location where the entrance of drawn in water is unlikely.

If provided with an electrical plug, connect the hood to a receptacle that complies with current regulations and placed in an accessible position. Where an electrical plug is not provided (direct connection to electrical network) or



IMPORTANT SAFETY INSTRUCTIONS

READ AND SAVE THESE INSTRUCTIONS

the plug will not be in an accessible position after installation, place an approved bipolar switch in accessible position that provides full disconnection under overvoltage category III conditions, in accordance with local wiring rules.

1.4 Safety codes and standards

This appliance complies with the latest version of one or more of the following standards:

- UL 507 - Electric Fans
- CAN/CSA C22.2 No. 113 - Fans and Ventilators

It is the responsibility of the owner and the installer to determine if additional requirements and/or standards apply to specific installations.

1.5 State of California Proposition 65 Warnings

This product may contain a chemical known to the State of California, which can cause cancer or reproductive harm. Therefore, the packaging of your product may bear the following label as required by California:

STATE OF CALIFORNIA PROPOSITION 65 WARNING:



WARNING

Cancer and Reproductive Harm - www.P65Warnings.ca.gov

2 Before you begin

Read these instructions before you begin to install your appliance.

2.1 Important notes

⚠ WARNING

Improper installation of gas appliances and ventilation hoods can create a risk for carbon monoxide which can be harmful. To reduce the risk of carbon monoxide poisoning, ensure the gas appliance is properly installed according to the manufacturer's instructions, as well as ensuring the hood is vented to the outside for proper exhausting of gases or fumes.

- Gas cooking appliances release carbon monoxide that can be harmful or fatal if inhaled. To reduce the risk of fire and to properly exhaust air, the exhaust gases extracted by the hood should be vented outside of the building only.
- Consult local building codes for requirements or restrictions related to installation of ventilation products in recirculation mode.
- Hood installation height above a cooktop, rangetop or range can vary. To obtain the necessary installation height above a cooktop, rangetop or range, consult the appliance's installation manual or combination matrix.

NOTICE:

The hood can be damaged from excessive heat if a range or rangetop is operated with multiple burners at high settings under a hood that is installed at minimum clearances and is turned off.

2.2 Distance from cooking surface

The installation height above a cooktop, rangetop or range is recommended as a minimum height of 30" (762 mm); however, it is necessary to follow the cooking appliance manufacturer's installation instructions for proper hood height.

Refer to local building codes for the latest requirements or restrictions when installing ventilation products in recirculation mode.

2.3 Parts included

After unpacking all the parts, check for any damage in transit and for completeness of delivery.

- Metal transition with backdraft damper
- Baffle filters
- Grease trays
- Blower adapter
- Wood support bracket used as hood mounting bracket (needed for installation - DO NOT THROW AWAY)
- Literature packet with fastener assortment
Hardware provided is for mounting through standard thickness drywall or plaster into wood studs. Installers are responsible to provide hardware for other types of mounting situations.

2.4 Tools and parts needed

Prepare these tools and accessories before you start to install your appliance.

- Blower (Refer to the Ventilation Planning Guide for compatible blowers)
- Ducting as needed (Refer to table Equivalent duct lengths for commonly used transitions. → *Page 11*)
- Aluminum tape (DO NOT use insulating or cloth duct tape)
- ½" (13 mm) conduit if required
Follow local codes
- 1" (25.4 mm) strain relief
- Cross head screwdriver
- T20 star bit screwdriver
- 1½" nut driver or socket and ratchet
- Drill with ⅜" (4.76 mm) drill bit
- Wire stripper
- Measuring tape
- Pencil
- Level
- Safety gloves

IMPORTANT: DO NOT throw away any packaging until appliance is fully installed.

Optional accessories available for separate purchase

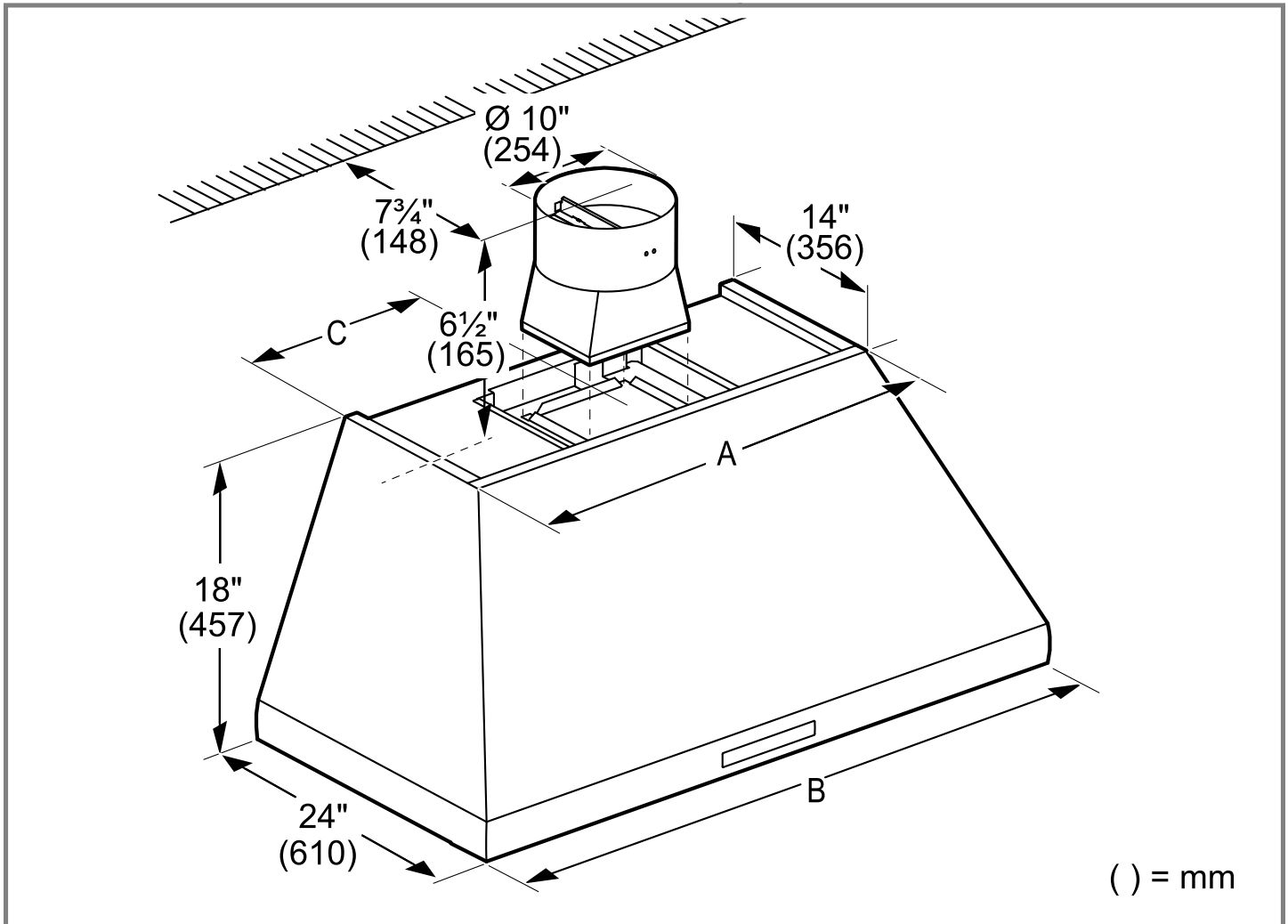
Refer to www.thermador.com for details.

Accessory	Description
EXTNCB25W	25 ft. remote and in-line blower extension cable
EXTNSET4	25 ft. remote and in-line blower extension cable adapter kit
CHMHP**W	6" tall duct cover
CHMHP**TW	18-35" tall telescoping duct cover
CHMHP**XTW	42-59" extended telescoping duct cover
RFPLT600P	Roof plate for use with <ul style="list-style-type: none"> ■ 600 CFM remote blower VTR630
RFPLT1000P	Roof plate for use with <ul style="list-style-type: none"> ■ 1000 CFM remote blower VTR1030 ■ 1300 CFM blower VTR1330
REMCPW	Remote control panel

3 Installation requirements and clearances

3.1 Appliance dimensions

This model series is 24" (610 mm) in depth and features brushed stainless-steel canopy with LED lights.



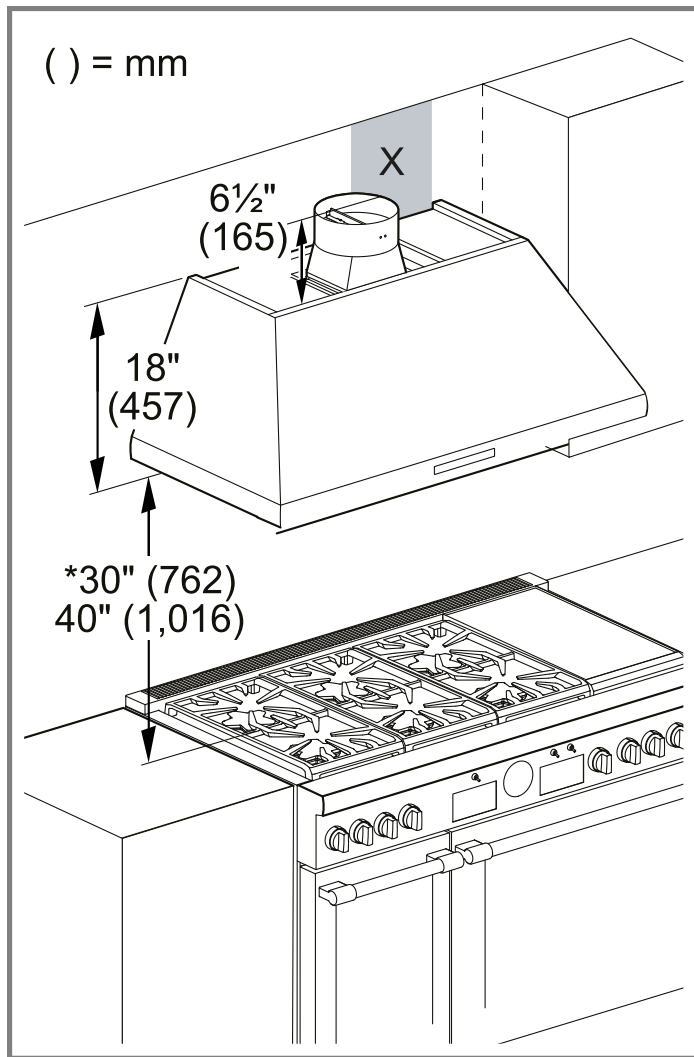
	36" (914 mm)	48" (1,219 mm)
A	21" (533 mm)	33" (838 mm)
B	35 ¹⁵ / ₁₆ " (913 mm)	47 ¹⁵ / ₁₆ " (1,218 mm)
C	10 ¹ / ₂ " (165 mm)	16 ¹ / ₂ " (419 mm)

Note: The transition is centered horizontally.

IMPORTANT: The hood needs to be centered over the cooking surface for best performance.

3.2 Clearances

Hood installation height above a cooktop, rangetop or range can vary. To obtain the necessary installation height above a cooktop, rangetop or range, consult the appliance's installation manual.



X Electrical zone

*Follow cooking appliance manufacturer's recommendations.

3.3 Hood width

- The hood width should be no less than the width of the cooking surface. For proper performance, the housing must cover the entire cooking surface.
- For proper performance, the hood must be centered horizontally above the cooking surface. Where space is not restricted, a wider hood can be used to increase capture area.

3.4 Distance from cooking surface

- Hood installation height above a cooktop, rangetop or range can vary.

- The installation height ranges from a minimum height of 30" (762 mm) to a suggested maximum height of 40" (1,016 mm). However, it is necessary to follow the cooking appliance manufacturer's installation instructions for proper hood height.

NOTICE:

The hood could incur some damage from heat if a Thermador Professional® Series range or rangetop is operated with multiple burners at high settings under a hood that is installed at minimum clearances while the hood is turned off.

3.5 Unit weight

- This vent hood is heavy. Adequate structure and support must be provided in all types of installations.
- When calculating the load for the housing support system, be sure to consider the weight of the ventilation unit.

Description	Weight
HPCN36WS	57 lbs (26 kg)
HPCN48WS	73 lbs (33 kg)
Integral blower model VTN2FZ	19 lbs (8.6 kg)
Integral blower model VTN2DA	14 lbs (6.3 kg)

NOTICE:

The supplied weights address only the ventilation unit and blower. The installer must account for weight of any materials of construction when calculating the total dead weight load of installation, including but not limited to: wall, tile, mortar, plaster, brick, finishes, partitions, and other similarly incorporated architectural and structural items. It is the responsibility of the owner and the installer to determine if additional requirements and/or standards apply to specific installations.

3.6 Support structure

- Due to the weight of the hood, make sure the wood mounting bracket is attached to all available wall studs.
- Framing must be fastened together and to ceiling joists to provide enough structural strength to support the weight of the hood and internal blower, if applicable.
- Wall framing should be made of 2"x 4" lumber at minimum. Proper structural support is required to accommodate the weight of the hood.

3.7 Venting

- The hood requires the ducting to be vented to the exterior of the building.

3.8 Electrical requirements

⚠ WARNING

This appliance must be properly grounded.

- The appliance requires a 120V AC, 60Hz, 15A branch circuit.


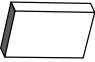
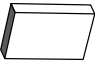

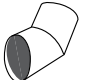
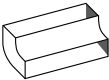


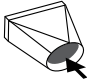
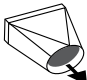
- The VTN2FZ and VTN2DA blowers in conjunction with a PHxxGWS require a 20A circuit breaker.
- The appliance should only be connected to a dedicated circuit (with ground) that has been installed according to relevant regulations.
- When connected to a GFCI-protected supply, Thermador Professional® Series hoods are suitable for use in damp locations that are protected from outside weather conditions and not subject to saturation with water and other liquids, but can be subject to moderate degrees of moisture, such as an outdoor covered patio or lanai area. Refer to local codes, NEC/CEC, and/or the Authority Having Jurisdiction (AHJ) for additional information.
- Check your local building codes for proper method of installation. This appliance should be installed in accordance with applicable local codes or, in the absence of local codes, with the National Electrical Code, NFPA 70 or the Canadian Electric Code, CSA C22.1-02.
- The 25 ft. remote and in-line blower extension cable accessory (EXTNCB25W) will only work for distances up to 25 ft. The accessory cable must be purchased separately. **DO NOT** use more than one blower extension cable per installation.
- **Electrical data:**
Refer to the rating plate for product data, including the model and serial number.
- If provided with an electrical plug, connect the hood to a receptacle that complies with current regulations and placed in an accessible position. Where an electrical plug is not provided (direct connection to electrical network) or the plug will not be in an accessible position after installation, place an approved bipolar switch in accessible position that provides full disconnection under overvoltage category III conditions, in accordance with local wiring rules.

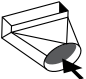
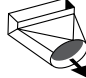
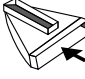
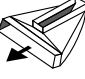
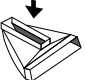



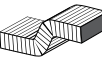
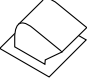
4 Preparing the installation

4.1 Ductwork preparation

- The exhaust air is discharged upwards through a duct or directly through the outside wall into the open.
- The appliance can be mounted on the wall only with a vertical discharge.
- Proper performance is dependent upon proper ducting. Local building codes may require the use of make-up air systems when using ducted ventilation systems greater than specified cubic feet per minute (CFM) of air.
- The specified CFM varies from locale to locale. It is the responsibility of the owner and the installer to determine if additional requirements and/or standards apply to specific installations.
- **DO NOT USE FLEXIBLE DUCT**; it creates back pressure/air turbulence and reduces performance.
- Always install a metal vent cover where the ductwork exits the house.
- The appliance must be vented to the outside of the building only.
- **COLD WEATHER** installations should have an additional backdraft damper installed to minimize backward cold air flow and a nonmetallic thermal break to minimize conduction of outside temperatures as part of the ductwork. The damper should be on the cold air side of the thermal break. The break should be as close as possible to where the ducting enters the heated portion of the house.
- **MAKE-UP AIR:** Local building codes may require the use of make-up air systems when using ducted ventilation systems greater than specified CFM of air movement. The specified CFM varies from locale to locale. It is the responsibility of the owner and the installer to determine if additional requirements and/or standards apply to specific installations.
- To reduce risk of fire and to properly exhaust air, be sure to duct air outside. Do not vent exhaust air in spaces with walls or ceilings or into attics, crawl spaces or garages.
- Thermador recommends not exceeding 50 ft (15.24 m) equivalent of duct.
- Keep duct runs as short and straight as possible. Elbows and transitions fittings reduce air flow efficiency. Back to back elbows and “S” turns give very poor delivery and are not recommended.
- A short, straight length of duct at the inlet of a remote blower gives the best delivery.
- Hoods are supplied with a 10" (254 mm) transition. A locally supplied transition is required for other sizes.
- Use the “Equivalent duct lengths for commonly used transitions” table to compute permissible lengths for duct runs to outdoors. → *Page 11*

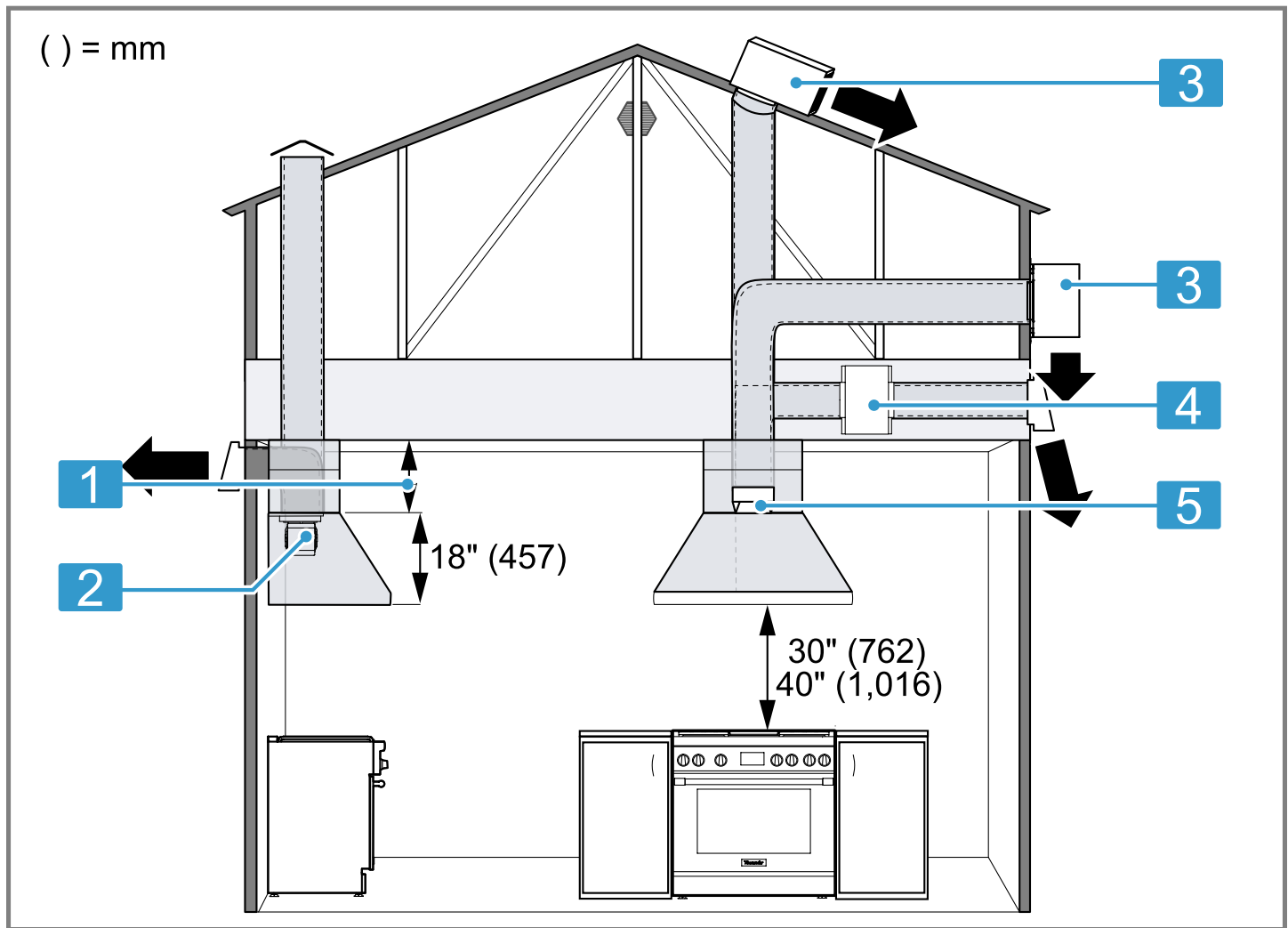
Equivalent duct lengths for commonly used transitions

Duct piece	Size (in)	Equivalent length (ft)
 Smooth, straight	6	1.2
	8	0.7
	10	0.6
 3 1/4" x 10", straight	N/A	1
 3 1/4" x 14", straight	N/A	0.7
 90° elbow, round	6	12
	8	6
	10	5
 45° elbow, round	6	5
	8	3
	10	2
 3 1/4" x 10", 90° elbow, round	N/A	5
 3 1/4" x 10", 45° elbow, round	N/A	15
 3 1/4" x 10", flat elbow	N/A	20
 Round to 3 1/4" x 10"	6	1
	8	10
 3 1/4" x 10" to round	6	5
	8	2

Duct piece	Size (in)	Equivalent length (ft)
 Round to 3 1/4" x 10" 90° elbow	6	10
 3 1/4" x 10" to round 90° elbow	6	10
 3 1/4" x 10", center reverse elbow, left	N/A	15
 3 1/4" x 10", center reverse elbow, right	N/A	25
 3 1/4" x 10", left reverse elbow	N/A	15
 3 1/4" x 10", right reverse elbow	N/A	25
 Round wall cap	6	2
	8	2
	10	2
 Round roof cap	6	2
	8	2
	10	2
 2' long, 3 1/4" x 10" flex	N/A	20
 3 1/4" x 10", roof jack and shutter	N/A	2

Note: These commonly used installation parts can be purchased at a local hardware store. Thermador does not manufacture all these parts.

Common ducting configurations



- | | |
|---|---------------------------------|
| 1 | Varies |
| 2 | Integral blower |
| 3 | Remote blower |
| 4 | Inline blower |
| 5 | Back-draft damper on transition |

Note: The figure does not represent all configurations or installation methods. The image is to be used as a guide ONLY.

4.2 Choosing the correct blower

All blower models are sold separately. It is recommended to use only Thermador blowers with Thermador Pro ventilation hoods. See the "Ventilation Planning Guide" for recommended blowers. Contact Customer Service for additional options.

→ "Customer Service", Page 23

You can purchase integral, in-line and remote blowers through your authorized Thermador dealer. For local dealer information, visit the "Find a Dealer" section at www.thermador.com.

The blower performance options vary in cubic feet per minute (CFM). The required performance is dictated by the cooking surface, the volume of air that needs to be moved and the length of the duct run. For long duct runs with multiple turns and bends, consider using a more powerful blower. For the most efficient air-flow exhaust, use a straight run or as few elbows as possible.

→ "Ductwork preparation", Page 10

Blower options

Description	SKU
Remote blower Mounted to roof or external wall	VTR2FZ
In-line blower Mounted between kitchen and external wall	VTI2FZ
Integrated blower Mounted inside the hood	VTN2FZ VTN2DA

25 ft. remote and in-line blower extension cable

The accessory cable must be purchased separately. DO NOT use more than one extension cable per installation.

Description	SKU
25 ft. remote and in-line blower extension cable Available to connect the hood to the inline and remote blowers for distances up to 25 ft.	EXTNCB25W

4.3 Hood transition

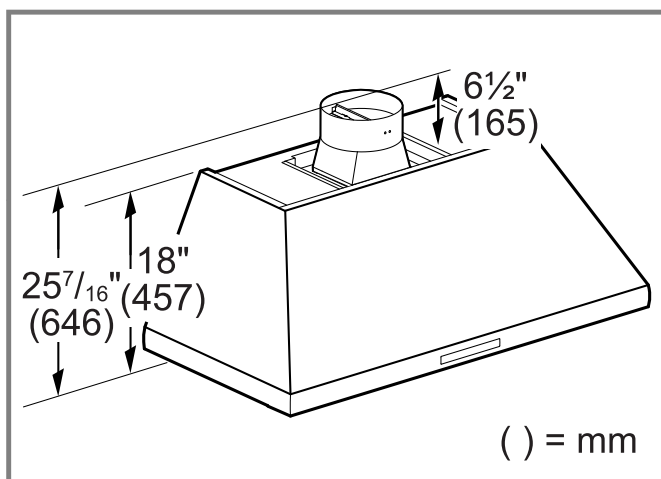
Discharge direction

The exhaust air is discharged upwards through a duct or directly through the outside wall into the open. The hood can be mounted on the wall only with a vertical discharge.

Attaching the hood transition

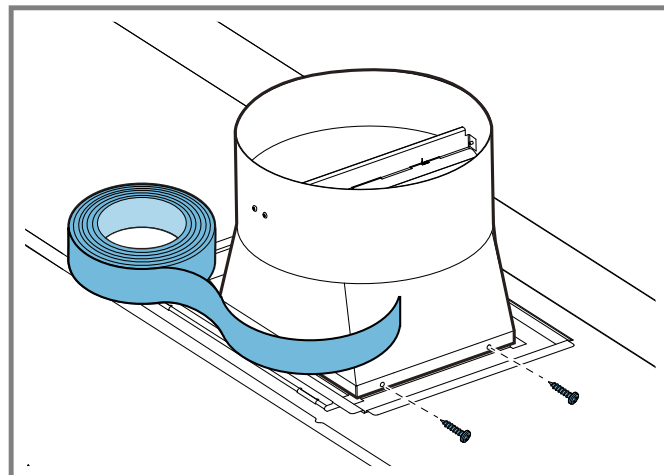
Your hood is supplied with a 10" (254 mm) round transition. A locally supplied transition is required for other sizes.

1. A minimum height clearance of 6½" (165 mm) is needed above the hood for transition mounting.



2. Align the mounting holes at the base of the transition over the mounting holes of the ½" (13 mm) flange located at the top of the hood.
 3. Fasten the transition to the hood using four (4) ¼" (6 mm) sheet metal screws included with the hood.
- Note:** Make sure the screws do not hinder the damper operation.

4. Seal the connection between transition and hood with aluminum tape. DO NOT use duct tape. Ensure that the connection is completely sealed.



5. Remove the tape that is holding the damper closed.

5 Installation

⚠ WARNING

Before installing, turn power OFF at the service panel.

- ▶ Lock service panel to prevent power from being turned ON accidentally.

5.1 Installation height

Installation height above cooking surface:

- Minimum height: 30" (762 mm)
- Suggested maximum height: 40" (1,016 mm)

NOTICE:

Always follow the cooking appliance manufacturer's installation instructions for proper installation height.

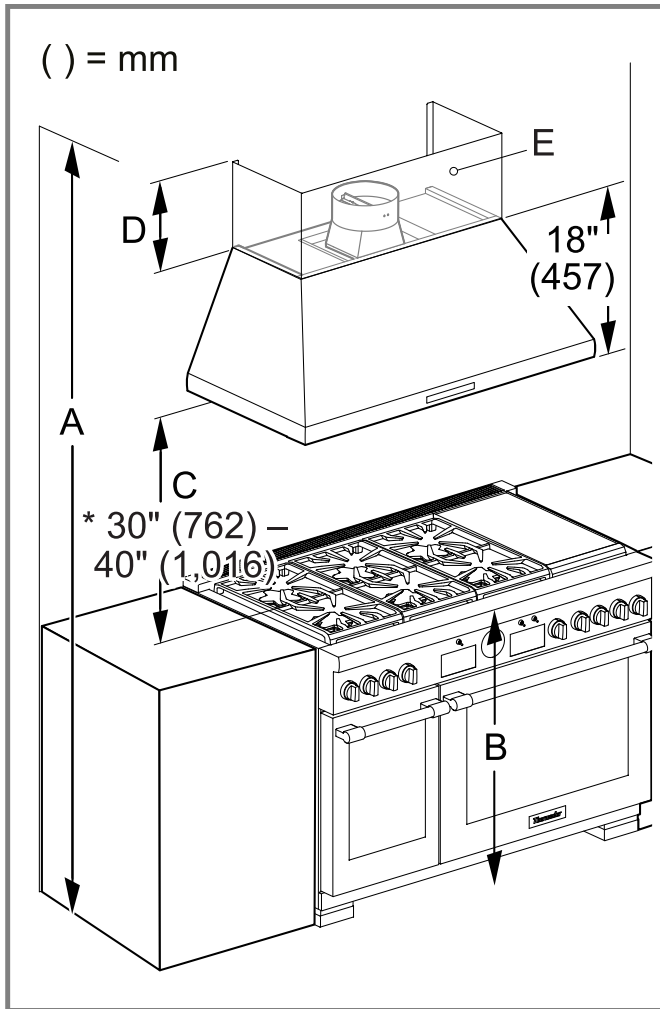
Calculating the optional chimney extension height

Optional chimney extensions are available for purchase in 6" (153 mm) and 18" – 35" (457 – 889 mm) sizes to cover the space between the top of the hood and the ceiling. Take the measurements indicated in the following image at your installation location.

NOTICE:

The hood could incur some damage from heat if a Thermador Professional® series range or rangetop is operated with multiple burners at high settings under a hood that is installed at minimum clearances while the hood is turned off.

1. Measure the height from floor to ceiling (A).
2. Measure the height from floor to cooking surface (B).
3. Measure the hood mounting height from the bottom of the hood to the cooking surface (C). Dimension must be a minimum 30" (762 mm).
4. Calculate the optional duct cover height (D):
 - $D = A - (B + C + 18")$.



*Follow cooking appliance manufacturer's recommendations.

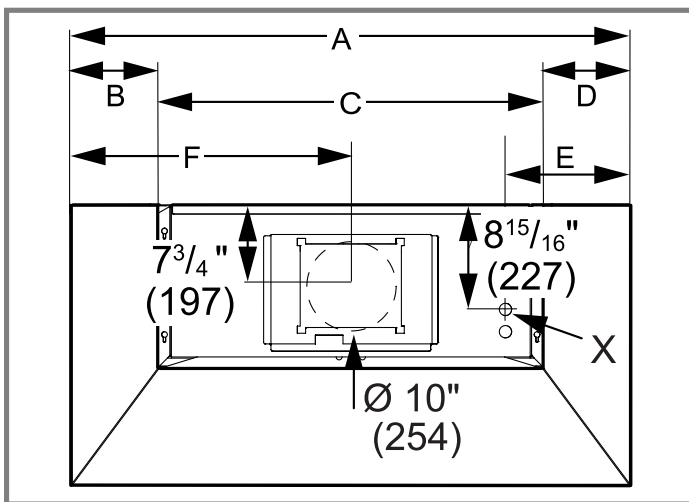
5.2 Wiring preparation

IMPORTANT: Cutting off a connector to the appliance, blower, or to the extension cable kit will void the warranty. Ensure wiring does not interfere with optional chimney duct cover, where the cover touches the wall.

Ceiling cutout

- The junction box is located on the top right side of the hood.
- Wiring should enter at least 20" (508 mm) above the bottom of the installation height.
- Prepare the wire hole cutout in the ceiling with a $\frac{5}{8}$ " (16 mm) diameter clearance hole for a $\frac{1}{2}$ " (12.7 mm) conduit to the junction box.

Chimney hood top view



	HPCN36WS	HPCN48WS
A	35 ¹⁵ / ₁₆ " (913)	47 ¹⁵ / ₁₆ " (1,218)
B	7 ¹ / ₂ " (190)	7 ¹ / ₂ " (190)
C	21" (533)	33" (838)

	HPCN36WS	HPCN48WS
D	7½" (190)	7½" (190)
E	9⅝" (244)	10⅞" (268)
F	18" (457)	24" (610)

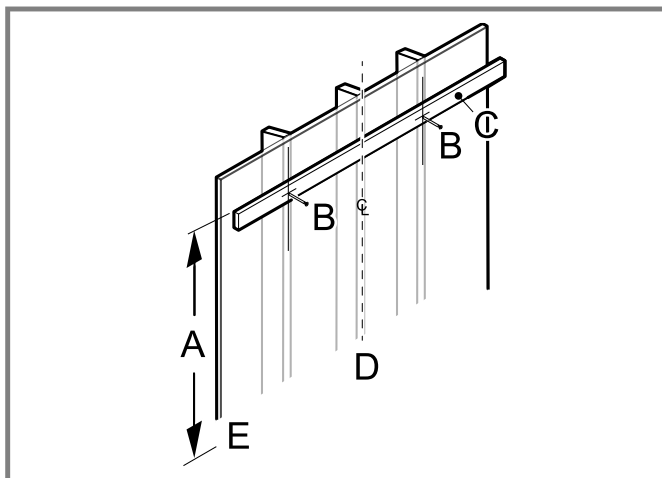
5.3 Back wall preparation

IMPORTANT: The hood needs to be centered over the cooking surface for best performance.

Note: The hardware provided is for mounting through standard thickness drywall or plaster into wood studs. Installers are responsible to provide hardware for other types of mounting situations.

Hanging the wood support bracket

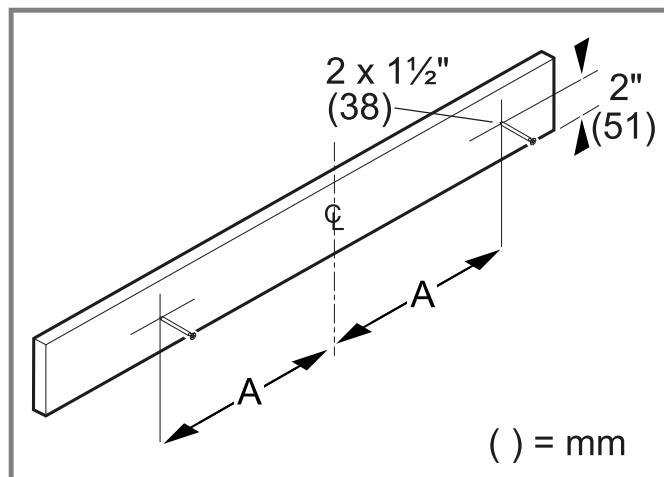
1. Turn power OFF at the service panel. Lock service panel to prevent power from being turned ON.
2. Calculate the hood installation height as described.
→ Page 13
3. Draw a horizontal line at a distance above the cooking surface equal to the hood installation height plus 16" (406 mm). This line is the mounting location of the wood bracket shipped with the hood.



A	Distance to cooking surface plus 16" (406 mm)
B	3" (76 mm) screws
C	Wood bracket (included)
D	Cooktop centerline
E	Cooking surface

4. Find the centerline of the hood. Draw a vertical line along this centerline up to the horizontal line drawn in the previous step.
5. The hood is mounted to the wall using the wood bracket shipped with the hood. Remove the wood bracket located at the back side of the hood by removing the two shipping screws. Discard the shipping screws.
6. Mark the centerline of the wood bracket.
7. Locate a stud on both sides of the hood centerline to use for mounting the wood bracket.

8. Align the top of the wood bracket along the horizontal line drawn earlier. Align the centerlines of the bracket and cooktop.
9. Drill a 3" (76 mm) deep ¼" (6 mm) tap hole through the wood bracket, wall, and into the stud.
10. Remove the bracket and place it on a sturdy surface. Make the hole larger by drilling a ⅝" (8 mm) hole through the wood bracket. Use a countersink bit to make a hole large enough to countersink the screw heads to prevent interference with the hood.
11. Use two (2), 3" (76 mm) screws to attach the wood bracket to the wall.
12. On the wood bracket, mark the locations used to hang the hood as shown.



Hood size	A
36" (914 mm)	7¾" (197 mm)
48" (1,219 mm)	13¾" (350 mm)

13. Drill a ⅜" (4.8 mm) tap hole through the wood bracket and wall. These ⅝" (16 mm) screws do not need to go into the studs.
14. Use two (2) 1½" (38 mm) screws to secure the wood bracket leaving ¼" (6 mm) of each screw exposed for hanging the hood.

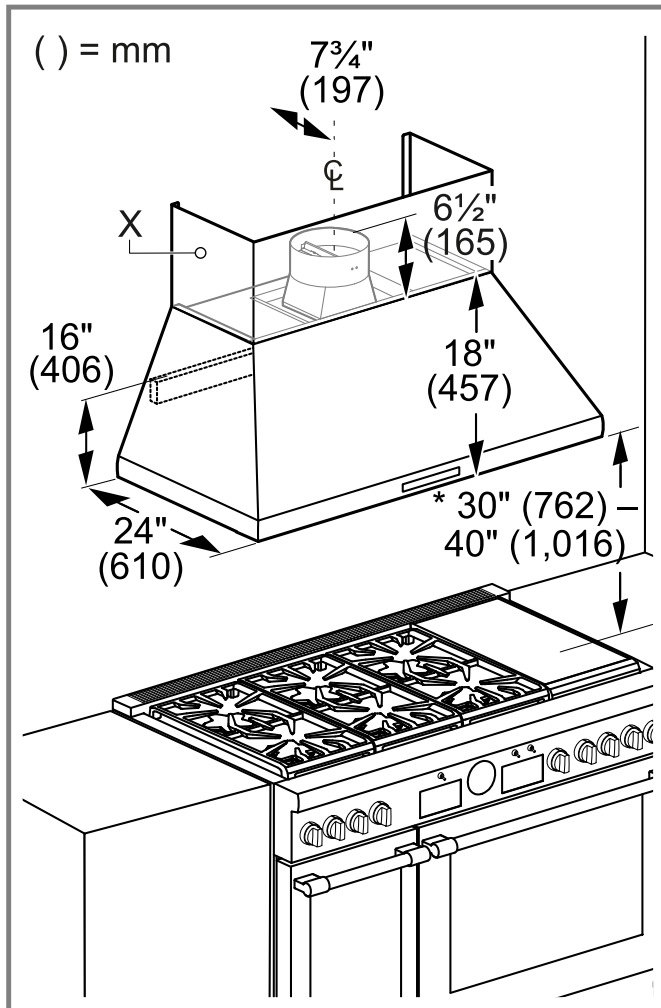
5.4 Hanging the chimney wall hood

Requirements

- The transition supplied with the hood connects to standard 10" round duct. Ensure the transition is attached and the screws do not hinder damper operation.
→ "Attaching the hood transition", Page 13
- Installations require a cutout in the ceiling to accommodate the 10" (254 mm) duct.
→ "Ceiling cutout", Page 14

1. Installations require a cutout for the 1/2" (13 mm) electrical conduit.

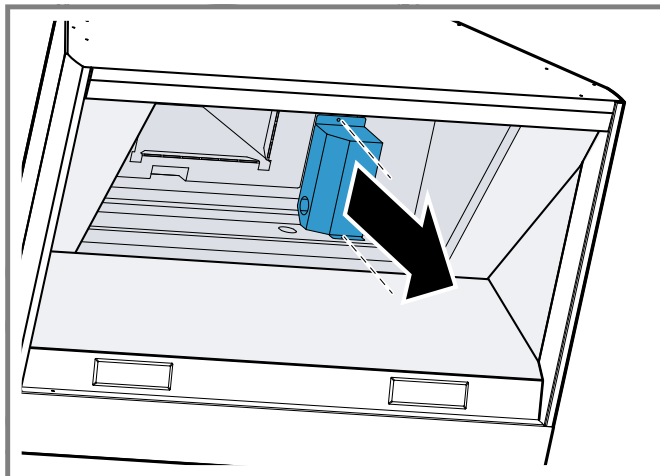
→ "Ceiling cutout", Page 14



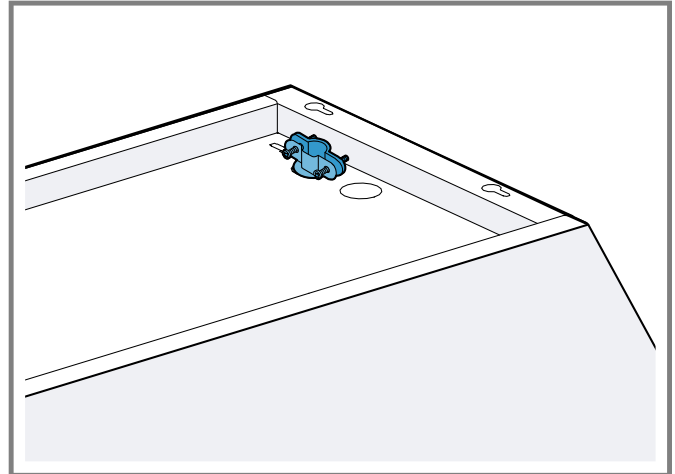
X Optional chimney extension

Note: Follow cooking appliance manufacturer's recommendations.

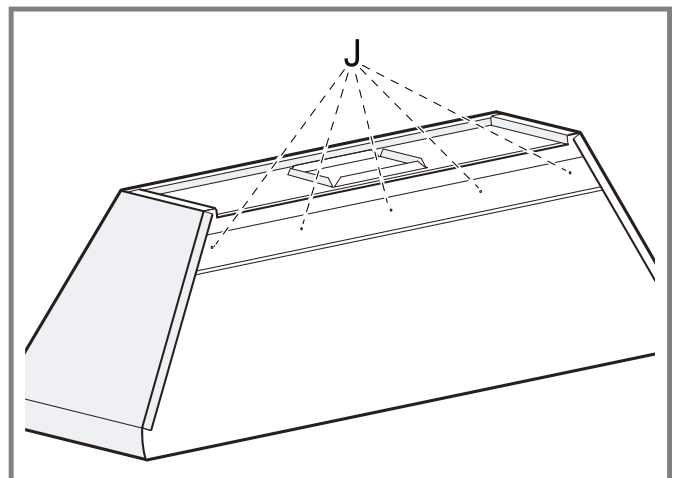
2. Use a T-20 star head screwdriver to remove the screw securing the junction box channel covering the wires.



3. Remove one circular knockout behind the junction box channel. Secure a 1" (25.4 mm) strain relief (not included).



4. Using two people to lift, rest the hood on the wood bracket. Make sure the wood bracket fits into the recess on the back of the hood.
5. From inside the hood, pre-drill the holes labeled "J" in the hood into the wood bracket with a 5/8" (16 mm) drill bit. Secure the hood to the wood bracket with five (5) 1 1/2" (38 mm) screws.



6. Connect additional ducting.

5.5 Blower motor installation

⚠ CAUTION

To reduce the risk of fire and electric shock, install this range hood only with the blowers listed in the Ventilation Planning Guide.

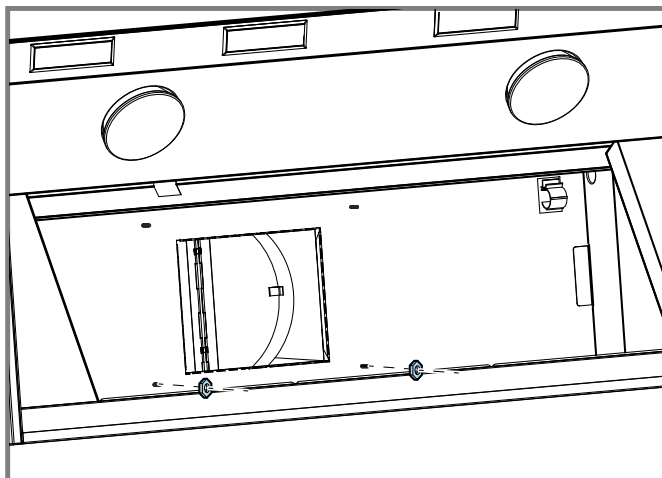
Note: Cutting the plug of the blower will void the warranty or eligibility for return or exchange.

Installing the integral blower

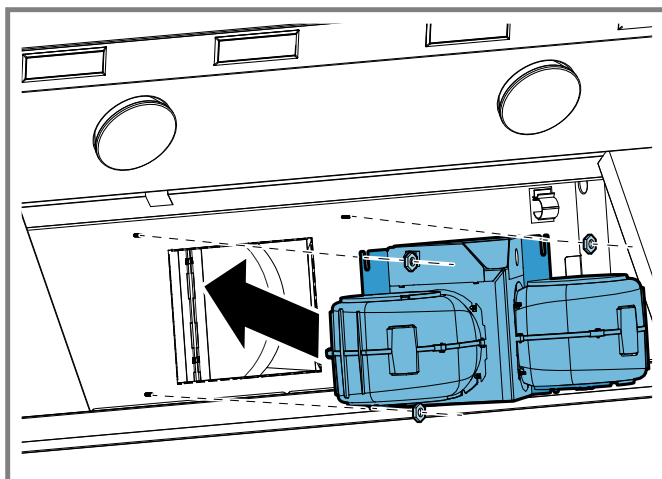
Integral blower models are integrated into the hood at the time of installation. Integral blowers should be installed after the hood is mounted to the wall. For complete installation instructions, see the instructions supplied with the blower unit.

Note: Blower and hood image views vary depending on model.

1. Thread one (1) 4m flange nut (included with the hood) half-way down each of the two weld studs indicated.

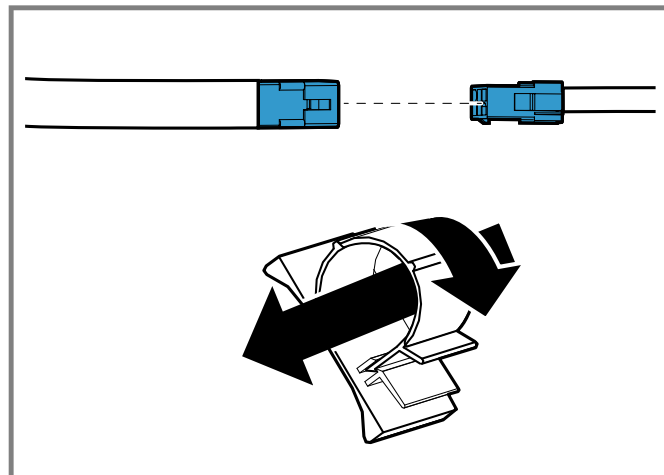


2. Slide the blower mounting plate behind the nuts on the weld studs.



3. Install two (2) 4m flange nuts (included with hood) to the top weld studs and tighten.
4. Tighten the two (2) nuts from step 1 to fully secure the blower to the hood.

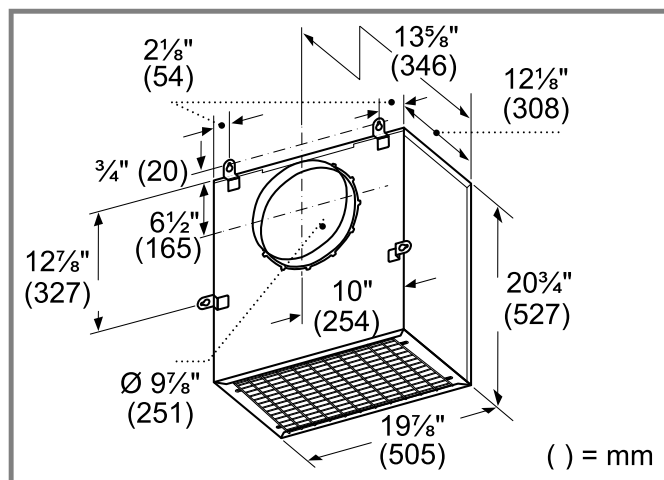
5. Connect the blower's plug connector to the connector present inside the hood. Route the blower harness through the self-locking clip.



Installing a remote blower or an in-line blower

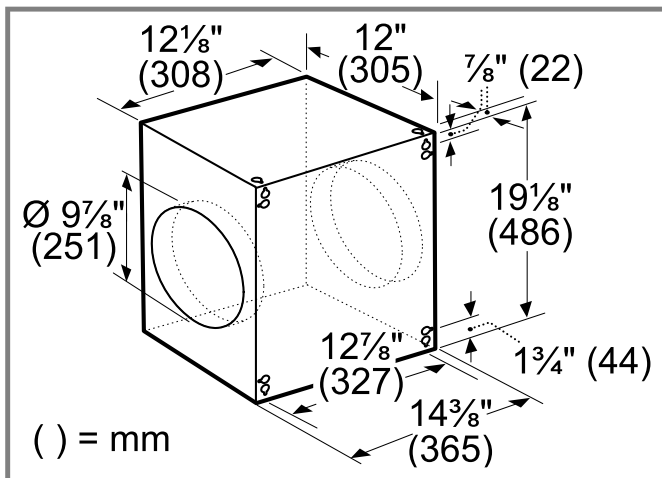
Depending on preference and ducting situation these blowers can be installed outside the kitchen. This reduces the noise in the kitchen. For complete installation instructions see the instructions supplied with the blower unit.

1. Remote blower



Remote blowers can be mounted on the roof or exterior wall of the home

2. In-line blower



In-line blowers can be mounted along the duct line anywhere between the kitchen and the exterior wall, if there is easy access to duct line, e.g. in an attic.

3. Remote and in-line blower motor wire connection:

- Remove junction box channel covering the wires.
- Remove one circular knockout.
- Route the blower motor's plug connector to the hood. Connect the blower's harness to the hood harness.
- Route the blower harness through the self-locking clip.

Connecting the electrical wires

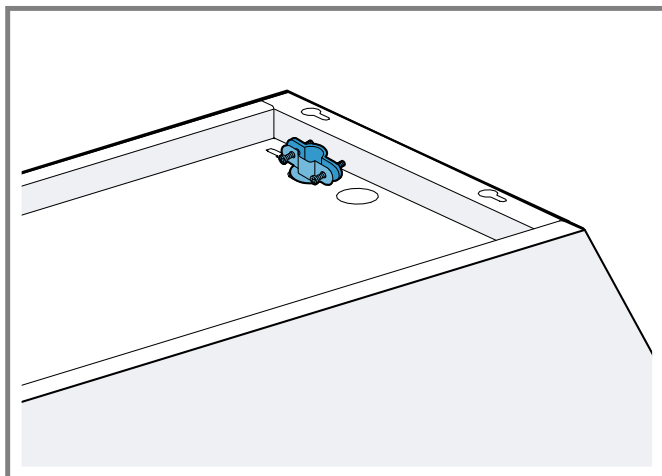
Notes

- BSH is not responsible for wiring errors during installation. Installation wiring errors are not covered by the Statement of Limited Product Warranty.
- Refer to the wire diagram included with the appliance.

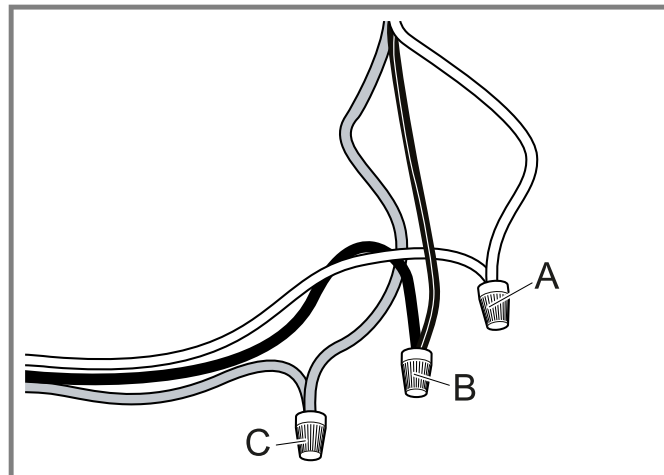


1. Run a 120V AC, 15A circuit power cable from the service panel through the strain relief.

→ "Hanging the chimney wall hood", Page 15



2. Connect black wire to power supply black wire, white wire to power supply white wire and green wire to green wire or bare wire.



- | | |
|---|-----------------------------|
| A | White to white |
| B | Black to black |
| C | Green to green or bare wire |

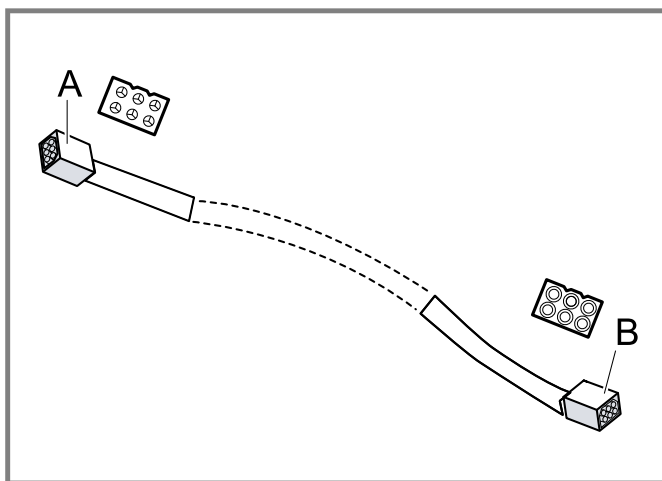
3. Place all wiring connections inside the junction box channel. Reinstall on the top plate. Ensure that the wires are secure and that no wires are pinched.

Connecting the extension cable (optional)

EXTNCB25W 25 ft. remote and in-line blower extension cable.

1. Parts included:
 - 25 ft. cable (1)
 - Adapter cables (2) - not needed for all models
2. Route the hood's internal blower harness through the strain relief.

3. Connect the 25 ft. extension cable to the blower harness outside the hood.



- A Connects to the hood
- B Connects to a remote or in-line blower

Note: Cutting of the connector will void the warranty of the appliance.

The blower extension cable is compatible with the following in-line and remote blowers:

Blower	Model
Remote blower	VTR2FZ
In-line blower	VTI2FZ

5.6 Make-up air damper relay switch (optional)

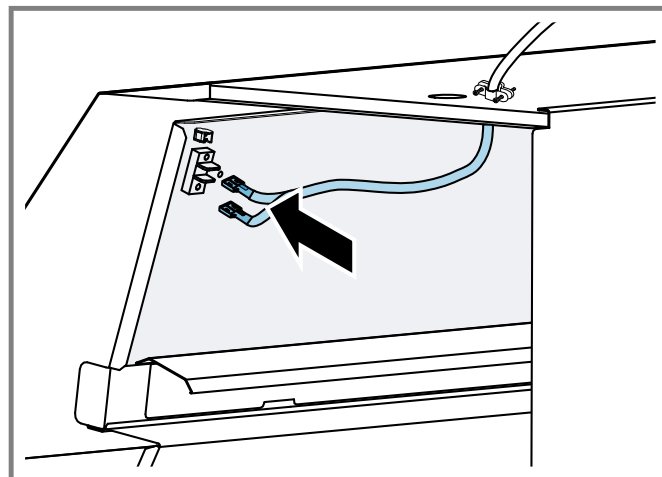
Local codes may require the use of an additional backdraft and/or make-up air damper. Contact your local HVAC professional for specific requirements.

This hood provides a relay switch to connect a make-up air damper (120V max). Installations will vary according to the location in the home where the appliance is installed and the damper used. Use the following illustration as guidance for your installation. Always comply with local code requirements.

Connecting the make-up air damper relay switch

1. Access the hood's wiring.

2. Route the make-up air damper harness through the strain relief to the terminal block.
 - The make-up air kit hot and return connections can use either terminal connection. There is no polarity requirement for the two pin terminal block.



3. Secure the ground wire with the green T-20 ground screw.

5.7 Built-in remote control accessory (optional)

Before you begin, read these instructions carefully. It is recommended that the remote control be wired to the hood after the hood is installed.

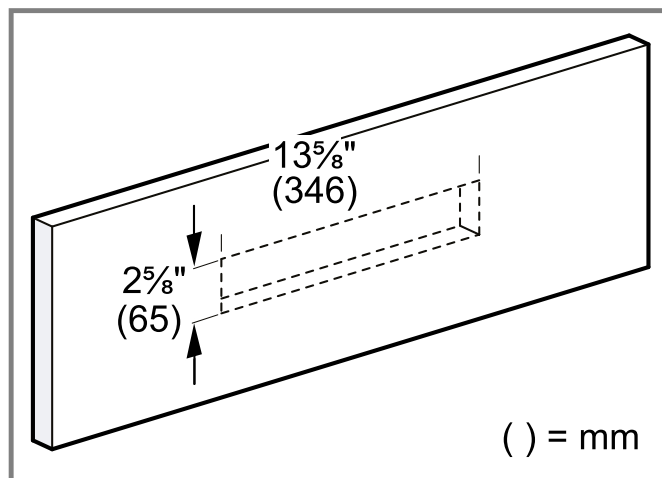
IMPORTANT: Cutting off a connector to the appliance or to the extension cable kit will void the warranty.

REMCPW parts included:

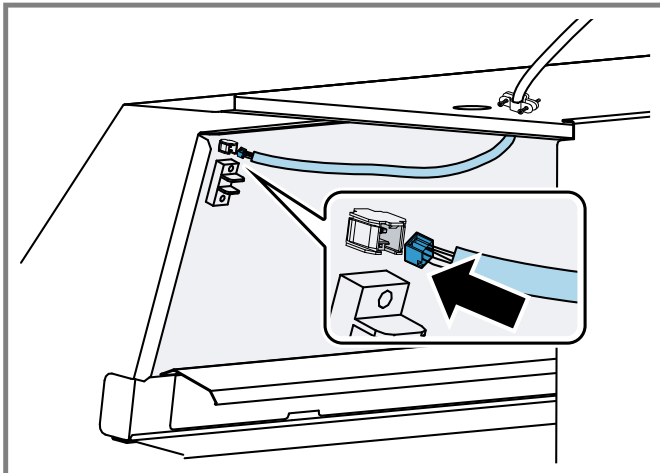
- Remote control (1)
- 30 ft. extension harness (1)

Installing the remote control

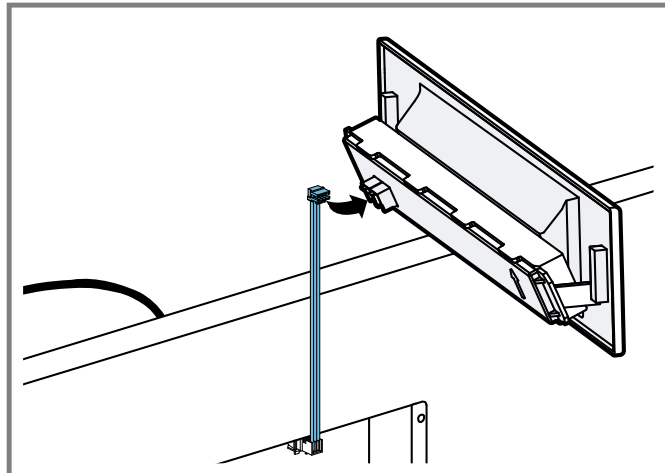
1. Prepare the cutout in the wall or similar surface for installation as shown below (view is shown facing wall).



2. Access the hood's wiring. Route the 30 ft. extension harness through the strain relief to the square mounting clip until it clicks.

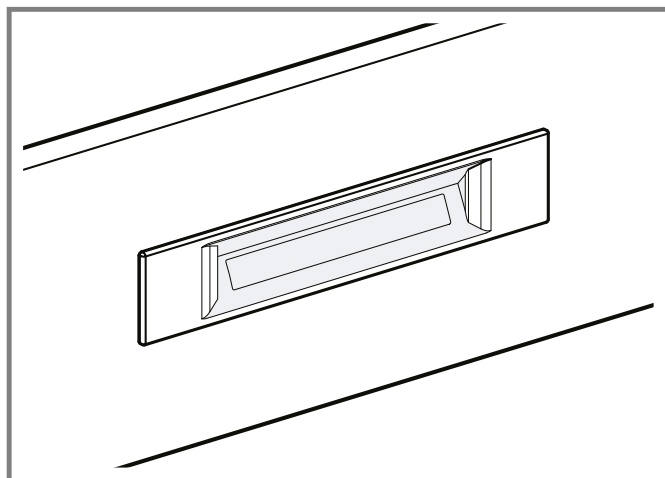
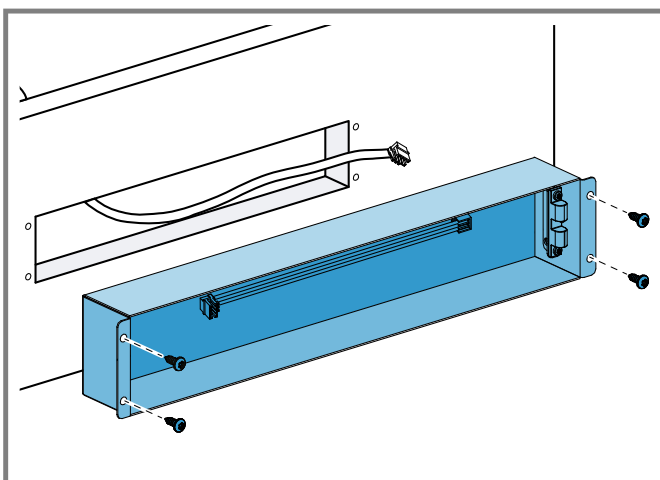


5. Hook up the wire harness connector inside the bracket to the terminal on the back side of the remote control. Use either terminal.



3. Route the 30 ft. extension harness through the cutout and connect the harness to the back of the remote control bracket.
4. Press the bracket inside the cutout. Drill a 1/4" (6 mm) tap hole through the bracket holes into the wall. Mount the bracket to the wall using the four (4) screws provided.

6. Snap the remote control into the bracket.



5.8 Duct cover extension (optional)

Optional duct cover extensions and telescoping extensions are used to fill the space between hood and ceiling. The extensions are available for separate purchase.

- Use chimney extensions for 8' (2.4 m) ceilings
- Use telescoping extensions for 10' (3 m) ceilings.

Hood model	6" extension	Telescopic extension
HPCN36WS	CHMHP366W	CHMHP48TW (18"– 35") CHMHP48XTW (42"–59")
HPCN48WS	CHMHP486W	CHMHP48TW (18"– 35") CHMHP48XTW (42"–59")

Installing the duct cover extension

Requirement: IMPORTANT: Secure the chimney wall hood to the wall before installing the chimney extension.

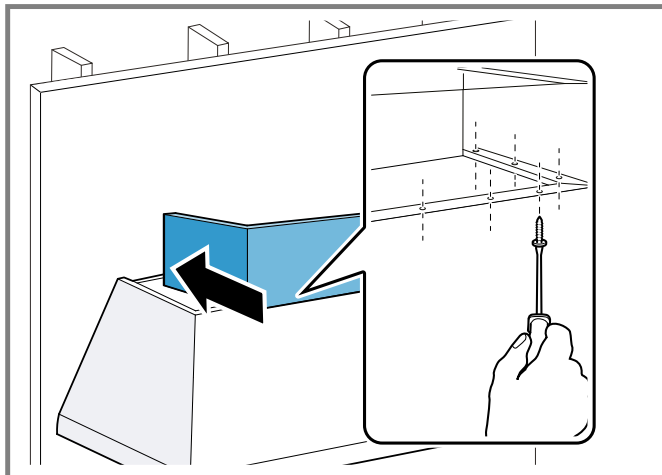
→ Page 15

1. Installation of the chimney hood should maintain a minimum height of 30" (762 mm) from the bottom of the hood to the cooking surface. To determine placement of the hood with a chimney extension, the height of the

chimney extension must be calculated.

→ "Calculating the optional chimney extension height", Page 13

- From inside of hood, screw the supplied 5/8" (16 mm) sheet metal screws through the holes on each side and along the front into bottom of the extension, as shown below. The quantity of screws is dependent on the hood size.

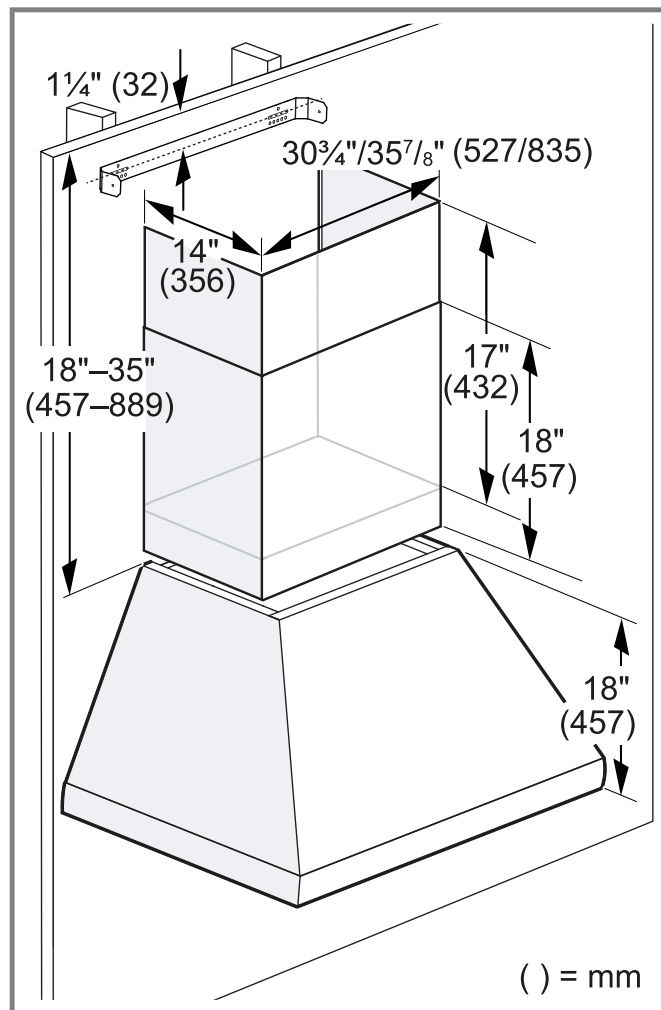


Installing the telescopic chimney extension

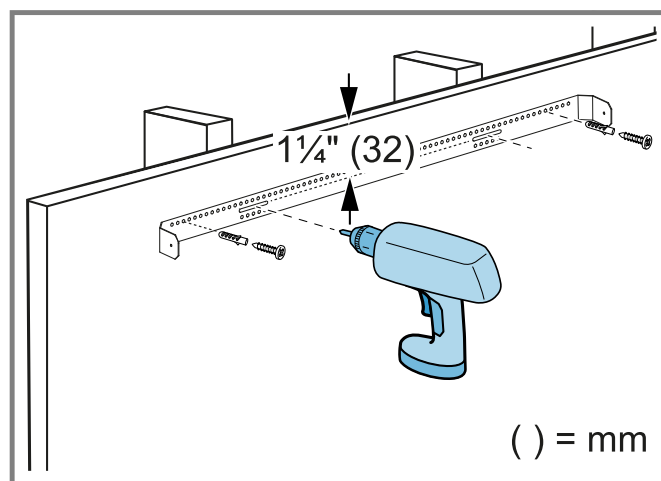
Requirement: IMPORTANT: Secure the chimney hood to the wall after installing the extension mounting bracket, but before installing the telescoping chimney extension. See "Hanging the chimney wall hood" before securing the actual extension. → Page 15

- Ensure that the minimum height of 30" (762 mm) from the bottom of the hood to the cooking surface will be maintained.
→ "Calculating the optional chimney extension height", Page 13

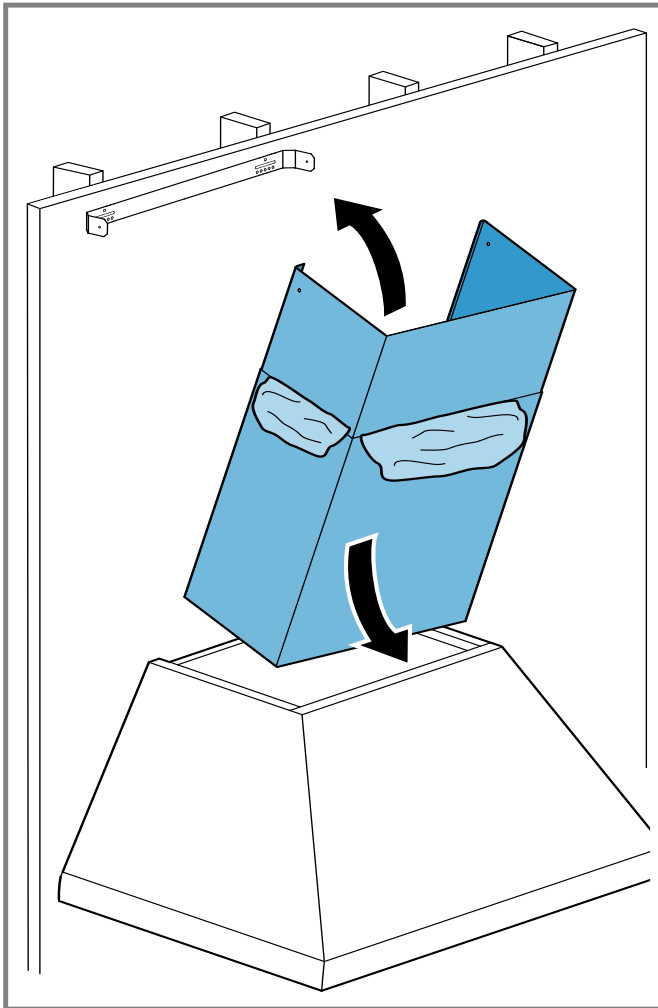
- Locate two studs at the mounting location.



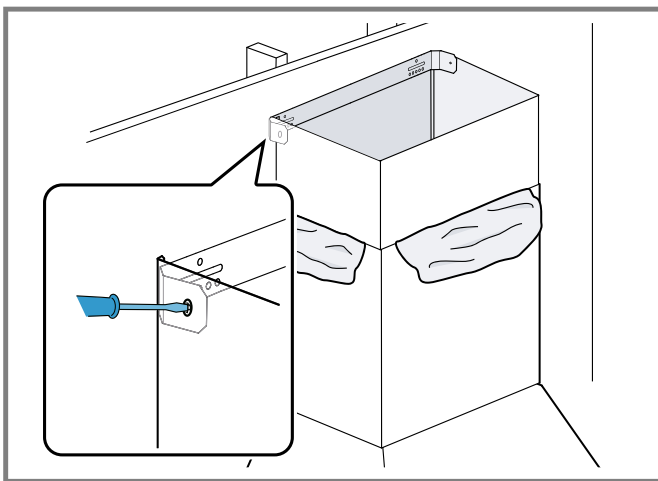
- At the wall stud locations, measure 1 1/4" (32 mm) down from the ceiling to the middle of the bracket.
- Mount the bracket at the wall stud locations using two (2) 1 1/2" (38 mm) screws (provided). Ensure that the bracket is level.



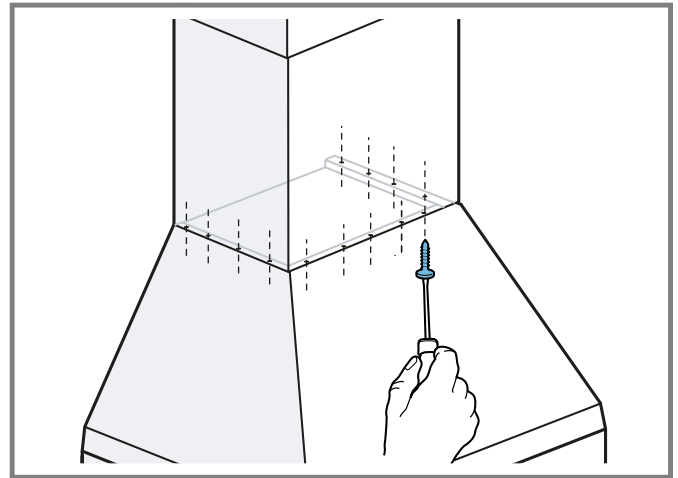
5. Insert the complete duct cover at an angle and swivel toward the wall.



6. Carefully pull the top part of the extension upwards. Screw the left and right sides of the extension to the mounting bracket with the supplied stainless screws.



7. From inside of hood, screw the supplied 5/8" (16 mm) sheet metal screws through the holes on each side and along the front into bottom of the extension. The number of screws is dependent on hood size.



5.9 Installing the grease trays and filters

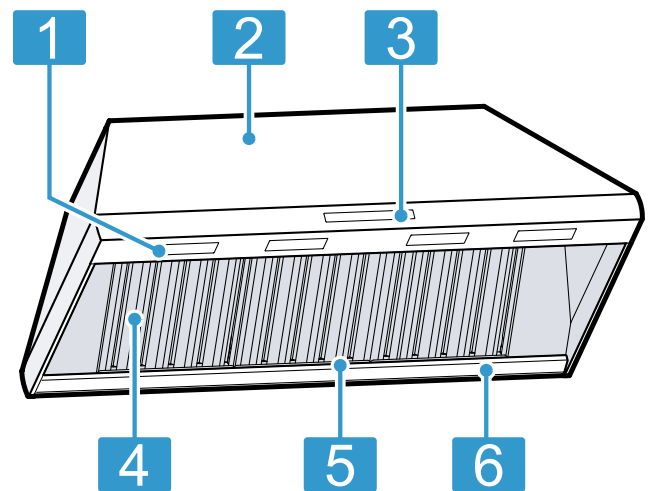
IMPORTANT: DO NOT use the cooktop, rangetop, or range while the hood is disassembled.

Chimney wall hood

HPCNxxWx

Available dimensions: 24" (610 mm) in depth, with widths of 36" (914 mm) and 48" (1,219 mm).

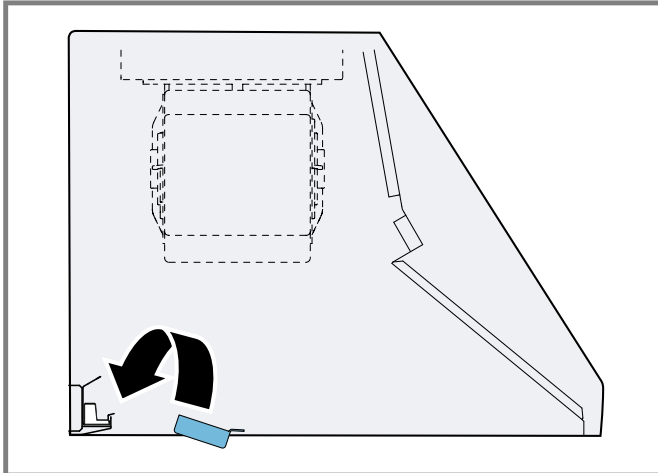
This model series features a brushed stainless-steel canopy with LED lights.



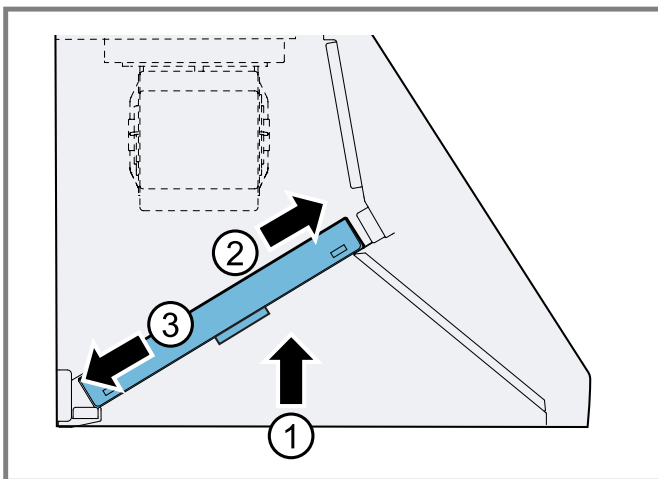
- | | |
|---|---------------------|
| 1 | LED lights |
| 2 | Hood canopy |
| 3 | Touch control panel |
| 4 | Baffle filters |
| 5 | Grease trays |
| 6 | Grease tray trough |

Installing the filters and grease trays

1. Turn the fan and lights off.
2. Remove all plastic from hood pieces.
3. Insert the grease tray in rear tray. Push the grease tray in and down inside the grease tray trough. Grease trays must be in place before installing the filters.
 - The small grease tray must be installed in the center of hood.



4. Install the filters. Start with an outside filter. Grab the filter by the handle, if applicable, or by the sides. Do not place fingers inside the filter slats. Slide the filter up, toward the front of the hood, then push down on top of the grease tray.



5. To remove the filters and grease trays, ensure the filters are cool and grease has congealed. Then proceed in reverse order of the previous instructions.

6 Installer checklist

Final check

- Specified clearances maintained to cabinet surfaces.
- Appliance is level.
- All packaging material removed.
- Proper ground connection.

- Owner is aware of location of the main circuit breaker.
- INSTALLER:** Write the model number and serial number in the Use and Care Guide. Leave the Use and Care Guide and Installation Guide with the owner of the appliance.

To clean and protect exterior surfaces

- Clean the stainless steel surfaces by wiping with a damp soapy cloth. Rinse with clear water and dry with a soft cloth to avoid water marks. Remove fingerprints and smears with mild glass cleaner.
- To polish and protect stainless steel, apply a stainless steel conditioner with a soft cloth. The Thermador Stainless Steel Conditioner is available for purchase in the online accessories store (US only) www.thermador.com/us/accessories.
- Do not use conditioner on non-steel surfaces, logos, control markings, labels, black or smudge-proof stainless steel, and appliance interiors.
- **DO NOT** allow deposits to remain for long periods of time.
- **DO NOT** use ordinary steel wool or steel brushes. Small bits of steel may adhere to the surface causing rust.
- **DO NOT** allow salt solutions, disinfectants, bleaches or cleaning compounds to remain in contact with stainless steel for extended periods. Many of these compounds contain chemicals which could prove harmful. Rinse with water after exposure and wipe dry with a clean cloth.

Troubleshooting

See the Use and Care Guide for troubleshooting information.

Refer to the Limited Product Warranty in the Use and Care Guide. Please be prepared with the information printed on your product data rating plate when calling.

7 Customer Service

With any warranty repair, we will make sure your appliance is repaired by an authorized service provider using genuine replacement parts. We use only genuine replacement parts for all repairs.

Detailed information on the warranty period and terms of warranty can be found in the Statement of Limited Product Warranty, from your retailer, or on our website.

If you contact Customer Service, you will need the model number (E-Nr.) and the production number (FD) of your appliance.

The LED light sources are available as a spare part and should only be replaced by an authorized service provider.

USA:

1-800-735-4328

www.thermador.com/support

www.thermador.com/us/accessories

CA:

1-800-735-4328

www.thermador.ca

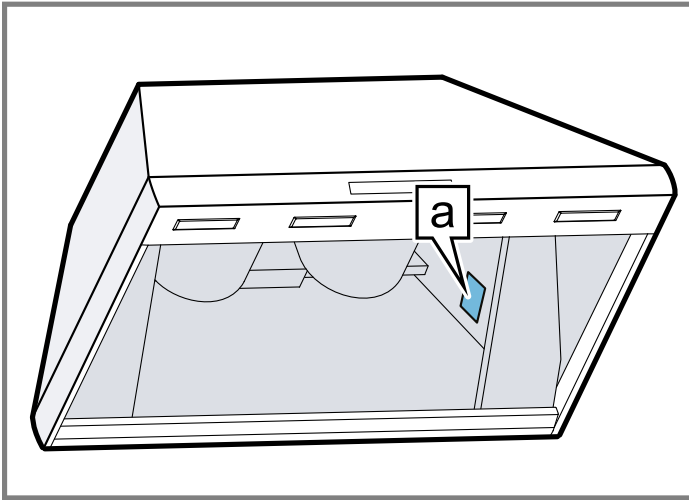
7.1 Model number (E-Nr.) and production number (FD)

You can find the model number (E-Nr.) and the production number (FD) on the appliance's rating plate.

Making a note of your appliance's details and the Customer Service telephone number will enable you to find them again quickly.

7.2 Rating plate location

The data rating plate is located on the frame behind the filter. Remove the filter to view it (see figure below for an example).



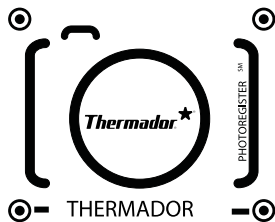
a Rating plate

7.3 Product registration

Register your Thermador product to access to your product related information.

You may register your product through one of the following ways:

- Register with your phone (USA only):



- Take a photo of the camera icon on the registration card, including the points (⊙).
- Text the photo to 21432.
(USA only, text and data rates may apply.)
- Mail in the completed product registration card to the address printed on the card.
- Register your product online at
 - US: www.thermador.com
 - Canada: www.thermador.ca
- Call Thermador Customer Service at 1-800-735-4328.

Table des matières

1 IMPORTANTES CONSIGNES DE SÉCURITÉ	26
1.1 Définitions des termes de sécurité	26
1.2 Informations générales.....	26
1.3 Consignes générales de sécurité	26
1.4 Codes et normes de sécurité	28
1.5 Mises en garde conformément à la proposition 65 de l'État de Californie	28
2 Avant de commencer.....	29
2.1 Notes importantes.....	29
2.2 Distance de la surface de cuisson.....	29
2.3 Pièces incluses	29
2.4 Outils et pièces nécessaires.....	29
3 Exigences d'installation et dégagements	31
3.1 Dimensions de l'électroménager	31
3.2 Dégagements.....	32
3.3 Largeur de la hotte.....	32
3.4 Distance de la surface de cuisson.....	32
3.5 Poids de l'appareil.....	32
3.6 Structure de support.....	32
3.7 Ventilation	33
3.8 Exigences électriques	33
4 Préparation pour l'installation.....	34
4.1 Préparation des conduits	34
4.2 Choisir le bon ventilateur.....	36
4.3 Pièce de transition de la hotte	37
5 Installation.....	37
5.1 Hauteur d'installation :.....	37
5.2 Préparation du câblage	38
5.3 Préparation du mur arrière	39
5.4 Accrocher la hotte cheminée murale	40
5.5 Installation du moteur du ventilateur.....	41
5.6 Commutateur de relais de volet d'air d'appoint (en option).....	44
5.7 Accessoire de télécommande intégré (en option)....	44
5.8 Caisson pour masquer les conduites (facultatif)	45
5.9 Installation des bacs à graisse et des filtres	47
6 Liste de contrôle de l'installateur	48
7 Service à la clientèle.....	48
7.1 Numéro de modèle (E-Nr.) et numéro de fabrication (FD)	49
7.2 Emplacement de la plaque signalétique	49
7.3 Enregistrement de produit.....	49



IMPORTANTES CONSIGNES DE SÉCURITÉ

LIRE ET CONSERVER CES INSTRUCTIONS

Lisez attentivement toutes les instructions avant d'utiliser l'appareil. Afin de réduire les risques d'incendie, d'électrocution et de blessures corporelles lorsque vous utilisez l'appareil, suivez les précautions de base, et notamment les consignes de sécurité suivantes.

1.1 Définitions des termes de sécurité

Vous trouverez ici des explications sur les mots de signalisation de sécurité utilisés dans ce manuel.

AVERTISSEMENT

Signale un risque de mort ou de blessure grave si l'avertissement n'est pas respecté.

MISE EN GARDE

Signale un risque de blessures mineures ou modérées si l'avertissement n'est pas respecté.

AVIS :

Ceci indique que la non-conformité à cet avis de sécurité peut entraîner des dégâts matériels ou endommager l'appareil.

Remarque : Ceci vous signale des informations et/ou indications importantes.

1.2 Informations générales

Tous les manuels des produits peuvent être téléchargés en ligne à l'adresse www.thermador.ca/fr/soutien/manuels-du-propietaire.

INSTALLATEUR : Prière de laisser ces instructions d'installation avec cet appareil à l'intention du propriétaire.

PROPRIÉTAIRE : Prière de conserver ces instructions pour référence ultérieure. Lisez toutes les consignes de sécurité avant d'utiliser l'appareil. Demandez à l'installateur de vous montrer où se trouve le disjoncteur électrique afin que vous sachiez comment et où couper l'électricité de l'appareil.

1.3 Consignes générales de sécurité

AVERTISSEMENT



Si vous ne suivez pas rigoureusement les renseignements fournis dans le présent guide, des risques d'incendie ou d'explosion sont susceptibles de causer des dommages matériels, des blessures ou la mort.

- N'entreposez pas et n'utilisez pas d'essence ou d'autres produits inflammables sous forme de liquide ou de vapeur à proximité de la table de cuisson ou de tout autre appareil.
- SI VOUS DÉTECTEZ UNE ODEUR DE GAZ
 - N'allumez aucun appareil.
 - Ne touchez pas aux interrupteurs électriques.
 - N'utilisez pas les téléphones du bâtiment où vous trouvez.
 - Appelez immédiatement votre société gazière chez un voisin et suivez les instructions qu'elle vous donne.
 - Si vous n'arrivez pas à contacter votre société gazière, appelez le service d'incendie.
- L'installation et les travaux d'entretien doivent être réalisés par un installateur qualifié, un centre de réparation agréé ou une société gazière.

AVERTISSEMENT

Couper l'alimentation du circuit électrique au boîtier à fusibles ou des disjoncteurs et le verrouiller avant de câbler cet appareil électroménager. Exigence : 120 VAC, 60 Hz, 15 A ou 20 A pour certains modèles. Après la coupure de l'alimentation électrique, laisser refroidir l'appareil électroménager avant de procéder aux réparations.

AVERTISSEMENT

Dispositif à fonctionnement automatique

- Couper l'alimentation électrique avant toute réparation pour réduire le risque de blessure.



IMPORTANTES CONSIGNES DE SÉCURITÉ

LIRE ET CONSERVER CES INSTRUCTIONS

AVERTISSEMENT

POUR RÉDUIRE LE RISQUE D'INCENDIE, D'ÉLECTROCUTION OU DE BLESSURES, RESPECTER LES INDICATIONS SUIVANTES :

- ▶ Utilisez cet appareil uniquement de la façon recommandée par le fabricant. Pour toutes questions, veuillez contacter le fabricant.
→ "Service à la clientèle", Page 48
- ▶ Avant d'entretenir ou de nettoyer l'appareil, coupez l'alimentation au niveau du panneau de service et verrouillez le panneau de service. Cela empêchera la mise sous tension accidentelle. Lorsque le panneau de service ne peut pas être verrouillé, fixer un accessoire d'avertissement visible et adéquat, comme une étiquette, au panneau de service.

Ne pas réparer, remplacer ni retirer toute pièce de l'électroménager à moins que cela ne soit spécifiquement recommandé par les manuels. L'installation, les réparations ou l'entretien inadéquats pourraient causer des blessures ou des dégâts matériels.

- ▶ Consulter ce manuel pour les directives d'utilisation.
- ▶ Toutes les autres réparations doivent être effectuées par un prestataire de services agréé.

AVERTISSEMENT



RISQUE D'ÉLECTROCUTION

- ▶ Débranchez l'alimentation avant l'installation ou l'entretien. Avant de rétablir l'alimentation, s'assurer que toutes les commandes sont à la position d'arrêt (OFF).
- ▶ NE PAS enlever de raccords.
- ▶ NE PAS utiliser de rallonge.
- ▶ Une mise à la terre inadéquate peut entraîner un risque d'électrocution.
- ▶ Tout manquement à ces directives peut entraîner la mort ou une électrocution, ou déclencher un incendie.

INSTRUCTIONS DE MISE À LA TERRE

- ▶ Cet appareil doit être mis à la terre.
- ▶ La mise à la terre réduit le risque de choc électrique en fournissant une voie sûre pour le courant électrique en cas de court-circuit.
- ▶ Assurez-vous que l'appareil est correctement installé et mis à la terre par un technicien qualifié.
- ▶ L'installation, les raccordements électriques et la mise à la terre doivent être conformes avec tous les codes en vigueur.

- S'il y a lieu, conformément au Code national de l'électricité (ou au Code canadien de l'électricité), cet appareil doit être installé sur un circuit de dérivation séparé.

AVERTISSEMENT

Pour réduire le risque d'incendie ou d'électrocution, n'utilisez pas cet appareil avec un dispositif de contrôle de vitesse à semi-conducteurs.

AVERTISSEMENT

POUR RÉDUIRE LE RISQUE D'INCENDIE, D'ÉLECTROCUTION OU DE BLESSURE, RESPECTEZ LES INSTRUCTIONS SUIVANTES.

- ▶ L'installation et le câblage électrique doivent être exécutés par du personnel qualifié en conformité aux codes et aux normes en vigueur, y compris ceux relatifs à la construction à l'épreuve du feu.
- ▶ Un apport d'air suffisant est nécessaire pour la bonne combustion et l'évacuation des gaz par le carneau (cheminée) émanant des appareils de combustion afin d'éviter un refoulement d'air. Respectez les lignes directrices du fabricant des appareils de chauffage et les normes de sécurité comme celles établies par la National Fire Protection Association (NFPA), la American Society for Heating, Refrigeration and Air Conditioning Engineers (ASHRAE) et les codes des autorités locales.
- ▶ Lorsque vous coupez ou percez le mur ou le plafond, n'abîmez pas le câblage électrique et les autres installations cachées.
- ▶ Les ventilateurs raccordés à une conduite utilisée pour évacuer des contaminants doit toujours évacuer l'air vers l'extérieur.
- ▶ **UTILISEZ UNIQUEMENT DES CONDUITES MÉTALLIQUES.**
- ▶ **NE PAS** évacuer l'air évacué dans des espaces avec des murs ou des plafonds ou dans des greniers, des vides sanitaires ou des garages.

MISE EN GARDE

Uniquement aux fins de ventilation générale.

- ▶ Pour éviter tout risque d'incendie ou d'explosion, ne pas utiliser pour évacuer des matières et des vapeurs dangereuses ou explosives.

AVERTISSEMENT

Ne jamais modifier ni altérer la structure de l'appareil électroménager.



IMPORTANTES CONSIGNES DE SÉCURITÉ

LIRE ET CONSERVER CES INSTRUCTIONS

AVERTISSEMENT

Retirer tout le ruban adhésif et l'emballage avant d'utiliser l'électroménager.

- ▶ Éliminez l'emballage d'une manière respectueuse de l'environnement.
- ▶ Ne laissez jamais les enfants jouer avec le matériel d'emballage.

AVERTISSEMENT



L'appareil est lourd et son déplacement et installation exigent au moins deux personnes ou encore un équipement approprié.

AVERTISSEMENT



Certaines surfaces cachées peuvent avoir des rebords tranchants.

- ▶ Redoubler de vigilance quand vous passez la main derrière ou sous l'appareil électroménager.

MISE EN GARDE

Un ventilateur externe doit être installé derrière les déflecteurs ou à un endroit où il est probable que de l'eau soit aspiré.

Si elle est équipée d'une prise électrique, brancher la hotte à une prise conforme à la réglementation en vigueur et placée dans un endroit accessible. Lorsqu'une prise électrique n'est pas fournie (connexion directe au réseau électrique) ou que la prise ne sera pas dans une position accessible après l'installation, placez un interrupteur bipolaire approuvé dans une position accessible qui fournit une déconnexion complète dans des conditions de surtension de catégorie III, conformément au câblage local règles.

1.4 Codes et normes de sécurité

Cet appareil est conforme aux plus récentes versions de l'une ou plus des normes suivantes :

- UL 507 - Ventilateurs électriques
- CAN/CSA-C22.2 No 113 - Ventilateurs

Il est de la responsabilité du propriétaire et de l'installateur de déterminer si des exigences et/ou des normes supplémentaires s'appliquent à des installations spécifiques.

1.5 Mises en garde conformément à la proposition 65 de l'État de Californie

Ce produit pourrait contenir un produit chimique reconnu par l'État de la Californie comme cancérigène ou ayant des effets nocifs sur la reproduction. Par conséquent, vous pourriez devoir apposer l'étiquette suivante sur l'emballage du produit comme requis par la Californie :

AVERTISSEMENT ISSUE DE LA PROPOSITION 65 DE L'ÉTAT DE LA CALIFORNIE :



AVERTISSEMENT

Cancer et dommages à la reproduction -
www.P65Warnings.ca.gov

2 Avant de commencer

Lisez ces instructions avant de commencer l'installation de votre appareil.

2.1 Notes importantes

AVERTISSEMENT

Une mauvaise installation d'appareils à gaz et de hottes de ventilation peut créer un risque de monoxyde de carbone, qui peut être nocif. Pour réduire le risque d'intoxication au monoxyde de carbone, assurez-vous que l'appareil à gaz est correctement installé selon les instructions du fabricant, ainsi que la hotte est ventilée vers l'extérieur pour une évacuation adéquate des gaz ou des fumées.

- Les appareils de cuisson au gaz libèrent du monoxyde de carbone qui peut être nocif ou mortel en cas d'inhalation. Pour réduire le risque d'incendie et pour évacuer correctement l'air, les gaz d'échappement extraits par la hotte doivent être évacués à l'extérieur du bâtiment uniquement.
- Consultez les codes du bâtiment locaux ou les restrictions liées à l'installation de produits de ventilation en mode de recirculation.
- La hauteur d'installation de la hotte au-dessus d'une table de cuisson ou d'une cuisinière peut varier. Pour obtenir la hauteur d'installation nécessaire au-dessus d'une table de cuisson, d'une cuisinière ou d'une table de cuisson, consultez le manuel d'installation de l'appareil ou la matrice de combinaison.

AVIS :

La hotte peut être endommagée par une chaleur excessive si une cuisinière ou une table de cuisson fonctionne avec plusieurs brûleurs à des réglages élevés sous une hotte installée à des dégagements minimums et éteinte.

2.2 Distance de la surface de cuisson

La hauteur d'installation au-dessus d'une table de cuisson ou d'une cuisinière est recommandée comme une hauteur minimale de 30 po (762 mm); cependant, il est nécessaire de suivre les instructions d'installation du fabricant de l'appareil de cuisson pour une hauteur de hotte appropriée.

Reportez-vous aux codes du bâtiment locaux pour connaître les dernières exigences ou restrictions lors de l'installation de produits de ventilation en mode de recirculation.

2.3 Pièces incluses

Après avoir déballé le produit, inspectez toutes les pièces pour détecter d'éventuels dégâts dus au transport et pour vous assurer de l'intégralité de la livraison.

- Transition métallique avec clapet anti-retour
- Filtres à déflecteurs
- Bacs à graisse

- Adaptateur de ventilateur
- Support de support en bois utilisé comme support de montage de hotte (nécessaire pour l'installation - NE PAS JETER)
- Pochette de documentation avec assortiment de fixations
La quincaillerie fournie est destinée au montage à travers des cloisons sèches ou du plâtre d'épaisseur standard dans des montants en bois. Il incombe à l'installateur de fournir la quincaillerie nécessaire à d'autres types de mur.

2.4 Outils et pièces nécessaires

Préparez ces outils et accessoires avant de commencer à installer votre électroménager.

- Ventilateur (Consultez le Guide de planification de la ventilation pour les ventilateurs compatibles)
- Conduits au besoin (Se reporter au tableau Longueurs de conduits équivalentes pour les transitions couramment utilisées. → Page 35)
- Ruban en aluminium (NE PAS utiliser de ruban adhésif isolant ou en tissu)
- Conduit de 1/2 po (13 mm) si nécessaire
Suivez les codes locaux
- Décharge de traction de 1 po (25,4 mm)
- Tournevis cruciforme
- Tournevis à embout étoile T20
- Tourne-écrou ou douille de 1 1/32 po et clé à cliquet
- Perceuse avec mèche de 3/16 po (4,76 mm)
- Outil à dénuder
- Ruban à mesurer
- Crayon
- Niveau
- Gants de sécurité

IMPORTANT : NE PAS jeter de morceaux d'emballage avant l'installation complète de l'appareil électroménager.

Accessoires facultatifs vendus séparément

Pour de plus amples renseignements, veuillez consulter www.thermador.com.

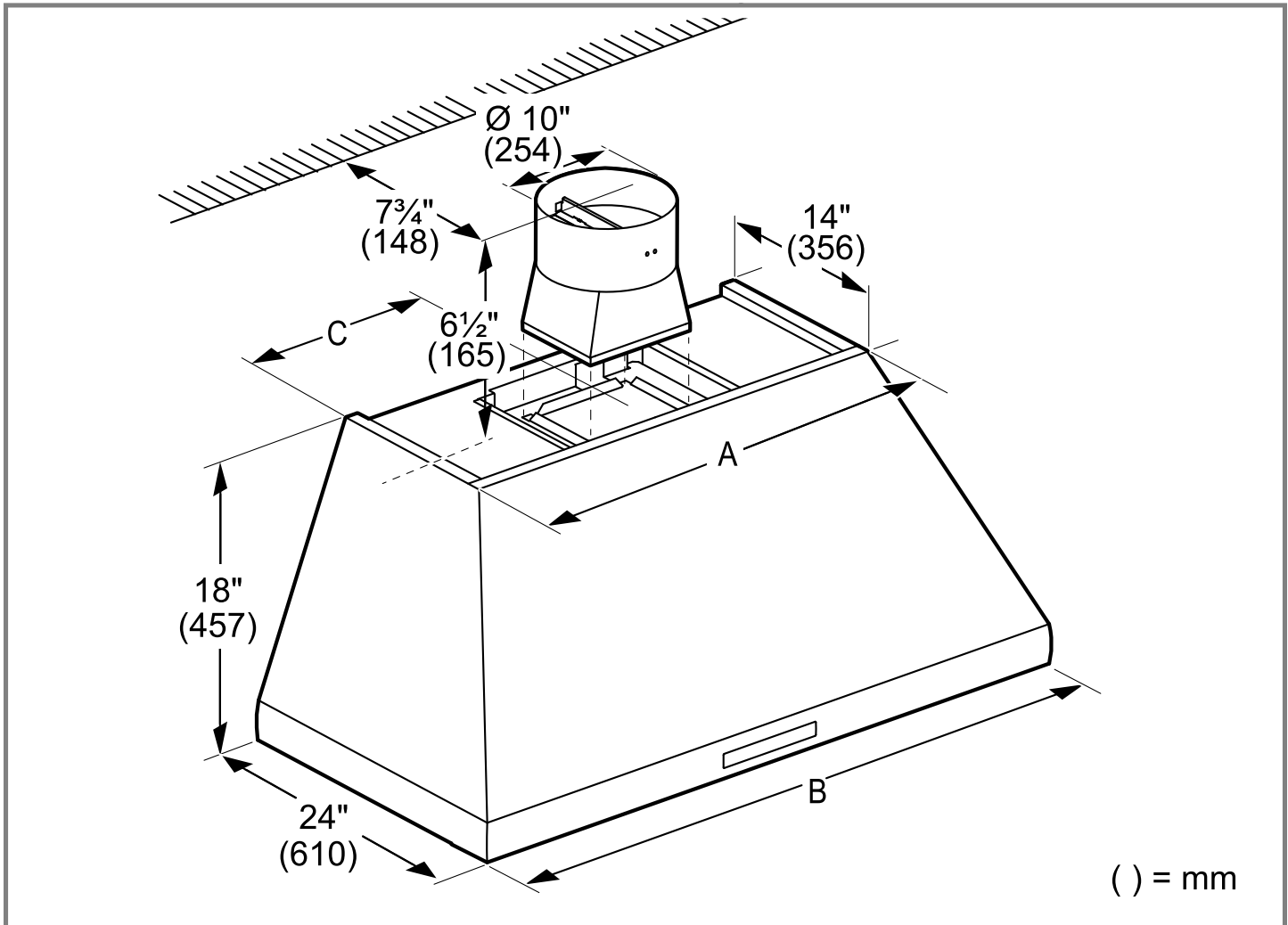
Accessoire	Description
EXTNCB25W	Câble d'extension de 25 pi pour ventilateur à distance et en ligne
EXTNSET4	Trousse d'adaptateur de câble d'extension de soufflerie à distance et en ligne de 25 pi
CHMHP**W	Couvercle de conduit de 6 po de hauteur
CHMHP**TW	Couvercle de conduit télescopique de 18 à 35 po de hauteur
CHMHP**XTW	Couvercle de conduit télescopique étendu de 42 à 59 po
RFPLT600P	Plaque de toit à utiliser avec <ul style="list-style-type: none"> ■ Ventilateur externe de 600 PCM VTR630

Accessoire	Description
RFPLT1000P	Plaque de toit à utiliser avec <ul style="list-style-type: none">■ Ventilateur externe de 1000 PCM VTR1030■ Ventilateur de 1300 PCM VTR1330
REMCPW	Panneau de contrôle à distance

3 Exigences d'installation et dégagements

3.1 Dimensions de l'électroménager

Cette série de modèles, d'une profondeur de 24 po (610 mm), comporte un déflecteur en acier inoxydable brossé avec éclairage à DEL.



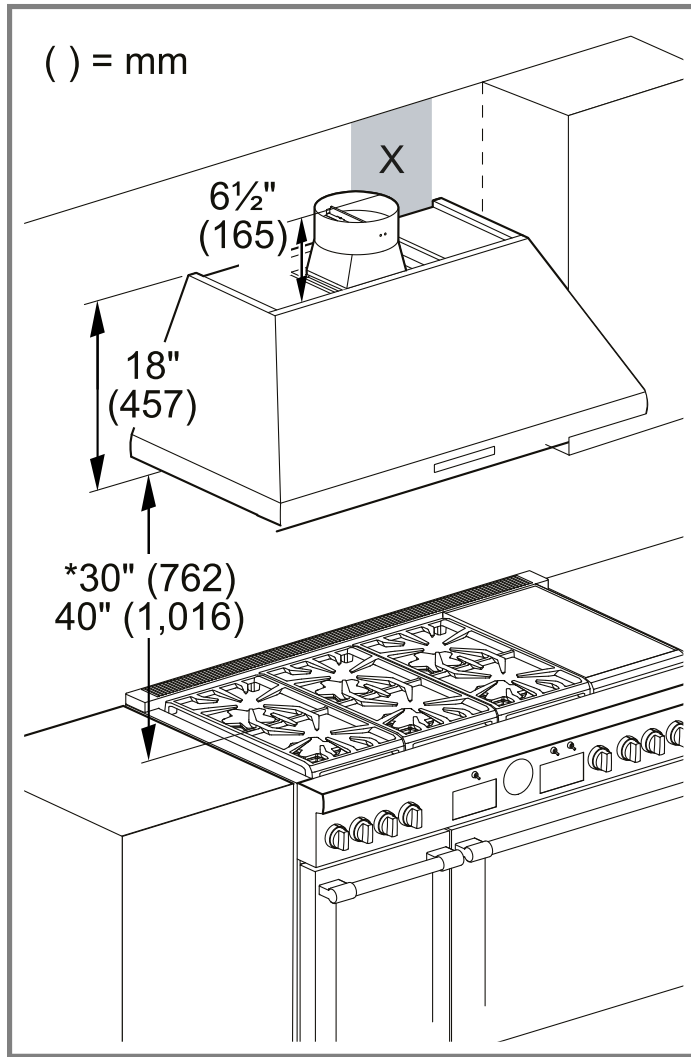
	36 po (914 mm)	48 po (1 219 mm)
A	21 po (533 mm)	33 po (838 mm)
B	35 ¹⁵ / ₁₆ po (913 mm)	47 ¹⁵ / ₁₆ po (1 218 mm)
C	10 ¹ / ₂ po (165 mm)	16 ¹ / ₂ po (419 mm)

Remarque : La transition est centrée horizontalement.

IMPORTANT : La hotte doit être centrée sur la surface de cuisson pour de meilleures performances.

3.2 Dégagements

La hauteur d'installation de la hotte au-dessus d'une table de cuisson ou d'une cuisinière peut varier. Veuillez consulter le manuel d'installation pour connaître la hauteur d'installation nécessaire au-dessus d'une table de cuisson ou d'une cuisinière.



X Zone électrique

*Suivez les recommandations du fabricant de l'appareil de cuisson.

3.3 Largeur de la hotte

- La largeur de la hotte ne doit pas être moindre que celle de la surface de cuisson. Pour un bon rendement, le boîtier doit couvrir l'ensemble de la surface de cuisson.
- La hotte doit être centrée horizontalement au-dessus de la surface de cuisson pour offrir un bon rendement. Une hotte plus large peut être utilisée s'il n'y a pas de contraintes d'espace pour accroître l'aire d'aspiration.

3.4 Distance de la surface de cuisson

- La hauteur d'installation de la hotte au-dessus d'une table de cuisson ou d'une cuisinière peut varier.

- La hauteur d'installation varie d'une hauteur minimale de 30" po (762 mm) à une hauteur maximale suggérée de 40" po (1 016 mm). En revanche, reportez-vous aux instructions d'installation du fabricant de la hotte et du ventilateur.

AVIS :

REMARQUE : La hotte peut être endommagée par la chaleur si une cuisinière ou une table de cuisson Thermador Professional® est utilisée avec plusieurs brûleurs à des réglages élevés sous une hotte installée avec un minimum d'espace libre lorsque la hotte est éteinte.

3.5 Poids de l'appareil

- Cette hotte est lourde. Peu importe le type d'installation, il faut avoir une structure et des nervures de renforcement adéquats.
- Assurez-vous de tenir compte du poids de l'unité de ventilation lors du calcul de la charge du système de support du boîtier.

Description	Poids
HPCN36WS	57 lb (26 kg)
HPCN48WS	73 lb (33 kg)
Ventilateur intégré modèle VTN2FZ	19 lb (8,6 kg)
Modèle de ventilateur intégré VTN2DA	14 lb (6,3 kg)

AVIS :

Les poids indiqués sont uniquement pour l'appareil de ventilation et le système de soufflerie. L'installateur doit tenir compte du poids du reste du matériel de montage lors du calcul de la charge du poids mort total du module, y compris, sans toutefois se limiter à/au : mur, carreaux, mortier, plâtre, brique, finition, sections et autres éléments similaires intégrés dans l'architecture et la structure. Il est de la responsabilité du propriétaire et de l'installateur de déterminer si des exigences et/ou des normes supplémentaires s'appliquent à des installations spécifiques.

3.6 Structure de support

- En raison de la hauteur de la hotte, veuillez vous assurer que le support de fixation de bois est fixé à tous les montants de cloison disponibles.
- Le cadre doit être assemblé ensemble et fixé aux solives de plafond pour offrir une résistance structurelle servant à soutenir le poids de la hotte et du système de soufflerie interne, au besoin.
- La charpente du mur doit être fabriquée avec des montants de 2 x 4 po minimum. Une nervure de renforcement adéquate est nécessaire pour prendre charge le poids de la hotte.

3.7 Ventilation

- La hotte nécessite que les conduits soient ventilés vers l'extérieur du bâtiment.

3.8 Exigences électriques

AVERTISSEMENT

Cet appareil doit être correctement mis à la terre.


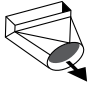
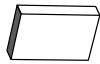
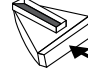
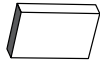
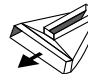
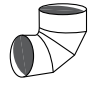
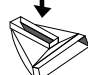
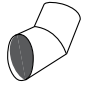
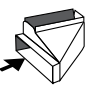
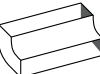




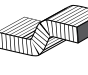
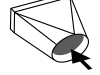
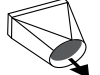

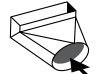
- L'appareil nécessite une alimentation 120 V CA, 60 Hz. Circuit de dérivation 15 A.
- Les ventilateurs VTN2FZ et VTN2DA associés à un PHxxGWS nécessitent un disjoncteur de 20 A.
- L'appareil ne doit être connecté qu'à un circuit dédié (avec terre) qui a été installé conformément aux réglementations en vigueur.
- Lorsqu'il est connecté à une alimentation protégée par GFCI, Les hottes de la série Thermador Professional® conviennent à une utilisation dans des endroits humides qui sont protégés des conditions météorologiques extérieures et non soumis à la saturation en eau et autres liquides, mais peuvent être soumis à des degrés modérés d'humidité, comme un patio extérieur couvert ou une véranda. Reportez-vous aux codes locaux, au NEC/CEC et/ou à l'autorité compétente (AHJ) pour plus d'informations.
- Vérifiez les codes du bâtiment locaux pour connaître la méthode d'installation appropriée. Cet appareil doit être installé conformément aux codes locaux applicables ou, en l'absence de codes locaux, au Code national de l'électricité, NFPA 70 ou au Code canadien de l'électricité, CSA C22.1-02.
- L'accessoire de câble d'extension de ventilateur à distance et en ligne de 25 pi (EXTNCB25W) ne fonctionnera que pour des distances allant jusqu'à 25 pi. Le câble accessoire doit être acheté séparément. **NE PAS** utiliser plus d'un câble d'extension de ventilateur par installation.
- **Données électriques :** Reportez-vous à la plaque signalétique pour les données du produit, y compris le modèle et le numéro de série.
- Si elle est équipée d'une prise électrique, brancher la hotte à une prise conforme à la réglementation en vigueur et placée dans un endroit accessible. Lorsqu'une prise électrique n'est pas fournie (connexion directe au réseau électrique) ou que la prise ne sera pas dans une position accessible après l'installation, placez un interrupteur bipolaire approuvé dans une position accessible qui fournit une déconnexion complète dans des conditions de surtension de catégorie III, conformément au câblage local règles.

4 Préparation pour l'installation

4.1 Préparation des conduits

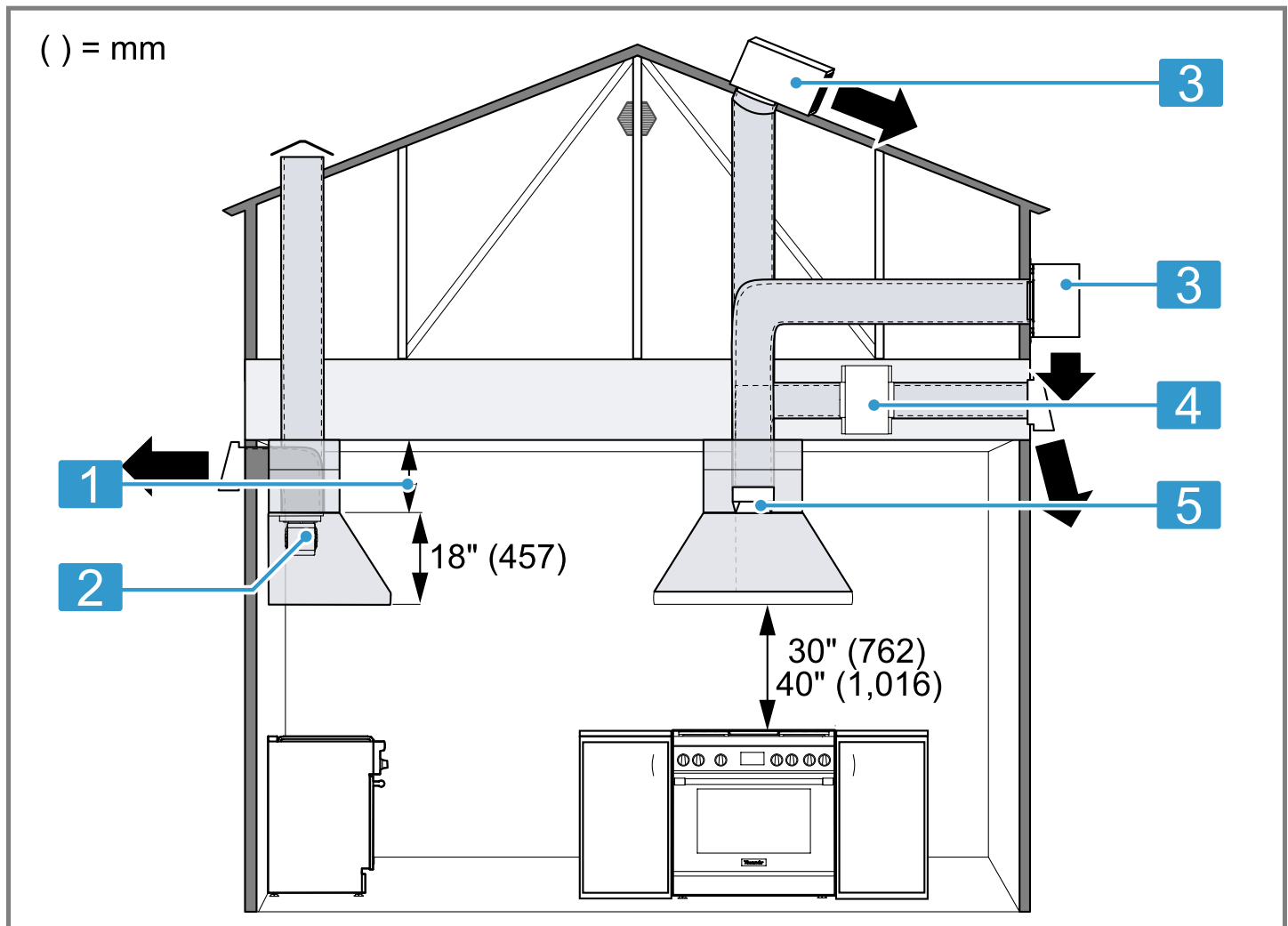
- L'air est évacué vers le haut par un conduit ou directement par une ouverture au travers de la paroi extérieure.
- L'appareil ne peut être monté au mur qu'avec un refoulement vertical.
- Un bon rendement dépend d'un système de gaines adéquat. Les codes du bâtiment locaux peuvent exiger l'utilisation de systèmes d'air d'appoint lorsque vous installez des systèmes de ventilation par conduites de plus grande capacité que le nombre de pieds cubes par minute (pi³/min) spécifiés pour la ventilation.
- Le nombre de pi³/min spécifié varie d'un endroit à l'autre. Il est de la responsabilité du propriétaire et de l'installateur de déterminer si des exigences et/ou des normes supplémentaires s'appliquent à des installations spécifiques.
- **N'UTILISEZ PAS DE CONDUITS SOUPLES**, elles créent une contre-pression ou des turbulences et réduisent le rendement du système.
- Installez toujours un abat-vent de métal au point de sortie de la gaine, à l'extérieur.
- L'appareil doit être ventilé à l'extérieur du bâtiment uniquement.
- Pour les installations de systèmes de gaines en **CLIMAT FROID**, veuillez installer un clapet antiretour supplémentaire pour atténuer le retour d'air froid et une résistance thermique non métallique pour minimiser la conduction de la température externe. Le clapet antiretour doit être installé du côté de l'air froid de la résistance thermique. La rupture doit être aussi proche que possible de l'endroit où le conduit entre dans la partie chauffée de la maison.
- **AIR D'APPOINT** : Les codes du bâtiment locaux peuvent exiger l'utilisation de systèmes d'air d'appoint lorsque vous installez des systèmes de ventilation par conduites de plus grande capacité que le nombre de pieds cubes par minute (pi³/min) spécifiés pour la ventilation. Le nombre de pi³/min spécifié varie d'un endroit à l'autre. Il incombe au propriétaire et à l'installateur de déterminer si des exigences et/ou normes additionnelles s'appliquent pour des installations spécifiques.
- Pour réduire le risque de feu et pour évacuer correctement l'air, évacuez l'air vers l'extérieur. Ne pas évacuer l'air évacué dans les espaces avec des murs ou des plafonds ou dans les greniers, les vides sanitaires ou les garages.
- Thermador recommande de ne pas dépasser 50 pi (15,24 m) équivalent de conduit.
- Maintenez le système de gaines aussi court et droit que possible. Les coudes et les raccords de transition réduisent l'efficacité du débit d'air. Les coudes installés l'un après l'autre et les configurations en « S » donnent un très faible rendement et ne sont pas recommandés.
- Une gaine droite et courte installée à l'admission d'un souffleur à distance offre le meilleur rendement d'aspiration.
- Les hottes sont fournies avec une transition de 10 po (254 mm). Pour d'autres diamètres, une pièce de transition fournie dans la région est requise.
- Utilisez le tableau « Longueurs de conduits équivalentes pour les transitions couramment utilisées » pour calculer les longueurs admissibles pour les conduits vers l'extérieur. → *Page 35*

Longueurs de conduits équivalentes pour les transitions couramment utilisées

Type de conduit	Diamètre de la pièce (po)	Longueur équivalente (pi)	Type de conduit	Diamètre de la pièce (po)	Longueur équivalente (pi)
 Circulaire droit	6	1.2	 3¼ po x 10 po à coude circulaire à 90°	6	10
	8	0.7			
	10	0.6			
 3¼ po x 10 po droit	S/O	1	 Coude inversé gauche à centre de 3¼ po x 10 po	S/O	15
 3¼ po x 14 po droit	S/O	0.7	 Coude inversé droit à centre de 3¼ po x 10 po	S/O	25
 Coude circulaire à 90°	6	12	 Coude inversé à gauche de 3¼ po x 10 po	S/O	15
	8	6			
	10	5			
 Coude circulaire à 45°	6	5	 Coude inversé à droite de 3¼ po x 10 po	S/O	25
	8	3			
	10	2			
 Coude de 3¼ po x 10 po à 90°	S/O	5	 Bouche d'aération circulaire murale	6	2
				8	2
				10	2
 Coude de 3¼ po x 10 po à 45°	S/O	15	 Bouche d'aération circulaire de toit	6	2
				8	2
				10	2
 Coude plat de 3¼ po x 10 po	S/O	20	 Conduit souple de 3¼ po x 10 po de 2 pieds de long	S/O	20
 Circulaire à 3¼ po x 10 po	6	1			
	8	10			
 3¼ po x 10 po à circulaire	6	5	 Support de fixation et obturateur de toit de 3¼ po x 10 po	S/O	2
	8	2			
 Circulaire à coude de 3¼ po x 10 po à 90°	6	10			

Remarque : Ces pièces d'installation couramment utilisées peuvent être achetées dans une quincaillerie locale. Thermador ne fabrique pas toutes ces pièces.

Dispositions courantes de conduites



1	Varie
2	Ventilateur intégré
3	Ventilateur à distance
4	Ventilateur en ligne
5	Clapet antirefoulement de la conduite de transition

Remarque : REMARQUE : L'image ne présente pas toutes les dispositions ou méthodes d'installation. Elle est à titre indicatif SEULEMENT.

4.2 Choisir le bon ventilateur

Tous les modèles de ventilateur sont vendus séparément. Il est recommandé d'utiliser uniquement des ventilateurs Thermador avec des hottes de ventilation professionnelles Thermador. Voir le « Guide de planification de la ventilation » pour les ventilateurs recommandés. Contactez le service à la clientèle pour des options supplémentaires.

→ "Service à la clientèle", Page 48

Vous pouvez acheter des ventilateurs intégrés, en ligne et à distance auprès de votre revendeur agréé Thermador. Pour obtenir des informations sur les revendeurs locaux, visitez la section « Trouver un revendeur » sur www.thermador.com.

Les options de performance du ventilateur varient en pieds cubes par minute (PCM). Les performances requises sont dictées par la surface de cuisson, le volume d'air à déplacer et la longueur du conduit. Pour les longs conduits avec plusieurs virages et coudes, envisagez d'utiliser un ventilateur plus puissant. Pour une évacuation d'air plus efficace, utilisez une conduite droite ou le moins de coudes possible.

→ "Préparation des conduits", Page 34

Options de soufflerie

Description	UGS (SKU)
Ventilateur à distance Monté sur le toit ou le mur extérieur	VTR2FZ
Souffleur en ligne Monté entre la cuisine et le mur extérieur	VTI2FZ

Description	UGS (SKU)
Ventilateur intégré	VTN2FZ
Monté à l'intérieur de la hotte	VTN2DA

Câble d'extension de 25 pi pour ventilateur à distance et en ligne

Le câble accessoire doit être acheté séparément. NE PAS utiliser plus d'un câble de rallonge par installation.

Description	UGS (SKU)
Câble d'extension de 25 pi pour ventilateur à distance et en ligne Disponible pour connecter la hotte aux ventilateurs en ligne et à distance pour des distances allant jusqu'à 25 pieds.	EXTNCB25W

4.3 Pièce de transition de la hotte

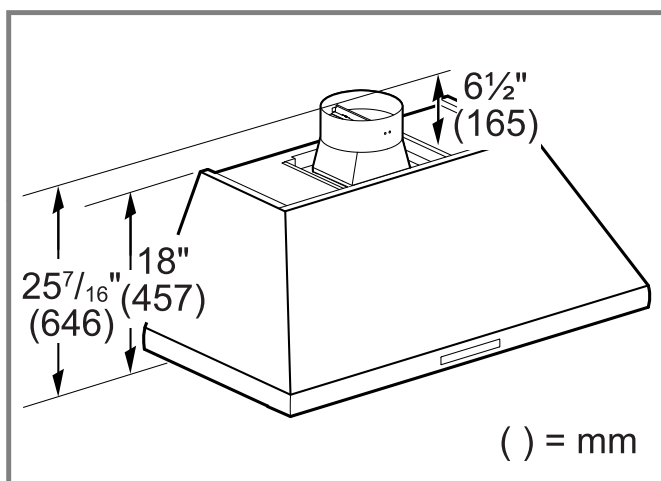
Direction d'évacuation

L'air est évacué vers le haut par un conduit ou directement par une ouverture au travers de la paroi extérieure. La hotte peut être montée au mur uniquement avec une évacuation verticale.

Fixation de la transition de la hotte

Votre hotte est fournie avec une transition ronde de 10 po (254 mm). Pour d'autres diamètres, une pièce de transition fournie dans la région est requise.

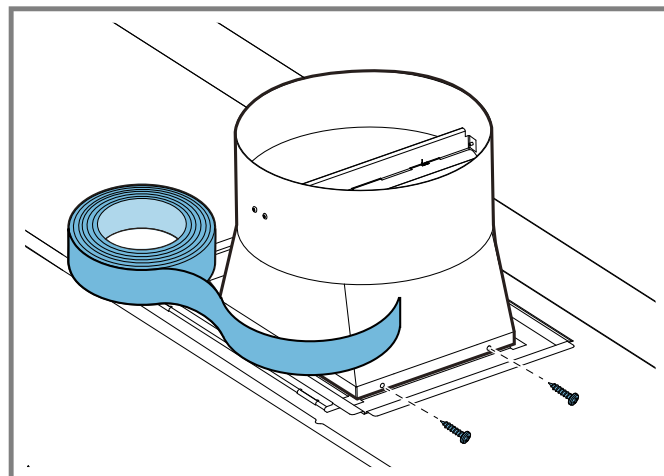
1. Un dégagement en hauteur minimum de 6 ½ po (165 mm) est nécessaire au-dessus de la hotte pour le montage de transition.



2. Alignez les trous de montage à la base de la transition sur les trous de montage de la bride de ½ po (13 mm) située en haut de la hotte.
3. Fixez la transition à la hotte à l'aide de quatre (4) vis à tôle de ¼ po (6 mm) fournies avec la hotte.

Remarque : Assurez-vous que les vis ne gênent pas le fonctionnement du registre.

4. Scellez la connexion entre la transition et la hotte avec du ruban d'aluminium. N'UTILISEZ PAS de ruban adhésif en toile. Assurez-vous que le raccord est complètement scellé.



5. Retirez le ruban adhésif qui maintient le registre fermé.

5 Installation

⚠ AVERTISSEMENT

Avant l'installation, couper l'alimentation au panneau de service.

- ▶ Verrouiller le panneau de service pour empêcher que l'alimentation ne soit rétablie par accident.

5.1 Hauteur d'installation :

Hauteur d'installation au-dessus de la surface de cuisson :

- Hauteur minimale : 30 po (762 mm)
- Hauteur maximale suggérée : 40 po (1 016 mm)

AVIS :

Suivez toujours les instructions d'installation du fabricant de l'appareil de cuisson pour une hauteur d'installation appropriée.

Calcul de la hauteur d'extension de cheminée optionnelle

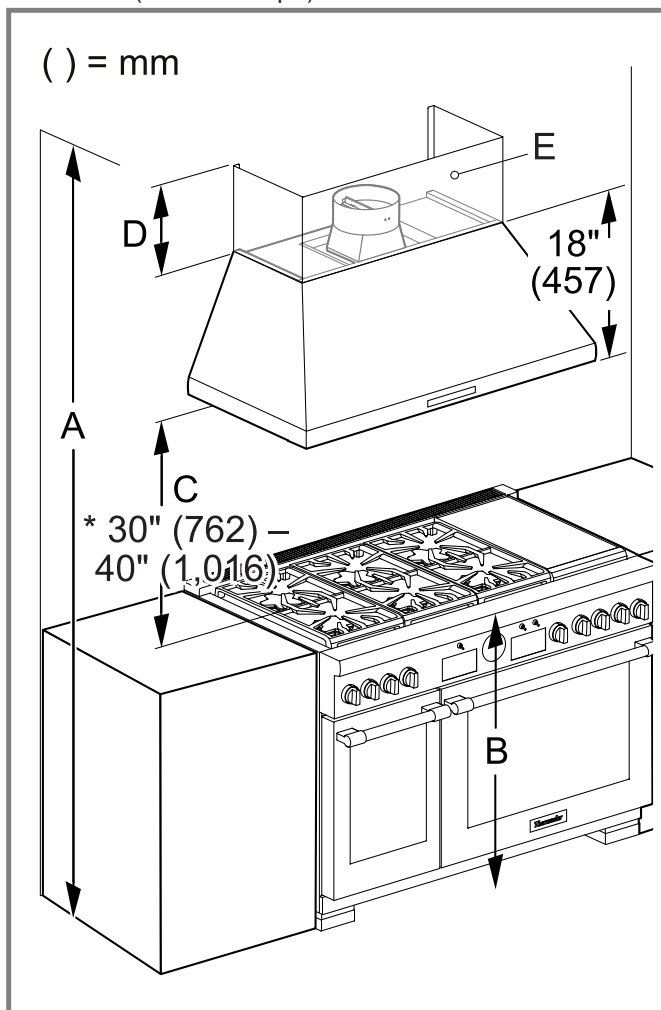
Des extensions de cheminée optionnelles sont disponibles à l'achat dans les tailles de 6 po (153 mm) et de 18 po - 35 po (457 - 889 mm) pour couvrir l'espace entre le haut de la hotte et le plafond. Prenez les mesures indiquées dans l'image suivante à votre emplacement d'installation.

AVIS :

REMARQUE : La hotte peut être endommagée par la chaleur si une cuisinière ou une table de cuisson Thermador Professional® est utilisée avec plusieurs brûleurs à des réglages élevés sous une hotte installée avec un minimum d'espace libre lorsque la hotte est éteinte.

1. Mesurez la hauteur du sol au plafond (A).

2. Mesurez la hauteur entre le sol et la surface de cuisson (B).
3. Mesurez la hauteur de montage de la hotte du bas de la hotte à la surface de cuisson (C). La dimension doit être d'au moins 30 po (762 mm).
4. Calculez la hauteur du couvercle de conduit en option (D) :
 – $D = A - (B + C + 18 \text{ po})$.



*Suivez les recommandations du fabricant de l'appareil de cuisson.

5.2 Préparation du câblage

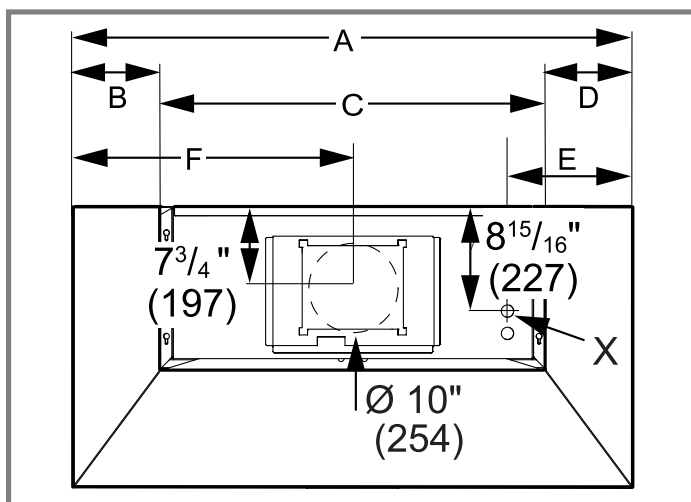
IMPORTANT : couper un connecteur sur l'appareil ou la trousse de rallonge annulera la garantie.

Assurez-vous que le câblage n'interfère pas avec le couvercle optionnel du conduit de cheminée (lorsque le couvercle touche le mur).

Découpe du plafond

- La boîte de jonction est située en haut à droite de la hotte.
- Le câblage doit entrer à au moins 20 po (508 mm) au-dessus du bas de la hauteur d'installation.
- Préparez la découpe dans le plafond pour le câblage, comme indiqué ci-dessous, avec un trou de dégagement de 5/8 po (16 mm) de diamètre pour faire passer le conduit de 1/2 po (12,7 mm) vers la boîte de jonction.

Vue de dessus de cheminée



	HPCN36WS	HPCN48WS
A	35 15/16" (913)	47 15/16" (1 218)
B	7 1/2" (190)	7 1/2" (190)
C	21 po (533)	33 po (838)
D	7 1/2" (190)	7 1/2" (190)
E	9 5/8 po (244)	10 9/16 po (268)
F	18 po (457)	24 po (610)

5.3 Préparation du mur arrière

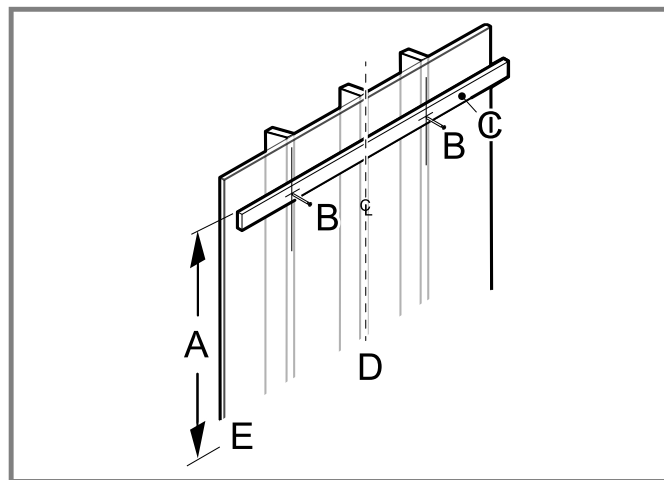
IMPORTANT : La hotte doit être centrée sur la surface de cuisson pour de meilleures performances.

Remarque : La quincaillerie fournie sert au montage sur une cloison sèche ou de plâtre d'épaisseur normale avec des montants de bois. Il incombe à l'installateur de fournir la quincaillerie nécessaire à d'autres types de mur.

Accrocher le support en bois

1. COUPEZ l'alimentation électrique au boîtier à fusibles ou des disjoncteurs. Verrouillez le boîtier pour empêcher que l'alimentation ne soit RÉTABLIE par accident.
2. Calculez la hauteur d'installation de la hotte comme décrit. → Page 37

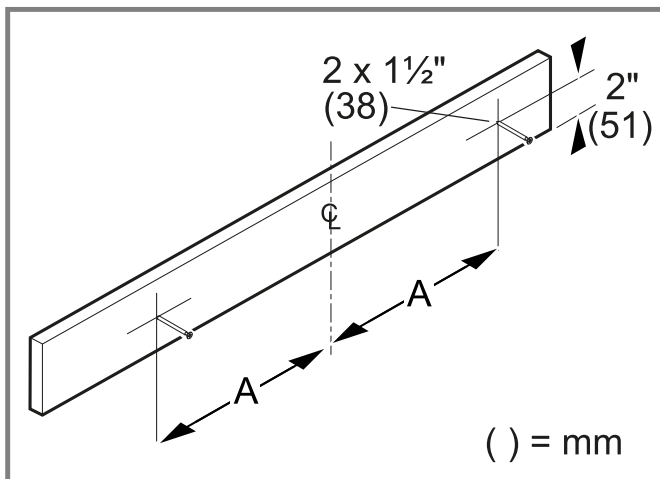
3. Tracez une ligne horizontale à une distance au-dessus de la surface de cuisson égale à la hauteur d'installation de la hotte plus de 16 po (406 mm). Cette ligne est l'emplacement de montage du support en bois livré avec la hotte.



- | | |
|---|--|
| A | Distance à la surface de cuisson plus 16 po (406 mm) |
| B | Vis de 3 po (76 mm) |
| C | Support en bois (inclus) |
| D | Ligne centrale de la table de cuisson |
| E | Surface de cuisson |

4. Déterminez l'axe central de la hotte. Tracez une ligne verticale le long de cette ligne centrale jusqu'à la ligne horizontale tracée à l'étape précédente.

5. La hotte est fixée au mur à l'aide du support en bois livré avec la hotte. Retirez le support en bois situé à l'arrière de la hotte en retirant les deux vis d'expédition. Jetez les vis d'expédition.
6. Marquez la ligne médiane du support en bois.
7. Localisez un montant des deux côtés de la ligne centrale de la hotte à utiliser pour le montage du support en bois.
8. Alignez le haut du support en bois le long de la ligne horizontale tracée précédemment. Alignez les axes du support et de la table de cuisson.
9. Percez un trou taraudé de 3 po (76 mm) de ¼ po (6 mm) de profondeur à travers le support en bois, le mur et dans le montant.
10. Retirez le support et placez-le sur une surface solide. Agrandissez le trou en perçant un trou de 5/16 po (8 mm) à travers le support en bois. Utilisez une mèche à fraiser pour faire un trou assez grand pour fraiser les têtes de vis afin d'éviter toute interférence avec la hotte.
11. Utilisez deux (2) vis de 3 po (76 mm) pour fixer le support en bois au mur.
12. Sur le support en bois, marquez les emplacements utilisés pour accrocher la hotte tel qu'illustré.



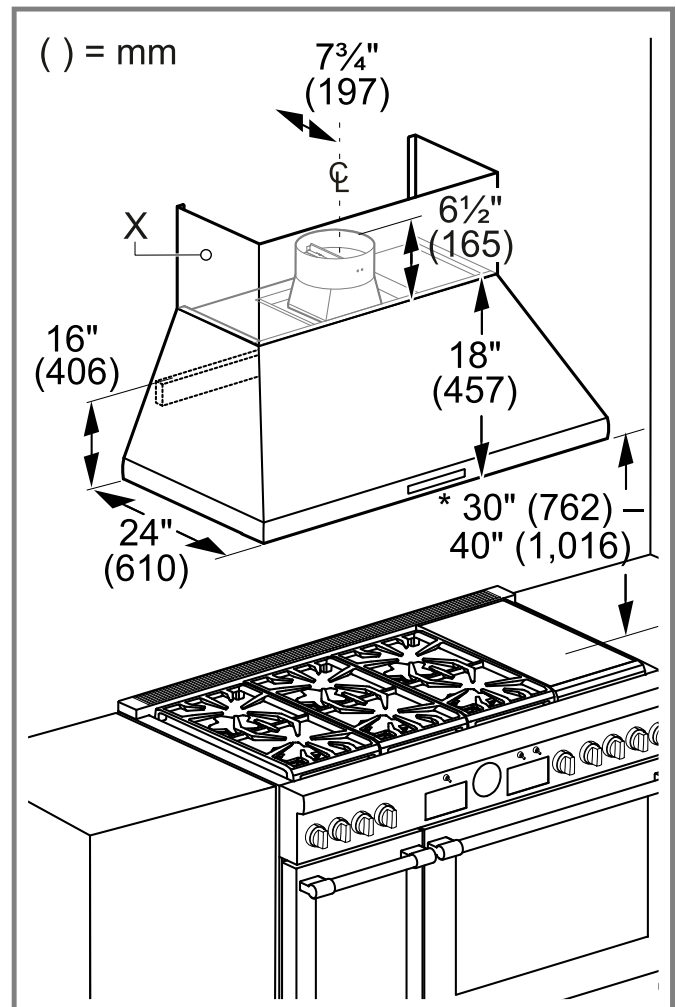
Taille de la hotte	A
36 po (914 mm)	7 3/4 po (197 mm)
48 po (1 219 mm)	13 3/4 po (350 mm)

13. Percez un trou taraudé de 3/16 po (4,8 mm) à travers le support en bois et le mur. Ces vis de 5/8 po (16 mm) n'ont pas besoin d'être insérées dans les montants.
14. Utilisez deux (2) vis de 1 1/2 po (38 mm) pour fixer le support en bois en laissant 1/4 po (6 mm) de chaque vis exposée pour suspendre la hotte.

5.4 Accrocher la hotte cheminée murale

Exigence

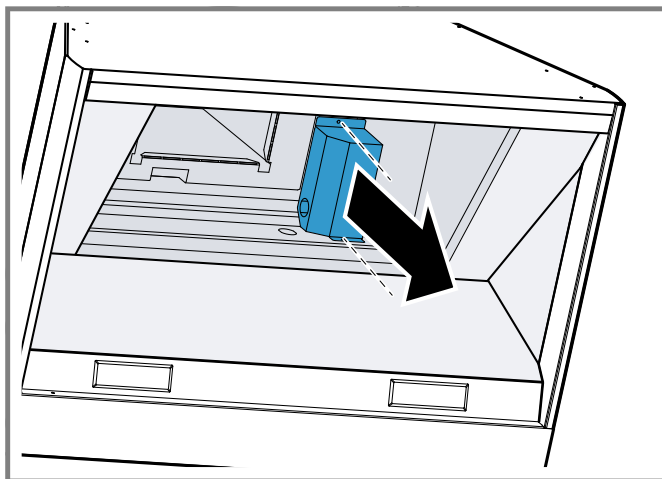
- La pièce de transition fournie avec la hotte se raccorde à une conduite standard de 10 po de diamètre. Assurez-vous que la transition est fixée et que les vis ne gênent pas le fonctionnement de l'amortisseur.
→ "Fixation de la transition de la hotte", Page 37
 - Les installations nécessitent une découpe dans le plafond pour accueillir un conduit de 10 "(254 mm).
→ "Découpe du plafond", Page 38
1. Les installations nécessitent une découpe pour le conduit électrique de 1/2 po (13 mm).
→ "Découpe du plafond", Page 38



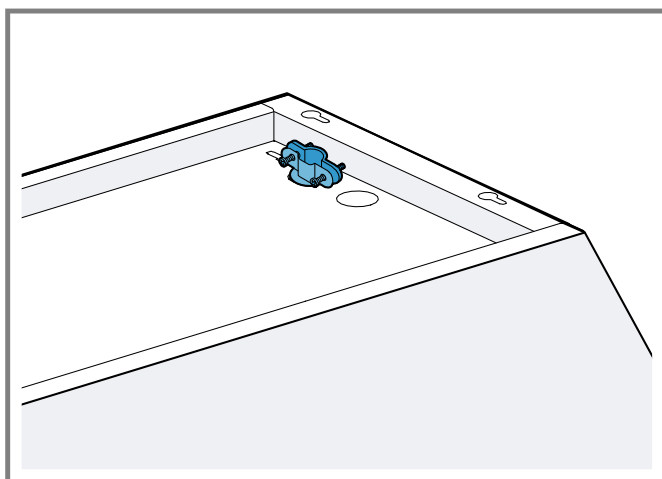
X Rallonge de cheminée en option

Remarque : Suivez les recommandations du fabricant de l'appareil de cuisson.

2. Utilisez un tournevis cruciforme T-20 pour retirer la vis fixant le canal de la boîte de jonction recouvrant les fils.

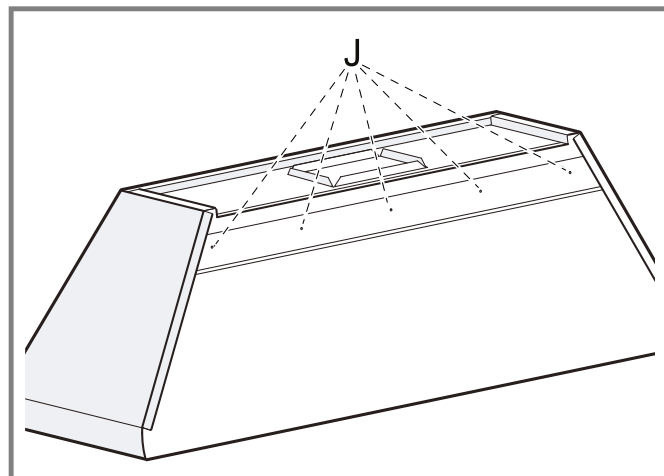


3. Retirez une découpe circulaire derrière le canal de la boîte de jonction. Fixez un serre-câble de 1 po (25,4 mm) (non inclus).



4. À l'aide de deux personnes pour soulever, posez la hotte sur le support en bois. Assurez-vous que le support en bois s'insère dans le renforcement à l'arrière de la hotte.

5. De l'intérieur de la hotte, pré-percez les trous marqués « J » dans la hotte dans le support en bois avec une mèche de 5/8 po (16 mm). Fixez la hotte au support de bois avec cinq (5) vis de 1 1/2 po (38 mm).



6. Connectez des conduits supplémentaires.

5.5 Installation du moteur du ventilateur

⚠ MISE EN GARDE

Pour réduire le risque d'incendie et de choc électrique, installez cette hotte de cuisinière uniquement avec les ventilateurs répertoriés dans le Guide de planification de la ventilation.

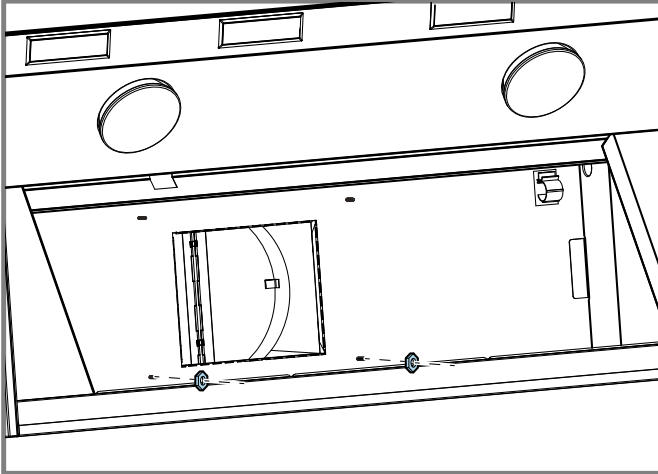
Remarque : Couper la prise du ventilateur annulera la garantie ou l'éligibilité au retour ou à l'échange.

Installation de la soufflerie intégrée

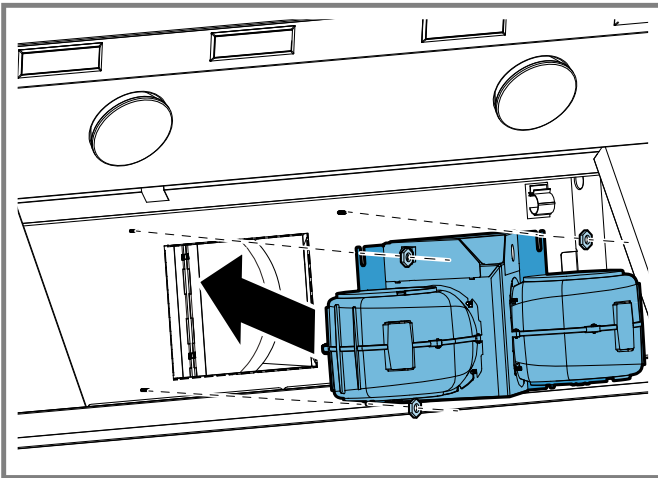
Les modèles à soufflerie intégrale sont intégrés à la hotte au moment de l'installation. Les ventilateurs intégrés doivent être installés après le montage de la hotte au mur. Pour accéder aux instructions de montage complètes, consultez les directives fournies avec le module du souffleur.

Remarque : Les vues d'image du ventilateur et de la hotte varient selon le modèle.

1. Vissez un (1) écrou à bride de 4m (inclus avec la hotte) à mi-chemin de chacun des deux goujons à souder indiqués.

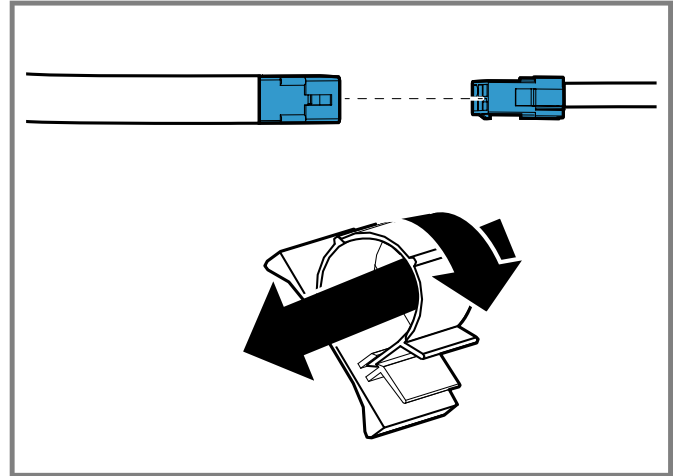


2. Faites glisser la plaque de montage du ventilateur derrière les écrous sur les goujons à souder.



3. Installez deux (2) écrous à bride de 4m (inclus avec la hotte) sur les goujons à souder supérieurs et serrez.
4. Serrez les deux écrous (x2) de l'étape 1 pour fixer complètement le ventilateur à la hotte.

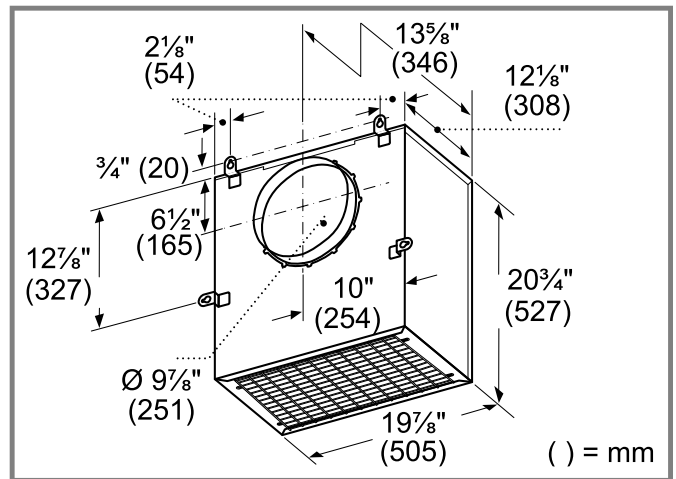
5. Branchez le connecteur enfichable du ventilateur sur le connecteur présent à l'intérieur de la hotte. Acheminez le faisceau du souffle au travers de la clip autoverrouillante.



Installation d'un ventilateur à distance ou d'un ventilateur en ligne

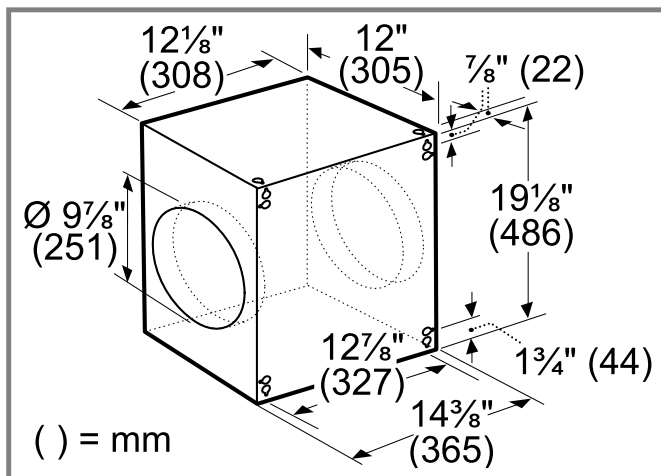
Selon les préférences et la situation des conduits, ces ventilateurs peuvent être installés à l'extérieur de la cuisine. Cela réduit le bruit dans la cuisine. Pour accéder aux instructions de montage complètes, consultez les directives fournies avec le module du souffleur.

1. Ventilateur à distance



Les ventilateurs à distance peuvent être montés sur le toit ou le mur extérieur de la maison

2. Souffleur en ligne



Les ventilateurs en ligne peuvent être montés le long de la conduite n'importe où entre la cuisine et le mur extérieur, s'il y a un accès facile à la conduite, par ex. dans un grenier.

3. Connexion du fil du moteur de la soufflerie à distance et en ligne

- Retirez le canal de la boîte de jonction recouvrant les fils.
- Retirez une découpe circulaire.
- Acheminez la fiche du connecteur du moteur du souffleur vers la hotte. Raccordez le faisceau du souffleur à celui de la hotte.
- Acheminez le faisceau du souffle au travers de la clip autoverrouillante.

Raccordement des fils électriques

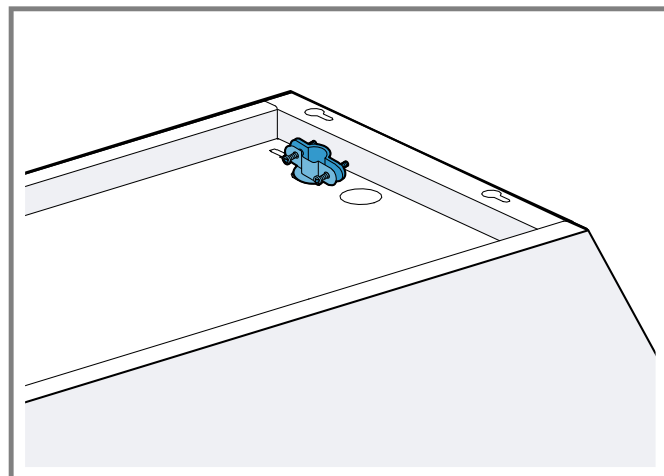
Remarques

- BSH n'est pas responsable des erreurs de câblage lors de l'installation. Les erreurs de câblage d'installation ne sont pas couvertes par la déclaration de garantie limitée du produit.
- Reportez-vous au schéma de câblage fourni avec l'appareil.

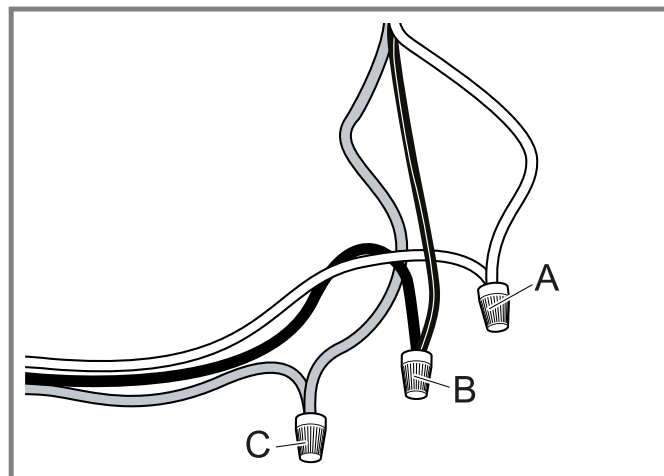


1. Faites passer un câble d'alimentation de circuit de 120 V CA, 15 A depuis le panneau de service jusqu'au serre-câble.

→ "Accrocher la hotte cheminée murale", Page 40



2. Connectez le fil noir au fil noir d'alimentation, le fil blanc au fil blanc d'alimentation et le fil vert au fil vert ou au fil nu.



A Blanc à blanc

B Noir à noir

C Fil vert à vert ou dénudé

3. Placez toutes les connexions de câblage à l'intérieur du canal de la boîte de jonction. Réinstallez sur la plaque supérieure. Assurez-vous que les fils sont bien fixés et qu'aucun fil n'est pincé.

Connexion du câble d'extension (en option)

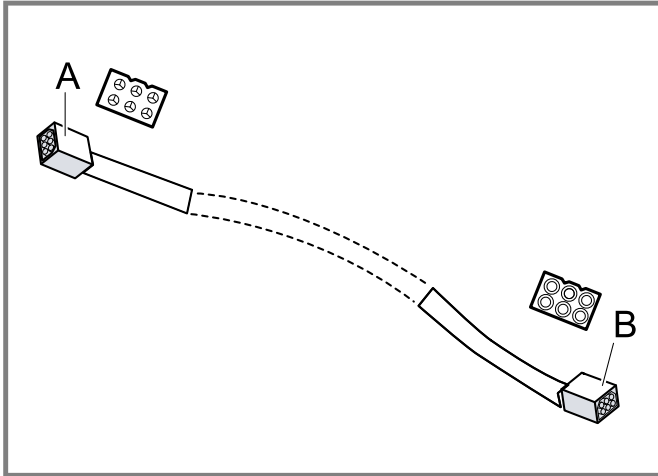
EXTNCB25W Câble d'extension de 25 pi pour ventilateur à distance et en ligne.

1. Pièces incluses :

- Câble de 25 pieds (1)
- Câbles adaptateurs (2) - non nécessaires pour tous les modèles

2. Acheminez le harnais du souffleur interne à travers le réducteur de tension.

3. Connectez le câble d'extension de 25 pieds au harnais du souffleur de la hotte.



- A Valeurs de raccordement à la hotte
B Valeur de raccordement à une soufflerie à distance ou en ligne

Remarque : Couper le connecteur annulera la garantie de l'appareil.

Le câble d'extension du ventilateur est compatible avec les ventilateurs en ligne et à distance suivants :

Ventilateur	Modèle
Ventilateur à distance	VTR2FZ
Souffleur en ligne	VTI2FZ

5.6 Commutateur de relais de volet d'air d'appoint (en option)

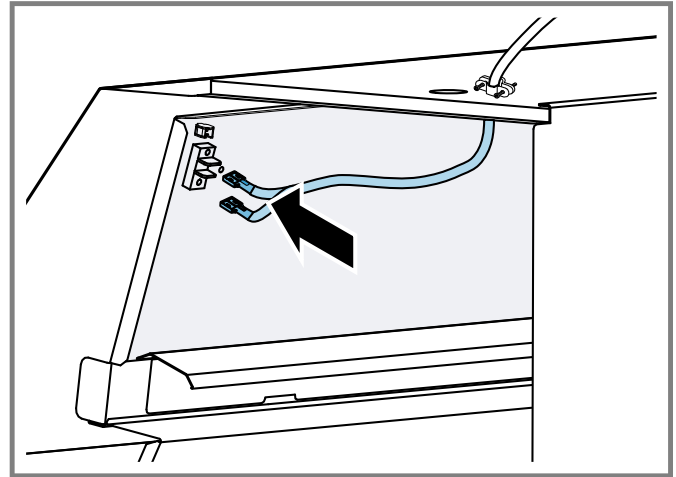
Il se peut que les codes locaux demandent l'utilisation d'un clapet antirefoulement et/ou pour air d'appoint supplémentaire. Communiquez avec un professionnel en système de chauffage, de ventilation et de climatisation (CVC) de votre région pour connaître les exigences.

Cette hotte fournit un interrupteur à relais pour connecter un registre d'air d'appoint (120 V max). Les installations varient en fonction de l'emplacement de la maison où sera installé l'appareil et le clapet utilisé. Utilisez l'illustration suivante comme guide pour votre installation. Respectez toujours les exigences des codes locaux.

Raccordement du commutateur de relais du volet d'air d'appoint

1. Accédez au câblage de la hotte.

2. Acheminez le faisceau du clapet d'appoint d'air par le protecteur de fil vers la plaque à bornes.
- Les raccordements électrique et de retour de la trousse d'appoint d'air s'enfichent dans n'importe quelle borne. Il n'y a aucune exigence en matière de polarité sur la plaque à bornes à deux broches.



3. Fixez solidement le fil de mise à la terre avec la vis verte de mise à la terre T-20.

5.7 Accessoire de télécommande intégré (en option)

Lisez attentivement les présentes directives avant de commencer. Nous conseillons de câbler la télécommande à la hotte après installation de cette dernière.

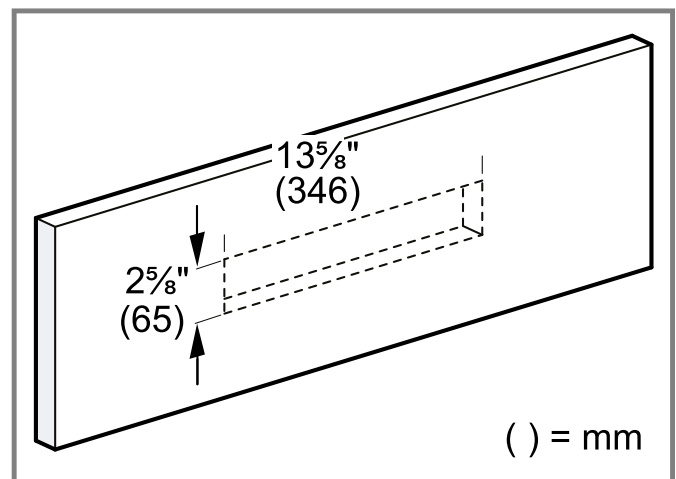
IMPORTANT : Sectionner un connecteur vers l'appareil ou la trousse de la rallonge annulera la garantie.

Pièces REMCPW incluses :

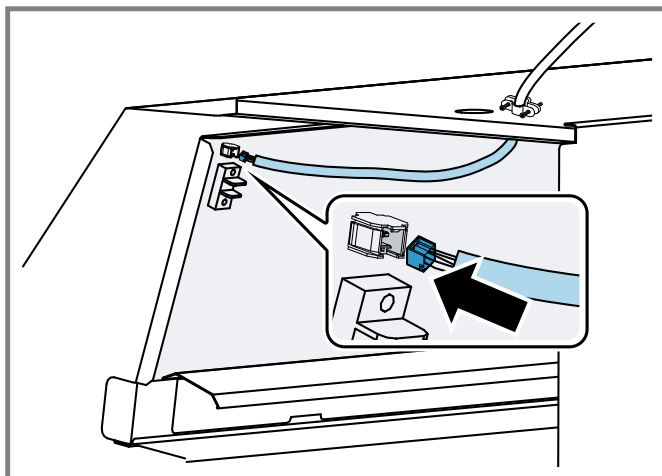
- Télécommande (1)
- Faisceau d'extension de 30 pi (914 cm) (1)

Installation de la télécommande

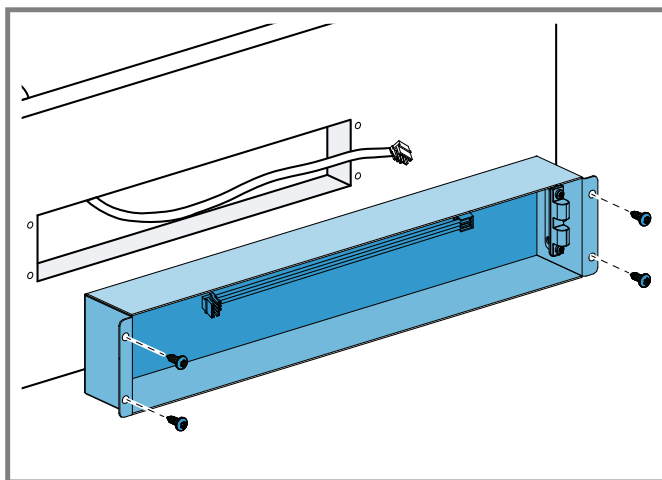
1. Préparez la découpe dans le mur ou une surface similaire pour l'installation comme indiqué ci-dessous (la vue est montrée face au mur).



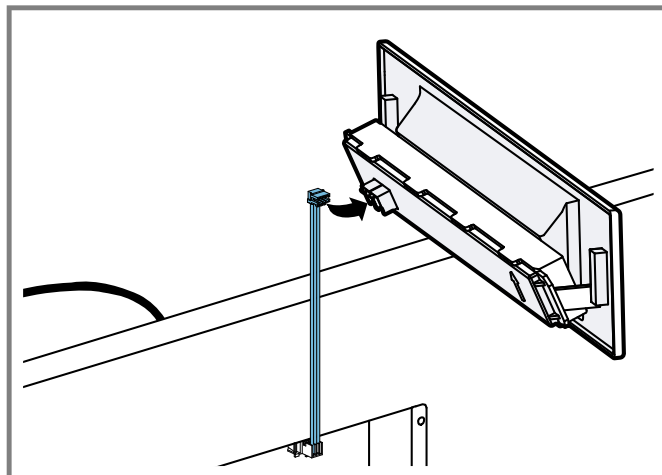
2. Accédez au câblage de la hotte. Acheminez le faisceau d'extension de 30 pi (914 cm) vers la bride de fixation carrée en passant à travers le protecteur de cordon jusqu'à ce qu'il s'enclenche.



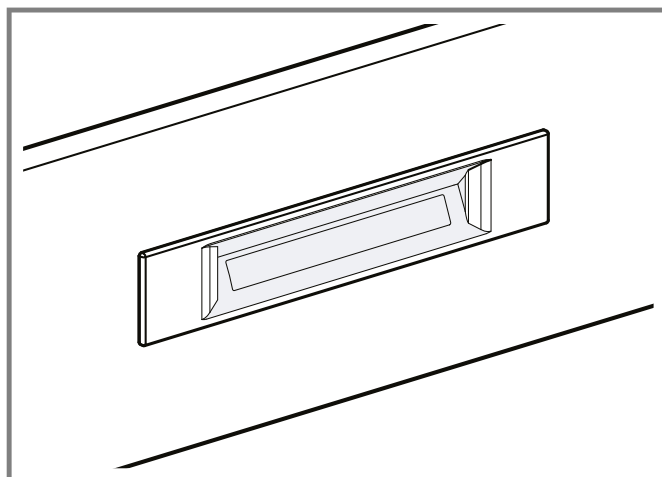
3. Faites passer le faisceau d'extension de 30 pi (914 cm) par la découpe et fixez-le au dos du support de la télécommande.
4. Fixez le support à l'intérieur de la découpe en appuyant dessus. Percez un trou taraudé de 1/4 po (6 mm) dans les trous du support pour atteindre le mur. Fixez le support au mur avec les quatre (4) vis fournies.



5. Raccordez le connecteur du faisceau de fil à l'intérieur du support à la borne au dos de la télécommande. Utilisez une borne ou l'autre.



6. Enclenchez la télécommande dans le support.



5.8 Caisson pour masquer les conduites (facultatif)

Des extensions de couvercle de conduit en option et des extensions télescopiques sont utilisées pour remplir l'espace entre la hotte et le plafond. Les extensions sont disponibles à l'achat séparément.

- Utilisez des rallonges de cheminée pour les plafonds de 8 pi (2,4 m)
- Utilisez des rallonges télescopiques pour les plafonds de 10 pi (3 m).

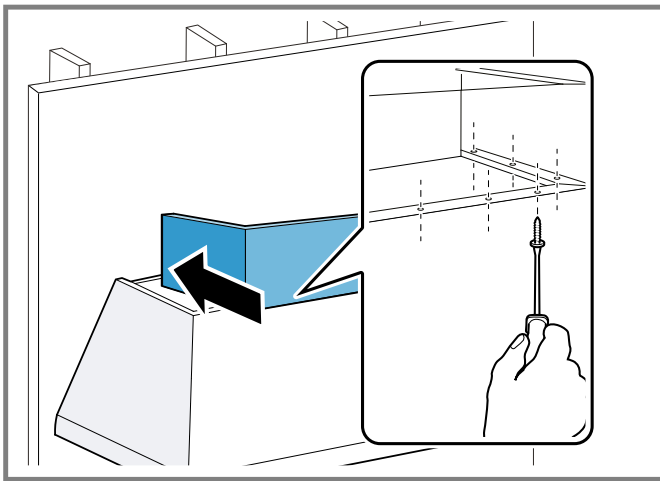
Modèle de hotte	Rallonge de 6 po	Rallonge télescopique
HPCN36WS	CHMHP366W	CHMHP48TW (18 po– 35 po) CHMHP48XTW (42 po–59 po)
HPCN48WS	CHMHP486W	CHMHP48TW (18 po– 35 po) CHMHP48XTW (42 po–59 po)

Installation de l'extension de cache-conduit

Exigence : IMPORTANT : Fixez la hotte cheminée murale au mur avant d'installer l'extension de cheminée.

→ Page 40

- Maintenez une hauteur minimum de 30 po (762 mm) entre la face inférieure de la hotte et la surface de cuisson lors de l'installation de la cheminée murale. Pour déterminer l'emplacement de la hotte avec une rallonge de cheminée, la hauteur de la rallonge de cheminée doit être calculée.
→ "Calcul de la hauteur d'extension de cheminée optionnelle", Page 37
- De l'intérieur de la hotte, vissez les vis à tête de 5/8 po (16 mm) fournies dans les trous de chaque côté et le long de l'avant dans le bas de l'extension, comme illustré ci-dessous. La quantité de vis dépend de la taille de la hotte.

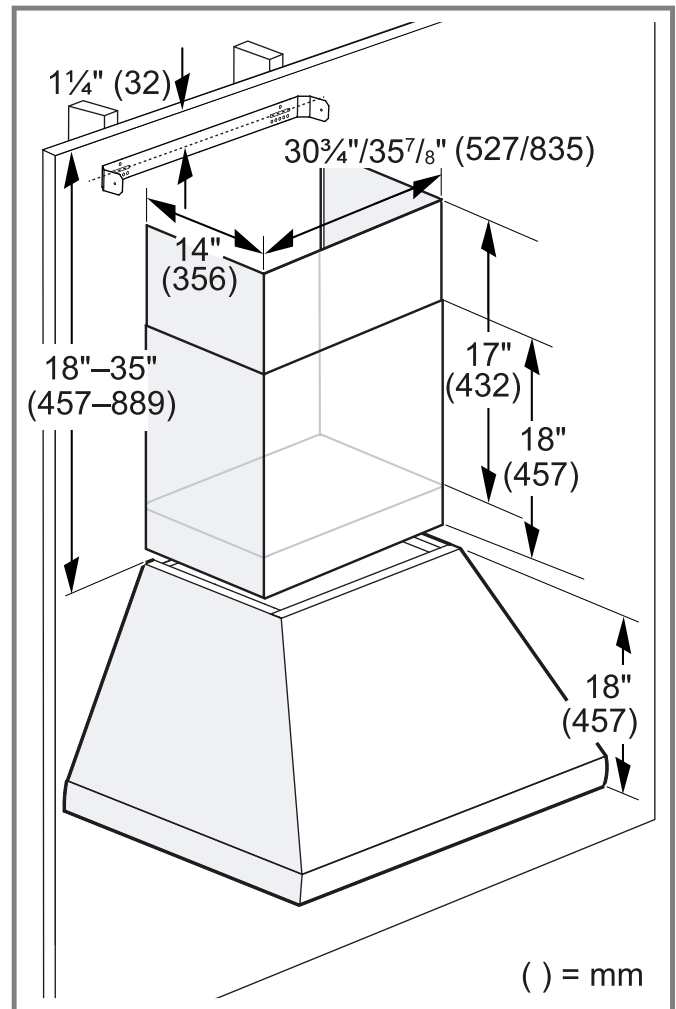


Installation de la rallonge de cheminée télescopique

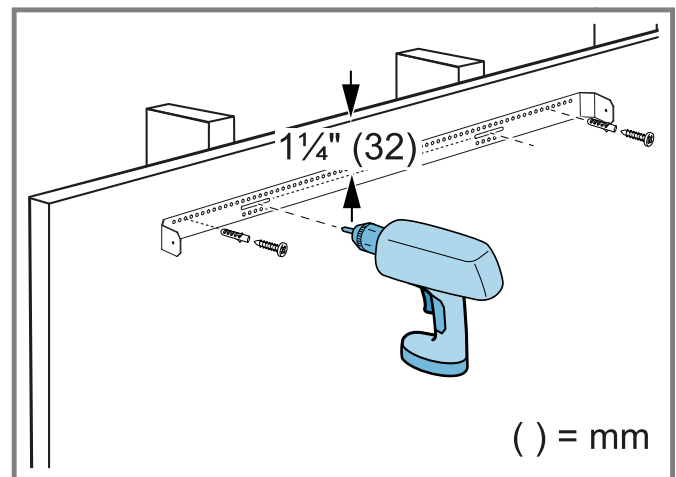
Exigence : IMPORTANT : Fixez la hotte cheminée au mur après avoir installé le support de montage de l'extension, mais avant d'installer l'extension de cheminée télescopique. Voir « Accrocher la hotte cheminée murale » avant de fixer l'extension proprement dite. → Page 40

- Assurez-vous de maintenir la hauteur minimum de 30 po (762 mm) entre la face inférieure de la hotte et la surface de cuisson.
→ "Calcul de la hauteur d'extension de cheminée optionnelle", Page 37

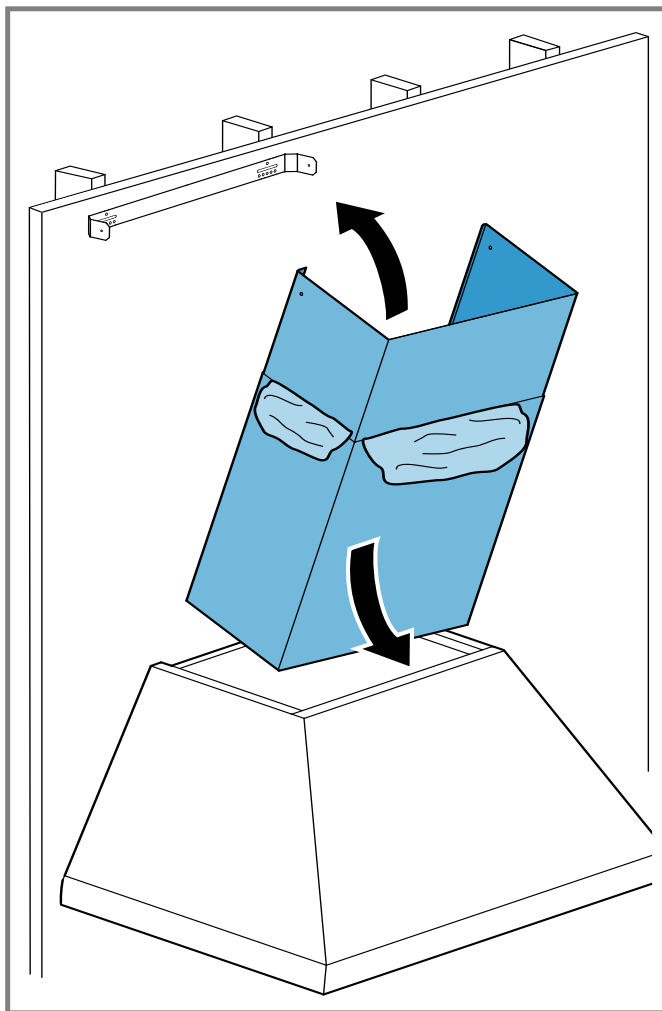
- Localisez les deux montants à l'emplacement de fixation.



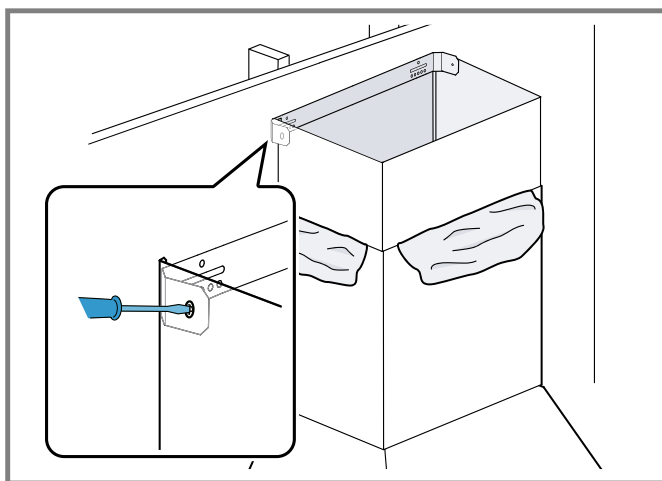
- Aux emplacements des montants du mur, mesurez 1 1/4 po (32 mm) du plafond au milieu du support.
- Montez le support aux emplacements des poteaux muraux à l'aide de deux (2) vis de 1 1/2 po (38 mm) (fournies). Assurez-vous que le support est nivelé.



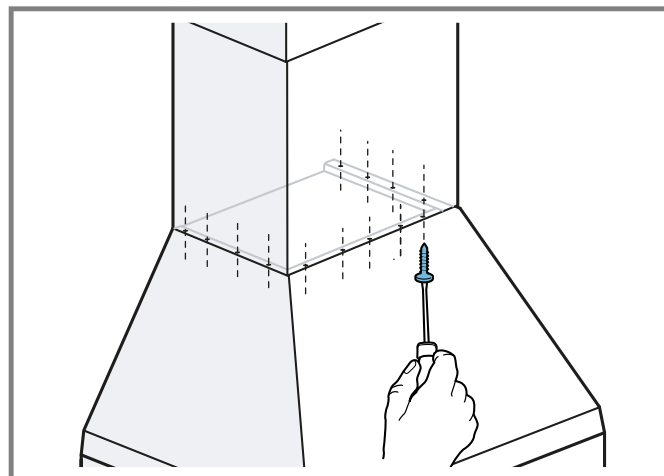
5. Insérez le caisson au complet en l'inclinant et faites-le pivoter vers le mur.



6. Tirez délicatement la partie supérieure du caisson vers le haut. Vissez les côtés gauche et droit du caisson à l'équerre de fixation avec les vis en acier inoxydable fournies.



7. À partir de l'intérieur de la hotte, vissez les vis à tête de 5/8 po (16 mm) fournies dans les trous des sections latérales et avant du bas du caisson. Le nombre de vis dépend de la taille de la hotte.



5.9 Installation des bacs à graisse et des filtres

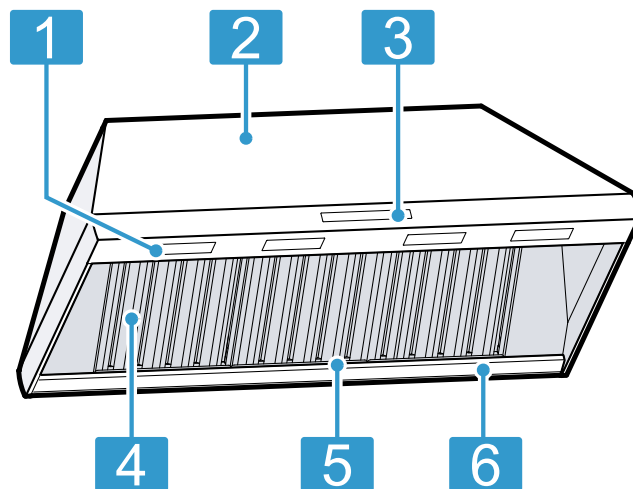
IMPORTANT : NE PAS utiliser la table de cuisson ou la cuisinière sans la hotte.

Hotte murale cheminée

HPCNxxWx

Dimensions disponibles : 24 po (610 mm) de profondeur, avec des largeurs de 36 Po (914 mm) et 48 po (1 219 mm).

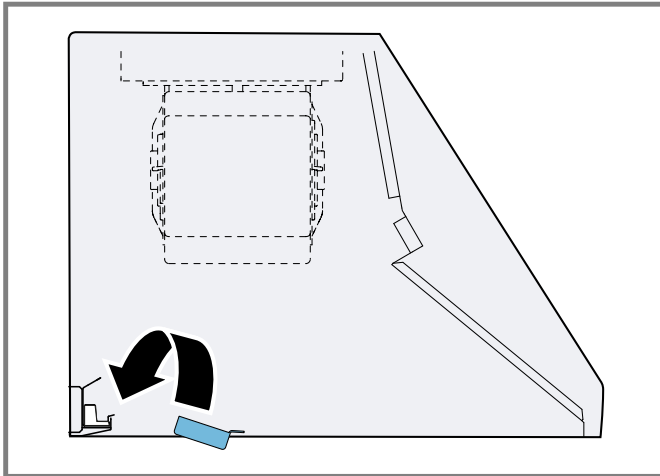
Les modèles de cette série comportent un auvent en acier inoxydable brossé avec un éclairage à DEL.



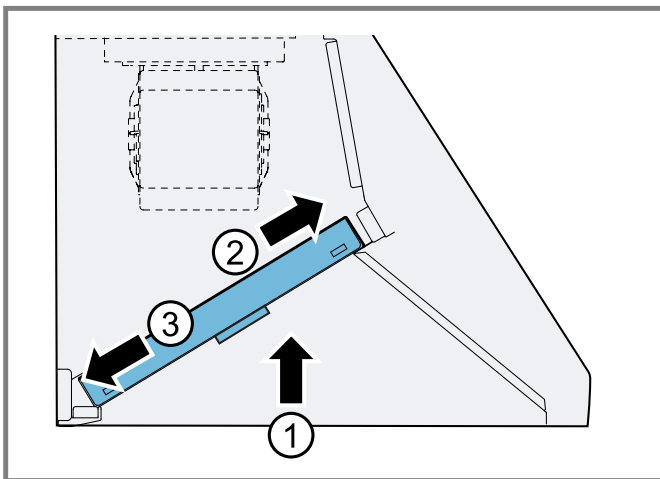
- | | |
|---|------------------------------|
| 1 | Lumières à DEL |
| 2 | Auvent de la hotte |
| 3 | Panneau à commandes tactiles |
| 4 | Filtres à déflecteurs |
| 5 | Bacs à graisse |
| 6 | Bac à graisse |

Installation des filtres et bacs à graisse

1. Éteignez le ventilateur et les lumières.
2. Retirez tout le plastique des pièces de la hotte.
3. Insérez le bac à graisse dans le bac arrière. Insérez puis enfoncez complètement le plateau à graisse dans le compartiment. Installer les plateaux à graisse avant les filtres.
 - Le petit bac à graisse doit être installé au centre de la hotte.



4. Installez les filtres. Commencer avec un filtre externe. Saisissez le filtre par la poignée, le cas échéant, ou par les côtés. Ne placez pas les doigts à l'intérieur des lamelles du filtre. Glissez le filtre vers le haut en direction de l'avant de la hotte puis enfoncez-le sur le dessus du plateau à graisse.



5. Pour retirer les filtres et les bacs à graisse, assurez-vous que les filtres sont froids et que la graisse a figé. Procédez ensuite dans l'ordre inverse des instructions précédentes.

6 Liste de contrôle de l'installateur

Dernière vérification

- Dégagements spécifiés maintenus avec les surfaces des armoires.
- Appareil électroménager de niveau.

- Tout le matériel d'emballage retiré.
- Connexion de mise à la terre appropriée.
- Le propriétaire sait où se trouve le disjoncteur principal.
- INSTALLATEUR : Notez le numéro de modèle et le numéro de série dans le manuel. Laissez le manuel et manuel d'installation avec le propriétaire de l'appareil.

Pour nettoyer et protéger les surfaces extérieures

- Nettoyez les surfaces en acier inoxydable en les essuyant avec un chiffon savonneux humide. Rincez à l'eau claire et séchez avec un chiffon doux pour éviter les traces d'eau. Enlevez les empreintes digitales et les taches avec un nettoyant pour vitres doux.
- Appliquez un produit revitalisant pour acier inoxydable avec un chiffon doux pour polir et protéger la surface. Le conditionneur en acier inoxydable Thermador est disponible à l'achat dans la boutique d'accessoires en ligne (États-Unis uniquement) www.thermador.com/us/accessories.
- N'utilisez pas le conditionneur sur des surfaces autres qu'en acier, des logos, des marques de contrôle, des étiquettes, de l'acier inoxydable noir ou résistant aux taches et des intérieurs d'appareils.
- NE PAS laisser de dépôts sur les surfaces pendant de longues périodes.
- NE PAS utiliser des brosses en acier ou de la laine d'acier ordinaires. De petits morceaux d'acier pourraient coller à la surface et provoquer des taches de rouille.
- NE PAS laisser de solutions à base de sel, des produits désinfectants, des javellisants ou des composés de nettoyage en contact avec l'acier inoxydable pendant des périodes prolongées. Plusieurs de ces composés renferment des produits chimiques qui pourraient être nocifs. Rincez avec de l'eau après l'exposition et séchez avec un chiffon propre.

Dépannage

Voir le manuel pour obtenir des informations de dépannage.

Reportez-vous à la garantie limitée du produit dans le Guide d'utilisation et d'entretien. Veuillez vous préparer avec les informations imprimées sur la plaque signalétique de votre produit lors de votre appel.

7 Service à la clientèle

Lors de toute réparation réalisée dans le cadre de la garantie, nous nous assurons que votre appareil est réparé avec des pièces de rechange d'origine par un technicien dûment formé et agréé. Nous utilisons exclusivement des pièces de rechange d'origine lors des réparations.

Pour plus d'informations sur la durée et les conditions de la garantie dans votre pays, consultez nos modalités de garantie auprès de votre détaillant ou sur notre site Web.

Si vous contactez le service à la clientèle, indiquez le numéro de modèle (E-Nr.) et le numéro de fabrication (FD) de l'appareil.

La source de lumière est disponible en tant que pièce de rechange et doit être remplacée uniquement par du personnel qualifié.

USA:

1-800-735-4328

www.thermador.com/support

www.thermador.com/us/accessories

CA:

1-800-735-4328

www.thermador.ca

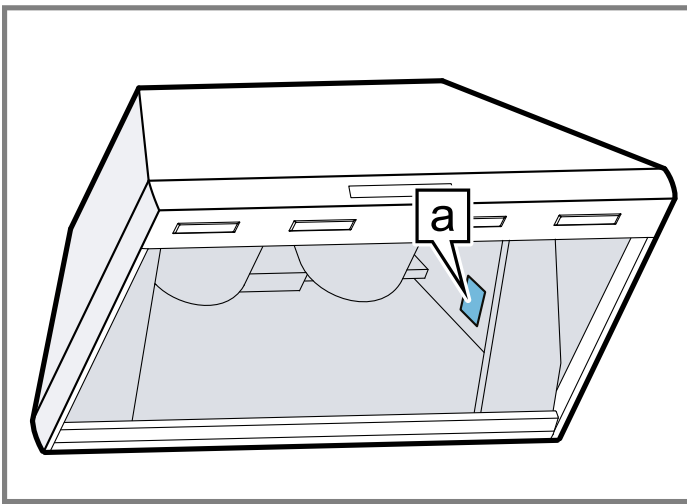
www.thermador.ca/fr/soutien/filtres-nettoyants-accessoires

7.1 Numéro de modèle (E-Nr.) et numéro de fabrication (FD)

Le numéro de modèle (E-Nr.) et le numéro de fabrication (FD) sont indiqués sur la plaque signalétique de l'appareil. Pour retrouver rapidement les données de votre appareil et le numéro de téléphone du service à la clientèle, n'hésitez pas à les recopier ailleurs.

7.2 Emplacement de la plaque signalétique

La plaque signalétique se trouve sur le cadre derrière le filtre. Pour la visualiser, il faut retirer le filtre (voir la figure ci-dessous pour un exemple).



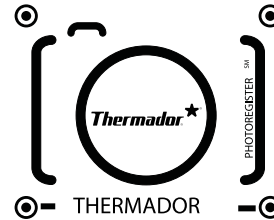
a Plaque signalétique

7.3 Enregistrement de produit

Enregistrez votre produit Thermador pour accéder aux informations relatives à votre produit.

Vous pouvez enregistrer votre produit de plusieurs manières :

- Inscrivez-vous avec votre téléphone (aux É.-U. seulement) :



- Prenez une photo de l'icône de la caméra sur la carte d'enregistrement, y compris les points (●).
- Envoyez la photo par texto au numéro 21432. (É.-U. seulement, des frais de messagerie et de données peuvent s'appliquer.)
- Postez la carte d'enregistrement du produit remplie à l'adresse imprimée sur la carte.
- Enregistrez le produit en ligne au
 - É.-U. : www.thermador.com
 - Canada : www.thermador.ca
- Appelez Thermador Support à la clientèle au 1-800-735-4328.

Tabla de contenidos

1 INSTRUCCIONES DE SEGURIDAD

IMPORTANTES.....	51
1.1 Definiciones de seguridad	51
1.2 Información general	51
1.3 Instrucciones generales de seguridad.....	51
1.4 Códigos y normas de seguridad.....	53
1.5 Advertencias en virtud de la Proposición 65 del estado de California	53

2 Antes de empezar

2 Antes de empezar	54
2.1 Notas importantes	54
2.2 Distancia desde la superficie de cocción.....	54
2.3 Componentes incluidos	54
2.4 Herramientas y partes necesarias.....	54

3 Montaje de distancias y requisitos

3 Montaje de distancias y requisitos	56
3.1 Medidas del aparato.....	56
3.2 Espacios libres.....	57
3.3 Ancho de la campana	57
3.4 Distancia desde la superficie de cocción.....	57
3.5 Peso del aparato	57
3.6 Estructura de soporte	57
3.7 Ventilación	58
3.8 Requisitos eléctricos	58

4 Preparativos del montaje

4 Preparativos del montaje	59
4.1 Preparación de los conductos	59
4.2 Elegir el ventilador adecuado	61
4.3 Transición de la campana	62

5 Instalación

5 Instalación	62
5.1 Altura del montaje	62
5.2 Preparación del cableado.....	63
5.3 Preparación de la pared trasera	64
5.4 Colgar la campana de chimenea.....	65
5.5 Montaje del motor del ventilador	66
5.6 Interruptor de relé de regulador de aire de compensación (opcional)	69
5.7 Accesorio integrado para el mando a distancia (opcional)	69
5.8 Extensión de la chimenea (opcional).....	70
5.9 Montar las bandejas para la grasa y los filtros.....	72

6 Lista de comprobación del instalador

7 Servicio de atención al cliente

6 Lista de comprobación del instalador	73
7 Servicio de atención al cliente	74
7.1 Número de modelo (E-Nr.) y número de fabricación (FD)	74
7.2 Ubicación de la placa de características del aparato.....	74
7.3 Registro del producto	74



INSTRUCCIONES DE SEGURIDAD IMPORTANTES

LEA Y CONSERVE ESTAS INSTRUCCIONES

Leer atentamente todas las instrucciones antes de proceder con el uso del aparato. Para reducir el riesgo de incendio, descarga eléctrica y lesiones personales al utilizar el aparato, se deben tomar precauciones de seguridad básicas, incluidas las que se detallan en las siguientes instrucciones de seguridad.

1.1 Definiciones de seguridad

Aquí puede encontrar explicaciones de las palabras de señal de seguridad utilizadas en este manual.

ADVERTENCIA

Esto indica que pueden producirse la muerte o heridas graves si no se cumple con esta advertencia.

PRECAUCIÓN

Esto indica que pueden producirse heridas leves o moderadas si no se cumple con esta advertencia.

AVISO:

Esto indica que pueden producirse daños en el aparato o en los bienes si no se cumple con este aviso.

Nota: Esto alerta sobre información o sugerencias importantes.

1.2 Información general

Todos los manuales de producto pueden descargarse en línea en www.thermador.com/us/support/owner-manuals.

INSTALADOR: Dejar estas instrucciones con esta unidad para el propietario.

PROPIETARIO: Conservar estas instrucciones para referencia futura. Leer íntegramente las instrucciones antes de utilizar el aparato. El instalador debe mostrar al usuario dónde se encuentra el breaker del circuito eléctrico para que el usuario sepa dónde puede desconectar el suministro eléctrico del aparato.

1.3 Instrucciones generales de seguridad

ADVERTENCIA



Si no sigue rigurosamente la información contenida en este manual podría provocar un incendio o una explosión, y como resultado podría causar daños a la propiedad, lesiones o la muerte.

- No guarde o use materiales combustibles, gasolina u otros productos inflamables, bajo cualquier tipo de envase cerca de esta placa de cocción o de cualquier otro aparato.
- **QUÉ HACER EN CASO DE OLER A GAS**
 - No trate de encender ningún aparato.
 - No toque ningún interruptor eléctrico.
 - No use ningún teléfono en su casa.
 - Llame de inmediato a su proveedor de gas desde el teléfono de algún vecino y siga las instrucciones de su proveedor de gas.
 - Cuando no pueda localizar a su proveedor de gas, llame a los bomberos.
- Un instalador cualificado, una agencia de servicio autorizada o el proveedor de gas debe realizar la instalación y el servicio.

ADVERTENCIA

Interrumpir la alimentación eléctrica en el panel de servicio y bloquear el panel antes de instalar el cableado de este aparato. Requisitos: 120 V CA, 60 Hz, 15 A o 20 A para algunos modelos. Una vez que se haya interrumpido la alimentación eléctrica, dejar enfriar el aparato antes de proceder al mantenimiento.

ADVERTENCIA

Dispositivo automático

- Desconectarlo de la red eléctrica antes de proceder al mantenimiento para reducir el riesgo de lesiones.



INSTRUCCIONES DE SEGURIDAD IMPORTANTES

LEA Y CONSERVE ESTAS INSTRUCCIONES

ADVERTENCIA

PARA REDUCIR EL RIESGO DE INCENDIO, DESCARGA ELÉCTRICA O LESIONES PERSONALES, ES PRECISO CUMPLIR CON LAS INDICACIONES SIGUIENTES:

- ▶ Utilizar esta unidad solo de la manera prevista por el fabricante. En caso de duda, ponerse en contacto con el fabricante.
→ "Servicio de atención al cliente", Página 74
- ▶ Antes de realizar tareas de mantenimiento o limpieza en la unidad, desconectar la alimentación eléctrica en el panel de servicio y bloquearlo. De este modo, se evita que la alimentación eléctrica se vuelva a conectar accidentalmente. Si no es posible bloquear el panel de servicio, colocar algún tipo de advertencia visible, como una nota, sobre los interruptores del mismo.

No reparar, reemplazar ni retirar ninguna parte del aparato a menos que se recomiende específicamente en los manuales. La instalación, el servicio técnico o el mantenimiento incorrectos pueden causar lesiones o daños materiales.

- ▶ Consultar este manual como guía.
- ▶ Cualquier otra labor de mantenimiento debe de ser efectuada por un proveedor de servicios de mantenimiento autorizado.

ADVERTENCIA



PELIGRO DE DESCARGA ELÉCTRICA

- ▶ Desconectar la alimentación eléctrica antes de proceder a la instalación o al mantenimiento. Antes de encender la alimentación, es preciso asegurarse de que todos los controles estén en la posición OFF (apagado).
- ▶ NO quitar las conexiones.
- ▶ NO usar un cable de extensión.
- ▶ Una puesta a tierra incorrecta puede causar una descarga eléctrica.
- ▶ No seguir estas instrucciones puede producir la muerte, provocar un incendio o una descarga eléctrica.

INSTRUCCIONES PARA LA CONEXIÓN A TIERRA

- ▶ Este aparato debe estar conectado a tierra.
- ▶ La conexión a tierra reduce el riesgo de descargas eléctricas, ya que proporciona una vía de escape de la corriente eléctrica en caso de cortocircuito.
- ▶ Asegurarse de que el aparato esté correctamente instalado y conectado a tierra por un técnico calificado.

- ▶ La instalación, las conexiones eléctricas y la conexión a tierra deben cumplir con todas las normas aplicables.
- Si el Código Nacional Eléctrico (o el Código Eléctrico Canadiense) así lo exige, este aparato debe instalarse con un circuito derivado dedicado por separado.

ADVERTENCIA

Para reducir el riesgo de incendio o descarga eléctrica, no utilizar este aparato con ningún dispositivo de control de velocidad de estado sólido.

ADVERTENCIA

PARA REDUCIR EL RIESGO DE INCENDIO, DESCARGA ELÉCTRICA O LESIONES PERSONALES, ES PRECISO CUMPLIR CON LAS INDICACIONES SIGUIENTES.

- ▶ Los trabajos de montaje y el tendido del cableado eléctrico deberá realizarlos personal calificado de conformidad con todos los códigos y normas aplicables, incluidas aquellas relativas a la construcción resistente al fuego.
- ▶ Se necesita una cantidad suficiente de aire para la correcta combustión y extracción de gases a través de la salida de humos (chimenea) del equipo de quema de combustible para evitar el reflujo. Seguir las indicaciones del fabricante del aparato de calentamiento y las normas de seguridad, como las publicadas por la Asociación Nacional de Protección contra el Fuego (NFPA, por sus siglas en inglés), la Sociedad Americana de Ingenieros de Calefacción, Refrigeración y Aire Acondicionado (ASHRAE, por sus siglas en inglés) y las autoridades locales.
- ▶ Cuando se corte o perforo la pared o el techo, no dañar el cableado eléctrico ni otros sistemas ocultos.
- ▶ Los ventiladores de ductos, utilizados para extraer contaminantes, siempre deben extraer el aire hacia el exterior.
- ▶ **UTILIZAR ÚNICAMENTE CONDUCTOS METÁLICOS.**
- ▶ **NO** dirigir el aire de salida hacia lugares cerrados, espacios dentro de paredes, techos, áticos, entresijos o cocheras.

PRECAUCIÓN

Solo para ventilación general.

- ▶ Para evitar el riesgo de incendio o explosión, no utilizar para evacuar materiales y vapores peligrosos o explosivos.



INSTRUCCIONES DE SEGURIDAD IMPORTANTES

LEA Y CONSERVE ESTAS INSTRUCCIONES

ADVERTENCIA

No modificar ni alterar la construcción del aparato.

ADVERTENCIA

Retirar toda la cinta y el embalaje antes de usar el aparato.

- ▶ Desechar el embalaje de manera respetuosa con el medio ambiente.
- ▶ No dejar nunca que los niños jueguen con el material de embalaje.

ADVERTENCIA



La unidad es pesada y se requieren al menos dos personas o un equipo adecuado para trasladarla e instalarla.

ADVERTENCIA



Las superficies ocultas pueden tener bordes afilados.

- ▶ Proceder con cuidado al intentar sujetar el aparato por la parte trasera o desde abajo.

PRECAUCIÓN

Se debe instalar un ventilador exterior detrás de las rejillas o en un lugar donde sea poco probable que se ubique la entrada de extracción de agua.

Si se proporciona con un enchufe eléctrico, conectar la campana a un receptáculo que cumpla con las regulaciones vigentes y colocado en una posición accesible. Cuando no se disponga de un enchufe eléctrico (conexión directa a la red eléctrica) o el enchufe no vaya a estar en una posición accesible después de la instalación, colocar un interruptor bipolar homologado en la posición accesible que proporcione una desconexión total en condiciones de sobretensión de categoría III, de acuerdo con las normas locales de cableado.

1.4 Códigos y normas de seguridad

Este aparato cumple con la última versión de una o varias de las siguientes normas:

- UL 507: Ventiladores eléctricos
- CAN/CSA C22.2 n.º 113: Ventiladores y ventilaciones

Es responsabilidad del propietario y del instalador determinar si son aplicables otros requisitos o normas en montajes específicos.

1.5 Advertencias en virtud de la Proposición 65 del estado de California

Este producto puede contener un químico que el Estado de California reconoce como potencialmente cancerígeno o causante de daños reproductivos. Por tanto, su producto debe llevar en su embalaje la siguiente etiqueta de conformidad con la legislación de California:

ADVERTENCIA EN VIRTUD DE LA PROPOSICIÓN 65 DEL ESTADO DE CALIFORNIA:

⚠ ADVERTENCIA

Cáncer y daño reproductivo - www.P65Warnings.ca.gov

2 Antes de empezar

Leer estas instrucciones antes de comenzar la instalación del aparato.

2.1 Notas importantes

ADVERTENCIA

El montaje incorrecto de aparatos de gas y campanas de ventilación puede provocar un riesgo de escape de monóxido de carbono, que puede resultar dañino. Para reducir el riesgo de intoxicación por monóxido de carbono, asegurarse de que el electrodoméstico de gas esté correctamente instalado según las instrucciones del fabricante, así como de que la campana extraiga el aire hacia el exterior para la correcta extracción de gases o humos.

- Los electrodomésticos de gas liberan monóxido de carbono que puede ser dañino o fatal si se inhala. Para reducir el riesgo de incendio y para extraer adecuadamente el aire, los gases de escape que extraiga la campana deben ventilarse únicamente hacia el exterior del edificio.
- Consultar los códigos de construcción locales para conocer los requisitos o restricciones sobre la instalación de productos de ventilación en modo de recirculación.
- La altura de instalación de la campana extractora sobre la placa de cocción, parrilla empotrable o estufa puede variar. Para obtener la altura de instalación necesaria sobre una placa de cocción, parrilla de gas o estufa, consultar el manual de instalación del aparato o la matriz de combinaciones.

AVISO:

La campana podría dañarse por un exceso de calor si se opera una estufa o parrilla de estufa con varios quemadores en configuraciones altas, situada debajo de una campana que esté instalada a distancias mínimas y apagada.

2.2 Distancia desde la superficie de cocción

Por encima de una placa de cocción, parrillas de estufa o estufa, se recomienda una altura de instalación mínima de 762 mm (30"); sin embargo, es necesario seguir las instrucciones de instalación del fabricante del electrodoméstico para obtener la altura adecuada de la campana.

Consultar los códigos de construcción locales para ver los requisitos o restricciones durante la instalación de productos de ventilación en modo de recirculación.

2.3 Componentes incluidos

Después de desembalar el aparato, verifique que todas las piezas no presenten daños ocasionados durante el transporte, así como que el volumen de suministro esté completo.

- Transición metálica con regulador de contracorriente

- Deflectores de aire
- Bandejas de goteo de grasa
- Adaptador de ventilador
- Placa de fijación de madera utilizado como soporte de montaje de la campana (necesario para el montaje - NO TIRAR)
- Paquete de documentación con juego de sujeciones
Los elementos de fijación suministrados son para la instalación en estructuras de madera a través de tablaroca o yeso de grosor estándar. Los instaladores son los responsables de proporcionar los elementos de fijación para otro tipo de situaciones de instalación.

2.4 Herramientas y partes necesarias

Preparar los siguientes accesorios y herramientas antes de comenzar la instalación del aparato.

- Ventilador (consultar la Guía de Planeación de Ventilación para obtener información sobre los ventiladores compatibles)
- Conductos según sea necesario (consultar la tabla «Longitudes equivalentes de conductos para las transiciones más utilizadas.» → *Página 60*)
- Cinta de aluminio (NO utilizar cinta aislante o de tela para conductos)
- Conducto de 13 mm (1/2") si es necesario
Cumplir con los códigos locales
- Prensacable de 25.4 mm (1")
- Desarmador Phillips
- Desarmador de estrella T20
- Llave de tuercas o vaso y trinquete de 5.5 cm (1 1/32")
- Taladrar con broca de 4.76 mm (3/16")
- Pelacables
- Cinta métrica
- Lápiz
- Nivel
- Guantes de seguridad

IMPORTANTE: NO tirar ningún embalaje antes de que el aparato esté completamente instalado.

Hay disponibles accesorios opcionales para su compra por separado

Consultar www.thermador.com para obtener más detalles.

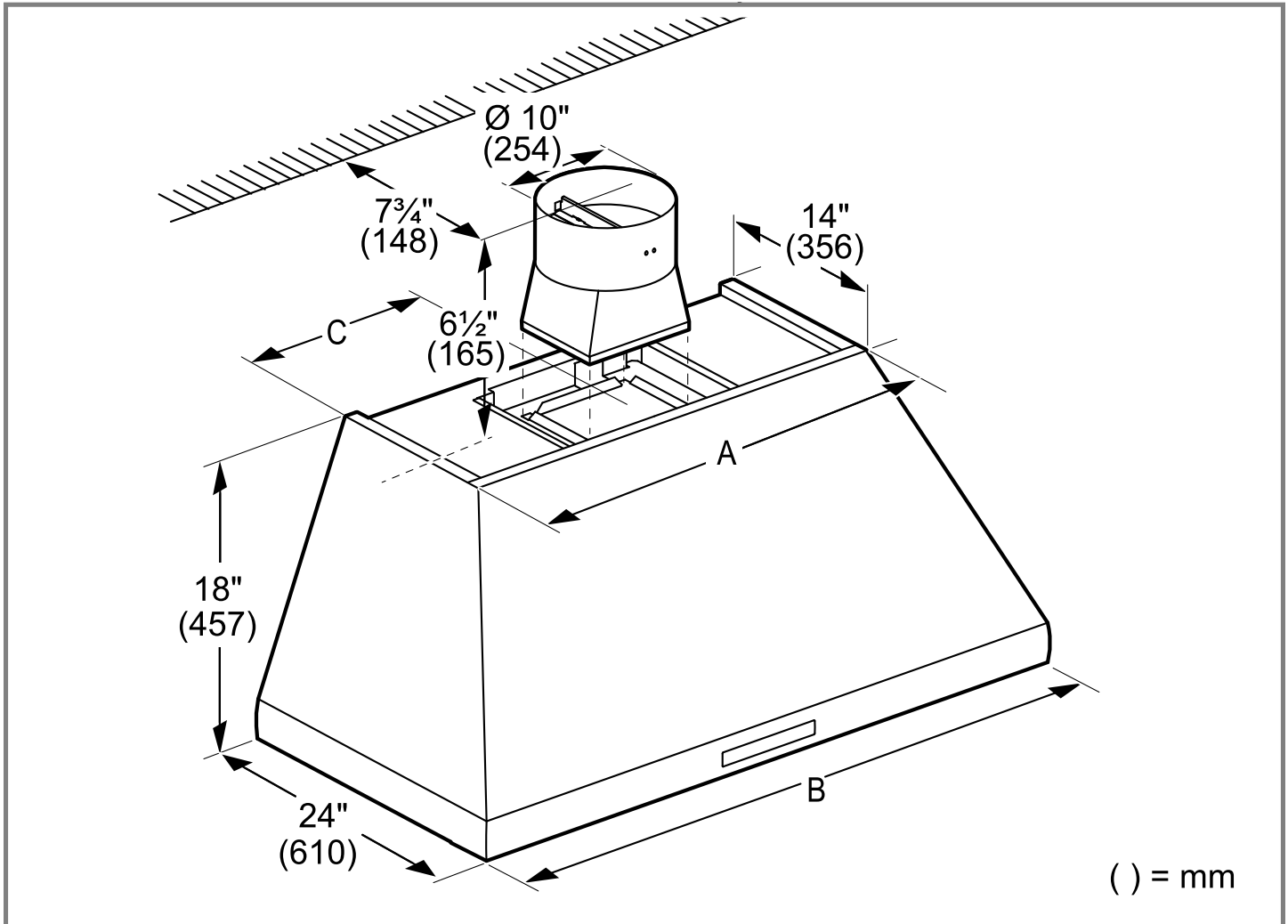
Accesorio	Descripción
EXTNCB25W	Cable de extensión del módulo del ventilador y del ventilador remoto de 25 pies
EXTNSET4	Kit de adaptador de cable de extensión de módulo de ventilador y ventilador en línea de 25 pies
CHMHP**W	Chimenea de 6" de altura
CHMHP**TW	Chimenea telescópica para conductos de 18-35" de altura
CHMHP**XTW	Chimenea telescópica extendida de 42-59"

Accesorio	Descripción
RFPLT600P	Placa de techo para utilizarse con <ul style="list-style-type: none">▪ Módulo del ventilador de 600 CFM VTR630
RFPLT1000P	Placa de techo para utilizarse con <ul style="list-style-type: none">▪ Módulo del ventilador de 1000 CFM VTR1030▪ Módulo del ventilador de 1300 CFM VTR1330
REMCPW	Panel del mando a distancia

3 Montaje de distancias y requisitos

3.1 Medidas del aparato

Esta serie de modelos tiene una profundidad de 610 mm (24") y posee un armazón de acero inoxidable cepillado con iluminación LED.



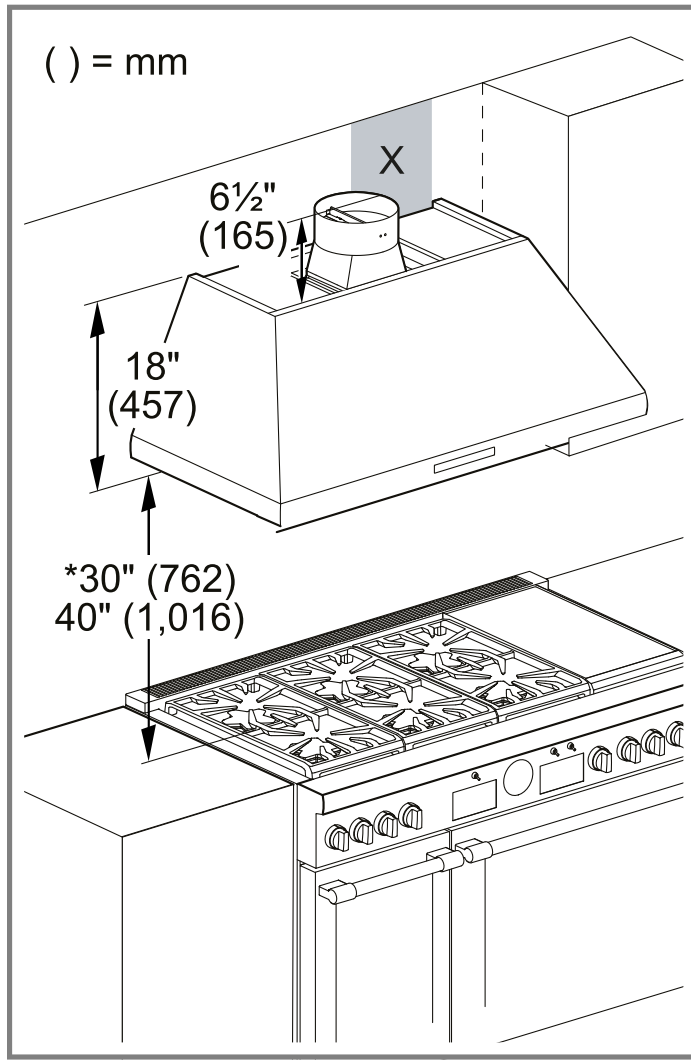
	914 mm (36")	1,219 mm (48")
A	533 mm (21")	838 mm (33")
B	913 mm (35 ¹⁵ / ₁₆ ")	1,218 mm (47 ¹⁵ / ₁₆ ")
C	165 mm (10 ¹ / ₂ ")	419 mm (16 ¹ / ₂ ")

Nota: La transición se centra horizontalmente.

IMPORTANTE: la campana debe estar centrada sobre la superficie de cocción para un mejor rendimiento.

3.2 Espacios libres

La altura de instalación de la campana extractora sobre la placa de cocción, parrilla empotrable o estufa puede variar. Para obtener la altura de instalación necesaria sobre una placa de cocción, parrillas de estufa o estufa, consultar el manual de instalación del aparato.



X Zona eléctrica

*Seguir las recomendaciones del fabricante del aparato de cocción.

3.3 Ancho de la campana

- El ancho de la campana extractora no debe ser inferior al ancho de la superficie de cocción. Para que el rendimiento sea el adecuado, la carcasa debe cubrir la totalidad de la superficie de cocción del aparato.
- Para obtener un rendimiento adecuado, la campana extractora debe estar centrada horizontalmente sobre la superficie de cocción. Si no hay limitaciones de espacio se puede usar una campana extractora más ancha para aumentar la superficie de aspiración.

3.4 Distancia desde la superficie de cocción

- La altura de instalación de la campana extractora sobre la placa de cocción, parrilla empotrable o estufa puede variar.
- La altura de instalación varía desde una altura mínima de 762 mm (30") hasta una altura máxima sugerida de 1,016 mm (40"). Sin embargo, es necesario seguir las instrucciones de montaje del fabricante del electrodoméstico para la altura adecuada de la campana.

AVISO:

La campana podría sufrir daños por el calor si se utiliza una cocina o una encimera de las series Thermador Professional® con varios quemadores a alta potencia debajo de una campana montada a una distancia mínima mientras la campana está apagada.

3.5 Peso del aparato

- Esta campana extractora de ventilación es pesada. Se debe proporcionar la estructura y el soporte adecuados en todos los tipos de montaje.
- Al calcular la carga para el sistema de soporte de la carcasa, asegurarse de tener en cuenta el peso del aparato de ventilación.

Descripción	Peso
HPCN36WS	57 kg (26 lb)
HPCN48WS	73 kg (33 lb)
Modelo de ventilador integral VTN2FZ	8.6 kg (19 lb)
Modelo de ventilador integral VTN2DA	14 lb (6.3 kg)

AVISO:

Los pesos mencionados solo se aplican al aparato de ventilación y al ventilador. El instalador debe tener en cuenta el peso del material de construcción al calcular la carga permanente total de la instalación, incluso, sin limitarse a ello, de los elementos siguientes: pared, baldosas, cemento, yeso, ladrillos, acabados, tabiques y otros componentes arquitectónicos y estructurales. Es responsabilidad del propietario y del instalador determinar si son aplicables otros requisitos o normas en montajes específicos.

3.6 Estructura de soporte

- Debido al peso de la campana, asegurarse de que el soporte de montaje de madera está fijado a todos los pernos de pared disponibles.
- Los marcos deben fijarse unos con otros así como a las viguetas del techo para proporcionar suficiente resistencia estructural para soportar el peso de la campana y el ventilador interno, si corresponde.

- El armazón debe estar hecho de madera de construcción, con un mínimo de 2"x 4". Es necesario un soporte estructural adecuado para acomodar el peso de la campana.

3.7 Ventilación

- La campana extractora requiere que los conductos se ventilen hacia el exterior del edificio.

3.8 Requisitos eléctricos

ADVERTENCIA

Este aparato debe estar adecuadamente conectado a tierra.


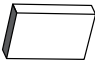
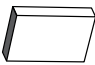

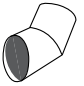
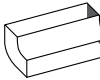
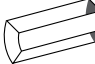

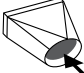
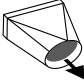
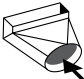
- El aparato necesita un circuito dedicado de 120 V CA, 60Hz. Circuito con derivación de 15 A.
- Los ventiladores VTN2FZ y VTN2DA junto con un PHxxGWS requieren un interruptor de circuito de 20 A.
- El aparato solo se debería conectar a un circuito dedicado (conectado a tierra) que haya sido instalado conforme a las regulaciones aplicables.
- Cuando se conectan a un suministro con protección GFCI, las campanas de las series Thermador Professional® son adecuadas para su uso en lugares húmedos que están protegidos de las condiciones climáticas exteriores y no están sujetos a la saturación con agua y otros líquidos, pero pueden estar sujetos a grados moderados de humedad, como un patio cubierto al aire libre o zona de terraza. Para más información, consultar los códigos locales, NEC/CEC y/o la autoridad competente (AHJ).
- Comprobar sus códigos de construcción locales para conocer el método de instalación adecuado. Este aparato debería instalarse conforme a los códigos locales aplicables o, en ausencia de estos, conforme al Código Eléctrico Nacional (NFPA 70) o al Código Eléctrico de Canadá (CSA C22.1-02).
- El accesorio de cable de extensión del ventilador en línea y un módulo de ventilador de 25 pies (EXTNCB25W) solo funcionará para distancias de hasta 25 pies. El cable del accesorio debe adquirirse por separado. **NO** usar más de una extensión de cable de ventilador por montaje.
- **Datos eléctricos:**
Consultar en la placa de especificaciones del producto, que incluye el modelo y el número de serie.
- Si se proporciona con un enchufe eléctrico, conectar la campana a un receptáculo que cumpla con las regulaciones vigentes y colocado en una posición accesible. Cuando no se disponga de un enchufe eléctrico (conexión directa a la red eléctrica) o el enchufe no vaya a estar en una posición accesible después de la instalación, colocar un interruptor bipolar homologado en la posición accesible que proporcione una desconexión total en condiciones de sobretensión de categoría III, de acuerdo con las normas locales de cableado.

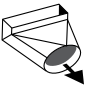
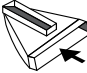
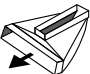
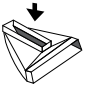
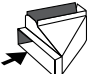


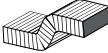
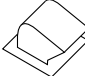
4 Preparativos del montaje

4.1 Preparación de los conductos

- El aire de salida se descarga hacia arriba a través de un conducto o directamente a través de la pared exterior hacia el aire libre.
- El aparato se puede montar en la pared solamente con una descarga vertical.
- El rendimiento adecuado depende de que los conductos sean los adecuados. Los códigos de construcción locales pueden exigir que se utilicen sistemas de aire de reposición cuando se use un sistema de ventilación con conductos cuya cantidad de pies cúbicos por minuto (CFM, por sus siglas en inglés) de aire sea superior a la que está indicado.
- La cantidad de pies cúbicos por minuto indicados varía de un lugar a otro. Es responsabilidad del propietario y del instalador determinar si son aplicables otros requisitos o normas en montajes específicos.
- **NO USAR CONDUCTOS FLEXIBLES** porque provocan contrapresión y turbulencias y reducen el rendimiento.
- Instalar siempre una cubierta de ventilación metálica en el lugar de la carcasa donde sale el conducto.
- El aparato solo debe extraer el aire hacia el exterior del edificio.
- Los montajes en **CLIMAS FRÍOS** deben contar con un regulador de contracorriente adicional para minimizar el retorno de las corrientes de aire frío y un aislante térmico no metálico para minimizar la conducción de la exterior. El regulador debe colocarse en el lado del aire frío del aislante térmico. El aislante debe estar tan cerca como sea posible de la parte donde el conducto entra en la parte caliente de la carcasa.
- **AIRE DE REPOSICIÓN:** los códigos de construcción locales pueden exigir que se utilicen sistemas de aire de reposición cuando se use un sistema de ventilación con conductos cuya cantidad de pies cúbicos por minuto (CFM, por sus siglas en inglés) de aire sea superior a lo que está indicado. La cantidad de pies cúbicos por minuto indicados varía de un lugar a otro. Es responsabilidad del propietario y del instalador determinar si se aplican otros requisitos o normas en montajes específicos.
- Para reducir el riesgo de incendio y para hacer que el aire salga al exterior correctamente, asegurarse de que haya un conducto que lo dirija hacia afuera. No dirigir el aire de salida hacia lugares cerrados, espacios dentro de paredes, techos, áticos, entrepisos o cocheras.
- Thermador recomienda que la longitud total del conducto no exceda 50 pies (15.24 m).
- Tender el conducto de modo que sea lo más corto y esté lo más recto posible. Los racores en codo y las transiciones reducen la eficacia de la circulación de aire. Colocar codos uno al lado de otro o en forma de «S» da malos resultados y no es recomendable.
- El uso de un conducto corto y recto en la entrada del módulo del ventilador da mejores resultados.
- Las campanas se suministran con una transición de 254 mm (10"). Se requiere una transición suministrada localmente para otros tamaños.
- Utilizar la tabla «Longitudes equivalentes del conducto con las transiciones más comunes» para calcular las longitudes aceptables del conducto entre la campana y el exterior. → *Página 60*

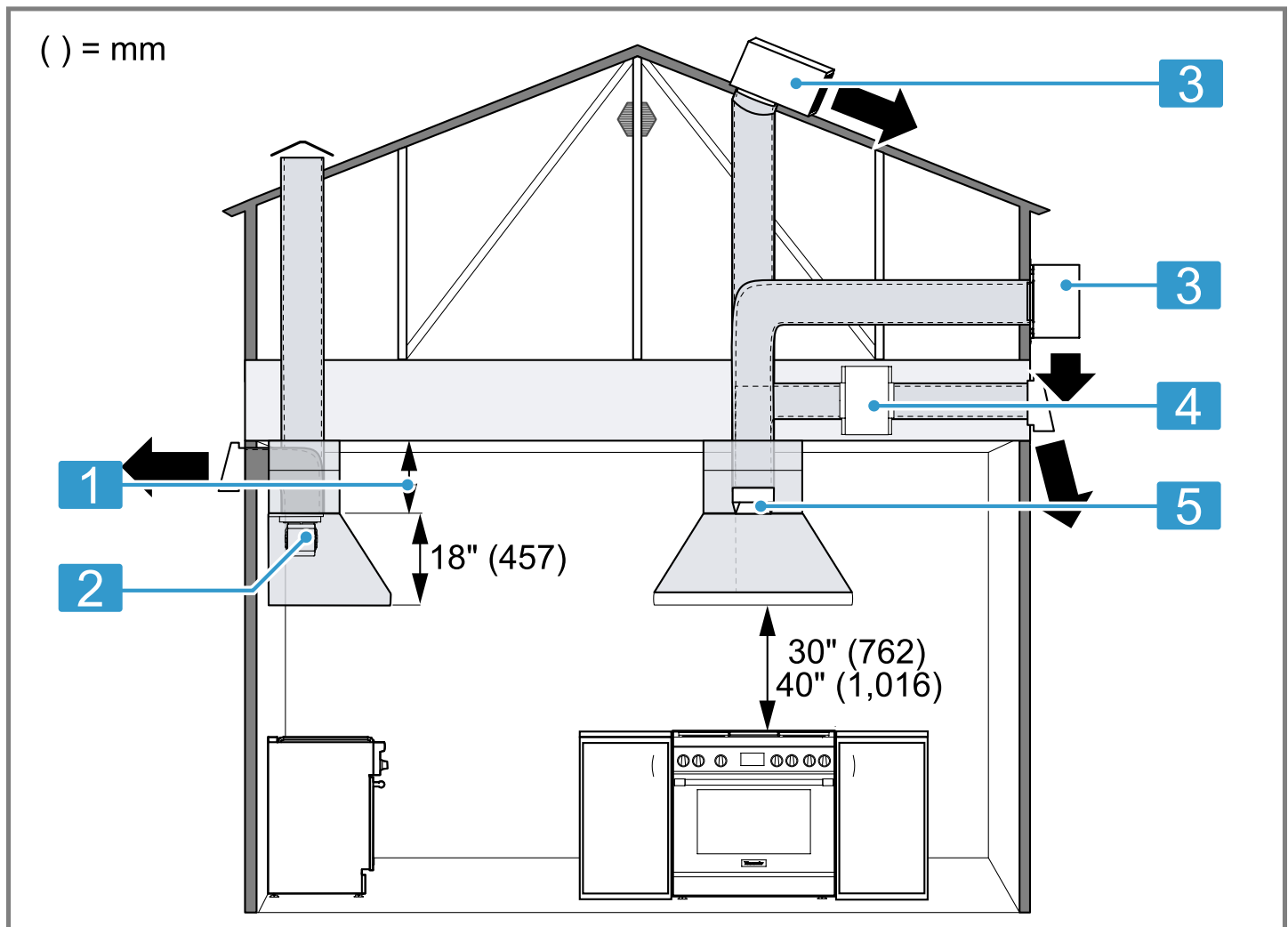
Longitudes equivalentes del conducto para transiciones más comunes

Pieza de conducto	Diámetro de la pieza (pulg.)	Longitud equivalente (pi)
 Liso, recto	6	1.2
	8	0.7
	10	0.6
 3/4 pulg. x 10 pulg. recto	N/D	1
 3/4 pulg. x 14 pulg. recto	N/D	0.7
 Codo circular a 90°	6	12
	8	6
	10	5
 Codo circular a 45°	6	5
	8	3
	10	2
 Codo de 3/4 pulg. x 10 pulg. a 90°	N/D	5
 Codo de 3/4 pulg. x 10 pulg. a 45°	N/D	15
 Codo llano de 3/4 pulg. x 10 pulg.	N/D	20
 Circular a 3/4 pulg. x 10 pulg.	6	1
	8	10
 3/4 pulg. x 10 pulg. a circular	6	5
	8	2
 Circular a codo de 3/4 pulg. x 10 pulg. a 90°	6	10

Pieza de conducto	Diámetro de la pieza (pulg.)	Longitud equivalente (pi)
 3/4 pulg. x 10 pulg. a codo circular a 90°	6	10
 Codo invertido izquierdo a céntrico de 3/4 pulg. x 10 pulg.	N/D	15
 Codo invertido recto a centro de 3/4 pulg. x 10 pulg.	N/D	25
 Codo invertido a izquierda de 3/4 pulg. x 10 pulg.	N/D	15
 Codo invertido a recto de 3/4 pulg. x 10 pulg.	N/D	25
 Salida circular mural	6	2
	8	2
	10	2
 Salida circular de techo	6	2
	8	2
	10	2
 Conducto flexible de 3/4 pulg. x 10 pulg. de 2 pies de long.	N/D	20
 Soporte de fijación y obturador de techo de 3/4 pulg. x 10 pulg.	N/D	2

Nota: Estas piezas de montaje de uso común se pueden comprar en una ferretería local. Thermador no fabrica todas estas piezas.

Comunicaciones comunes de conductos



- | | |
|---|--|
| 1 | Variedad |
| 2 | Ventilador integral |
| 3 | Módulo del ventilador |
| 4 | Ventilador en línea |
| 5 | Regulador de contracorriente en transición |

Nota: La figura no representa todas las configuraciones o los métodos de montaje. La imagen se debe usar SOLO como una guía.

4.2 Elegir el ventilador adecuado

Todos los modelos de extractor se venden por separado. Se recomienda usar solo ventiladores Thermador con campanas extractoras Pro Thermador. Véase la «Guía de Planificación de la Circulación del Aire Adicional» para conocer los extractores recomendados. Contactar con el servicio de atención al cliente para opciones adicionales.
→ "Servicio de atención al cliente", Página 74

Es posible adquirir ventiladores integrales, en línea y módulos del ventilador a través de su distribuidor autorizado Thermador. Para obtener información sobre distribuidores locales, visitar la sección «Encontrar distribuidor» www.thermador.com.

Las opciones de rendimiento del ventilador varían en pies cúbicos por minuto (CFM). El rendimiento necesario depende de la superficie de cocción, el volumen de aire que hay que mover y la longitud del conducto. Para conductos largos con múltiples curvas y giros, considerar la posibilidad de utilizar un ventilador más potente. Para que el flujo de aire de extracción sea lo más eficaz posible, utilizar un tramo recto o el menor número posible de codos.

→ "Preparación de los conductos", Página 59

Opciones de ventiladores

Descripción	Denominación identificadora de ventas
Módulo del ventilador Montado en el tejado o la pared exterior	VTR2FZ
Ventilador en línea	VTI2FZ

Descripción	Denominación identificadora de ventas
Montado entre la cocina y la pared exterior	
Ventilador integrado	VTN2FZ
Montado dentro de la campana	VTN2DA

Cable de extensión del módulo del ventilador y del ventilador remoto de 25 pies

El cable del accesorio debe adquirirse por separado. NO usar más de una extensión de cable por montaje.

Descripción	Denominación identificadora de ventas
Cable de extensión del módulo del ventilador y del ventilador remoto de 25 pies Disponible para conectar la campana a los ventiladores en línea y módulos del ventilador remoto para distancias de hasta 8 m (25 pies).	EXTNCB25W

4.3 Transición de la campana

Dirección de descarga

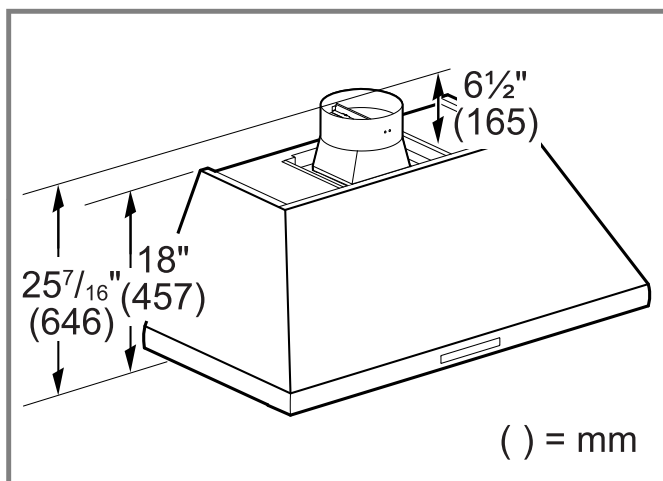
El aire de salida se descarga hacia arriba a través de un conducto o directamente a través de la pared exterior hacia el aire libre.

La campana se puede montar en la pared solamente con una descarga vertical.

Fijar la transición de la campana

Su campana es suministrada con una transición redonda de 254 mm (10"). Se requiere una transición suministrada localmente para otros tamaños.

1. Se necesita una altura libre mínima de 165 mm (6½") sobre la campana para el montaje de transición.

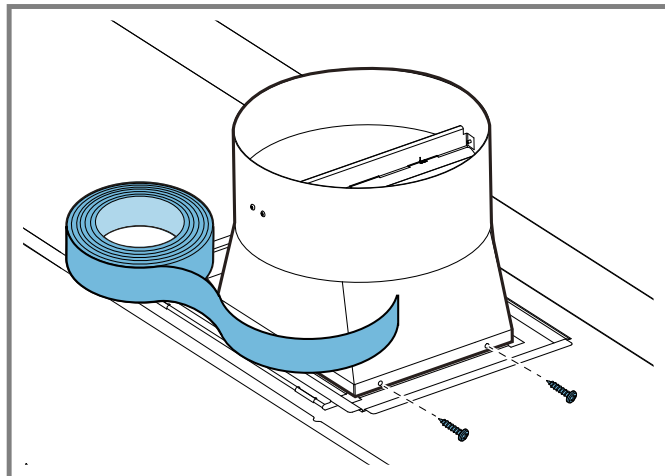


2. Alinear los agujeros de montaje de la base de la transición sobre los agujeros de montaje de la brida de 13 mm (½") situada en la parte superior de la campana.

3. Fijar la transición a la campana extractora con cuatro tornillos para placas metálicas de 6 mm ((4)1/4') incluidos con la campana.

Nota: Comprobar que los tornillos no obstaculizan el funcionamiento del regulador.

4. Sellar la junta entre la transición y la campana con cinta de aluminio. NO usar cinta para conductos. Asegurarse de que la conexión está completamente sellada.



5. Quitar la cinta que sujeta el regulador en posición cerrada.

5 Instalación

⚠ ADVERTENCIA

Antes de realizar la instalación, desconectar la alimentación eléctrica en el panel de servicio.

- ▶ Bloquear el panel de servicio para impedir que se conecte accidentalmente la alimentación eléctrica.

5.1 Altura del montaje

Altura del montaje sobre la superficie de cocción:

- Altura mínima: 762 mm (30")
- Altura máxima recomendada: 1,016 mm (40")

AVISO:

Seguir siempre las instrucciones de montaje del fabricante del aparato de cocción para una correcta altura de montaje.

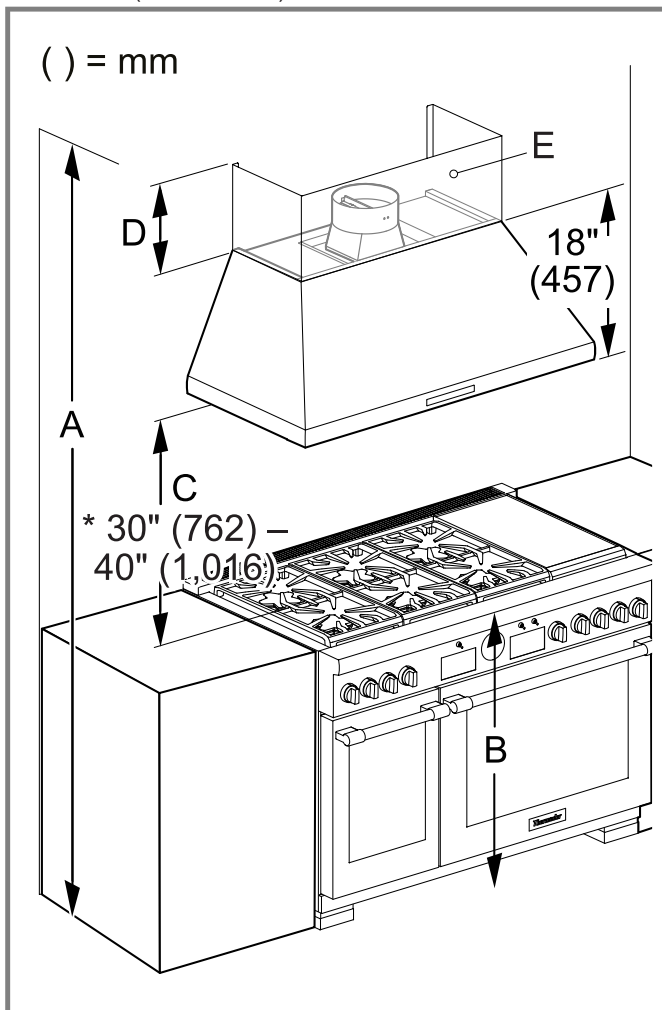
Cálculo de la altura de extensión de la chimenea opcional

Las extensiones de chimenea opcionales están disponibles para su compra en tamaños de 153 mm (6") y 457 mm (18") - 889 mm (35") para cubrir el espacio entre la parte superior de la campana y el techo. Tomar las medidas indicadas en la siguiente imagen en el lugar de montaje.

AVISO:

La campana podría sufrir daños por el calor si se utiliza una cocina o una encimera de las series Thermador Professional® con varios quemadores a alta potencia debajo de una campana montada a una distancia mínima mientras la campana está apagada.

1. Medir la altura del suelo al techo (A).
2. Medir la altura del suelo a la superficie de cocción (B).
3. Medir la altura de montaje de la campana de la parte inferior de la campana a la superficie de cocción (C). La medida debe ser de un mínimo de 762 mm (30").
4. Calcular la altura opcional de la chimenea (D):
 – $D = A - (B + C + 18")$.



*Seguir las recomendaciones del fabricante del aparato de cocción.

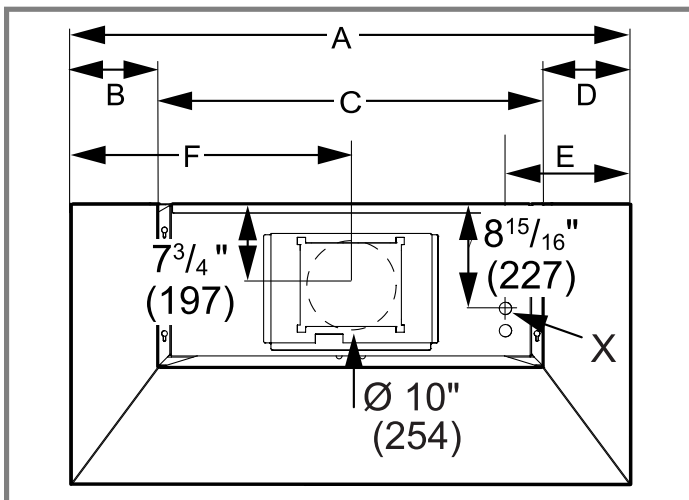
5.2 Preparación del cableado

IMPORTANTE: cortar un conector del aparato, ventilador o kit del cable de extensión anulará la garantía. Asegurarse de que el cableado no interfiera con la cubierta opcional del conducto de la chimenea, donde la cubierta toca la pared.

Abertura del techo

- La caja de conexiones se encuentra en el lado superior derecho de la campana.
- El cableado debe entrar al menos 508 mm (20") por encima de la parte inferior de la altura de montaje.
- Preparar la abertura del cable en el techo con un agujero de paso de 16 mm (5/8") de diámetro para un conducto de 12.7 mm (1/2") a la caja de conexiones.

Vista superior de la campana de chimenea



	HPCN36WS	HPCN48WS
A	35 ¹⁵ / ₁₆ " (913)	47 ¹⁵ / ₁₆ " (1,218)
B	7 ¹ / ₂ " (190)	7 ¹ / ₂ " (190)
C	21" (533)	33" (838)
D	7 ¹ / ₂ " (190)	7 ¹ / ₂ " (190)
E	9 ⁵ / ₈ " (244)	10 ⁹ / ₁₆ " (268)
F	18" (457)	24" (610)

5.3 Preparación de la pared trasera

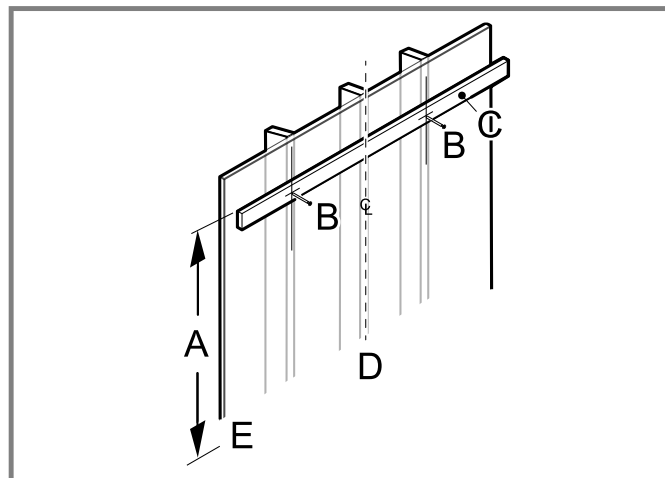
IMPORTANTE: la campana debe estar centrada sobre la superficie de cocción para un mejor rendimiento.

Nota: Los elementos de fijación suministrados son para el montaje en estructuras de madera a través de tablaroca o yeso de grosor estándar. Los instaladores son los responsables de proporcionar los elementos de fijación para otro tipo de situaciones de instalación.

Colgado del retenedor de soporte de madera

1. DESCONECTAR la alimentación eléctrica en el panel de servicio. Bloquear el panel de servicio para impedir que se CONECTE la alimentación eléctrica.
2. Calcular la altura de montaje de la campana tal como se ha descrito. → *Página 62*

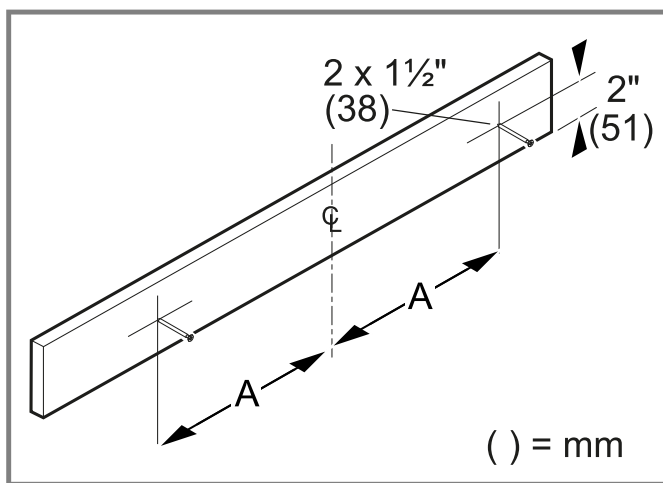
3. Dibujar una línea horizontal a una distancia sobre la superficie de cocción igual a la altura de montaje de la campana más 406 mm (16"). Esta línea es la ubicación de montaje de la placa de fijación de madera enviado con la campana.



A	Distancia a la superficie de cocción más 406 mm (16")
B	Tornillos de 76 mm (3") screws
C	Placa de fijación de madera (incluida)
D	Línea central de la placa de cocción
E	Superficie de cocción

4. Encontrar la línea central de la campana. Dibujar una línea vertical a lo largo de esta línea central hasta la línea horizontal dibujada en el paso anterior.

5. La campana se monta en la pared utilizando la placa de fijación de madera que se envía con la campana. Retirar la placa de fijación de madera situada en la parte trasera de la campana retirando los dos tornillos de transporte. Descartar los tornillos de transporte.
6. Marcar la línea central de la placa de fijación de madera.
7. Localizar un montante a ambos lados de la línea central de la campana a utilizar para el montaje de la placa de fijación de madera.
8. Alinear la parte superior de la placa de fijación de madera a lo largo de la línea horizontal trazada anteriormente. Alinear las líneas centrales de la placa de fijación y de la placa de cocción.
9. Taladrar un agujero roscado de 76 mm (3") de profundidad y 6 mm (1/4") con la placa de fijación de madera, la pared y el montante.
10. Retirar la placa de fijación y colocarla sobre una superficie resistente. Para ampliar el agujero, taladrar un agujero de 8 mm (5/16") mediante la placa de fijación de madera. Utilizar un avellanador para hacer un agujero lo suficientemente grande como para avellanar las cabezas de los tornillos para evitar interferencias con la campana.
11. Utilizar dos (2) tornillos de 76 mm (3") para fijar la placa de fijación de madera a la pared.
12. En la placa de fijación de madera, marcar las ubicaciones para colgar la campana tal y como se muestra en la ilustración.



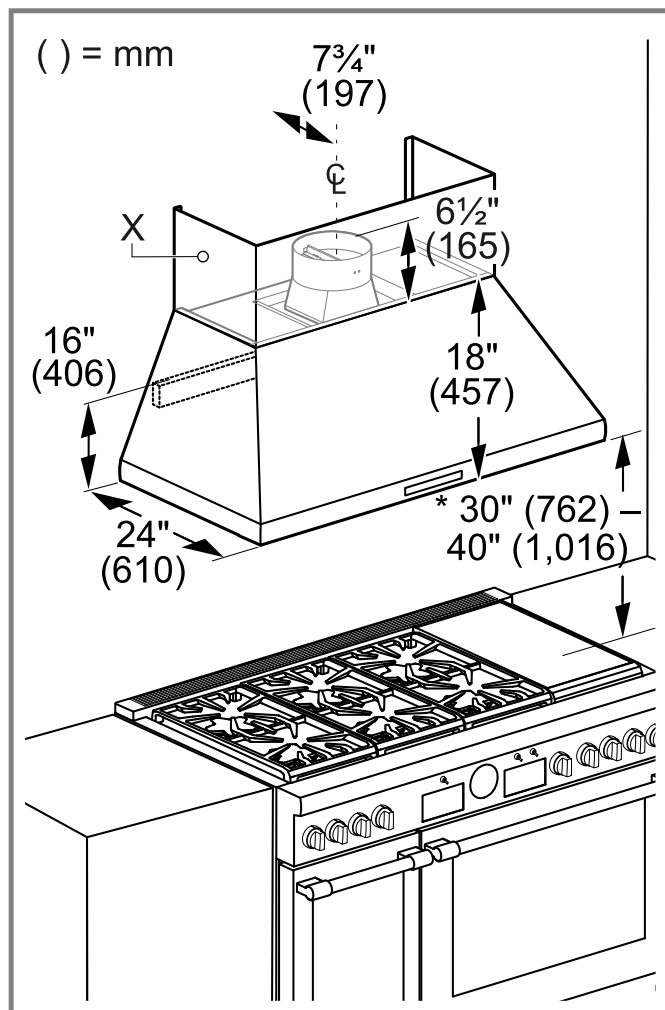
Tamaño de la campana	A
914 mm (36")	197 mm (7 ³ / ₄ ")
1.219 mm (48")	350 mm (13 ³ / ₄ ")

13. Taladrar un agujero roscado de 4.8 mm (3/16") con la placa de fijación de madera y la pared. Estos tornillos de 16 mm (5/8") no tienen que introducirse en los montantes.
14. Utilizar dos (2) tornillos de 38 mm (1 1/2") para sujetar la placa de fijación de madera dejando expuestos 6 mm (1/4") de cada tornillo para colgar la campana.

5.4 Colgar la campana de chimenea

Requisitos

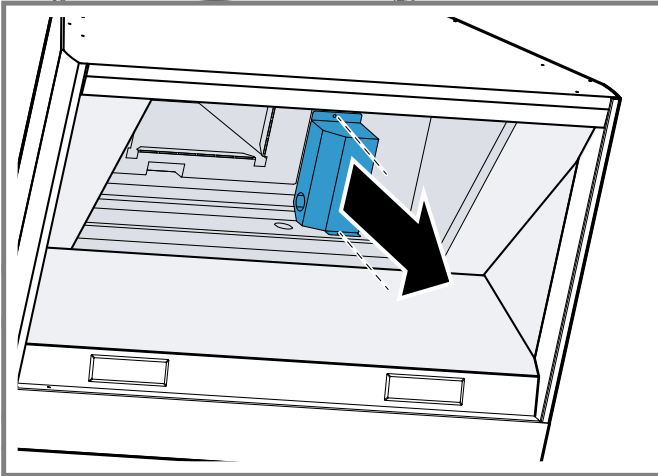
- La transición suministrada con la campana extractora se conecta a un conducto cilíndrico estándar de 10". Asegurarse de que la transición está fijada y que los tornillos no impidan el funcionamiento del regulador.
→ "Fijar la transición de la campana", Página 62
 - Los montajes requieren una abertura en el techo para alojar el conducto de 254 mm (10").
→ "Abertura del techo", Página 63
1. Los montajes requieren una abertura para el conducto eléctrico de 13 mm (1/2").
→ "Abertura del techo", Página 63



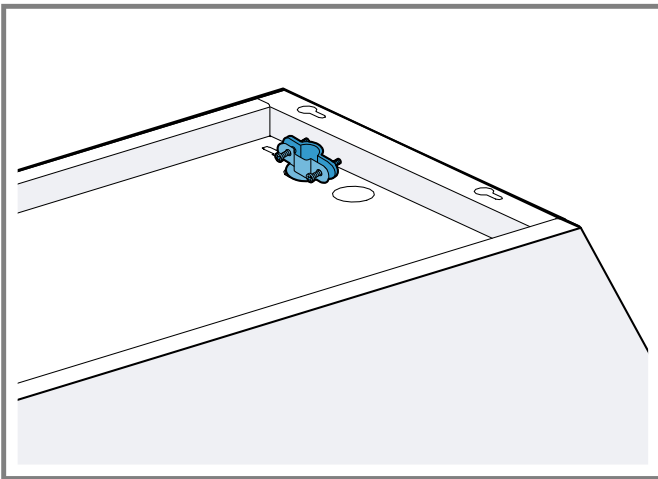
X Extensión de la chimenea opcional

Nota: Seguir las recomendaciones del fabricante del aparato de cocción.

2. Utilizar un desarmador de estrella T-20 para quitar el tornillo que sujeta el canal de la caja de conexiones que cubre los cables.

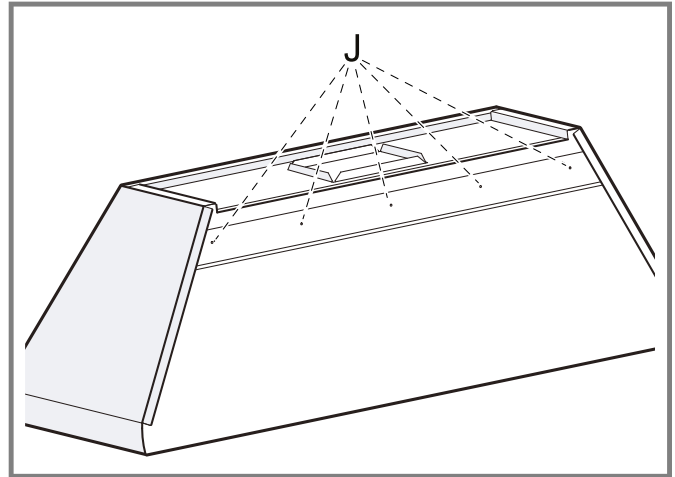


3. Retirar un prepunzonado circular detrás del canal de la caja de conexiones. Asegurar un prensacable de 25.4 mm (1") (no incluido).



4. Con la ayuda de dos personas, apoyar la campana en la placa de fijación de madera. Asegurarse de que la placa de fijación de madera encaja en el hueco de la parte trasera de la campana.

5. Desde el interior de la campana, taladrar previamente los agujeros marcados «J» en la campana en la placa de fijación de madera con una broca de 16 mm (5/8"). Asegurar la campana a la placa de fijación de madera con cinco (5) tornillos de 38 mm (1 1/2").



6. Conectar conductos adicionales.

5.5 Montaje del motor del ventilador

⚠ PRECAUCIÓN

Para reducir el riesgo de incendio y descarga eléctrica, montar esta campana extractora únicamente con los ventiladores indicados en la Guía de Planificación de la Ventilación.

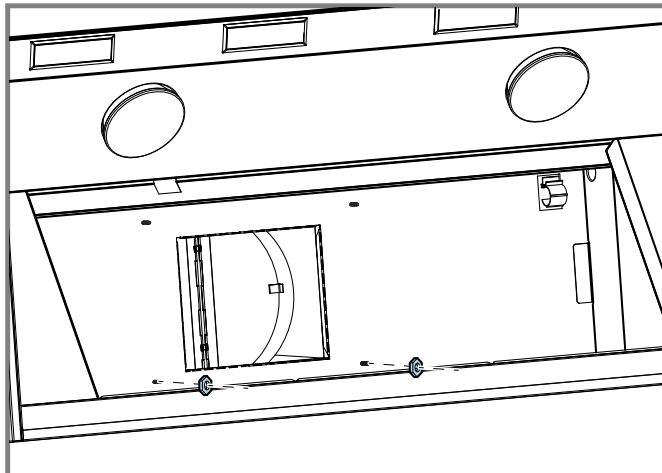
Nota: Cortar el enchufe del ventilador anulará la garantía o la posibilidad de devolución o cambio.

Instalación del ventilador integral

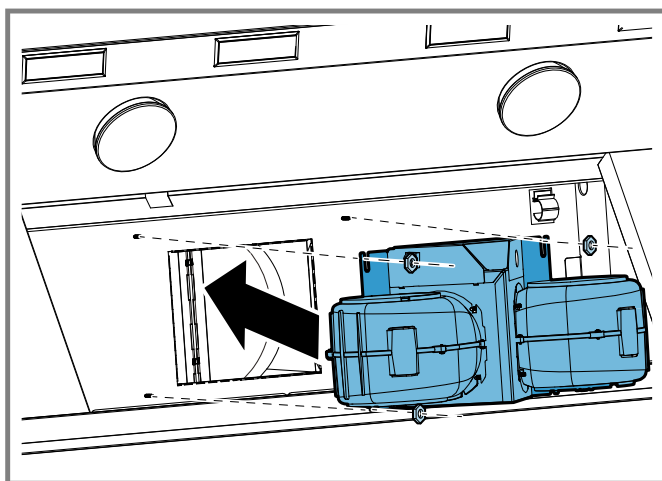
Los modelos con ventilador integral se instalan en la campana en el momento del montaje. Los ventiladores integrados deben instalarse después de montar la campana en la pared. Para obtener instrucciones de instalación completas, consultar las instrucciones suministradas con la unidad del ventilador.

Nota: Las vistas de la imagen del ventilador y la campana varían según el modelo.

1. Enroscar una (1) tuerca de brida de 4 m (incluida con la campana) hasta la mitad de cada uno de los dos tornillos de soldadura indicados.

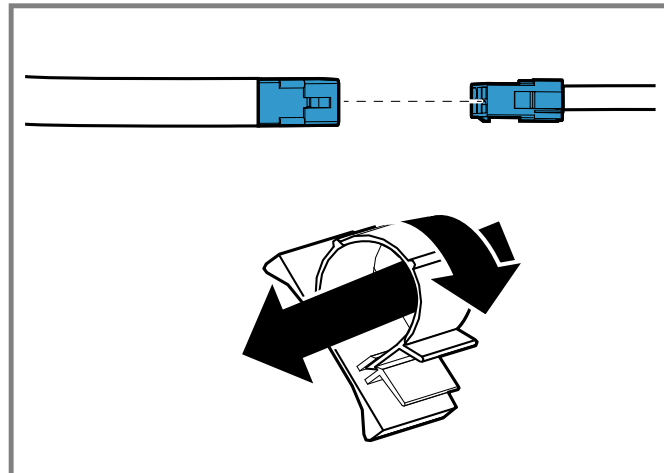


2. Deslizar la placa de fijación del ventilador detrás de las tuercas de los tornillos de soldadura.



3. Instalar dos (2) tuercas de brida de 4 m (incluidas con la campana) en los tornillos de soldadura superiores y apretar.
4. Apretar las dos (x2) tuercas del paso 1 para fijar por completo el ventilador de la campana.

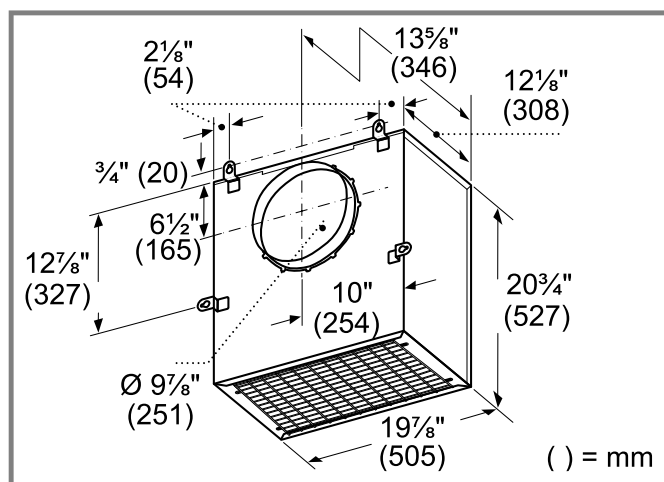
5. Conectar el conector de enchufe del ventilador al conector presente en el interior de la campana. Pasar el arnés del ventilador a través del clip autobloqueante.



Instalar un módulo del ventilador o un ventilador en línea

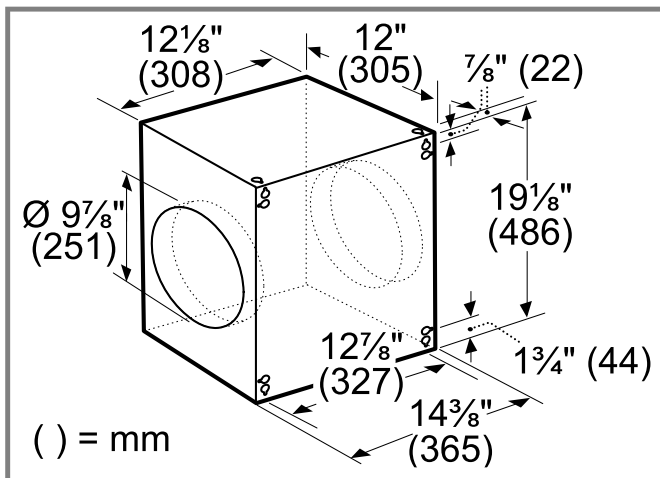
En función de las preferencias y de la situación de los conductos, estos ventiladores pueden montarse fuera de la cocina. Así se reduce el ruido en la cocina. Para obtener instrucciones de instalación completas, consultar las instrucciones suministradas con la unidad del ventilador.

1. Módulo del ventilador



Los módulos de los ventiladores remotos pueden montarse en el tejado o en la pared exterior de la vivienda

2. Ventilador en línea



Los ventiladores en línea pueden montarse a lo largo de la línea de conductos en cualquier lugar entre la cocina y la pared exterior, si hay fácil acceso a la línea de conductos, por ejemplo, en un ático.

3. Conexión de cables del motor del módulo de ventilador o ventilador en línea:

- Retirar el canal de la caja de conexiones que cubre los cables.
- Retirar un prepunzonado circular.
- Pasar el conector del motor del ventilador hacia la campana extractora. Conectar el arnés del ventilador al arnés de la campana extractora.
- Pasar el arnés del ventilador a través del clip autobloqueante.

Conectar los cables eléctricos

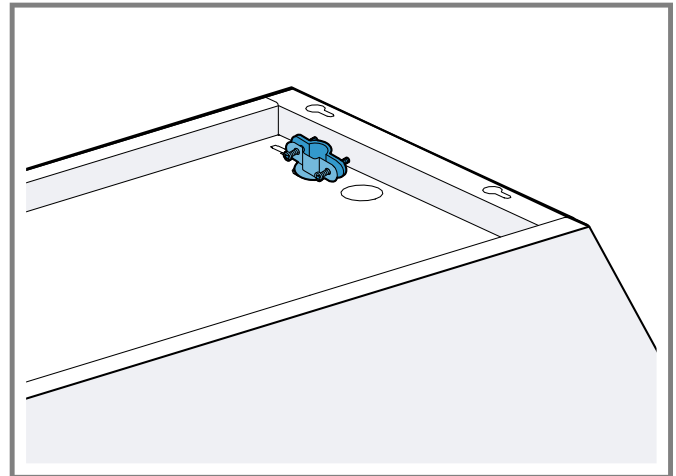
Notas

- BSH no se hace responsable de los errores de cableado durante el montaje. Los errores de cableado en el montaje no están cubiertos por la declaración de garantía limitada del producto.
- Consultar el diagrama de cableado incluido con el aparato.

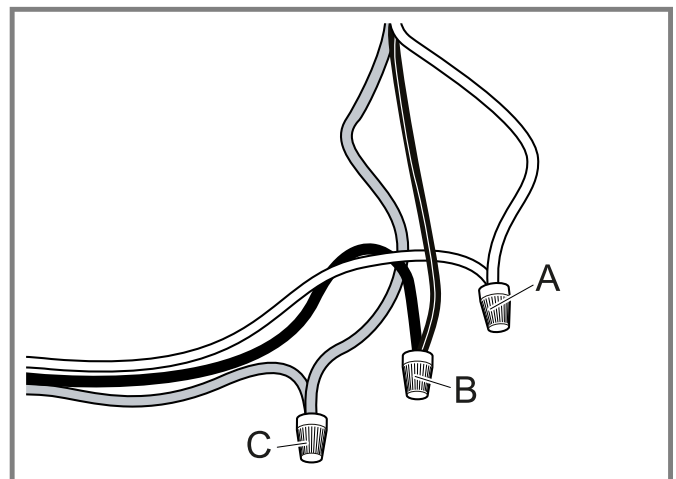


1. Pasar un cable de alimentación de 120 V CA, circuito de 15 amperios desde el panel de servicio a través del prensacable.

→ "Colgar la campana de chimenea", Página 65



2. Conectar el cable negro al cable negro de la fuente de alimentación, el cable blanco al cable blanco de la fuente de alimentación y el cable verde al cable verde o al cable desnudo.



- | | |
|---|-------------------------------|
| A | Blanco a blanco |
| B | Negro a negro |
| C | Verde a verde o cable desnudo |

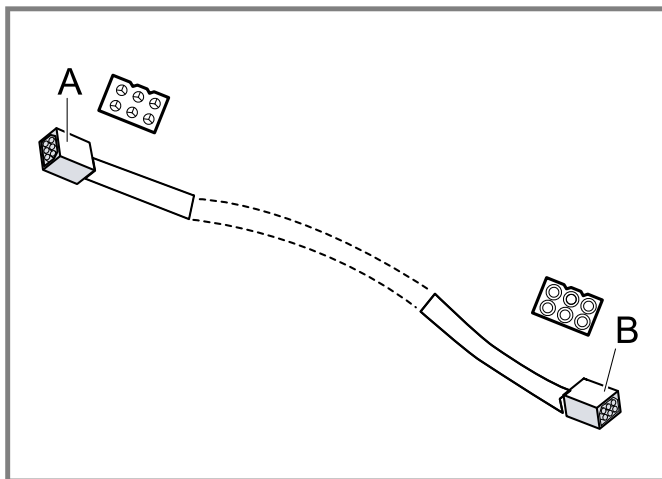
3. Colocar todas las conexiones de cableado dentro del canal de la caja de conexiones. Volver a montar en la placa superior. Asegurarse de que los cables están bien sujetos y de que no hay ningún cable pinzado.

Conectar el cable de extensión (opcional)

Cable de extensión del módulo del ventilador y del ventilador remoto de 25 pies EXTNCB25W.

1. Componentes incluidos:
 - (1) Cable de 25 pies
 - Cables adaptadores (2) - no necesarios para todos los modelos
2. Pasar el arnés del ventilador interno de la campana a través del prensacable.

3. Conectar el cable de extensión de 25 pies al arnés del ventilador fuera de la campana.



- A Se conecta a la campana
- B Se conecta a un módulo de ventilador o ventilador en línea

Nota: Cortar el conector anulará la garantía del aparato.

El cable de extensión del ventilador es compatible con el ventilador en línea y el módulo del ventilador:

Ventilador	Modelo
Módulo del ventilador	VTR2FZ
Ventilador en línea	VTI2FZ

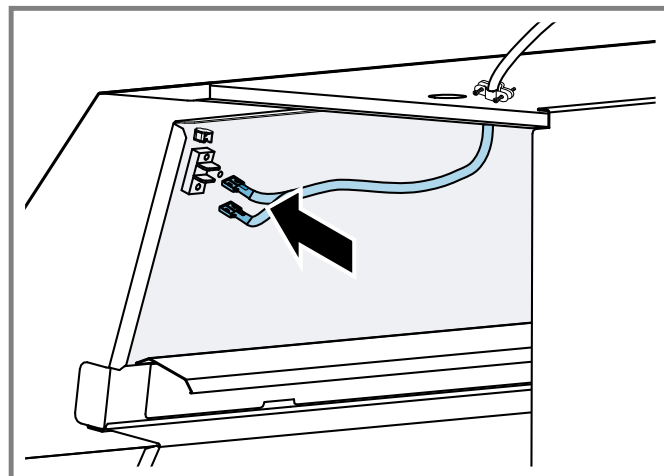
5.6 Interruptor de relé de regulador de aire de compensación (opcional)

Los códigos locales pueden requerir el uso de un regulador de contracorriente adicional y/o regulador de aire de compensación. Contactar con su profesional local de HVAC para conocer los requisitos específicos. Esta campana posee un interruptor de relé para conectar un regulador de aire de compensación (máx. 120 V). Los montajes variarán según la ubicación en el hogar donde se instale el aparato y se use el regulador. Usar la siguiente ilustración como guía para el montaje. Cumplir siempre con los requisitos del código local.

Conectar el interruptor de relé de regulador de aire de compensación

1. Acceso al cableado de la campana.

2. Pasar el arnés del regulador de aire de compensación a través del prensacable hacia el bloque de terminales.
 - Las conexiones de retorno y en caliente del kit de aire de compensación pueden usar cualquier conexión de terminal. No hay requisito de polaridad para el bloque de terminales de dos pines.



3. Asegurar el cable de tierra con el tornillo de tierra verde T-20.

5.7 Accesorio integrado para el mando a distancia (opcional)

Antes de empezar, leer estas instrucciones atentamente. Se recomienda colocar el cableado del mando a distancia una vez instalada la campana.

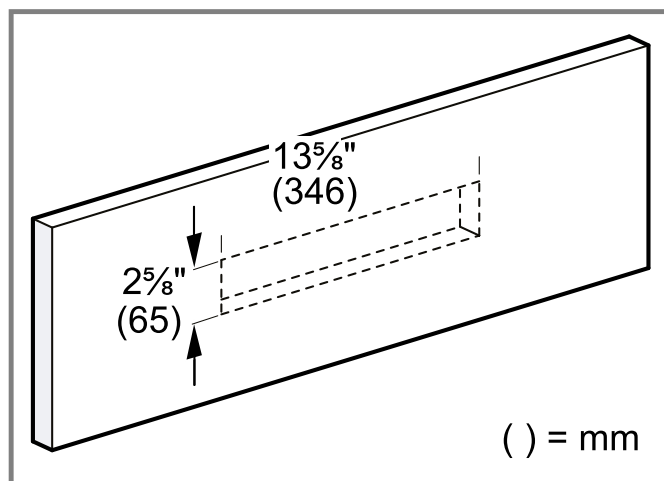
IMPORTANTE: cortar un conector del aparato o del kit del cable de extensión anulará la garantía.

REMCPW piezas incluidas:

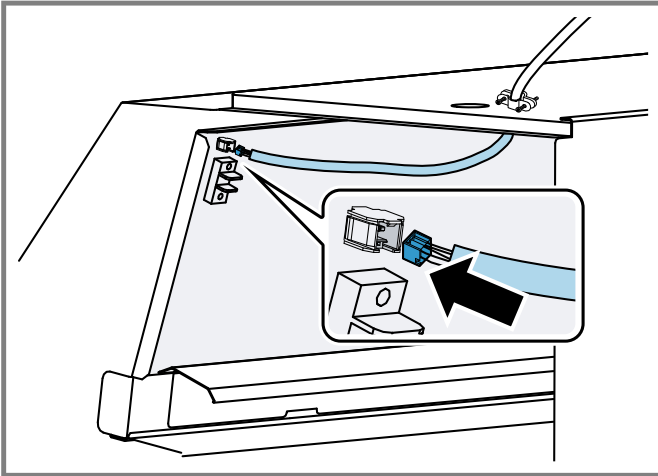
- Mando a distancia (1)
- Cable de extensión de 10 m (30 pies)

Montar el mando a distancia

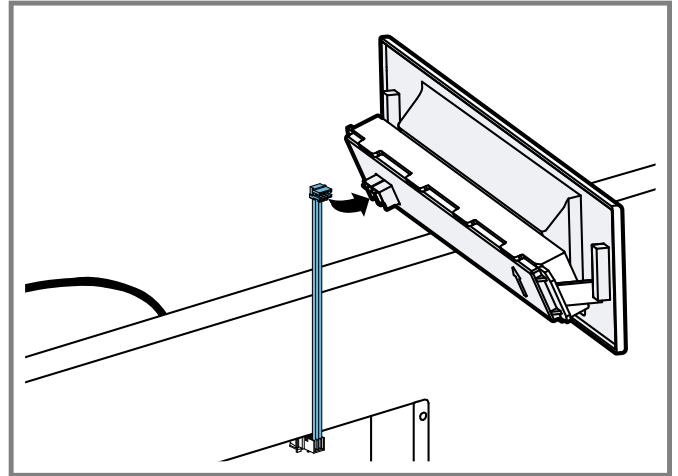
1. Preparar la abertura en la pared o superficie similar para el montaje como se muestra a continuación (vista frente a la pared).



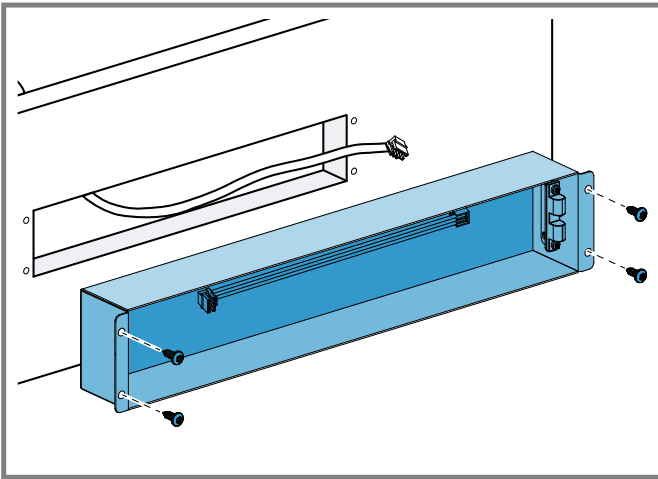
2. Acceso al cableado de la campana. Pasar el arnés de extensión de 30 pies a través del prensacable al clip de montaje cuadrado, hasta que haga clic.



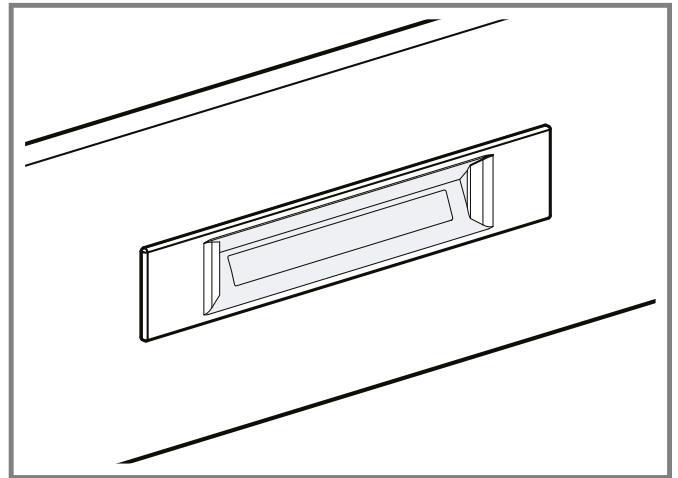
5. Conectar el conector del arnés de cables dentro de la placa de fijación al terminal en la parte posterior del mando a distancia. Usar cualquiera de las terminales.



3. Pasar el arnés de extensión de 30 pies a través de la abertura y conectar el arnés a la parte posterior de la placa de fijación del mando a distancia.
4. Presionar la placa de fijación dentro de la abertura. Perforar un agujero roscado de 6 mm (1/4") a través de los agujeros de la placa de fijación en la pared. Colocar la placa de fijación a la pared, usando los cuatro (4) tornillos suministrados.



6. Ajustar el mando a distancia en la placa de fijación hasta que haga clic.



5.8 Extensión de la chimenea (opcional)

Las extensiones opcionales de la chimenea y las extensiones telescópicas se utilizan para rellenar el espacio entre la campana y el techo. Las extensiones están disponibles para su compra por separado.

- Utilizar las extensiones de la chimenea para techos de 2.4 m (8')
- Utilizar las extensiones telescópicas para techos de 3 m (10').

Modelo de campana	Extensión de 6"	Extensión telescópica
HPCN36WS	CHMHP366W	CHMHP48TW (18"- 35") CHMHP48XTW (42"-59")
HPCN48WS	CHMHP486W	CHMHP48TW (18"- 35") CHMHP48XTW (42"-59")

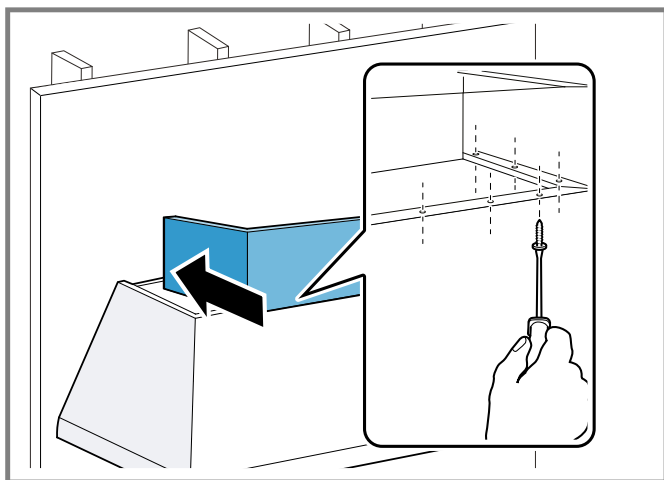
Montar la extensión de chimenea

Requisito: IMPORTANTE: asegurar la campana de pared de chimenea a la pared antes de instalar la extensión de la chimenea. → *Página 65*

1. El montaje de la campana de chimenea debe mantener una altura mínima de 762 mm (30") desde la parte inferior de la campana hasta la superficie de cocción. Para determinar la colocación de la campana con una extensión de chimenea, se debe calcular la altura de la extensión de la chimenea.

→ *"Cálculo de la altura de extensión de la chimenea opcional", Página 62*

2. Desde el interior de la campana, atornillar los tornillos para placa metálica suministrados de 16 mm (5/8") a través de los agujeros en cada lado y a lo largo del frente en la parte inferior de la extensión, como se muestra a continuación. La cantidad de tornillos depende del tamaño de la campana.



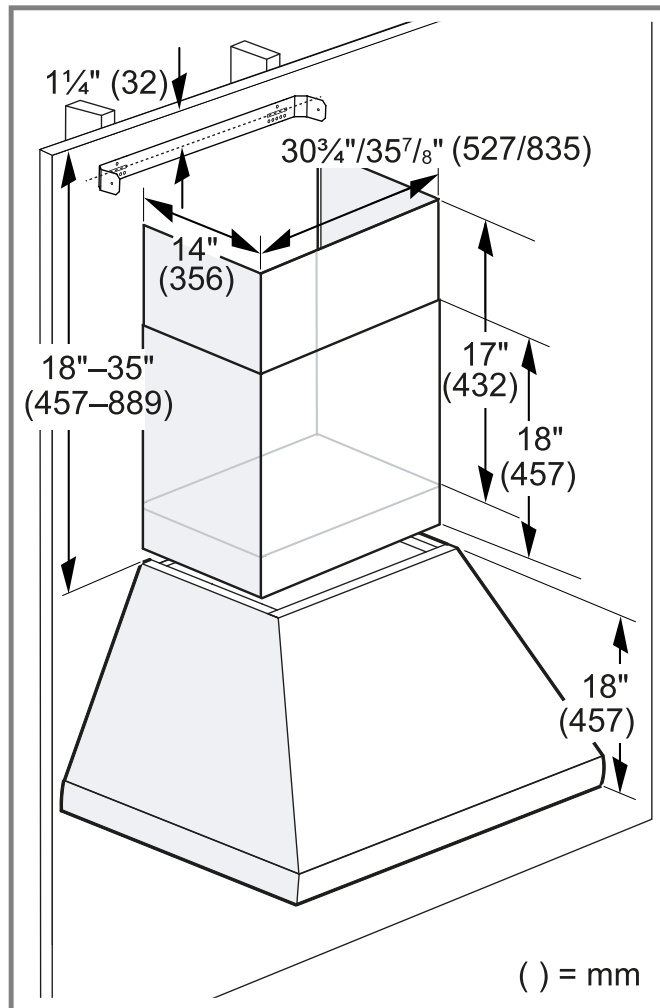
Montaje de la extensión telescópica de la chimenea

Requisito: IMPORTANTE: fijar la campana extractora de chimenea a la pared después de colocar la placa de fijación del montaje de la extensión, pero antes de instalar la extensión telescópica de la chimenea. Ver «Colgar la campana de pared de chimenea» antes de asegurar la extensión. → *Página 65*

1. Garantizar una altura mínima de 762 mm (30") desde la parte inferior de la campana extractora hasta la superficie de cocción.

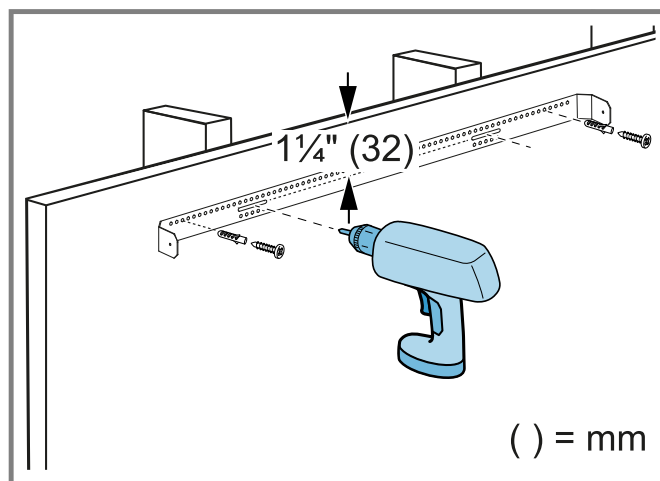
→ *"Cálculo de la altura de extensión de la chimenea opcional", Página 62*

2. Colocar dos montantes en el lugar de montaje.

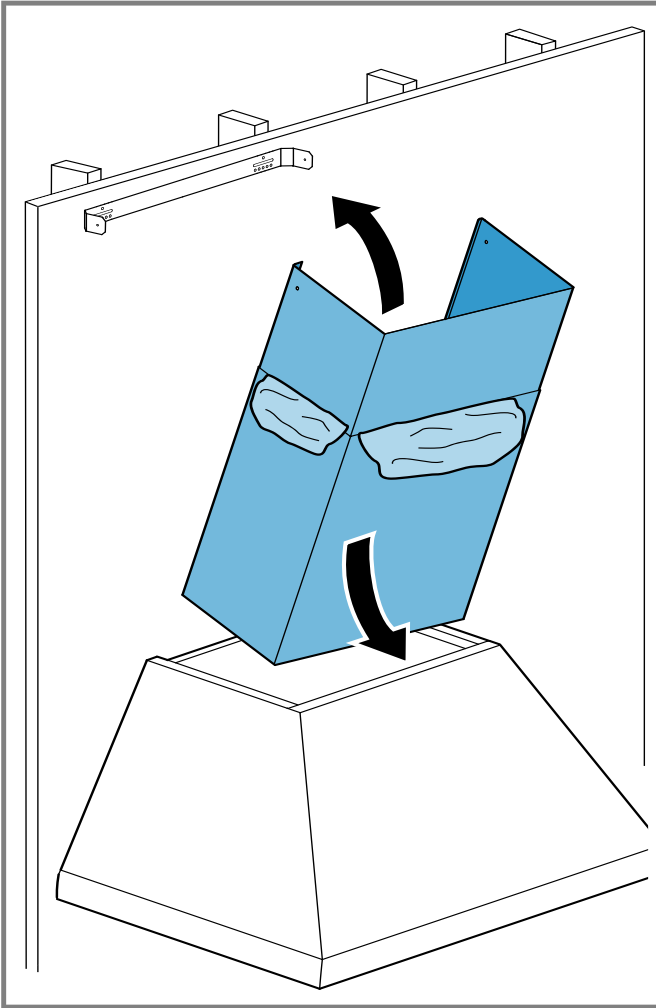


3. En las ubicaciones de los montantes de la pared, medir 32 mm (1 1/4") hacia abajo desde el techo hasta la mitad de la placa de fijación.

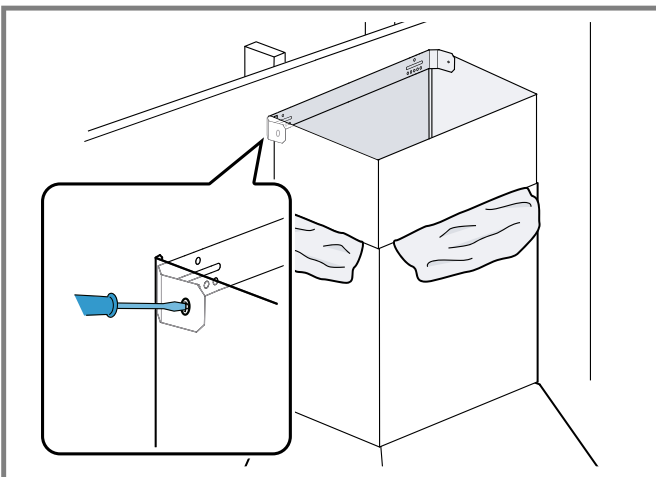
4. Montar la placa de fijación en las ubicaciones de los montantes de la pared utilizando dos (2) tornillos de 38 mm (1 1/2") (incluidos). Asegurarse de que la placa de fijación está nivelada.



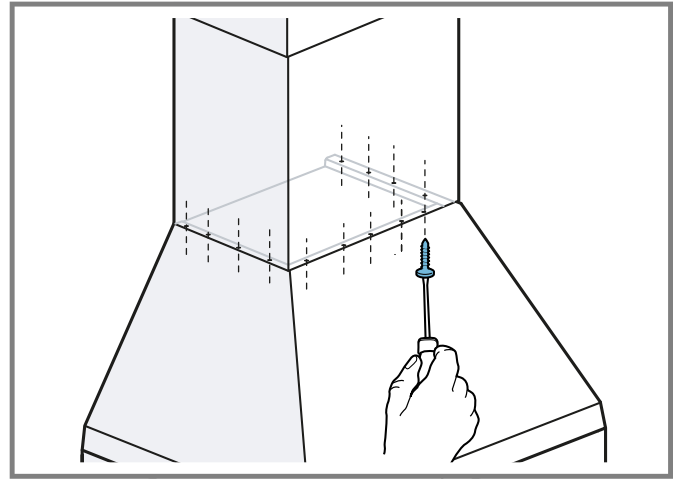
5. Introducir toda la chimenea en ángulo y girarla hacia la pared.



6. Jalar con cuidado hacia arriba de la parte superior de la extensión. Atornillar los costados izquierdo y derecho de la extensión a la placa de fijación del montaje con los tornillos de acero inoxidable suministrados.



7. Desde el interior de la campana, atornillar los tornillos para placa metálica suministrados de 16 mm (5/8") a través de los agujeros en cada lado y a lo largo del frente en la parte inferior de la extensión. El número de tornillos depende del tamaño de la campana.



5.9 Montar las bandejas para la grasa y los filtros

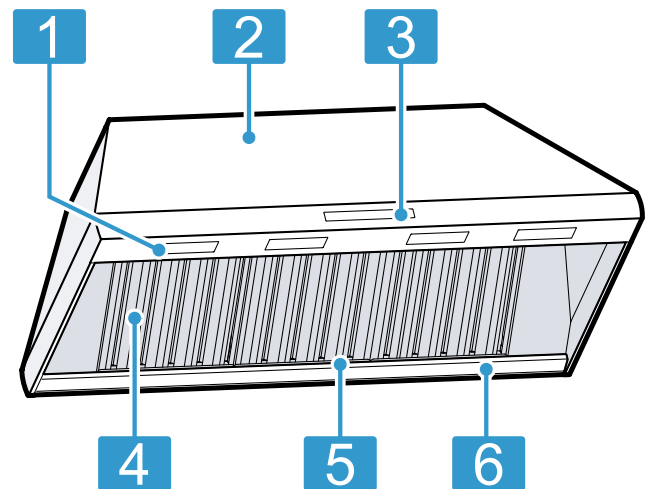
IMPORTANTE: NO usar la placa de cocción, la parrilla empotrable o la estufa mientras la campana extractora esté desmontada.

Campana de pared con chimenea

HPCNxxWx

Dimensiones disponibles: 610 mm (24") de profundidad con anchos de 914 mm (36") y 1,219 mm (48").

Esta serie de modelos posee un armazón de acero inoxidable cepillado con iluminación LED.

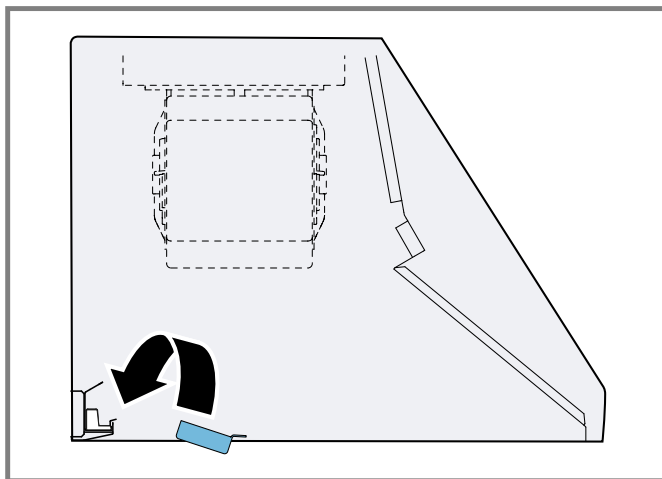


- | | |
|---|---------------------------------|
| 1 | Iluminación LED |
| 2 | Visera de la campana extractora |
| 3 | Panel de control táctil |
| 4 | Deflectores de aire |
| 5 | Bandejas de goteo de grasa |

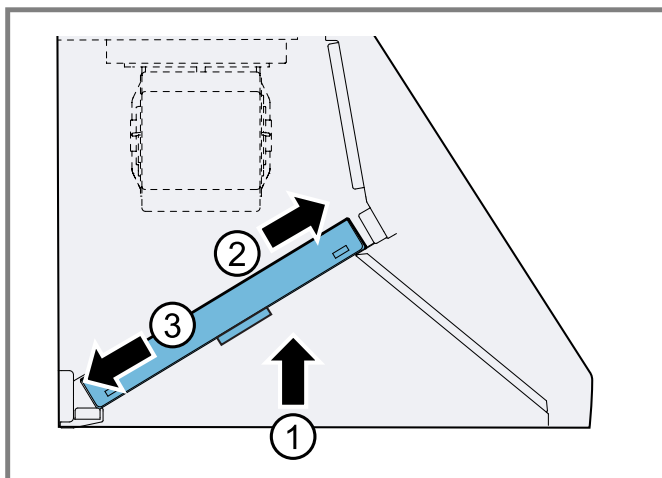
6 Ranura para la bandeja de goteo de grasa

Montar los filtros y las bandejas para la grasa

1. Apagar el ventilador y la iluminación.
2. Retirar todo el plástico de las piezas de la campana.
3. Introducir la bandeja para la grasa en la bandeja trasera. Empujar la bandeja para la grasa hacia dentro y hacia abajo dentro de la ranura para la bandeja de la grasa. Las bandejas para la grasa deben estar en su lugar antes de montar los filtros.
 - La pequeña bandeja para grasa debe instalarse en el centro de la campana.



4. Montar los filtros. Empezar por un filtro externo. Agarrar el filtro por el asa, si corresponde, o por los costados. No colocar los dedos dentro de las rejillas del filtro. Deslizar el filtro hacia arriba, hacia la parte frontal de la campana; a continuación, empujarlo hacia abajo en la parte superior de la bandeja para grasa.



5. Para extraer los filtros y las bandejas para la grasa, asegurarse de que los filtros estén fríos y la grasa se haya solidificado. Proceder según las instrucciones anteriores, pero en el orden inverso.

6 Lista de comprobación del instalador

Comprobación final

- Se mantienen las distancias especificadas a las superficies de los gabinetes.
- El aparato está nivelado.
- Se ha retirado todo el material de empaque.
- La conexión a tierra es adecuada.
- El propietario conoce la ubicación del interruptor de circuito principal.
- INSTALADOR:** escribir el número de modelo y el número de serie que se encuentran en manual. Dejar manual y manual de instalación con el dueño del aparato.

Limpiar y proteger las superficies exteriores

- Limpiar las superficies de acero inoxidable con un paño húmedo enjabonado. Enjuagar con agua limpia y secar con un paño suave para evitar marcas de agua. Eliminar las huellas dactilares y las manchas con un limpiavidrios suave.
- Usar un producto de limpieza para acero inoxidable con un paño suave para dar brillo y proteger el acero inoxidable. El acondicionador de acero inoxidable Thermador está disponible para su compra en la tienda en línea de accesorios (solo EE.UU.) www.thermador.com/us/accessories.
- No utilizar el acondicionador en superficies que no sean de acero, logotipos, marcas de control, etiquetas, acero inoxidable negro o a prueba de manchas e interiores de electrodomésticos.
- NO dejar que la suciedad permanezca largos períodos de tiempo.
- NO usar fibras de acero o cepillos de acero comunes. Se pueden pegar trozos pequeños de acero a la superficie y oxidarla.
- NO permitir que soluciones salinas, desinfectantes, blanqueadores o compuestos de detergentes tengan contacto prolongado con el acero inoxidable. Muchos de estos compuestos contienen químicos que podrían ser dañinos. Enjuagar con agua después de cada exposición y secar con un paño limpio.

Solución de problemas

Para obtener información sobre solución de problemas consultar el manual.

Consultar la Garantía Limitada del Producto en la Guía de Uso y Cuidado. Al momento de llamar, tener preparada la información que aparece en la placa de características del producto.

7 Servicio de atención al cliente

En cada reparación cubierta por la garantía, nos aseguramos de que su aparato sea reparado con repuestos originales por un proveedor de servicio capacitado y autorizado. Solo utilizamos repuestos originales para todos los tipos de reparaciones. Las informaciones detalladas sobre el periodo de validez de la garantía y las condiciones de garantía las podrá encontrar en nuestras condiciones de garantía, con su distribuido o en nuestra página web.

Cuando se ponga en contacto con el servicio de atención al cliente, no olvide indicar el número de modelo (E-Nr.) y el número de fabricación (FD) de su aparato.

Las fuentes de luz se encuentran disponibles como repuesto y su sustitución solo la puede llevar a cabo personal cualificado.

USA:

1-800-735-4328

www.thermador.com/support

www.thermador.com/us/accessories

CA:

1-800-735-4328

www.thermador.ca

www.thermador.ca/en/support/filters-cleaners-accessories

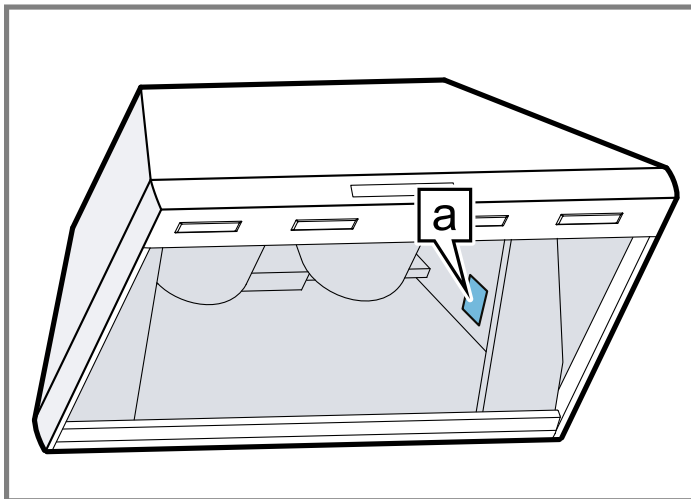
7.1 Número de modelo (E-Nr.) y número de fabricación (FD)

El número de modelo (E-Nr.) y el número de fabricación (FD) se encuentran en la placa de características del aparato.

Para volver a encontrar rápidamente los datos del aparato o el número de teléfono del servicio de atención al cliente, puede anotar dichos datos.

7.2 Ubicación de la placa de características del aparato

La placa de datos del producto se encuentra en el marco detrás del filtro. Retirar el filtro para verla (ver la figura de abajo a modo de ejemplo).



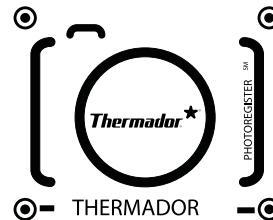
a Placa de características

7.3 Registro del producto

Registrar su producto Thermador para acceder a la información relacionada con su producto.

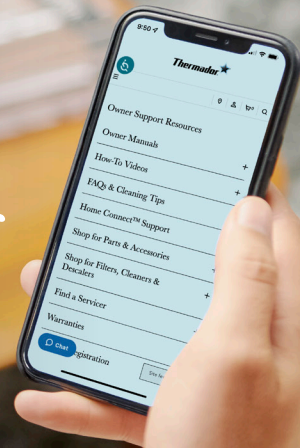
Es posible registrar su producto a través de una de las siguientes maneras:

- Registrarse con su teléfono (solo EE. UU.):



- Tomar una foto del ícono de la cámara en la tarjeta de registro, incluidos los puntos (⊙).
- Enviar la foto al 21432.
(Solo EE. UU.; pueden aplicar tarifas de texto y datos).
- Enviar la tarjeta completa de registro del producto a la dirección que figura en la misma.
- Registrar el producto en línea en
 - EE. UU.: www.thermador.com
 - Canadá: www.thermador.ca
- Llamar a Thermador Soporte de asistencia técnica al 1-800-735-4328.

Thermador[®] ★ Exclusive Insider Information



[Thermador.com/us/support/quicklinks](https://thermador.com/us/support/quicklinks)



Owner Manuals

Download owner manuals, specifications and CADs.



How-To Videos

View instructional videos for changing water filters, cleaning, adjusting settings, and beyond.



FAQs & Cleaning Tips

Browse through cleaning, usage, and troubleshooting tips.



Home Connect[®] Support

Find the answers to all your Home Connect[®] related questions.



Thermador Accessories Store

Purchase filters, cleaners, accessories, and parts.



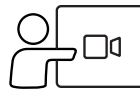
Warranties

View information on Thermador product warranties.



Product Registration

Register your products today to easily manage your appliance information.



Virtual Demo

Schedule a product overview to receive step-by-step guidance on using your appliance.



Virtual Showroom

Take a Virtual Showroom tour to view and interact with our entire collection of appliances.



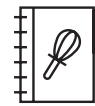
Newsletter

Get the latest information on product news and events.



Blog

Read about the latest in home design and culinary inspiration.



Recipes

Need inspiration for your next gathering? Browse our vast collection of recipes.

1901 MAIN STREET, SUITE 600 IRVINE, CA 92614 USA // 1-800-735-4328 // WWW.THERMADOR.COM

© 2024 BSH HOME APPLIANCES CORPORATION

8001302697 // en-us, fr-ca, es-mx // 040306

