

FISHER & PAYKEL

PRELIMINARY SPECIFICATION GUIDE

INTEGRATED RANGEHOOD



OVERVIEW

High-quality, integrated insert range hoods seamlessly blend with cabinetry and can be installed in a variety of kitchen layouts. Quiet and efficient, with four fan speeds. Enjoy seamless operation with Wi-Fi enabled remote control.

MODELS

Integrated Rangehood, 24"

HP24IDCHX4

Integrated Rangehood, 30"

HP30IDCHX4

Integrated Rangehood, 36"

HP36IDCHX4

SERIES & STYLE

Series 7

Integrated

FEATURES

- ① Seamlessly integrated
- ② Wi-Fi enabled for remote control and notifications through the SmartHQ™ app and Bluetooth connectivity
- ③ Powerful 400CFM maximum airflow
- ④ Energy-efficient LED lighting creates a warm (or cold), even glow
- ⑤ Sleek black glass finish with real stainless steel frame
- ⑥ Four fan speeds
- ⑦ Automatic alert works as a reminder to clean filters for optimal performance
- ⑧ Removable, easy-to-clean filters that effectively trap grease
- ⑩ Delayed turn off

OPTIONAL ACCESSORIES

- ① Recirculation Carbon Filter
- ② Aluminium Filter

FISHER & PAYKEL

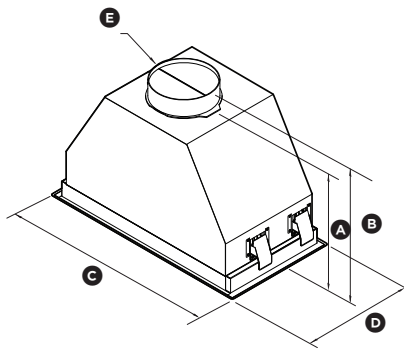
PRELIMINARY SPECIFICATION GUIDE

INTEGRATED RANGEHOOD, 24"

SPECIFICATIONS

Model No.	HP24IDCHX4
Dimensions	H 12 7/16" x W 20 7/8" x D 11"
Weight	14 lbs
Minimum distance above cooktops	min. 24" - max. 29 1/2"
Electrical	
Supply	120 V, 60 Hz
Receptacle	3-pin plug
Light source	
Type	Bi colour LED strip
Temperature	4000K or 3000K

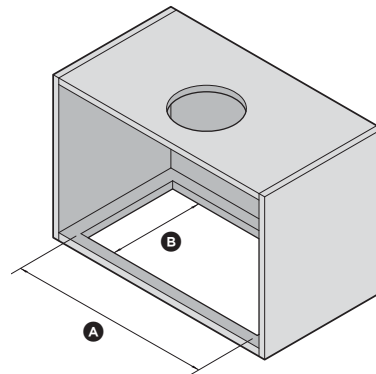
PRODUCT DIMENSIONS



ISO VIEW

	inches
(A) Overall height of rangehood without ducting adapter	12 7/16
(B) Overall height of rangehood with ducting adapter	15 11/16
(C) Overall width of rangehood	20 7/8
(D) Overall depth of rangehood (excl. cabinetry front panel)	11
(E) Diameter of ducting adaptor	6

CABINETY DIMENSIONS: STANDARD INSTALLATION



ISO VIEW

	inches
(A) Width of cutout	19 11/16
(B) Depth of cutout	10 1/4

Note: We recommend the cabinet has a door or service panel that can be easily opened to access the power connection.

FISHER & PAYKEL

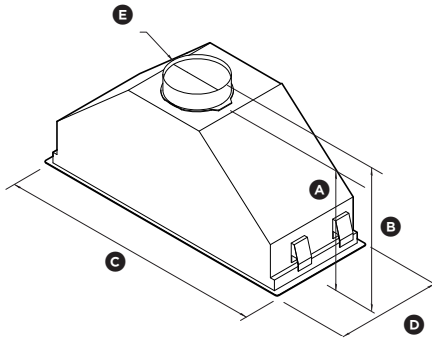
PRELIMINARY SPECIFICATION GUIDE

INTEGRATED RANGEHOOD, 30"

SPECIFICATIONS

Model No.	HP30IDCHX4
Dimensions	H 12 7/16" x W 28 3/4" x D 11"
Weight	17 lbs
Minimum distance above cooktops	min. 24" - max. 29 1/2"
Electrical	
Supply	120 V, 60 Hz
Receptacle	3-pin plug
Light source	
Type	Bi colour LED strip
Temperature	4000K or 3000K

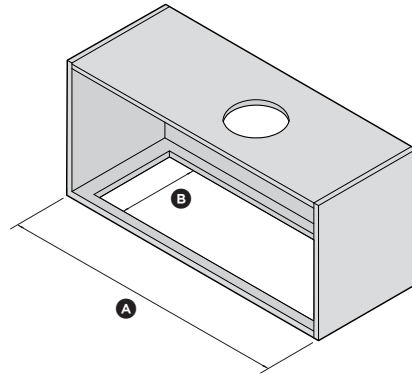
PRODUCT DIMENSIONS



ISO VIEW

		inches
(A)	Overall height of rangehood without ducting adaptor	12 7/16
(B)	Overall height of rangehood with ducting adaptor	15 7/16
(C)	Overall width of rangehood	28 3/4
(D)	Overall depth of rangehood (excl. cabinetry front panel)	11
(E)	Diameter of ducting adaptor	6

CAVITY DIMENSIONS: STANDARD INSTALLATION



ISO VIEW

		inches
(A)	Width of cutout	27 9/16
(B)	Depth of cutout	10 1/4

Note: We recommend the cabinet has a door or service panel that can be easily opened to access the power connection.

FISHER & PAYKEL

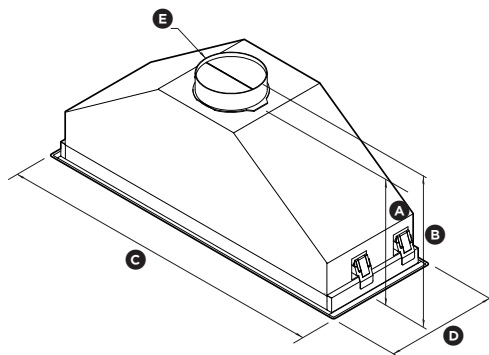
PRELIMINARY SPECIFICATION GUIDE

INTEGRATED RANGEHOOD, 36"

SPECIFICATIONS

Model No.	HP36IDCHX4
Dimensions	H 12 7/16" x W 32 11/16" x D 11"
Weight	19 lbs
Minimum distance above cooktops	min. 24" - max. 29 1/2"
Electrical	
Supply	120 V, 60 Hz
Receptacle	3-pin plug
Light source	
Type	Bi colour LED strip
Temperature	4000K or 3000K

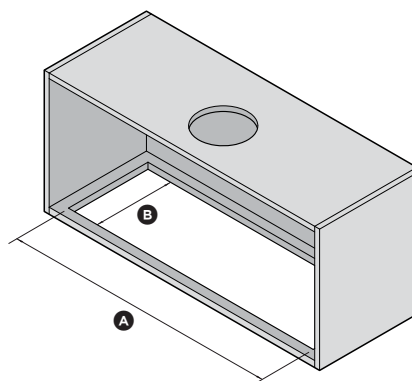
PRODUCT DIMENSIONS



ISO VIEW

	inches
(A) Overall height of rangehood without ducting adapter	12 7/16
(B) Overall height of rangehood with ducting adapter	15 11/16
(C) Overall width of rangehood	32 11/16
(D) Overall depth of rangehood (excl. cabinetry front panel)	11
(E) Diameter of ducting adaptor	6

CAVITY DIMENSIONS: STANDARD INSTALLATION



ISO VIEW

	inches
(A) Width of cutout	31 1/2
(B) Depth of cutout	10 1/4

Note: We recommend the cabinet has a door or service panel that can be easily opened to access the power connection.