

FISHER & PAYKEL

INSERT RANGE HOOD



CONTEMPORARY

HP24IDCHX4, HP30IDCHX4, HP36IDCHX4 models

INSTALLATION GUIDE

US CA

⚠ WARNING!



Electric Shock Hazard

Failure to follow this advice may result in electric shock or death.

- Installation and electrical wiring must be completed by qualified person(s) in accordance with all applicable codes and standards, including fire-rated construction.
- Always disconnect the appliance from the mains power supply before carrying out any maintenance or repairs.
- Improper grounding can result in a risk of electric shock

⚠ WARNING!



Weight Hazard

Failure to follow this advice may result in damage or personal injury.

- The appliance is heavy. Please ensure adequate care is taken when installing the appliance.
- The appliance must be installed onto a solid wall, stud, beam or truss.
- **Product weight:** HP24: 22lb (10kg), HP30: 22lb (10kg), HP36: 26lb (12kg).

⚠ WARNING!



Cut Hazard

Failure to use caution could result in injury.

- Take care: some edges are sharp.
- Wear gloves to protect against sharp edges.

⚠ WARNING!



Fire Hazard

Failure to follow this advice may result in serious burns or death.

- Never leave surface units unattended at high settings. Boilovers cause smoking and greasy spillovers that may ignite. Heat oils slowly on low or medium settings.
- Do not vent exhaust air into spaces within walls or ceilings or into attics, crawl spaces, or garages.
- Always turn hood ON when cooking at high heat or when flambéing food.
- Clean ventilating fans frequently. Grease should not be allowed to accumulate on fan or filter.
- Use proper pan size. Always use cookware appropriate for the size of the surface element.

READ AND SAVE THESE INSTRUCTIONS

WARNING!

When using this appliance always exercise basic safety precautions including the following:

Installation

- Please read the entire set of instructions before installing or using this appliance.
- Please make this information available to the person installing the appliance - doing so could reduce your installation costs.
- Ducted hoods must always be vented to the outdoors.
- Always switch the power off prior to installation, servicing or cleaning of the appliance.
- This appliance must be installed and connected to the mains power supply only by a suitably qualified person according to these installation instructions and in compliance with any applicable local building and electricity regulations. Failure to install the appliance correctly could invalidate any warranty or liability claims.
- Ducting accessories are not supplied. All ducting must comply with local requirements and building codes.
- Attention should be given to ensure that any applicable regulations concerning the discharge of exhaust air are fulfilled.
- Before connecting any pipes, consult municipal ordinances to ensure that any applicable regulations concerning the discharge of exhaust air are adhered to and request permission from the person in charge of the building.
- Exhaust air must not be discharged into an existing flue that is used for exhausting fumes from appliances burning gas or other fuels.

SAFETY AND WARNINGS

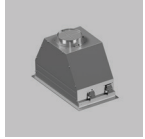
- There shall be adequate ventilation of the room when the range hood is used at the same time as appliances burning gas or other fuels.
- The minimum distance between the supporting surface for cooking vessels on the cooktop and the lowest part of the range hood shall be 24" (610mm).
- Stainless steel is very easily damaged during installation if abraded or knocked by tools. It is recommended to protect the top of the range hood with cardboard or polystyrene during the installation to minimise the risk of damage occurring.
- To reduce the risk of damage occurring to the cooktop, it is recommended that the surface of the cooktop is protected with cardboard or a similar object during installation of the range hood.
- This appliance is not intended for use by persons (including children) with reduced physical, sensory or mental capabilities, or lack of experience and knowledge, unless they have been given supervision or instruction concerning the use of the appliance by a person responsible for their safety.
- Children should be supervised to ensure they do not play with the appliance. Cleaning and user maintenance shall not be made by children without supervision.
- You must read the details concerning the method and frequency of cleaning.
- There is a fire risk if cleaning is not carried out in accordance with the instructions.
- Never leave frying food unattended since grease can overheat and catch fire. The risk of fire is even greater in the case of used oil.
- Do not flambé under the range hood.
- Never use the range hood without the filters in place.
- During an electrostatic discharge (ESD) it is possible that the device will stop working. By switching the device off and on the device will again work as intended.
- CAUTION: accessible parts may become hot when used with cooking appliances.
- Remove all packaging, including protective wrappings, before use.
- WARNING - TO REDUCE THE RISK OF INJURY TO PERSONS IN THE EVENT OF A RANGE TOP GREASE FIRE, OBSERVE THE FOLLOWING:
 - SMOTHER FLAMES with a close-fitting lid, cookie sheet, or metal tray, then turn off the burner. BE CAREFUL TO PREVENT BURNS. If the flames do not go out immediately, EVACUATE AND CALL THE FIRE DEPARTMENT.
 - NEVER PICK UP A FLAMING PAN - You may be burned.
 - DO NOT USE WATER, including wet dishcloths or towels - a violent steam explosion will result.
 - Use an extinguisher ONLY if:
 - You know you have a Class ABC extinguisher, and you already know how to operate it.
 - The fire is small and contained in the area where it started.
 - The fire department is being called.
 - You can fight the fire with your back to an exit.

COMPONENTS REQUIRED

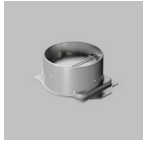
PARTS

- Keep all packing materials until the unit has been inspected.
- Inspect the product to ensure there is no shipping damage. If any damage is detected contact the dealer or retailer you bought the product from to report the damage.
- Fisher & Paykel is not responsible for shipping damage.

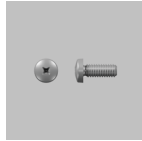
Supplied



Range hood (1)



6" (150mm) diameter ducting adapter (1)



Phillips screws (2)



Safety guide (1)



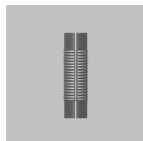
Warranty guide (1)

Not supplied

Recirculation Installation



793599 Carbon filter (2)

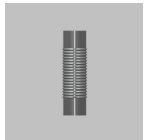


Ducting 6" (150mm) (1)*



Internal grill (1)

Duct out Installation



6" (150mm) rigid ducting (1)*

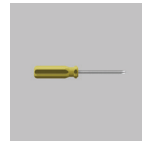


Duct outlet (Soffit, wall, roof) (1)

*length dependant on installation

TOOLS

Not supplied



Phillips screwdriver (1)



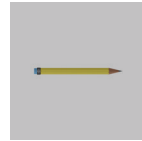
Aluminium tape (1)



Electric drill (1)



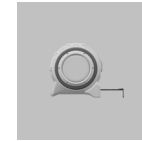
Jigsaw (1)



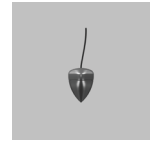
Pencil (1)



Ruler (1)



Tape measure (1)

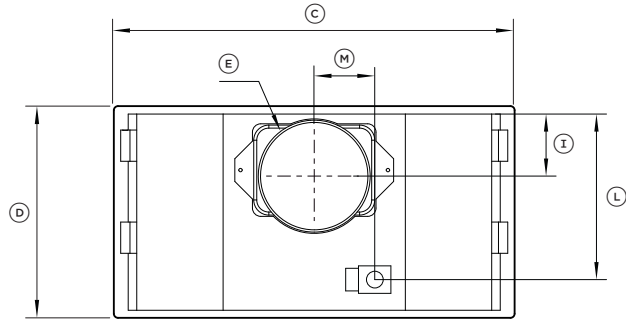


String & weight (1)

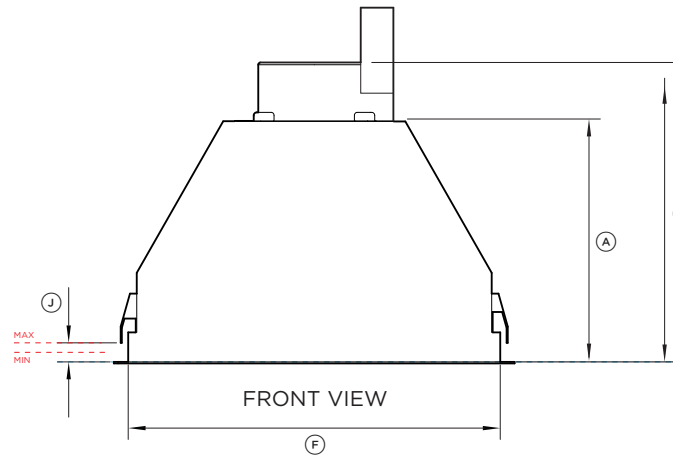
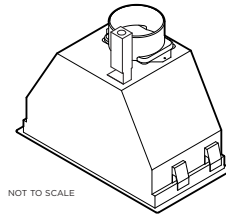


Straps (1)

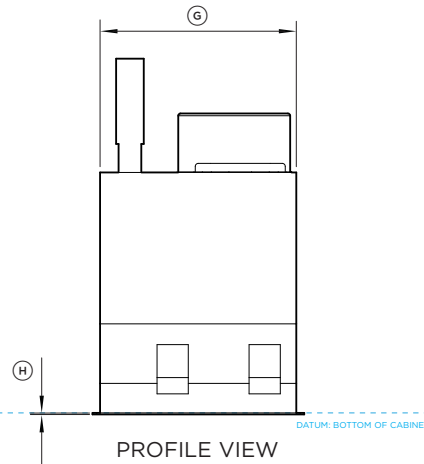
PRODUCT DIMENSIONS | HP24IDCHX4



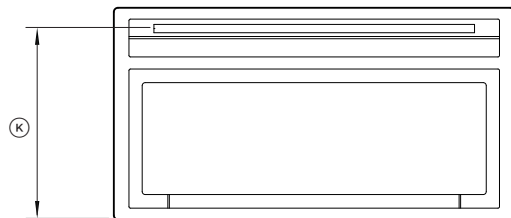
PLAN VIEW



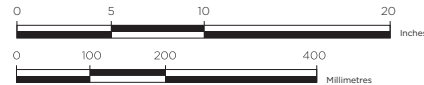
FRONT VIEW



PROFILE VIEW



BOTTOM VIEW



Product Dimensions		in	mm
A	Overall height of range hood without ducting adapter	12 7/16"	316
B	Overall height of range hood with ducting adapter	15 11/16"	398
C	Overall width of range hood	20 7/8"	530
D	Overall depth of range hood (excl. cabinetry front panel)	11"	280
E	Diameter of ducting adaptor	6"	150
F	Width of range hood chassis	19 3/8"	492
G	Depth of range hood chassis	10 3/16"	258
H	Thickness of flange	1/16"	2
I	Distance from ducting outlet center to rear of chassis	3 1/4"	82
J	Height adjustability of clip that secures cooker hood (cabinet base panel thickness)	min 9/16" max 1 9/16"	min 15 max 40
K	Distance from rear to center of light	9 15/16"	253
L	Distance from back of chassis to hard wiring box	8 9/16"	217
M	Distance from center of product to hard wiring box	3 1/4"	82

Cavity Dimensions Standard Installation		in	mm
Width of cutout		19 11/16"	500
Depth of cutout		10 1/4"	260

Minimum distance above cooktops		in	mm
Minimum height from top of cooktop to base of product		24"	610

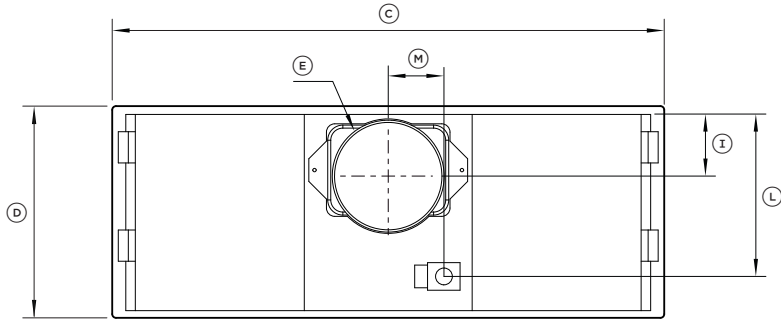
Minimum height may be greater if required by your cooktop. Refer to cooktop installation guide for details.

Note: We recommend the cabinet has a door or service panel that can be easily opened to access the power connection.

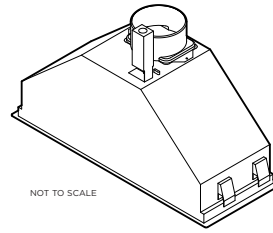
INDICATES PRODUCT DATUM
INDICATES CABINETY CLEARANCES - - - - -

Dimensions may vary by 1/16" (±2mm).

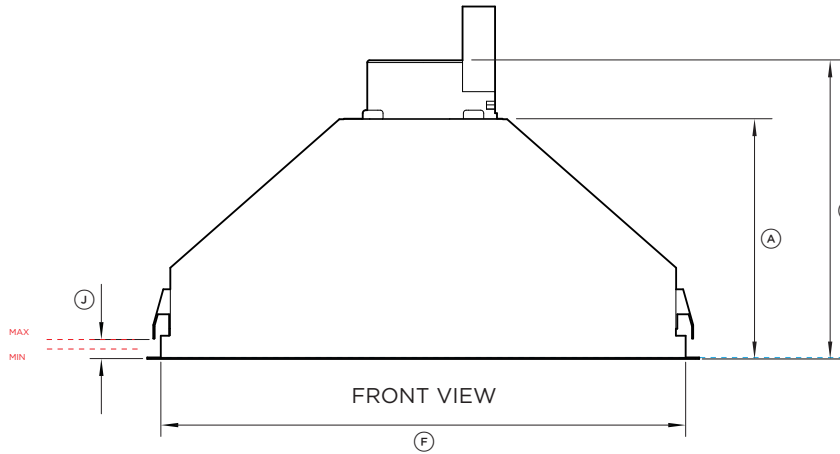
PRODUCT DIMENSIONS | HP30IDCHX4



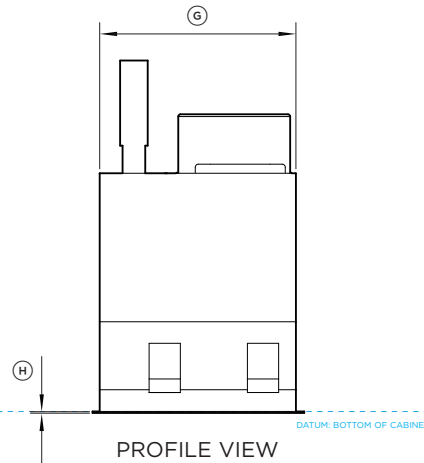
PLAN VIEW



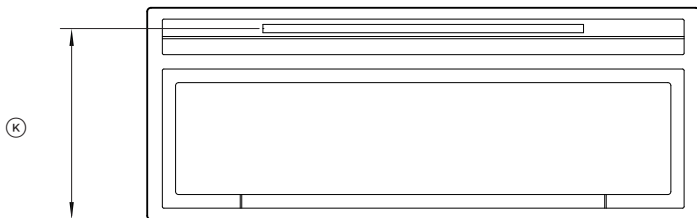
NOT TO SCALE



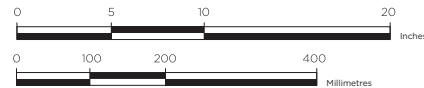
FRONT VIEW



PROFILE VIEW



BOTTOM VIEW



Product Dimensions	in	mm
Ⓐ Overall height of range hood without ducting adapter	12 7/16"	316
Ⓑ Overall height of range hood with ducting adapter	15 7/16"	392
Ⓒ Overall width of range hood	28 3/4"	730
Ⓓ Overall depth of range hood (excl. cabinetry front panel)	11"	280
Ⓔ Diameter of ducting adaptor	6"	150
Ⓕ Width of range hood chassis	27 5/16"	694
Ⓖ Depth of range hood chassis	10 3/16"	258
Ⓗ Thickness of flange	1/16"	2
Ⓘ Distance from ducting outlet center to rear of chassis	3 1/4"	82
Ⓢ Height adjustability of clip that secures cooker hood (cabinet base panel thickness)	min 9/16" max 1 9/16"	min 15 max 40
Ⓣ Distance from rear to center of light	9 15/16"	253
Ⓚ Distance from back of chassis to hard wiring box	8 5/16"	211
Ⓛ Distance from center of product to hard wiring box	2 7/8"	73

Cavity Dimensions Standard Installation	in	mm
Width of cutout	27 9/16"	700
Depth of cutout	10 1/4"	260

Minimum distance above cooktops	in	mm
Minimum height from top of cooktop to base of product	24"	610

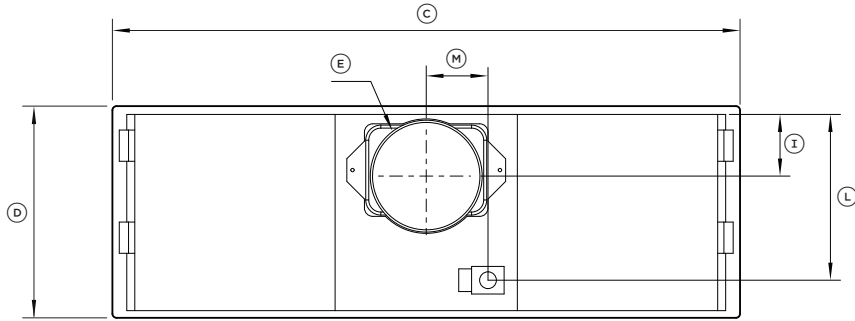
Minimum height may be greater if required by your cooktop. Refer to cooktop installation guide for details.

Note: We recommend the cabinet has a door or service panel that can be easily opened to access the power connection.

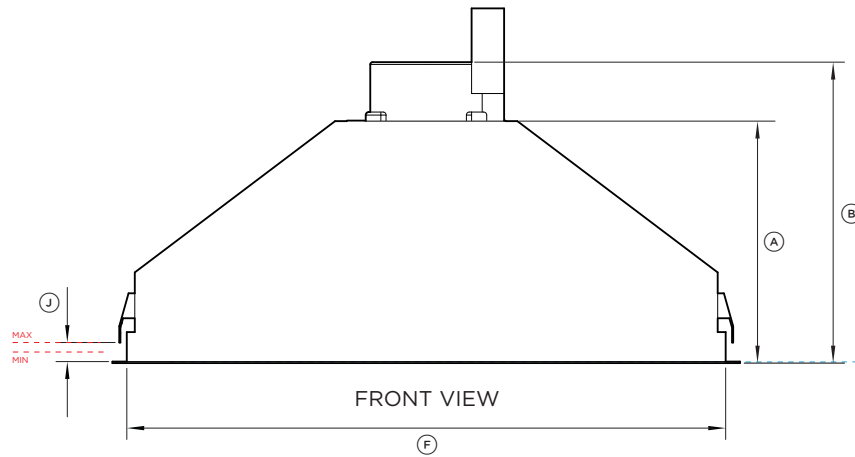
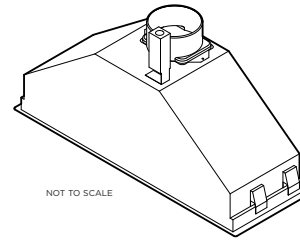
INDICATES PRODUCT DATUM
INDICATES CABINETY CLEARANCES - - - - -

Dimensions may vary by 1/16" (±2mm).

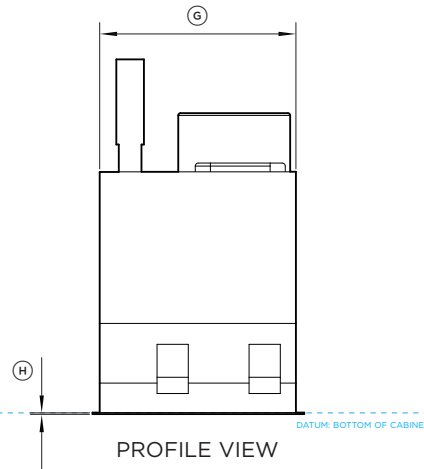
PRODUCT DIMENSIONS | HP36IDCHX4



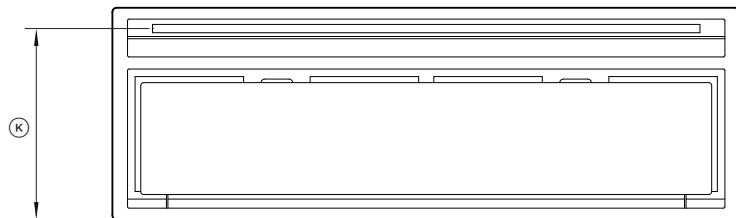
PLAN VIEW



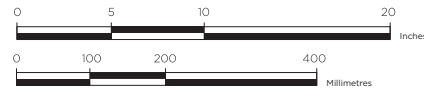
FRONT VIEW



PROFILE VIEW



BOTTOM VIEW



Product Dimensions	in	mm
Ⓐ Overall height of range hood without ducting adapter	12 7/16"	316
Ⓑ Overall height of range hood with ducting adapter	15 11/16"	398
Ⓒ Overall width of range hood	32 11/16"	830
Ⓓ Overall depth of range hood (excl. cabinetry front panel)	11"	280
Ⓔ Diameter of ducting adaptor	6"	150
Ⓕ Width of range hood chassis	31 3/16"	792
Ⓖ Depth of range hood chassis	10 3/16"	258
Ⓗ Thickness of flange	1/16"	2
Ⓘ Distance from ducting outlet center to rear of chassis	3 1/4"	82
Ⓛ Height adjustability of clip that secures cooker hood (cabinet base panel thickness)	min 9/16" max 1 9/16"	min 15 max 40
Ⓚ Distance from rear to center of light	9 15/16"	253
Ⓛ Distance from back of chassis to hard wiring box	8 9/16"	217
Ⓜ Distance from center of product to hard wiring box	3 1/4"	82

Cavity Dimensions Standard Installation	in	mm
Width of cutout	31 1/2"	800
Depth of cutout	10 1/4"	260

Minimum distance above cooktops	in	mm
Minimum height from top of cooktop to base of product	24"	610

Minimum height may be greater if required by your cooktop. Refer to cooktop installation guide for details.

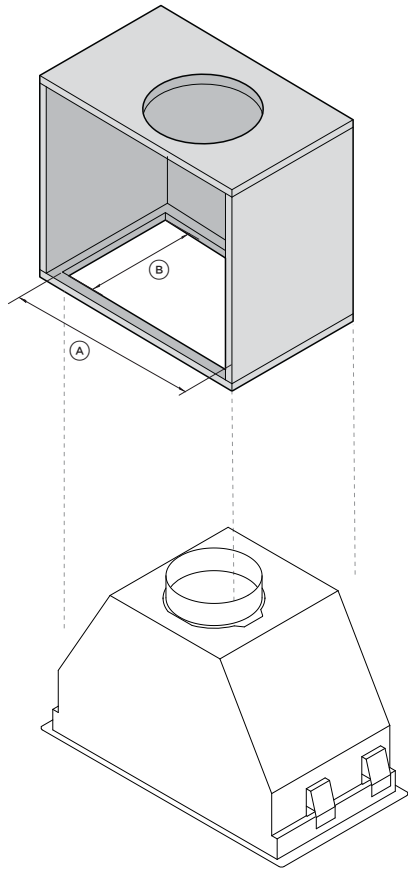
Note: We recommend the cabinet has a door or service panel that can be easily opened to access the power connection.

INDICATES PRODUCT DATUM -----
INDICATES CABINETRY CLEARANCES - - - - -

Dimensions may vary by 1/16" (±2mm).

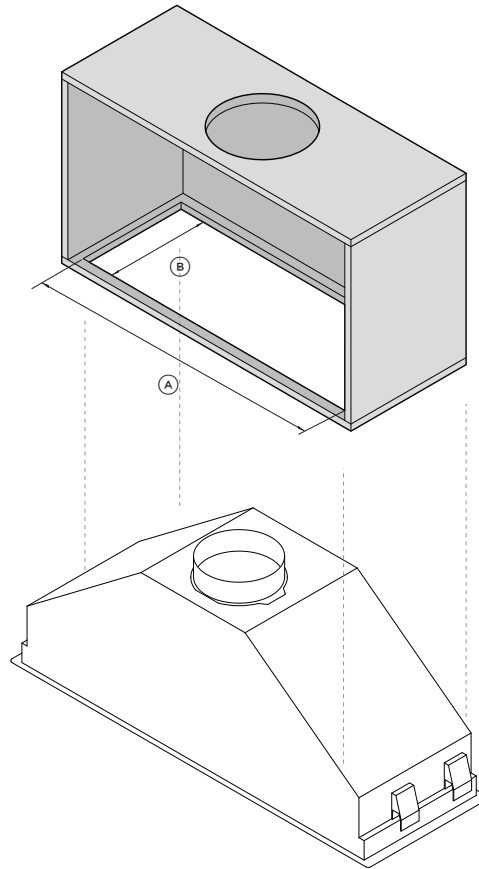
CUTOUT DIMENSIONS

24" MODELS



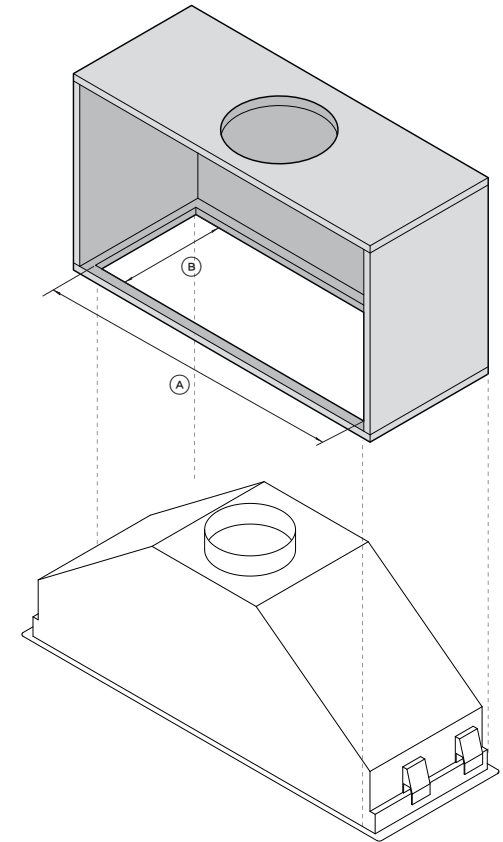
CUTOUT DIMENSIONS	HP24 MODELS	
	INCHES	MM
Ⓐ Overall width of the cutout	19 11/16	500
Ⓑ Overall depth of the cutout	10 1/4	260

30" MODELS



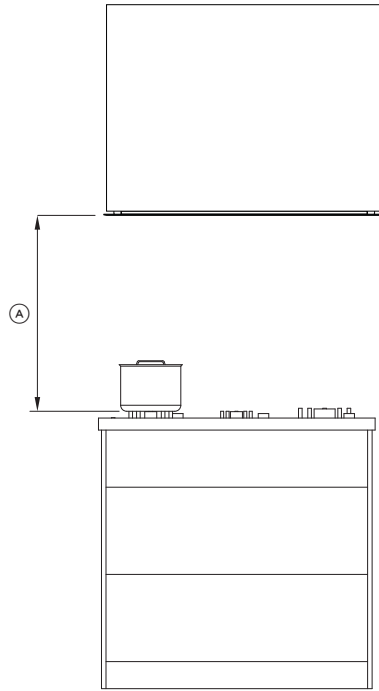
CUTOUT DIMENSIONS	HP30 MODELS	
	INCHES	MM
Ⓐ Overall width of the cutout	27 9/16	700
Ⓑ Overall depth of the cutout	10 1/4	260

36" MODELS



CUTOUT DIMENSIONS	HP36 MODELS	
	INCHES	MM
Ⓐ Overall width of the cutout	31 1/2	800
Ⓑ Overall depth of the cutout	10 1/4	260

INSTALLATION HEIGHT



HEIGHT DIMENSIONS	IN	MM
Ⓐ Height top of cooktop to base of product	min 24"	min 610

This range hood must be installed no lower than the minimum height indicated in the table above. Minimum installation height may be greater if required by the cooktop, refer to your cooktop installation instructions.

Installation at the minimum height will improve the efficiency of capturing cooking odours, grease and smoke.

Induction cooktop considerations

- Induction cooktops use energy efficient technology that only heats the contents of a cooking pot.
- Unlike gas or traditional electric cooktops, the surrounding air does not get heated when using an induction cooktop. As a result, range hood filters, splashbacks and surrounding cabinetry do not get warmed up, increasing the likelihood of condensation on these cooler surfaces.
- Other factors like ambient temperature, humidity, natural ventilation of the room, size of the cookware and how the induction cooktop is being used also influence condensation. For example, aggressive boiling on high cooktop heat settings like PowerBoost increases the rate at which water is evaporated, increasing the likelihood of condensation.
- It is important to understand that neither the range hood nor the induction cooktop are faulty as a result of this phenomenon.

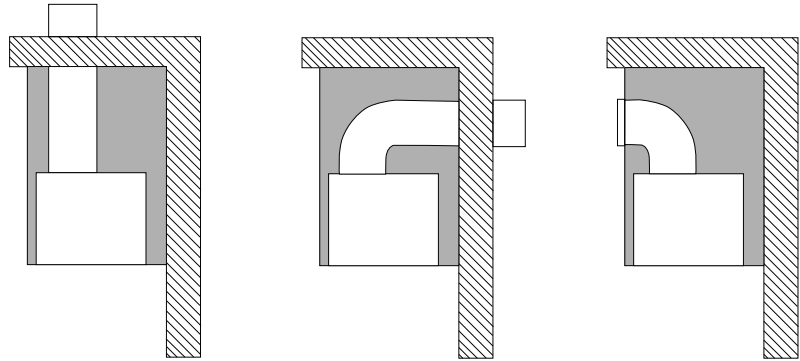
Condensation can be minimised by:

- Using the range hood on a lower speed setting when boiling.
- Using the induction cooktop on a lower heat setting when boiling.
- Switching the range hood on 5 minutes before cooking and letting it run for at least 5 minutes after cooking. Refer to the 'your user guide for details of how to use the timer function.
- NOTE: recirculation does not remove moisture.

VENTING REQUIREMENTS

Attention should be given to ensure that any applicable regulations concerning the discharge of exhaust air are fulfilled.

Vent installation types:



Vent through roof

Vent through exterior wall

Recirculate with carbon filters

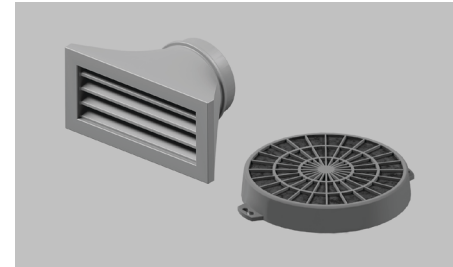
ELECTRICAL REQUIREMENTS

Before connecting the range hood to the power supply, ensure the voltage and frequency indicated on the rating plate match that of the installation location:

MODEL	FREQUENCY	VOLTAGE
HP24IDCHX4, HP30IDCHX4, HP36IDCHX4	60HZ	120V

INSTALL PREPARATION / CONSIDERATIONS

①



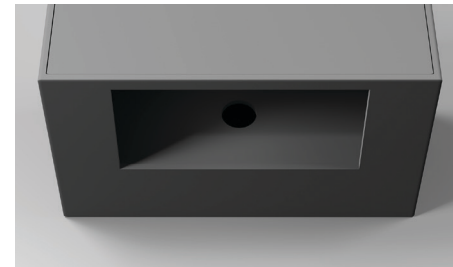
Recirculation installations only:
Additional accessories required:
Recirculation outlet.
Carbon filters.

②



Externally vented options:
Duct to roof and out external wall or soffit.
Duct to external wall and out.

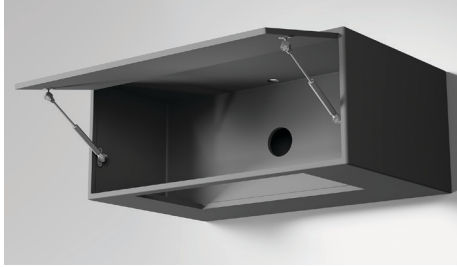
③



Ensure the cavity is set up to the correct specifications. Refer to 'cutout dimensions' for details.

INSTALL PREPARATION / CONSIDERATIONS

5



Ensure the top of the range hood remains accessible via the cavity throughout the installation.

6



Refer to cooktop specifications to ensure adequate clearances are maintained.

CHECK MATERIALS AND PARTS

1



Ensure the ducting is the correct length and compatible to the range hood.

UNPACK PRODUCT

1



Open carton and remove all packaging. Carefully lift the products out of the cartons.

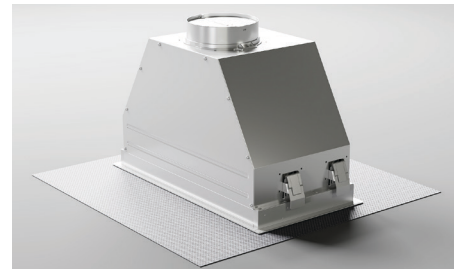
Place on a protected surface.

2



Dispose of packaging responsibly. Recycle where possible.

3



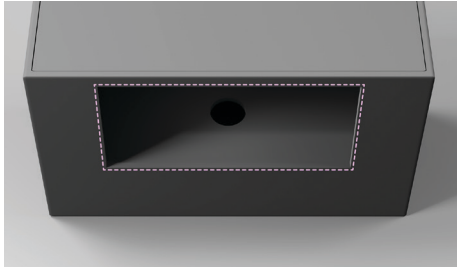
Inspect product for any damage. Connect to power and test.

PREPARE CABINETY

Ensure the cabinetry can support the weight of the range hood and ducting.

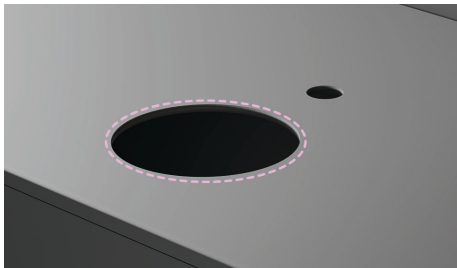
NON PRECUT CABINETY

①



Centre range hood over cooktop and prepare cutout to the required specifications. Refer to dimensions and cabinetry cutout pages.

②



Prepare the ducting route.

PRECUT CABINETY

①



Prepare the ducting route.

RECIRCULATION INSTALLATION

- Not relevant for externally vented options.
- Venting directly into the cabinet with no ducting and louvered vent is not permitted.
- Note: Placement of the louvered vent on the top of your cabinetry is not recommended. This should only be done if objects can be prevented from falling through the louvers into the blower.

①



Determine the desired location of the 6" (150mm) vent on your cabinetry.

The vent can be placed on the side or front of your cabinet provided there is sufficient clearance from the surrounding cabinetry to enable ventilated air to recirculate back into your kitchen.

②



Create a cutout in your cabinet to fit the 6" (150mm) vent. Place the vent on the hole created and secure.

Note that shapes and sizes of louvered vents can vary. Refer to your vent selected for details.

③



Connect the blower outlet to the vent with a length of 6" (150mm) rigid ducting, and secure the joints with aluminium tape.

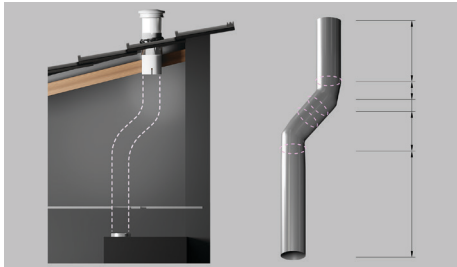
Ensure there is no slack in the ducting.

INSTALL DUCTING

RIGID DUCTING

- Not relevant for recirculation installation.
- Vent representative in the following rigid ducting steps.

①



Ensure the ducting is the correct length and size for your range hood and that all required bends are present.
Do not reduce the duct diameter as this will increase noise.

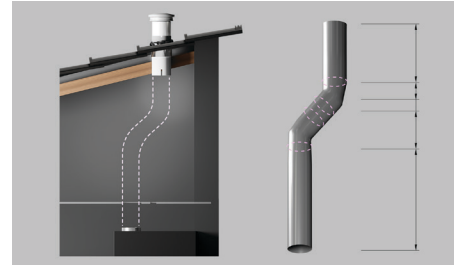
②



Install external venting as required:
Weather proofing requirements depend on the cladding/roofing type.



③



Cut ducting to length.

④



Route ducting and assemble.

⑤



Tape ducting to seal.

⑥

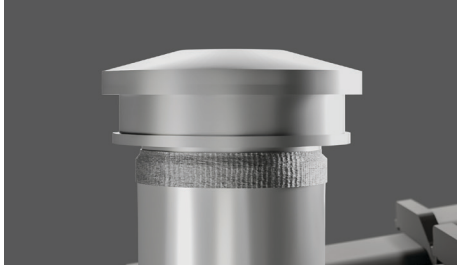


If required, secure ducting within ceiling.

INSTALL DUCTING

RIGID DUCTING

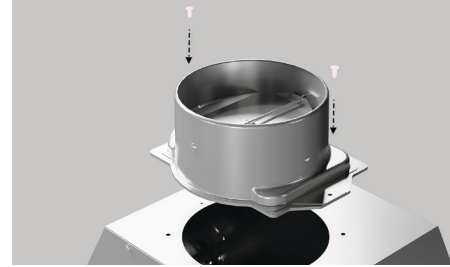
7



Fit ducting to the external vent and secure.

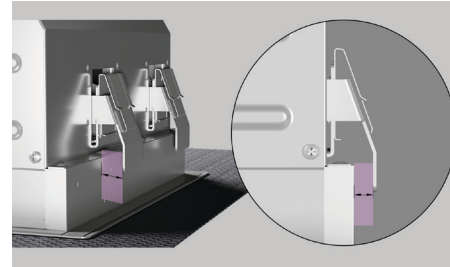
PREPARE HOOD

1



Fit the duct adapter to the range hood using two supplied Phillips screws.

2



Ensure that there is an air gap between the mounting brackets and the hood chassis. The mounting brackets can be adjusted to achieve this if needed.

INSTALL HOOD

①



Lift range hood into cavity until all four mounting brackets clip in. Check brackets have safely engaged on the cabinetry before releasing range hood. Ensure power cable remains free and unobstructed during this process.

②



Unclip filters to remove.

③



On one side of the perimeter plate, loosen the two screws shown, and slide perimeter plate out.

④



From below the rangehood, secure all four brackets using Phillips screwdriver. Tighten until flange is flush against cabinetry.

⑤



Refit perimeter plate and secure using the screws removed in step 3.

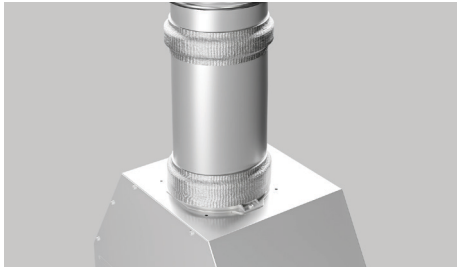
⑥



Ensure filters are oriented correctly before clipping back into place.

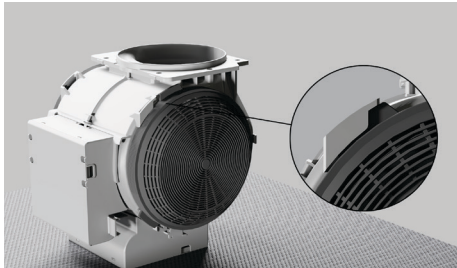
SECURE DUCTING

①



Attach ducting to adapter.
Secure using tape, cable ties or metal straps as required.

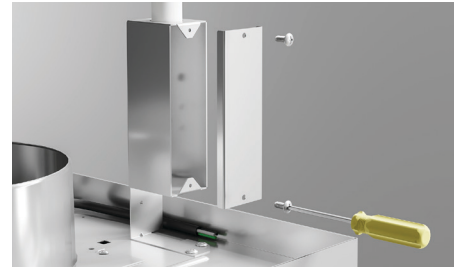
②



Recirculation only:
Install the carbon filters onto the blower.
Rotate the filter until secure.

CONNECT POWER

①



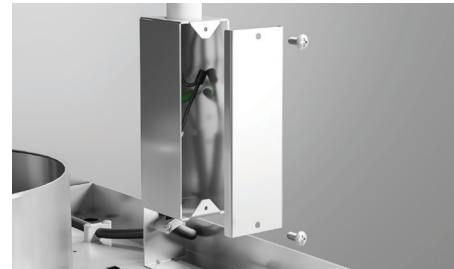
Remove the junction box cover by
unscrewing both screws as shown.

②



Remove the electrical knock-out. Install
a UL listed 1/2" (12.7mm) wiring conduit
and strain relief in the junction box.
Run three wires through the conduit from
the power supply to the junction box.

③



Connect the power supply wires to the
range hood wires using suitable UL listed
wire nuts:
Black to black.
White to white.
Green/yellow to green/yellow.
Replace the junction box cover and
secure.

AFTER POWER CONNECTION

1



Remove film from all surfaces of the range hood.

INSTALLER CHECKLIST

TO BE COMPLETED BY THE INSTALLER

- All packaging has been removed.
- Range hood is correctly installed.
- All connections are secure.
- The ducting is not bent or crushed in any areas .
- Range hood suction has been checked.
- External vent is sealed appropriately.
- All local regulations have been met. If required, the maximum flow can be reduced to 300CFM to meet local codes and regulations. Contact a Fisher & Paykel trained and supported service technician or Customer Care for more details.
- Operation has been tested (refer to user guide).
- No unusual noises present.

Complete and keep for safe reference:

Model _____

Serial no. _____

Purchase date _____

Purchaser _____

Dealer address _____

Installer's name _____

Installer's signature _____

Installation company _____

Installation date _____

FISHERPAYKEL.COM

© Fisher & Paykel Appliances 2024. All rights reserved.

The models shown in this guide may not be available in all markets
and are subject to change at any time.

The product specifications in this guide apply to the specific products and
models described at the date of issue. Under our policy of continuous product
improvement, these specifications may change at any time.

For current details about model and specification availability in your country,
please go to our website or contact your local Fisher & Paykel dealer.

106074A 01.24