

HMWB361WS

LOW-PROFILE WALL HOOD WITH BLOWER

(36-INCH WIDTH)

MASTERPIECE® SERIES



FEATURES & BENEFITS

- Masterpiece® Series wall hoods add distinct flair to your kitchen and crafted to complete the ultimate Thermador cooking system
- ★ - Noise Control Technology™ reduces noise while hood is in use
- ★ - Equipped with the Thermador Connected Experience by Home Connect™
 - Cooktop Hood Sync enables control through Freedom® Induction Cooktop
 - Beautiful illumination with multi-level, vivid LED lights

ACCESSORIES (OPTIONAL)

| | |
|--|----------|
| 16" Tall Duct Cover, 36" Wide | DCT3616W |
| 28" - 65" Tall Duct Cover, 36" Wide | DC36MTW |
| Built-In Remote Control Panel | |
| REMCPW - Ability to vertically install on cabinetry or wall to control hood in a convenient location | |

GENERAL PROPERTIES

Features

Cooktop Hood-Sync Enabled, Noise Control Technology™, Multi-Level LED Lights with Fading Transitions, Automatic Mode, Check Filter Reminder Light, Delay Shut-Off

| | |
|-------------------------------|--------------------------|
| Operating Mode | Ducted |
| Maximum CFM (blower) | 1000 CFM |
| CFM (HVI) | 850 HS / 300 WS |
| Sones (HVI) | 11.5 HS / 2 WS |
| Number of Speed Settings | 4-Stage |
| Motor Location | Integrated |
| Number Of Lights | 2 |
| Bulb Type | LED |
| Light Lumens | 100 – 150 |
| Light Color | 3500 – 4000 °K |
| Total Power Of The Lamps | 2.4 W |
| Damper Included | Yes |
| Grease Filter Material | Washable Stainless Steel |
| Grease Filter Type | Hybrid Mesh |
| Home Connect™ (Wi-Fi Enabled) | Yes |

TECHNICAL DETAILS

| | |
|-----------|------------------|
| Watts | 893 W |
| Current | 15 A |
| Volts | 120 V |
| Frequency | 60 HZ |
| Plug Type | Fixed Connection |

DIMENSIONS & WEIGHT

| | |
|---|---|
| Overall Appliance Dimensions (Width Of Canopy Included) (HxWxD) | 11" x 35 ¹⁵ / ₁₆ " x 23 ¹ / ₈ " |
| Minimum Distance Above Gas / Electric Cooking Surface | 30" / 30" |
| Diameter of Air Duct Top | 10" |
| Net Weight | 58 lbs |

WARRANTY

| | |
|----------------------------------|--------|
| Limited Warranty Parts And Labor | 2 Year |
|----------------------------------|--------|

HS=High Speed; WS=Working Speed

HMWB361WS

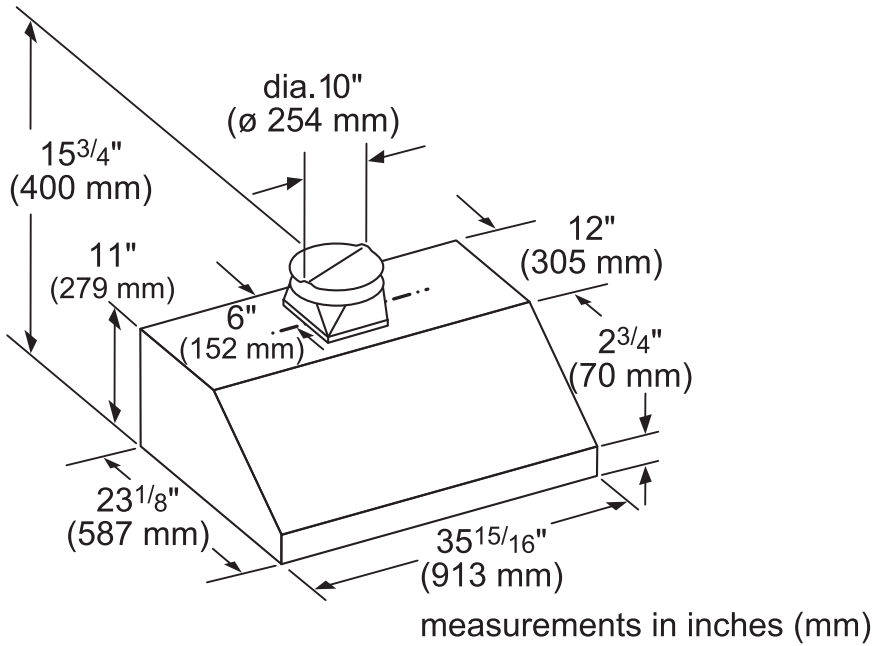
LOW-PROFILE WALL HOOD WITH BLOWER

(36-INCH WIDTH)

MASTERPIECE® SERIES



HOOD DIMENSIONS

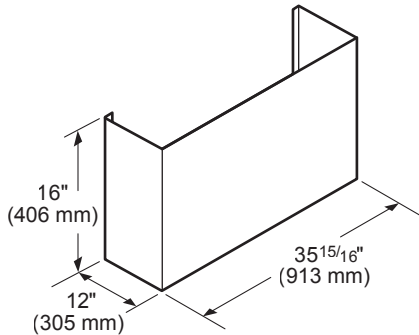
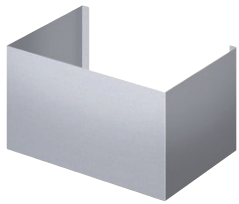


OPTIONAL ACCESSORIES

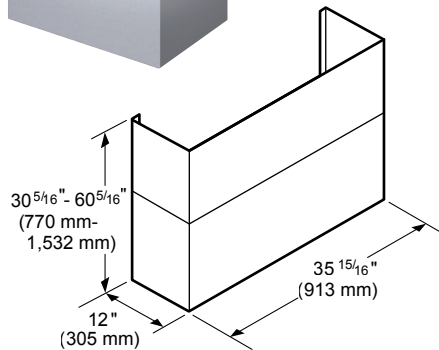
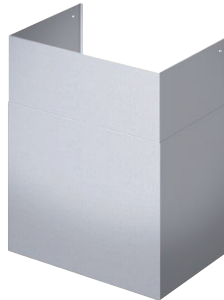
36" WIDE DUCT COVER

Stainless steel duct cover for wall hood applications

DCT3616W 16" TALL



DC36MTW 28"-65" TALL



REMOTE CONTROL PANEL REMCPW



Convenience at your fingertips: The remote control accessory offers the freedom to extend your hood controls to a more reachable spot

These warranties give you specific legal rights and you may have other rights that vary from state to state. Limited warranty from date of purchase. For complete warranty details, refer to your Use & Care manual, or ask your dealer.

Specifications are for planning purposes only. Refer to installation instructions and consult your countertop supplier prior to making counter opening. Consult with a heating and ventilation engineer for your specific ventilation requirements. For the most detailed information, refer to installation instructions accompanying product or write to Thermador indicating the model number. Specifications are correct at time of printing. Thermador reserves the right to change product specifications or design without notice. Some models are certified for use in Canada. Thermador is not responsible for products that are transported from the U.S. for use in Canada.