

HMIB42WS

42-INCH LOW PROFILE ISLAND HOOD WITH BLOWER

MASTERPIECE® SERIES



FEATURES & BENEFITS

- ★ - Noise Control Deluxe™ drastically reduces noise while hood is in use
- ★ - Equipped with the Thermador Connected Experience by Home Connect®
 - Cooktop Hood Sync enables control through Freedom® Induction Cooktop
 - Efficient perimeter grease-capturing filters
 - Beautiful illumination with multi-level, vivid LED lights

ACCESSORIES (OPTIONAL)

Stainless Steel Island Hood Extension

CHXTHMIB - For up to 12-foot ceiling applications. Extension replaces upper section of standard chimney extension.

Recirculation Kit

RECHMIB - For HMIBxxWS Masterpiece® Island Hoods only

Replacement Charcoal Filter

CHFHMCD - For use with recirculation kit RECHMIB



GENERAL PROPERTIES

Features

Cooktop Hood-Sync Enabled, Noise Control Deluxe™, Efficient Perimeter Filters, Multi-Level LED Lights with Fading Transitions, Automatic Mode, Check Filter Reminder Light, Delay Shut-Off

Operating Mode	Convertible: Ducted / Recirculating
Maximum CFM (blower)	438 HS / 170 WS
Number of Speed Settings	4-Stage
Motor Location	Integrated Motor in Hood Chimney
Number of Lights	4
Bulb Type	LED
Light Lumens	100 – 150
Light Color	3500 – 4000 K
Total Power of the Lamps	4.8 W
Damper Included	Yes
Grease Filter Material	Aluminum
Grease Filter Type	Perimetric
Home Connect® (Wi-Fi Enabled)	Yes

TECHNICAL DETAILS

Watts	446 W
Current	15 A
Volts	120 V
Frequency	60 Hz
Plug Type	Fixed Connection

DIMENSIONS & WEIGHT

Overall Appliance Dimensions (Width of Canopy Included) (HxWxD)	2 3/4" x 42" x 26 15/16"
Height of the Chimney	27 1/4" – 29 1/4"
Minimum Ceiling Height Required	Up to 9' Ceiling Height
Minimum Distance Above Gas / Electric Cooking Surface	30" / 30"
Diameter of Air Duct Top	8"
Net Weight	111 lbs

WARRANTY

Limited Warranty Parts and Labor	2 Year
----------------------------------	--------

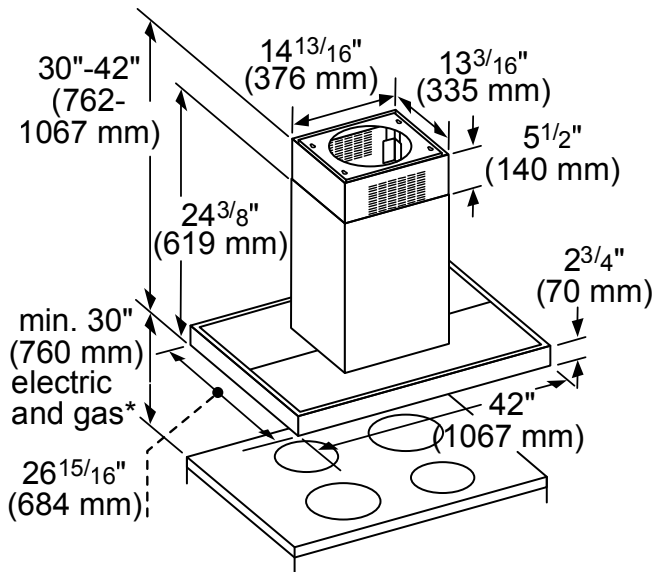
HMIB42WS

42-INCH LOW PROFILE ISLAND HOOD WITH BLOWER

MASTERPIECE® SERIES



HOOD DIMENSIONS



* from the grate surface

measurements in inches (mm)

OPTIONAL ACCESSORIES

STAINLESS STEEL ISLAND HOOD EXTENSION CHXTHMIB

Telescoping design for extension up to 12' ceiling heights

RECIRCULATION KIT

RECHMIB

Ideal for applications where ducting out is not possible

REPLACEMENT CHARCOAL FILTERS

CHFHMCD

For Use With Recirculation Kit RECHMIB

HVI PERFORMANCE VALUES

Exhaust	Pressure (in. H ₂ O)		Power (W)		CFM		Sones	
	High Speed	Working Speed	High Speed	Working Speed	High Speed	Working Speed	High Speed	Working Speed
Vertical	0.1	0.03	450	180	480	170	8.5	1.0
Vertical	0.25	—	—	—	470	—	—	—

These warranties give you specific legal rights and you may have other rights that vary from state to state. Limited warranty from date of delivery. For complete warranty details, refer to your Use & Care manual, or ask your dealer.

Specifications are for planning purposes only. Refer to installation instructions and consult your countertop supplier prior to making counter opening. Consult with a heating and ventilation engineer for your specific ventilation requirements. For the most detailed information, refer to installation instructions accompanying product or write to Thermador indicating the model number. Specifications are correct at time of printing. Thermador reserves the right to change product specifications or design without notice. Some models are certified for use in Canada. Thermador is not responsible for products that are transported from the U.S. for use in Canada.