



**Register** your  
appliance and join  
the Bosch  
family of perks:  
[bosch-home.com/us/  
mybosch](https://bosch-home.com/us/mybosch)



# Microwave and Trim Kit

HMB30155UC HMT5055 HMT5755

**[en-us]** Use and Care Manual  
**[fr-ca]** Manuel d'utilisation

Microwave and Trim Kit  
Micro-ondes avec kit the garniture

2  
31

## Table of contents

<b>1 Microwave energy</b> .....	<b>3</b>	10.6 Frozen entrée.....	19
<b>2 IMPORTANT SAFETY INSTRUCTIONS</b> .....	<b>4</b>	10.7 Pizza.....	19
2.1 Safety definitions.....	4	<b>11 Automatic programs</b> .....	<b>20</b>
2.2 Microwave safety.....	4	11.1 Beverage.....	20
2.3 Child safety door lock.....	4	11.2 Popcorn.....	20
2.4 Safe use.....	4	11.3 Defrost.....	20
2.5 GROUNDING INSTRUCTIONS.....	5	11.4 Keep warm.....	21
2.6 TV / Radio interference.....	6	11.5 Soften/melt.....	21
2.7 Child safety.....	6	<b>12 Cooking charts</b> .....	<b>23</b>
2.8 Cleaning safety.....	6	12.1 Cooking meat in your microwave.....	23
2.9 Cooking safety.....	6	12.2 Cooking poultry in your microwave.....	23
2.10 In case of fire.....	7	12.3 Stand time.....	24
2.11 Liquids.....	7	12.4 Cooking eggs in your microwave.....	24
2.12 Cooking items.....	7	12.5 Cooking vegetables in your microwave.....	24
2.13 Cooking utensils.....	8	12.6 Cooking seafood in your microwave.....	24
2.14 Glass tray / Turntable ring.....	9	<b>13 Cleaning and maintenance</b> .....	<b>25</b>
2.15 Pacemakers.....	9	13.1 Cleaning agents.....	25
2.16 State of California Proposition 65 Warnings.....	9	<b>14 Troubleshooting</b> .....	<b>27</b>
<b>3 Preventing material damage</b> .....	<b>10</b>	<b>15 Disposal</b> .....	<b>28</b>
3.1 General.....	10	15.1 Disposal of your old appliance.....	28
<b>4 Environmental protection and energy-saving</b> .....	<b>10</b>	<b>16 Customer Service</b> .....	<b>28</b>
4.1 Disposal of packaging.....	10	16.1 Model number (E-Nr.) and production number (FD).....	28
<b>5 Familiarizing yourself with your appliance</b> .....	<b>10</b>	16.2 Rating plate location.....	28
5.1 Appliance.....	10	<b>17 STATEMENT OF LIMITED PRODUCT WARRANTY</b> .....	<b>28</b>
5.2 Control panel.....	11	17.1 What this warranty covers & Who it applies to.....	28
<b>6 Accessories</b> .....	<b>13</b>	17.2 How long the warranty lasts.....	29
6.1 Fitting the glass tray turntable.....	13	17.3 Repair/replace as your exclusive remedy.....	29
<b>7 Before using for the first time</b> .....	<b>13</b>	17.4 Out of warranty product.....	29
7.1 Cleaning the appliance before using it for the first time.....	13	17.5 Warranty exclusions.....	29
7.2 Applying the program label.....	13	17.6 Obtaining warranty service.....	30
7.3 Setting the time of day.....	13	17.7 Product information.....	30
<b>8 Familiarizing yourself with the child safety door lock</b> .....	<b>13</b>		
<b>9 Basic Operation</b> .....	<b>14</b>		
9.1 Setting the microwave.....	14		
9.2 Setting the kitchen timer.....	15		
9.3 Panel lock.....	16		
9.4 Favorites.....	16		
9.5 Basic settings.....	16		
9.6 Microwave utensil guide.....	17		
<b>10 Sensor cooking</b> .....	<b>17</b>		
10.1 Setting sensor cooking.....	18		
10.2 Potato.....	18		
10.3 Frozen vegetables.....	18		
10.4 Fresh vegetables.....	18		
10.5 Reheat.....	19		

## 1 Microwave energy

### **⚠ PRECAUTIONS TO AVOID POSSIBLE EXPOSURE TO EXCESSIVE MICROWAVE ENERGY**

- (1) Do not attempt to operate this appliance with the door open, since open-door operation can result in harmful exposure to microwave energy. It is important not to defeat or tamper with the safety interlocks.
- (2) Do not place any object between the appliance front face and the door or allow soil or cleaner residue to accumulate on sealing surfaces.
- (3) Do not operate the appliance if it is damaged. It is particularly important that the appliance door close properly and that there is no damage to the:
  - door (bent)
  - hinges and latches (broken or loosened)
  - door seals and sealing surfaces.
- (4) The appliance should not be adjusted or repaired by anyone except authorized service personnel. Improper installation, service or maintenance can cause injury or property damage. Refer to this manual for guidance.  
Refer all servicing to a factory authorized service provider.



# IMPORTANT SAFETY INSTRUCTIONS

READ ALL INSTRUCTIONS BEFORE USING THE APPLIANCE

**WARNING** - Read all instructions carefully before use. These precautions will reduce the risk of burns, electric shock, fire, injury to persons, or exposure to excessive microwave energy. When using kitchen appliances, basic safety precautions must be followed including those in the following pages.

## 2.1 Safety definitions

Here you can find explanations of the safety signal words used in this manual.

### **WARNING**

This indicates that death or serious injuries may occur as a result of non-observance of this warning.

### **CAUTION**

This indicates that minor or moderate injuries may occur as a result of non-observance of this warning.

### **NOTICE:**

This indicates that damage to the appliance or property may occur as a result of non-compliance with this advisory.

**Note:** This alerts you to important information and/or tips.

## 2.2 Microwave safety

### **WARNING**

**When using electrical appliances basic safety precautions should be followed, including the following:**

- ▶ Read all instructions before using the appliance.
- ▶ Read and follow the specific PRECAUTIONS TO AVOID POSSIBLE EXPOSURE TO EXCESSIVE MICROWAVE ENERGY found on → *Page 3*
- ▶ This appliance must be grounded. Connect only to properly grounded outlet. See → *"GROUNDING INSTRUCTIONS", Page 5.*
- ▶ Install or locate this appliance only in accordance with the provided installation instructions.
- ▶ Some products such as whole eggs and sealed containers – for example, closed glass jars – are able to explode and should not be heated in this appliance.
- ▶ Use this appliance only for its intended use as described in the manual. Do not use corrosive chemicals or vapors in this appliance. This type of appliance is specifically designed to heat, cook, or dry food. It is not designed for industrial or laboratory use.

- ▶ **HOT CONTENTS CAN CAUSE SEVERE BURNS. DO NOT ALLOW CHILDREN TO USE THE MICROWAVE.** Use caution when removing hot items.
- ▶ Do not operate this appliance if it has a damaged cord or plug, if it is not working properly, or if it has been damaged or dropped.
- ▶ This appliance should be serviced only by an authorized service provider. Contact nearest authorized service provider for examination, repair, or adjustment.
- ▶ Do not cover or block any vents or openings on the appliance.
- ▶ Do not store this appliance outdoors. Do not use this product near water – for example, near a kitchen sink, in a wet basement, near a swimming pool, or similar locations.
- ▶ Do not immerse cord or plug in water.
- ▶ Keep cord away from heated surface.
- ▶ Do not let cord hang over edge of table or counter.
- ▶ When cleaning surfaces of door and appliance that come together on closing the door, use only mild, non-abrasive soaps, or detergents applied with a sponge or soft cloth. See door surface cleaning instructions.  
→ *"Cleaning and maintenance", Page 25*

## 2.3 Child safety door lock

This appliance is equipped with a child safety door lock feature.

This feature prevents children from opening the appliance during operation.

### **WARNING**

To prevent risk of injury, **DO NOT** disable the child safety door lock, if children or inexperienced persons have access to the appliance.

## 2.4 Safe use

### **WARNING**

If the information in this manual is not followed exactly, fire or shock may result causing property damage or personal injury.

This appliance is intended for normal family household use only. It is not approved for outdoor use. See the Statement of Limited Product Warranty. If you have any questions, contact the manufacturer.



# IMPORTANT SAFETY INSTRUCTIONS

READ ALL INSTRUCTIONS BEFORE USING THE APPLIANCE

## WARNING

Before installing the appliance and trim kit, turn power OFF at the service panel.

- ▶ Lock the service panel to prevent the power from being turned ON accidentally.

## WARNING

This appliance may be used as a countertop, or as a built-in unit.

- ▶ For built-in installation, the appliance must be mounted at a minimum height of 36 $\frac{1}{16}$ " (916 mm).
- ▶ For built-in installation, the Bosch appliance model **HMB30155UC** must be installed with the dedicated Bosch trim kit **HMT5055** or **HMT5755**, according to the Installation Instructions.

## WARNING

Do not operate the appliance when room humidity is excessive.

## WARNING

To reduce the risk of fire in the appliance cavity

- ▶ Do not overcook food. Carefully attend appliance when paper, plastic, or other combustible materials are placed inside the appliance to facilitate cooking.
- ▶ Remove wire twist-ties from paper or plastic bags before placing the bag in the appliance.
- ▶ If material inside of the appliance should ignite, the appliance door should be kept closed, the appliance turned off, the power cord disconnected, or the power shut off at the fuse or circuit breaker panel.
- ▶ Do not use the appliance cavity for storage purposes. Do not leave paper products, cooking utensils, or food in the appliance cavity when not in use.

## WARNING

The light emitted by LED lights is very dazzling, and can damage the eyes.

- ▶ Do not look directly into the switched-on LED lights for longer than 100 seconds.
- ▶ Do not look directly into the switched-on LED lights using optical aids such as binoculars or a magnifying glass.

## WARNING

While cooking food items, small amounts of certain by-products, such as particulate matter / soot, can be released. To minimize exposure to these substances:

- ▶ Always ensure proper ventilation by using an appropriate ventilation fan or hood vented to the outside and/or an open window.
- ▶ Always operate the unit according to the instructions in this manual.

## WARNING

Overheated materials can cause fire or burns and may produce potentially harmful smoke or fumes.

- ▶ To prevent overheating, turn ventilation hood ON when heating grease, fats or frying using medium to high heat settings.
- ▶ Avoid heating empty pots and pans.
- ▶ Do not allow pans to boil dry.
- ▶ Do not allow aluminum foil, plastic, paper, or cloth to come in contact with a hot surface element, burner, or grate.

## 2.5 GROUNDING INSTRUCTIONS

Follow these safety instructions when connecting your appliance to the power supply.

## WARNING

Improper grounding can result in a risk of electric shock. This appliance must be grounded. Grounding reduces risk of electric shock by providing a safe pathway for electric current in the event of a short circuit.

- ▶ This appliance is equipped with a cord having a grounding wire with a grounding plug, the plug must be plugged into an outlet that is properly installed and grounded. See Installation Instructions.
- ▶ Consult a qualified electrician if grounding instructions are not completely understood, or if doubt exists as to whether the appliance is properly grounded.
- ▶ Do not use an extension cord. If the product power cord is too short, have a qualified electrician install a three-slot receptacle near the appliance. This appliance should be plugged into a separate 60 Hertz circuit with the electrical rating as shown in specifications table. Refer to the section on electrical requirements in the Installation Instructions.
- ▶ When the appliance is on a circuit with other equipment, an increase in cooking times may be required and fuses can be blown.

**SAVE THESE INSTRUCTIONS.**



# IMPORTANT SAFETY INSTRUCTIONS

## READ ALL INSTRUCTIONS BEFORE USING THE APPLIANCE

---

- ▶ This appliance operates on standard household current, 120 V.

### 2.6 TV / Radio interference

Avoid TV and radio interference by following these instructions.

This appliance generates and uses ISM frequency energy. If not installed and used properly, in strict accordance with the manufacturer's instructions, it may cause interference to radio and television reception. It has been type tested and found to comply with limits for ISM equipment pursuant to part 18 of FCC rules, which are designed to provide reasonable protection against such interference in a residential installation. However, there is no guarantee that interference will not occur in a particular installation. Turn the appliance on and off to determine if it causes interference.

Try the following to correct the interference:

- Clean door and sealing surface of the appliance.
- Reorient the receiving antenna of the radio or television.
- Relocate the appliance with respect to the receiver.
- Move the appliance away from the receiver.
- Plug the appliance into a different outlet so that the appliance and the receiver are on different branch circuits.
- The manufacturer is not responsible for any radio or TV interference caused by unauthorized modification to this appliance. It is the responsibility of the user to correct such interference.

### 2.7 Child safety

Do not allow children to use this appliance. Failure to do so can result in burns or serious injury to children. Children and pets should not be left alone or unattended in the area where the appliance is in use. They should never be allowed to play in its vicinity, whether or not the appliance is in use.

#### WARNING

Do not allow anyone to climb, stand, lean, sit, or hang on any part of an appliance, especially a door, warming drawer, or storage drawer.

- ▶ This can damage the appliance, and the unit may tip over, potentially causing severe injury.

### 2.8 Cleaning safety

Follow these safety instructions when cleaning your appliance.

#### WARNING

Be sure the entire appliance has cooled and grease has solidified before attempting to clean any part of the appliance.

#### CAUTION

Grease left on filters can re-melt and move into the vent. Clean ventilating fans frequently. Grease should not be allowed to accumulate on fan, filters, or exhaust ducts.

- Use care when cleaning the exhaust filters. Corrosive cleaning agents, such as lye-based oven cleaners may damage the filter.
  - "Cleaning and maintenance", Page 25
- When cleaning surfaces of door and appliance cavity that come together on closing the door, use only mild, non-abrasive soaps, or detergents applied with a sponge or soft cloth. See door surface cleaning instructions.
  - "Cleaning and maintenance", Page 25
- Clean turntable roller rest and appliance cavity bottom frequently to prevent excessive noise.
- Allow the glass tray to cool before cleaning or placing in water.

### 2.9 Cooking safety

#### CAUTION

**To avoid personal injury or property damage, observe the following:**

- ▶ Do not leave the appliance unattended while in use.
- ▶ Do not store flammable material next to or in the appliance.
- ▶ Do not operate the appliance while empty. This could damage the appliance and result in a risk of fire.
- ▶ Do not store or use corrosive chemicals, vapors, flammables or nonfood products in or near this appliance. It is specifically designed for use when heating or cooking food. The use of corrosive chemicals in heating or cleaning will damage the appliance and could result in injury.
- ▶ Do not dry clothes, newspapers or other materials in the appliance. Do not use newspapers or paper bags for cooking. Fire could result.



# IMPORTANT SAFETY INSTRUCTIONS

READ ALL INSTRUCTIONS BEFORE USING THE APPLIANCE

- ▶ Do not use recycled paper products unless labeled safe for microwave use. They may contain impurities which may cause sparks and result in fires when used.
- ▶ Always use potholders when removing items from the appliance. The cooking container and the glass tray can be hot even if the appliance is cool.
- ▶ Whenever possible, do not operate the ventilation system during a cooktop fire. However, do not reach through fire to turn it off.
- ▶ Do not mount over a sink.
- ▶ Do not store anything directly on top of the appliance surface when the appliance is in operation.
- ▶ Oversized food or oversized metal utensils should not be inserted in a microwave as they may create a fire or risk of electric shock.
- ▶ Do not clean with metal scouring pads. Pieces can break off the pad and touch electrical parts involving a risk of electric shock.
- ▶ Do not use paper products when appliance is operated in the toaster mode.
- ▶ Do not store any materials, other than manufacturer's recommended accessories, in this appliance when not in use.
- ▶ Do not cover racks or any other part of the appliance with metal foil. This will cause overheating of the appliance.

## 2.10 In case of fire

If materials inside an appliance should ignite:

- Keep the appliance door closed.
- Turn the appliance off.
- Unplug the appliance or shut off at fuse or circuit breaker.

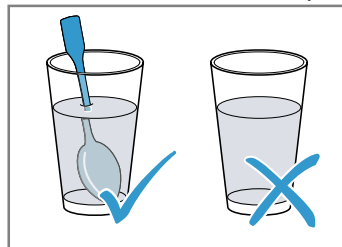
## 2.11 Liquids

### WARNING

Liquids such as water, coffee, or tea are able to be overheated beyond the boiling point without appearing to be boiling. Visible bubbling or boiling when the container is removed from the microwave is not always present. THIS COULD RESULT IN VERY HOT LIQUID

SUDDENLY BOILING OVER WHEN THE CONTAINER IS DISTURBED OR A SPOON OR OTHER UTENSIL IS INSERTED INTO THE LIQUID.

- ▶ When heating liquids, always place a glass rod/spoon in the container. This will prevent delayed boiling.



### CAUTION

Metal e.g. a spoon in a glass must be kept at least 1" (25 mm) from the appliance walls and the inside of the door. Sparks could irreparably damage the glass on the inside of the door.

Follow these recommendations when cooking with your microwave:

- Take ready meals out of the packaging. They will heat up more quickly and evenly in microwaveable ovenware. The different components of the meal may not require the same amount of time to heat up.
- Always cover the food. If you do not have a suitable cover for your container, use a plate or special microwave foil.
- Stir or turn the food several times during cooking. Check the temperature.
- After heating, allow the food to stand for a further 2 to 5 minutes so that it can achieve an even temperature.
- Always use an oven cloth or oven gloves when removing plates from the appliance.

## 2.12 Cooking items

Follow these safety instructions when cooking food in your microwave to avoid injury.

- Eggs:
  - Do not cook or reheat whole eggs, with or without shell. Steam buildup in whole eggs may cause them to explode, and possibly damage the appliance or cause injury.
  - Reheating sliced hard-boiled eggs and cooking scrambled eggs is safe.
- Popcorn:

**SAVE THESE INSTRUCTIONS.**



# IMPORTANT SAFETY INSTRUCTIONS

## READ ALL INSTRUCTIONS BEFORE USING THE APPLIANCE

- Use only popcorn in packages designed and labeled for microwave use, or pop it in a microwave corn popper.
- Follow popcorn manufacturers' directions and use a brand suitable for the wattage of your appliance.
- Do not continue to heat after popping has stopped. Popcorn will scorch or burn.
- Do not leave the appliance unattended.
- Proper cooking depends on time set and weight of food. If you use a smaller portion than recommended and cook at the time for the recommended portion, fire could result.

- Browning dishes:
  - Microwave browning dishes or grills are designed for microwave cooking only. Preheating times vary depending on the size of the browning dish and food being cooked.
  - Always follow instructions provided by the browning dish or grill manufacturer.
  - Do not preheat browning dishes more than 6 minutes.
- Oven roasting bags:
  - If an oven bag is used for microwave cooking, prepare according to package directions.
  - Do not use wire twist-ties to close bags, instead use nylon ties, cotton string or a strip cut from the open end of the bag. Make six ½" (12.7 mm) slits by closure.
  - Place the oven cooking bag in a dish slightly larger than the food being cooked.

### CAUTION

When using pre-packaged microwave popcorn, check package weight before using the popcorn function.

- ▶ Set the appliance for the weight of the popcorn package. If these instructions are not followed, popcorn may not pop adequately or may ignite and cause fire.
- Foods with non-porous skins:
 

Potatoes, tomatoes, sweet potatoes, apples, whole squash and sausages are examples of foods with nonporous skins. These types of foods must be pierced before cooking to prevent them from exploding.
- Baby food / Baby formula:
 

Do not heat baby bottles or food in a microwave. The glass jar or the surface of food may appear warm while the interior can burn the infant's mouth and esophagus.
- Deep fat frying:
  - Do not deep fat fry in the appliance. Oil can be heated beyond ideal temperatures very quickly in a microwave. Temperatures can climb high enough for the cooking oils to reach their respective flash points and burst into flames. The heated oil may bubble and spatter causing possible damage to the appliance and perhaps result in burns.
  - Additionally, microwave-safe utensils may not be able to withstand the temperature of the hot oil, and could result in the utensil shattering, if it contains a slight imperfection, scratch or chip.
- Home Canning / Drying foods / Small quantities of foods:
  - Do not use the microwave for home canning or heating of any closed jar. Pressure will build up and the jar may explode. In addition, the appliance cannot maintain the food at the proper canning temperature. Improperly canned food may spoil and be dangerous to consume. Small quantities of food or foods with low moisture content can dry out, burn or catch on fire. Do not dry meats, herbs, fruits or vegetables in your appliance.

## 2.13 Cooking utensils

### CAUTION

Incorrect use of cooking utensils can result in injuries or property damage.

- ▶ See also Microwave Utensil Guide → *Page 17*.
- ▶ Cooking utensils, the glass tray and racks get hot during microwaving. Always use potholders when removing items from the appliance. Allow the glass tray and the metal racks (if used) to cool before handling.
- ▶ Do not use metal utensils, or dishes with metallic trim in the appliance.
- ▶ When using aluminum foil in the appliance, allow at least 1" (25 mm) of space between foil and interior appliance walls or door.
- ▶ The glass tray and the metal racks (if used) will get hot during cooking. The cooking container and the glass tray can be hot even if the appliance is cool.
- ▶ Never use paper, plastic, or other combustible materials that are not intended for cooking.
- ▶ When cooking with paper, plastic, or other combustible materials, follow manufacturer's recommendations on product use.





# IMPORTANT SAFETY INSTRUCTIONS

READ ALL INSTRUCTIONS BEFORE USING THE APPLIANCE

- ▶ Do not use paper towels which contain nylon or synthetic fibers. Heated synthetics could melt and cause paper to ignite.
- ▶ Do not heat sealed containers or plastic bags in the appliance. Food or liquid could expand quickly and cause container or bag to break. Pierce or open container or bag before cooking.
- ▶ Do not use regular cooking thermometers in the appliance. Most cooking thermometers contain mercury and may cause electrical arc, malfunction, or damage to the appliance.

## 2.14 Glass tray / Turntable ring

- Do not operate the appliance without the turntable roller rest and the glass tray in place.
- Improper cooking or damage to the appliance could result. Verify that the glass tray is properly positioned and turning when the appliance is in use. **Note:** The glass tray can turn in either direction.
- Only use the glass tray designed for this appliance. Do not substitute any other tray.
- Allow the glass tray to cool before cleaning or placing in water.
- Do not place food directly on the glass tray. Always place food in a microwave safe dish.
- Always replace the turntable ring and the glass tray in their proper positions.
- The turntable ring must always be used for cooking along with the glass tray.

## 2.15 Pacemakers

### CAUTION

To avoid pacemaker malfunction, consult physician or pacemaker manufacturer about effects of microwave energy on pacemaker.

## 2.16 State of California Proposition 65 Warnings

This product may contain a chemical known to the State of California, which can cause cancer or reproductive harm. Therefore, the packaging of your product may bear the following label as required by California:

**STATE OF CALIFORNIA PROPOSITION 65 WARNING:**

 **WARNING**

Cancer and Reproductive Harm - [www.P65Warnings.ca.gov](http://www.P65Warnings.ca.gov)

**SAVE THESE INSTRUCTIONS.**

## 3 Preventing material damage

### 3.1 General

Follow these instructions when using the appliance.

#### NOTICE:

Metal, such as a spoon in a glass, must be kept at least 1" (25 mm) from the appliance cavity walls and the inside of the door.

- ▶ Sparks could irreparably damage the glass on the inside of the door.

When the appliance cavity is hot, any water inside it will create steam. The change in temperature may cause damage.

- ▶ Never pour water into the appliance cavity when it is still hot.
- ▶ Never place cookware containing water on the appliance cavity bottom.

The prolonged presence of moisture in the appliance cavity leads to corrosion.

- ▶ Always wipe away condensation after cooking.
- ▶ Do not keep moist food in the appliance cavity for a long time with the door closed.
- ▶ Do not store food in the appliance cavity.

Fruit juice can leave stains in the appliance cavity.

- ▶ Always remove fruit juice immediately when safe to touch, and wipe up first with a damp and then a dry cloth.

Leaving the appliance to cool down with the door open will damage the front of neighboring kitchen units over time.

- ▶ Always allow the appliance cavity to cool down with the door closed after cooking at high temperatures. Only leave the appliance cavity to dry with the door open if a lot of moisture was produced during operation.

If the seal is very dirty, the appliance door will not close properly when the appliance is in operation. This may damage the front of adjacent kitchen units.

- ▶ Keep the seal clean at all times.
- ▶ Never operate the appliance if the seal is damaged or missing.

Sitting or placing objects on the appliance door may damage it.

- ▶ Do not place or hang objects on the appliance door.
- ▶ Do not place cookware or accessories on the appliance door.

With certain models, accessories may scratch the door glass when closing the appliance door.

- ▶ Always push accessories fully into the appliance cavity. Carrying the appliance by the door handle could break it. The door handle cannot support the weight of the appliance.

Operating the microwave without food in the appliance cavity may lead to overloading.

- ▶ Never run the microwave unless there is food in the appliance cavity. An exception to this rule is a short overware test.

→ "Microwave utensil guide", Page 17

Always set the microwave power as recommended for the food. High power settings can overheat foods very quickly. Do not overload the turntable, or it may jump.

## 4 Environmental protection and energy-saving

### 4.1 Disposal of packaging

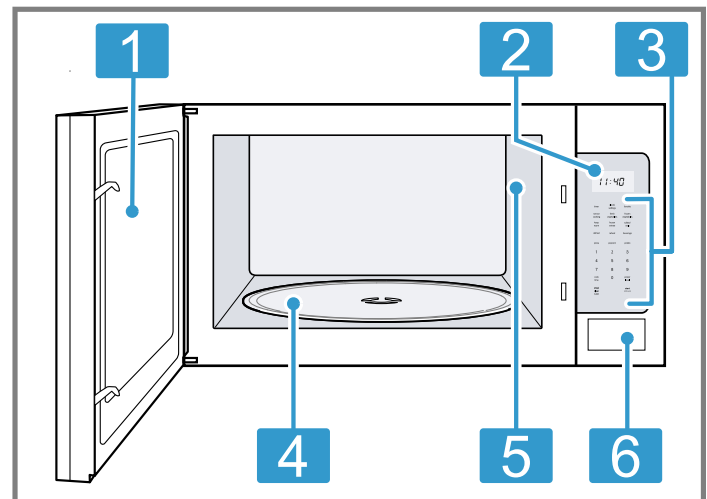
The packaging materials are environmentally compatible and can be recycled.

- ▶ Sort the individual components by type and dispose of them separately.

## 5 Familiarizing yourself with your appliance

### 5.1 Appliance

Here you can find an overview of the parts of your appliance.



- |   |                               |
|---|-------------------------------|
| 1 | Appliance door                |
| 2 | Display                       |
| 3 | Control panel with touch keys |
| 4 | Turntable                     |
| 5 | Appliance cavity light (LED)  |
| 6 | Door opener button            |

### Cooling fan

The cooling fan runs during all cooking modes.

The fan can be heard when it is running, and warm air may be felt as it is released from the appliance vent. The fan may also run after the appliance is off.

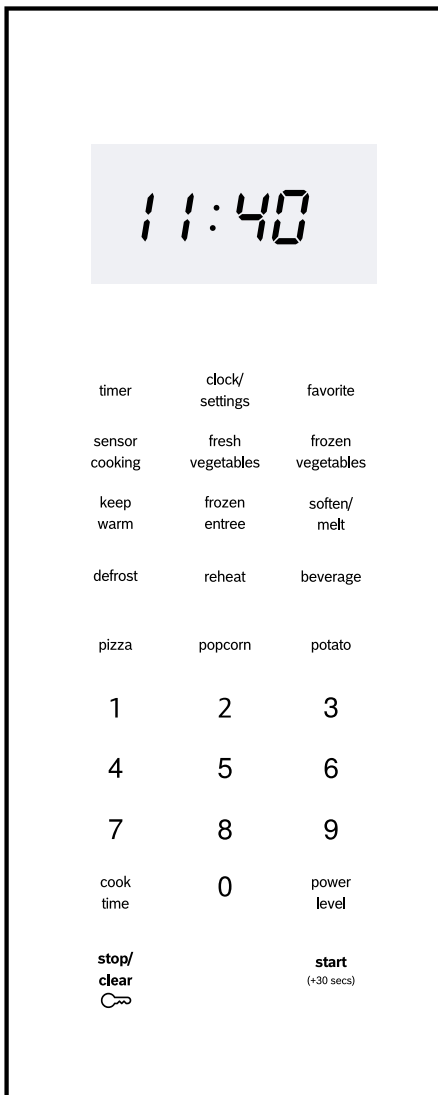
### Appliance cavity light (LED)

The appliance cavity light turns off to save energy after 10 minutes with the door open.

To turn the light back on, close the door and open it again.

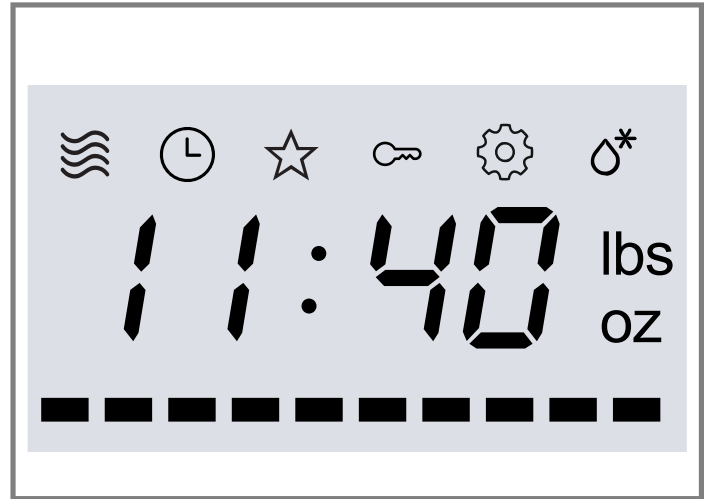
## 5.2 Control panel






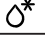
You can use the control panel to configure all functions of your appliance and to obtain information about the operating status.



## Display

The display shows active settings and functions. Blinking display elements indicate that an input is required.



Symbol	Function
	Microwave
	Kitchen timer/ Clock
	Favorite
	Panel lock/ Door lock
	Basic settings
	Defrost
.....	Status bar
00:00	Numeric display for time, temperature or weight, depending on the unit displayed next to it
lbs/oz	Numeric display shows weight in Pounds/Ounces

## Touch keys

Touch keys are touch sensitive areas. Activate a function by briefly touching the corresponding touch key. When you touch a touch key a short confirmation beep sounds. A long beep means that you have made an invalid input.

Button	Function
0 - 9	Use the number keys to enter customized values
start (+30 secs)	Confirm input, start operation
stop/clear	<ul style="list-style-type: none"> <li>■ Clear entered value, turn appliance off</li> <li>■ Open door during operation</li> </ul>
power level	Set power level for microwave operation
start (+30 secs)	Add 30 seconds to microwave timer
timer	Set a kitchen timer

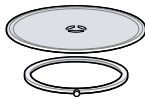
<b>Button</b>	<b>Function</b>
popcorn	Prepare popcorn, select popcorn packet size
beverage	Heat beverage, select beverage size
potato	Cook potatoes
keep warm	Set keep warm function
reheat	Reheat food with automatic settings
defrost	Defrost food with automatic settings
sensor cooking	Cook food with automatic settings
favorite	Set up to 3 microwave settings for quick access
clock/settings	Set time of day Enter basic settings menu
fresh vegetables	Cook fresh vegetables
frozen vegetables	Cook frozen vegetables
pizza	Cook different types of pizza
frozen entree	Cook different types of frozen entrees
soften/melt	Soften or melt different types of food

## 6 Accessories

Only use original accessories. These are designed especially for your appliance.

The accessories supplied may differ depending on the appliance model.

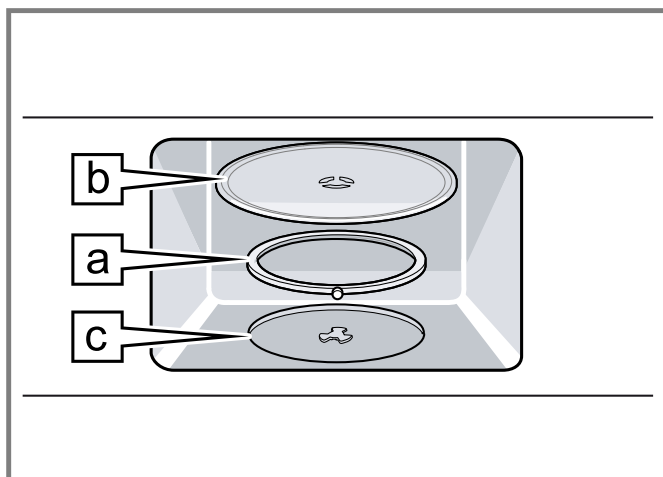
Accessories	Use
Glass tray turntable with roller ring	Do not operate the appliance without the turntable and roller ring in place. → "Fitting the glass tray turntable", Page 13



### 6.1 Fitting the glass tray turntable

Do not use the appliance if the turntable is not in place.

1. Place the roller ring **a** in the recess in the appliance cavity.
2. Let the turntable **b** slot in place in the drive **c** in the center of the appliance cavity bottom.



3. Ensure that the turntable is properly slotted into place and rotates freely when the microwave is operated.

## 7 Before using for the first time

Carry out these steps before using your appliance.

- The appliance must be properly installed by a qualified service provider before use.
- Read and understand all safety precautions and information in the Use and Care Manual prior to operating.

### 7.1 Cleaning the appliance before using it for the first time

**Note:** The appliance must be completely fitted and connected before using it for the first time.

1. Remove all packaging materials from inside and outside the appliance.
2. Before heating the appliance, wipe the surfaces in the appliance cavity with a clean, damp cloth and dry.
3. Clean the accessories using soapy water and a soft dish cloth.

**Note:** There may be a slight odor during first uses. This is normal and will disappear.

### 7.2 Applying the program label

- ▶ Apply the included program label in the desired language to the side of the appliance cavity. See the program label for instructions.

### 7.3 Setting the time of day

The clock can be set in 12-hour or 24-hour mode.

**Note:** You can change the clock format in the basic settings.

→ "Basic settings", Page 16

1. Touch **clock/settings** once.
  - ✓ **CLOCK** and **⌚** light up.
2. Touch **start**.
3. Enter the time of day using the number keys. The time fills in from right to left.
 

Example: To set the clock to 9:41 type in 0 9 4 1.
4. Touch **clock/settings** to confirm.
  - ✓ The time of day is displayed.

## 8 Familiarizing yourself with the child safety door lock

The appliance is equipped with a child safety door lock to prevent risk to children or inexperienced persons. The child safety door lock is active while the appliance is operating. To open the appliance door during operation you can temporarily unlock it and interrupt the operation.

1. Touch **stop/clear**.
  - ✓ The door is unlocked for 10 seconds.
  - ✓ The operation is interrupted.
2. Press the door opener button.
  - ✓ **door** is displayed.
3. To resume operation close the appliance door and touch **start (+30 secs)**.
  - ✓ The door is locked again. **🔒** is displayed.

**Notes**

- If no children or inexperienced persons are living in your household, you can disable the door lock feature in the basic settings.  
→ "Basic settings", Page 16
- If you press the door opener button during operation without unlocking the door first, operation will be paused. Touch **start (+30 secs)** to resume operation.

---

## 9 Basic Operation

### 9.1 Setting the microwave

**Requirement:** The appliance is turned off.

1. Touch **cook time**.
2. Enter the desired cooking time with the number keys. The timer display fills in from right to left.  
Example: To set a microwave cooking time of 5 minutes and 30 seconds, enter 5 3 0.
3. To start microwave operation with the default power level 10 touch **start (+30 secs)**.
4. To adjust the power level touch **power level**.
  - ✓ The default power level **PL 10** is blinking.
  - ✓ The segments of the status bar also indicate the power level.
5. Touch **power level** repeatedly or enter the desired power level using the number keys.
  - ✓ **PL** and the selected power level are blinking in the display.
6. Touch **start (+30 secs)** to start microwave operation.
  - ✓ **⏸** is blinking.
  - ✓ The cook time starts to count down.
  - ✓ When the cook time has run out, **End** is displayed. The appliance beeps twice.

7. Touch **stop/clear**.
  - ✓ The appliance turns off and the time of day is displayed.

### Adding cook time (+ 30 Seconds)

You can add cooking time while the microwave is running.

1. Touch **start (+30 secs)**.
  - ✓ 30 seconds are added to the cooking time.
2. Touching **start (+30 secs)** while the appliance is off starts microwave operation at power level 10 with 30 seconds cooking time.

### Changing the power level

You can change the microwave power level during operation.

1. Touch **power level**
  - ✓ The current power level is blinking.
2. Enter the desired power level using the number keys.
  - ✓ **PL** and the selected power level are blinking in the display.
3. Touch **start (+30 secs)** to resume microwave operation.

### Pausing operation

1. Touch **stop/clear** once.
  - ✓ The cook time is paused.
2. To resume operation touch **start**.

**Note:** Sensor cooking programs cannot be paused, they will be canceled when you touch **stop/clear** once.

### Canceling operation

- ▶ Touch **stop/clear** twice.
  - ✓ The active operating mode is canceled.
  - ✓ The appliance turns off and the time of day is displayed.
  - ✓ The cooling fan may run on for a while and then turn off automatically.

### Microwave power levels

Here you can find an overview of the different microwave power settings and when to use them.

Power level	Microwave output	Use for
10	100%	<ul style="list-style-type: none"> <li>■ Boiling water</li> <li>■ Cooking ground meat</li> <li>■ Cooking fresh fruit and vegetables</li> <li>■ Cooking fish and poultry</li> <li>■ Preheating browning dish</li> <li>■ Reheating beverages</li> <li>■ Cooking bacon slices</li> </ul>
9	90%	<ul style="list-style-type: none"> <li>■ Reheating meat slices quickly</li> <li>■ Saute onions, celery and green peppers</li> </ul>
8	80%	<ul style="list-style-type: none"> <li>■ All reheating</li> <li>■ Cooking scrambled eggs</li> </ul>

Power level	Microwave output	Use for
7	70%	<ul style="list-style-type: none"> <li>■ Cooking breads and cereal products</li> <li>■ Cooking cheese dishes</li> <li>■ Cooking muffins, brownies and cupcakes</li> <li>■ Cooking whole poultry</li> </ul>
6	60%	<ul style="list-style-type: none"> <li>■ Cooking pasta</li> </ul>
5	50%	<ul style="list-style-type: none"> <li>■ Cooking meat</li> <li>■ Cooking custard</li> <li>■ Cooking spare ribs, rib roast and sirloin roast</li> </ul>
4	40%	<ul style="list-style-type: none"> <li>■ Cooking less tender cuts of meat</li> <li>■ Reheating frozen packaged foods</li> <li>■ Melting chocolate</li> </ul>
3	30%	<ul style="list-style-type: none"> <li>■ Thawing meat, poultry and seafood</li> <li>■ Cooking small quantities of food</li> <li>■ Finish cooking casseroles, stews and some sauces</li> </ul>
2	20%	<ul style="list-style-type: none"> <li>■ Softening butter and cream cheese</li> </ul>
1	10%	<ul style="list-style-type: none"> <li>■ Softening ice cream</li> <li>■ Raise yeast dough</li> </ul>

### Suggestions for best results when cooking with microwaves


Follow these suggestions to help you achieve the best possible results from your microwave.

Storage temperature	Foods taken from the freezer or refrigerator take longer to cook.
Size	For even results: <ul style="list-style-type: none"> <li>■ Small pieces of food cook faster than large ones.</li> <li>■ Cook pieces similar in size and shape together.</li> <li>■ Reduce the power level when cooking large pieces of food.</li> </ul>
Natural moisture	Very moist foods cook more evenly because microwave energy heats water molecules very efficiently.
Stir foods during cooking	Stir foods, such as casseroles and vegetables, from the outside to the center to distribute the heat more evenly. This will allow the food to cook faster. Constant stirring is not necessary.
Turn food over	Turn over foods, such as pork chops, roasts or whole cauliflower, halfway through the cook time. This will help to expose all sides equally to microwave energy.
Where to place food on the turntable	Place delicate areas of food items, such as asparagus tips, toward the center of the turntable tray.
Arrange unevenly shaped foods	Arrange unevenly shaped foods, such as chicken pieces or salmon, with the thicker or meatier parts toward the outside of the turntable tray.

Let food stand	After removing the food from the microwave: <ul style="list-style-type: none"> <li>■ cover the food with foil or a casserole lid and let it stand to finish cooking. This will help the food finish cooking in the center and avoids overcooking the outer edges.</li> <li>■ The length of stand time depends on the density and surface area of the food items.</li> </ul>
Wrap foods	Wrap sandwiches and other food types containing pre-baked bread in paper towels or wax paper before you place them in the appliance. This helps to prevent the food items from drying out while heating.

## 9.2 Setting the kitchen timer

You can set a kitchen timer for up to 99 minutes and 59 seconds.

1. Touch **timer**.
  - ✓  lights up.
  - ✓ **00:00** is blinking.
2. Enter the desired time using the number keys.

The numbers fill in from right to left. To set the timer to 5 minutes and 30 seconds type "5 3 0".
3. Touch **start**.
  - ✓ The kitchen timer starts to count down.
  - ✓ When the kitchen timer has elapsed, **End** is displayed. The appliance beeps twice.
4. Touch **stop/clear**.
  - ✓ The time of day is displayed.

### Canceling the kitchen timer

- ▶ Touch **timer** or open the appliance door.

### 9.3 Panel lock

The panel lock feature is very useful when cleaning the control panel. The lock will prevent accidental programming when wiping the control panel clean.

**Requirement:** The appliance is turned off.

1. Activating the panel lock:
  - Touch and hold **stop/clear** for more than 3 seconds.
  - ☞ lights up in the display, 2 beeps sounds. The time of day is not displayed.
2. Deactivating the panel lock:
  - Touch and hold **stop/clear** for more than 3 seconds.
  - ☞ turns off.

### 9.4 Favorites

You can store up to 3 settings for microwave cooking for quick access.

#### Storing favorites

1. Touch **favorite**.
  - ✓ / and ☆ light up.
  - ✓ The first two bars of the status bar are blinking.
2. Touch **cook time**.
3. Enter the desired cook time with the number keys.
4. Touch **power level**.
5. Enter the desired power level with the number keys.
6. Touch **favorite**.
  - ✓ The favorite setting is saved.
7. To enter a second and third favorite setting, start by touching **favorite 2** or **3** times, then carry out the steps as described.

#### Using favorites

1. Touch **favorite**.
  - ✓ / and ☆ light up.
  - ✓ The first two bars of the status bar are blinking.
2. Touch **favorite** again to call up the second or third favorite setting.
3. Touch **start**.
  - ✓ The status bar shows the stored power level.
  - ✓ The stored cooking time starts to count down.
  - ✓ When the cooking time has run out the appliance is beeping.
4. Touch **stop/clear**
  - ✓ The appliance turns off and the time of day is displayed.

### 9.5 Basic settings

You can configure the basic settings for your appliance to meet your needs.

#### Basic settings overview

Setting	Display/Options
Time of day	<i>CLOC</i>

Setting	Display/Options
	Enter time of day with the number keys
Key press sounds	<i>Sc:</i> <ul style="list-style-type: none"> <li>▪ <i>on</i> - On</li> <li>▪ <i>oF</i> - Off</li> </ul>
Signal sound level	<i>Sc:</i> <ul style="list-style-type: none"> <li>▪ <i>L1</i> - lowest</li> <li>▪ <i>L2</i></li> <li>▪ <i>L3</i></li> <li>▪ <i>L4</i></li> <li>▪ <i>L5</i> - highest</li> </ul>
Clock format	Select 12 or 24 hour format <ul style="list-style-type: none"> <li>▪ <i>24hr</i></li> <li>▪ <i>12hr</i></li> </ul>
Demo mode	<i>dE:</i> <ul style="list-style-type: none"> <li>▪ <i>on</i> - On</li> <li>▪ <i>oF</i> - Off</li> </ul>
Child safety door lock	<i>dL:</i> <ul style="list-style-type: none"> <li>▪ <i>on</i> - On</li> <li>▪ <i>oF</i> - Off</li> </ul> <p><b>Note:</b> If you deactivate the door lock for you own living situation, be sure to reactivate the door lock for new owners of the appliance.</p>

#### Changing the basic settings

1. Touch **clock/settings** once to change the time of day.
  - "Setting the time of day", Page 13
2. To change all other settings, touch **clock/settings** twice.
  - ✓ *SEtE* and ⚙ is displayed.
3. Touch **start (+30 secs)** to enter the basic settings menu.
  - ✓ *Sc:on* is blinking.
4. Touch **clock/settings** repeatedly, until the desired basic setting is displayed.
5. Touch **start (+30 secs)**.
  - ✓ The current value of the selected basic setting is blinking.
6. Touch **clock/settings** repeatedly until the desired settings value is displayed.
7. Touch **start (+30 secs)** to confirm and exit the settings menu.
8. To change another basic setting start the procedure from the beginning.



## 9.6 Microwave utensil guide

Read here to see if your cooking utensils are suitable to be used in the microwave.

### Suitable ovenware

Ovenware	Examples
Heat-resistant glass, glass ceramic and earthenware	Utility dishes, loaf dishes, pie plates, cake plates, liquid measuring cups, casseroles and bowls without metallic trim, such as Pyrex®, Anchor Hocking™, Corning Ware®, Emile Henry, etc. <sup>1</sup>
China	Bowls, cups, serving plates and platters without metallic trim.
Plastic films and wraps	Plastic wrap, as a cover: <ul style="list-style-type: none"> <li>■ Lay the plastic wrap loosely over the dish and press it to the sides.</li> <li>■ Vent plastic wrap by turning back one edge slightly to allow excess steam to escape.</li> <li>■ The dish should be deep enough so that the plastic wrap will not touch the food.</li> </ul>
Microwave-safe plastics	Microwave-safe plastic dishes, cups, semi-rigid freezer containers and plastic bags for short cooking times. Use these with care because the plastic may soften from the heat of the food.
Paper products	Paper towels, wax paper, parchment paper, paper napkins and paper plates with no metallic trim or design. Refer to the manufacturers label for any special instructions for use in the microwave.

<sup>1</sup> These marks are registered trademarks of their respective owners. All other trademarks are trademarks of BSH Home Appliances Corporation or its affiliated companies.

### Unsuitable ovenware

Ovenware	Examples
Metal utensils and cookware	Avoid metal in the appliance cavity: <ul style="list-style-type: none"> <li>■ Metal shields the food from microwave energy and produces uneven cooking.</li> <li>■ Also avoid metal skewers, thermometers or foil trays.</li> <li>■ Metal utensils can cause arcing, which can damage your microwave.</li> </ul>
Metal decoration	Bowls, cups, serving plates and platters with metallic trim.
Aluminum foil	Avoid large sheets of aluminum foil because they hinder cooking and may cause harmful arcing.

Ovenware	Examples
	Use small pieces of foil to shield poultry legs and wings. Keep ALL aluminum foil at least 1" (25 mm) from the side walls of the appliance cavity and appliance door.
Wood	Wooden bowls and boards will dry out and may split or crack when you use them in the microwave. Baskets made of wood will react in the same way.
Tightly covered cookware	Let steam escape: <ul style="list-style-type: none"> <li>■ Be sure to leave openings for steam to escape from covered cookware.</li> <li>■ Pierce plastic pouches of vegetables or other food items before cooking.</li> <li>■ Tightly closed pouches may explode.</li> </ul>
Brown paper	Avoid using brown paper bags. They absorb heat and can burn.
Flawed or chipped cooking utensils	Cracked, flawed or chipped utensils may break in the appliance.
Metal twist ties	Remove metal twist ties from plastic or paper bags. They become hot and could cause a fire.

### Testing ovenware for microwave suitability

Perform the following test if you are unsure whether your ovenware is suitable for use in the microwave. Do not turn on the microwave unless there is food inside. This ovenware test is the only exception to this rule.

1. Heat the empty ovenware at maximum power for ½ to 1 minute.
2. Check the temperature occasionally during that time.
  - ✓ The ovenware should still be cold or warm to the touch.
  - ✓ The ovenware is unsuitable if it becomes hot or if sparks are generated.

## 10 Sensor cooking

With sensor cooking you can cook different types of food without selecting cooking times and power levels. The microwave oven automatically determines the required cooking time for each food item.

For best results:

- Food cooked with the sensor system should start from normal storage temperature.
- Turntable tray, glass tray and outside of the container should be dry.
- Foods should always be covered loosely with microwavable plastic wrap, wax paper or a lid.
- Do not open the door or touch **stop/clear** during sensing. When sensing is over, the oven beeps twice and the remaining cooking time appears in the display. **At this time you can open the door to stir, turn or rearrange the food.**

## 10.1 Setting sensor cooking

You can select 4 different types of food in the sensor cooking menu.

### 1. Touch **sensor cooking**.

✓ **SC 1** lights up.

### 2. Touch **sensor cooking** repeatedly until the desired program number is displayed.

Refer to the menu label at the bottom of the appliance cavity or see the program table in this manual.

### 3. Touch **start**.

✓ **SC** is displayed.

✓ The program calculates the cook time automatically.

✓ When the program is finished, 2 beeps sound. **End** is displayed.

### 4. Touch **stop/clear**.

✓ The appliance turns off and the time of day is displayed.

## Sensor cooking programs

Program number	Food	Quantity	Cooking recommendations
<b>SC 1</b>	Ground meat	8 - 32 oz 0.5 - 2 lbs	After cooking, allow to stand covered for 3-4 minutes.
<b>SC 2</b>	Fish/Seafood	8 - 32 oz 0.5 - 2 lbs	Roll thin edges underneath. Arrange in a ring around a microwavable dish.
<b>SC 3</b>	Brown rice	1 - 2 cups dry rice	Use a high-sided casserole dish and lid. Use 1 cup of rice to 3 cups of water. After cooking, allow to stand for 10 minutes outside the microwave with the lid slightly open. Stir for 2 minutes.
<b>SC 4</b>	White rice	1 - 2 cups dry rice	Use a high-sided casserole dish and lid. Use 1 cup of rice to 2 cups of water.

## 10.2 Potato

This program cooks 1-4 potatoes (8-32 oz.) automatically.

Program number	Food/Quantity
<b>1</b>	Baked potato 1-4 potatoes (8-32 oz.)
<b>2</b>	Sweet potato 1-4 potatoes (8-32 oz.)

### Setting the potato function

#### 1. Pierce the potatoes with a fork several times.

#### 2. Touch **potato**.

✓ **1** is displayed.

#### 3. Touch **potato** repeatedly until the number of the desired food type is displayed.

#### 4. Touch **start (+30 secs)**.

✓ **SC** is displayed.

✓ The program calculates the cook time automatically.

✓ When the program is finished, 2 beeps sound. **End** is displayed.

#### 5. Touch **stop/clear**.

✓ The appliance turns off and the time of day is displayed.

#### 6. Let the potatoes stand for 3 - 5 minutes after cooking.

### Notes

- Place the potatoes on the turntable in a spoke-like fashion.
- Let the appliance cool for at least 5 minutes before using it again.

## 10.3 Frozen vegetables

This function allows you to cook 8-24 oz. of frozen vegetables automatically.

Add 1 tablespoon of water per 4 oz. of frozen vegetables.

### Setting frozen vegetables

#### 1. Touch **frozen vegetables**.

#### 2. Touch **start**.

✓ **SC** is displayed.

✓ The program calculates the cook time automatically.

✓ When the program is finished, 2 beeps sound. **End** is displayed.

#### 3. Touch **stop/clear**.

✓ The appliance turns off and the time of day is displayed.

## 10.4 Fresh vegetables

This function allows you to cook 8-24 oz. of fresh vegetables automatically.

Add 2 tablespoons of water per 8 oz. of fresh vegetables.

No water is needed if vegetables have just been washed.

### Setting fresh vegetables

#### 1. Touch **fresh vegetables**.

#### 2. Touch **start**.

✓ **SC** is displayed.

✓ The program calculates the cook time automatically.

✓ When the program is finished, 2 beeps sound. **End** is displayed.

**3. Touch stop/clear.**

- ✓ The appliance turns off and the time of day is displayed.

**10.5 Reheat**

In reheat mode you can select from 7 different types of food for reheating.

Program number	Food/Quantity
<i>rEH1</i>	Casserole, pasta 1 - 4 servings
<i>rEH2</i>	Chicken 0.5 - 1.0 lb
<i>rEH3</i>	Vegetables 8 - 24 oz
<i>rEH4</i>	Steak, chops 0.5 - 1.0 lb
<i>rEH5</i>	Rice 0.5 - 3.0 lbs
<i>rEH6</i>	Soup 1 - 2 cups
<i>rEH7</i>	Plate of food 1 plate

**Setting reheat****1. Touch reheat.**

- ✓ *rEH1* is displayed.

**2. Touch reheat** repeatedly until the number of the desired food type is displayed.**3. Touch start.**

- ✓ *SC* is displayed.
- ✓ The program calculates the cook time automatically.
- ✓ When the program is finished, 2 beeps sound. *End* is displayed.

**4. Touch stop/clear.**

- ✓ The appliance turns off and the time of day is displayed.

**Recommendations for reheating**

Food	Recommendations
Dinner plate	<ul style="list-style-type: none"> <li>■ Use only pre-cooked, refrigerated foods.</li> <li>■ Cover the plate with vented plastic wrap or waxed paper, tucked under the plate.</li> <li>■ If the food is not hot enough after heating it with the <b>reheat</b> function, continue heating using manual time and power level setting.</li> </ul> <p>Includes:</p> <ul style="list-style-type: none"> <li>■ 3-4 oz. meat, poultry or fish (up to 6 oz. with bone)</li> <li>■ ½ cup starch (potatoes, pasta, rice, etc.)</li> <li>■ ½ cup of vegetables (about 3-4 oz.)</li> </ul>

Food	Recommendations
Casserole, pasta	<ul style="list-style-type: none"> <li>■ Use only pre-cooked, refrigerated foods.</li> <li>■ Cover plate with lid or vented plastic wrap.</li> <li>■ If the food is not hot enough after heating it with the <b>reheat</b> function, continue heating using manual time and power level setting.</li> </ul> <p>Includes:</p> <ul style="list-style-type: none"> <li>■ Casserole: refrigerated foods, such as beef stew or lasagna</li> <li>■ Pasta: canned spaghetti and ravioli, refrigerated foods</li> </ul>

**10.6 Frozen entrée**

This function allows you to cook 8-24 oz. of frozen entrées automatically.

Follow package instructions for venting, cutting plastic film, etc.

**Setting frozen entrée****1. Touch frozen entree.****2. Touch start.**

- ✓ *SC* is displayed.
- ✓ The program calculates the cook time automatically.
- ✓ When the program is finished, 2 beeps sound. *End* is displayed.

**3. Touch stop/clear.**

- ✓ The appliance turns off and the time of day is displayed.

**10.7 Pizza**

This function allows you to reheat 1 - 3 slices of pizza automatically.

**Setting pizza****1. Touch pizza.**

- ✓ *i* is displayed.

**2. Touch pizza** repeatedly until the desired number of pizza slices is displayed.**3. Touch start.**

- ✓ *SC* is displayed.
- ✓ The program calculates the cook time automatically.
- ✓ When the program is finished, 2 beeps sound. *End* is displayed.

**4. Touch stop/clear.**

- ✓ The appliance turns off and the time of day is displayed.

## 11 Automatic programs

With the different automatic programs you can use predefined settings for a variety of foods.

### 11.1 Beverage

With this feature you can heat up 0.5 to 2 cups of a beverage.

Display	Quantity in cups
8 oz	0.5
16 oz	1
24 oz	1.5
32 oz	2

#### Setting the beverage feature

#### CAUTION

Beverages heated with the beverage feature may be very hot.

- ▶ Remove the container with care.

**Requirement:** Use a microwave-safe measuring cup or mug; do not cover.

1. Touch **beverage**.
  - ✓ 8 oz lights up.
2. Touch **beverage** repeatedly until the desired quantity is displayed.
3. Touch **start**.
  - ✓ The cook time is set automatically.
  - ✓ When the program is finished, 2 beeps sound. *End* is displayed.
4. Touch **stop/clear**.
  - ✓ The appliance turns off and the time of day is displayed.
5. Stir after heating.

**Note:** Let the appliance cool for at least 5 minutes before using it again.

### 11.2 Popcorn

The popcorn feature lets you pop 3 different bag sizes of commercially packaged microwave popcorn.

Display	Bag size
1.75 oz	1.75 oz.
3.0 oz (sensor program)	3.0 oz.
3.5 oz (sensor program)	3.5 oz.

#### Setting the popcorn feature

#### CAUTION

Do not leave the appliance unattended while popping corn. Popcorn may ignite and cause fire.

#### CAUTION

Use caution when removing and opening the hot popcorn bag from the appliance.

1. Touch **popcorn**.
  - ✓ 1.75 oz is displayed.
2. Touch **popcorn** repeatedly until the desired bag size is displayed.
3. Touch **start**.
  - ✓ The cook time is set automatically.
  - ✓ When the program is finished, 2 beeps sound. *End* is displayed.
4. Touch **stop/clear**.
  - ✓ The appliance turns off and the time of day is displayed.

#### Notes

- Let the appliance cool for at least 5 minutes before using it again.
- Cook one "microwave-only" bag of popcorn at a time.

### 11.3 Defrost

You can set the defrost mode by entering a time, or a specific weight.

**Note:** The power level cannot be changed in defrost mode, as this would adversely affect defrost performance.

#### WARNING

To avoid health risk, drain off liquids that will be produced when defrosting meat or poultry when turning the food. Under no circumstances, use these liquids for other purposes, or allow it to come into contact with other foods.

Program number	Food/Quantity
dEF1	Ground meat 0.5 - 3.0 lbs
dEF2	Meat pieces (steaks, chops) 0.5 - 3.0 lbs
dEF3	Poultry pieces 0.5 - 3.0 lbs
dEF4	Defrost by time max. 99 minutes:99seconds

#### Setting defrost

1. Touch **defrost**.
  - ✓ dEF1 and ♂ is displayed.
2. You can also touch **defrost** repeatedly until the number of the desired defrost program is displayed.
3. Touch **start (+30 secs)**.
4. For defrost programs 1 - 3:
  - 0.0 lbs is displayed.
  - Enter the weight of the food to defrost in pounds with the number keys.
5. For defrost program 4:
  - 00:00 is displayed.

- Enter the desired defrost time in minutes and seconds with the number keys.

#### 6. Touch **start**.

- ✓ The cook time begins to count down.
- ✓ When the program is finished, 2 beeps sound. *End* is displayed.

#### 7. Touch **stop/clear**.

- ✓ The appliance turns off and the time of day is displayed.

### Recommendations for defrosting

Follow these recommendations for best defrosting results.

- Use a microwavable shallow dish, such as a glass casserole dish or glass plate, but do not cover.
- Always enter the weight in lbs when using the defrost by weight feature (0.1 to 6.0 lbs).
- Use the defrost mode for raw food items only.
- Defrosting gives best results when food to be thawed is a minimum of 0° F, taken directly from a freezer. If the food has been stored in a refrigerator-freezer that does not maintain a temperature of 5°F or below, always program a lower food weight or lower cook time to prevent cooking the food.
- If the frozen food is stored outside the freezer for up to 20 minutes, enter a reduced cook time or weight.
- The shape of the package will alter the defrosting time. Shallow rectangular food packets defrost more quickly than a deep frozen block of food.
- Separate pieces as they begin to defrost. Separated frozen pieces of food defrost better.
- Shield warm areas of food with small pieces of aluminum foil, if they start to heat up. Use small pieces of aluminum foil to shield food items like chicken wings, leg tips and fish tails. Do not allow aluminum foil to touch the appliance cavity when defrosting.

#### Tips for stand time

- Leave the defrosted food to stand for an additional 10 to 30 minutes until it reaches an even temperature.
- Large pieces of meat require a longer standing time than smaller pieces.
- Separate flat pieces of meat and items made from ground meat from each other before leaving to stand.
- After this time, you can continue to prepare the food, even though thick pieces of meat may still be frozen in the middle.

### Recommendations for defrosting meat

For best results, please read these suggestions when defrosting meat.

Meat	Recommendations
Ground meat	After each stage, remove any pieces of food that are nearly defrosted. Let stand covered with foil for 5 to 10 minutes.
Steaks, chops or fish	After each stage, rearrange the food. If there are any warm or thawed portions of food, shield them with narrow pieces of aluminum foil. Remove any pieces of

Meat	Recommendations
	food that are nearly defrosted. Let stand covered for about 5 to 10 minutes.
Chicken pieces	After each stage, rearrange or remove any pieces of food that are nearly defrosted. Let stand covered for 5 to 10 minutes.

### 11.4 Keep warm

You can keep cooked food warm in your microwave for up to 30 minutes.

- Use the keep warm mode to keep cooked foods hot and ready to serve.
- Food cooked covered should remain covered during keep warm.
- Pastry items, such as pies and turnovers should be uncovered.
- Complete meals kept warm on a dinner plate can be covered during keep warm.

#### Setting keep warm

#### CAUTION

WHEN USING KEEP WARM MODE, FOLLOW THESE GUIDELINES:

- ▶ Do not use the Keep Warm mode to heat cold food.
- ▶ Be sure to maintain proper food temperature. The USDA recommends holding hot food at 140°F (60°C) or warmer.
- ▶ DO NOT warm food longer than one hour.

#### 1. Touch **keep warm**.

- ✓ *30:00* minutes is displayed.

#### 2. Touch **start (+30 secs)**.

- ✓ When the cook time has run out, 2 beeps sound. *End* is displayed.

#### 3. Touch **stop/clear**.

- ✓ The appliance turns off and the time of day is displayed.

**Note:** To stop **keep warm** before the cook time has run out touch **stop/clear**.

### 11.5 Soften/melt

This function lets you soften or melt 4 different types of foods.

Program number	Food/Quantity
/	Butter <ul style="list-style-type: none"> <li>■ 1 oz</li> <li>■ 2 oz</li> <li>■ 4 oz</li> </ul>
2	Chocolate chips <ul style="list-style-type: none"> <li>■ 1 cup</li> <li>■ 2 cups</li> </ul>

Program number	Food/Quantity
3	Cream cheese <ul style="list-style-type: none"><li>■ 3 oz</li><li>■ 6 oz</li><li>■ 8 oz</li></ul>
4	Ice cream <ul style="list-style-type: none"><li>■ 4 oz</li><li>■ 8 oz</li><li>■ 16 oz</li><li>■ 32 oz</li><li>■ 48 oz</li></ul>

### Setting soften/melt

1. Touch **soften/melt**.
  - ✓ *SOFT* is displayed.
2. Touch **soften/melt** repeatedly until the number of the desired food type is displayed.
3. Touch **start (+30 secs)**.
4. Touch **soften/melt** repeatedly until the desired quantity is displayed.
5. Touch **start (+30 secs)**.
  - ✓ The cook time begins to count down.
  - ✓ When the program is finished, 2 beeps sound. *End* is displayed.
6. Touch **stop/clear**.
  - ✓ The appliance turns off and the time of day is displayed.

## 12 Cooking charts

The charts can be used as a guide. Follow package or recipe directions.

### 12.1 Cooking meat in your microwave

- Place prepared meats on a microwave-safe roasting rack in a microwave-safe dish.
- Start cooking the meat fat side down.
- If necessary, use narrow strips of aluminum foil to shield any bone tips or thin meat areas.
- After cooking, check the temperature in several places before letting the meat stand the recommended time.
- The temperatures in the following charts are temperatures at removal time; the temperature will rise during the standing period.
- Follow the recommendations for stand time.  
→ "Stand time", Page 24

Meat	Power level	Cook time	Directions
Roast beef, boneless up to 4 lbs.	10 - High, for first 5 minutes then 5 - Medium	For 160°F (71°C) - medium: ■ 12-17 min./lb.  For 170°F (76°C) - well-done: ■ 14-19 min./lb.	<ul style="list-style-type: none"> <li>■ Place the roast beef fat-side down on a roasting rack.</li> <li>■ Cover with wax paper.</li> <li>■ Turn over half way through cooking.</li> <li>■ Let stand for 10–15 minutes.<sup>1</sup></li> </ul>
Roast pork, boneless or bone-in up to 4 lbs.	10 - High, for first 5 minutes then 5 - Medium	For 170°F (76°C) - well-done: ■ 14-19 min./lb.	<ul style="list-style-type: none"> <li>■ Place the roast pork fat-side down on a roasting rack.</li> <li>■ Cover with wax paper.</li> <li>■ Turn over half way through cooking.</li> <li>■ Let stand for 10–15 minutes.<sup>1</sup></li> </ul>

<sup>1</sup> Expect a 10°F (6°C) rise in the temperature during the standing period.

### 12.2 Cooking poultry in your microwave

- Place the poultry on a microwave-safe roasting rack in a microwave-safe dish.
- Cover poultry with wax paper to prevent splattering.
- Use narrow strips of aluminum foil to shield any bone tips or thin meat areas, or areas that start to overcook.
- After cooking, check the temperature in several places before letting the meat stand the recommended time.
- Follow the recommendations for stand time.  
→ "Stand time", Page 24

Meat	Power level	Cook time	Temperature	Directions
Whole chicken up to 4 lbs.	7 - Medium high	7-10 min./lb.	<ul style="list-style-type: none"> <li>■ 170°F (76°C) for dark meat</li> <li>■ 160°F (71°C) for light meat</li> </ul>	<ul style="list-style-type: none"> <li>■ Place the chicken breast-side down on the roasting rack.</li> <li>■ Cover with wax paper.</li> <li>■ Turn over half way through cooking.</li> <li>■ Cook until juices run clear and the meat near the bone is no longer pink.</li> <li>■ Let stand for 10–15 minutes</li> </ul>
Chicken pieces up to 4 lbs.	7 - Medium high	7-10 min./lb.	<ul style="list-style-type: none"> <li>■ 170°F (76°C) for dark meat</li> <li>■ 160°F (71°C) for light meat</li> </ul>	<ul style="list-style-type: none"> <li>■ Place the chicken bone-side down on the dish, with the thickest portions toward the inside of the dish.</li> <li>■ Cover with wax paper.</li> <li>■ Turn over half way through cooking.</li> <li>■ Cook until juices run clear and the meat near the bone is no longer pink.</li> <li>■ Let stand for 10–15 minutes</li> </ul>

### 12.3 Stand time

Follow these guidelines for stand time for safe cooking results.

Meat	Doneness	Remove from appliance	After standing for 10-15 min.
		Temperature in °F (°C)	Temperature in °F (°C)
Beef	Medium	150 (65)	160 (71)
	Well done	160 (71)	170 (77)
Pork	Medium	150 (65)	160 (71)
	Well done	160 (71)	170 (77)
Poultry	Dark meat	170 (77)	180 (82)
	Light meat	160 (71)	170 (77)

### 12.4 Cooking eggs in your microwave

- Never cook eggs in the shell and never warm hard-cooked eggs in the shell; they can explode.
- Always pierce the yolk on whole eggs to keep them from bursting.
- Cook eggs just until set; they will become tough if overcooked.
- Cooking scrambled eggs is safe.

### 12.5 Cooking vegetables in your microwave

- Wash the vegetables just before cooking. Extra water is rarely needed. If dense vegetables such as potatoes or carrots are being cooked, add about ¼ cup of water.
- Small vegetables, such as sliced carrots, peas or lima beans, will cook faster than larger vegetables.

- Whole vegetables, such as potatoes, acorn squash, corn on the cob, etc., should be arranged in a circle on the turntable before cooking. They will cook more evenly if turned over halfway through cooking.
- Always place vegetables like asparagus and broccoli with the stem ends pointing towards the edge of the dish and the tips toward the center.
- When cooking cut vegetables, always cover the dish with a lid or vented microwavable plastic wrap.
- For whole, unpeeled vegetables, such as potatoes, sweet potatoes, squash, eggplant, etc., prick the skin of the vegetables in several locations before cooking to prevent them from bursting.
- For more even cooking, stir or rearrange whole vegetables halfway through the cook time.
- The denser the food, the longer the required standing time. For example, a baked potato should stand for 5 minutes before serving, while a dish of peas may be served immediately.

### 12.6 Cooking seafood in your microwave

- Be sure to place fish on a microwave-safe roasting rack in a microwave-safe dish.
- Be sure to always cook fish until it flakes easily with a fork.

- Use a tight cover to steam fish; a lighter cover of wax paper or paper towel provides less steaming.
- Be sure not to overcook fish; check it for doneness at the minimum cooking time before cooking longer.

Seafood	Power level	Cook time	Directions
Fish steaks up to 1½ lbs.	7 - Medium high	7-11 min./lb.	<ul style="list-style-type: none"> <li>Arrange the fish on a roasting rack with the meaty portions towards the outside of the rack.</li> <li>Cover with wax paper.</li> <li>Turn over and rearrange halfway through cook time.</li> <li>Cook until the fish flakes easily with fork.</li> <li>Let stand for 3-5 minutes</li> </ul>
Fish fillets up to 1½ lbs.	7 - Medium high	7-11 min./lb.	<ul style="list-style-type: none"> <li>Arrange fillets in a baking dish, turning any thin pieces under.</li> <li>Cover with wax paper.</li> <li>If over ½" thick, turn over and rearrange halfway through the cook time.</li> <li>Cook until the fish flakes easily with fork.</li> <li>Let stand for 2-3 minutes</li> </ul>



Seafood	Power level	Cook time	Directions
Shrimp up to 1½ lbs.	7 - Medium high	7-11 min./lb.	<ul style="list-style-type: none"> <li>■ Arrange shrimp in a baking dish without overlapping or layering.</li> <li>■ Cover with wax paper.</li> <li>■ Cook until firm and opaque. Stir 2 or 3 times during cooking.</li> <li>■ Let stand for 5 minutes</li> </ul>

## 13 Cleaning and maintenance

To keep your appliance working efficiently for a long time, it is important to clean and maintain it carefully.

### 13.1 Cleaning agents

Only use suitable cleaning agents to avoid damage to the appliance surfaces.

#### Brand names

- The use of brand names is intended only to indicate a type of cleaner. This does not constitute an endorsement.
- The omission of any brand name cleaner does not imply its adequacy or inadequacy.
- Many products are regional in distribution and can be found in local markets.

#### Cleaning recommendations

Clean only those parts of your appliance that are listed in the cleaning chart.

- Take special care to keep the inner door panel and appliance front frame free of food and grease build-up.
- Never use abrasive scouring powder or pads.
- Wipe spatters immediately with a wet paper towel, especially after cooking greasy foods like chicken or bacon.
- Clean your appliance weekly or more often, if needed.
- Never operate the appliance without food in the appliance cavity; this can damage the magnetron tube or glass tray.
- You may leave a cup of water standing inside the appliance when it is not in use to prevent damage if the appliance is accidentally turned on.

Part	Suitable cleaning method	Recommendations
Appliance cavity	<ul style="list-style-type: none"> <li>■ Wipe up spills immediately.</li> <li>■ Clean with a damp, clean cloth and mild soap.</li> <li>■ To help loosen baked-on food particles or liquids: <ul style="list-style-type: none"> <li>– Heat 2 cups of water in a 4 cup microwave-safe dish at power level 10 for 5 minutes or until boiling.</li> <li>– You may add the juice of 1 lemon if you desire to keep the appliance fresh smelling.</li> <li>– Let it stand in the appliance cavity for 1 or 2 minutes.</li> </ul> </li> </ul>	<ul style="list-style-type: none"> <li>■ Keep the appliance cavity clean. Food particles and spilled liquids can stick to the appliance cavity walls, causing the appliance to work less efficiently.</li> <li>■ DO NOT use harsh detergents or abrasive cleaners.</li> <li>■ Remove the glass turntable tray from the appliance when cleaning the appliance cavity.</li> </ul>

<sup>1</sup> These marks are registered trademarks of their respective owners. All other trademarks are trademarks of BSH Home Appliances Corporation or its affiliated companies.

Part	Suitable cleaning method	Recommendations
Wire rack	<ul style="list-style-type: none"> <li>■ Wash with soapy water.</li> <li>■ Rinse thoroughly and dry, or gently rub with cleansing powder or soap-filled pads as directed.</li> </ul>	
Glass turntable	<ul style="list-style-type: none"> <li>■ Wash in warm soapy water or in the dishwasher.</li> </ul>	<ul style="list-style-type: none"> <li>■ Let the glass turntable cool off before handling it.</li> <li>■ Remove the glass turntable from the appliance cavity for cleaning.</li> <li>■ DO NOT put the glass turntable in water immediately after cooking; it may break.</li> </ul>
Turntable roller rest	<ul style="list-style-type: none"> <li>■ Clean with warm, soapy water. Rinse thoroughly and dry.</li> </ul>	
Door glass	<ul style="list-style-type: none"> <li>■ Wash with soap and water or glass cleaner, or apply all purpose cleaner on a clean sponge or paper towel and wipe clean.</li> <li>■ If steam accumulates inside or outside the appliance door, wipe it off with a soft cloth. Steam can accumulate when operating the appliance in high humidity. This does in no way indicate microwave leakage.</li> </ul>	<ul style="list-style-type: none"> <li>■ Do not use abrasive cleaners, like powder cleaning agents, steel wool pads and oven cleaners.</li> </ul>
Painted surfaces	<ul style="list-style-type: none"> <li>■ Clean with hot soapy water or apply all purpose cleaner to a clean sponge or paper towel and wipe clean.</li> </ul>	<ul style="list-style-type: none"> <li>■ Do not use abrasive cleaners, like powder cleaning agents, steel wool pads and oven cleaners.</li> </ul>
Stainless steel surfaces	<ul style="list-style-type: none"> <li>■ Clean with a soapy sponge, then rinse and dry, or wipe with Fantastik® sprayed on a paper towel.</li> <li>■ Protect and polish with Stainless Steel Magic® and a soft cloth.</li> <li>■ Remove water spots with a cloth dampened with white vinegar.</li> </ul>	<ul style="list-style-type: none"> <li>■ Always wipe or rub in the direction of the grain.</li> <li>■ DO NOT use any cleanser that contains chlorine as these may rust the stainless steel.</li> </ul>
Plastic and controls	<ul style="list-style-type: none"> <li>■ When cool, clean with soapy water, rinse and dry.</li> </ul>	
Printed areas (words and numbers)	<ul style="list-style-type: none"> <li>■ Clean with soapy water, rinse and dry.</li> </ul>	<ul style="list-style-type: none"> <li>■ DO NOT use abrasive cleaners or petroleum based solvents.</li> </ul>

## 14 Troubleshooting

You can eliminate minor issues on your appliance yourself. Please read the information on eliminating issues before contacting Customer Service. This may avoid unnecessary repair visits.

### WARNING

Improper repairs are dangerous.

- ▶ Repairs to the appliance should only be performed by authorized service providers.

- ▶ If the power cord or the appliance power cable of this appliance becomes damaged, it must be replaced with a special power cord or special appliance power cable, which is available from the manufacturer or the manufacturer's Customer Service.
- ▶ Only original spare parts may be used to repair the appliance.
- ▶ If the appliance has an issue, call Customer Service.

Issue	Cause and troubleshooting
Appliance and display not working	<p>There is no power supply to the appliance</p> <ul style="list-style-type: none"> <li>▶ Ensure that the unit's power cord is fully plugged into the power outlet and the circuit breaker has not tripped.</li> <li>▶ Reset the household circuit breaker or replace any tripped circuit breakers or fuses.</li> <li>▶ Remove the plug from the outlet, wait 10 seconds, then plug the appliance in again.</li> <li>▶ Plug a different appliance into the power outlet. If the other appliance does not operate, have a qualified electrician repair the outlet.</li> <li>▶ Plug the appliance into a different power outlet.</li> </ul>
Display is working, but appliance does not operate	<p>The appliance door is not fully closed</p> <ol style="list-style-type: none"> <li>1. Check the appliance door for obstructions.</li> <li>2. Check to see if the hinge is bent.</li> </ol>
	<p>The door seal is dirty</p> <ul style="list-style-type: none"> <li>▶ Check to see if packing material or other materials are stuck to the door seal.</li> </ul>
	<p>The appliance door is damaged</p> <ul style="list-style-type: none"> <li>▶ Check the appliance door for damage. Do not operate the appliance if the door is damaged.</li> </ul>
Power goes off before the cook time has elapsed	<p>The settings were entered incorrectly</p> <ul style="list-style-type: none"> <li>▶ Press <b>Clear/Off</b> twice and enter the desired settings again.</li> </ul>
	<p>The time settings are incorrect</p> <ul style="list-style-type: none"> <li>▶ Press <b>Clear/Off</b> twice and enter the desired settings again.</li> <li>▶ Reset the clock and enter the desired settings again.</li> </ul>
Food is cooking too slowly	<p>There is no power supply to the appliance</p> <ol style="list-style-type: none"> <li>1. Check circuit breaker or fuse box to your house.</li> <li>2. Make sure there is proper electrical power to the appliance.</li> </ol>
	<p>The voltage reaching the appliance might be too low.</p> <ol style="list-style-type: none"> <li>1. Make sure the appliance is on a separate 20 amp circuit line. Operating another appliance on the same circuit can cause a voltage drop.</li> <li>2. If necessary, connect the appliance to its own circuit.</li> </ol>
Sparks or arcing in the appliance cavity	<p>There are metallic objects in the appliance cavity</p> <ol style="list-style-type: none"> <li>1. Remove any metallic utensils, cookware or metal ties from the appliance cavity.</li> <li>2. If you use aluminum foil, use only narrow strips and allow at least 1" (2.5 cm) between the foil and the appliance cavity walls.</li> </ol>
Turntable makes noises or sticks	<p>There is dirt on the underside of the turntable or the roller ring</p> <ul style="list-style-type: none"> <li>▶ Clean the turntable, roller ring and appliance cavity bottom.</li> </ul>
	<p>The turntable and roller ring are not seated properly</p> <ul style="list-style-type: none"> <li>▶ Make sure the turntable and roller ring are positioned correctly.</li> </ul>
Using the microwave causes TV or radio interference	<p>Similar interference is caused by other small appliances, such as hairdryers.</p> <ul style="list-style-type: none"> <li>▶ Move other appliances like your TV or radio further away from your microwave.</li> </ul>

Issue	Cause and troubleshooting
LED lights are not working	The LED lamps are burnt out. ▶ Call → "Customer Service", Page 28.
Power level switched from 10 to 8	The microwave has been operating at power level 10 for more than 30 minutes. The power level has switched to power level 8 to avoid overcooking. ▶ This is normal. There is no action required.

## 15 Disposal

### 15.1 Disposal of your old appliance

Environmentally compatible disposal allows valuable raw materials to be recycled.

1. Unplug the appliance from the power supply.
2. Cut through the power cord.
3. Dispose of the appliance in an environmentally responsible manner.

Information about current disposal methods can be obtained from your specialist dealer or local authority.

## 16 Customer Service

With any warranty repair, we will make sure your appliance is repaired by an authorized service provider using genuine replacement parts. We use only genuine replacement parts for all repairs.

Detailed information on the warranty period and terms of warranty can be found in the Statement of Limited Product Warranty, from your retailer, or on our website.

If you contact Customer Service, you will need the model number (E-Nr.) and the production number (FD) of your appliance.

The LED light sources are available as a spare part and should only be replaced by an authorized service provider.  
 USA:

1-800-944-2904

[www.bosch-home.com/us/owner-support/get-support](http://www.bosch-home.com/us/owner-support/get-support)

[www.bosch-home.com/us/shop](http://www.bosch-home.com/us/shop)

CA:

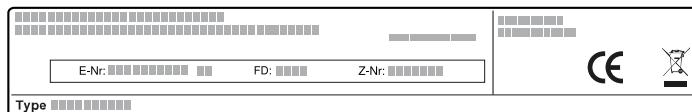
1-800-944-2904

[www.bosch-home.ca/en/service/get-support](http://www.bosch-home.ca/en/service/get-support)

[www.bosch-home.ca/en/service/cleaners-and-accessories](http://www.bosch-home.ca/en/service/cleaners-and-accessories)

### 16.1 Model number (E-Nr.) and production number (FD)

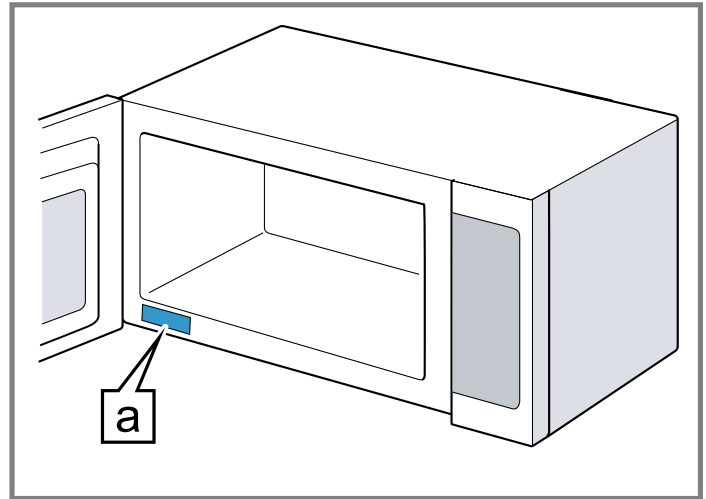
You can find the model number (E-Nr.) and the production number (FD) on the appliance's rating plate.



Making a note of your appliance's details and the Customer Service telephone number will enable you to find them again quickly.

## 16.2 Rating plate location

The rating plate is located in the lower left corner of the microwave front face and is visible when the door is open.



**a** Rating plate

## 17 STATEMENT OF LIMITED PRODUCT WARRANTY

### 17.1 What this warranty covers & Who it applies to

The limited warranty provided by BSH Home Appliances ("Bosch") in this Statement of Limited Product Warranty applies only to the Bosch appliance sold to you ("Product"), provided that the Product was purchased:

- For your normal, household (non-commercial) use, and has in fact at all times only been used for normal household purposes.
- New at retail from a BSH authorized dealer or directly from BSH (not a display, "as is", or previously returned model), and not for resale, or commercial use.
- Within the United States or Canada, and has at all times remained within the country of original purchase.

The warranties stated herein apply to the original purchaser of the product warranted herein and to each succeeding owner of the product purchased for ordinary home use during the term of the warranty.

Please make sure to register your Product; while not necessary to effectuate warranty coverage, it is the best way for Bosch to notify you in the unlikely event of a safety notice or product recall.

## 17.2 How long the warranty lasts

Bosch warrants that the Product is free from defects in materials and workmanship for a period of three hundred and sixty-five (365) days from the date of the original delivery. The foregoing timeline begins to run upon the date of the original delivery, and shall not be stalled, tolled, extended, or suspended, for any reason whatsoever. This Product is also warranted to be free from **cosmetic** defects in material and workmanship (such as scratches of stainless steel, paint/porcelain blemishes, chips, dents, or other damage to the finish) of the Product, for a period of thirty (30) days from the date of delivery or closing date for new construction. This **cosmetic** warranty excludes slight color variations due to inherent differences in painted and porcelain parts, as well as differences caused by kitchen lighting, product location, or other similar factors. This **cosmetic** warranty specifically excludes any display, floor, "As Is", or "B" stock appliances.

## 17.3 Repair/replace as your exclusive remedy

During this warranty period, Bosch or one of its authorized service providers will repair your Product without charge to you (subject to certain limitations stated herein) if your Product proves to have been manufactured with a defect in materials or workmanship. If reasonable attempts to repair the Product have been made without success, then Bosch will replace your Product (upgraded models may be available to you, in Bosch's sole discretion, for an additional charge). Nothing in this warranty requires damaged or defective parts to be replaced with parts of a different type or design than the original part. All removed parts and components shall become the property of Bosch at its sole option. All replaced and/or repaired parts shall assume the identity of the original part for purposes of this warranty and this warranty shall not be extended with respect to such parts. Bosch's sole liability and responsibility hereunder is to repair manufacturer-defective Product only, using a Bosch authorized service provider during normal business hours. For safety and property damage concerns, Bosch highly recommends that you do not attempt to repair the Product yourself, or use a non-authorized service provider; Bosch will have no responsibility or liability for damage resulting from repairs or work performed by a non-authorized service provider. Authorized service providers are those persons or companies that have been specially trained on Bosch products, and who possess, in Bosch's opinion, a superior reputation for customer service and technical ability (note that they are independent entities and are not agents, partners, affiliates or representatives of Bosch). Nevertheless, taking your product to be serviced by a repair shop that is not affiliated with or an authorized

dealer of Bosch will not void this warranty. Also, using third-party parts will not void this warranty. Notwithstanding the foregoing, Bosch will not incur any liability, or have responsibility, for the Product if it is located in a remote area (more than 100 miles from an authorized service provider) or is reasonably inaccessible, hazardous, threatening, or treacherous locale, surroundings, or environment; in any such event, if you request, Bosch would still pay for labor and parts and ship the parts to the nearest authorized service provider, but you would still be fully liable and responsible for any travel time or other special charges by the service company, assuming they agree to make the service call. Further, to the extent you have installed the Product in a difficult-to-access location or have otherwise installed temporary or permanent fixtures that create barriers to accessing or removing the Product, Bosch will not incur any liability for, or have responsibility, for work or costs associated with moving the Product or otherwise creating access to the Product in order to repair or replace it. All such costs shall be your sole responsibility.

## 17.4 Out of warranty product

Bosch is under no obligation, at law or otherwise, to provide you with any concessions, including repairs, prorates, or Product replacement, once this warranty has expired.

## 17.5 Warranty exclusions

The warranty coverage described herein excludes all defects or damage that are not the direct fault of Bosch, including without limitation, one or more of the following:

- Use of the Product in anything other than its normal, customary and intended manner (including without limitation, any form of commercial use, use or storage of an indoor product outdoors, use of the Product in conjunction with air or water-going vessels).
- Any party's willful misconduct, negligence, misuse, abuse, accidents, neglect, improper operation, failure to maintain, improper or negligent installation, tampering, failure to follow operating instructions, mishandling, unauthorized service (including selfperformed "fixing" or exploration of the appliance's internal workings).
- Adjustment, alteration or modification of any kind.
- A failure to comply with any applicable state, local, city, or county electrical, plumbing and/or building codes, regulations, or laws, including failure to install the product in strict conformity with local fire and building codes and regulations.
- Ordinary wear and tear, spills of food, liquid, grease accumulations, or other substances that accumulate on, in, or around the Product.
- Any external, elemental and/or environmental forces and factors, including without limitation, rain, wind, sand, floods, fires, mud slides, freezing temperatures, excessive moisture or extended exposure to humidity, lightning, power surges, structural failures surrounding the appliance, and acts of God.

- Service calls to correct the installation of your Product, to instruct you how to use your Product, to replace house fuses or correct house wiring or plumbing.
- Removal and replacement of trim or decorative panels that interfere with servicing the Product.
- Damage or defects caused by labor or parts installed by any non-authorized service provider, unless approved by Bosch before service is performed.

In no event shall Bosch have any liability or responsibility whatsoever for damage to surrounding property, including cabinetry, floors, ceilings, and other structures or objects around the Product. Also excluded from this warranty are Products, on which the serial numbers have been altered, defaced, or removed; service visits to teach you how to use the Product, or visits where there is nothing wrong with the Product; correction of installation problems (you are solely responsible for any structure and setting for the Product, including all electrical, plumbing or other connecting facilities, for proper foundation/flooring, and for any alterations including without limitation cabinetry, walls, floors, shelving, etc.); and resetting of breakers or fuses. TO THE EXTENT ALLOWED BY LAW, THIS WARRANTY SETS OUT YOUR EXCLUSIVE REMEDIES WITH RESPECT TO PRODUCT, WHETHER THE CLAIM ARISES IN CONTRACT OR TORT (INCLUDING STRICT LIABILITY, OR NEGLIGENCE) OR OTHERWISE. THIS WARRANTY IS IN LIEU OF ALL OTHER WARRANTIES, WHETHER EXPRESS OR IMPLIED. ANY WARRANTY IMPLIED BY LAW, WHETHER FOR MERCHANTABILITY OR FITNESS FOR A PARTICULAR PURPOSE, OR OTHERWISE, SHALL BE EFFECTIVE ONLY FOR THE PERIOD THAT THIS EXPRESS LIMITED WARRANTY IS EFFECTIVE. IN NO EVENT WILL THE MANUFACTURER BE LIABLE FOR CONSEQUENTIAL, SPECIAL, INCIDENTAL, INDIRECT, "BUSINESS LOSS", AND/OR PUNITIVE DAMAGES, LOSSES, OR EXPENSES, INCLUDING WITHOUT LIMITATION TIME AWAY FROM WORK, HOTELS AND/OR RESTAURANT MEALS, REMODELLING EXPENSES IN EXCESS OF DIRECT DAMAGES WHICH ARE DEFINITELY CAUSED EXCLUSIVELY BY BOSCH, OR OTHERWISE. SOME STATES DO NOT ALLOW THE EXCLUSION OR LIMITATION OF INCIDENTAL OR CONSEQUENTIAL DAMAGES, AND SOME STATES DO NOT ALLOW LIMITATIONS ON HOW LONG AN IMPLIED WARRANTY LASTS, SO THE ABOVE EXCLUSIONS OR LIMITATIONS MAY NOT APPLY TO YOU. THIS WARRANTY GIVES YOU SPECIFIC LEGAL RIGHTS, AND YOU MAY ALSO HAVE OTHER RIGHTS WHICH VARY FROM STATE TO STATE.

No attempt to alter, modify or amend this warranty shall be effective unless authorized in writing by an officer of BSH.

## 17.6 Obtaining warranty service

To obtain warranty service for your product, you should contact Bosch Customer Support at 1-800-944-2904 to schedule a repair.

## 17.7 Product information

For handy reference, copy the information below from the rating plate. Keep your invoice and/or delivery documents for warranty validation.

---

Model number (E-Nr.)

---

Production number  
(FD)

---

Date of delivery

---

## Table des matières

<b>1 Énergie micro-ondes</b> .....	<b>32</b>	10.5 Réchauffer.....	50
<b>2 IMPORTANTES CONSIGNES DE SÉCURITÉ</b> .....	<b>33</b>	10.6 Entrée surgelée .....	50
2.1 Définitions des termes de sécurité .....	33	10.7 Pizza .....	50
2.2 Sécurité du micro-ondes .....	33	<b>11 Programmes automatiques</b> .....	<b>51</b>
2.3 Serrure de sécurité pour enfants .....	33	11.1 Boisson .....	51
2.4 Utilisation sécuritaire .....	34	11.2 Popcorn.....	51
2.5 INSTRUCTIONS DE MISE À LA TERRE .....	35	11.3 Décongélation .....	51
2.6 Interférences TV/Radio .....	35	11.4 Garder au chaud .....	52
2.7 Sécurité des enfants .....	35	11.5 Ramollir/fondre .....	53
2.8 Sécurité de nettoyage .....	35	<b>12 Tableaux de cuisson</b> .....	<b>54</b>
2.9 Sécurité de cuisson.....	36	12.1 Cuisson de la viande au micro-ondes.....	54
2.10 En cas d'incendie .....	36	12.2 Cuisson de la volaille au micro-ondes .....	54
2.11 Liquides .....	36	12.3 Temps de repos .....	55
2.12 Cuisson d'articles .....	37	12.4 Cuisson des œufs dans le micro-ondes.....	55
2.13 Ustensiles de cuisson .....	38	12.5 Cuisson de légumes dans votre micro-ondes .....	55
2.14 Plateau en verre/anneau de plateau tournant .....	39	12.6 Cuisson de fruits de mer dans le micro-ondes.....	55
2.15 Pacemakers .....	39	<b>13 Nettoyage et entretien</b> .....	<b>56</b>
2.16 Mises en garde conformément à la proposition 65 de l'État de Californie .....	39	13.1 Produits de nettoyage .....	56
<b>3 Prévenir les bris matériels</b> .....	<b>40</b>	<b>14 Dépannage</b> .....	<b>59</b>
3.1 Généralités .....	40	<b>15 Élimination</b> .....	<b>60</b>
<b>4 Protection de l'environnement et économies</b> .....	<b>40</b>	15.1 Éliminer un appareil usagé .....	60
4.1 Mise au rebut de l'emballage .....	40	<b>16 Service à la clientèle</b> .....	<b>60</b>
<b>5 Description de l'appareil</b> .....	<b>40</b>	16.1 Numéro de modèle (E-Nr.) et numéro de fabrication (FD) .....	60
5.1 Électroménager.....	40	16.2 Emplacement de la plaque signalétique .....	60
5.2 Panneau de commande .....	41	<b>17 ÉNONCÉ DE LA GARANTIE LIMITÉE DU PRODUIT</b> .....	<b>61</b>
<b>6 Accessoires</b> .....	<b>43</b>	17.1 Couverture de la garantie limitée.....	61
6.1 Montage du plateau tournant du plateau en verre ...	43	17.2 Durée de la garantie.....	61
<b>7 Avant d'utiliser pour la première fois</b> .....	<b>43</b>	17.3 Réparation ou remplacement : votre recours exclusif .....	61
7.1 Nettoyage de l'appareil avant sa première utilisation.....	43	17.4 Produit hors garantie .....	62
7.2 Application de l'étiquette du programme .....	43	17.5 Exclusions de garantie .....	62
7.3 Réglage de l'heure du jour .....	43	17.6 Obtention du service de garantie.....	63
<b>8 Se familiariser avec la serrure de sécurité pour enfants</b> .....	<b>43</b>	17.7 Information sur le produit.....	63
<b>9 Opération de base</b> .....	<b>44</b>		
9.1 Réglage du micro-ondes .....	44		
9.2 Réglage de la minuterie de cuisine .....	46		
9.3 Verrouillage du panneau .....	46		
9.4 Favoris .....	46		
9.5 Réglages de base .....	46		
9.6 Guide des ustensiles pour micro-ondes .....	47		
<b>10 Capteur de cuisson</b> .....	<b>48</b>		
10.1 Régler la cuisson par capteur.....	48		
10.2 Pommes de terre .....	49		
10.3 Légumes surgelés.....	49		
10.4 Légumes frais .....	49		

## 1 Énergie micro-ondes

### **▲ MESURES DE PRÉCAUTION POUR ÉVITER L'EXPOSITION EXCESSIVE À L'ÉNERGIE MICRO-ONDE**

(1) Lorsque vous faites fonctionner l'appareil, ne laissez pas la porte de l'appareil ouverte car l'exposition à l'énergie micro-onde peut être nocive. Il est important de ne pas endommager les verrous de sécurité et de ne pas essayer de les forcer.

(2) Aucun objet ne doit empêcher la porte de l'appareil de bien se refermer et ne laissez pas les résidus d'aliments ou de produit d'entretien s'accumuler sur les joints d'étanchéité.

(3) Ne faites pas fonctionner l'appareil s'il est endommagé. Il est particulièrement important que la porte de l'appareil puisse être refermée correctement, et donc que les pièces suivantes ne soient pas endommagées :

- poorte(bosselée)
- charnières et loquets (brisés ou desserrés)
- joints de porte et surfaces d'étanchéité.

(4) Confier toute réparation ou réglage uniquement à un personnel autorisé par l'usine. Toute installation, réparation ou maintenance inadéquate peut entraîner des blessures ou des dommages matériels. Se reporter à ce manuel pour obtenir des conseils sur la façon de procéder. Toute réparation doit être confiée à un centre de service agréé par l'usine.





# IMPORTANTES CONSIGNES DE SÉCURITÉ

LISEZ TOUTES LES INSTRUCTIONS AVANT D'UTILISER L'APPAREIL

**ATTENTION** - Lisez toutes les instructions attentivement avant l'utilisation. Ces précautions réduiront le risque de brûlures, de choc électrique, d'incendie, de blessures corporelles ou d'exposition à une énergie micro-ondes excessive. Lorsque vous utilisez des appareils électroménagers de cuisine, il importe de suivre des précautions de sécurité de base, y compris celles indiquées dans les pages suivantes.

## 2.1 Définitions des termes de sécurité

Vous trouverez ici des explications sur les mots de signalisation de sécurité utilisés dans ce manuel.

### **AVERTISSEMENT**

Signale un risque de mort ou de blessure grave si l'avertissement n'est pas respecté.

### **MISE EN GARDE**

Signale un risque de blessures mineures ou modérées si l'avertissement n'est pas respecté.

### **AVIS :**

Ceci indique que la non-conformité à cet avis de sécurité peut entraîner des dégâts matériels ou endommager l'appareil.

**Remarque :** Ceci vous signale des informations et/ou indications importantes.

## 2.2 Sécurité du micro-ondes

### **AVERTISSEMENT**

**Quand vous utilisez des appareils électriques, observez les consignes de sécurité de base, y compris ce qui suit :**

- ▶ Lisez toutes les instructions avant d'utiliser l'appareil.
- ▶ Lisez et suivez les PRÉCAUTIONS spécifiques POUR ÉVITER UNE EXPOSITION ÉVENTUELLE À UNE ÉNERGIE EXCESSIVE DES MICRO-ONDES figurant dans → *Page 32*
- ▶ Cet appareil doit être mis à la terre. Raccordez l'appareil uniquement à une prise de courant correctement mise à la terre. Voir → *"INSTRUCTIONS DE MISE À LA TERRE", Page 35.*
- ▶ Installez ou aménagez cet appareil uniquement en conformité avec les instructions d'installation fournies.

- ▶ Certains produits comme des œufs entiers et des contenants scellés – par exemple, des pots en verre scellés – peuvent éclater et ne doivent pas être chauffés dans cet appareil.
- ▶ Utilisez cet appareil uniquement dans le cadre de l'utilisation prévue tel que décrit dans ce manuel. N'utilisez pas de produits chimiques corrosifs ou des vapeurs dans cet appareil. Ce type d'appareil est spécifiquement conçu pour chauffer, cuire ou sécher des aliments. Il n'est pas conçu pour un usage industriel ou en laboratoire.
- ▶ **LE CONTENU CHAUD PEUT CAUSER DE GRAVES BRÛLURES. NE PERMETTEZ PAS AUX ENFANTS D'UTILISER LE MICRO-ONDES.** Soyez prudent lorsque vous retirez des éléments chauds.
- ▶ N'utilisez pas cet appareil si le cordon ou la fiche est endommagé, s'il ne fonctionne pas correctement ou s'il a été endommagé ou a été échappé.
- ▶ Cet appareil ne doit être réparé que par un fournisseur de service autorisé. Contactez le fournisseur de services autorisé le plus proche pour un examen, une réparation ou un réglage.
- ▶ Ne couvrez pas ou bloquez les événements ou ouvertures de l'appareil.
- ▶ Ne rangez pas cet appareil à l'extérieur. N'utilisez pas ce produit à proximité de l'eau – par exemple, près d'un évier de cuisine, dans un sous-sol humide, près d'une piscine ou d'emplacements similaires.
- ▶ Ne plongez pas le cordon ou la fiche dans l'eau.
- ▶ Tenez le cordon à l'écart de la surface chauffante.
- ▶ Ne laissez pas le cordon suspendre par dessus le bord d'une table ou d'un comptoir.
- ▶ Lors du nettoyage des surfaces de la porte et de l'appareil qui se rejoignent lors de la fermeture de la porte, utilisez uniquement des savons doux et non abrasifs ou des détergents appliqués avec une éponge ou un chiffon doux. Voir les instructions de nettoyage de la surface de la porte.  
→ *"Nettoyage et entretien", Page 56*

## 2.3 Serrure de sécurité pour enfants

Cet appareil est équipé d'une fonction de verrouillage de porte de sécurité pour enfants. Cette fonction empêche les enfants d'ouvrir l'appareil pendant le fonctionnement.

**CONSERVEZ CES INSTRUCTIONS.**



# IMPORTANTES CONSIGNES DE SÉCURITÉ

## LISEZ TOUTES LES INSTRUCTIONS AVANT D'UTILISER L'APPAREIL

### AVERTISSEMENT

Pour éviter tout risque de blessure, NE désactivez PAS le verrou de sécurité pour enfants si des enfants ou des personnes inexpérimentées ont accès à l'appareil.

## 2.4 Utilisation sécuritaire

### AVERTISSEMENT

Si les consignes du présent manuel ne sont pas suivies à la lettre, il y a un risque d'incendie ou d'électrocution pouvant entraîner des dommages matériels ou des blessures.

Cet appareil électroménager est conçu uniquement pour un usage domestique habituel. Il n'est pas approuvé pour une utilisation en extérieur. Consultez l'énoncé de garantie limitée de produit. Pour toute question, veiller à communiquer avec le fabricant.

### AVERTISSEMENT

Avant d'installer l'appareil et la trousse de finition, coupez l'alimentation au niveau du panneau de service.

- ▶ Verrouillez le panneau de service pour empêcher que l'alimentation ne soit rétablie par accident.

### AVERTISSEMENT

Cet appareil peut être utilisé comme plan de travail ou comme unité encastrée.

- ▶ Pour une installation encastrée, cet appareil doit être monté à une hauteur minimale de 36 $\frac{1}{16}$ " (916 mm).
- ▶ Pour une installation encastrée, le Bosch modèle de l'appareil **HMB30155UC** doit être installé avec la Bosch trousse de garniture dédiée **HMT5055** ou **HMT5755**, selon les manuel d'installation.

### AVERTISSEMENT

N'utilisez pas l'appareil lorsque l'humidité ambiante est excessive.

### AVERTISSEMENT

Pour réduire le risque d'incendie dans la cavité de l'appareil

- ▶ Ne cuisez pas trop les aliments. Surveillez attentivement l'appareil quand des matériaux en papier, plastique et autres combustibles sont insérés à l'intérieur de l'appareil pour faciliter la cuisson.
- ▶ Retirez les attaches métalliques des sacs en papier ou en plastique avant de placer le sac dans l'appareil.

- ▶ Si des matériaux à l'intérieur de l'appareil prennent feu, la porte de l'appareil doit être maintenue fermée, l'appareil éteint, le cordon d'alimentation débranché ou l'alimentation coupée au niveau du fusible ou du panneau du disjoncteur.
- ▶ N'utilisez pas la cavité de l'appareil à des fins de stockage. Ne laissez pas de produits en papier, d'ustensiles de cuisine ou d'aliments dans la cavité de l'appareil lorsqu'il n'est pas utilisé.

### AVERTISSEMENT

La lumière émise par les lumières à DEL est très éblouissante et peut endommager les yeux.

- ▶ Ne regardez pas directement dans les lumières à DEL allumées pendant plus de 100 secondes.
- ▶ Ne regardez pas directement dans les lumières à DEL allumées à l'aide d'aides optiques telles que des jumelles ou une loupe.

### AVERTISSEMENT

Lors de la cuisson des aliments, de petites quantités de certains sous-produits, tels que des particules / de la suie, peuvent être libérés. Pour minimiser l'exposition à ces substances:

- ▶ Assurez-vous d'avoir toujours une ventilation adéquate en utilisant un ventilateur approprié ou une hotte avec une évacuation vers l'extérieur et/ou une fenêtre ouverte.
- ▶ Faites toujours fonctionner l'appareil en suivant les consignes de ce manuel.

### AVERTISSEMENT

Les matériaux surchauffés peuvent provoquer un incendie ou des brûlures et peuvent produire des émanations ou fumées potentiellement dangereuses.

- ▶ Pour éviter une surchauffe, allumez la hotte lorsque vous chauffez des graisses ou faites frire quelque chose en utilisant des paramètres de température moyen à haut.
- ▶ Évitez de chauffer des casseroles et des poêles vides.
- ▶ Ne laissez pas les casseroles bouillir à sec.
- ▶ Ne laissez pas du papier d'aluminium, du plastique, du papier ou du tissu entrer en contact avec un élément chaud, un brûleur ou une grille.



# IMPORTANTES CONSIGNES DE SÉCURITÉ

LISEZ TOUTES LES INSTRUCTIONS AVANT D'UTILISER L'APPAREIL

## 2.5 INSTRUCTIONS DE MISE À LA TERRE

Suivez ces instructions de sécurité lors du branchement de votre appareil à l'alimentation électrique.

### AVERTISSEMENT

Une mise à la terre inadéquate peut entraîner un risque d'électrocution.

Cet appareil doit être mis à la terre. La mise à la terre réduit le risque de choc électrique en fournissant une voie sûre pour le courant électrique en cas de court-circuit.

- ▶ Cet appareil est muni d'un cordon électrique comportant un conducteur de terre et une prise de mise à la terre. La fiche doit être branchée dans une prise qui a été installée et mise à la terre de façon appropriée. Voir manuel d'installation.
- ▶ Consultez un électricien qualifié si vous ne comprenez pas parfaitement les instructions de mise à la terre ou si vous avez des doutes concernant une mise à la terre appropriée.
- ▶ N'utilisez pas de rallonge. Si le cordon d'alimentation du produit est trop court, demandez à un électricien qualifié d'installer une prise à trois fentes près de l'appareil. Cet appareil devrait être branché dans un circuit de 60 hertz séparé avec une capacité électrique telle que montrée dans le tableau des spécifications. Reportez-vous à la section sur les exigences électriques dans les manuel d'installation.
- ▶ Lorsque l'appareil est branché sur un circuit avec un autre équipement, une augmentation des temps de cuisson pourrait être requise et les fusibles pourraient griller.
- ▶ Cet appareil fonctionne sur le courant domestique standard, 120 V.

## 2.6 Interférences TV/Radio

Évitez les interférences TV et radio en suivant ces instructions.

Cet appareil génère et utilise de l'énergie à fréquence ISM. S'il n'est pas installé et utilisé correctement, en stricte conformité avec les directives du fabricant, il pourrait perturber la réception des ondes radio et télévision. Il a été testé et trouvé conforme avec les limites régissant les équipements ISM conformément à la partie 18 des règlements FCC, qui sont conçus pour fournir une protection raisonnable contre une telle

interférence dans une installation résidentielle. Toutefois, il n'y a aucune garantie qu'une interférence ne se produira pas dans une installation particulière. Allumez et éteignez l'appareil pour déterminer s'il est à l'origine de l'interférence.

Essayez les mesures suivantes pour corriger l'interférence :

- Nettoyer la porte et la surface d'étanchéité de l'appareil.
- Réorientez l'antenne réceptrice de la radio ou de la télévision.
- Déplacer l'appareil par rapport au récepteur.
- Éloignez l'appareil du récepteur.
- Branchez l'appareil dans une prise différente de sorte que l'appareil et le récepteur soient sur des circuits de dérivation différents.
- Le fabricant n'est pas responsable des interférences radio ou TV causées par une modification non autorisée de cet appareil. C'est à l'utilisateur qu'il incombe de corriger une telle interférence.

## 2.7 Sécurité des enfants

Ne laissez pas les enfants utiliser cet appareil. Le non-respect de cette consigne peut entraîner des brûlures ou des blessures graves chez les enfants.

Les enfants et les animaux domestiques ne doivent pas être laissés seuls ou sans surveillance à un endroit où un appareil électroménager est utilisé. Ils ne doivent jamais jouer à proximité, que l'appareil soit utilisé ou non.

### AVERTISSEMENT

Ne pas laisser quiconque monter, se tenir debout, se pencher, s'asseoir ou se suspendre sur une partie quelconque de l'appareil électroménager, principalement une porte, un tiroir chauffant ou un tiroir de rangement.

- ▶ Cela peut endommager l'appareil et l'appareil peut basculer et provoquer des blessures graves.

## 2.8 Sécurité de nettoyage

Suivez ces consignes de sécurité lors du nettoyage de votre appareil.

### AVERTISSEMENT

Assurez-vous que tout l'appareil a refroidi et que la graisse s'est solidifiée avant d'essayer de nettoyer une partie de l'appareil.

# CONSERVEZ CES INSTRUCTIONS.



# IMPORTANTES CONSIGNES DE SÉCURITÉ

LISEZ TOUTES LES INSTRUCTIONS AVANT D'UTILISER L'APPAREIL

## MISE EN GARDE

La graisse laissée sur les filtres peut fondre à nouveau et pénétrer dans l'évent. Nettoyez régulièrement les ventilateurs. La graisse ne doit pas s'accumuler sur le ventilateur, les filtres ou les conduits d'évacuation.

- Redoublez de vigilance quand vous nettoyez les filtres d'échappement. Les agents de nettoyage corrosifs, tels que les nettoyeurs pour four à base de lessive, peuvent endommager le filtre.  
→ "Nettoyage et entretien", Page 56
- Lors du nettoyage des surfaces de la porte et de la cavité de l'appareil qui se rejoignent lors de la fermeture de la porte, utilisez uniquement des savons ou des détergents doux et non abrasifs appliqués avec une éponge ou un chiffon doux. Voir les instructions de nettoyage de la surface de la porte.  
→ "Nettoyage et entretien", Page 56
- Nettoyez fréquemment le repose-rouleau du plateau tournant et le fond de la cavité de l'appareil pour éviter tout bruit excessif.
- Laissez le plat de verre se refroidir avant de le nettoyer ou de le mettre dans l'eau.

## 2.9 Sécurité de cuisson

### MISE EN GARDE

**Pour éviter les blessures corporelles ou les dégâts matériels, veuillez suivre les consignes suivantes :**

- ▶ Ne laissez pas l'appareil sans surveillance pendant son utilisation.
- ▶ Ne stockez pas de matériaux inflammables à côté ou dans l'appareil.
- ▶ Ne faites pas fonctionner l'appareil à vide. Cela pourrait endommager l'appareil et entraîner un risque d'incendie.
- ▶ N'entreposez pas et n'utilisez pas des produits chimiques corrosifs, des vapeurs, des matériaux inflammables ou des produits non alimentaires près ou dans cet appareil. Cet appareil est spécialement conçu pour chauffer ou cuire la nourriture. L'emploi de produits chimiques corrosifs dans la cuisson ou le nettoyage endommagera l'appareil et pourrait causer des blessures.
- ▶ Ne séchez pas les vêtements, les journaux ou autres matériaux dans l'appareil. N'utilisez pas des journaux ou des sacs de papier pour la cuisson. Il pourrait en résulter un incendie.

- ▶ N'utilisez pas des produits fabriqués de papier recyclé à moins que leur sécurité au micro-ondes soit attestée. Ils pourraient contenir des impuretés pouvant causer des étincelles et provoquer un incendie.
- ▶ Utilisez toujours des maniques pour retirer des articles de l'appareil. Le récipient de cuisson et le plateau en verre peuvent être chauds même si l'appareil est froid.
- ▶ Dans la mesure du possible, ne mettez pas en marche le système de ventilation pendant un feu de table de cuisson. Toutefois, ne passez pas la main à travers le feu pour l'éteindre.
- ▶ Ne pas monter l'appareil au-dessus d'un évier.
- ▶ Ne rangez aucun objet directement sur le dessus de l'appareil lorsque l'appareil est en cours de fonctionnement.
- ▶ La nourriture ou les ustensiles métalliques surdimensionnés ne devraient pas être placés dans le micro-ondes, car ils pourraient entraîner des risques de décharge électrique ou d'incendie.
- ▶ Ne nettoyez pas le four avec des éponges à récuser métalliques. Des morceaux peuvent se briser et se détacher des éponges et entrer en contact avec des composantes électriques, ce qui pourrait entraîner un risque de décharge électrique.
- ▶ N'utilisez pas de produits en papier lorsque l'appareil fonctionne en mode grille-pain.
- ▶ N'entreposez pas de matériaux dans cet appareil, autres que les accessoires recommandés par le fabricant, lorsqu'il n'est pas utilisé.
- ▶ Ne couvrez pas les grilles ou toute autre partie de l'appareil avec du papier d'aluminium. Cela provoquerait une surchauffe de l'appareil.

## 2.10 En cas d'incendie

Si des matériaux à l'intérieur d'un appareil s'enflamment :

- Gardez la porte de l'appareil fermée.
- Éteignez l'appareil.
- Débranchez l'appareil ou coupez-le au fusible ou au disjoncteur.

## 2.11 Liquides

### AVERTISSEMENT

Les liquides tels que l'eau, le café ou le thé peuvent surchauffer au-delà du point d'ébullition sans paraître bouillant. Le bouillonnement ou l'ébullition lorsque le contenant est retiré du micro-ondes n'est pas toujours

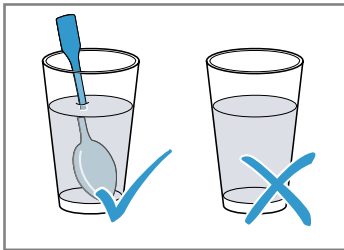


# IMPORTANTES CONSIGNES DE SÉCURITÉ

LISEZ TOUTES LES INSTRUCTIONS AVANT D'UTILISER L'APPAREIL

présent. CELA POURRAIT ENTRAÎNER UN LIQUIDE TRÈS CHAUD SOUDAINEMENT EN ÉBULLITION LORSQUE LE RÉCIPIENT EST DÉRANGÉ OU UNE CUILLÈRE OU UN AUTRE USTENSILE EST INSÉRÉ DANS LE LIQUIDE.

- ▶ Lorsque vous faites chauffer des liquides, placez toujours une baguette en verre ou une cuillère dans le contenant. Vous pourrez ainsi éviter un retard d'ébullition.



## MISE EN GARDE

Métal par ex. une cuillère dans un verre doit être à au moins 1 po (25 mm) des parois de l'appareil et de l'intérieur de la porte. Des étincelles pourraient endommager irrévocablement le verre à l'intérieur de la porte.

Suivez ces recommandations lorsque vous cuisinez avec votre four à micro-ondes :

- Retirez les plats préparés de leur emballage. Ils chaufferont plus rapidement et plus uniformément dans des plats allant au micro-ondes. Les différents composants du repas pourraient nécessiter des temps de cuisson différents.
- Couvrez toujours la nourriture. Si vous ne possédez pas un couvercle adéquat pour votre contenant, utilisez une assiette ou un papier spécial conçu pour le micro-ondes.
- Brassez ou retournez la nourriture plusieurs fois au cours de la cuisson. Vérifiez la température.
- Après la cuisson, laissez la nourriture reposer de 2 à 5 minutes supplémentaires pour obtenir une température uniforme.
- Utilisez toujours un torchon ou des gants de cuisine pour retirer les plaques de l'appareil.

## 2.12 Cuisson d'articles

Suivez ces consignes de sécurité lors de la cuisson des aliments dans votre micro-ondes pour éviter les blessures.

- Œufs :

- Ne faites pas cuire ou réchauffer des œufs entiers, avec ou sans coquille. L'accumulation de vapeur dans les œufs entiers peut les faire exploser et éventuellement endommager l'appareil ou causer des blessures.
- Le réchauffement d'œufs durs en tranches ou la cuisson d'œufs brouillés ne pose aucun problème.
- Popcorn :
  - Utilisez uniquement du popcorn dans des emballages conçus et étiquetés pour usage dans le micro-ondes, ou faites-le éclater dans un éclateur de popcorn pour four à micro-ondes.
  - Suivez les instructions des fabricants de pop-corn et utilisez une marque adaptée à la puissance de votre appareil.
  - Ne continuez pas de cuire après que le popcorn a cessé d'éclater. Le popcorn risquerait alors de brûler.
  - Ne laissez pas l'appareil sans surveillance.

## MISE EN GARDE

Lorsque vous utilisez du popcorn préemballé pour micro-ondes, vérifiez le poids de l'emballage avant d'utiliser la fonction de popcorn.

- ▶ Réglez l'appareil en fonction du poids du paquet de pop-corn. Si vous ne suivez pas ces instructions, il se peut que le popcorn ne s'éclate pas correctement et pourrait s'enflammer et causer un incendie.
- Aliments à peau non poreuse :  
Les pommes de terre, les tomates, les patates douces, les pommes, les courges entières et les saucisses sont des exemples d'aliments à peau non poreuse. Ces types d'aliments doivent être percés avant la cuisson pour éviter qu'ils n'explorent.
- Nourriture pour bébé/Préparation pour bébé  
Ne chauffez pas les biberons ou les aliments pour nourrissons dans le four à micro-ondes. Le pot de verre ou la surface de l'aliment pourrait sembler tiède alors que l'intérieur pourrait brûler la bouche et l'œsophage du nourrisson.
- Grande friture de gras :
  - Ne faites pas frire dans l'appareil. L'huile pourrait chauffer très rapidement au-delà de sa température idéale dans un four à micro-ondes. Les températures pourraient monter à tel point que l'huile de cuisson arrivera au point d'inflammabilité et s'enflammera.

**CONSERVEZ CES INSTRUCTIONS.**



# IMPORTANTES CONSIGNES DE SÉCURITÉ

LISEZ TOUTES LES INSTRUCTIONS AVANT D'UTILISER L'APPAREIL

L'huile chauffée peut faire des bulles et des éclaboussures, ce qui pourrait endommager l'appareil et entraîner des brûlures.

- Par ailleurs, les ustensiles micro-ondables pourraient ne pas supporter la température de l'huile chaude et pourraient occasionner le bris de l'ustensile si celui-ci contient une imperfection, une rayure ou une écaille.
- Mise en conserve/Séchage des aliments/Petites quantités d'aliments à la maison
  - N'utilisez pas le four à micro-ondes pour la mise en conserve domestique ou le chauffage d'un bocal fermé. La pression s'accumulera et le pot pourrait éclater. De plus, l'appareil ne peut pas maintenir les aliments à la bonne température de mise en conserve. Les aliments mis en conserve incorrectement pourraient rancir et être dangereux à consommer. De petites quantités d'aliments ou des aliments à faible contenu d'humidité peuvent s'assécher, brûler ou s'enflammer. Ne faites pas sécher de viandes, d'herbes, de fruits ou de légumes dans votre appareil.
  - La cuisson appropriée dépend du temps réglé et du poids de l'aliment. Si vous utilisez une portion plus petite que celle recommandée et faites cuire la portion au temps recommandé, un incendie pourrait en résulter.
- Plats de brunissement
  - Les plats de brunissement ou les grilles du micro-ondes sont conçus uniquement pour la cuisson au micro-ondes. Les temps de préchauffage varient selon la taille du plat de brunissement et de l'aliment à cuire.
  - Suivez toujours les instructions fournies par le fabricant du plat de brunissement ou de la grille.
  - Ne préchauffez pas les plats de brunissement pendant plus de 6 minutes.
- Sacs à rôtir au four :
  - Si un sac de four est utilisé pour la cuisson au micro-ondes, préparez selon les directions de l'emballage.
  - N'utilisez pas des attaches pour fermer les sacs, utilisez à la place des attaches de nylon, du fil en coton ou d'une bande coupée de l'extrémité ouverte du sac. Pratiquez 6 fentes de ½ po (12,7 mm) après la fermeture du sac.
  - Placez le sac de cuisson dans un plat légèrement plus grand que l'aliment à cuire.

## 2.13 Ustensiles de cuisson

### MISE EN GARDE

Une utilisation incorrecte des ustensiles de cuisine peut entraîner des blessures ou des dommages matériels.

- ▶ Voyez aussi Guide des ustensiles micro-ondables → Page 47.
- ▶ Les ustensiles de cuisson, les plateaux de verre et les grilles deviennent chauds pendant la cuisson au micro-ondes. Utilisez toujours des maniques pour retirer des articles de l'appareil. Laissez le plateau de verre et les grilles métalliques se refroidir (le cas échéant) avant de les manipuler.
- ▶ N'utilisez pas d'ustensiles en métal ou de vaisselle avec des garnitures métalliques dans l'appareil.
- ▶ Lorsque vous utilisez du papier d'aluminium dans l'appareil, laissez un espace d'au moins 1 po (25 mm) entre le papier d'aluminium et les parois ou la porte intérieures de l'appareil.
- ▶ Le plateau de verre et les grilles métalliques (le cas échéant) deviendront chauds pendant la cuisson. Le récipient de cuisson et le plateau en verre peuvent être chauds même si l'appareil est froid.
- ▶ N'utilisez jamais des matériaux en papier, plastique ou autres matériaux combustibles non prévus pour la cuisson.
- ▶ Lorsque vous faites cuire avec des matériaux de papier, de plastique ou autres matériaux combustibles, suivez les recommandations du fabricant.
- ▶ N'utilisez pas des serviettes de papier qui contiennent des fibres de nylon ou des fibres synthétiques. Le chauffage de fibres synthétiques pourrait fondre et amener le papier à s'enflammer.
- ▶ Ne chauffez pas de récipients scellés ou de sacs en plastique dans l'appareil. L'aliment ou le liquide pourrait se dilater rapidement et causer le bris du contenant ou du sac. Percez ou ouvrez le contenant ou le sac avant la cuisson.
- ▶ N'utilisez pas de thermomètres de cuisson ordinaires dans l'appareil. La plupart des thermomètres de cuisson contiennent du mercure et pourraient causer un arc électrique, une anomalie ou des dommages à l'appareil.



# IMPORTANTES CONSIGNES DE SÉCURITÉ

## LISEZ TOUTES LES INSTRUCTIONS AVANT D'UTILISER L'APPAREIL

### 2.14 Plateau en verre/anneau de plateau tournant

- Ne faites pas fonctionner l'appareil sans que le support du plateau tournant et le plateau en verre ne soient en place.
- Une mauvaise cuisson ou des dommages à l'appareil pourraient en résulter. Vérifiez que le plateau en verre est correctement positionné et tourne lorsque l'appareil est en cours d'utilisation. **Remarque** : le plateau en verre peut tourner dans les deux sens.
- Utilisez uniquement le plateau en verre conçu pour cet appareil. Ne lui substituez aucun autre plat.
- Laissez le plat de verre se refroidir avant de le nettoyer ou de le mettre dans l'eau.
- Ne placez pas les aliments directement sur le plat de verre. Placez toujours l'aliment dans un plat micro-ondable.
- Remettez toujours l'anneau du plateau tournant et le plateau en verre dans leurs positions appropriées.
- L'anneau du plateau tournant doit toujours être utilisé pour la cuisson avec le plateau en verre.

### 2.15 Pacemakers

#### MISE EN GARDE

Pour éviter la défaillance d'un stimulateur cardiaque, consultez le médecin ou le fabricant du stimulateur cardiaque à propos des effets de l'énergie micro-ondes sur le stimulateur cardiaque.

### 2.16 Mises en garde conformément à la proposition 65 de l'État de Californie

Ce produit pourrait contenir un produit chimique reconnu par l'État de la Californie comme cancérigène ou ayant des effets nocifs sur la reproduction. Par conséquent, vous pourriez devoir apposer l'étiquette suivante sur l'emballage du produit comme requis par la Californie :

AVERTISSEMENT ISSUE DE LA PROPOSITION 65 DE L'ÉTAT DE LA CALIFORNIE :

 **AVERTISSEMENT**

Cancer et dommages à la reproduction -  
[www.P65Warnings.ca.gov](http://www.P65Warnings.ca.gov)

# CONSERVEZ CES INSTRUCTIONS.

## 3 Prévenir les bris matériels

### 3.1 Généralités

Suivez ces instructions lorsque vous utilisez l'appareil.

#### AVIS :

Le métal, comme une cuillère dans un verre, doit être maintenu à au moins 1 po (25 mm) des parois de la cavité de l'appareil et de l'intérieur de la porte.

- ▶ Des étincelles pourraient endommager irrévocablement le verre à l'intérieur de la porte.

Lorsque la cavité de l'appareil est chaude, toute eau à l'intérieur créera de la vapeur. Le changement de température peut provoquer des dommages.

- ▶ Ne versez jamais d'eau dans la cavité de l'appareil lorsqu'elle est encore chaude.
- ▶ Ne placez jamais d'ustensiles de cuisine contenant de l'eau sur le fond de la cavité de l'appareil.

La présence prolongée d'humidité dans la cavité de l'appareil entraîne la corrosion.

- ▶ Essuyez toujours la condensation après la cuisson.
- ▶ Ne gardez pas longtemps des aliments humides dans la cavité de l'appareil avec la porte fermée.
- ▶ Ne stockez pas d'aliments dans la cavité de l'appareil.

Les jus de fruits peuvent laisser des taches dans la cavité de l'appareil.

- ▶ Retirez toujours le jus de fruit immédiatement quand il est sécuritaire de le toucher et essuyez-le d'abord avec un chiffon humide, puis sec.

Laisser l'appareil refroidir avec la porte ouverte endommagera le devant des éléments de cuisine voisins au fil du temps.

- ▶ Laissez toujours la cavité de l'appareil refroidir avec la porte fermée après la cuisson à des températures élevées. Ne laissez la cavité de l'appareil sécher avec la porte ouverte que si beaucoup d'humidité a été produite pendant le fonctionnement.

Si le joint est très sale, la porte de l'appareil ne se fermera pas correctement lorsque l'appareil est en marche. Cela pourrait endommager l'avant des unités de cuisine adjacentes.

- ▶ Gardez le joint propre en tout temps.
- ▶ Ne faites pas fonctionner l'appareil si le joint est endommagé ou manquant. Ne faites pas fonctionner l'appareil si le joint est endommagé ou manquant.

S'asseoir ou placer des objets sur la porte de l'appareil peut l'endommager.

- ▶ Ne placez pas et ne suspendez pas d'objets sur la porte de l'appareil.
- ▶ Ne placez pas d'ustensiles de cuisine ou d'accessoires sur la porte de l'appareil.

Avec certains modèles, les accessoires peuvent rayer la vitre de la porte lors de la fermeture de la porte de l'appareil.

- ▶ Poussez toujours complètement les accessoires dans la cavité de l'appareil.

Le transport de l'appareil par la poignée de porte pourrait le casser. La poignée de porte ne peut pas supporter le poids de l'appareil.

- ▶ Ne pas porter ou tenir l'appareil par la porte.

Le fonctionnement du micro-ondes sans aliment dans la cavité de l'appareil pourrait occasionner une surcharge.

- ▶ Ne faites jamais fonctionner le micro-ondes s'il n'y a pas d'aliments dans la cavité de l'appareil. La seule exception à la règle : un court test de plats de cuisson.

→ "Guide des ustensiles pour micro-ondes", Page 47

Réglez toujours la puissance du micro-ondes tel que recommandé pour l'aliment. Des réglages à trop forte puissance peuvent très rapidement surchauffer les aliments.

Ne surchargez pas le plateau tournant, sinon il risque de sauter.

## 4 Protection de l'environnement et économies

### 4.1 Mise au rebut de l'emballage

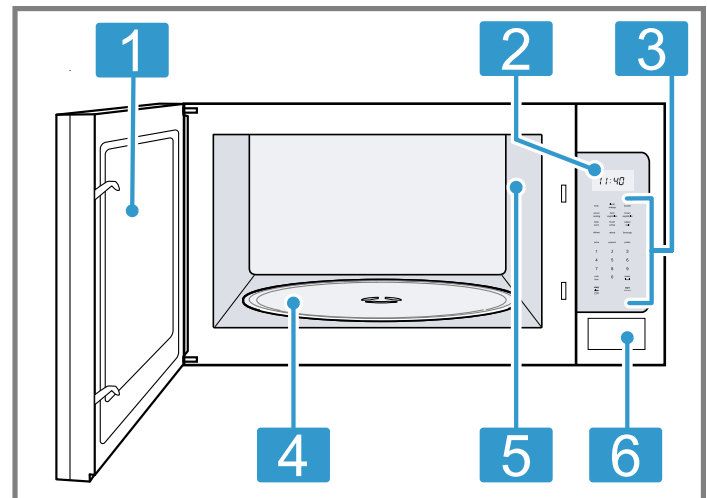
Les matériaux d'emballage sont écologiques et recyclables.

- ▶ Veuillez éliminer les pièces détachées après les avoir triées par matières.

## 5 Description de l'appareil

### 5.1 Électroménager

Cette section contient une vue d'ensemble des composants de votre appareil.



1 Porte de l'appareil

2 Affichage

4 Plaque tournante

5 Éclairage de la cavité de l'appareil (DEL)

6 Bouton d'ouverture de porte



## Ventilateur de refroidissement

Le ventilateur de refroidissement est en marche dans tous les modes de cuisson.

Le ventilateur peut être entendu lorsqu'il est en marche et de l'air chaud peut être ressenti lorsqu'il sort de l'évent de l'appareil. Le ventilateur peut également fonctionner après l'arrêt de l'appareil.

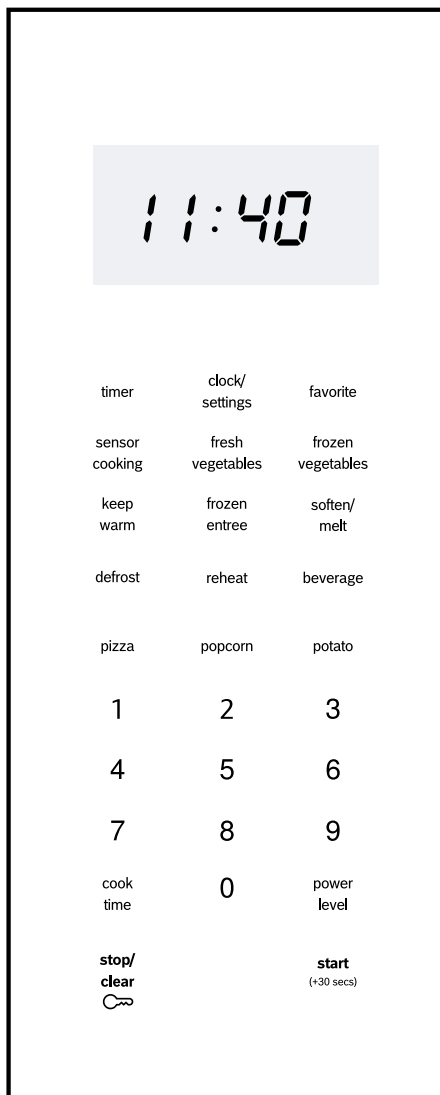
## Éclairage de la cavité de l'appareil (DEL)

La lumière de la cavité de l'appareil s'éteint pour économiser de l'énergie après 10 minutes avec la porte ouverte.

Pour rallumer l'éclairage, fermez la porte et ouvrez-la de nouveau.

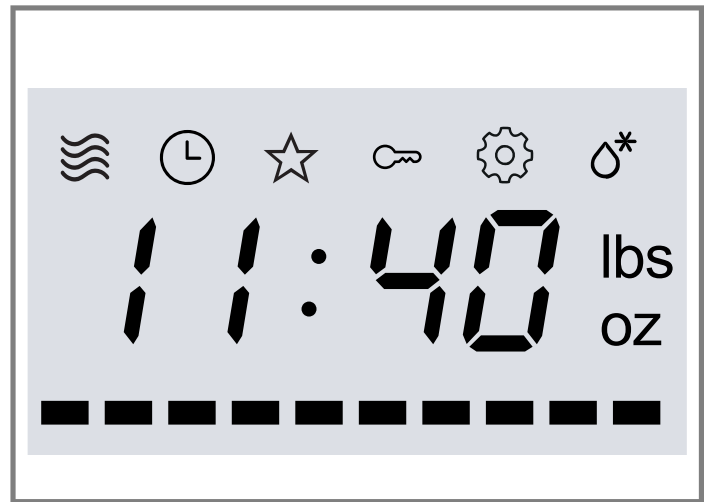
## 5.2 Panneau de commande

Le bandeau de commande vous permet de configurer toutes les fonctions de votre appareil et d'obtenir des informations sur son état de fonctionnement.



## Affichage

L'écran affiche les paramètres et les fonctions actifs. Les éléments d'affichage clignotants indiquent qu'une saisie est requise.



Symbole	Fonction
	Micro-ondes
	Minuterie de cuisine/ Horloge
	Favori
	Verrouillage du panneau/ Verrouillage de la porte
	Point de menu des réglages de base
	Décongélation
.....	Barre d'état
00:00	Affichage numérique pour temps, température ou poids selon l'unité qui est affichée à côté
lbs/oz	L'affichage numérique montre le poids en onces/livres

## Touches tactiles

Les touches tactiles sont des zones sensibles au toucher. Activez une fonction en appuyant brièvement sur la touche tactile correspondante.

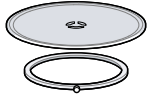
Lorsque vous appuyez sur une touche tactile, un bref bip de confirmation retentit. Un bip long signifie que vous avez effectué une saisie invalide.

Bouton	Fonction
0 - 9	Utilisez les touches numérotées pour entrer des valeurs personnalisées
start (+30 secs)	Confirmez l'entrée, démarrez l'opération
stop/clear	<ul style="list-style-type: none"> <li>■ Effacez la valeur saisie, éteignez l'appareil</li> <li>■ Porte ouverte pendant le fonctionnement</li> </ul>
power level	Réglez le niveau de puissance pour le fonctionnement du micro-ondes

<b>Bouton</b>	<b>Fonction</b>
start (+30 secs)	Ajoutez 30 secondes à la minuterie du micro-ondes
timer	Régler la minuterie de cuisine
popcorn	Préparez le pop-corn, sélectionnez la taille du paquet de pop-corn
beverage	Chauffez une boisson, sélectionnez la taille de la boisson
potato	Cuire les pommes de terre
keep warm	Régler la fonction de maintien au chaud
reheat	Réchauffez l'aliment avec les réglages automatiques
defrost	Décongélez les aliments avec les réglages automatiques
sensor cooking	Faites cuire les aliments avec les réglages automatiques
favorite	Configurez jusqu'à trois paramètres de micro-ondes pour un accès rapide
clock/settings	Réglez l'heure du jour Entrez dans le menu des réglages de base
fresh vegetables	Cuire des légumes frais
frozen vegetables	Cuire des légumes surgelés
pizza	Cuire différents types de pizza
frozen entree	Cuire différents types de plats surgelés
soften/melt	Ramollir ou faire fondre différents types d'aliments

## 6 Accessoires

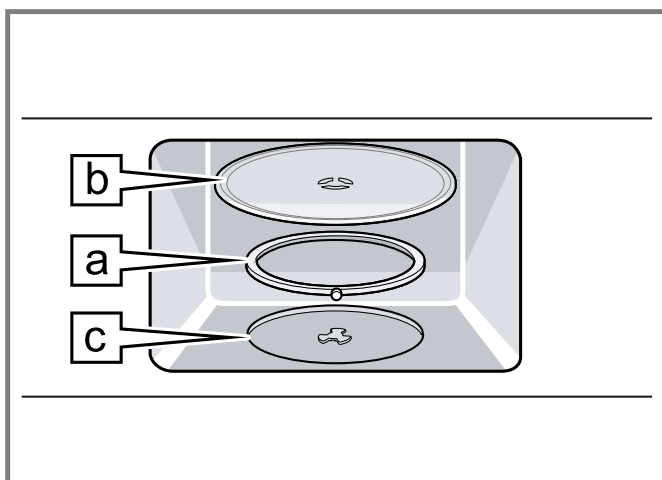
Utilisez uniquement des accessoires d'origine. Ils ont été spécialement conçus pour votre appareil.  
Les accessoires fournis peuvent différer selon le modèle d'appareil.

Accessoires		Utilisation
Plateau tournant en verre avec anneau de roulement		Ne faites pas fonctionner l'appareil sans le plateau tournant et l'anneau de roulement en place. → "Montage du plateau tournant du plateau en verre", Page 43

### 6.1 Montage du plateau tournant du plateau en verre

N'utilisez pas l'appareil si la plaque tournante n'est pas en place.

1. Placer l'anneau à roulement **a** dans le renforcement de la cavité de l'appareil.
2. Laissez la fente **b** du plateau tournant en place dans le lecteur **c** au centre du fond de la cavité de l'appareil.



3. Assurez-vous que le plateau tournant est correctement enclenché et tourne librement lorsque le micro-ondes est en marche.

## 7 Avant d'utiliser pour la première fois

Effectuez ces étapes avant d'utiliser votre appareil.

- L'appareil doit être correctement installé par un prestataire de services qualifié avant l'utilisation.
- Lisez et comprenez toutes les précautions et informations de sécurité dans le manuel avant de l'utiliser.

### 7.1 Nettoyage de l'appareil avant sa première utilisation

**Remarque :** L'appareil doit être complètement monté et branché avant de l'utiliser pour la première fois.

1. Retirez tous les matériaux d'emballage à l'intérieur et à l'extérieur de l'appareil.

2. Avant de chauffer l'appareil, essuyez les surfaces dans la cavité de l'appareil avec un chiffon propre et humide et séchez.
3. Nettoyez les accessoires avec de l'eau savonneuse et un chiffon doux.

**Remarque :** Il peut y avoir une légère odeur aux premières utilisations. Ceci est normal et disparaîtra.

### 7.2 Application de l'étiquette du programme

- ▶ Appliquez l'étiquette de programme incluse dans la langue souhaitée sur le côté de la cavité de l'appareil. Voir l'étiquette du programme pour les instructions.

### 7.3 Réglage de l'heure du jour

L'horloge peut être réglée en mode 12 heures ou 24 heures.

**Remarque :** Vous pouvez modifier le format de l'horloge dans les paramètres de base.

→ "Réglages de base", Page 46

1. Touchez **clock/settings** une fois.
  - ✓ **CLOCK** et **⌚** s'allument.
2. Touchez **start**.
3. Entrez l'heure de la journée à l'aide des touches numériques. Le temps se remplit de droite à gauche.  
Exemple : Pour régler l'horloge sur 9 h 41, saisissez 0 9 4 1.
4. Toucher **clock/settings** pour confirmer.
  - ✓ L'heure du jour est affichée.

## 8 Se familiariser avec la serrure de sécurité pour enfants

L'appareil est équipé d'un verrou de sécurité pour enfants afin d'éviter tout risque pour les enfants ou les personnes inexpérimentées. La sécurité enfants de la porte est active pendant le fonctionnement de l'appareil. Pour ouvrir la porte de l'appareil pendant le fonctionnement, vous pouvez la déverrouiller temporairement et interrompre le fonctionnement.

1. Touchez **stop/clear**.

- ✓ La porte est déverrouillée pendant 10 secondes.
- ✓ L'opération est interrompue.
- 2. Appuyez sur le bouton d'ouverture de porte.
- ✓ *door* est affiché.
- 3. Pour reprendre le fonctionnement, fermez la porte de l'appareil et touchez **start (+30 secs)**.
- ✓ La porte est à nouveau verrouillée. *lock* est affiché.

#### Remarques

- Si aucun enfant ou personne inexpérimentée ne vit dans votre foyer, vous pouvez désactiver la fonction de verrouillage de la porte dans les paramètres de base.  
→ "Réglages de base", Page 46
- Si vous appuyez sur le bouton d'ouverture de porte pendant le fonctionnement sans déverrouiller la porte au préalable, le fonctionnement sera mis en pause. Touchez **start (+30 secs)** pour reprendre le fonctionnement.

---

## 9 Opération de base

### 9.1 Réglage du micro-ondes

**Exigence** : L'appareil est éteint.

1. Touchez **cook time**.
2. Entrez le temps de cuisson souhaité à l'aide des touches numériques. L'affichage de la minuterie se remplit de droite à gauche.  
Exemple : Pour définir un temps de cuisson au micro-ondes de 5 minutes et 30 secondes, saisissez 5 3 0.
3. Pour démarrer le fonctionnement du micro-ondes avec le niveau de puissance par défaut 10, appuyez sur **start (+30 secs)**.
4. Pour régler le niveau de puissance, touchez **power level**.
  - ✓ Le niveau de puissance par défaut *PL 10* clignote.
  - ✓ Les segments de la barre d'état indiquent également le niveau de puissance.
5. Touchez **power level** plusieurs fois ou entrez le niveau de puissance souhaité à l'aide des touches numériques.
  - ✓ *PL* et le niveau de puissance sélectionné clignotent sur l'écran.
6. Touchez **start (+30 secs)** pour lancer le fonctionnement du micro-ondes.

#### Niveaux de puissance du micro-ondes

Vous trouverez ici un aperçu des différents réglages de puissance des micro-ondes et quand les utiliser.

- ✓ *⏏* clignote.
- ✓ Le temps de cuisson commence à décompter.
- ✓ Lorsque le temps de cuisson est écoulé, *End* est affiché. L'appareil émet deux bips.
- 7. Touchez **stop/clear**.
  - ✓ L'appareil s'éteint et l'heure du jour s'affiche.

#### Ajout de temps de cuisson (+ 30 secondes)

Vous pouvez ajouter du temps de cuisson pendant que le micro-ondes fonctionne.

1. Touchez **start (+30 secs)**.
  - ✓ 30 secondes sont ajoutées au temps de cuisson.
2. Toucher **start (+30 secs)** pendant que l'appareil est éteint, le micro-ondes démarre au niveau de puissance 10 avec un temps de cuisson de 30 secondes.

#### Modification du niveau de puissance

Vous pouvez modifier le niveau de puissance du micro-ondes pendant le fonctionnement.

1. Touchez **power level**.
  - ✓ Le niveau de puissance actuel clignote.
2. Entrez le niveau de puissance souhaité avec les touches numérotées.
  - ✓ *PL* et le niveau de puissance sélectionné clignotent sur l'écran.
3. Touchez **start (+30 secs)** pour reprendre le fonctionnement du micro-ondes.

#### Mise en pause

1. Touchez **stop/clear** une fois.
  - ✓ Le temps de cuisson est mis en pause.
2. Pour reprendre l'opération, touchez **start**.

**Remarque** : Les programmes de cuisson par capteur ne peuvent pas être mis en pause, ils seront annulés lorsque vous touchez **stop/clear** une fois.

#### Annulation de l'opération

- ▶ Touchez **stop/clear** deux fois.
  - ✓ Le mode de fonctionnement actif est annulé.
  - ✓ L'appareil s'éteint et l'heure du jour s'affiche.
  - ✓ Le ventilateur de refroidissement peut fonctionner pendant un certain temps, puis s'arrêter automatiquement.

Niveau de puissance	Puissance du micro-ondes	Utiliser pour
10	100%	<ul style="list-style-type: none"> <li>■ Bouillir de l'eau</li> <li>■ Cuire de la viande hachée</li> <li>■ Cuire des fruits et légumes frais</li> <li>■ Cuire du poisson et de la volaille</li> <li>■ Préchauffer un plat à dorer</li> <li>■ Réchauffer des boissons</li> <li>■ Cuire des tranches de bacon</li> </ul>
9	90%	<ul style="list-style-type: none"> <li>■ Réchauffer rapidement des tranches de viande</li> <li>■ Sauter des oignons, céleris et poivrons verts</li> </ul>
8	80%	<ul style="list-style-type: none"> <li>■ Réchauffage général</li> <li>■ Cuire des œufs brouillés</li> </ul>
7	70%	<ul style="list-style-type: none"> <li>■ Cuire des pains et des produits céréaliers</li> <li>■ Cuire des plats de fromage</li> <li>■ Cuire des muffins, des gâteaux au chocolat et des petits gâteaux</li> <li>■ Cuire une volaille entière</li> </ul>
6	60%	<ul style="list-style-type: none"> <li>■ Cuire des pâtes</li> </ul>
5	50%	<ul style="list-style-type: none"> <li>■ Cuire de la viande</li> <li>■ Cuire de la crème pâtissière</li> <li>■ Cuire des côtes levées, du rôti de bœuf et du rôti de surlonge</li> </ul>
4	40%	<ul style="list-style-type: none"> <li>■ Cuire des coupes de viande moins tendres</li> <li>■ Réchauffer des aliments préparés surgelés</li> <li>■ Chocolat fondant</li> </ul>
3	30%	<ul style="list-style-type: none"> <li>■ Décongeler de la viande, de la volaille et des fruits de mer</li> <li>■ Cuire de petites quantités d'aliments</li> <li>■ Terminer la cuisson de casseroles, de plats mijotés et de certaines sauces</li> </ul>
2	20%	<ul style="list-style-type: none"> <li>■ Ramollir du beurre et du fromage à la crème</li> </ul>
1	10%	<ul style="list-style-type: none"> <li>■ Ramollir de la crème glacée</li> <li>■ Faire lever de la pâte à levure</li> </ul>

### Suggestions pour de meilleurs résultats lors de la cuisson au micro-ondes

Suivez ces suggestions pour vous aider à obtenir les meilleurs résultats possibles avec votre four à micro-ondes.

Température de rangement	Les aliments sortis du congélateur ou du réfrigérateur mettent plus de temps à cuire.	Remuer les aliments pendant la cuisson	Brassez les aliments comme les casseroles et les légumes de l'extérieur au centre pour distribuer la chaleur de façon plus uniforme. Cela vous permettra de cuire l'aliment plus rapidement. Un brassage constant n'est pas nécessaire.
Taille	Pour des résultats uniformes : <ul style="list-style-type: none"> <li>■ Les petits morceaux cuisent plus rapidement que les gros.</li> <li>■ Cuire des morceaux de taille et de forme similaires ensemble.</li> <li>■ Réduisez le niveau de puissance lors de la cuisson de gros morceaux de nourriture.</li> </ul>	Retourner la nourriture	Retournez les aliments tels que les côtelettes de porc, les rôtis ou le chou-fleur entier à mi-cuisson. Cela aidera à exposer tous les côtés de façon uniforme à l'énergie micro-ondes.
Humidité naturelle	Les aliments très humides cuisent de façon plus uniforme du fait que l'énergie du micro-ondes chauffe les molécules d'eau de façon très efficace.	Où placer la nourriture sur le plateau tournant	Placez les parties délicates des aliments, comme les pointes d'asperge, vers le centre de la plaque tournante.
		Disposer les aliments de formes inégales	Disposez les aliments de forme uniforme, comme les morceaux de poulet ou le saumon, avec les parties plus épaisses, plus charnues vers l'extérieur de la plaque tournante.

Laissez les aliments reposer	Après avoir retiré les aliments du micro-ondes : <ul style="list-style-type: none"> <li>■ couvrez l'aliment de feuilles d'aluminium ou d'un couvercle de casserole et laissez-le reposer pour terminer la cuisson. Cela aidera les aliments à terminer la cuisson au centre et évitera de trop cuire les bords extérieurs.</li> <li>■ La durée du temps de repos dépend de la densité et de la surface des aliments.</li> </ul>
Emballer les aliments	Enveloppez les sandwichs et autres types d'aliments contenant du pain précuit dans du papier absorbant ou du papier ciré avant de les placer dans l'appareil. Cela permet d'éviter que les aliments ne se dessèchent pendant le chauffage.

## 9.2 Réglage de la minuterie de cuisine

Vous pouvez régler une minuterie de cuisine jusqu'à 99 minutes et 59 secondes.

### 1. Touchez **timer**.

- ✓ s'allume.
- ✓ clignote.

### 2. Entrez le temps souhaité à l'aide des touches numérotées.

Les chiffres se remplissent de droite à gauche. Pour régler le minuteur sur 5 minutes et 30 secondes, saisissez « 5 3 0 ».

### 3. Touchez **start**.

- ✓ La minuterie de cuisine commence le compte à rebours.
- ✓ Lorsque le minuteur de cuisine est écoulé, **End** est affiché. L'appareil émet deux bips.

### 4. Touchez **stop/clear**.

- ✓ L'heure du jour est affichée.

## Annuler la minuterie de cuisine

- ▶ Touchez **timer** ou ouvrez la porte de l'appareil.

## 9.3 Verrouillage du panneau

La fonction de verrouillage du panneau est également très utile lorsque vous nettoyez le panneau de commande. Le verrouillage empêchera la programmation accidentelle lorsque vous essuyez le panneau de commande pour le nettoyer.

**Exigence** : L'appareil est éteint.

### 1. Activation du panneau de verrouillage :

- Touchez et maintenez **stop/clear** pendant plus de 3 secondes.
- s'allume à l'écran, 2 bips retentissent. L'heure de la journée n'est pas affichée.

### 2. Désactivation du panneau de verrouillage :

- Touchez et maintenez **stop/clear** pendant plus de 3 secondes.
- s'éteint.

## 9.4 Favoris

Vous pouvez stocker jusqu'à trois paramètres pour la cuisson au micro-ondes pour un accès rapide.

### Stockage des favoris

#### 1. Touchez **favorite**.

- ✓ et s'allument.
- ✓ Les deux premières barres de la barre d'état clignotent.

#### 2. Touchez **cook time**.

#### 3. Entrez le temps de cuisson souhaité avec les touches numérotées.

#### 4. Touchez **power level**.

#### 5. Réglez le niveau de puissance souhaité avec les touches numérotées.

#### 6. Touchez **favorite**.

- ✓ Le réglage favori est enregistré.

#### 7. Pour entrer un deuxième et un troisième réglage favori, commencez par toucher **favorite** 2 ou 3 fois, puis effectuez les étapes décrites.

### Utiliser les favoris

#### 1. Touchez **favorite**.

- ✓ et s'allument.
- ✓ Les deux premières barres de la barre d'état clignotent.

#### 2. Touchez **favorite** à nouveau pour appeler le deuxième ou le troisième réglage favori.

#### 3. Touchez **start**.

- ✓ La barre d'état affiche le niveau de puissance stocké.
- ✓ Le temps de cuisson enregistré commence à décompter.
- ✓ Lorsque le temps de cuisson est écoulé, l'appareil émet un bip.

#### 4. Touchez **stop/clear**

- ✓ L'appareil s'éteint et l'heure du jour s'affiche.

## 9.5 Réglages de base


Vous pouvez modifier les réglages de base de votre appareil en fonction de vos besoins.

### Présentation des paramètres de base

Réglage	Affichage/options
Temps de la journée	 Entrez l'heure de la journée avec les touches numériques
Sons de pression sur les touches	: <ul style="list-style-type: none"> <li>■ <i>on</i> - En marche</li> <li>■ <i>off</i> - Arrêt</li> </ul>
Niveau sonore du signal	: <ul style="list-style-type: none"> <li>■ <i>L1</i> - le plus bas</li> <li>■ <i>L2</i></li> </ul>

Réglage	Affichage/options
	<ul style="list-style-type: none"> <li>■ L3</li> <li>■ L4</li> <li>■ L5 - le plus élevé</li> </ul>
Format de l'heure	Sélectionnez le format 12 ou 24 heures <ul style="list-style-type: none"> <li>■ 24hr</li> <li>■ 12hr</li> </ul>
Mode démo	dE: <ul style="list-style-type: none"> <li>■ ON - En marche</li> <li>■ OF - Arrêt</li> </ul>
Serrure de sécurité pour enfants	dL: <ul style="list-style-type: none"> <li>■ ON - En marche</li> <li>■ OF - Arrêt</li> </ul> <p><b>Remarque :</b> Si vous désactivez le verrouillage de la porte pour votre propre situation de vie, veillez à réactiver le verrouillage de la porte pour les nouveaux propriétaires de l'appareil.</p>

### Modification des réglages de base

1. Touchez **clock/settings** une fois pour changer l'heure de la journée.  
→ "Réglage de l'heure du jour", Page 43
2. Pour modifier tous les autres paramètres, touchez **clock/settings** deux fois.
  - ✓ SEtE et  s'affichent.
3. Touchez **start (+30 secs)** pour accéder au menu des paramètres de base.
  - ✓ Sd:ON clignote.
4. Touchez **clock/settings** plusieurs fois jusqu'à ce que le réglage de base souhaité s'affiche.
5. Touchez **start (+30 secs)**.
  - ✓ La valeur actuelle du réglage de base sélectionné clignote.
6. Touchez **clock/settings** à plusieurs reprises jusqu'à ce que la valeur de réglage souhaitée s'affiche.
7. Touchez **start (+30 secs)** pour confirmer et quitter le menu des paramètres.
8. Pour modifier un autre paramètre de base, recommencez la procédure depuis le début.

## 9.6 Guide des ustensiles pour micro-ondes

Lisez ici pour voir si vos ustensiles de cuisine peuvent être utilisés dans le four à micro-ondes.

### Plats de cuisson convenables

Plats allant au four	Exemples
Verre thermorésistant, verre-céramique et faïence	Plats utilitaires, plats pour pain de viande, moules à tarte, moules à gâteau, tasses à mesurer les liquides, casseroles et bols sans garniture métallique tel que, Pyrex <sup>MD</sup> , Anchor Hocking <sup>MC</sup> , Corning Ware <sup>MD</sup> , Emile Henry, etc. <sup>1</sup>
Chine	Bols, tasses, plats de service et plateaux sans garniture métallique.
Emballages et pellicules plastique	Pellicule plastique, comme couverture : <ul style="list-style-type: none"> <li>■ Posez la pellicule plastique sur le plat et appuyez dessus sur les côtés.</li> <li>■ Aérez l'emballage plastique en retroussant légèrement un bord pour permettre à la vapeur excessive de s'échapper.</li> <li>■ Le plat devrait être suffisamment profond de manière à ce que l'emballage plastique ne touche pas l'aliment.</li> </ul>
Plastiques propres à la cuisson au micro-ondes	Utilisez des plats, des tasses, des contenants de congélation semi-rigides et des sacs de plastique propres à une utilisation au micro-ondes pour de courts temps de cuisson. Utilisez-les avec soin car le plastique pourrait se ramollir à cause de la chaleur générée par l'aliment.
Produits de papier	Essuie-tout, papier ciré, papier parchemin, serviettes de table et plats de papier sans garniture métallique ou dessin. Reportez-vous à l'étiquette du fabricant pour connaître les instructions spéciales d'utilisation dans le four à micro-ondes.

<sup>1</sup> Ces marques sont des marques déposées de leurs propriétaires respectifs. Toutes les autres marques sont des marques de BSH Home Appliances Corporation ou ses sociétés affiliées.

### Plats de cuisson inappropriés

Plats allant au four	Exemples
Ustensiles et batterie de cuisine en métal	Évitez le métal dans la cavité de l'appareil : <ul style="list-style-type: none"> <li>■ Le métal protège l'aliment de l'énergie micro-ondes et produit une cuisson inégale.</li> </ul>

Plats allant au four	Exemples
	<ul style="list-style-type: none"> <li>■ Par ailleurs, évitez les brochettes métalliques, les thermomètres ou les plateaux en aluminium.</li> <li>■ Les ustensiles métalliques peuvent provoquer la production d'arcs électriques pouvant endommager le four à micro-ondes.</li> </ul>
Décoration métallique	Bols, tasses, plats de service et plateaux avec garniture métallique.
Papier d'aluminium	Évitez les grandes feuilles d'aluminium car elles nuisent à la cuisson et pourrait provoquer la production dangereuse d'arcs électriques. Utilisez de petits morceaux de feuille d'aluminium pour protéger les ailes et les cuisses de poulet. Gardez TOUTE la feuille d'aluminium à au moins 1 po (25 mm) des parois latérales de la cavité de l'appareil et de la porte de l'appareil.
Bois	Les bols et les plateaux de bois s'assècheront et pourraient se fissurer ou se fendre si vous les utilisez dans le four à micro-ondes. Les paniers fabriqués de bois réagiront de la même manière.
Ustensiles de cuisine bien couverts	Laissez la vapeur s'échapper : <ul style="list-style-type: none"> <li>■ Assurez-vous de laisser des ouvertures pour permettre à la vapeur de s'échapper du plat de cuisson couvert.</li> <li>■ Percez les pochettes de plastique de légumes ou d'autres aliments avant leur cuisson.</li> <li>■ Les pochettes trop serrées peuvent éclater.</li> </ul>
Papier brun	Évitez d'utiliser des sacs de papier brun d'emballage. Ils absorbent la chaleur et peuvent brûler.
Ustensiles de cuisson endommagés ou écaillés	Des ustensiles fissurés, défectueux ou ébréchés peuvent se briser dans l'appareil.
Attaches métalliques	Retirez les attaches métalliques des sacs de papier ou de plastique. Ils deviennent chauds et pourraient s'enflammer.

## Test de l'aptitude des ustensiles au micro-ondes

Effectuez le test suivant si vous ne savez pas si votre vaisselle est adaptée à une utilisation au micro-ondes. N'allumez pas le micro-ondes s'il n'y a pas de nourriture à l'intérieur. Ce test de vaisselle est la seule exception à cette règle.

1. Chauffez les plats vides à puissance maximale pendant ½ à 1 minute.
  2. Vérifier la température à l'occasion au cours de cette période.
- ✓ La vaisselle doit être encore froide ou chaude au toucher.
  - ✓ La vaisselle ne convient pas si elle devient chaude ou si des étincelles se produisent.

## 10 Capteur de cuisson

Avec la cuisson par capteur, vous pouvez cuisiner différents types d'aliments sans sélectionner les temps de cuisson ni les niveaux de puissance. Le four à micro-ondes détermine automatiquement le temps de cuisson requis pour chaque aliment.

Pour les meilleurs résultats :

- Les aliments cuits avec le système à capteurs devraient être cuits à partir de leur température de rangement normale.
- Le plateau tournant, le plateau en verre et l'extérieur du récipient doivent être secs.
- Les aliments doivent toujours être couverts lâchement avec de la pellicule en plastique, du papier ciré ou un couvercle convenant aux micro-ondes.
- N'ouvrez pas la porte et ne touchez pas **stop/clear** lors de la détection. Lorsque la détection est terminée, le four émet deux bips et le temps de cuisson restant s'affiche à l'écran. **Vous pouvez alors ouvrir la porte pour mélanger, retourner ou redisposer l'aliment.**

### 10.1 Régler la cuisson par capteur

Vous pouvez sélectionner 4 types d'aliments différents dans le menu de cuisson par capteur.

1. Touchez **sensor cooking**.

✓ **SC** s'allume.

2. Touchez **sensor cooking** à plusieurs reprises jusqu'à ce que le numéro de programme souhaité s'affiche.

Reportez-vous à l'étiquette de menu au bas de la cavité de l'appareil ou consultez le tableau des programmes dans ce manuel.

3. Touchez **start**.

✓ **SC** est affiché.

✓ Le programme calcule automatiquement le temps de cuisson.

✓ Une fois le programme terminé, 2 bips retentissent. **End** est affiché.

4. Touchez **stop/clear**.

✓ L'appareil s'éteint et l'heure du jour s'affiche.



**Programmes de cuisson par capteur**

Numéro du programme	Aliment	Quantité	Recommandations pour la cuisson
5C1	Viande hachée	8 - 32 oz 0,5 - 2 lb	Après la cuisson, laisser reposer couvert pendant 3 à 4 minutes.
5C2	Poisson/Fruits de mer	8 - 32 oz 0,5 - 2 lb	Rouler les extrémités minces vers l'intérieur. Disposer en cercle autour d'un plat allant au micro-ondes.
5C3	Riz brun	1 - 2 tasses de riz sec	Utiliser une casserole à rebord élevé et un couvercle. Utiliser 1 tasse de riz pour 3 tasses d'eau. Après la cuisson, laissez reposer 10 minutes hors du micro-ondes avec le couvercle légèrement ouvert. Remuer pendant 2 minutes.
5C4	Riz blanc	1 - 2 tasses de riz sec	Utiliser une casserole à rebord élevé et un couvercle. Utiliser 1 tasse de riz pour 3 tasses d'eau.

**10.2 Pommes de terre**

Ce programme cuit automatiquement 1 à 4 pommes de terre (8 à 32 oz).

Numéro de programme	Nourriture/Quantité
1	Pomme de terre au four 1 à 4 pommes de terre (8 à 32 oz.)
2	Patate douce 1 à 4 pommes de terre (8 à 32 oz.)

**Régler la fonction pomme de terre**

- Piquer les pommes de terre à la fourchette plusieurs fois.
- Touchez **potato**.  
✓ 1 est affiché.
- Touchez **potato** à plusieurs reprises jusqu'à ce que le numéro du type d'aliment souhaité s'affiche.
- Touchez **start (+30 secs)**.  
✓ 5C est affiché.  
✓ Le programme calcule automatiquement le temps de cuisson.  
✓ Une fois le programme terminé, 2 bips retentissent. *End* est affiché.
- Touchez **stop/clear**.  
✓ L'appareil s'éteint et l'heure du jour s'affiche.
- Laissez les pommes de terre reposer pendant 3 à 5 minutes après la cuisson.

**Remarques**

- Placez les pommes de terre sur le plateau tournant en forme de rayons.
- Laissez l'appareil refroidir pendant au moins 5 minutes avant de le réutiliser.

**10.3 Légumes surgelés**

Cette fonction vous permet de cuire 8 à 24 oz. de légumes surgelés automatiquement.

Ajouter 1 cuillère à soupe d'eau par 4 oz (113 g) de légumes congelés.

**Préparation des légumes surgelés**

- Touchez **frozen vegetables**.
- Touchez **start**.  
✓ 5C est affiché.  
✓ Le programme calcule automatiquement le temps de cuisson.  
✓ Une fois le programme terminé, 2 bips retentissent. *End* est affiché.
- Touchez **stop/clear**.  
✓ L'appareil s'éteint et l'heure du jour s'affiche.

**10.4 Légumes frais**

Cette fonction vous permet de cuire 8 à 24 oz. de légumes frais automatiquement.

Ajouter 2<sup>o</sup> cuillères à soupe d'eau par 8<sup>o</sup>oz (227<sup>o</sup>g) de légumes frais. Ne pas ajouter d'eau si les légumes viennent d'être lavés.

**Réglage des légumes frais**

- Touchez **fresh vegetables**.
- Touchez **start**.  
✓ 5C est affiché.  
✓ Le programme calcule automatiquement le temps de cuisson.  
✓ Une fois le programme terminé, 2 bips retentissent. *End* est affiché.
- Touchez **stop/clear**.  
✓ L'appareil s'éteint et l'heure du jour s'affiche.

## 10.5 Réchauffer

En mode réchauffage, vous pouvez choisir parmi 7 types d'aliments différents à réchauffer.

Numéro du programme	Nourriture/Quantité
<i>rEH1</i>	Casserole, pâtes 1 - 4 portions
<i>rEH2</i>	Poulet 0,5 - 1,0 lb
<i>rEH3</i>	Légumes 8 - 24 oz
<i>rEH4</i>	Steak, côtelettes 0,5 - 1,0 lb
<i>rEH5</i>	Riz 0,5 - 3,0 lb
<i>rEH6</i>	Soupe 1 - 2 tasses
<i>rEH7</i>	Plat de nourriture 1 plat

### Réglage du réchauffage

- Touchez **reheat**.  
✓ *rEH1* est affiché.
- Touchez **reheat** à plusieurs reprises jusqu'à ce que le numéro du type d'aliment souhaité s'affiche.
- Touchez **start**.  
✓ *SC* est affiché.  
✓ Le programme calcule automatiquement le temps de cuisson.  
✓ Une fois le programme terminé, 2 bips retentissent. *End* est affiché.
- Touchez **stop/clear**.  
✓ L'appareil s'éteint et l'heure du jour s'affiche.

### Recommandations pour le réchauffage

Aliment	Recommandations
Assiette de diner	<ul style="list-style-type: none"> <li>Utilisez uniquement des aliments réfrigérés précuits.</li> <li>Couvrez l'assiette avec une pellicule de plastique ou du papier ciré aéré, rangé sous l'assiette.</li> <li>Si les aliments ne sont pas assez chauds après avoir été chauffés avec la fonction <b>reheat</b>, continuez à chauffer en utilisant le réglage manuel de l'heure et du niveau de puissance.</li> </ul> Inclut : <ul style="list-style-type: none"> <li>Viande 3-4 oz, volaille ou poisson (jusqu'à 6 oz avec os)</li> <li>une demi-tasse de féculent (pommes de terre, pâtes, riz, etc.)</li> <li>1/2 tasse de légumes (environ 3-4 oz).</li> </ul>

Aliment	Recommandations
Casserole, pâtes	<ul style="list-style-type: none"> <li>Utilisez uniquement des aliments réfrigérés précuits.</li> <li>Plats à couvercle avec couvercle ou pellicule en plastique aérée.</li> <li>Si les aliments ne sont pas assez chauds après avoir été chauffés avec la fonction <b>reheat</b>, continuez à chauffer en utilisant le réglage manuel de l'heure et du niveau de puissance.</li> </ul> Inclut : <ul style="list-style-type: none"> <li>Aliments réfrigérés dans une casserole (comme un ragoût de bœuf ou une lasagne)</li> <li>Spaghetti et ravioli en boîte, aliments réfrigérés</li> </ul>

## 10.6 Entrée surgelée

Cette fonction vous permet de cuire 8 à 24 oz. d'entrées surgelées automatiquement. Suivre les instructions de l'emballage pour la ventilation, couper la pellicule de plastique, etc.

### Réglage d'une entrée surgelée

- Touchez **frozen entree**.
- Touchez **start**.  
✓ *SC* est affiché.  
✓ Le programme calcule automatiquement le temps de cuisson.  
✓ Une fois le programme terminé, 2 bips retentissent. *End* est affiché.
- Touchez **stop/clear**.  
✓ L'appareil s'éteint et l'heure du jour s'affiche.

## 10.7 Pizza

Cette fonction vous permet de réchauffer automatiquement 1 à 3 tranches de pizza.

### Réglage d'une pizza

- Touchez **pizza**.  
✓ *I* est affiché.
- Touchez **pizza** à plusieurs reprises jusqu'à ce que le nombre de tranches de pizza souhaité s'affiche.
- Touchez **start**.  
✓ *SC* est affiché.  
✓ Le programme calcule automatiquement le temps de cuisson.  
✓ Une fois le programme terminé, 2 bips retentissent. *End* est affiché.
- Touchez **stop/clear**.  
✓ L'appareil s'éteint et l'heure du jour s'affiche.

## 11 Programmes automatiques

Avec les différents programmes automatiques, vous pouvez utiliser des paramètres prédéfinis pour une variété d'aliments.

### 11.1 Boisson

Avec cette fonction, vous pouvez réchauffer 0,5 à 2 tasses d'une boisson.

Affichage	Quantité en tasses
8 oz	0,5
16 oz	1
24 oz	1,5
32 oz	2

#### Réglage de la fonction boisson

##### MISE EN GARDE

Les boissons chauffées avec la fonction de boisson peuvent être très chaudes.

- Soyez prudent au moment de retirer le contenant.

**Exigence** : Utilisez une tasse micro-ondable; ne couvrez pas.

- Touchez **beverage**.
  - ✓ 8 oz s'allume.
- Touchez sur **beverage** à répétition jusqu'à ce que la quantité souhaité s'affiche.
- Touchez **start**.
  - ✓ Le temps de cuisson est réglé automatiquement.
  - ✓ Une fois le programme terminé, 2 bips retentissent. *End* est affiché.
- Touchez **stop/clear**.
  - ✓ L'appareil s'éteint et l'heure du jour s'affiche.
- Remuer après chauffage.

**Remarque** : Laissez l'appareil refroidir pendant au moins 5 minutes avant de le réutiliser.

### 11.2 Popcorn

La fonction popcorn vous permet de faire éclater 3 tailles de sac différentes de popcorn pour micro-ondes emballé dans le commerce.

Affichage	Taille du sac
1.75 oz	1,75 oz.
3.0 oz (programme de capteur)	3,0 oz.
3.5 oz (programme de capteur)	3,5 oz.

#### Réglage de la fonction pop-corn

##### MISE EN GARDE

Ne laissez pas l'appareil sans surveillance lorsque vous faites éclater du maïs. Le popcorn pourrait s'enflammer et provoquer un incendie.

##### MISE EN GARDE

Soyez prudent lorsque vous retirez et ouvrez le sac de popcorn chaud de l'appareil.

- Touchez **popcorn**.
  - ✓ 1.75 oz s'affiche.
- Touchez **popcorn** à plusieurs reprises jusqu'à ce que la taille de sac souhaitée s'affiche.
- Touchez **start**.
  - ✓ Le temps de cuisson est réglé automatiquement.
  - ✓ Une fois le programme terminé, 2 bips retentissent. *End* est affiché.
- Touchez **stop/clear**.
  - ✓ L'appareil s'éteint et l'heure du jour s'affiche.

#### Remarques

- Laissez l'appareil refroidir pendant au moins 5 minutes avant de le réutiliser.
- Faites cuire un sac de popcorn « pour micro-ondes uniquement » à la fois.

### 11.3 Décongélation

Vous pouvez régler le mode Defrost (Décongélation) en entrant un temps ou un poids spécifique.

**Remarque** : Le niveau de puissance ne peut être modifié dans l'un ou l'autre des modes de décongélation car cela nuirait considérablement au rendement de décongélation.

##### AVERTISSEMENT

Pour éviter tout risque pour la santé, drainez du liquides qui seront produits lors de la décongélation de viande ou de volaille quand vous retournez les aliments. En aucune circonstance devriez-vous l'utiliser à d'autres fins ou lui permettre d'entrer en contact avec d'autres aliments.

Numéro de programme	Nourriture/Quantité
dEF1	Viande hachée 0,5 - 3,0 lb
dEF2	Morceaux de viande (steaks, côtelettes) 0,5 - 3,0 lb
dEF3	Morceaux de volaille 0,5 - 3,0 lb
dEF4	Décongeler selon le temps maximum. 99 minutes : 99 secondes

## Régler le dégivrage

1. Touchez **defrost**.  
✓ *dEF!* et *0\** s'affichent.
2. Vous pouvez également toucher **defrost** plusieurs fois jusqu'à ce que le numéro du programme de dégivrage souhaité s'affiche.
3. Touchez **start (+30 secs)**.
4. Pour les programmes de dégivrage 1 à 3 :
  - *0.0* lbs s'affiche.
  - Saisissez le poids des aliments à décongeler en livres à l'aide des touches numériques.
5. Pour le programme de dégivrage 4 :
  - *00:00* est affiché.
  - Saisissez le temps de dégivrage souhaité en minutes et secondes à l'aide des touches numériques.
6. Touchez **start**.
  - ✓ Le temps de cuisson commence à s'écouler.
  - ✓ Une fois le programme terminé, 2 bips retentissent. *End* est affiché.
7. Touchez **stop/clear**.
  - ✓ L'appareil s'éteint et l'heure du jour s'affiche.

## Recommandations pour le dégivrage

Suivez ces recommandations pour obtenir les meilleurs résultats de dégivrage.

- Utilisez un plat peu profond allant au micro-ondes, comme une cocotte en verre ou une assiette en verre, mais ne couvrez pas.
- Entrez toujours le poids en lb lorsque vous utilisez la fonction de décongélation selon le poids (0,1 à 6,0 lb).
- Utilisez le mode de décongélation uniquement pour les aliments crus.
- La décongélation donne les meilleurs résultats lorsque l'aliment a décongelé et a un minimum de 0 °F (pris directement du congélateur). Si l'aliment a été rangé dans un réfrigérateur-congélateur qui ne maintient pas une température de 5 °F ou moins, programmez toujours un poids d'aliment inférieur ou un temps de cuisson inférieur pour empêcher de cuire l'aliment.
- Si l'aliment congelé est rangé à l'extérieur du congélateur pendant jusqu'à 20 minutes, entrez un temps ou un poids de cuisson réduit.
- La forme de l'emballage modifiera le temps de décongélation. Les paquets d'aliments rectangulaires et minces se décongèlent plus rapidement qu'un bloc d'aliments congelés épais.
- Séparez les morceaux à mesure qu'ils se décongèlent. Les morceaux d'aliments congelés séparés se décongèlent mieux.
- Protégez les zones chaudes de l'aliment avec de petits morceaux de feuille en aluminium si elles commencent à se chauffer. Utilisez des petits morceaux de feuille en aluminium pour protéger les aliments comme les ailes de poulet, les extrémités des cuisses et les queues de poisson. Ne laissez pas le papier d'aluminium toucher la cavité de l'appareil lors du dégivrage.

## Conseils pour le temps de repos

- Laisser reposer les aliments décongelés pendant 10 à 30 minutes supplémentaires jusqu'à ce qu'ils atteignent une température uniforme.
- Il faut prévoir pour les gros morceaux de viande un temps de repos plus long que pour les morceaux plus petits.
- Séparez les morceaux plats de viande et les articles à base de viande hachée les uns des autres avant de les laisser reposer.
- Après ce temps-là, vous pouvez continuer de préparer l'aliment, même si des morceaux de viande épais sont toujours congelés au centre.

## Recommandations pour décongeler la viande

Pour les meilleurs résultats, veuillez lire ces suggestions quand vous décongelez la viande.

Viande	Recommandations
Viande hachée	Après chaque étape, retirez les pièces qui sont presque décongelées. Laissez au repos avec de la feuille en aluminium pendant 5 à 10 minutes.
Steaks, côtelettes ou poisson	Après chaque étape, réorganisez les aliments. Si des portions de l'aliment sont chaudes ou décongelées, protégez-les avec des petits morceaux étroits de feuille d'aluminium. Retirez les morceaux qui sont presque décongelés. Laissez au repos couvert pendant environ 5 à 10 minutes.
Morceaux de poulet	Après chaque étape, redispensez ou retirez les morceaux d'aliment qui sont presque décongelés. Laissez au repos couvert pendant environ 5 à 10 minutes.

## 11.4 Garder au chaud

Vous pouvez garder les aliments cuits au chaud dans votre micro-ondes jusqu'à 30 minutes.

- Utilisez le mode Garder au chaud pour conserver les aliments chauds et prêts à servir.
- Les aliments couverts à la cuisson doivent rester couverts au chaud.
- Les pâtisseries, tels que les tartes et les chaussons, doivent être découverts.
- Les repas complets gardés au chaud sur un plat de service peuvent être couverts pendant le mode Garder au chaud.

## Réglage de Keep Warm (Garder chaud)

### MISE EN GARDE

LORSQUE VOUS UTILISEZ LE MODE MAINTIEN AU CHAUD, SUIVEZ CES DIRECTIVES :

- ▶ N'utilisez pas le mode de maintien au chaud pour réchauffer des aliments froids.

- ▶ Veiller à garder la nourriture à la bonne température. L'USDA recommande de maintenir les aliments chauds à 140 ° F (60 ° C) ou plus.
- ▶ NE PAS maintenir des aliments au chaud pendant plus d'une heure.

1. Touchez **keep warm**.

✓ 30:00 minutes est affiché.

2. Touchez **start (+30 secs)**.

✓ Lorsque le temps de cuisson est écoulé, 2 bips retentissent. *End* est affiché.

3. Touchez **stop/clear**.

✓ L'appareil s'éteint et l'heure du jour s'affiche.

**Remarque :** Pour arrêter **keep warm** avant que le temps de cuisson ne soit écoulé, appuyez sur **stop/clear**.

## 11.5 Ramollir/fondre

Cette fonction vous permet de ramollir ou de faire fondre 4 types d'aliments différents.

Numéro du programme	Nourriture/Quantité
1	Beurre <ul style="list-style-type: none"> <li>■ 1 oz</li> <li>■ 2 oz</li> <li>■ 4 oz</li> </ul>
2	Brisures de chocolat <ul style="list-style-type: none"> <li>■ 1 tasse</li> <li>■ 2 tasses</li> </ul>
3	Fromage à la crème <ul style="list-style-type: none"> <li>■ 3 oz</li> <li>■ 6 oz</li> <li>■ 8 oz</li> </ul>
4	Crème glacée <ul style="list-style-type: none"> <li>■ 4 oz</li> <li>■ 8 oz</li> <li>■ 16 oz</li> <li>■ 32 oz</li> <li>■ 48 oz</li> </ul>

### Réglage de ramollir/fondre

1. Touchez **soften/melt**.

✓ *SOFT* est affiché.

2. Touchez **soften/melt** à plusieurs reprises jusqu'à ce que le numéro du type d'aliment souhaité s'affiche.

3. Touchez **start (+30 secs)**.

4. Touchez sur **soften/melt** à répétition jusqu'à ce que la quantité souhaité s'affiche.

5. Touchez **start (+30 secs)**.

✓ Le temps de cuisson commence à s'écouler.

✓ Une fois le programme terminé, 2 bips retentissent. *End* est affiché.

6. Touchez **stop/clear**.

✓ L'appareil s'éteint et l'heure du jour s'affiche.

## 12 Tableaux de cuisson

Les tableaux sont à titre indicatif. Respectez le mode de préparation de l'emballage ou de la recette.

### 12.1 Cuisson de la viande au micro-ondes

- Placer les viandes préparées sur une grille à rôtir allant au micro-ondes dans un plat allant au micro-ondes.
- Commencez à cuire la viande côté gras vers le bas.
- Si nécessaire, utilisez des bandes étroites de papier d'aluminium pour protéger les pointes d'os ou les zones de viande minces.
- Après la cuisson, vérifiez la température à plusieurs endroits avant de laisser reposer la viande le temps recommandé.
- Les températures dans les tableaux suivants sont des températures au moment du retrait ; la température augmentera pendant la période de repos.
- Suivez les recommandations pour le temps de repos.  
→ "Temps de repos", Page 55

Viande	Niveau de puissance	Temps de cuisson	Directions
Rôti de boeuf, désossé jusqu'à 4 lb	10 - Élevé, pendant les 5 premières minutes puis 5 - Moyen	Pour 160 °F (71 °C) - moyen : ■ 12-17 min/lb Pour 170 °F (76 °C) - bien cuit : ■ 14-19 min/lb	<ul style="list-style-type: none"> <li>■ Placer le rosbif côté gras vers le bas sur une grille à rôtir.</li> <li>■ Couvrez avec du papier ciré.</li> <li>■ Retourner à la mi-cuisson.</li> <li>■ Laissez au repos pendant 10 à 15 minutes.<sup>1</sup></li> </ul>
Rôti de porc, désossé ou avec os jusqu'à 4 lb	10 - Élevé, pendant les 5 premières minutes puis 5 - Moyen	Pour 170 °F (76 °C) - bien cuit : ■ 14-19 min/lb	<ul style="list-style-type: none"> <li>■ Placer le rôti de porc côté gras vers le bas sur une grille à rôtir.</li> <li>■ Couvrez avec du papier ciré.</li> <li>■ Retourner à la mi-cuisson.</li> <li>■ Laissez au repos pendant 10 à 15 minutes.<sup>1</sup></li> </ul>

<sup>1</sup> Attendez-vous à une augmentation de la température de 10 °F (6 °C) pendant la période de repos.

### 12.2 Cuisson de la volaille au micro-ondes

- Placer la volaille sur une grille à rôtir allant au micro-ondes dans un plat allant au micro-ondes.
- Couvrir la volaille de papier ciré pour éviter les éclaboussures.
- Utilisez des bandes étroites de papier d'aluminium pour protéger les pointes d'os ou les zones de viande minces, ou les zones qui commencent à trop cuire.
- Après la cuisson, vérifiez la température à plusieurs endroits avant de laisser reposer la viande le temps recommandé.
- Suivez les recommandations pour le temps de repos.  
→ "Temps de repos", Page 55

Viande	Niveau de puissance	Temps de cuisson	Température	Directions
Poulet entier jusqu'à 4 lb	7 - Moyen élevé	7-10 min/lb	<ul style="list-style-type: none"> <li>■ 170 °F (76 °C) pour la viande brune</li> <li>■ 160 °F (71 °C) pour la viande blanche</li> </ul>	<ul style="list-style-type: none"> <li>■ Placer le poulet côté poitrine vers le bas sur la grille de rôtissage.</li> <li>■ Couvrez avec du papier ciré.</li> <li>■ Retourner à la mi-cuisson.</li> <li>■ Cuire jusqu'à ce que le jus soit clair et que la viande près de l'os ne soit plus rose.</li> <li>■ Laissez au repos pendant 10 à 15 minutes</li> </ul>
Morceaux de poulet jusqu'à 4 lb	7 - Moyen élevé	7-10 min/lb	<ul style="list-style-type: none"> <li>■ 170 °F (76 °C) pour la viande brune</li> <li>■ 160 °F (71 °C) pour la viande blanche</li> </ul>	<ul style="list-style-type: none"> <li>■ Placez le poulet côté os vers le bas sur le plat, avec les parties les plus épaisses vers l'intérieur du plat.</li> <li>■ Couvrez avec du papier ciré.</li> <li>■ Retourner à la mi-cuisson.</li> <li>■ Cuire jusqu'à ce que le jus soit clair et que la viande près de l'os ne soit plus rose.</li> <li>■ Laissez au repos pendant 10 à 15 minutes</li> </ul>

## 12.3 Temps de repos

Suivez ces directives pour le temps de repos pour des résultats de cuisson sûrs.

Viande	Point de cuisson	Retirez de l'appareil Température en °F (°C)	Après avoir reposé pendant 10-15 min.
			Température en °F (°C)
Bœuf	Moyen	150 (65)	160 (71)
	Bien cuit	160 (71)	170 (77)
Porc	Moyen	150 (65)	160 (71)
	Bien cuit	160 (71)	170 (77)
Volaille	Viande brune	170 (77)	180 (82)
	Viande blanche	160 (71)	170 (77)

## 12.4 Cuisson des œufs dans le micro-ondes

- Ne cuisez jamais les œufs dans leur coquille et ne réchauffez jamais des œufs durs dans leur coquille, au risque de les éclater.
- Percez toujours le jaune d'œuf des œufs entiers pour les empêcher d'éclater.
- Cuisez les œufs jusqu'à ce qu'ils soient pris; ils durciront s'ils sont trop cuits.
- La cuisson des œufs brouillés est permise.

## 12.5 Cuisson de légumes dans votre micro-ondes

- Lavez les légumes juste avant la cuisson. De l'eau supplémentaire est rarement nécessaire. Si des légumes denses, comme des pommes de terre ou des carottes sont à cuire, ajoutez environ un quart de tasse d'eau.
- Les petits légumes, comme les carottes tranchées, les pois ou les haricots de Lima, cuiront plus rapidement que les gros légumes.

- Les légumes entiers, comme les pommes de terre, les courges poivrées, les épis de maïs, etc., doivent être disposés en cercle sur le plateau tournant avant la cuisson. Ils cuiront de façon plus uniforme si vous les retournez à mi-cuisson.
- Placez toujours les légumes comme les asperges et le brocoli avec les tronçons pointés vers le bord du plat et les pointes vers le centre.
- Lorsque vous faites cuire des légumes coupés, couvrez toujours le plat avec un couvercle ou une pellicule de plastique micro-ondable aérée.
- Pour les légumes entiers non pelés, comme les pommes de terre, les patates douces, les courges, les aubergines, etc., piquez la peau des légumes à plusieurs endroits avant la cuisson pour éviter qu'ils n'éclatent.
- Pour une cuisson plus uniforme, brassez ou redispousez les légumes entiers à mi-cuisson.
- Plus la nourriture est dense, plus le temps de repos requis est long. Par exemple, une pomme de terre cuite au four devrait être laissée au repos pendant 5 minutes avant de la servir, tandis qu'un plat de petits pois peut être servi immédiatement.

## 12.6 Cuisson de fruits de mer dans le micro-ondes

- Assurez-vous de placer le poisson sur une grille à rôtir allant au micro-ondes dans un plat allant au micro-ondes.
- Assurez-vous de toujours cuire le poisson jusqu'à ce qu'il se détache facilement à la fourchette.
- Utilisez un couvercle bien serré pour cuire à la vapeur le poisson; un couvercle plus léger de papier ciré ou de serviette de papier réduit l'efficacité de la cuisson à la vapeur.
- Assurez-vous de ne pas trop cuire le poisson; vérifier la cuisson au temps de cuisson minimum avant de cuire plus longtemps.

Fruits de mer	Niveau de puissance	Temps de cuisson	Directions
Steaks de poisson jusqu'à 1 ½ lb	7 - Moyen élevé	7-11 min/lb	<ul style="list-style-type: none"> <li>■ Disposez le poisson sur une grille à rôtir avec les parties charnues vers l'extérieur de la grille.</li> <li>■ Couvrez avec du papier ciré.</li> <li>■ Retournez et redispousez à mi-cuisson.</li> <li>■ Faites cuire jusqu'à ce que le poisson se détache facilement à la fourchette.</li> <li>■ Laissez au repos pendant 3 à 5 minutes</li> </ul>

Fruits de mer	Niveau de puissance	Temps de cuisson	Directions
Filets de poisson jusqu'à 1 ½ lb	7 - Moyen élevé	7-11 min/lb	<ul style="list-style-type: none"> <li>■ Disposez les filets dans un plat allant au four, en tournant les morceaux minces se trouvant en-dessous.</li> <li>■ Couvrez avec du papier ciré.</li> <li>■ Si plus de ½ po d'épaisseur, retourner et réorganiser à mi-cuisson.</li> <li>■ Faites cuire jusqu'à ce que le poisson se détache facilement à la fourchette.</li> <li>■ Laissez au repos pendant 2 à 3 minutes</li> </ul>
Crevette jusqu'à 1 ½ lb	7 - Moyen élevé	7-11 min/lb	<ul style="list-style-type: none"> <li>■ Disposez les crevettes dans un plat allant au four sans les chevaucher ou les entasser.</li> <li>■ Couvrez avec du papier ciré.</li> <li>■ Faites cuire jusqu'à ce qu'elles soient fermes et opaques. Remuer 2 ou 3 fois pendant la cuisson.</li> <li>■ Laisser reposer 5 minutes</li> </ul>

## 13 Nettoyage et entretien

Pour que votre appareil reste longtemps opérationnel, nettoyez-le et entretenez-le avec soin.

### 13.1 Produits de nettoyage

Utilisez uniquement des produits de nettoyage appropriés pour éviter d'endommager les surfaces de l'appareil.

#### Noms de marques

- L'utilisation de noms de marque vise uniquement à indiquer un type de nettoyant. Cela ne constitue pas une approbation.
- L'omission d'un nettoyant de marque n'implique pas son adéquation ou son insuffisance.
- De nombreux produits sont de distribution régionale et peuvent être trouvés sur les marchés locaux.
- Il est impératif que tous les produits de nettoyage soient utilisés en stricte conformité avec les instructions sur son emballage.

#### Éviter ces produits de nettoyage

Ne pas utiliser les produits de nettoyage commerciaux tels que Easy Off®<sup>1</sup>. Ils pourraient endommager le fini ou les pièces de l'appareil. Le chlore ou les composés chlorés de certains nettoyants sont corrosif pour l'acier inoxydable. Vérifier les ingrédients sur l'étiquette. Ne jamais utiliser des tampons à récurer ou des produits de nettoyage abrasifs.

#### AVERTISSEMENT

Assurez-vous que tout l'appareil a refroidi et que la graisse s'est solidifiée avant d'essayer de nettoyer une partie de l'appareil.

#### AVERTISSEMENT

Pour éviter tout risque d'électrocution, N'UTILISEZ PAS de nettoyeur haute pression ou de nettoyer à vapeur pour nettoyer l'appareil. L'humidité qui pénètre peut occasionner une électrocution.

<sup>1</sup> Ces marques sont des marques déposées de leurs propriétaires respectifs. Toutes les autres marques sont des marques de BSH Home Appliances Corporation ou ses sociétés affiliées.



## Recommandations en matière de nettoyage

Nettoyez uniquement les parties de votre appareil répertoriées dans le tableau de nettoyage.

- Prenez soin de garder le panneau intérieur de la porte et le cadre avant de l'appareil exempts d'aliments et d'accumulation de graisse.
- N'utilisez jamais de poudre ou de tampons à récurer abrasifs.
- Essuyez les éclaboussures immédiatement avec une serviette de papier mouillée, surtout après la cuisson d'aliments gras comme le poulet ou le bacon.
- Nettoyez votre appareil une fois par semaine ou plus souvent, si nécessaire.
- Ne faites jamais fonctionner l'appareil sans nourriture dans la cavité de l'appareil ; cela peut endommager le tube magnétron ou le plateau en verre.
- Vous pouvez laisser une tasse d'eau à l'intérieur de l'appareil lorsqu'il n'est pas utilisé pour éviter tout dommage si l'appareil est accidentellement allumé.

Pièce	Méthode de nettoyage appropriée	Recommandations
Cavité de l'appareil	<ul style="list-style-type: none"> <li>■ Essuyez immédiatement tous les déversements.</li> <li>■ Nettoyer avec un chiffon propre et humide et un savon doux.</li> <li>■ Pour aider à détacher les particules alimentaires ou les liquides cuits :               <ul style="list-style-type: none"> <li>– Faites chauffer 2 tasses d'eau dans un plat de 4 tasses allant au micro-ondes au niveau de puissance 10 pendant 5 minutes ou jusqu'à ébullition.</li> <li>– Vous pouvez ajouter le jus d'un citron si vous souhaitez conserver l'odeur fraîche de l'appareil.</li> <li>– Laissez-le reposer dans la cavité de l'appareil pendant 1 ou 2 minutes.</li> </ul> </li> </ul>	<ul style="list-style-type: none"> <li>■ Gardez la cavité de l'appareil propre. Les particules alimentaires et les liquides renversés peuvent coller aux parois de la cavité de l'appareil, ce qui rend l'appareil moins efficace.</li> <li>■ N'UTILISEZ PAS des détergents puissants ou des nettoyants abrasifs.</li> <li>■ Retirez le plateau tournant en verre de l'appareil lors du nettoyage de la cavité de l'appareil.</li> </ul>
Grille métallique	<ul style="list-style-type: none"> <li>■ Laver à l'eau savonneuse.</li> <li>■ Rincez à fond et séchez ou frottez doucement avec une poudre de nettoyage ou des tampons savonneux selon les instructions.</li> </ul>	
Plaque tournante de verre	<ul style="list-style-type: none"> <li>■ Laver à l'eau chaude savonneuse ou au lave-vaisselle.</li> </ul>	<ul style="list-style-type: none"> <li>■ Laissez refroidir le plateau tournant en verre avant de le manipuler.</li> <li>■ Retirez le plateau tournant en verre de la cavité de l'appareil pour le nettoyer.</li> <li>■ NE mettez PAS le plateau tournant en verre dans l'eau immédiatement après la cuisson.</li> </ul>
Support de rouleau du plateau tournant	<ul style="list-style-type: none"> <li>■ Nettoyez avec de l'eau tiède savonneuse. Rincez à fond et séchez.</li> </ul>	
Vitre de porte	<ul style="list-style-type: none"> <li>■ Laver avec de l'eau et du savon ou un nettoyant pour vitres, ou appliquer un nettoyant tout usage sur une éponge ou une serviette en papier propre et essuyer.</li> <li>■ Si de la vapeur s'accumule à l'intérieur ou à l'extérieur de la porte de l'appareil, essuyez-la avec un chiffon doux. De la vapeur peut s'accumuler lors de l'utilisation de l'appareil dans des conditions d'humidité élevée. Cela n'indique en aucun cas une fuite de micro-ondes.</li> </ul>	<ul style="list-style-type: none"> <li>■ N'utilisez pas de nettoyants abrasifs, tels que des agents de nettoyage en poudre, des tampons en laine d'acier et des nettoyants pour four.</li> </ul>
Surfaces peintes	<ul style="list-style-type: none"> <li>■ Nettoyez avec de l'eau chaude savonneuse ou appliquez un nettoyant tout usage sur une éponge ou une serviette en papier propre et essuyez.</li> </ul>	<ul style="list-style-type: none"> <li>■ N'utilisez pas de nettoyants abrasifs, tels que des agents de nettoyage en poudre, des tampons en laine d'acier et des nettoyants pour four.</li> </ul>

<b>Pièce</b>	<b>Méthode de nettoyage appropriée</b>	<b>Recommandations</b>
Surfaces en acier inoxydable	<ul style="list-style-type: none"> <li>■ Nettoyer avec une éponge savonneuse, puis rincer et sécher, ou essuyer avec Fantastik® vaporisé sur une serviette en papier.</li> <li>■ Protégez et polissez avec le produit Stainless Steel Magic® et un chiffon doux.</li> <li>■ Retirer les traces d'eau avec un chiffon humecté de vinaigre blanc.</li> </ul>	<ul style="list-style-type: none"> <li>■ Essuyez ou frottez toujours dans la direction du grain.</li> <li>■ N'UTILISEZ PAS de nettoyant contenant du chlore, car cela pourrait rouiller l'acier inoxydable.</li> </ul>
Plastique et contrôles	<ul style="list-style-type: none"> <li>■ Lorsqu'il est refroidi, nettoyez à l'eau savonneuse puis rincez et séchez.</li> </ul>	
Zones imprimées (mots et chiffres)	<ul style="list-style-type: none"> <li>■ Nettoyer à l'eau savonneuse, rincer et sécher.</li> </ul>	<ul style="list-style-type: none"> <li>■ NE PAS utiliser de nettoyants abrasifs ou de solvants à base de pétrole.</li> </ul>

## 14 Dépannage

Vous pouvez éliminer vous-même les défauts mineurs de votre appareil. Veuillez lire les informations de dépannage avant de contacter le service à la clientèle. Cela peut éviter des frais de visite inutiles.

### AVERTISSEMENT

Des réparations mal exécutées sont dangereuses.

- ▶ Les réparations de l'appareil ne doivent être effectuées que par des prestataires de services agréés.

- ▶ Si le cordon d'alimentation secteur ou le cordon d'alimentation de l'appareil est endommagé, ils doivent être remplacés par des cordons spécifiques disponibles auprès du fabricant ou de son service après-vente.
- ▶ Seules des pièces de rechange d'origine peuvent être utilisées pour réparer l'appareil.
- ▶ Si l'appareil a un problème, appelez le service client.

Défaut	Cause et dépannage
L'appareil et l'écran ne fonctionnent pas	<p>Il n'y a pas d'alimentation électrique à l'appareil</p> <ul style="list-style-type: none"> <li>▶ Assurez-vous que le cordon d'alimentation de l'appareil est complètement branché dans la prise de courant et que le disjoncteur ne s'est pas déclenché.</li> <li>▶ Réinitialisez le disjoncteur domestique ou remplacez tout disjoncteur ou fusible déclenché.</li> <li>▶ Retirez la fiche de la prise, attendez 10 secondes, puis rebranchez l'appareil.</li> <li>▶ Branchez un autre appareil dans la prise de courant. Si l'autre appareil ne fonctionne pas, faites réparer la prise par un électricien qualifié.</li> <li>▶ Branchez l'appareil sur une autre prise de courant.</li> </ul>
L'affichage fonctionne, mais l'appareil ne fonctionne pas	<p>La porte de l'appareil n'est pas complètement fermée</p> <ol style="list-style-type: none"> <li>1. Vérifiez que la porte de l'appareil n'est pas obstruée.</li> <li>2. Vérifiez si la charnière est pliée.</li> </ol> <p>Le joint de la porte est sale</p> <ul style="list-style-type: none"> <li>▶ Vérifiez si du matériel d'emballage ou autres matériaux sont collés dans le joint de porte.</li> </ul> <p>La porte de l'appareil est endommagée</p> <ul style="list-style-type: none"> <li>▶ Vérifiez que la porte de l'appareil n'est pas endommagée. N'utilisez pas l'appareil si la porte est endommagée.</li> </ul> <p>Les paramètres ont été mal saisis</p> <ul style="list-style-type: none"> <li>▶ Appuyez sur <b>Clear/Off</b> deux fois et entrez à nouveau les paramètres souhaités.</li> </ul>
L'appareil s'éteint avant la fin du temps de cuisson	<p>Les paramètres d'heure sont incorrects</p> <ul style="list-style-type: none"> <li>▶ Appuyez sur <b>Clear/Off</b> deux fois et entrez à nouveau les paramètres souhaités.</li> <li>▶ Réinitialisez l'horloge et entrez à nouveau les paramètres souhaités.</li> </ul> <p>Il n'y a pas d'alimentation électrique à l'appareil</p> <ol style="list-style-type: none"> <li>1. Vérifier le disjoncteur ou le boîtier à fusibles de la résidence.</li> <li>2. S'assurer que l'alimentation électrique de l'appareil est adéquate.</li> </ol>
L'aliment cuit trop lentement	<p>La tension atteignant l'appareil est peut-être trop faible.</p> <ol style="list-style-type: none"> <li>1. Assurez-vous que l'appareil est sur une ligne de circuit de 20 ampères distincte. Un autre appareil branché sur le même circuit pourrait provoquer une baisse de tension.</li> <li>2. Si nécessaire, raccordez l'appareil à son propre circuit.</li> </ol>
Étincelles ou arcs électriques dans la cavité de l'appareil	<p>Il y a des objets métalliques dans la cavité de l'appareil</p> <ol style="list-style-type: none"> <li>1. Retirez tous les ustensiles métalliques, ustensiles de cuisine ou attaches métalliques de la cavité de l'appareil.</li> <li>2. Si vous utilisez du papier d'aluminium, utilisez uniquement des bandes étroites et laissez au moins 1 po (2,5 cm) entre le papier d'aluminium et les parois de la cavité de l'appareil.</li> </ol>
Le plateau tournant fait des bruits ou colle	<p>Il y a de la saleté sur le dessous du plateau tournant ou de l'anneau de roulement</p> <ul style="list-style-type: none"> <li>▶ Nettoyez la plaque tournante, l'anneau du rouleau et le fond de la cavité de l'appareil.</li> </ul>

Défaut	Cause et dépannage
Le plateau tournant fait des bruits ou colle	Le plateau tournant et l'anneau de roulement ne sont pas correctement installés <ul style="list-style-type: none"> <li>▶ Assurez-vous que la plaque tournante et l'anneau de roulement sont positionnés correctement.</li> </ul>
L'utilisation du micro-ondes provoque des interférences TV ou radio	Des interférences similaires sont causées par d'autres petits appareils, tels que les sèche-cheveux <ul style="list-style-type: none"> <li>▶ Éloignez les autres appareils comme votre téléviseur ou votre radio de votre micro-ondes.</li> </ul>
Les lumières à DEL ne fonctionnent pas	Les lampes à DEL sont grillées. <ul style="list-style-type: none"> <li>▶ Appelez le  → "Service à la clientèle", Page 60.</li> </ul>
Niveau de puissance commuté de 10 à 8	Le micro-ondes fonctionne au niveau de puissance 10 depuis plus de 30 minutes. Le niveau de puissance a des commutateurs au niveau de puissance 8 pour éviter une cuisson excessive. <ul style="list-style-type: none"> <li>▶ Cela est normal. Aucune action n'est requise.</li> </ul>

## 15 Élimination

### 15.1 Éliminer un appareil usagé

L'élimination dans le respect de l'environnement permet de récupérer de précieuses matières premières.

1. Débranchez la fiche du secteur.
2. Coupez le câble de raccordement secteur.
3. Éliminez l'appareil dans le respect de l'environnement.  
Pour connaître les circuits d'élimination actuels, veuillez vous adresser à votre revendeur ou à votre administration municipale.

## 16 Service à la clientèle

Lors de toute réparation réalisée dans le cadre de la garantie, nous nous assurons que votre appareil est réparé avec des pièces de rechange d'origine par un technicien dûment formé et agréé. Nous utilisons exclusivement des pièces de rechange d'origine lors des réparations.

Pour plus d'informations sur la durée et les conditions de la garantie dans votre pays, consultez nos modalités de garantie auprès de votre détaillant ou sur notre site Web. Si vous contactez le service à la clientèle, indiquez le numéro de modèle (E-Nr.) et le numéro de fabrication (FD) de l'appareil.

La source de lumière est disponible en tant que pièce de rechange et doit être remplacée uniquement par du personnel qualifié.

USA:

1-800-944-2904

[www.bosch-home.com/us/owner-support/get-support](http://www.bosch-home.com/us/owner-support/get-support)

[www.bosch-home.com/us/shop](http://www.bosch-home.com/us/shop)

CA:

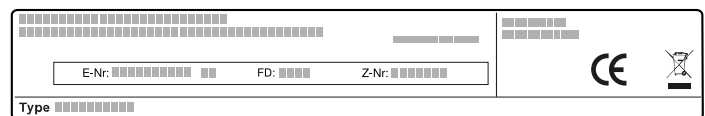
1-800-944-2904

[www.bosch-home.ca/en/service/get-support](http://www.bosch-home.ca/en/service/get-support)

[www.bosch-home.ca/en/service/cleaners-and-accessories](http://www.bosch-home.ca/en/service/cleaners-and-accessories)

### 16.1 Numéro de modèle (E-Nr.) et numéro de fabrication (FD)

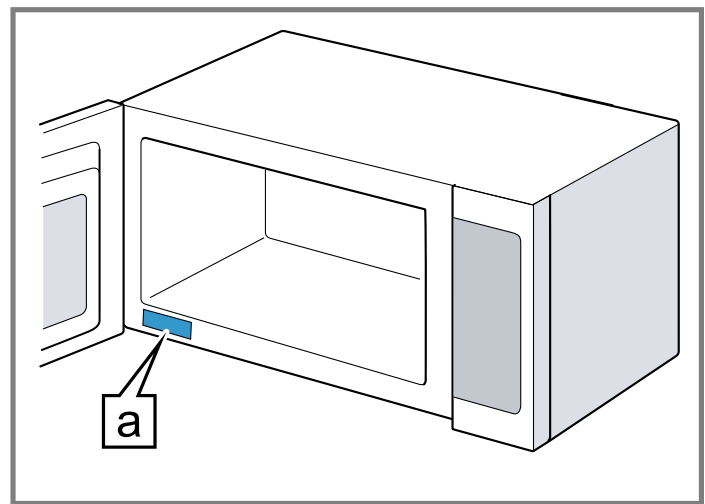
Le numéro de modèle (E-Nr.) et le numéro de fabrication (FD) sont indiqués sur la plaque signalétique de l'appareil.



Pour retrouver rapidement les données de votre appareil et le numéro de téléphone du service à la clientèle, n'hésitez pas à les recopier ailleurs.

### 16.2 Emplacement de la plaque signalétique

La plaque signalétique est située dans le coin inférieur gauche de la face avant du micro-ondes et est visible lorsque la porte est ouverte.



**a** Plaque signalétique

## 17 ÉNONCÉ DE LA GARANTIE LIMITÉE DU PRODUIT

### 17.1 Couverture de la garantie limitée

La garantie limitée fournie par BSH Home Appliances (« Bosch ») dans cet énoncé de garantie limitée s'applique seulement à l'appareil Bosch qui vous a été vendu (« Produit »), pour autant que le produit ait été acheté :

- Pour une utilisation normale résidentielle (non commerciale), et qu'il a été utilisé en tout temps pour un usage domestique normal.
- Neuf au détail auprès d'un revendeur agréé BSH ou directement auprès de BSH (pas un présentoir, « tel quel », ou un modèle précédemment retourné), et non destiné à la revente ou à un usage commercial.
- Aux États-Unis ou au Canada et qu'il est demeuré en tout temps dans son pays d'achat.

Les garanties aux présentes s'appliquent à l'acheteur original du produit sous garantie et à tout propriétaire successif du produit acheté pour une utilisation résidentielle habituelle et la durée de la garantie. Assurez-vous d'enregistrer votre produit ; bien qu'il ne soit pas nécessaire pour appliquer la garantie, c'est le meilleur moyen pour Bosch de vous informer dans le cas peu probable d'un avis de sécurité ou d'un rappel de produit.

### 17.2 Durée de la garantie

Bosch garantit que le produit est exempt de défauts de matériaux et de fabrication pendant une période de trois cent soixante-cinq (365) jours à compter de la date de livraison initiale. La période susmentionnée commence à partir de la date de livraison et ne doit pas être retenue, retardée, prolongée, ou interrompue pour une raison quelconque. Ce produit est également garanti exempt de défauts **cosmétiques** de matériaux et de fabrication (tels que des rayures sur l'acier inoxydable, des taches de peinture/porcelaine, des éclats, des bosses ou d'autres dommages à la finition) du produit, pendant une période de trente (30) jours à compter de la date de livraison ou de la date de clôture pour les nouvelles constructions. La présente garantie **cosmétique** exclut les variations légères de couleur causées par les différences inhérentes entre les sections peintes et les sections en porcelaine, de même que les différences causées par l'éclairage de la cuisine, l'emplacement du produit et autres facteurs similaires. La présente garantie **cosmétique** exclut spécifiquement tous les appareils en montre, de plancher, « tel quel » et remis à neuf.

### 17.3 Réparation ou remplacement : votre recours exclusif

Pendant cette période de garantie, Bosch ou l'un de ses centres de réparations autorisés réparera gratuitement votre produit (sous réserve de certaines restrictions aux présentes) si celui-ci présente des défauts de matériels ou de fabrication. Si des tentatives raisonnables pour réparer

le produit sont vaines, alors Bosch remplacera le produit (un modèle supérieur peut être offert, à la seule discrétion de Bosch, moyennant des frais supplémentaires). Rien dans cette garantie n'exige que les pièces endommagées ou défectueuses soient remplacées par des pièces d'un type ou d'une conception différent de la pièce d'origine. Toutes les pièces ou les composants enlevés demeurent la seule propriété de Bosch. Toute pièce remplacée ou réparée doit être identique à la pièce d'origine aux fins de la présente garantie et la garantie ne sera pas prolongée en regard de telles pièces. La seule responsabilité de Bosch est de faire réparer le produit défectueux uniquement par un centre de réparation autorisé pendant les heures de travail normales. Pour des raisons de sécurité et de dommages matériels, Bosch vous recommande fortement de ne pas essayer de réparer le produit vous-même ou de faire appel à un prestataire de services non agréé ; Bosch décline toute responsabilité en cas de dommages résultant de réparations ou de travaux effectués par un prestataire de services non agréé. Les centres de réparation autorisés sont les personnes ou les entreprises qui ont été spécialement formées sur les produits Bosch et qui possèdent, selon l'opinion de Bosch, une réputation supérieure pour le service après-vente et la capacité technique (il est à noter qu'elles sont des entités indépendantes et non des agents, partenaires, affiliés ou représentants de Bosch). Néanmoins, le fait de confier l'entretien de votre produit à un atelier de réparation non affilié ou à un revendeur agréé Bosch n'annulera pas cette garantie. De plus, l'utilisation de pièces tierces n'annulera pas cette garantie. Nonobstant ce qui précède, Bosch ne sera pas tenue responsable d'aucune façon si le produit est situé dans une région éloignée (supérieure à 100 miles d'un centre de réparation autorisé) ou n'est pas accessible de façon raisonnable, dans un environnement ou un local dangereux, menaçant ou périlleux; dans une telle éventualité, à la demande du consommateur, Bosch pourrait encore payer les frais de main-d'œuvre et de pièces et expédier les pièces au centre de réparation autorisé le plus près, mais le consommateur serait entièrement responsable pour tous les frais de déplacement et autres frais spéciaux encourus par le centre de réparation, en autant qu'il accepte la demande de réparation. En outre, dans la mesure où vous avez installé le produit dans un endroit difficile d'accès ou si vous avez installé des installations temporaires ou permanentes qui créent des obstacles à l'accès ou au retrait du produit, Bosch n'encourra aucune responsabilité ou n'aura aucune responsabilité pour les travaux ou les

coûts associés au déplacement du Produit ou à la création d'un accès au Produit afin de le réparer ou de le remplacer. Tous ces frais seront à votre charge exclusive.

## 17.4 Produit hors garantie

Bosch n'a aucune obligation, aux termes de la loi ou autrement, d'offrir toute concession, incluant réparation, prorata ou remplacement de produit une fois la garantie expirée.

## 17.5 Exclusions de garantie

La couverture de garantie décrite dans les présentes exclut tous les défauts ou dommages pour lesquels Bosch serait directement imputable, y compris, sans s'y limiter, l'un ou plusieurs des cas suivants :

- Utilisation du produit autre qu'un usage normal, habituel et de la façon destinée (incluant, sans s'y limiter, toute forme d'utilisation commerciale, d'utilisation ou de rangement d'un produit pour l'intérieur à l'extérieur, d'utilisation du produit de concert avec un transporteur aérien ou marin).
- Mauvaise conduite de toute partie, négligence, mauvaise utilisation, abus, accidents, fonctionnement inadéquat, mauvais entretien, installation inadéquate ou négligente, altération, manquement d'observer les instructions de fonctionnement, mauvaise manipulation, service non autorisé (incluant réparation par le consommateur ou exploration du fonctionnement interne du produit).
- Réglage, modification ou altération de tout type.
- Non conformité aux normes fédérales, provinciales, municipales ou électriques en vigueur au pays, aux codes de plomberie ou du bâtiment, aux réglementations ou aux lois, incluant le non respect d'installer le produit en stricte conformité avec les codes et les réglementations du bâtiment et d'incendie locaux.
- Bris et usure normaux, déversements d'aliments ou de liquides, accumulations de graisse ou d'autres substances dans, sur ou autour du Produit.
- Toute force ou tout facteur externe, élémentaire et / ou environnemental, incluant sans limitation, la pluie, le vent, le sable, les inondations, les incendies, les coulées de boue, le gel, l'humidité excessive ou l'exposition prolongée à l'humidité, la foudre, les surtensions, les problèmes de structure autour de l'appareil et les désastres naturels.
- Demandes de service visant à corriger l'installation de votre Produit, à obtenir des conseils à propos de son utilisation, à remplacer les fusibles de votre maison ou à réparer l'installation électrique ou la plomberie de votre foyer.
- Retrait et remplacement de la garniture ou des panneaux de décoration qui entravent l'entretien du produit.
- Dommages ou défauts résultant de la main-d'œuvre ou de pièces installées par un centre de réparation non autorisé, à moins d'être approuvé par Bosch avant de procéder à sa réparation.

En aucun cas, Bosch ne sera tenue responsable de dommages survenus à la propriété environnantes, incluant les armoires, les planchers, les plafonds et les autres objets ou structures situés autour du produit. Également exclus de la garantie sont les Produits dont les numéros de série ont été modifiés, effacés ou enlevés; les demandes de réparations pour enseigner le fonctionnement du Produit ou les visites où il n'y a aucun problème avec le produit; la correction de problèmes d'installation (le consommateur est seul responsable pour toute structure et tout réglage du Produit, incluant l'électricité, la plomberie et les autres raccordements nécessaires, pour une fondation / plancher approprié[e], et pour toute modification incluant, sans limitation, armoires, murs, planchers, tablettes, etc.) et le réenclenchement de disjoncteurs ou le remplacement de fusibles.

DANS LA MESURE AUTORISÉE PAR LOI, LA PRÉSENTE GARANTIE PRÉCISE LES RECOURS EXCLUSIFS DONT VOUS DISEPOSEZ À L'ÉGARD DU PRODUIT, QUE LA DEMANDE SOIT FONDÉE SUR UN CONTRAT OU DÉLIT (Y COMPRIS RESPONSABILITÉ ABSOLUE OU NÉGLIGENCE) OU AUTRE. LA PRÉSENTE GARANTIE REMPLACE TOUTES LES AUTRES GARANTIES, EXPRESSES OU IMPLICITES. TOUTES GARANTIES IMPLICITES AUX TERMES DE LA LOI, QUE SE SOIT LES GARANTIES DE QUALITÉ MARCHANDE OU D'APTITUDE À UN USAGE PARTICULIER, OU AUTRES, SONT LIMITÉES DANS LE TEMPS À LA DURÉE DE CETTE GARANTIE LIMITÉE EXPRESSE. LE FABRICANT NE SERA EN AUCUN CAS RESPONSABLE DE DOMMAGES CONSÉCUTIFS, SPÉCIAUX, ACCESSOIRES, INDIRECTS OU DE « PERTES COMMERCIALES » ET / OU DE DOMMAGES PUNITIFS, DE PERTES OU DE DÉPENSES, Y COMPRIS SANS S'Y LIMITER, ABSENCE DU TRAVAIL, FRAIS D'HÔTEL ET / OU FRAIS DE RESTAURANT, FRAIS DE REMANIEMENT EN EXCÉDENT DES DOMMAGES DIRECTS QUI SONT DÉFINITIVEMENT CAUSÉS EXCLUSIVEMENT PAR BOSCH, OU AUTREMENT. CERTAINS ÉTATS N'AUTORISENT PAS L'EXCLUSION OU LA LIMITATION DE DOMMAGES ACCESSOIRES OU CONSÉCUTIFS, ET CERTAINS ÉTATS N'AUTORISENT PAS LA LIMITATION DE LA DURÉE DES GARANTIES IMPLICITES. PAR CONSÉQUENT, LES EXCLUSIONS OU LES LIMITES SUSMENTIONNÉES POURRAIENT NE PAS VOUS CONCERNER. LA PRÉSENTE GARANTIE VOUS DONNE DES DROITS PRÉCIS RECONNUS PAR LA LOI ET VOUS POUVEZ ÉGALEMENT AVOIR D'AUTRES DROITS QUI VARIENT D'UN ÉTAT À L'AUTRE. Aucune tentative de modifier, changer ou amender la présente garantie ne peut être valide sans le consentement écrit autorisé par un dirigeant de BSH.

## 17.6 Obtention du service de garantie

Pour obtenir le service de garantie de votre produit, vous devez contacter le service client Bosch au 1-800-944-2904 pour planifier une réparation.

## 17.7 Information sur le produit

Pour référence pratique, copiez l'information ci-après de la plaque signalétique. Conservez votre facture et/ou vos documents de livraison pour la validation de la garantie.

---

Numéro de modèle  
(E-Nr.)

---

Numéro de  
fabrication (FD)

---

Date de livraison

---



## Register your appliance to enjoy customized benefits.

Thank you for being a Bosch customer!  
Simply create a MyBosch account, then register your appliance.  
You'll find a variety of customized information in MyBosch such as:

- **Discounts for filters, cleaners, accessories & parts**
- **Easy access to manuals & appliance specifications**
- **Easy access to part lists**
- **Customized offer for the Bosch Appliance Service Plan (sent by mail after appliance registration)**

Register here:  
[www.bosch-home.com/us/owner-support/mybosch](http://www.bosch-home.com/us/owner-support/mybosch)

**BOSCH**  
HOME APPLIANCES  
**SERVICE**

## Looking for help? You'll find it here.

No matter what, no matter when: Bosch is here to support you.  
We're here to assist with usage instructions, cleaning tips,  
accessories & parts, troubleshooting, and repairs.  
Find online resources such as FAQs, how-to-videos, manuals,  
warranties and authorized Bosch servicers at:  
[www.bosch-home.com/us/owner-support/get-support](http://www.bosch-home.com/us/owner-support/get-support)

Contact us:  
**Please have your Model Number (E-Nr) ready when contacting us.**  
1-800-944-2904  
[www.bosch-home.com/us/owner-support/contact-us](http://www.bosch-home.com/us/owner-support/contact-us)

**BSH Home Appliances Corporation**  
1901 Main Street, Suite 600  
Irvine, CA 92614  
USA  
[www.bosch-home.com](http://www.bosch-home.com)  
1-800-944-2904  
© 2023 BSH Home Appliances Corporation



**8001298243** (041113)

en-us, fr-ca