

# Free-standing range

Use and Care Manual

HGS8655UC, HGS8645UC



**BOSCH**

Invented for life





# Table of Contents

<b>▲ Safety Definitions</b> .....	<b>3</b>	Information for Use .....	16
<b>IMPORTANT SAFETY INSTRUCTIONS</b> .....	<b>4</b>	<b>Cleaning and Maintenance-Cooktop</b> .....	<b>17</b>
Fire Safety .....	5	Cleaning .....	17
Gas Safety .....	6	Cleaning Guidelines .....	17
Burn Prevention .....	6	Burnt-on Dirt .....	18
Child Safety .....	6	<b>Operating the Oven</b> .....	<b>19</b>
Cleaning Safety .....	7	Before Using the Appliance for the First Time .....	19
Cookware Safety .....	7	About the Appliance .....	19
Proper Installation and Maintenance .....	7	Getting the Most Out of Your Appliance .....	21
Proposition 65 Warning: .....	7	<b>Cleaning and Maintenance-Oven</b> .....	<b>22</b>
Conversion to Propane Gas .....	8	Cleaning the Oven .....	22
High Altitude Installation .....	8	Cleaning Self-cleaning Surfaces .....	23
<b>Getting Started</b> .....	<b>9</b>	Maintenance .....	23
Parts and Accessories .....	9	<b>Cooking Charts</b> .....	<b>26</b>
Burner Cap Placement .....	9	Baked Goods/Entrees .....	26
Inserting Racks .....	10	Meats .....	27
Telescopic Rail .....	10	<b>Customer Service</b> .....	<b>29</b>
Accessories Included .....	11	Before Calling for Service .....	29
Special Accessories (not included) .....	12	How to Obtain Warranty Service .....	30
<b>Operating the cooktop</b> .....	<b>12</b>	<b>STATEMENT OF LIMITED PRODUCT WARRANTY</b> ..	<b>31</b>
Before Using the Appliance for the First Time .....	12	What this Warranty Covers & Who it Applies to .....	31
About the Appliance .....	12	How Long the Warranty Lasts .....	31
Getting the Most Out of Your Appliance .....	14	Repair/Replace as Your Exclusive Remedy .....	31
<b>Notes Regarding Cookware</b> .....	<b>16</b>	Out of Warranty Product .....	31
Suitable Cookware .....	16	Warranty Exclusions .....	31
Cookware Recommendations .....	16	Obtaining Warranty Service: .....	32

## ▲ Safety Definitions

---

### ▲ WARNING

This indicates that death or serious injuries may occur as a result of non-observance of this warning.

---

---

### ▲ CAUTION

This indicates that minor or moderate injuries may occur as a result of non-observance of this warning.

---

**NOTICE:** This indicates that damage to the appliance or property may occur as a result of non-compliance with this advisory.

**Note:** This alerts you to important information and/or tips.



# **IMPORTANT SAFETY INSTRUCTIONS**

READ AND SAVE THESE INSTRUCTIONS

## **⚠ WARNING:**

If the information in these instructions is not followed exactly, a fire or explosion may result causing property damage, personal injury or death.

- Do not store or use gasoline or other flammable vapors and liquids in the vicinity of this or any other appliance.
- **WHAT TO DO IF YOU SMELL GAS**
  - Do not try to light any appliance.
  - Do not touch any electrical switch.
  - Do not use any phone in your building.
  - Immediately call your gas supplier from a neighbor's phone. Follow the gas supplier's instructions.
  - If you cannot reach your gas supplier, call the fire department.
- Installation and service must be performed by a qualified installer, service agency or the gas supplier.

## **⚠ WARNING:**

**Never Operate the Top Surface Cooking Section of this Appliance Unattended.**

- Failure to follow this warning statement could result in fire explosion, or burn hazard that could cause property damage, personal injury, or death.
- If a fire should occur, keep away from the appliance and immediately call your fire department.

**DO NOT ATTEMPT TO EXTINGUISH  
AN OIL/GREASE FIRE WITH WATER.**

# ⚠ IMPORTANT SAFETY INSTRUCTIONS

## READ AND SAVE THESE INSTRUCTIONS

**IMPORTANT:** SAVE THESE INSTRUCTIONS FOR THE LOCAL ELECTRICAL INSPECTOR'S USE.

**INSTALLER:** LEAVE THESE INSTRUCTIONS WITH THE UNIT FOR THE OWNER.

**OWNER:** PLEASE RETAIN THESE INSTRUCTIONS FOR FUTURE REFERENCE.

---

### WARNING

When properly cared for, your new appliance has been designed to be safe and reliable. Read all instructions carefully before use. These precautions will reduce the risk of burns, electric shock, fire and injury to persons. When using kitchen appliances, basic safety precautions must be followed including those in the following pages.

---

### WARNING

#### TIP OVER HAZARD

A child or adult can tip the range over and be killed.

Install the anti-tip device to the structure and/or the range. Verify the anti-tip device has been properly installed and engaged.

Engage the range to the anti-tip device. Ensure the anti-tip device is re-engaged when the range is moved.

Re-engage the anti-tip device if the range is moved. Do not operate the range without the anti-tip device in place and engaged.

See installation instructions for details.

Failure to follow the instructions in this manual can result in death or serious burns to children and adults.

**Check for proper installation and use of the anti-tip bracket.** Carefully tip the range forward pulling from the back to ensure that the anti-tip bracket engages the range leg and prevents tip-over. The range should not move more than 1" (2.5cm).



---

### Fire Safety

Save these instructions.

Set the burner control so that the flame does not extend beyond the bottom of the pan.

Do not allow aluminum foil, plastic, paper or cloth to come in contact with a hot surface element, burner or grate. Do not allow pans to boil dry.

If the cooktop is near a window, forced air vent or fan, be certain that flammable materials such as window coverings do not blow over or near the burners or elements. They could catch on fire.

Always have a working smoke detector near the kitchen. Never leave the cooktop unattended when in use. Boilovers cause smoking and greasy spillovers may ignite.

---

### WARNING

TO REDUCE THE RISK OF A GREASE FIRE:

- Never leave surface units unattended at high settings. Boilovers cause smoking and greasy spillovers that may ignite. Heat oils slowly on low or medium settings.
- Always turn hood ON when cooking at high heat or when flambéing food (i.e. Crepes Suzette, Cherries Jubilee, Peppercorn Beef Flambé).
- Clean ventilating fans frequently. Grease should not be allowed to accumulate on fan or filter.
- Use proper pan size. Always use cookware appropriate for the size of the surface element.

In the event that personal clothing or hair catches fire, drop and roll immediately to extinguish flames.

Smother flames from food fires other than grease fires with baking soda. Never use water on cooking fires.

Take care that drafts like those from fans or forced air vents do not push the flames so that they extend beyond the edges of the pan.

Have an appropriate fire extinguisher available, nearby, highly visible and easily accessible near the appliance.

---

### WARNING

TO REDUCE THE RISK OF INJURY TO PERSONS IN THE EVENT OF A GREASE FIRE, OBSERVE THE FOLLOWING:

- SMOTHER FLAMES** with a close-fitting lid, cookie sheet, or metal tray, then turn off the burner. **BE CAREFUL TO PREVENT BURNS.** If the flames do not go out immediately, **EVACUATE AND CALL THE FIRE DEPARTMENT.**
- NEVER PICK UP A FLAMING PAN** – You may be burned.
- DO NOT USE WATER**, including wet dishcloths or towels – a violent steam explosion will result.
- Use an extinguisher **ONLY** if:
  - You know you have a Class ABC extinguisher, and you already know how to operate it.
  - The fire is small and contained in the area where it started.
  - The fire department is being called.
  - You can fight the fire with your back to an exit.

Whenever possible, do not operate the ventilation system during a cooktop fire. However, do not reach through fire to turn it off.



# **IMPORTANT SAFETY INSTRUCTIONS**

## READ AND SAVE THESE INSTRUCTIONS

### **Gas Safety**

To prevent carbon monoxide build-up, do not block appliance air vents.

Have the installer show you where the gas shut-off valve is located.

For proper burner performance, keep igniters clean and dry.

If a burner goes out and gas escapes, open windows and doors. Wait until gas dissipates before using the appliance.

**IMPORTANT SAFETY NOTICE:** Burning gas cooking fuel generates some by-products which are on the list of substances which are known by the State of California to cause cancer or reproductive harm. To minimize exposure to these substances, always operate this unit according to the instructions contained in this booklet and provide good ventilation.

---

### **WARNING**

All igniters spark when any single burner is turned on. Do not touch any of the burners when the cooktop is in use.

If you smell gas, your installer has not done a proper job of checking for leaks. If the connections are not perfectly tight, you can have a small leak and, therefore, a faint smell. Finding a gas leak is not a “do-it-yourself” procedure. Some leaks can only be found with the burner control in the ON position and this must be done by a qualified service technician. See Warning on page 4.

---

### **WARNING**

To prevent flare-ups all grates must be properly positioned on the cooktop whenever the cooktop is in use. Each of the feet must be placed into the corresponding dimples in the cooktop. Do not use a grate if the rubber feet are missing or damaged.

Keep the igniter ports clean for proper lighting performance of the burners. It is necessary to clean these when there is a boilover or when the burner does not light even though the electronic igniters click.

---

### **WARNING**

To prevent flare-ups do not use the cooktop without all burner caps and all burner grates properly positioned.

---

### **WARNING**

Do not clean or touch any of the burners when an extra low burner (if equipped) is in use. When the extra low burner automatically reignites the ignitor at the burner will spark.

---

### **WARNING**

Use this appliance only for its intended use as described in this manual. NEVER use this appliance as a space heater to heat or warm the room. Doing so may result in carbon monoxide poisoning and overheating the appliance. Never use the appliance for storage.

---

### **WARNING**

NEVER cover any slots, holes or passages in the oven bottom or cover an entire rack with materials such as aluminum foil. Doing so blocks air flow through the oven and may cause carbon monoxide poisoning. Aluminum foil linings may also trap heat, causing a fire hazard.

### **Burn Prevention**

**DO NOT TOUCH SURFACE UNITS OR AREAS NEAR UNITS** - Surface units may be hot even though they are dark in color. Areas near surface units may become hot enough to cause burns. During and after use, do not touch, or let clothing, potholders, or other flammable materials contact surface units or areas near units until they have had sufficient time to cool. Among these areas are the cooktop and areas facing the cooktop.

Do not heat or warm unopened food containers. Build-up of pressure may cause the container to burst and cause injury.

Use high heat settings on the cooktop only when necessary. To avoid bubbling and splattering, heat oil slowly, on no more than a low-medium setting. Hot oil is capable of causing extreme burns and injury.

Never move a pan of hot oil, especially a deep fat fryer. Wait until it is cool.

Secure all loose garments, etc., before beginning. Tie long hair so that it does not hang loose, and do not wear loose-fitting clothing or hanging garments, such as ties, scarves, jewelry, or dangling sleeves.

Do not place any objects on the projecting control panel in front of the burners. The area becomes very hot during cooking.

### **Child Safety**

When children become old enough to use the appliance, it is the responsibility of the parents or legal guardians to ensure that they are instructed in safe practices by qualified persons.

Do not allow anyone to climb, stand, lean, sit, or hang on any part of an appliance, especially a door, warming drawer, or storage drawer. This can damage the appliance, and the unit may tip over, potentially causing severe injury.

Do not allow children to use this appliance unless closely supervised by an adult. Children and pets should not be left alone or unattended in the area where the appliance is in use. They should never be allowed to play in its vicinity, whether or not the appliance is in use.

# **IMPORTANT SAFETY INSTRUCTIONS**

## READ AND SAVE THESE INSTRUCTIONS

---

### **CAUTION**

---

Items of interest to children should not be stored in an appliance, in cabinets above an appliance or on the backsplash. Children climbing on an appliance to reach items could be seriously injured.

---

### **Cleaning Safety**

**IMPORTANT SAFETY NOTICE:** The California Safe Drinking Water and Toxic Enforcement Act requires the Governor of California to publish a list of substances known to the state to cause cancer, birth defects or other reproductive harm, and requires businesses to warn customers of potential exposure to such substances. The burning of gas cooking fuel and the elimination of soil during self-cleaning can generate some by-products which are on the list. To minimize exposure to these substances, always operate this unit according to the instructions contained in this booklet and provide good ventilation.

---

### **WARNING**

---

Burning gas cooking fuel may create small amounts of carbon monoxide, benzene and formaldehyde. To minimize exposure to these substances, the burners should be adjusted by a certified installer or agency to ensure proper combustion. Ensure proper ventilation with an open window or use a ventilation fan or hood when cooking with gas. Always operate the appliance according to the instructions in this manual.

---

After a spill or boilover, turn off the burner and allow the cooktop to cool. Clean around the burner and burner ports. After cleaning, check for proper operation.

Do not clean the appliance while it is still hot. Some cleaners produce noxious fumes when applied to a hot surface. Wet clothes and sponges can cause burns from steam.

### **Cookware Safety**

Hold the handle of the pan when stirring or turning food. This helps prevent spills and movement of the pan.

Use Proper Pan Size.

The use of undersized cookware will expose a portion of the heating element or burner to direct contact and may result in ignition of clothing. Select cookware having flat bottoms large enough to cover the surface heating unit. This appliance is equipped with one or more surface units of different sizes. Proper relationship of cookware to heating element or burner will also improve efficiency. Always position handles of utensils inward so they do not extend over adjacent work areas, burners, or the edge of the cooktop. This reduces the risk of fires, spills and burns.

Adjust burner flame size so that it does not extend beyond the edge of the cookware. Proper relationship of cookware to burner flame reduces safety risks.

### **Proper Installation and Maintenance**

Have the installer show you the location of the circuit breaker or fuse. Mark it for easy reference.

This appliance must be properly installed and grounded by a qualified technician. Connect only to properly grounded outlet. Refer to Installation Instructions for details.

This appliance is intended for normal family household use only. It is not approved for outdoor use. See the Statement of Limited Product Warranty. If you have any questions, contact the manufacturer.

Do not store or use corrosive chemicals, vapors, flammables or nonfood products in or near this appliance. It is specifically designed for use when heating or cooking food. The use of corrosive chemicals in heating or cleaning will damage the appliance and could result in injury.

---

### **WARNING**

---

Failure to operate knobs properly may result in personal injury and damage to the appliance.

---

This appliance is not intended for operation with an external time switch or external remote control.

Do not operate this appliance if it is not working properly, or if it has been damaged. Contact an authorized service provider.

Do not repair or replace any part of the appliance unless specifically recommended in this manual. Refer all servicing to a factory authorized service provider.

To avoid electrical shock hazard, before servicing the appliance, switch power off at the service panel and lock the panel to prevent the power from being switched on accidentally.

### **Proposition 65 Warning:**

This product may contain a chemical known to the State of California, which can cause cancer or reproductive harm. Therefore, the packaging of your product may bear the following label as required by California:

**STATE OF CALIFORNIA PROPOSITION 65 WARNING:**

 **WARNING**

Cancer and Reproductive Harm - [www.P65Warnings.ca.gov](http://www.P65Warnings.ca.gov)

# **IMPORTANT SAFETY INSTRUCTIONS**

READ AND SAVE THESE INSTRUCTIONS

## **Conversion to Propane Gas**

---

### **WARNING**

---

Personal injury or death from electrical shock may occur if the appliance is not installed by a qualified installer or electrician.

Any additions, changes or conversions required in order for this appliance to satisfactorily meet the application needs must be made by a qualified technician.

---

### **WARNING**

**This conversion kit shall be installed by a qualified service agency in accordance with the manufacturer's instructions and all applicable codes and requirements of the authority having jurisdiction. If the information in these instructions is not followed exactly, a fire, explosion or production of carbon monoxide may result causing property damage, personal injury or loss of life. The qualified service agency is responsible for the proper installation of this kit. The installation is not proper and complete until the operation of the converted appliance is checked as specified in the manufacturer's instructions supplied with the kit.**

## **High Altitude Installation**

This appliance has been tested for operation up to an altitude of 10,000 ft (3,048 m) elevation above sea level.

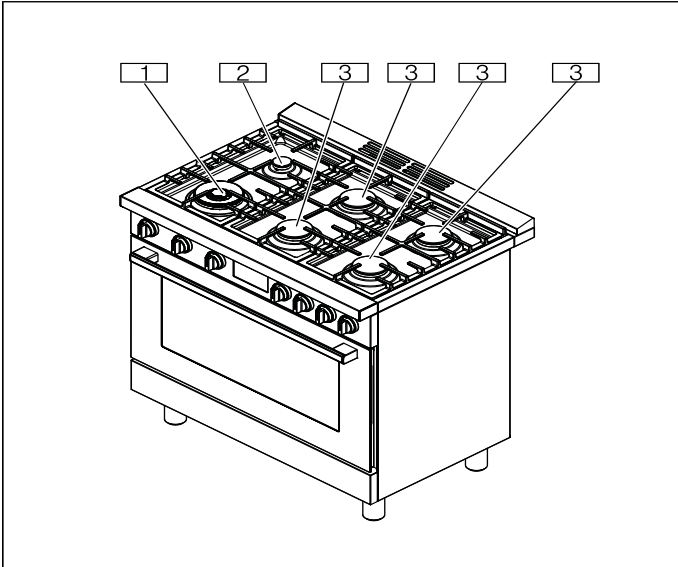
If desired, for altitudes above 2,000 ft (610 m) elevation above sea level, adjustments may be made. Burners should be checked at the lowest setting, if the flame is not stable the simmer should be increased until the flame is stable. This can be done by adjusting the bypass screw in the valve. If flame performance is satisfactory, adjustment will not be required. It is required that a Certified Professional make the high altitude adjustments during installation. High altitude nozzle sets for natural gas and propane gas are available for installations at 2,000-6,500 ft (610-1,981 m) or 6,501-10,000 ft (1,982-3,048 m) if the adjustments using the bypass screw don't resolve performance issues.



# Getting Started

## Parts and Accessories

36"



No.	Designation
1	Dual-flame burner (18,000 BTU/ 5.3 kW)
2	Small burner (5,000 BTU/ 1.5 kW)
3	Large burner (10,000 BTU/ 2.9 kW)
	Bake burner (17,000 BTU/ 5.0 kW)
	Broiler, 30" range (11,500 BTU/ 3.4 kW)
	Broiler, 36" range (14,000 BTU/ 4.1 kW)

## Burner Cap Placement

### Sealed burners

Your new cooktop has sealed gas burners. There are no burner parts under the cooktop to clean, disassemble or adjust. Your cooktop has three different burner sizes: small, large and dual-flame.

#### ▲ WARNING

To prevent flare-ups, do not use the cooktop without all burner caps and all burner grates properly positioned.

#### ▲ WARNING

To prevent burns, do not touch burner caps or grates while hot. Turn the cooktop off and allow the burners to cool.

The burner parts must be correctly positioned for the cooktop to function properly. If the burner parts are not correctly positioned, one or more of the following problems may occur:

- Burner flames are too high.
- Flames shoot out of burners.
- Burners do not ignite.
- Burner flames light unevenly.
- Burner emits gas odor.

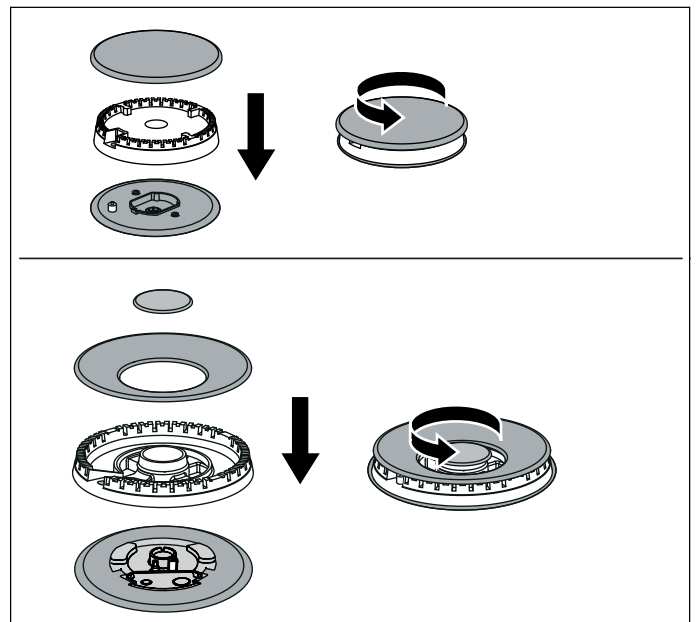
### Burner Cap and Burner Base Placement

After electrical connection is complete, place each burner base on the corresponding location on the cooktop. One of the three bars on the burner base should line up with the notch and prevent the base from rotating. The small hole or cutout near the edge should also line up with the igniter. Pay special attention to avoid damaging the igniter during installation of the base. See Illustration below.

Once each base is located and resting evenly, place each burner cap on its correct burner base. See Illustration.

Place burner cap gently on top of base so that the prongs of the burner base fit snugly into the groove of the burner cap.

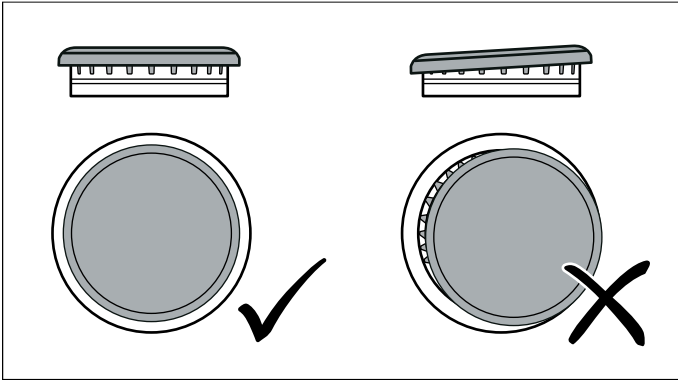
If the maintop is removed by a certified installer (for example to check electrical or piping connection) the panhead screws that were removed must be re-installed to ensure proper functionality of burners.



### Checking Burner Cap Placement

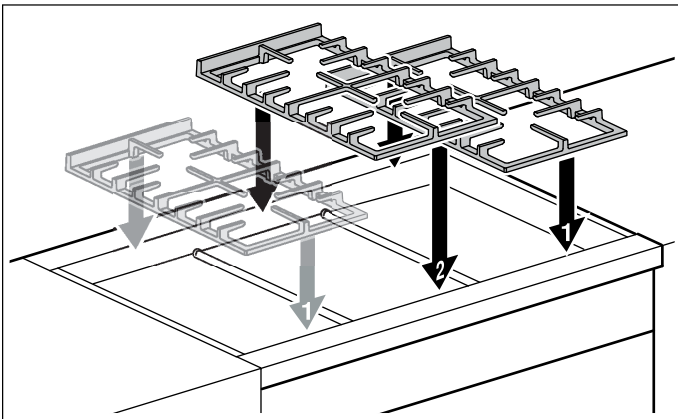
Check to make sure that there is no gap between the burner cap and burner base. See illustration below for correct and incorrect placements of the burner cap.

You may gently try to move the burner cap from side to side to check if it is properly placed. If properly placed, the cap will click from side to side as the prongs hit the groove ridge.



### Install Grates

First position the outer grates, followed by the the central grate. If you only have two grates, the order in which you position them is not relevant.

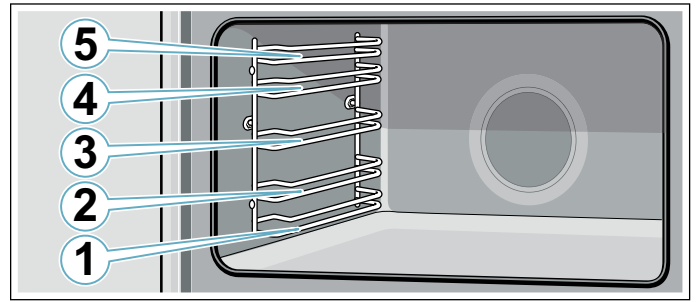


### Inserting Racks

#### ⚠ CAUTION

- To avoid burns, place oven racks in desired positions before turning oven on. Always use oven mitts when the oven is warm. If a rack must be moved while the oven is hot, do not let oven mitts contact hot heating elements.
- Use caution when removing oven racks from the lowest rack position to avoid contact with the hot oven door.
- To avoid possible injury or damage to the appliance, ensure racks are installed exactly per installation instructions and not backwards or upside down.

The wire rack can be inserted into the cooking compartment at five different levels. Always push accessories in fully so that they do not touch the door panel. Make sure that you always insert the accessories into the cooking compartment the right way round.

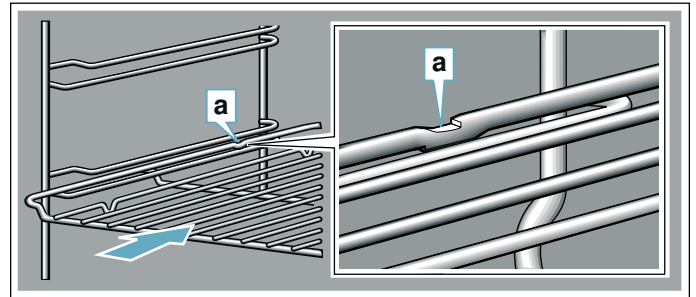


### Flat Rack

The rack is designed with a stop so it will stop before coming completely out of the oven and not tilt.

To insert wire rack into oven:

1. Grasp rack firmly on both sides.
2. Insert rack (see picture).



3. Tilt rack up to allow stop into rack guide.
4. Bring rack to a horizontal position and push the rest of the way in.  
Rack should be straight and flat, not crooked.

To remove Flat Rack from Oven:

1. Grasp rack firmly on both sides and pull rack toward you.
2. When the stop is reached, tilt rack up and pull the rest of the way out.

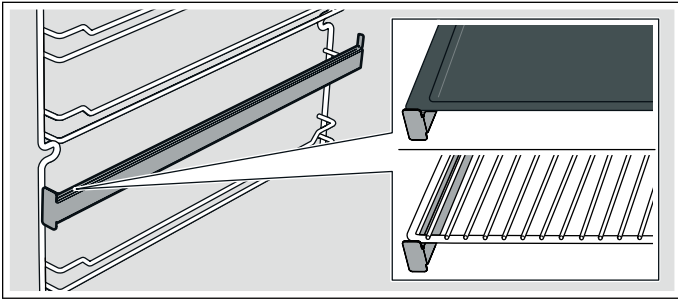
### Telescopic Rail

#### ⚠ WARNING

##### RISK OF BURNS

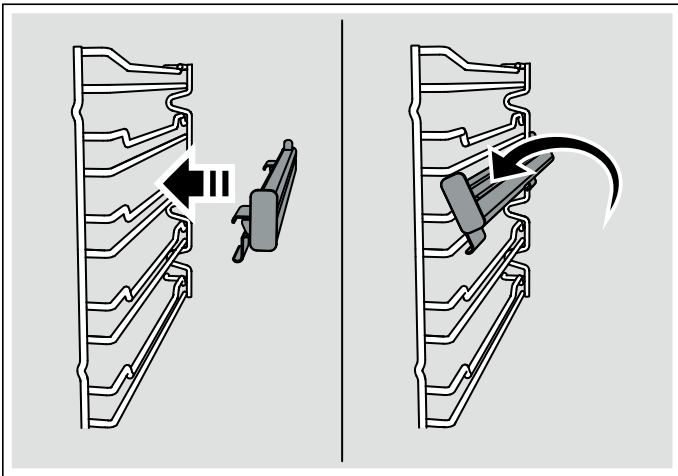
The telescopic shelves become hot when the appliance is in use. You must take great care to avoid burning yourself when they are pulled out.

The telescopic rails allow you to pull accessories out completely. When inserting the baking tray and roasting shelf, ensure that it locks into place in front of the tab on the telescopic rails.

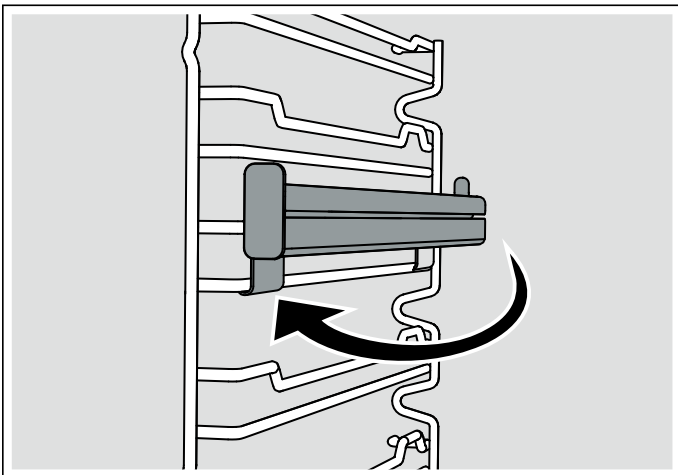


**To insert Telescopic Rail into Oven:**

1. Hang the upper part of the rail into the rack.



2. Clip the lower part of the rail into the rack.



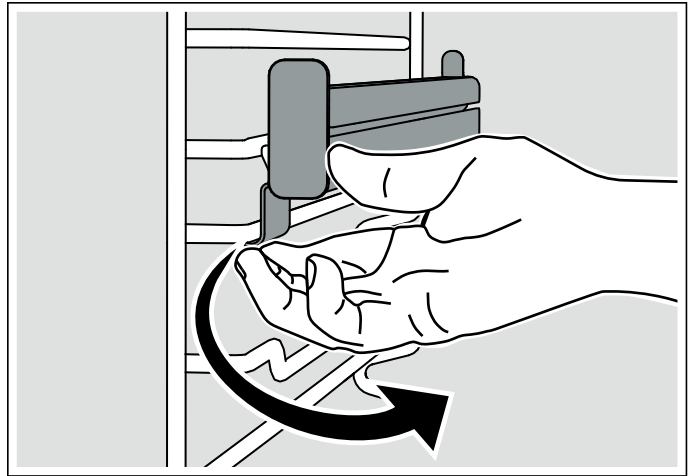
3. Slide the movable part of the telescopic rack in and out a few times to make sure it is able to move freely and that the non-moving part of the telescopic rack is securely anchored.

**▲ CAUTION**

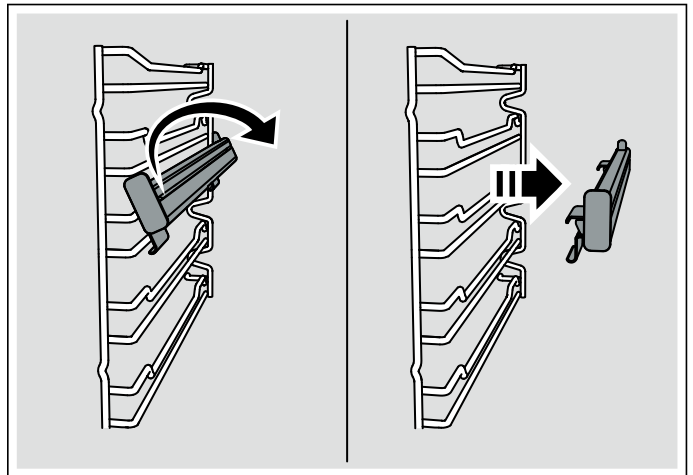
To avoid possible injury or damage to the appliance, ensure the telescopic rack is installed exactly per installation instructions and not backwards or upside down.

**To Remove Telescopic Rail from the Oven:**

1. Pull the lower part of the rail away from the rack.



2. Hang the upper part of the rail out of the rack.



**Accessories Included**

Your appliance is equipped with the following accessories:

<b>Wire rack</b>	Use: Inserting cake pans, baking dishes, cookware, meat and frozen meals. 36" order number: 11034062
<b>Telescopic rail</b>	Use: Pulling wire rack out further without tipping. Order number: 12029918

## Special Accessories (not included)

<b>Wok ring</b>	Use: Only suitable for dual-flame burners. Use cookware with a rounded bottom. Order number: HEZ9GW23UC
<b>Griddle</b>	Use: The griddle plate allows meals that are usually cooked in a pan to be prepared with reduced fat. Order number: HEZ9GR41UC

<b>Side panel extension</b>	Use: Side cover for appliances without adjacent kitchen units.
<b>Low back guard</b>	Use: Cover for the wall behind the cooktop.

## Operating the cooktop

### Before Using the Appliance for the First Time

- Remove all packing materials and literature from the cooktop surface.
- Wipe with a clean, damp sponge and dry.
- There may be a slight odor during the first several uses. This is normal and will disappear.
- Optimum cooking results depend on the proper cookware being selected and used. See “Choosing Cookware - Cookware Recommendations”.
- Read all safety precautions and Use and Care Manual information prior to operating.

### About the Appliance

Use the cooktop for surface cooking applications such as boiling, frying, simmering, steaming and sautéing.

#### **▲ WARNING**

The burning of gas cooking fuel can create small amounts of carbon monoxide, benzene, formaldehyde and soot. To minimize exposure to these substances, the burners should be adjusted by a certified installer or authorized servicer to ensure proper combustion. Ensure proper ventilation with an open window or use a ventilation fan or hood when cooking with gas. Always operate the unit according to the instructions in this manual.

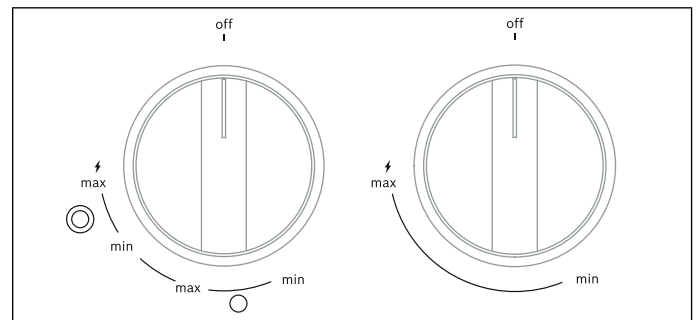
#### Control Knobs

The cooktop has one control knob for each burner. Push in and turn to the left to light and set the desired heat setting.

#### **▲ WARNING**

Failure to operate knobs properly may result in personal injury and damage to the appliance.

The cooktop has standard burner controls.



#### Symbol Meaning

off	Cooking zone switched off
min	Minimum power
max	Maximum power
o	Inner flame switched on
⊙	Inner and outer flame switched on

#### To operate

Select the appropriate control knob, push in and turn counterclockwise to the desired flame setting. With this motion, burner sparking and gas flow will be initiated. Once the flame appears keep the knob pressed in fully for 2-3 seconds before releasing.

**Note:** It is normal that sparks will appear at all burners. Turn off by turning the control knob clockwise to off.

#### In Case of Power Failure

In the event of a power failure, the burners may be lit by an alternate flame source. Hold a lit flame source next to the burner gas exit ports, turn corresponding knob to max position, and remove flame source immediately upon burner lighting.

## Flame Failure Safety System

Your rangetop is equipped with a safety system that cuts off the gas flow in case of flame extinguishes by accident, i.e. because of a strong draft or high amount of spillage – so preventing an escape of unburned gas. This systems requires certain burner start procedure, see above, which means that the knob has to be pressed in completely for some seconds until the thermocouple at burner is heated up by flame and keeps the gas flow.

## Normal Operation - Electronic Ignition

The cooktop uses electronic igniters to light the burners. There is no pilot light. Each burner has its own igniter. All igniters are activated when a control knob is pushed.

### ⚠ CAUTION

To avoid possible injury or damage to the appliance, ensure grates are installed exactly per installation instructions and not backwards or upside down.

The igniter should be clean and dry for proper operation.

- Avoid getting water or food on the igniter.
- If the igniter is wet or soiled, it may spark without igniting the burner, or even spark continuously when a flame is present.

**Note:** If the burner does not light within 4 seconds, turn the burner off. Check to see that the burner cap is positioned correctly on the burner base and the igniter is clean and dry. Wait at least 5 minutes before igniting the burner again. If a burner still fails to ignite, see “Before Calling for Service”.

## Griddle

To cook most foods on the griddle, the surface must be pre-heated. The burner power may require adjustment if the griddle is used for a long time.

### Before First Use

Before using your new griddle, wash it in hot, soapy water, rinse and dry.

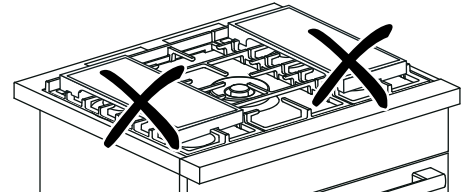
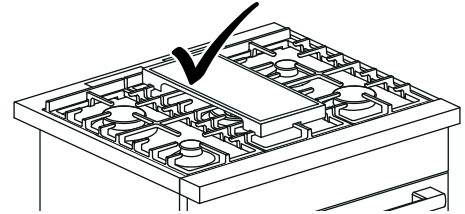
### Installing the Griddle

The griddle is customized to fit only on the grates illustrated below.

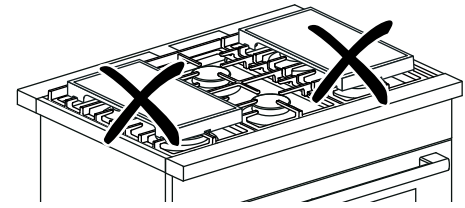
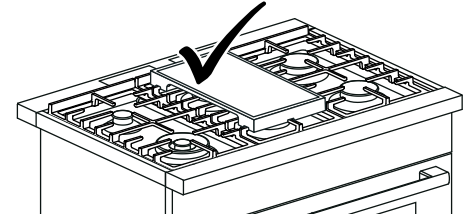
### ⚠ WARNING

Place and remove the griddle only when all grates and the griddle have cooled down and all burners are off.

HGS8055UC  
HGS8045UC  
HDS8055U  
HDS8055C  
HDS8045U  
HDS8045C



HGS8655UC  
HGS8645UC  
HDS8655U  
HDS8655C  
HDS8645U  
HDS8645C



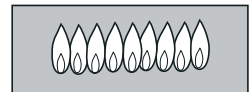
## Typical flame characteristics

The burner flame should be blue in color and stable with no yellow tips, excessive noise or fluttering. It should burn completely around the burner cap.

### Checking the flame characteristics:

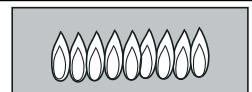
#### Yellow flames:

Further adjustment is required.



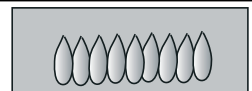
#### Yellow tips on outer cones:

Normal for propane gas.



#### Soft blue flames:

Normal for natural gas.



#### Orange flames:

Can be normal if certain types of humidifiers are used in the home. Flames should return to blue without the humidifier running.

- If the flame is completely or mostly yellow, verify that the regulator is set for the correct fuel. Retest after adjustment.
- Some yellow streaking is normal during the initial start-up. Allow the appliance to operate for 4–5 minutes and reevaluate before making adjustments.
- Foreign particles in the gas line may cause an orange flame during initial use. This should disappear with use. Check the burner to make sure that port holes are not obstructed. If the ports are clogged → *Page 29*

**Note:** An audible "pop" may be heard when the burner is turned off manually. The "popping" may be louder with propane gas than with natural gas. This is normal.

## Getting the Most Out of Your Appliance

### Cooking suggestions for best results

- Boil water in covered pot on High using largest burner for best results. If water boils over, turn to a lower setting.
- When melting chocolate or butter, use smallest burner with a water bath for best results.
- When simmering, bring food to a boil first. Stir well to be sure all the food is boiling, then cover and reduce the flame to the desired setting to simmer.
- There should be steam and slight quivering of the liquid's surface while simmering.
- Use a lid to keep a more constant cooking temperature and heat food faster.

- Check the food occasionally to see if the control knob should be turned to a lower or higher setting.
- It is normal to stir food occasionally.
- Center the pan over the burner before turning the burner on.
- Use proper cookware.
- Refer to the settings recommendations in the following chart for suggested settings.

### Settings recommendations

Uses	Heat setting
Boiling (i.e. water, stock, etc.)	High
Pan frying, sautéing, browning meat, deep frying	Medium High
Shallow frying, eggs, pancakes, bacon	Medium
Steaming, braising	Medium Low
Melting chocolate, melting butter, simmering sauces, soups and stews (i.e. tomato sauce, alfredo sauce, beef stew, etc.)	Low

### Standard Burner Cooking

The table lists the optimal heating setting for various dishes. The temperature and cooking time depend on the amount, composition and temperature of the food. Setting ranges are indicated for this reason. Try using the lower values at first. During cooking heat may be increased.

### Standard Burner Cooking Table

Food	Burner	Heat Level Start Cooking (boil, melt, brown, fry, etc.)	Heat Level Continue Cooking (simmer, braise, poach, hold, etc.)
<b>Beverages</b>			
Mulled Cider	Dual Flame Large	High	Medium Low
Hot Chocolate	Dual Flame Large	Medium High	Low
Tea	Small	High	Low
<b>Breads</b>			
French toast	Dual Flame Large	Medium	Medium-Medium Low
Pancakes	Dual Flame Large	Medium	Medium-Medium Low
Grilled Sandwiches	Dual Flame Large	Medium	Medium-Medium Low
<b>Cereals</b>			
Beans	Dual Flame Large	High	Medium-Medium Low
Cornmeal/Polenta	Large	High	Medium-Medium Low
Grits	Large	High	Medium-Medium Low
Oatmeal	Large	High	Medium-Medium Low

### Deep Frying



<b>Food</b>	<b>Burner</b>	<b>Heat Level Start Cooking (boil, melt, brown, fry, etc.)</b>	<b>Heat Level Continue Cooking (simmer, braise, poach, hold, etc.)</b>
French Fries	Dual Flame	Medium High	Medium High
Donuts	Dual Flame	Medium High	Medium High
<b>Desserts</b>			
Pie Filling, Fruit Compote	Small	Medium Low	Medium-Medium Low
Pudding	Small	Medium Low	Medium-Medium Low
Poached Fruit	Dual Flame Large	High-Medium High	Medium-Medium Low
<b>Eggs</b>			
Fried	Dual Flame Large	Medium High	Medium Low
Scrambled	Dual Flame Large	Medium High	Medium Low-Low
<b>Meat, Fish, Poultry</b>			
Bacon, Sausage Patties	Dual Flame	Medium High	Medium-Medium Low
Braising: Swiss Steak, Pot Roast, Stew Meat	Dual Flame	Medium High	Low
Shallow Frying: Chicken, Fish	Dual Flame	Medium	Medium-Medium Low
Pan Frying: Lamb Chops, Thin Steaks, Hamburgers, Link Sausage	Dual Flame	Medium High	Medium
Simmering: Stewed Chicken, Corned Beef, Poaching Fish	Dual Flame	High	Medium Low
<b>Pasta</b>			
All types	Dual Flame Large	High	High
<b>Rice</b>			
White Rice	Large	High	Low
Brown Rice	Large	High	Low
<b>Sauces</b>			
Tomato Sauce: Marinara, Bolognese	Dual Flame	High	Low
Cream Sauce: Alfredo, Queso	Dual Flame	Medium	Low
Butter Sauce: Bearnaise, Hollandaise	Large Small	Medium	Low
<b>Soups and Stocks</b>			
Cream Soup	Dual Flame Large	Medium	Low
Broth Soup	Dual Flame Large	High	Low
Stock: Beef, Chicken, Vegetable	Dual Flame Large	High	Low
<b>Vegetables</b>			
Fresh	Large Small	High	Medium
Frozen	Large Small	High	Medium

# Notes Regarding Cookware

The following information and tips have been provided to help you save energy and avoid damaging your cookware.

## Suitable Cookware

Burner	Recommended pan base diameter
Small burner	5" - 8" (127 - 203 mm)
Large burner	7" - 9½" (178 - 240 mm)
Dual-flame burner	7" - 11" (178 - 280 mm)

**Pans with a diameter of less than 4.7" (120 mm) or more than 11.0" (280 mm) should not be used.** If you do use larger pans, these should not protrude beyond the edges of the appliance.

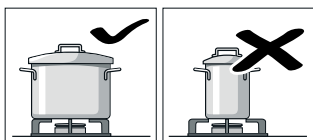
## Cookware Recommendations

**Note:** When using certain pots or pans, a slight and temporary deformation of the steel cooking surface may occur. This is normal and does not affect the functionality of the appliance.

### Proper Cookware

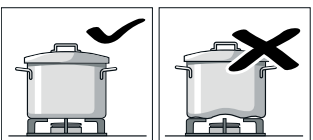
- Aluminum or copper bottomed pans conduct heat evenly.
- Steel pan, if not combined with other metals, may cook unevenly.
- Cast-iron cookware absorbs heat slowly and cooks more evenly at low-to-medium settings.
- Flat heavy bottoms pans provide even heat and stability.
- DO NOT USE pans that are thin, warped, dented or ridged as they heat unevenly.

## Information for Use



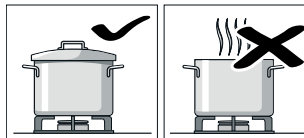
Use cooking vessels of appropriate size for the particular burner.

Don't use small cooking vessels on large burners. The flame shouldn't come in contact with the sides of the cooking vessel.

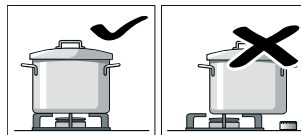


Don't use any deformed cooking vessels that don't stand solidly on the cooktop. The vessels could tip over.

Only use cooking vessels with flat and thick bottoms.

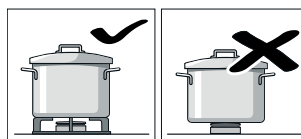


Don't cook without a lid or if the lid is not on all the way. The majority of the heat is lost.



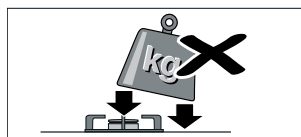
Place the cooking vessel in the center of the burner, otherwise it may tip over.

Don't place large pots on the burners near the stove controls. They could overheat and become damaged.



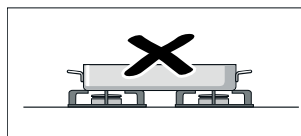
Place the pots on the pan supports, never directly onto the burners.

Prior to use, ensure that the pan supports and lids of the gas burners are positioned correctly.



Handle vessels carefully on the cooktop.

Don't bang the cooktop and don't place any heavy weights on it.



Never heat a cooking vessel (e.g. roasting tin, pan, cooking stone) with multiple burners, except of the griddle plate. The resulting accumulation of heat causes damage to the appliance.

# Cleaning and Maintenance-Cooktop

## Cleaning

The entire cooktop can be safely cleaned by wiping with a soapy sponge, then rinsing and drying. If stubborn soil remains, follow the recommended cleaning methods below.

### Cleaning recommendations:

- Always keep the appliance area clear and free from combustible materials, gasoline, and other flammable vapors and liquids.
- Always use the mildest cleaner that will do the job. Use clean, soft cloths, sponges or paper towels.
- Rub stainless steel finishes in the direction of the grain. Wipe area dry to avoid water marks.
- Before cleaning, be certain the burners are turned off and the grates and burners are cool.
- Do not clean removable cooktop parts in any self cleaning oven or dishwasher.
- Do not obstruct air flow around cooktop burners, range backguard and door area.
- After cleaning, place all parts in their proper positions before using cooktop.

- For proper burner performance, keep igniters clean and dry.
- Keep the igniter ports clean for proper lighting performance of the burners. It is necessary to clean these when there is a boilover or when the burner does not light even though the electronic igniters click.
- Do not use flammable cleansers such as lighter fluid.
- Do not use chlorine based cleaners.
- Always test cleaners on a small inconspicuous area first.

### ▲ CAUTION

All igniters spark when any single burner is turned on. Do not touch any of the burners when the cooktop is in use.

## Cleaning Guidelines

The cleaners recommended below and on the following page indicate a type and do not constitute an endorsement of a particular brand. Use all products according to package directions.

Cooktop part / material	Suggested cleaners	Important reminders
Burner base / aluminum alloy	<ul style="list-style-type: none"> <li>• Detergent and hot water; rinse and dry thoroughly.</li> <li>• Stiff nylon bristle tooth brush to clean port openings.</li> <li>• Abrasive cleansers: Brillo® or S.O.S.® pads. Rinse and dry.</li> </ul>	<ul style="list-style-type: none"> <li>• Do not scratch or gouge the port openings.</li> <li>• Clean ports with a wire or straightened paper clip.</li> <li>• Do not use a toothpick that may break off.</li> <li>• Do not soak burner bases.</li> </ul>
Burner cap / porcelain enamel	<ul style="list-style-type: none"> <li>• Detergent and hot water; rinse and dry thoroughly.</li> <li>• Nonabrasive Cleansers: Omit ammonia, Fantastic®, Formula 409®.</li> <li>• Mild Abrasive Cleansers: Bon Ami®, Ajax®, Comet®.</li> <li>• Liquid cleaners: Bar Keeper's Friend®, Soft Scrub®.</li> <li>• Bar Keeper's Friend Soft Cleanser Liquid®.</li> <li>• Reassemble. Make sure that the cap is seated on the base.</li> </ul>	<ul style="list-style-type: none"> <li>• Acidic and sugar-laden spills deteriorate the porcelain enamel.</li> <li>• Remove soil immediately after unit has cooled enough to touch.</li> <li>• Do not use wet sponge or towel on hot porcelain.</li> <li>• Do not soak burner caps.</li> <li>• Always apply minimal pressure with abrasive cleaners.</li> <li>• Dry thoroughly after cleaning.</li> </ul>
Control knobs and bezels	<ul style="list-style-type: none"> <li>• Detergent and hot water; rinse and dry thoroughly.</li> <li>• To remove knobs, pull outward.</li> </ul>	<ul style="list-style-type: none"> <li>• Do not soak knobs.</li> <li>• Do not use abrasive scrubbers or cleansers, such as Bon Ami®, Ajax®, or Comet®. They may permanently damage the finish or remove graphics.</li> </ul>

Cooktop part / material	Suggested cleaners	Important reminders
Exterior finish / stainless steel	<ul style="list-style-type: none"> <li>• Nonabrasive Cleaners: Hot water and detergent, Fantastic®, Formula 409®. Rinse and dry immediately.</li> <li>• Bosch Stainless Steel Conditioner (Order number: 00576696)</li> <li>• Cleaner Polish: Stainless Steel Magic® to protect the finish from staining and pitting; enhances appearance.</li> <li>• Hard water spots: Household white vinegar.</li> <li>• Mild Abrasive Cleaners: Bon Ami®.</li> <li>• Heat discoloration: Bar Keepers Friend®</li> </ul>	<ul style="list-style-type: none"> <li>• Do not use steel wool pads. They will scratch the surface.</li> <li>• Stainless steel resists most food stains and pit marks providing the surface is kept clean and protected.</li> <li>• Never allow food stains or salt to remain on stainless steel for any length of time.</li> <li>• Rub lightly in the direction of the grain.</li> <li>• Chlorine or chlorine compounds in some cleaners are corrosive to stainless steel. Check ingredients on label before using.</li> </ul>
Grates and grate bridge / porcelain enamel on cast iron	<ul style="list-style-type: none"> <li>• Nonabrasive cleaners: Hot water and detergent, Fantastic®, Formula 409®. Rinse and dry immediately.</li> <li>• Mild abrasive cleaners: Bon Ami® and Soft Scrub®.</li> <li>• Abrasive cleaners for stubborn stains: soap-filled steel wool pad.</li> <li>• You may also clean the burner grates in the dishwasher. Remove any burnt-on food prior to placing the burner grates in the dishwasher. Place them on the lowest rack of dishwasher and use the dishwasher manufacturer's recommended detergent.</li> </ul>	<ul style="list-style-type: none"> <li>• The grates are heavy; use care when lifting. Place on a protected surface for cleaning.</li> <li>• Blisters/ crazing/ chips are common due to the extreme temperatures on grate fingers and rapid temperature changes.</li> <li>• Acidic and sugar-laden spills deteriorate the enamel. Remove soil immediately after unit has cooled enough to touch.</li> <li>• Abrasive cleaners, used too vigorously or too often can eventually mar the enamel.</li> <li>• Do not clean in a self-cleaning oven.</li> </ul>
Igniters / ceramic	<ul style="list-style-type: none"> <li>• Carefully wipe with a cotton swab dampened with water or Formula 409®.</li> <li>• Gently scrape soil off with a toothpick.</li> </ul>	<ul style="list-style-type: none"> <li>• Avoid excess water on the igniter. A damp igniter will prevent burner from lighting.</li> <li>• Remove any lint that may remain after cleaning.</li> </ul>

## Burnt-on Dirt

For hard-to-remove, burnt-on dirt, you can order a cleaning gel from our online shop, from your specialist retailer or our Customer Service (item number 00311859). It is suitable for pan supports and the stainless steel recess. If necessary, let the dirt soak overnight. Follow the instructions on the cleaning agent.

**NOTICE:** DAMAGE TO THE SURFACE -

Do not use the cleaning gel on the burner parts.

# Operating the Oven

## Before Using the Appliance for the First Time

- There may be a slight odor during the first several uses. This is normal and will disappear.
- Read all safety precautions and Use and Care Manual information prior to operating.

## Setting the time

Once the appliance is connected to a power supply, **12:00** flashes on the display. Set the time.

1. Use the or button to set the time.
2. Press the button.

**Note:** Once the period allowed for setting the time on the clock has elapsed, the time will automatically be saved.

The time has now been set.

## Prepping the oven

1. Remove the accessories and the rack guides from the cooking compartment.
2. Completely remove any leftover packaging, e.g. small pieces of polystyrene, from the cooking compartment.
3. Remove protection film from parts.
4. Clean the outside of the appliance with a soft, damp cloth.
5. Clean the oven cavity with hot soapy water.

## Initial start up

In order to prevent excess smoke and odor from manufacturing oils, heat up the oven for the first time when it is empty and closed.

**Note:** Make sure that there is no leftover packaging, such as polystyrene pellets, in the oven cavity. Before heating the appliance, wipe the smooth surfaces in the oven cavity with a soft, damp cloth. Keep the kitchen ventilated while the appliance is heating.

1. Operate the cooktop burners to ensure they all light and air is out the gas system. Follow instructions → *Page 12*
2. Turn off the cooktop burners.
3. Operate the oven by firmly pushing in the oven temperature control knob and holding for two seconds.  
The cooling fan will come on and the sparking will be heard.
4. Turn the knob counter-clockwise to bake 500°F and release.  
The oven will begin to heat and the ignition sparking will stop after a few seconds.
5. After about one hour, turn the oven temperature control clockwise to off.
6. Push in and turn the oven temperature control knob clockwise to Broil and release

7. After about 10 minutes, turn the knob clockwise to off.
8. Once oven has cooled wipe out with hot soapy water and replace rack guides.

**Note:** When the appliance is heating up for the first time, you may hear crackling noises coming from the oven.

## Cleaning the accessories

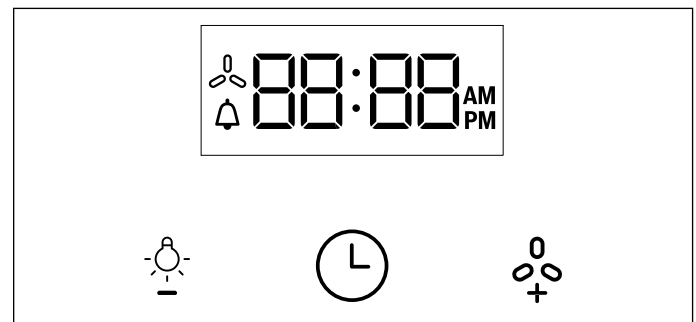
Before using the accessories, clean them thoroughly using a cloth and warm soapy water.

## Fitting the telescopic rack set

Instructions on fitting the telescopic rack set are enclosed with the set.

## About the Appliance

### Oven control panel



### Buttons

- Oven light / minus
- Time functions
- Convection fan / plus

**Note:** You only need to press lightly on the buttons to operate them.

### Display

- Convection fan on
- Kitchen timer
- AM/PM Time

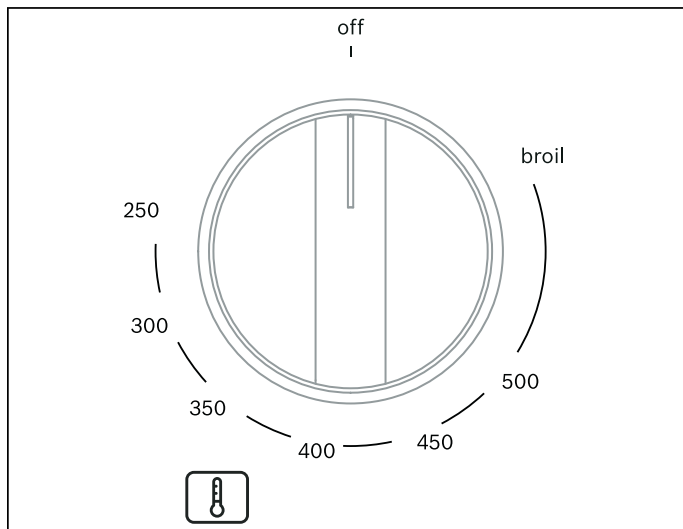
## Control knobs

### ▲ WARNING

Failure to operate knobs properly may result in personal injury and damage to the appliance.

## Oven

Set the temperature for the bake burner or the broiler using the control knob for the oven.



Symbol	Meaning
off	Oven switched off
250-500	Oven baking temperature
broil	Switching on the gas broiler

**To operate:** Push the oven temperature control knob in firmly and turn counter clockwise to bake or clockwise to broil. The sparking will start with this motion and ignite the flame at according burner.

Turn off by turning the control knob clockwise to off.

### Notes

- The oven has a push and turn feature to limit gas flow if the control is not pressed firmly in for a few seconds prior to turning the oven to the desired temperature.
- Broil has only one setting, at the position marked broil.
- Do not try to turn the oven control knob from broil to bake temperatures clockwise, or from bake temperatures to broil counter-clockwise. The control needs to go to off then change to bake or broil.

## Time-setting Options

### Setting the electronic clock

To set the clock the oven must be switched off.

1. Press and hold the ⏸ button until : flashes.
2. Change the time using the ⏪ and ⏩ buttons.
3. Press ⏹ button.

## Setting the short-term timer

The short-term timer has no effect on how the oven operates. The duration of the short-term timer can be set from 30 seconds to 23 hours and 59 minutes.

1. Press the ⏸ button.

The ⏸ symbol flashes and the display shows **00:00**.

2. Use the ⏪ and ⏩ buttons to set the desired time for the timer.

An audible signal sounds once the time has elapsed.

### Notes

- To change the remaining time, press the ⏸ button. Then use the ⏪ and ⏩ buttons to change the remaining time.
- To cancel the short-term timer, press the ⏸ button. Then set the remaining time to zero using the ⏪ and ⏩ buttons.

## Switching off the signal tone

Press any button to switch off the audible signal.

**Note:** After 7 minutes, the audible signal will stop automatically.

## Changing the signal tone

Three different signal tones are available.

1. Press and hold the ⏪ and ⏩ buttons at the same time for approximately two seconds.
2. Press the ⏸ button.  
The signal tone that is currently selected is shown in the display, e.g. "Tone 1".
3. Press the ⏪ button to select a different signal tone.
4. Press the ⏸ button.

## Oven Features

### Cooling Fan

The cooling fan runs during all cooking modes. The fan can be heard when it is running, and warm air may be felt as it is released from the oven vent. The fan may run until the oven has cooled down.

### Convection Fan

The convection fan is not available for broiling. You can turn on and off the convection fan by pressing ⏪. If the oven door is opened, the convection fan will turn off.

### Oven light

Your appliance is equipped with an oven light. You can turn the oven light on and off by pressing ⏪.

## Surfaces in the oven cavity

The back wall and side parts in the oven cavity are self-cleaning. You can tell this from the rough surface.

The oven cavity floor and ceiling are enameled and have smooth surfaces.

### Notes

- Use an oven tray on the first bottom shelf to collect liquids produced by broiling.
- Use an oven tray to bake food that could release fats or oils, in order to avoid spillage of these substances on the floor plate of the oven.



## Self-cleaning surfaces

The self-cleaning surfaces are coated with a porous, matte ceramic layer. This coating absorbs and dispels splashes from baking and roasting while the appliance is in operation.

---

### ▲ CAUTION

---

Do not use oven cleaner on the self-cleaning surfaces. These will damage the surfaces. If oven cleaner does get onto these surfaces, dab it off immediately using water and a sponge cloth. Do not rub the surface and do not use abrasive cleaning aids.

---

## Getting the Most Out of Your Appliance

### Aluminum Foil

---

### ▲ WARNING

---

Do not use aluminum foil or protective liners to line any part of the appliance, especially the oven bottom. Installing these liners may result in risk of electric shock or fire.

---

### Preheating the oven

- Place oven racks in the required position before heating the oven.
- Always preheat the oven.
- Allow the oven to preheat while preparing recipe ingredients or food items.
- Increasing the oven temperature will require a longer preheat time.
- When the oven has preheated a beep indicator will sound for 2 seconds.
- Once the oven is preheated, place the food in the oven as quickly as possible to minimize the loss of heat and reduction of oven temperature.

### Baking Pans and Dishes

- Glass baking dishes absorb heat. Some cookware manufacturers recommend reducing the temperature by 25°F when using this type of dish. Follow the manufacturers' recommendations.
- Cookie sheets should have at least 1" clearance on all sides.
- Use pans that provide the desired level of browning. For tender, light, golden brown crusts, use light, anodized or shiny metal bakeware.
- Dark, rough or dull pans (nonstick or anodized) will absorb heat and result in a browner, crisper crust. Some manufacturers recommend reducing the temperature by 25°F when using this type of pan. Follow the manufacturers' recommendations.
- Insulated cookie sheets or bakeware may increase the length of cooking time.

- Do not place broil pans or any other heavy objects down on the open oven door.
- Do not store empty pans or pizza stones in the oven during cooking as this changes the cooking performance. Store pans outside of the oven.

### Opening the oven door

Open and close the appliance door only by holding the door handle. To avoid risk of burns, do not touch any other parts of the door.

Open the door as briefly as possible to avoid temperature reduction.

Use the interior oven light to view the food through the oven window rather than opening the door frequently.

### High Altitude Baking

When cooking at high altitudes, recipes and cooking times will vary.

For accurate information, write the Extension Service, Colorado State University, Fort Collins, Colorado 80521. There may be a cost for the guides. Specify which high altitude food preparation guide you prefer: general information, cakes, cookies, breads, etc.

### Condensation

It is normal for certain amount of moisture to evaporate from the food during any cooking process. The amount depends on the moisture content of the food. The moisture may condense on any surface cooler than the inside of the oven, such as the control panel.

### Broil

Broil uses intense heat radiated from the upper element. Broil mode is best suited for cooking thin, tender cuts of meat (1" or less), poultry and fish. It can also be used to brown breads and casseroles. Always broil with the door closed.

The benefits of broiling include:

- Fast and efficient cooking.
- Cooking without the addition of fats or liquids.

### Tips

- Preheat oven for 3–4 minutes. Do not preheat for more than 5 minutes.
- Steaks and chops should be at least 3/4" thick.
- Brush fish and poultry with butter or oil to prevent sticking.
- Use broiler pan with grid when broiling.
- Do not cover the broil grid with foil. It is designed to drain fats and oils away from the cooking surface to prevent smoking and spattering.
- Turn meats (other than fish) once during the recommended cooking time. Fish does not need to be turned.
- When browning the top of casseroles, use only metal or glass ceramic dishes.
- Never use heat-proof glass; it cannot tolerate the high temperature.

# Cleaning and Maintenance-Oven

To avoid electrical shock hazard, before servicing the appliance, switch power off at the service panel and lock the panel to prevent the power from being switched on accidentally.

## Cleaning the Oven

### Avoid These Cleaners

Do not use commercial oven cleaners such as Easy Off®. They may damage the oven finish or parts.

Chlorine or chlorine compounds in some cleansers are corrosive to stainless steel. Check ingredients on label.

Never use scouring pads or abrasive cleaners.

### Oven cleaning guide


Part	Recommendations
Flat rack	Clean with soapy water. Rinse thoroughly and dry, or gently rub with cleansing powder or soap-filled pads as directed.
Telescopic rail	Clean with soapy water. Rinse thoroughly and dry, or gently rub with cleansing powder or soap-filled pads as directed. Avoid getting cleansing powder in the telescopic slides. Re-lubrication may become necessary. Use only high-temperature food-grade lubricants to re-lubricate slides.
Fiberglass gasket	Do not clean the door gasket – The door gasket is essential for a good seal. Care should be taken not to rub, damage or move the gasket.
Glass	Clean with soapy water or glass cleaner. Apply Fantastik® or Formula 409® to a clean sponge or paper towel and wipe clean. Avoid using powder cleaning agents, steel wool pads and oven cleaners.
Painted surfaces	Clean with soapy water or apply Fantastik® or Formula 409® to a clean sponge or paper towel and wipe clean. Avoid using powder cleaning agents, steel wool pads and oven cleaners.

Part	Recommendations
Porcelain surfaces	Immediately wipe up acid spills like fruit juice, milk and tomatoes with a dry cloth when surface is cool enough to touch. Do not use a moistened sponge/cloth on hot porcelain. When cool, clean with soapy water or apply Bon-Ami® or Soft Scrub® to a damp sponge. Rinse and dry. For stubborn stains, use soap-filled pads. It is normal for porcelain to show fine lines with age due to exposure to heat and food soil.
Stainless steel surfaces (HGS8.55UC, HDS8.55.)	Never allow food stains or salt to remain on stainless steel for any length of time. Always wipe or rub in the direction of the grain. Clean with a soapy sponge, then rinse and dry, or wipe with Fantastik® or Formula 409® sprayed onto a paper towel. Protect and polish with Stainless Steel Magic® and a soft cloth. Remove water spots with a cloth dampened with white vinegar. Use Bar Keeper's Friend® to remove heat discoloration. Chlorine or chlorine compounds in some cleansers are corrosive to stainless steel. Check the ingredients on the label.
Black stainless surfaces (HGS8.45UC, HDS8.45.)	For black stainless steel and anti-fingerprint surfaces, use a soft, dry towel. For stubborn dirt, use warm water diluted with a non-abrasive, mild cleansing soap. Never use stainless steel polish.
Plastic & controls	When cool, clean with soapy water, rinse and dry.
Probe (HDS8..5.)	Wipe with soapy water. Do not submerge. Do not wash in the dishwasher.
Printed areas (words & numbers)	Do not use abrasive cleaners or petroleum based solvents.


## Cleaning Self-cleaning Surfaces

### ▲ CAUTION

Do not use oven cleaner on the self-cleaning surfaces. These will damage the surfaces. If oven cleaner does get onto these surfaces, dab it off immediately using water and a sponge cloth. Do not rub the surface and do not use abrasive cleaning aids.

1. Use a microfiber cloth with soapy water to clean the upper and lower part of the self-cleaning surfaces.
2. Set the bake burner to the highest temperature.
3. Press  to switch on air recirculation.
4. Switch off the appliance after one hour.
5. If the side, self-cleaning surfaces are particularly dirty, remove these from the cooking compartment.

**Note:** The self-cleaning surface on the back panel must remain in the cooking compartment.

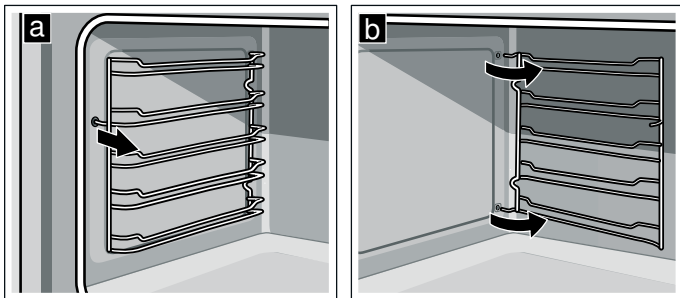
6. Wash the self-cleaning surfaces with hot soapy water.
7. Rinse and dry the self-cleaning surfaces.
8. Insert the self-cleaning surfaces into the cooking compartment.
9. Set the bake burner to 350°F.
10. Press  to switch on air recirculation.
11. Switch off the appliance after one hour.

## Maintenance

### How to Remove the Rack Guides and Self-cleaning Surfaces

The rack guides are fixed to the side panels of the cooking compartment at three points. The self-cleaning surfaces are fixed with the rack guides.

1. When the oven is cool, grip the front of the rack guide and pull it round to the middle of the cooking compartment.  
The front hook of the rack guide will come out of the hole.
2. Swing the rack guide round further and pull it out of the rear holes in the side panel.
3. Remove the rack guides from the cooking compartment.



4. Replace the self-cleaning surfaces and rack guides in the reverse order in which they were removed.

## How to Remove the Oven Door Glass

### ▲ WARNING

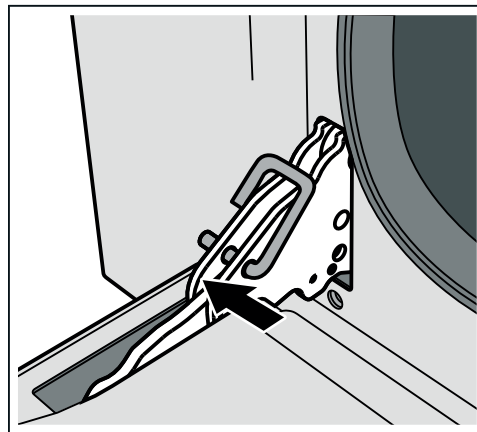
- Make sure oven is cool and power to the oven has been turned off before removing the door. Failure to do so could result in electrical shock or burns.
- The glass panels are big, heavy and parts are fragile. Use both hands to remove the glass. Handle carefully to avoid breakage.
- Failure to grasp the glass firmly and properly could result in personal injury or product damage.
- Do not place the glass on sharp or pointed objects as this could break the glass. Lay on a flat, smooth surface, positioned so that the glass cannot fall over.

### ▲ CAUTION

Wear gloves to avoid cutting fingers on broken glass.

For easier cleaning the internal glass panes of the door can be removed.

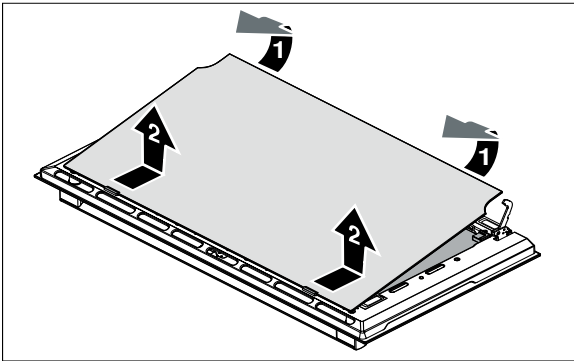
1. Open the oven door fully.
2. Lock the two hinges on the left and right using the locking pin. The locking pins must be fully inserted into the holes in the hinges.



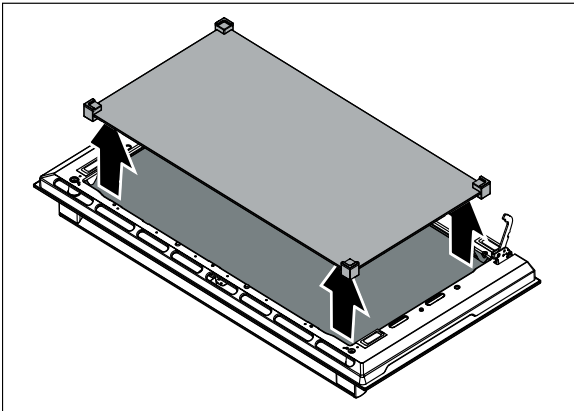
- Remove the internal glass pane by pulling the rear part gently upwards, following the movement indicated by the arrows (1). This way, the first 2 pins attached to the rear of the glass detach from their housings in the oven door. Then, push the glass pane slightly towards the cooking compartment and pull it upwards (2). This way, the other 2 pins attached to the front of the glass detach from their housings in the oven door.

**▲ CAUTION**

Move the glass pane slow to avoid damage to the glass and the cooking compartment frame.



- Remove the intermediate glass pane by lifting it upwards.



- Clean the external glass pane and the panes removed previously. Use absorbent kitchen roll. In case of stubborn dirt, wash with a damp sponge and neutral detergent.
- Reinsert the middle panel.

**Notes**

- If the Low-E symbol can be read, the middle panel is inserted correctly.
  - Make sure that the panel is seated correctly. All rubber mounts must lay flat against the outer panel.
- Reposition the internal glass pane. First insert the front part into the two clips and the 2 pins in the front into their housings. Then insert the 2 pins in the rear into their housings in the oven door by applying slight pressure.

**▲ CAUTION**

Do not use with intermediate glass pane not correctly re-fitted.

- Remove the locking pins and close the oven door.

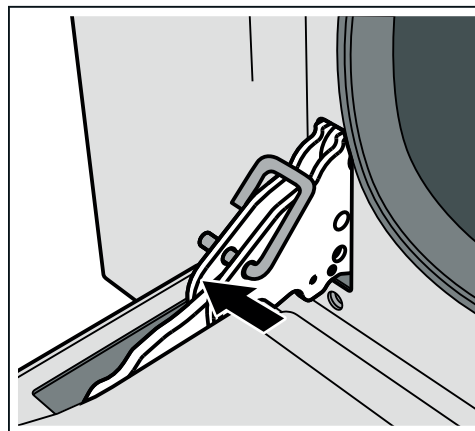
**How to Remove the Oven Door**

**▲ WARNING**

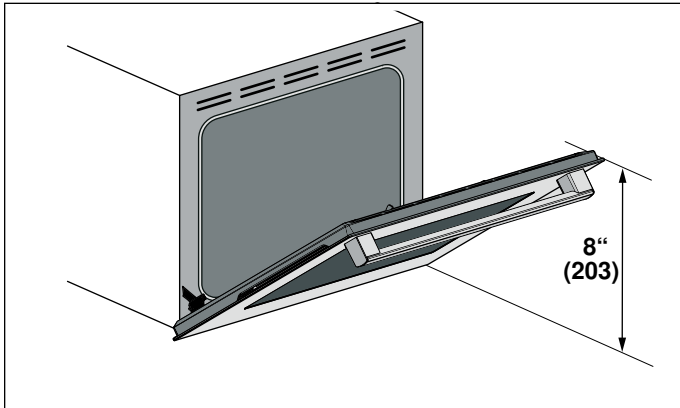
- Make sure the oven is cool and the power to the oven has been turned off before removing the door. Failure to do so could result in electrical shock or burns.
- The oven door is heavy and parts of it are fragile. Use both hands to remove the oven door. The door front is glass. Handle carefully to avoid breaking.
- Grasp only the side of the oven door. Do not grasp the handle as it may swing in your hand and cause damage or injury.
- Failure to grasp the oven door firmly and properly could result in personal injury or product damage.
- To avoid injury from the hinge bracket snapping closed, make sure that both levers are securely in place before removing the door. Also, do not force the door open or closed – this could damage the hinge or result in injury.
- Do not place the removed door down on sharp or pointed objects as this could break the glass. Lay on a flat, smooth surface, positioned so that the door cannot fall over.

To avoid injury or damage, make sure that you read the above WARNING before attempting to remove the oven door.

- Open the oven door to its fully open position.
- Lock the two hinges on the left and right using the locking pin. The locking pins must be fully inserted into the holes in the hinges.



3. Close the oven door until it catches on the hinge stop levers, locking the hinges at the correct angle for door removal. The door can be removed when it is pulled up from the open position by about 8 inches (203 mm). This takes the tension off the spring-loaded hinges so that the door can be easily lifted out.



**⚠ CAUTION**

**RISK OF PINCHING**

Closing the door by 8" (203 mm) takes the pressure off the spring. If this is not done, the door can still be removed but the latch will now slam shut and will pinch or cut your hand.

4. The door is heavy. Use both hands to firmly grip it by the sides. Do not grip the door by the handle. Keeping the angle of the door the same, lift the door straight up approximately 3/4" (19 mm) to unhook the hinges from the slots, and then pull it out towards you until the hinges are clear of the oven housing.
5. Place the door in a convenient and stable location for cleaning.
6. Refit the door in the reverse order in which it was removed.

## Replacing an Oven Light

**⚠ CAUTION**

**WHEN REPLACING AN OVEN LIGHT:**

- Make sure the appliance and lights are cool and that the power to the appliance has been turned off before replacing the light bulb(s). Failure to do so may result in electrical shock or burns.
- Wear gloves.
- The lenses must be in place when using the appliance.
- The lenses serve to protect the light bulb from breaking.
- The lenses are made of glass. Handle carefully to avoid breaking. Broken glass may cause an injury.
- The light socket is live when the door is open.

**Bulb specifications:**

**Voltage:** 120 V;

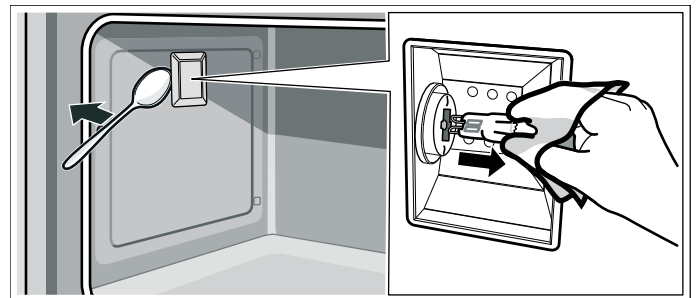
**Power:** 40 W;

**Fitting:** G9;

**Temperature resistance:** 575°F (300°C)

**To change the bulb:**

1. Allow the cooking compartment to cool down.
2. Open the appliance door.
3. Place a cloth in the oven cavity to prevent damage.
4. Remove the racks and rack guides.
5. Remove the glass cover. To do this, open the glass cover at the front with your hand. Should you experience difficulties removing the glass cover, use a spoon to help.
6. Remove the oven light bulb.



7. Replace the oven light bulb with a bulb of the same type.
8. Replace the glass cover for the oven light bulb.
9. Replace rack guides and racks.
10. Remove the cloth.
11. Switch the circuit breaker back on.
12. Check that the oven lighting is working again.

# Cooking Charts

The charts can be used as a guide. Follow package or recipe directions.

## Baked Goods/Entrees

Food	Recommended Cooking Mode	Oven Temperature	Pre-heat Oven	Number of Racks	Rack Position	Time (min.)	Pan Size & Type
<b>Cakes</b>							
Angel Food	Bake + fan	325°F	Yes	Single	2	45-55	10" tube
Bundt	Bake + fan	325°F	Yes	Single	2 or 3	55-65	12-cup bundt
Cupcakes	Bake	325°F	Yes	Single	2 or 3	15-20	12-cup muffin pan
	Bake + fan	325°F	Yes	Multiple	2 + 4	15-20	12-cup muffin pan
Round Layers	Bake	350°F	Yes	Single	2 or 3	25-35	8" or 9" round
4 Round Layers	Bake + fan	325°F	Yes	Multiple	2 + 4	25-35	8" or 9" round
Sheet Cake	Bake	350°F	Yes	Single	2	30-35	13" x 9" x 2"
Apple Pie	Bake	375°F	Yes	Single	2	55-60	9" pie dish
<b>Cookies</b>							
Brownies	Bake + fan	350°F	Yes	Single	2 or 3	30-45	8" or 9" square
Chocolate Chips	Bake	350°F	Yes	Single	2 or 3	9-15	cookie sheet
	Bake + fan	325°F	Yes	Multiple	2 + 5	9-15	cookie sheet
Cookie Bars	Bake + fan	350°F	Yes	Single	2 or 3	20-35	8" or 9" square
Sugar Cookies	Bake	375°F	Yes	Single	3	8-12	cookie sheet
	Bake + fan	375°F	Yes	Multiple	2 + 4	8-12	cookie sheet
<b>Entrees</b>							
Casseroles	Bake	recipe temp.	Yes	Single	2 or 3	recipe time	casserole dish
Quiche	Bake	375°F	Yes	Single	2 or 3	30-40	quiche dish
Soufflé	Bake	350°F	Yes	Single	2 or 3	35-50	soufflé dish
Vegetables	Bake + fan	recipe temp.	No	Single	2 or 3	recipe time	casserole dish
<b>Pastries</b>							
Cream Puffs	Bake + fan	350°F	Yes	Single	2 or 3	30-40	cookie sheet
	Bake + fan	350°F	Yes	Multiple	2 + 4	35-45	cookie sheet
Puff Pastry	Bake + fan	375°F	Yes	Single	2 or 3	15-25	cookie sheet
<b>Pies</b>							
1 Crust Shell	Bake + fan	450°F	Yes	Single	2 or 3	10-20	9" pie pan
2 Crust, Fruit	Bake + fan	375°F	Yes	Single	2 or 3	45-60	9" pie pan
Frozen	Bake	400°F	Yes	Single	2 or 3	package time	package directions
Pecan	Bake	350°F	Yes	Single	2 or 3	45-60	9" pie pan
Pumpkin	Bake	350°F	Yes	Single	2 or 3	40-60	9" pie pan
<b>Pizza</b>							
Baking Stone	Bake + fan	500°F	Yes	Single	2	recipe time	baking stone
Fresh	Bake + fan	500°F	Yes	Single	2	10-14	pizza pan
Thick Crust, Frozen	Bake + fan	on package	Yes	Single	on package	recipe time	package directions
Thick Crust, Frozen	Bake + fan	on package	Yes	Single	on package	recipe time	package directions



Food	Recommended Cooking Mode	Oven Temperature	Pre-heat Oven	Number of Racks	Rack Position	Time (min.)	Pan Size & Type
<b>Quick Breads</b>							
Biscuits	Bake	350°F	Yes	Single	2	19	cookie sheet
	Bake + fan	350°F	Yes	Multiple	2 + 4	21	cookie sheet
Loaf	Bake	375°F	Yes	Single	2 or 3	50-60	8" x 4" loaf pan
Muffins	Bake + fan	400°F	Yes	Single	2 or 3	18-30	12-cup muffin pan
	Bake + fan	400°F	Yes	Multiple	2 + 4	20-35	12-cup muffin pan
<b>Yeast Breads</b>							
Dinner Rolls	Bake + fan	350°F	Yes	Single	2 or 3	15-30	cookie sheet
	Bake + fan	350°F	Yes	Multiple	2 + 4	20-35	cookie sheet
Loaf	Bake + fan	400°F	Yes	Single	2 or 3	25-40	9" x 5" loaf pan
Sweet Rolls	Bake + fan	350°F	Yes	Single	2 or 3	20-30	cookie sheet
Focaccia Bread	Bake + fan	400°F	Yes	Single	2	23-27	cookie sheet
<b>Frozen Food</b>							
Lasagne	Bake + fan	400°F	Yes	Single	2	package time	package directions

## Meats

The charts can be used as a guide. Follow package or recipe directions.

Food	Recommended Cooking Mode	Oven Temperature	Rack Position	Internal Temperature Done-ness	Cooking Time	Food Covered	Stand Time
<b>Beef</b>							
Hamburgers, 1.8 lbs	Broil	High	5	Medium, 160°F	Side 1: 8 Side 2: 7	No	none
Rib Eye, Boneless, 3-3.5 lbs.	Bake + fan	325°F*	2 or 3	Medium-rare, 145°F	27-31 min./lb.	No	10-15 min.
Rib Eye, Boneless, 3-3.5 lbs.	Bake + fan	325°F*	2 or 3	Medium, 160°F	30-38 min./lb.	No	10-15 min.
Rump, Eye, Sirloin, Boneless, 3-4 lbs.	Bake + fan	325°F	2 or 3	Medium-rare, 145°F	18-33 min./lb.	No	10-15 min.
Steaks, 1-inch thick	Broil	High	5	Medium-rare, 145°F	Side 1: 5-8 Side 2: 4-6	No	none
Tenderloin, 3-4 lbs.	Bake + fan	425°F	2 or 3	Medium-rare, 145°F	15-24 min./lb.	No	10-15 min.
<b>Lamb</b>							
Leg, Boneless, 2-4.5 lbs.	Bake + fan	325°F*	2 or 3	Medium-rare, 145°F	25-30 min./lb.	No	10-15 min.
Leg, Boneless, 2-4.5 lbs.	Bake + fan	325°F*	2 or 3	Medium, 160°F	30-35 min./lb.	No	10-15 min.
Chops, 1-inch thick	Broil	High*	5	Medium-rare, 145°F	Side 1: 4-6 Side 2: 4-5	No	10-15 min.

\* Preheat oven

Roasting times are approximate and may vary depending on the shape of the meat.

Stuffed turkey requires additional roasting time. The minimum safe temperature for stuffing in poultry is 165°F.

**Note:** : Internal food temperatures are USDA recommended temperatures as measured by a digital cooking thermometer.

<b>Food</b>	<b>Recommended Cooking Mode</b>	<b>Oven Temperature</b>	<b>Rack Position</b>	<b>Internal Temperature Done-ness</b>	<b>Cooking Time</b>	<b>Food Covered</b>	<b>Stand Time</b>
Chops, 1-inch thick	Broil	High*	5	Medium, 160°F	Side 1: 5-7 Side 2: 5-6	No	none
<b>Pork</b>							
Loin Roast, 2.2-6.5 lbs.	Bake	350°F*	2	Medium, 160°F	16-25 min./lb.	No	none
Chops, 0.3-0.4 lbs.	Broil	High	5	160°F	Side 1: 8-12 Side 2: 6-10	No	none
Sausage, Fresh	Broil	High	5	170°F	Side 1: 5-7 Side 2: 4-6	No	none
Tenderloin, 2-3 lbs.	Bake	425°F	2	Medium, 160°F	15-28 min./lb.	No	none
<b>Poultry</b>							
Chicken							
Bone-in Breasts	Broil	High	4	170°F	Side 1: 15-20 Side 2: 13-18	No	none
Bone-in Thighs	Broil	High	4	180°F	Side 1: 12-15 Side 2: 9-11	No	none
Whole Chicken 3-6.6 lbs.	Bake + fan	375°F*	2	180°F	15-25 min./lb.	No	none
Cornish Game Hens, 1.5-3 lbs.	Bake + fan	350°F	2	180°F	45-75 min. total time	No	none
Turkey							
Breast, 4-8 lbs.	Bake + fan	325°F*	2 or 3	180°F	17-25 min. /lb.	Foil to prevent over-browning	none
Unstuffed, 12-19 lbs.	Bake + fan	325°F*	2	180°F	7-15 min./lb.	Foil to prevent over-browning	none
Unstuffed, 20-30 lbs.	Bake + fan	325°F*	2	180°F	7-15 min./lb.	Foil to prevent over-browning	none
<b>Seafood</b>							
Fish Filets	Broil	High*	4	145°F	Side 1: 11-15 Side 2: 11-15	No	none

\* Preheat oven

Roasting times are approximate and may vary depending on the shape of the meat.

Stuffed turkey requires additional roasting time. The minimum safe temperature for stuffing in poultry is 165°F.

**Note :** Internal food temperatures are USDA recommended temperatures as measured by a digital cooking thermometer.

# Customer Service

Contact our Customer Service if your appliance needs repair. Our Customer Service (see below) will be happy to supply you with details how to obtain a service repair.

## Before Calling for Service

Before calling Customer Service, consider the suggestions and instructions below:

### ⚠ CAUTION

Repairs should only be done by an authorized servicer.

Improper repair of your appliance may result in risk of severe physical injury or death.

Problem	Suggestion
Burner(s) do not light/igniters do not spark	<ul style="list-style-type: none"> <li>• Ensure that the gas shut-off valve is in the "ON" position and the gas supply to the house is not shut off.</li> <li>• Ensure that the burner caps and burner bases and the burner ports are not clogged. Clear ports with a wire or straightened paper clip if clogged.</li> <li>• Make sure the igniters are clean and dry.</li> <li>• Check the power supply. It should be properly grounded with the correct polarity. Ensure that the unit is fully plugged in to the outlet and the circuit breaker is not tripped.</li> </ul>
Cooktop burner(s) do not start correctly, Flame extinguishes at burner as soon knob is released	<ul style="list-style-type: none"> <li>• Probable reason is, that the push in time was too short or the pushing was too soft. Push in the knob completely, once flame appears keep it pushed in at that complete position for 3-5 seconds.</li> <li>• If than flame does not hold, check the burner for being clean and parts attached in right manner.</li> </ul> <p><b>Note:</b> : There has to be a flame towards the brown pin at burner, which is the thermocouple.</p>
Burner flame goes out unexpectedly	Ensure that there is no draft in the room.
Sparks appear on the wrong burner	No fault: On starting one burner on all burners sparks will be generated.
The igniters spark even though the knobs are in the off position	When the electrical power connection has been activated at the first power-up or reconnected after an outage, the igniters may spark once or twice, even though all burner knobs are in the "OFF" position.
Cooking results are not what was expected	<ul style="list-style-type: none"> <li>• Check the level of the cooktop burner during installation.</li> <li>• Cooking pan does not fit on the surface being used.</li> <li>• The cookware is not the recommended type or size. See "Notes regarding cookware" and "Baking pans and dishes" → Page 21.</li> </ul>
Oven door feels hotter as before remove the oven door glass for cleaning	Check if the oven door glass is right way round (low-E symbol can be read).
Oven door is not balanced	Check if inner door glass is present/ has been inserted during reassembly.
If the oven is cold with the oven control set to bake or broil.	<ul style="list-style-type: none"> <li>• Check a cooktop burner for a few minutes to be sure gas is flowing to the range. If not, check your LP gas tank or or insulation valve in installation to be open. If gas is available at cooktop burners, probably the start procedure of oven burner was not executed correctly. Make sure that in start procedure the knob is pressed in fully and listen for sparks and gas flow to the according burner.</li> <li>• The push and turn feature may be preventing gas flow. Be sure to follow the instructions → Page 20 i.e. Press the control knob in for a few seconds (this gets gas flowing), then turn to bake or broil and release. This lights the gas.</li> <li>• The automatic start procedure will stop after 10 sec (no more sparking), than you can check whether flame is generated by opening appliance door (bake burner visible through holes in bottom sheet, broil burner is free). If no flame visible- keep open oven door for 5 minutes, than close and try again.</li> </ul>

<b>Problem</b>	<b>Suggestion</b>
Broil setting cannot be changed.	This is correct, broil has only one setting, marked by the word broil. To reduced or increasing broiling intensity, move the rack up or down. Follow the instructions for racks → <i>Page 10</i>
Oven control knob can turn from Broil to bake temperatures.	This is correct. The control knob can only be turned from broil to bake, or vice versa, via the off position.

## How to Obtain Warranty Service

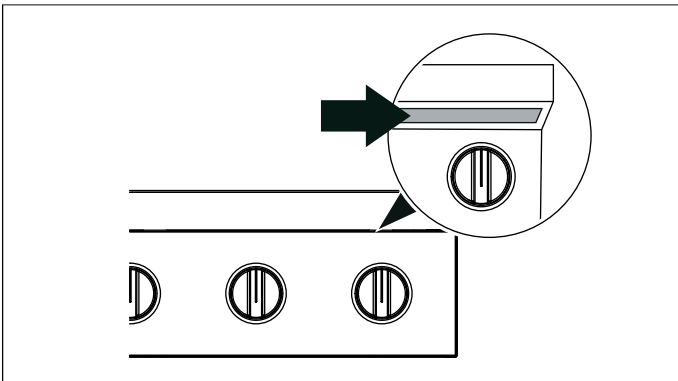
To obtain warranty service for your Product, you should contact Bosch Customer Service at 1-800-944-2904 to schedule a repair.

### Model (E) number and FD number

When you contact our service, please have the Model (E) number and the FD number for your appliance available.

You can find this information on the rating label

- on the back side of the appliance
- on the underside of the projecting control panel



Questions? Please contact us. We look forward to hearing from you.

**800-944-2904**  
[www.bosch-home.com](http://www.bosch-home.com)  
 1901 Main Street, Suite 600  
 Irvine, CA 92614

# STATEMENT OF LIMITED PRODUCT WARRANTY

## What this Warranty Covers & Who it Applies to

The limited warranty provided by BSH Home Appliances ("Bosch") in this Statement of Limited Product Warranty applies only to the Bosch appliance sold to you ("Product"), provided that the Product was purchased:

- For your normal, household (non-commercial) use, and has in fact at all times only been used for normal household purposes.
- New at retail (not a display, "as is", or previously returned model), and not for resale, or commercial use.
- Within the United States or Canada, and has at all times remained within the country of original purchase.

The warranties stated herein apply to the original purchaser of the product warranted herein and to each succeeding owner of the product purchased for ordinary home use during the term of the warranty.

Please make sure to return your registration card; while not necessary to effectuate warranty coverage, it is the best way for Bosch to notify you in the unlikely event of a safety notice or product recall.

## How Long the Warranty Lasts

Bosch warrants that the Product is free from defects in materials and workmanship for a period of three hundred sixty-five (365) days from the date of the original purchase. The foregoing timeline begins to run upon the date of the original purchase, and shall not be stalled, tolled, extended, or suspended, for any reason whatsoever.

This Product is also warranted to be free from *cosmetic* defects in material and workmanship (such as scratches of stainless steel, paint/porcelain blemishes, chip, dents, or other damage to the finish) of the Product, for a period of thirty (30) days from the date of purchase or closing date for new construction. This *cosmetic* warranty excludes slight color variations due to inherent differences in painted and porcelain parts, as well as differences caused by kitchen lighting, product location, or other similar factors. This *cosmetic* warranty specifically excludes any display, floor, "As Is", or "B" stock appliances.

## Repair/Replace as Your Exclusive Remedy

During this warranty period, Bosch or one of its authorized service providers will repair your Product without charge to you (subject to certain limitations stated herein) if your Product proves to have been manufactured with a defect in materials or workmanship. If reasonable attempts to repair the Product have been made without success, then Bosch will replace your Product (upgraded models may be available to you, in Bosch's sole discretion, for an additional charge). Nothing in this warranty requires damaged or defective parts to be replaced with parts of a different type or design than the original part. All removed parts and components shall become the property of Bosch at its

sole option. All replaced and/or repaired parts shall assume the identity of the original part for purposes of this warranty and this warranty shall not be extended with respect to such parts. Bosch's sole liability and responsibility hereunder is to repair manufacturer-defective Product only, using a Bosch-authorized service provider during normal business hours. For safety and property damage concerns, Bosch highly recommends that you do not attempt to repair the Product yourself, or use a non-authorized service provider; Bosch will have no responsibility or liability for repairs or work performed by a non-authorized service provider. Authorized service providers are those persons or companies that have been specially trained on Bosch products, and who possess, in Bosch's opinion, a superior reputation for customer service and technical ability (note that they are independent entities and are not agents, partners, affiliates or representatives of Bosch). Notwithstanding the foregoing, Bosch will not incur any liability, or have responsibility, for the Product if it is located in a remote area (more than 100 miles from an authorized service provider) or is reasonably inaccessible, hazardous, threatening, or treacherous locale, surroundings, or environment; in any such event, if you request, Bosch would still pay for labor and parts and ship the parts to the nearest authorized service provider, but you would still be fully liable and responsible for any travel time or other special charges by the service company, assuming they agree to make the service call.

## Out of Warranty Product

Bosch is under no obligation, at law or otherwise, to provide you with any concessions, including repairs, prorates, or Product replacement, once this warranty has expired.

## Warranty Exclusions

The warranty coverage described herein excludes all defects or damage that are not the direct fault of Bosch, including without limitation, one or more of the following:

- Use of the Product in anything other than its normal, customary and intended manner (including without limitation, any form of commercial use, use or storage of an indoor product outdoors, use of the Product in conjunction with air or water-going vessels).
- Any party's willful misconduct, negligence, misuse, abuse, accidents, neglect, improper operation, failure to maintain, improper or negligent installation, tampering, failure to follow operating instructions, mishandling, unauthorized service (including self performed "fixing" or exploration of the appliance's internal workings).
- Adjustment, alteration or modification of any kind.
- A failure to comply with any applicable state, local, city, or county electrical, plumbing and/or building codes, regulations, or laws, including failure to install the product in strict conformity with local fire and building codes and regulations.

- Ordinary wear and tear, spills of food, liquid, grease accumulations, or other substances that accumulate on, in, or around the Product.
- Any external, elemental and/or environmental forces and factors, including without limitation, rain, wind, sand, floods, fires, mud slides, freezing temperatures, excessive moisture or extended exposure to humidity, lightning, power surges, structural failures surrounding the appliance, and acts of God.
- Service calls to correct the installation of your Product, to instruct you how to use your Product, to replace house fuses or correct house wiring or plumbing.

In no event shall Bosch have any liability or responsibility whatsoever for damage to surrounding property, including cabinetry, floors, ceilings, and other structures or objects around the Product. Also excluded from this warranty are Products, on which the serial numbers have been altered, defaced, or removed; service visits to teach you how to use the Product, or visits where there is nothing wrong with the Product; correction of installation problems (you are solely responsible for any structure and setting for the Product, including all electrical, plumbing or other connecting facilities, for proper foundation/flooring, and for any alterations including without limitation cabinetry, walls, floors, shelving, etc.); and resetting of breakers or fuses.

TO THE EXTENT ALLOWED BY LAW, THIS WARRANTY SETS OUT YOUR EXCLUSIVE REMEDIES WITH RESPECT TO PRODUCT, WHETHER THE CLAIM ARISES IN CONTRACT OR TORT (INCLUDING STRICT LIABILITY, OR NEGLIGENCE) OR OTHERWISE. THIS WARRANTY IS IN LIEU OF ALL OTHER WARRANTIES, WHETHER EXPRESS OR IMPLIED. ANY WARRANTY IMPLIED BY LAW, WHETHER FOR MERCHANTABILITY OR FITNESS FOR A PARTICULAR PURPOSE, OR OTHERWISE, SHALL BE EFFECTIVE ONLY FOR THE PERIOD THAT THIS EXPRESS LIMITED WARRANTY IS EFFECTIVE. IN NO EVENT WILL THE MANUFACTURER BE LIABLE FOR CONSEQUENTIAL, SPECIAL, INCIDENTAL, INDIRECT, "BUSINESS LOSS", AND/OR PUNITIVE DAMAGES, LOSSES, OR EXPENSES, INCLUDING WITHOUT LIMITATION TIME AWAY FROM WORK, HOTELS AND/OR RESTAURANT MEALS, REMODELLING EXPENSES IN EXCESS OF DIRECT DAMAGES WHICH ARE DEFINITELY CAUSED EXCLUSIVELY BY BOSCH, OR OTHERWISE. SOME STATES DO NOT ALLOW THE EXCLUSION OR LIMITATION OF INCIDENTAL OR CONSEQUENTIAL DAMAGES, AND SOME STATES DO NOT ALLOW LIMITATIONS ON HOW LONG AN IMPLIED WARRANTY LASTS, SO THE ABOVE EXCLUSIONS OR LIMITATIONS MAY NOT APPLY TO YOU. THIS WARRANTY GIVES YOU SPECIFIC LEGAL RIGHTS, AND YOU MAY ALSO HAVE OTHER RIGHTS WHICH VARY FROM STATE TO STATE.

No attempt to alter, modify or amend this warranty shall be effective unless authorized in writing by an officer of BSH.

### **Obtaining Warranty Service:**

To obtain warranty service for your Product, you should contact Bosch Customer Service at 1-800-944-2904 to schedule a repair.



# Table des Matières

<b>▲ Définitions de sécurité</b> .....	<b>33</b>	Conseils d'utilisation .....	48
<b>CONSIGNES DE SÉCURITÉ IMPORTANTES</b> .....	<b>34</b>	<b>Nettoyage et entretien – Table de cuisson</b> .....	<b>49</b>
Sécurité-incendie .....	35	Nettoyage quotidien .....	49
Sécurité en matière de gaz .....	36	Lignes directrices de nettoyage .....	49
Prévention des brûlures .....	37	Salissures brûlées .....	50
Sécurité des enfants .....	37	<b>Fonctionnement du four</b> .....	<b>51</b>
Consignes en matière de nettoyage .....	37	Avant la première utilisation de l'appareil .....	51
Sécurité pour la batterie de cuisine .....	38	Concernant cet appareil .....	51
Installation et entretien corrects .....	38	Tirer le meilleur parti de l'électroménager .....	53
Avertissement issu de la proposition 65 : .....	38	<b>Nettoyage et entretien – Four</b> .....	<b>54</b>
Conversion gaz au propane .....	39	Nettoyage du four .....	54
Installation à altitude élevée .....	39	Nettoyage des surfaces autonettoyantes .....	55
<b>Mise en route</b> .....	<b>40</b>	Entretien .....	56
Pièces et accessoires .....	40	<b>Tableaux de cuisson</b> .....	<b>59</b>
Montage des chapeaux de brûleur .....	40	Plats de boulangerie/Plats principaux .....	59
Mise en place de la grille .....	41	Viandes .....	61
Rail télescopique .....	42	<b>Service après-vente</b> .....	<b>64</b>
Accessoires fournis .....	43	Dépannage .....	64
Accessoires spéciaux (non-inclus) .....	43	Comment bénéficier du service de garantie .....	65
<b>Utilisation de la plaque de cuisson</b> .....	<b>43</b>	<b>ÉNONCÉ DE LA GARANTIE LIMITÉE</b> .....	<b>66</b>
Avant la première utilisation de l'appareil .....	43	Couverture de la garantie limitée .....	66
Concernant cet appareil .....	43	Durée de la garantie .....	66
Tirer le meilleur parti de l'électroménager .....	45	Réparation ou remplacement : votre recours exclusif .....	66
<b>Remarque concernant les ustensiles</b> .....	<b>48</b>	Produit hors garantie .....	66
Ustensile de cuisson convenable .....	48	Exclusions de garantie .....	66
Recommandations en matière d'ustensiles de cuisson .....	48	Comment obtenir une réparation sous garantie : .....	67

## ▲ Définitions de sécurité

### ▲ AVERTISSEMENT

Ceci indique que le non-respect de cet avertissement peut entraîner des blessures graves, voire la mort.

### ▲ ATTENTION

Ceci indique que le non-respect de cet avertissement peut entraîner des blessures légères ou de gravité moyenne.

**AVIS :** Ceci indique que la non-conformité à cet avis de sécurité peut entraîner des dégâts matériels ou endommager l'appareil.

**Remarque :** Ceci vous signale des informations et/ou indications importantes.



# CONSIGNES DE SÉCURITÉ IMPORTANTES

LIRE ET CONSERVER CES INSTRUCTIONS

## **⚠ AVERTISSEMENT :**

Si les directives ne sont pas suivies à la lettre, il y a un risque d'incendie ou d'explosion pouvant entraîner des dommages matériels, des blessures ou un décès.

- Ne pas conserver ou utiliser de l'essence ou d'autres liquides ou vapeurs inflammables à proximité de cet appareil ou de tout autre appareil.
- **QUE FAIRE SI VOUS PERCEVEZ UNE ODEUR DE GAZ**
  - Ne pas essayer de mettre un appareil sous tension.
  - Ne pas toucher d'interrupteur de courant électrique.
  - Ne pas utiliser de téléphones dans l'édifice.
  - Communiquer immédiatement avec le fournisseur de gaz depuis l'appareil téléphonique d'un voisin. Respecter les directives du fournisseur de gaz.
  - S'il s'avère impossible de joindre le fournisseur de gaz, communiquer avec les pompiers.
- Utiliser les services d'un installateur ou d'une agence de services qualifiés ou le fournisseur de gaz pour procéder à l'installation et aux réparations.

## **⚠ AVERTISSEMENT :**

Ne jamais faire fonctionner la surface de la table de cuisson de cet appareil sans surveillance.

- Le non-respect de cet avertissement pourrait entraîner un risque d'incendie, d'explosion ou de brûlure qui pourrait provoquer des dommages matériels, des blessures ou un décès.
- En cas d'incendie, se tenir à l'écart de l'appareil et appeler immédiatement les pompiers.

**NE PAS ESSAYER D'ÉTEINDRE UN INCENDIE DE GRAISSE OU D'HUILE AVEC DE L'EAU.**

# ⚠️ CONSIGNES DE SÉCURITÉ IMPORTANTES

## LIRE ET CONSERVER CES INSTRUCTIONS

**IMPORTANT :** CONSERVEZ CES CONSIGNES À L'INTENTION DE L'INSPECTEUR EN ÉLECTRICITÉ.

**INSTALLATEUR :** PRIÈRE DE LAISSER CES CONSIGNES AVEC CET APPAREIL À L'INTENTION DU PROPRIÉTAIRE.

**PROPRIÉTAIRE :** PRIÈRE DE CONSERVER CES CONSIGNES POUR RÉFÉRENCE ULTÉRIEURE.

---

### AVERTISSEMENT

Correctement entretenu, votre électroménager neuf a été conçu pour être sécuritaire et fiable. Lisez attentivement toutes les instructions avant l'utilisation. Ces précautions réduiront le risque de brûlure, d'électrocution, d'incendie et de blessures corporelles. Lorsque vous utilisez des appareils électroménagers de cuisine, il importe de suivre des précautions de sécurité de base, y compris celles indiquées dans les pages suivantes.

---

### AVERTISSEMENT

---

#### INFORMATION SUR LE DANGER

Un enfant ou un adulte peut renverser le four et être tué.

Installer le dispositif anti-basculement sur la structure et / ou le four. Vérifiez que le dispositif anti-basculement a été correctement installé et engagé.

Engagez le four sur le dispositif anti-bascule. Assurez-vous que le dispositif anti-bascule est réengagé lorsque la cuisinière est déplacée.

Réengager le dispositif anti-basculement si la cuisinière est déplacée. Ne pas utiliser la cuisinière sans le dispositif anti-bascule en place et engagé.

Voir les instructions d'installation pour plus de détails.

Non-respect des instructions de ce manuel peut entraîner la mort ou des brûlures graves pour les enfants et les adultes.

**Vérifiez que l'installation et l'utilisation du support anti-basculement est fait correctement.** Inclinez délicatement la cuisinière vers l'avant de l'arrière pour s'assurer que le support anti-bascule s'engage dans la patte de la cuisinière et empêche le renversement. La cuisinière ne doit pas bouger de plus de 2,5 cm (1 po).



### Sécurité-incendie

Conserver ces instructions.

Régler la commande de brûleur afin que la flamme ne puisse pas dépasser le rebord du fond des casseroles. Ne laissez pas le papier d'aluminium, le plastique, le papier ou les tissus entrer en contact avec un élément de surface, une grille ou un brûleur chaud. Ne laissez pas les casseroles chauffer à sec.

Si la table de cuisson est près d'une fenêtre, d'un évent à air forcé ou d'un ventilateur, s'assurer que les matériaux inflammables tels les tentures/rideaux ne flottent pas au-dessus ou près des brûleurs ou éléments. Ils risqueraient de s'enflammer.

Toujours avoir un détecteur de fumée en état de marche près de la cuisine.

Ne laissez jamais la table de cuisson sans surveillance lorsqu'elle est en utilisation. Des débordements causant de la fumée et des déversements graisseux peuvent prendre feu.

---

### AVERTISSEMENT

POUR RÉDUIRE LES RISQUES DE FEUX DE GRAISSE :

- Ne jamais faire fonctionner les unités de surface à des températures élevées sans surveillance. Des débordements causant de la fumée et des déversements graisseux peuvent prendre feu. Chauffer l'huile lentement à réglage faible ou moyen.
- Toujours mettre la hotte EN MARCHÉ pendant la cuisson à température élevée et au moment de flamber des aliments (p.ex., crêpes Suzette, cerises jubilé, steak au poivre flambé).
- Souvent nettoyer les ventilateurs d'aération. Il ne faut pas que la graisse s'accumule sur le ventilateur ou sur le filtre.
- Utiliser des casseroles de taille adéquate. Utiliser toujours des casseroles dont les dimensions conviennent à la taille de l'élément.

Si des vêtements s'enflamment, jeter et rouler par terre immédiatement pour éteindre les flammes.

Étouffez les flammes d'un feu d'aliments autre qu'un feu de graisse à l'aide de bicarbonate de soude. Ne jamais utiliser d'eau sur les feux de cuisson.

S'assurer que l'air brassé par les ventilateurs ou les événements à air forcé n'agisse pas sur les flammes d'un brûleur de sorte qu'elles risquent de dépasser des rebords d'une casserole.

Veillez à avoir à portée de main un extincteur d'incendie en bon état de marche, placé visiblement près de l'appareil et facile d'accès.

# **CONSIGNES DE SÉCURITÉ IMPORTANTES**

## LIRE ET CONSERVER CES INSTRUCTIONS

---

### AVERTISSEMENT

---

POUR RÉDUIRE LE RISQUE DE LÉSIONS CORPORELLES DANS L'ÉVENTUALITÉ D'UN FEU DE GRAISSE, OBSERVER LES CONSIGNES SUIVANTES :

- a. **ÉTOUFFER LES FLAMMES** à l'aide d'un couvercle bien hermétique, d'une tôle à biscuits ou d'un plateau en métal, puis éteindre l'appareil. **FAIRE ATTENTION À NE PAS SE BRÛLER.** Si les flammes ne s'éteignent pas immédiatement, **ÉVACUER LES LIEUX ET FAIRE APPEL AU SERVICE D'INCENDIE.**
- b. **NE JAMAIS SAISIR UN RÉCIPIENT QUI BRÛLE.** Vous pourriez vous brûler.
- c. **NE PAS UTILISER D'EAU,** y compris les chiffons ou serviettes mouillées. Une violente explosion de vapeur risque de se produire.
- d. Utiliser un extincteur uniquement si :
  - Vous savez que vous possédez un extincteur de CLASSE ABC, et vous en connaissez déjà le maniement.
  - L'incendie est de petite ampleur et contenu dans la zone où il s'est déclaré.
  - Le service d'incendie est appelé.
  - On peut combattre l'incendie le dos tourné vers la sortie.

---

Dans la mesure du possible, ne pas faire fonctionner le système de ventilation lorsqu'un feu se déclenche sur une table de cuisson. Toutefois, ne pas passer la main à travers le feu pour mettre le système de ventilation hors tension.

### Sécurité en matière de gaz

Pour éviter toute accumulation d'oxyde de carbone, ne pas bloquer les événements de l'appareil.

Se faire indiquer l'emplacement du robinet d'arrêt de gaz par l'installateur.

Pour un fonctionnement adéquat des brûleurs, l'allumeur doit toujours être propre et sec.

Si un brûleur s'éteint et que du gaz s'échappe, ouvrir portes et fenêtres. Attendre que le gaz se soit dissipé avant d'utiliser de nouveau l'appareil.

**AVIS DE SÉCURITÉ IMPORTANT :** l'incinération de combustible gazeux de cuisson peut générer des sous-produits qui figurent sur la liste des substances reconnues par l'État de Californie comme étant cancérigènes ou nuisibles à la reproduction. Pour minimiser l'exposition à ces substances, toujours faire fonctionner cet appareil conformément aux instructions contenues dans cette brochure et assurer une bonne ventilation.

---

### AVERTISSEMENT

---

Tous les allumeurs émettent des étincelles lorsqu'on allume un brûleur. Ne toucher aucun brûleur lors de l'utilisation de la table de cuisson.

---

Si vous sentez du gaz, votre installateur n'a probablement pas détecté une fuite de gaz. Si les branchements ne sont pas parfaitement étanches, vous pourriez avoir une petite fuite et donc une légère odeur de gaz. La détection d'une fuite de gaz n'est pas une opération à faire soi-même. Certaines fuites ne peuvent être détectées que si le brûleur est en position de marche et ceci doit être fait par un technicien de réparation qualifié. Voir Avertissement à la page 34.

---

### AVERTISSEMENT

---

Pour éviter les poussées de flamme lors de l'utilisation de la table de cuisson, les grilles de brûleur doivent être correctement installées. Les pieds de support des grilles doivent reposer sur les alvéoles de la table de cuisson prévues à cet effet. Ne pas utiliser une grille si les pieds en caoutchouc sont absents ou abîmés.

---

Les orifices de l'allumeur doivent être propres pour que les brûleurs s'allument correctement. Il est impératif de nettoyer les brûleurs en cas de débordement ou si un brûleur ne s'allume pas même si l'allumeur émet un léger claquement.

---

### AVERTISSEMENT

---

Pour éviter les poussées de flamme, ne pas utiliser la table de cuisson sans avoir correctement installé les capuchons de brûleur et les grilles de brûleur.

---

---

### AVERTISSEMENT

---

Ne pas nettoyer ni toucher les brûleurs lorsque le brûleur à très faible puissance (s'il y en a un) est en cours d'utilisation. Lorsque le brûleur à très faible puissance se rallume automatiquement, l'allumeur émettra des étincelles au niveau du brûleur.

---

---

### AVERTISSEMENT

---

Utiliser cet appareil uniquement pour l'usage auquel il est destiné comme l'indique ce manuel. Ne JAMAIS utiliser cet appareil comme un radiateur électrique portatif pour chauffer ou réchauffer une pièce. Ceci pourrait entraîner une intoxication par l'oxyde de carbone et provoquer une surchauffe de l'appareil. L'appareil ne doit jamais servir à entreposer quoi que ce soit.

---

# **CONSIGNES DE SÉCURITÉ IMPORTANTES**

## LIRE ET CONSERVER CES INSTRUCTIONS

---

### **AVERTISSEMENT**

---

Ne JAMAIS couvrir les encoches, orifices ou passages pratiqués au fond du four et ne jamais recouvrir complètement la grille avec des matériaux tels que le papier d'aluminium. Ceci aurait pour effet de bloquer la circulation de l'air à l'intérieur du four et pourrait entraîner une intoxication par l'oxyde de carbone. Les feuilles d'aluminium peuvent également emprisonner la chaleur et présenter ainsi un risque d'incendie.

---

### **Prévention des brûlures**

**NE PAS TOUCHER AUX ÉLÉMENTS DE SURFACE NI AUX ZONES PRÈS DES ÉLÉMENTS.** Les unités de surface peuvent être chaudes même lorsqu'elles sont de couleur foncée. Les zones près des unités de surface peuvent devenir suffisamment chaudes pour causer des brûlures. Pendant et après l'utilisation, ne pas toucher, ni laisser vêtements, poignées isolantes ou autres matériaux inflammables entrer en contact avec les éléments de surface ni aux zones près des éléments tant qu'ils n'ont pas refroidi. Citons notamment la table de cuisson et les surfaces situées près de celle-ci.

Ne pas chauffer ou réchauffer des contenants d'aliments non ouverts. L'accumulation de pression peut faire exploser le contenant et provoquer des blessures.

Utiliser les réglages élevés seulement lorsque nécessaire. Pour éviter bulles et éclaboussures, chauffer l'huile lentement à réglage faible ou moyen. L'huile chaude peut causer des brûlures et blessures extrêmement graves.

Ne déplacez jamais une poêle contenant de l'huile chaude, en particulier une bassine à friture. Attendez qu'elle se soit refroidie.

Attacher les vêtements lâches, etc. avant de commencer. Attacher les cheveux longs de façon à ce qu'ils ne pendent pas et ne pas porter de vêtements lâches ou d'habits ou objets qui pendillent, tels que cravates, foulards, bijoux ou manches.

Ne pas placer des objets sur le panneau de commande de projection devant les brûleurs. La zone devient très chaude lors de la cuisson.

### **Sécurité des enfants**

Lorsque les enfants sont assez âgés pour utiliser l'appareil, il incombe aux parents ou tuteurs légaux de veiller à ce qu'ils soient formés aux pratiques sécuritaires par des personnes qualifiées.

Ne permettre à personne de grimper, rester debout, s'appuyer, s'asseoir ou se pencher sur toute partie d'un appareil, notamment une porte, un tiroir-réchaud ou un tiroir de rangement. Ceci peut endommager l'appareil qui risque de basculer et causer des blessures sérieuses.

Ne pas permettre aux enfants d'utiliser cet appareil sauf sous la surveillance attentive d'un adulte. Ne pas laisser les enfants et les animaux seuls ou sans surveillance lorsque l'appareil est en service. Ne jamais les laisser

jouer aux alentours de l'appareil, que ce dernier soit en service ou non.

---

### **ATTENTION**

---

Les articles d'intérêt pour les enfants ne doivent pas être rangés dans un appareil électroménager, dans les armoires au-dessus de l'appareil ou sur le dossier. Les enfants peuvent grimper sur l'appareil pour atteindre ces objets et se blesser sérieusement.

---

### **Consignes en matière de nettoyage**

**AVIS DE SÉCURITÉ IMPORTANT :** en application de la loi de la Californie sur la qualité de l'eau potable et sur les produits toxiques (« California Safe Drinking Water and Toxic Enforcement Act »), le Gouverneur de Californie est tenu de publier une liste des substances reconnues par l'État de Californie comme étant cancérigènes ou pouvant causer des malformations ou nuire à la reproduction, et les entreprises sont tenues d'avertir les consommateurs des risques potentiels d'exposition à de telles substances. L'incinération de combustible gazeux de cuisson et l'élimination de salissures lors d'un autonettoyage peuvent générer des sous-produits qui figurent sur cette liste. Pour minimiser l'exposition à ces substances, toujours faire fonctionner cet appareil conformément aux instructions contenues dans cette brochure et assurer une bonne ventilation.

---

### **AVERTISSEMENT**

---

La combustion d'un gaz de cuisson peut créer de petites quantités de monoxyde de carbone, de benzène et de formaldéhyde. Pour minimiser l'exposition à ces substances, les brûleurs doivent être réglés par un installateur ou un organisme agréé pour assurer une combustion adéquate. Pour une bonne ventilation, utilisez une fenêtre ouverte, un ventilateur ou une hotte lorsque vous cuisinez au gaz. Utilisez toujours l'appareil conformément aux instructions de ce manuel.

---

Après tout déversement ou débordement, éteindre le brûleur et laisser la table de cuisson refroidir. Nettoyer le pourtour du brûleur ainsi que ces orifices. Une fois ce nettoyage terminé, vérifier le bon fonctionnement du brûleur.

Ne nettoyez pas l'appareil pendant qu'il est encore chaud. Certains produits nettoyants produisent des vapeurs nocives lorsqu'ils sont appliqués sur une surface chaude. Chiffons ou éponges humides peuvent causer des brûlures par dégagement de vapeur.

# **CONSIGNES DE SÉCURITÉ IMPORTANTES**

## LIRE ET CONSERVER CES INSTRUCTIONS

### **Sécurité pour la batterie de cuisine**

Tenir la poignée de la casserole en brassant ou tournant les aliments. Ceci l'empêche de bouger et évite les déversements.

Utiliser des casseroles de taille adéquate. L'utilisation de casseroles trop petites aura pour effet d'exposer une partie de l'élément chauffant ou du brûleur pouvant présenter un risque de contact direct et d'incendie de vêtements. Sélectionner des ustensiles à fond plat, suffisamment larges pour couvrir l'élément chauffant. Cet appareil est doté de surfaces de différents formats. Un bon rapport ustensile/élément chauffant ou brûleur permet également d'améliorer le fonctionnement de l'appareil.

Toujours tourner les poignées pour qu'elles ne passent pas au-dessus des zones adjacentes de cuisson ou du bord de l'appareil. Ceci aide à diminuer le risque d'ignition de matériaux inflammables, de déversements et de brûlures.

Ajuster la taille de la flamme des brûleurs afin qu'elle ne dépasse pas le bord des ustensiles. Un bon rapport flamme/ustensile entraîne une diminution des risques en matière de sécurité.

### **Installation et entretien corrects**

Demandez à l'installateur de vous montrer où se trouve le disjoncteur ou le fusible. Identifier sa position pour pouvoir le retrouver facilement.

Cet appareil doit être adéquatement installé et mis à la terre par un technicien agréé. Branchez l'appareil uniquement dans une prise correctement reliée à la terre. Pour plus de détails, reportez-vous à la notice d'installation.

Cet appareil est destiné uniquement à une utilisation domestique normale. Il n'est pas homologué pour un usage en extérieur. Voyez l'Énoncé de la Garantie Limitée. Si vous avez des questions, communiquez avec le fabricant.

Ne pas entreposer ni utiliser de produits chimiques corrosifs, vapeurs, substances inflammables ou produits non alimentaires à l'intérieur ou à proximité de l'appareil. Il a été spécialement conçu pour être utilisé pendant le chauffage et la cuisson des aliments. L'emploi de produits chimiques corrosifs pour chauffer ou nettoyer l'appareil endommagera ce dernier et peut provoquer des blessures.

---

### **AVERTISSEMENT**

---

Le non respect du mode de fonctionnement des boutons peut entraîner des lésions corporelles ou des dommages à l'appareil.

---

Cet appareil n'est pas prévu pour fonctionner avec un programmateur externe ou une télécommande externe. Ne pas se servir de cet appareil s'il ne fonctionne pas correctement ou s'il est endommagé. Communiquer avec un réparateur autorisé.

Ne pas réparer ni remplacer une pièce de l'appareil électroménager à moins que cela ne soit spécifiquement recommandé dans le présent manuel. Pour toute réparation, faire affaire avec un fournisseur de réparation autorisé par le fabricant.

Pour éviter les risques d'électrocution, avant de réparer l'appareil, mettre l'alimentation hors circuit au niveau du panneau de service et le verrouiller pour éviter toute mise en circuit accidentelle.

### **Avvertissement issu de la proposition 65 :**

Ce produit pourrait contenir un produit chimique reconnu par l'État de la Californie comme cancérigène ou ayant des effets nocifs sur la reproduction. Par conséquent, l'emballage de votre produit pourrait porter l'étiquette suivante, comme requis par la Californie :

<p><b>AVERTISSEMENT ISSUE DE LA PROPOSITION 65 DE L'ÉTAT DE LA CALIFORNIE :</b></p> <p> <b>AVERTISSEMENT</b> Cancer et dommages à la reproduction <a href="http://www.P65Warnings.ca.gov">www.P65Warnings.ca.gov</a></p>
---



# **CONSIGNES DE SÉCURITÉ IMPORTANTES**

LIRE ET CONSERVER CES INSTRUCTIONS

## **Conversion gaz au propane**

### **AVERTISSEMENT**

Si l'appareil n'est pas installée par un installateur ou un électricien qualifié, des blessures corporelles ou la mort par électrocution peuvent survenir.

Tous les ajouts, modifications ou conversions nécessaires pour que cet appareil réponde de manière satisfaisante aux besoins de l'application doivent être effectués par un technicien qualifié.

### **AVERTISSEMENT**

**Cette trousse de conversion doit être installée par une agence de réparation qualifiée en conformité aux directives du fabricant et de tous les autres codes et toutes les exigences en vigueur de l'autorité ayant juridiction. Si les directives ne sont pas suivies à la lettre, il y a un risque d'incendie, d'explosion ou de génération de monoxyde de carbone pouvant entraîner des dommages matériels, des blessures ou une perte de vie. L'agence de réparation qualifiée est responsable de la bonne installation de cette trousse. L'installation n'est pas jugée terminée et adéquate jusqu'à ce que l'on ait testé l'appareil converti comme précisé dans les directives du fabricant fournies avec la trousse.**

## **Installation à altitude élevée**

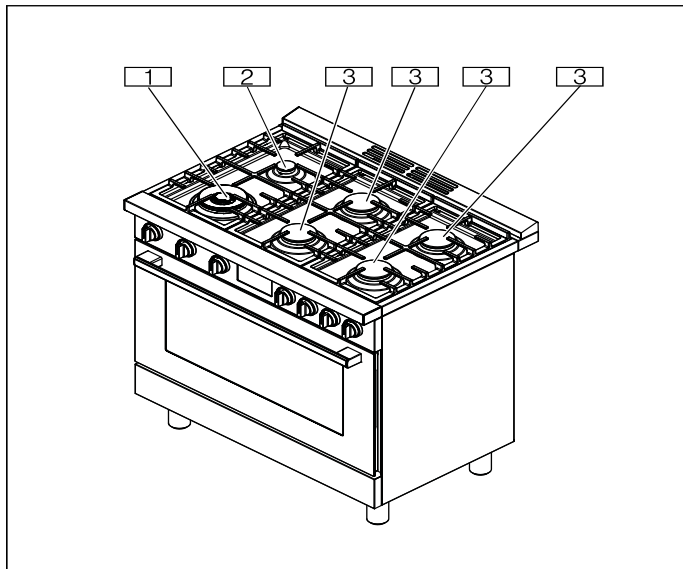
Cet appareil a été testé pour son fonctionnement jusqu'à une altitude de 10 000 pi (3 048 m) d'altitude au-dessus du niveau de la mer.

Si désiré, pour des altitudes supérieures à 2 000 pi (610 m) d'altitude au-dessus du niveau de la mer, des ajustements peuvent être apportés. Veuillez vérifier les brûleurs au réglage le plus bas. Si la flamme est instable, haussez la flamme de mijotage jusqu'à ce qu'elle soit stable. Vous pouvez le faire en réglant la vis de dérivation de la soupape. Si la flamme réagit de manière satisfaisante, aucun ajustement n'est requis. C'est requis qu'un professionnel certifié effectue les réglages de haute altitude pendant l'installation. Des ensembles de buses à haute altitude pour le gaz naturel et le gaz propane sont disponibles pour les installations à 2 000-6 500 pi (610 à 1 981 m) ou 6 501 à 10 000 pi (1 982 à 3 048 m) si les réglages à l'aide de la vis de dérivation ne résolvent pas les problèmes de performance.

# Mise en route

## Pièces et accessoires

36 po



### Non. Désignation

1	Brûleur à double flamme (18,000 BTU/ 5.3 kW)
2	Petit brûleur (5,000 BTU/ 1.5 kW)
3	Grand brûleur (10,000 BTU/ 2.9 kW)
	Brûleur de four (17,000 BTU/ 5.0 kW)
	Gril de 30 po (11,500 BTU/ 3.4 kW)
	Gril de 30 po (14,000 BTU/ 4.1 kW)

## Montage des chapeaux de brûleur

### Brûleurs scellés

Votre table de cuisson neuve dispose de brûleurs à gaz scellés. Il n'y a aucune pièce de brûleur à nettoyer, démonter ou régler sous la table de cuisson. Votre table de cuisson a trois tailles de brûleurs différentes : petite, grande et double flamme.

#### ▲ AVERTISSEMENT

Pour éviter les poussées, n'utilisez pas la table de cuisson sans tous les chapeaux de brûleur et toutes les grilles de brûleur correctement positionné.

#### ▲ AVERTISSEMENT

Pour éviter les brûlures, ne touchez pas les chapeaux ou les grilles du brûleur lorsqu'il sont chauds. Éteignez la table de cuisson et laissez refroidir les brûleurs.

Les pièces du brûleur doivent être correctement positionnées pour que la plaque de cuisson puisse fonctionner correctement. Si les pièces du brûleur ne sont pas correctement positionnées, un ou plusieurs des problèmes suivants peuvent survenir :

- La flamme du brûleur est trop élevée.
- Des flammes jaillissent des brûleurs.
- Les brûleurs ne s'allument pas.
- La flamme du brûleur n'est pas uniforme.
- Une odeur de gaz se dégage du brûleur.

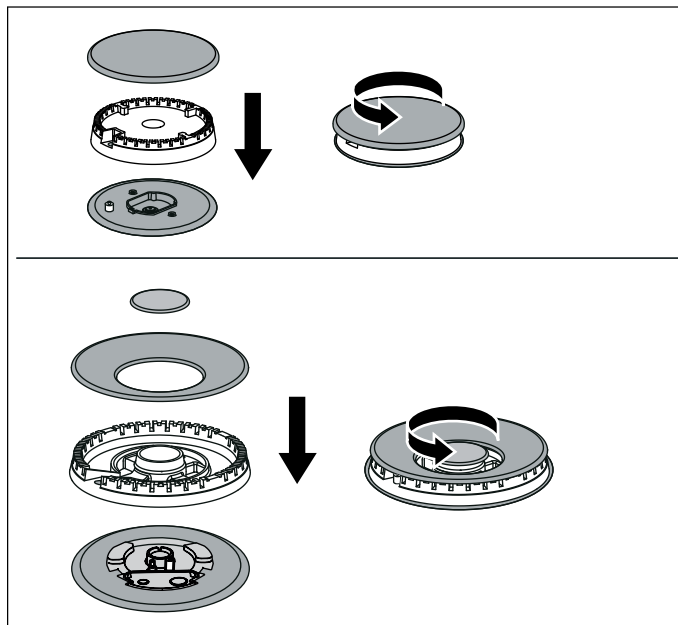
### Positionnement du chapeau et de la base du brûleur

Après avoir terminé le raccordement électrique, déposer chaque base de brûleur à l'endroit correspondant sur la table de cuisson. Une des trois rainures sur la base du brûleur doit être alignée avec l'encoche pour empêcher son pivotement. Le petit trou ou la petite découpe près du rebord doit aussi être aligné(e) avec l'allumeur. Faire très attention de ne pas endommager l'allumeur lors de l'installation de la base. Voir l'illustration ci-dessous.

Une fois toutes les bases installées et bien appuyées, placer les chapeaux de brûleur sur la base correspondante. Voir l'illustration.

Déposer délicatement le chapeau de brûleur sur le dessus de la base de sorte que les pattes de la base soient bien ajustées dans la goulotte du chapeau du brûleur.

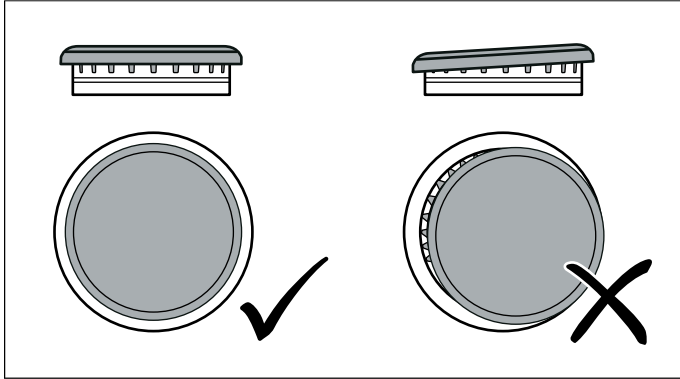
Si un installateur certifié retire la table de travail (par exemple pour vérifier le raccordement électrique ou les conduites), il faut réinsérer les vis à tête cylindrique large pour assurer le bon fonctionnement des brûleurs.



## Vérification du positionnement du chapeau du brûleur

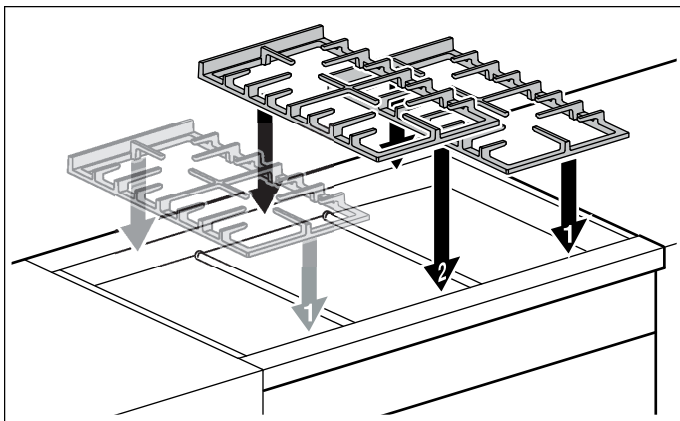
S'assurer qu'il n'y a aucun espace entre le chapeau et la base du brûleur. Consulter l'illustration ci-dessous pour voir un positionnement correct et incorrect du chapeau du brûleur.

Vous pouvez essayer délicatement de bouger le chapeau du brûleur pour vérifier s'il est correctement positionné. Si tel est le cas, un clic se fera entendre lorsque les pattes du chapeau frapperont la saillie de la goulotte.



## Installation des grilles

Positionnez d'abord les grilles extérieures, puis la grille centrale. Si vous n'avez que deux grilles, l'ordre dans lequel vous les positionnez n'est pas important.

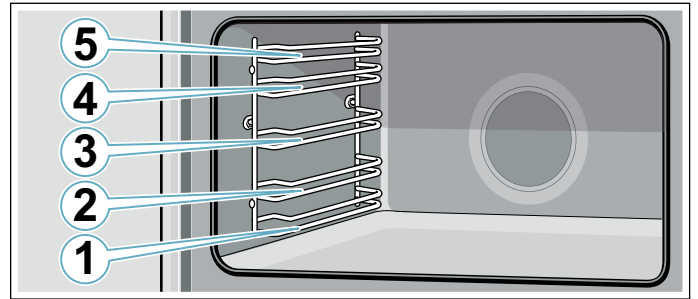


## Mise en place de la grille

### ▲ ATTENTION

- Pour éviter les brûlures, placer les grilles dans la position désirée avant de mettre le four en marche. Toujours utiliser des gants isolants lorsque le four est chaud. Si vous devez déplacer les grilles lorsque le four est chaud, ne pas laisser les gants isolants entrer en contact avec les éléments chauffants.
- Agir avec prudence en retirant les grilles de la position la plus basse pour éviter d'entrer en contact avec la porte du four chaude.
- Pour éviter toute blessure ou endommagement de l'appareil, s'assurer que les grilles sont installées conformément à la notice d'installation et non à l'envers ou sens dessus dessous.

La grille métallique peut être insérée dans le compartiment de cuisson sur cinq niveaux différents. Enfoncez toujours les accessoires à fond pour qu'ils ne touchent pas le panneau de la porte. Veillez à toujours insérer les accessoires dans le bon sens dans le compartiment de cuisson.

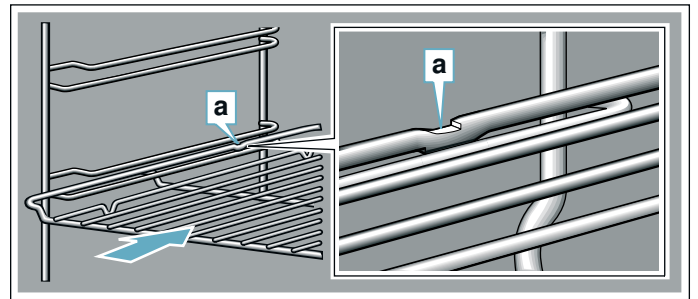


## Grille plate

La grille est conçue avec une butée, de manière à ce qu'elle s'arrête avant de sortir complètement du four et qu'elle ne bascule pas.

Insérez la grille métallique dans le four :

1. Saisir fermement la grille des deux côtés.
2. Installez la grille (voir illustration).



3. Inclinez la grille vers le haut pour engager la butée dans la glissière.
4. Ramenez la grille à l'horizontale et poussez-la complètement.  
La grille doit être droite, pas de travers.

Pour retirer la grille plate du four :

1. Saisissez fermement la grille des deux côtés et tirez-la vers vous.
2. Lorsque la butée est atteinte, inclinez la grille vers le haut façon et tirez-la complètement hors du four.

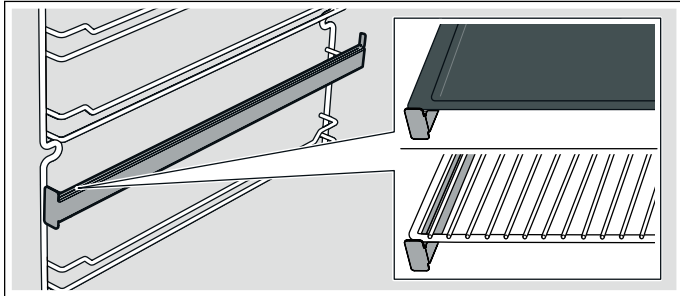
## Rail télescopique

### ▲ AVERTISSEMENT

#### RISQUE DE BRÛLURE

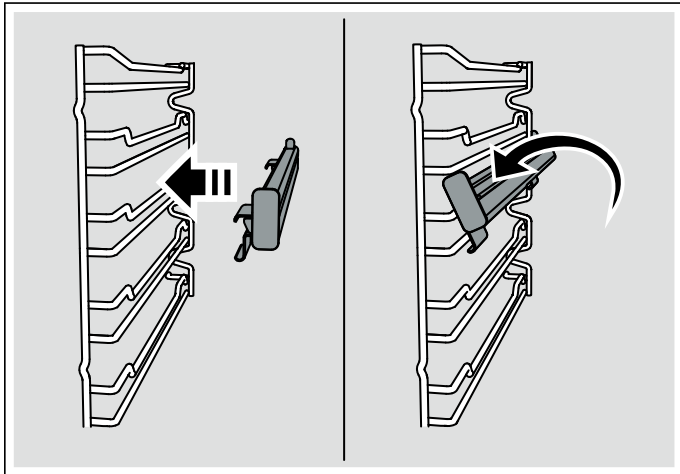
Les sorties télescopiques deviennent chaudes lors du fonctionnement de l'appareil. Attention aux brûlures lorsque celles-ci sont extraites.

Les rails télescopiques vous permettent de retirer complètement les accessoires. Lors de l'insertion de la plaque à pâtisserie et de la grille à rôtir, assurez-vous qu'elle se verrouille en place devant la languette sur les rails télescopiques.

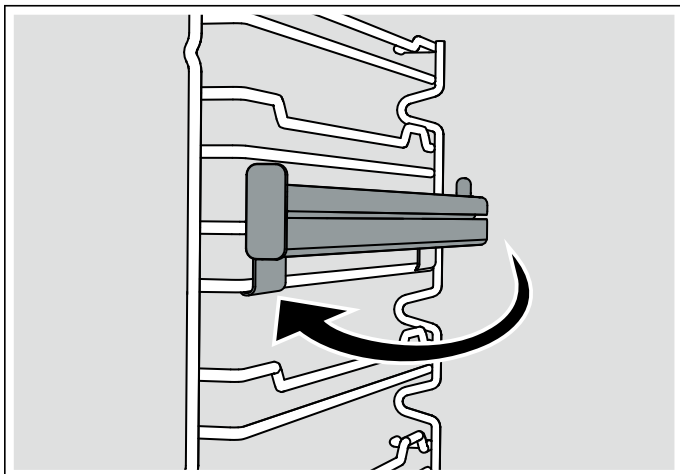


### Pour insérer le rail télescopique dans le four:

1. Accrochez la partie supérieure du rail dans la grille.



2. Fixez la partie inférieure du rail dans la grille.



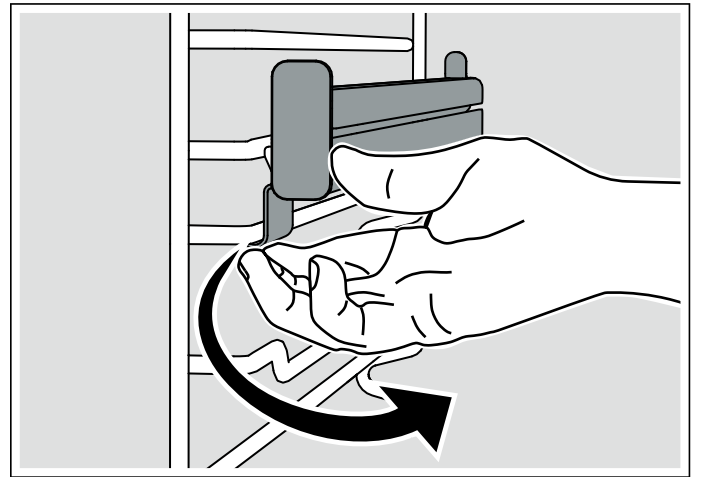
3. Faire glisser la partie amovible de la grille télescopique plusieurs fois d'avant en arrière pour vérifier qu'elle peut se déplacer librement et que la partie non amovible de la grille télescopique est bien fixée.

### ▲ ATTENTION

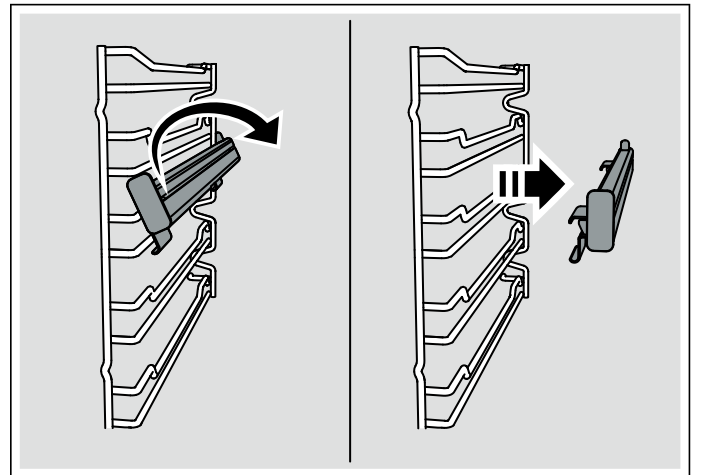
Pour éviter toute possibilité de blessure ou d'endommagement de l'appareil, s'assurer que la grille télescopique est installée exactement suivant les instructions de montage et non à l'envers ou sens dessus dessous.

### Retirez le rail télescopique du four :

1. Retirez la partie inférieure du rail de la grille.



2. Accrochez la partie supérieure du rail hors de la grille.



## Accessoires fournis

Votre appareil est équipé des accessoires suivants :

<b>Grille métallique</b>	Utilisation : Mise en place de moules à gâteaux, plats cuisinés, ustensiles de cuisine, viandes et plats surgelés. numéro de commande 36 po: 11034062
<b>Rail télescopique</b>	Utilisation : Retirez la grille métallique sans la faire basculer. Numéro de commande : 12029918

## Accessoires spéciaux (non-inclus)

<b>Anneau de support pour wok</b>	Utilisation : Convient uniquement aux brûleurs à double flamme. Utilisez un ustensile de cuisson à fond arrondi. Numéro de commande : HEZ9-GW23UC
<b>Plaque à griller</b>	Utilisation : La plaque chauffante permet des repas qui sont généralement cuits dans une poêle à préparer avec une teneur réduite en matières grasses. Numéro de commande : HEZ9GR41UC
<b>Paroi latérale</b>	Utilisation : Couvercle latéral pour les appareils électroménagers sans bloc-cuisine adjacent.
<b>Dosseret</b>	Utilisation : Couvercle pour le mur derrière la surface de cuisson.

## Utilisation de la plaque de cuisson

### Avant la première utilisation de l'appareil

- Retirer tous les matériaux d'emballage et la documentation de la table de cuisson.
- Lorsqu'elle est froide, essuyer la table de cuisson avec une éponge humide propre, et sécher.
- L'appareil peut dégager une légère odeur lors des premières utilisations. Ceci est normal et disparaîtra.
- Pour obtenir des résultats de cuisson optimum, choisir et utiliser des ustensiles appropriés. (Voir « Choix des ustensiles de cuisson - Recommandations sur la batterie de cuisine »).
- Lire toutes les précautions de sécurité et informations contenues dans le Guide d'utilisation et d'entretien avant de procéder à l'utilisation de l'appareil.

### Concernant cet appareil

Utiliser la table de cuisson pour des applications de cuisson sur une surface comme bouillir, frire, mijoter, cuire à la vapeur et sauter.

### ▲ AVERTISSEMENT

La combustion de gaz combustible pour la cuisson peut générer de faibles quantités de monoxyde de carbone, de benzène, de formaldéhyde et de suie. Pour minimiser l'exposition à ces substances, un installateur certifié ou un réparateur autorisé doit régler les brûleurs pour assurer une bonne combustion. Assurer une bonne ventilation en laissant une fenêtre ouverte, ou utiliser un ventilateur ou une hotte d'aération lorsque vous cuisinez avec du gaz. Toujours faire fonctionner l'appareil en suivant les consignes de ce manuel.

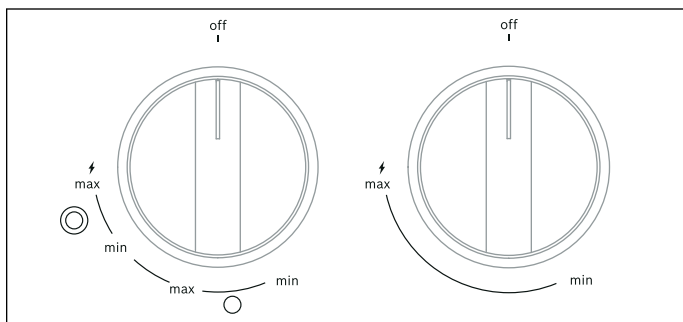
### Boutons de commande

La plaque de cuisson est munie d'un bouton de commande pour chaque brûleur. Poussez et tournez vers la gauche pour allumer et régler la chaleur sur la température désirée.

### ▲ AVERTISSEMENT

Le non respect du mode de fonctionnement des boutons peut entraîner des lésions corporelles ou des dommages à l'appareil.

La plaque de cuisson est équipée de commandes de brûleur standard.



### Symbole Signification

arrêt	Zone de cuisson désactivée
min	Puissance minimum
max	Puissance maximum
o	Flamme intérieure allumée
⊙	Flamme intérieure et extérieure activées

### Fonctionnement

Sélectionnez le bouton de commande approprié, poussez et tournez dans le sens antihoraire jusqu'au réglage de flamme souhaité. Avec ce mouvement, les étincelles du brûleur et le flux de gaz seront initiés. Une fois que la flamme apparaît, maintenez le bouton enfoncé à fond pendant 2-3 secondes avant de le relâcher.

**Remarque :** Il est normal que des étincelles apparaissent à tous les brûleurs.

Tournez le bouton de commande dans le sens horaire pour l'éteindre.

### En cas de panne de courant

En cas de panne de courant, les brûleurs peuvent être allumés par une autre source de flamme. Tenez une source de flamme allumée à côté des orifices de sortie de gaz du brûleur, tournez le bouton correspondant en position max, et retirez la source de flamme immédiatement après l'allumage du brûleur.

### Système de sécurité en cas de défaillance de la flamme

Votre cuisinière est équipée d'un système de sécurité qui coupe le flux de gaz en cas d'extinction de la flamme par accident, c'est-à-dire à cause d'un fort courant d'air ou d'un déversement important - empêchant ainsi une fuite de gaz non brûlé. Ce système nécessite une certaine procédure de démarrage du brûleur, voir ci-dessus, ce qui signifie que le bouton doit être enfoncé complètement pendant quelques secondes jusqu'à ce que le thermocouple du brûleur soit chauffé par la flamme et maintienne le débit de gaz.

### Fonctionnement normal - Allumage électronique

La plaque de cuisson utilise des allumeurs électroniques pour allumer les brûleurs. Il n'y a aucune flamme pilote. Chaque brûleur a son propre allumeur. Tous les allumeurs sont activés lorsqu'un bouton de commande est enfoncé.

### ⚠ ATTENTION

Pour éviter toute possibilité de blessure ou d'endommagement de l'électroménager, s'assurer que les grilles sont installées exactement suivant les consignes de montage et non à l'envers ou sens dessus dessous.

Pour un bon fonctionnement, l'allumeur doit être propre et sec.

- Évitez de mouiller ou de laisser tomber des aliments sur l'allumeur.
- Si l'allumeur est mouillé ou sale, il peut produire une étincelle sans toutefois allumer le brûleur ou même continuer à produire des étincelles malgré la présence d'une flamme.

**Remarque :** Si un brûleur ne s'allume pas dans les 4 secondes, éteindre le brûleur. Vérifiez si le chapeau du brûleur est bien installé sur sa base et que l'allumeur est propre et sec. Attendez au moins 5 minutes avant d'essayer de rallumer le brûleur. Si un brûleur refuse toujours de s'allumer, consultez la section « Avant d'appeler le service de dépannage ».

### Plaque

Pour cuire la plupart des aliments sur la plaque chauffante, la surface doit être préchauffée. La puissance du brûleur peut nécessiter un réglage si la plaque chauffante est utilisée depuis longtemps.

### Avant la première Utilisation

Avant d'utiliser votre nouvelle plaque chauffante, lavez-la dans de l'eau chaude savonneuse, rincez et séchez.

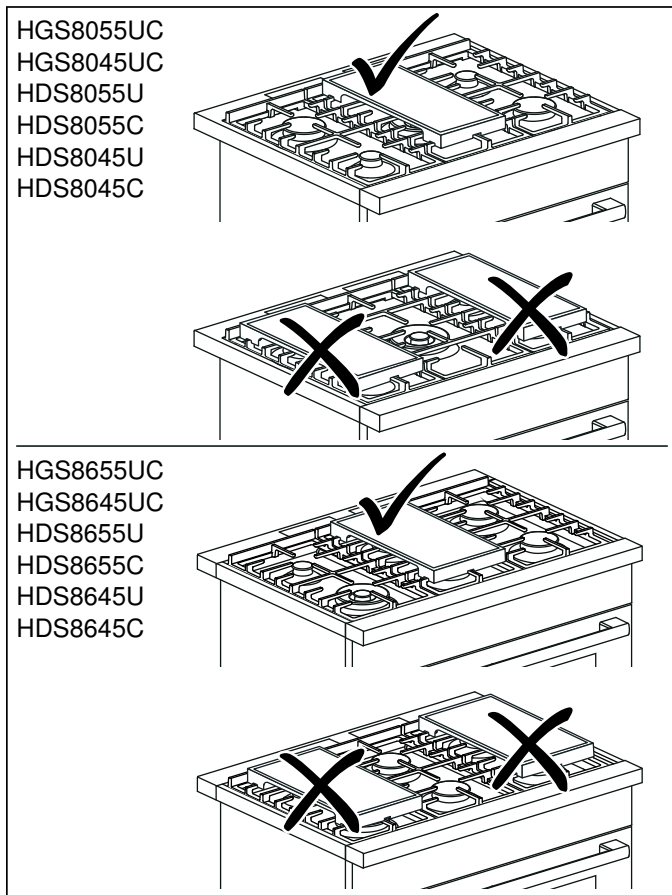
### Installation de la plaque

La plaque chauffante est personnalisée pour s'adapter uniquement sur les grilles illustrées ci-dessous.



## ▲ AVERTISSEMENT

Placer et retirer la plaque chauffante uniquement lorsque toutes les grilles et la plaque chauffante ont refroidi et tous les brûleurs sont éteints.



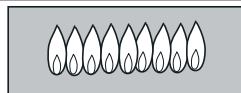
### Caractéristiques typiques de la flamme

La flamme du brûleur doit être de couleur bleue et stable, sans pointes jaunes, ni bruits excessifs, ni scintillements. Des flammes devraient apparaître autour du chapeau du brûleur.

### Vérification des caractéristiques de la flamme :

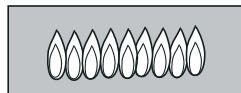
#### Flammes jaunes :

Des ajustements supplémentaires sont nécessaires.



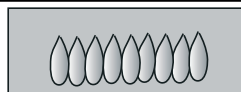
#### Pointes jaunes sur les cônes extérieurs :

Normal pour le gaz au propane.



#### Flammes bleues douces :

Normal pour le gaz naturel.



#### Flammes oranges :

Peut être normal si certains types d'humidificateurs sont utilisés dans la maison. Les flammes devraient redevenir bleues sans que l'humidificateur soit en marche.

- Si la flamme est complètement ou presque jaune, vérifiez que le régulateur est réglé avec le bon carburant. Recommencez le test après le réglage.
- Des stries jaunes sont normales lors de la première mise en service. Laissez l'appareil fonctionner pendant 4 à 5 minutes et réévaluez la situation avant d'effectuer les réglages.
- Des particules étrangères dans la conduite de gaz peuvent provoquer une flamme orange lors de la première utilisation. Cela devrait disparaître après quelques temps d'utilisation. Vérifiez le brûleur pour vous assurer que les orifices ne sont pas obstrués. Si les orifices sont obstrués → Page 64

**Remarque :** Un « bruit sourd » peut se faire entendre lorsque le brûleur est éteint manuellement. Il est possible qu'il soit plus intense avec du gaz au propane qu'avec du gaz naturel. Cela est normal.

## Tirer le meilleur parti de l'électroménager

### Suggestions de cuisson pour optimiser les résultats

- Faites bouillir l'eau dans une casserole avec un couvercle à température élevée en utilisant le plus grand brûleur pour optimiser les résultats. Si l'eau bouillante déborde, abaissez la température.
- Pour optimiser les résultats et faites fondre du chocolat ou du beurre et utilisez le plus petit brûleur avec un bain-marie.
- Pour faire mijoter un plat, amenez d'abord les aliments à ébullition. Mélangez correctement pour vous assurer que tout le contenu soit à ébullition puis mettez le couvercle et réduisez la chaleur pour laisser mijoter.
- Quand un plat mijote, on doit voir un peu de vapeur et la surface du liquide doit osciller légèrement.
- Utilisez un couvercle pour maintenir une température de cuisson uniforme et aider à réchauffer les aliments plus rapidement.
- Vérifiez les aliments à l'occasion, pour voir s'il faut abaisser ou hausser la température avec le bouton de commande.
- Il est normal de remuer les aliments à l'occasion.
- Déposez la casserole au centre du brûleur avant de l'allumer.
- Utilisez l'ustensile qui convient.
- Consultez les recommandations de réglage dans le tableau suivant pour connaître les suggestions.

## Recommandations de réglages

Utilisations	Réglage de température
Bouillir (par ex., de l'eau, du bouillon, etc.)	Élevé
Friture à la poêle, sauter, faire dorer la viande, grande friture	Moyenne à élevée
Cuisson sauté, œufs, crêpes, bacon	Moyenne
Cuire à la vapeur, braiser	Moyenne-faible
Faites fondre du chocolat ou du beurre, faites mijoter des sauces, de la soupe et des ragoûts (par ex., sauce tomate ou alfredo, mijoté de bœuf, etc.)	Faible

## Cuisson au brûleur normal

Le tableau présente l'optimisation des réglages de chaleur pour différents plats. La température et le temps de cuisson varient en fonction de la quantité et de la température des aliments, et de la composition du plat. Pour cette raison, nous indiquons des fourchettes de réglages. Essayer d'abord d'utiliser le niveau de chaleur le plus faible. Pendant la cuisson, la chaleur peut être augmentée.

## Tableau de cuisson au brûleur normal

Nourriture	Brûleur	Niveau de température de cuisson Débutez la cuisson (bouillir, fondre, dorer, frire, etc.)	Niveau de température de cuisson Poursuivre la cuisson (mijoter, braiser, pocher, maintenir chaud, etc.)
<b>Boissons</b>			
Cidre chaud	Flamme double Grand	Élevé	Moyenne faible
Chocolat chaud	Flamme double Grand	Moyenne élevée	Faible
Thé	Petit	Élevé	Faible
<b>Pains</b>			
Pain doré	Flamme double Grand	Moyenne	Moyenne - Moyenne faible
Crêpes	Flamme double Grand	Moyenne	Moyenne - Moyenne faible
Sandwichs grillés	Flamme double Grand	Moyenne	Moyenne - Moyenne faible
<b>Céréales</b>			
Haricots	Flamme double Grand	Élevé	Moyenne - Moyenne faible
Semoule de maïs/Polenta	Grand	Élevé	Moyenne - Moyenne faible
Gruau de maïs	Grand	Élevé	Moyenne - Moyenne faible
Gruau	Grand	Élevé	Moyenne - Moyenne faible
<b>Grande friture</b>			
Frites	Flamme double	Moyenne élevée	Moyenne élevée
Beignes	Flamme double	Moyenne élevée	Moyenne élevée
<b>Desserts</b>			
Garniture pour tarte, compote de fruits	Petit	Moyenne faible	Moyenne - Moyenne faible
Pouding	Petit	Moyenne faible	Moyenne - Moyenne faible
Fruits pochés	Flamme double Grand	Élevée - moyenne Élevée	Moyenne - Moyenne faible
<b>Œufs</b>			
Frits	Flamme double Grand	Moyenne élevée	Moyenne faible

<b>Nourriture</b>	<b>Brûleur</b>	<b>Niveau de température de cuisson Débutez la cuisson (bouillir, fondre, dorer, frire, etc.)</b>	<b>Niveau de température de cuisson Poursuivre la cuisson (mijoter, braiser, pocher, maintenir chaud, etc.)</b>
Brouillés	Flamme double Grand	Moyenne élevée	Moyenne Faible - faible
<b>Viande, poisson, volaille</b>			
Bacon, galettes à la saucisse	Flamme double	Moyenne élevée	Moyenne - Moyenne faible
Braiser : Viande braisée, bœuf braisé, viande à ragoût	Flamme double	Moyenne élevée	Faible
Cuisson sautée : poulet, poisson	Flamme double	Moyenne	Moyenne - Moyenne faible
Friture à la poêle : côtelettes d'agneau, steaks minces, galettes pour hamburger, saucisses en chapelet	Flamme double	Moyenne élevée	Moyenne
Mijoter : ragoût de poulet, bœuf en conserve, poisson poché	Flamme double	Élevé	Moyenne faible
<b>Pâtes</b>			
Tout type	Flamme double Grand	Élevé	Élevé
<b>Riz</b>			
Riz blanc	Grand	Élevé	Faible
Riz brun	Grand	Élevé	Faible
<b>Sauces</b>			
Sauce tomates : Marinara, bolognaise	Flamme double	Élevé	Faible
Sauces à base de crème : Alfredo, au fromage	Flamme double	Moyenne	Faible
Sauces à base de beurre : Béarnaise, Hollandaise	Grand Petit	Moyenne	Faible
<b>Soupes et bouillons</b>			
Soupe crémeuse	Flamme double Grand	Moyenne	Faible
Soupe à base de bouillon	Flamme double Grand	Élevé	Faible
Bouillon : Bœuf, poulet, légumes	Flamme double Grand	Élevé	Faible
<b>Légumes</b>			
Frais	Grand Petit	Élevé	Moyenne
Produits	Grand Petit	Élevé	Moyenne

## Remarque concernant les ustensiles

Les informations et conseils suivants ont été fournis pour vous aider à économiser de l'énergie et à éviter d'endommager vos ustensiles de cuisine.

### Ustensile de cuisson convenable

Brûleur	Diamètre recommandé de la base du fond de la casserole
Petit brûleur	5 po - 8 po (127 - 203 mm)
Grand brûleur	7 po - 9 1/2 po (178 - 240 mm)
Brûleur à flamme double	7 po - 11 po (178 - 280 mm)

**Les poêles d'un diamètre inférieur à 4,7 po (120 mm) ou supérieur à 11,0 po (280 mm) ne doivent pas être utilisées.** Si vous utilisez des casseroles plus grandes, celles-ci ne doivent pas dépasser les bords de l'appareil.

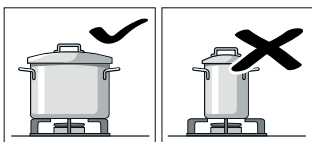
### Recommandations en matière d'ustensiles de cuisson

**Remarque :** Il est possible de percevoir une déformation temporaire de l'acier de la surface de cuisson lorsque vous utilisez certaines casseroles ou poêles. La déformation temporaire est normale et n'influence pas la fonctionnalité de l'appareil électroménager.

#### Ustensile de cuisson adéquat

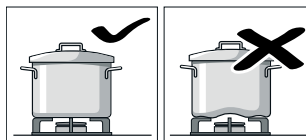
- Les casseroles à fond d'aluminium ou de cuivre conduisent la chaleur de façon uniforme.
- Les casseroles en acier inoxydable sans autres métaux n'offrent pas toujours une cuisson uniforme.
- Les ustensiles de fonte absorbent la chaleur lentement et cuisent plus uniformément à réglage moyen-faible.
- Des casseroles résistantes à fond plat sont stables et distribuent la chaleur uniformément.
- NE PAS UTILISER de casseroles minces, voilées, bosselées ou sillonnées, car elles ne distribuent pas la chaleur uniformément.

### Conseils d'utilisation



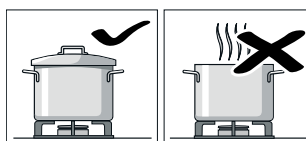
Utilisez des récipients de cuisson dont la taille est adaptée au brûleur.

N'utilisez pas de petits récipients de cuisson sur les grands brûleurs. La flamme ne doit pas remonter sur les côtés des récipients de cuisson.

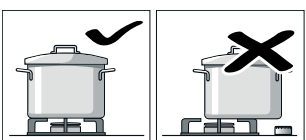


N'utilisez pas de récipients de cuisson déformés qui ne reposent pas bien à plat sur la table de cuisson. Les récipients peuvent basculer.

Utilisez seulement des récipients de cuisson à fond plat et épais.

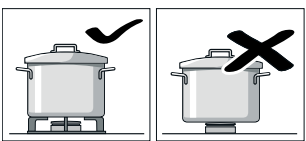


Ne faites pas cuire sans couvercle ou avec le couvercle mal positionné. Cela entraîne un important gaspillage d'énergie.



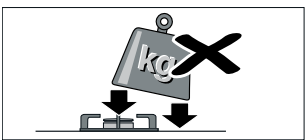
Centrez bien le récipient de cuisson au-dessus du brûleur, sinon il risque de basculer.

Ne placez pas de grandes casseroles sur les brûleurs situés près des commandes, ces dernières pourraient surchauffer et être endommagées.



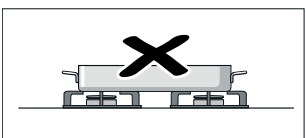
Posez les casseroles sur les grilles porte-casseroles, jamais directement sur les brûleurs.

Avant utilisation, assurez-vous que les grilles porte-casseroles et les chapeaux des brûleurs à gaz sont bien en place.



Manipulez avec précaution les récipients se trouvant sur la table de cuisson.

Ne donnez pas de coups sur la table de cuisson et n'y posez pas d'objets lourds.



Ne jamais chauffer un récipient de cuisson (p. ex. plat à rôtir, poêle, pierre à cuire) avec plusieurs brûleurs, à l'exception de la plaque chauffante.

L'accumulation résultante de la chaleur endommage l'appareil.

# Nettoyage et entretien – Table de cuisson

## Nettoyage quotidien

Vous pouvez nettoyer l'ensemble la table de cuisson en toute sécurité en l'essuyant avec une éponge et de l'eau savonneuse, en la rinçant puis en l'essuyant. Pour les tâches tenaces, respectez les méthodes de nettoyage recommandées ci-dessous.

### Recommandations en matière de nettoyage :

- Gardez toujours la zone de l'appareil propre et exempte de matériaux combustibles, d'essence et d'autres vapeurs et liquides inflammables.
- Utilisez toujours le produit nettoyant le plus doux possible pour la tâche à accomplir. Utilisez des éponges ou des chiffons doux et propres ou des essuie-tout.
- Frottez le fini en acier inoxydable dans le sens du grain. Séchez la surface pour éviter les marques d'eau.
- Avant de nettoyer, assurez-vous que les brûleurs sont éteints et que les grilles et les brûleurs aient refroidi.
- Ne nettoyez pas les pièces amovibles de la table de cuisson dans un four autonettoyant ou au lave-vaisselle.
- N'obstruez pas le flux d'air qui se trouve autour des brûleurs de la table de cuisson, de la protection arrière de la cuisinière et de la porte.

- Après le nettoyage, remettez toutes les pièces à la bonne position avant d'utiliser la table de cuisson.
- Pour optimiser le rendement du brûleur, gardez les allumeurs propres et secs.
- Maintenez les ports de l'allumeur propre pour optimiser le rendement du brûleur. Il est nécessaire de nettoyer les ports de l'allumeur après un débordement ou quand le brûleur ne s'allume pas au déclenchement des allumeurs électroniques.
- N'utilisez pas de produit nettoyant inflammable tel que l'essence à briquet.
- N'utilisez pas des nettoyeurs à base de chlore.
- Commencez toujours par tester les nettoyeurs sur une petite zone peu visible.

### ▲ ATTENTION

Tous les allumeurs produisent une étincelle lorsqu'on allume un brûleur quelconque. Ne touchez pas les brûleurs lorsque la table de cuisson est en cours d'utilisation.

## Lignes directrices de nettoyage

Les produits nettoyants recommandés ci-dessous et à la page suivante indiquent un type et ne signifient pas que nous cautionnons une marque en particulier. Utilisez tous les produits en suivant les instructions de l'emballage.

Pièces/matériel de la table de cuisson	Produits nettoyants suggérés	Rappels importants
Base du brûleur/ alliage d'aluminium	<ul style="list-style-type: none"><li>• Détergent et eau chaude ; rincez et séchez soigneusement.</li><li>• Brosse à dents à soies de nylon rigides pour nettoyer les ports.</li><li>• Produits nettoyants abrasifs : Tampons Brillo® ou S.O.S.®. Rincez et séchez.</li></ul>	<ul style="list-style-type: none"><li>• N'égratignez ou n'abîmez pas les ouvertures de ports.</li><li>• Nettoyez les ports avec un fil ou un trombone étiré.</li><li>• N'utilisez pas de cure-dents, car ils risquent de casser.</li><li>• N'immergez pas les bases des brûleurs.</li></ul>
Chapeau du brûleur / Émail vitrifié	<ul style="list-style-type: none"><li>• Détergent et eau chaude ; rincez et séchez soigneusement.</li><li>• Produits nettoyants non abrasifs : omettre l'ammoniaque, Fantastic®, Formula 409®.</li><li>• Produits nettoyants légèrement abrasifs : Bon Ami®, Ajax®, Comet®.</li><li>• Produits nettoyants liquides : Bar Keeper's Friends®, Soft Scrub®.</li><li>• Nettoyant doux liquide de Bar Keeper's Friend®.</li><li>• Remonter. Assurez-vous que le chapeau est bien appuyé sur sa base.</li></ul>	<ul style="list-style-type: none"><li>• Les éclaboussures d'aliments acides et très sucrés détériorent l'émail vitrifié.</li><li>• Nettoyez immédiatement les salissures dès que l'appareil a assez refroidi pour y toucher.</li><li>• N'utilisez pas d'éponge ou de serviette mouillée sur de la porcelaine chaude.</li><li>• N'immergez pas les chapeaux de brûleur.</li><li>• Utilisez toujours une pression minimale avec des produits nettoyants abrasifs.</li><li>• Séchez soigneusement après le nettoyage.</li></ul>

Pièces/matériel de la table de cuisson	Produits nettoyants suggérés	Rappels importants
Boutons de commandes et manettes	<ul style="list-style-type: none"> <li>• Détergent et eau chaude ; rincez et séchez soigneusement.</li> <li>• Pour retirer les boutons, tirez vers l'extérieur.</li> </ul>	<ul style="list-style-type: none"> <li>• Ne faites pas tremper les boutons.</li> <li>• N'utilisez pas de produits nettoyants abrasifs ou de tampons à récurer comme Bon Ami®, Ajax® ou Comet®. Ils peuvent endommager le fini de façon permanente ou enlever les dessins.</li> </ul>
Finition extérieur/Acier inoxydable	<ul style="list-style-type: none"> <li>• Produits nettoyants non abrasifs : eau chaude et détergent, Fantastic®, Formula 409®. Rincez et séchez immédiatement.</li> <li>• Conditionneur pour acier inoxydable Bosch (Numéro de commande : 00576696)</li> <li>• Agent polissant : Stainless Steel Magic® pour protéger le fini des taches et de la corrosion; améliore l'apparence.</li> <li>• Taches de calcaire : vinaigre blanc domestique.</li> <li>• Produits nettoyants légèrement abrasifs : Bon Ami®.</li> <li>• Oxydation due à la chaleur : Bar Keepers Friend®</li> </ul>	<ul style="list-style-type: none"> <li>• N'utilisez pas de tampons de laine d'acier. Ils égratigneront la surface.</li> <li>• L'acier inoxydable résiste à la plupart des taches alimentaires et aux marques de corrosion pourvu que la surface soit propre et protégée.</li> <li>• Ne laissez jamais de taches alimentaires ou du sel sur de l'acier inoxydable, peu importe la durée de temps.</li> <li>• Frottez délicatement dans le sens du grain.</li> <li>• Le chlore ou les composés chlorés contenus dans certains produits nettoyants peuvent oxyder l'acier inoxydable. Vérifiez les ingrédients sur l'étiquette avant d'utiliser le produit.</li> </ul>
Grilles et grille de pont / émail vitrifié sur fonte	<ul style="list-style-type: none"> <li>• Produits nettoyants non abrasifs : eau chaude et détergent, Fantastic®, Formula 409®. Rincez et séchez immédiatement.</li> <li>• Produits nettoyants légèrement abrasifs : Bon Ami® et Soft Scrub®.</li> <li>• Produits nettoyants pour taches tenaces : tampons métalliques savonneux.</li> <li>• Vous pourriez aussi nettoyer les grilles de brûleurs dans le lave-vaisselle. Enlevez tous les aliments brûlés avant de déposer les grilles de brûleurs dans le lave-vaisselle. Placez-les dans le panier inférieur du lave-vaisselle et utilisez le détergent à lave-vaisselle recommandé par le fabricant.</li> </ul>	<ul style="list-style-type: none"> <li>• Les grilles sont lourdes ; utilisez-les avec prudence. Déposez sur une surface protégée pour les nettoyer.</li> <li>• Les boursouffures, les fendillements et les éclats sont courants en raison des températures extrêmes sur les pattes des grilles et des changements rapides de températures.</li> <li>• Les éclaboussures d'aliments acides et très sucrés détériorent l'émail. Nettoyez immédiatement les salissures dès que l'appareil a assez refroidi pour y toucher.</li> <li>• Un produit nettoyant abrasif utilisé trop vigoureusement ou souvent peut éventuellement marquer l'émail.</li> <li>• Ne nettoyez pas la grille dans un four autonettoyant.</li> </ul>
Allumeurs/céramique	<ul style="list-style-type: none"> <li>• Essuyez délicatement avec un coton-tige trempé dans l'eau ou le Formula 409®.</li> <li>• Retirez délicatement les salissures à l'aide d'un cure-dent.</li> </ul>	<ul style="list-style-type: none"> <li>• Évitez les excès d'eau sur l'allumeur. Un allumeur humide empêchera le brûleur de s'allumer.</li> <li>• Enlevez les éventuelles peluches pouvant subsister après le nettoyage.</li> </ul>

## Salissures brûlées

Pour les salissures tenaces et brûlées, vous pouvez vous procurer un gel nettoyant dans notre boutique en ligne, auprès de votre revendeur ou de notre service après-vente (référence 00311859). Il convient aux supports de casserole et la surface de cuisson en inox. Si nécessaire, laissez agir sur les salissures pendant la nuit. Respectez les consignes indiquées sur le nettoyant.

## AVIS : DOMMAGES SUR LA SURFACE -

Ne pas utiliser le gel nettoyant sur les parties des brûleurs.




# Fonctionnement du four

## Avant la première utilisation de l'appareil

- Il peut y avoir une légère odeur pendant les premières utilisations. C'est normal et cela va disparaître.
- Lire toutes les consignes de sécurité et les informations du manuel d'utilisation et d'entretien avant d'utiliser l'appareil.

## Fixer le temps

Une fois l'appareil raccordé à une alimentation électrique, **12:00** se met à clignoter sur l'écran. Réglez l'heure.

1. Utilisez le bouton  ou  pour régler l'heure.
2. Effleurez le bouton .

**Remarque :** Une fois que la période autorisée pour régler l'heure sur l'horloge s'est écoulée, l'heure sera automatiquement enregistrée.

L'heure est maintenant réglée.

## Préparation du four

1. Retirez les accessoires et les grilles de crémaillère du compartiment de cuisson.
2. Retirez complètement tout restes d'emballage, tels que des morceaux de polystyrène, dans le compartiment de cuisson.
3. Retirez le film de protection des pièces.
4. Nettoyez le corps de la machine avec un tissu doux et humide.
5. Nettoyez la cavité du four avec de l'eau chaude savonneuse.

## Configuration initiale

Afin de prévenir l'excès de fumée et d'odeur provenant de l'extraction des huiles, faites chauffer le four une première fois vide et fermé.

**Remarque :** Veillez à ce qu'il n'y ait pas de restes d'emballage, tels que des granulés de polystyrène, dans le compartiment de cuisson. Avant de chauffer l'appareil, essuyez les surfaces lisses du compartiment de cuisson avec un linge doux et humide. Gardez la cuisine ventilée pendant que l'appareil chauffe.

1. Faire fonctionner les brûleurs de la table de cuisson pour garantir que toute la lumière et l'air sont évacués du système de gaz. Suivez les instructions → Page 43
2. Éteignez les brûleurs de la table de cuisson.
3. Faites fonctionner le four en appuyant fermement sur le bouton de commande de la température du four et en tenant pendant deux secondes.  
Le ventilateur de refroidissement s'allume et des étincelles seront entendues.
4. Tournez le bouton dans le sens antihoraire pour cuire à 500 F et relâcher.  
Le four commence à chauffer et l'allumage des étincelles cessera après quelques secondes.

5. Après environ une heure, tournez la commande de température du four dans le sens des aiguilles d'une montre sur éteint.
6. Poussez et tournez le bouton de contrôle de la température du four dans le sens des aiguilles d'une montre pour griller et libérer
7. Après environ 10 minutes, tournez le bouton dans le sens des aiguilles d'une montre pour l'éteindre.
8. Une fois le four refroidi, essuyez-le avec de l'eau chaude savonneuse et replacez les guides de crémaillère.

**Remarque :** Lorsque l'appareil chauffe pour la première fois, il se peut que vous entendiez des craquements provenant du four.

## Nettoyer les accessoires

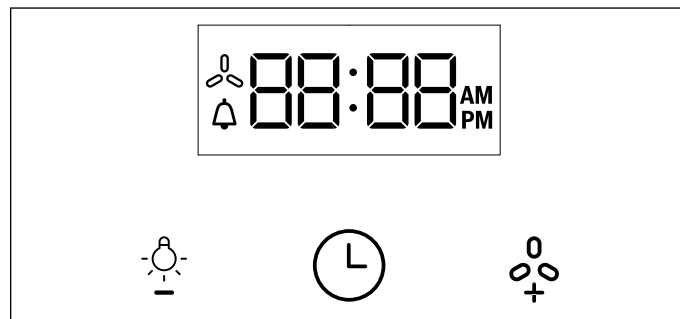
Avant d'utiliser les accessoires, nettoyez-les soigneusement avec de l'eau chaude additionnée de produit à vaisselle et une lavette.

## Montage du jeu de tablettes télescopiques

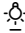


Les instructions de montage du jeu d'étagères télescopiques sont fournies avec le jeu.

## Concernant cet appareil

### Panneau de commande du four

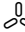



### Boutons

-  Lumière du four/moins
-  Fonctions temporelles
-  Ventilateur de convection/plus

**Remarque :** Vous n'avez qu'à appuyer légèrement sur les boutons pour les actionner.

### Écran

-  Ventilateur de convection allumé
-  Minuterie de cuisine
- AM/PM Temps



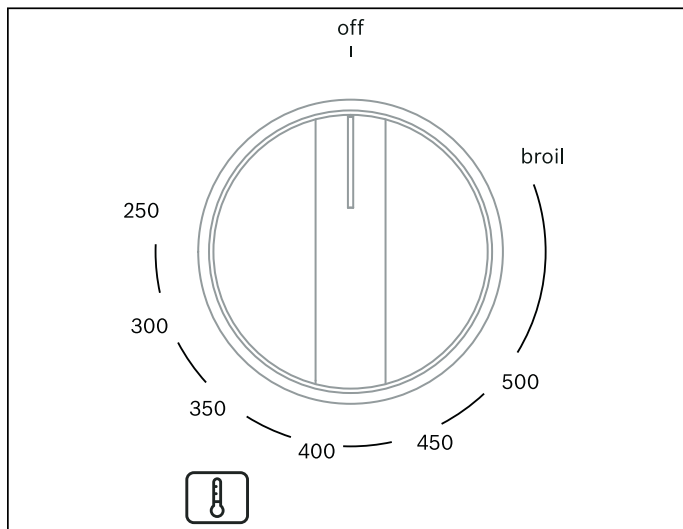
## Boutons de commande

### ▲ AVERTISSEMENT

Le non respect du mode de fonctionnement des boutons peut entraîner des lésions corporelles ou des dommages à l'appareil.

### Four

Réglez la température du brûleur de cuisson ou du gril à l'aide du bouton de commande pour le four.



### Symbole Signification

arrêt	Four éteint
250-500	Température de cuisson au four
gril	Mise en marche du grill à gaz

**Pour faire fonctionner :** Appuyez fermement sur le bouton de commande de température du four et tournez-le dans le sens inverse des aiguilles d'une montre pour cuire au four ou dans le sens horaire pour griller. Les étincelles commenceront avec ce mouvement et allumeront la flamme au brûleur correspondant.

Tournez le bouton de commande dans le sens horaire pour l'éteindre.

### Remarques

- Le four a une fonction de poussée et de rotation pour limiter le débit de gaz si la commande n'est pas enfoncée fermement pendant quelques secondes avant de mettre le four à la température désirée.
- Gril n'a qu'un seul réglage, à la position marquée gril.
- N'essayez pas de tourner le bouton de commande du four du gril pour cuire les températures dans le sens horaire, ou des températures de cuisson au gril dans le sens antihoraire. Le contrôle doit s'éteindre puis passer à cuire ou griller.

## Options de réglage du temps

### Réglage de l'horloge électronique

Pour régler l'horloge, le four doit être éteint.

- Appuyez sur le bouton et maintenez-le enfoncé jusqu'à ce qu'il clignote.
- Modifiez l'heure à l'aide des boutons et .
- Appuyez sur le bouton .

### Réglage de la minuterie

La minuterie n'a aucun effet sur le fonctionnement du four. La durée de la minuterie peut être réglée de 30 secondes à 23 heures et 59 minutes.

- Effleurez le bouton .  
Le symbole clignote et l'afficheur indique **00:00**.
- Utilisez les boutons et pour régler l'heure souhaitée pour la minuterie.  
Un signal sonore retentit une fois le temps écoulé.

### Remarques

- Pour modifier le temps restant, appuyez sur le bouton . Utilisez ensuite les boutons et pour modifier le temps restant.
- Pour annuler la minuterie, appuyez sur le bouton . Réglez ensuite le temps restant à zéro à l'aide des boutons et .

### Désactivation de la tonalité

Appuyez sur n'importe quel bouton pour désactiver le signal sonore.

**Remarque :** Après 7 minutes, le signal sonore s'arrête automatiquement.

### Modification de la tonalité

Trois tonalités de signal différentes sont disponibles.

- Maintenez les boutons et enfoncées en même temps pendant environ deux secondes.
- Effleurez le bouton .  
La tonalité actuellement sélectionnée s'affiche à l'écran, par exemple "Tonalité 1".
- Appuyez sur le bouton pour sélectionner une autre tonalité.
- Effleurez le bouton .

### Caractéristiques du four


#### Ventilateur de refroidissement

Le ventilateur de refroidissement est en marche dans tous les modes de cuisson. Lorsque le four est en marche, le ventilateur est audible et l'air chaud peut être ressenti par la ventilation du four. Le ventilateur peut fonctionner jusqu'à ce que le four ait refroidi.

#### Ventilateur de convection

Le ventilateur de convection n'est pas disponible pour la cuisson au gril. Vous pouvez mettre le ventilateur de convection en marche et l'arrêter en appuyant sur . Si la porte du four est ouverte, le ventilateur de convection s'arrêtera.

## Éclairage de four

Votre appareil est équipé d'un éclairage de four. Vous pouvez allumer et éteindre l'éclairage du four en appuyant sur .

## Surfaces dans la cavité du four

La paroi arrière et les parties latérales de la cavité du four sont autonettoyantes. Vous pouvez le voir par la surface rugueuse.

Le plancher et le plafond de la cavité du four sont émaillés et ont des surfaces lisses.

## Remarques

- Utilisez une plaque de four sur la première étagère inférieure pour recueillir les liquides produite par la cuisson au grill.
- utilisez une plaque de four pour cuire des aliments qui pourraient libérer des graisses ou des huiles, afin d'éviter le déversement de ces substances sur la plaque du sol du four.

## Surfaces autonettoyantes

Les surfaces autonettoyantes sont recouvertes d'une couche de céramique poreuse et mate. Ce revêtement absorbe et évacue les éclaboussures provenant de la cuisson et de la torréfaction pendant que l'appareil est en fonctionnement.

---

### ▲ ATTENTION

N'utilisez pas de nettoyant pour four sur les surfaces autonettoyantes. Cela endommagera les surfaces. Si le nettoyant pour four entre en contact avec ces surfaces, tamponner immédiatement avec de l'eau et un tissu-éponge. Ne frottez pas la surface et n'utilisez pas de produits de nettoyage abrasifs.

---

## Tirer le meilleur parti de l'électroménager

### Papier d'aluminium

---

### ▲ AVERTISSEMENT

Ne pas utiliser de papier aluminium ou de doublure de protection pour revêtir toute partie de l'appareil, et en particulier la sole du four. L'utilisation de ces doublures peut entraîner un risque de choc électrique ou d'incendie.

---

## Préchauffez le four

- Mettez les grilles du four dans la position désirée avant de faire chauffer le four.
- Faites toujours préchauffer le four.
- Laissez le four préchauffer pendant la préparation des ingrédients de la recette ou des aliments.
- Si vous augmentez la température du four, vous aurez besoin d'un temps de préchauffage plus long.
- Lorsque le four est préchauffé, un bip sonore retentit pendant 2 secondes.

- Une fois le four préchauffé, placez les aliments dans le four le plus rapidement possible pour minimiser la perte de chaleur et la diminution de la température du four.

## Casseroles et plats allant au four

- Les plats de cuisson en verre absorbent la chaleur. Certain fabricants d'ustensiles de cuisine recommandent de réduire la température de 25°F lorsque vous utilisez ce type de plat. Respectez les recommandations du fabricant.
- Les plaques à biscuits doivent avoir au moins 1 po de dégagement des deux côtés.
- Utilisez des plats adaptés au degré de brunissage désiré. Pour obtenir une croûte tendre, légère et brun doré, utilisez des plats allant au four en métal anodisé ou brillant.
- Les plats foncés, rugueux ou mats (antiadhésifs ou anodisés) absorbent la chaleur et donnent une croûte plus dorée et plus croustillante. Certains fabricants recommandent de réduire la température de 25°F lorsque vous utilisez ce type de poêle. Respectez les recommandations du fabricant.
- Les plaques à biscuits ou les plats allant au four isolés feront augmenter la durée de cuisson.
- Ne posez pas de grill ou d'autres objets lourds sur la porte ouverte du four.
- Ne rangez pas les poêles vides ou les pierres à pizza dans le four pendant la cuisson, car cela risquerait de modifier le résultat de la cuisson. Rangez les poêles à l'extérieur du four.

## Ouverture de la porte du four

Ouvrez et fermez la porte de l'appareil uniquement en tenant la poignée de porte. Pour éviter tout risque de brûlure, ne touchez aucune autre partie de la porte.

Ouvrez la porte aussi brièvement que possible pour éviter toute baisse de température.

Utilisez la lumière intérieure du four pour voir les aliments à travers la fenêtre du four plutôt que d'ouvrir la porte fréquemment.

## Cuisson à haute altitude

À haute altitude, les recettes et les temps de cuisson peuvent varier.

Pour des renseignements plus précis, écrire au Service de vulgarisation de la Colorado State University, à Fort Collins, Colorado 80521. Des frais peuvent être exigés pour l'achat de ces guides de cuisson. Préciser le nom du guide de préparation culinaire à haute altitude que vous désirez : renseignements généraux, gâteaux, biscuits, pains, etc.

## Condensation

Il est normal de voir une certaine quantité de vapeur d'eau s'échapper des aliments lors de la cuisson. La quantité dépend de la teneur en humidité de l'aliment. L'humidité peut se condenser sur n'importe quelle surface plus froide que la cavité du four, comme par exemple sur le bandeau de commande.

## Gril

Le Gril utilise la chaleur intense diffusée par l'élément supérieur.

Le mode grille convient mieux à la cuisson de morceaux de viande (1 po ou moins), de volaille et de poisson fins et tendres. On peut l'utiliser également pour faire griller le pain et gratiner les plats en casserole. Faites toujours griller les aliments avec la porte fermée.

Les avantages de la cuisson au gril comprennent :

- Une cuisson rapide et efficace.
- Une cuisson sans ajout de graisses ou de liquides.

## Conseils

- Préchauffez le four pendant 3 à 4 minutes. Ne préchauffez pas plus de 5 minutes.
- Les biftecks et les côtelettes doivent avoir au moins 3/4 po d'épaisseur.

- Badigeonnez le poisson et la volaille de beurre ou d'huile pour éviter qu'ils ne collent.
- Utilisez un lèche frite avec une grille lors de la cuisson au gril.
- Ne recouvrez pas la grille avec du papier d'aluminium. Elle est conçue pour évacuer les graisses et les huiles de la surface de cuisson afin d'éviter la fumée et les éclaboussures.
- Retournez les viandes (autres que le poisson) une fois pendant le temps de cuisson recommandé. Le poisson n'a pas besoin d'être retourné.
- Lorsque vous faites dorer le dessus des casseroles, n'utilisez que des plats en métal ou en vitrocéramique.
- N'utilisez jamais de verre résistant à la chaleur ; il ne supporte pas les températures élevées.

# Nettoyage et entretien – Four

Pour éviter les risques d'électrocution, avant de réparer l'appareil, mettre l'alimentation hors circuit au niveau du panneau de service et le verrouiller pour éviter toute mise en circuit accidentelle.

## Nettoyage du four

### Éviter ces produits de nettoyage

Ne pas utiliser les produits de nettoyage commerciaux tels que Easy Off®. Ils risquent d'abîmer le fini ou les pièces du four.

Le chlore ou des composés chlorés contenus dans certains produits de nettoyage peuvent oxyder l'acier inoxydable. Vérifier les ingrédients sur l'étiquette.

Ne jamais utiliser des tampons à récurer ou des produits de nettoyage abrasifs.

## Guide de nettoyage de four

Pièce	Recommandations
Support plat	Nettoyez à l'eau chaude savonneuse. Rincez à fond, séchez ou frottez doucement avec de la poudre à récurer ou des tampons savonneux en suivant les directives.
Rail télescopique	Nettoyez à l'eau chaude savonneuse. Rincez à fond, séchez ou frottez doucement avec de la poudre à récurer ou des tampons savonneux en suivant les directives. Évitez de mettre de la poudre à récurer dans les glissières télescopiques. Il peut s'avérer nécessaire de lubrifier de nouveau les glissières. Utilisez uniquement des lubrifiants pour haute température de qualité alimentaire pour les lubrifier.
Joint en fibre de verre	Ne nettoyez pas le joint de la porte : le joint de porte est essentiel pour une bonne étanchéité. Veillez à ne pas frotter, endommager ou déplacer le joint.
Verre	Nettoyez avec de l'eau savonneuse ou avec un nettoyant pour vitres. Appliquez le produit Fantastik® ou Formula 409® sur une éponge ou un essuie-tout propre et essuyez-le. Évitez les agents nettoyants à base de poudre, les tampons métalliques et les produits à nettoyer le four.


Pièce	Recommandations
Surfaces peintes	Nettoyez à l'eau savonneuse ou appliquez les produits Fantastik® ou Formula 409® sur une éponge propre ou un essuie-tout et essuyer. Évitez d'utiliser des produits de nettoyage en poudre, des tampons de laine d'acier et des nettoyeurs pour fours.
Surfaces en porcelaine	Essuyez immédiatement les déversements acides comme le jus de fruits, le lait et les tomates avec un chiffon sec quand la surface est assez froide pour être touchée. N'utilisez pas d'éponge ou de chiffon humide sur la porcelaine chaude. Une fois refroidi, nettoyez avec de l'eau chaude savonneuse ou appliquez le nettoyant Bon-Ami® ou Soft Scrub® sur une éponge humide. Rincez et séchez. Pour les taches tenaces, utilisez des tampons savonneux. Il est normal que la porcelaine présente de fines ridules avec l'âge en raison de l'exposition à la chaleur et au sol alimentaire.
Surfaces en acier inoxydable (HGS8.55UC, HDS8.55.)	Ne laissez jamais de taches alimentaires ou du sel sur de l'acier inoxydable, peu importe la durée de temps. Essuyez ou frottez toujours dans la direction du grain. Nettoyez avec une éponge savonneuse puis rincez, séchez, ou essuyez avec le produit Fantastik® ou Formula 409® vaporisé sur un essuie-tout. Protéger et polir en utilisant du Stainless Steel Magic® et un chiffon doux. Retirez les traces d'eau avec un chiffon humecté de vinaigre blanc. Utilisez Bar Keeper's Friend® pour éliminer les traces d'oxydation. Le chlore ou les composés chlorés de certains nettoyeurs sont corrosifs pour l'acier inoxydable. Vérifiez les ingrédients sur l'étiquette.
Surfaces inoxydables noires (HGS8.45UC, HDS8.45.)	Pour les surfaces en acier inoxydable noir et les surfaces anti-traces de doigts, utilisez une serviette douce et sèche. Pour les saletés tenaces, utilisez de l'eau tiède diluée avec un savon nettoyant doux et non abrasif. N'utilisez jamais de produit de polissage pour l'acier inoxydable.
Plastique & contrôles	Lorsqu'il est refroidi, nettoyez à l'eau savonneuse puis rincez et séchez.


Pièce	Recommandations
Sonde thermométrique (HDS8..5.)	Essuyez à l'eau savonneuse. Ne plongez pas dans l'eau. Ne lavez pas au lave-vaisselle.
Zones imprimées (mots & chiffres)	N'utilisez pas de nettoyeurs abrasifs ou de solvants à base de pétrole.

## Nettoyage des surfaces autonettoyantes

### ▲ ATTENTION

N'utilisez pas de nettoyant pour four sur les surfaces autonettoyantes. Cela endommagera les surfaces. Si le nettoyant pour four entre en contact avec ces surfaces, épongez immédiatement avec de l'eau et un tissu-éponge. Ne frottez pas la surface et n'utilisez pas de produits de nettoyage abrasifs.

1. Utilisez un tissu microfibre avec de l'eau savonneuse pour nettoyer les parties supérieures et inférieures des surfaces autonettoyantes.
2. Réglez le brûleur de four sur la température la plus élevée.
3. Appuyez sur  pour activer la recirculation de l'air.
4. Éteignez l'appareil au bout d'une heure.
5. Si les surfaces latérales autonettoyantes sont particulièrement sales, retirez-les du compartiment de cuisson.
 

**Remarque :** La surface autonettoyante du panneau arrière doit rester dans le compartiment de cuisson.
6. Lavez les surfaces autonettoyantes à l'eau chaude savonneuse.
7. Rincez et séchez les surfaces autonettoyantes.
8. Insérez le système autonettoyant dans le compartiment de cuisson.
9. Réglez le brûleur de four sur 350°F (177°C).
10. Appuyez sur  pour activer la recirculation de l'air.
11. Éteignez l'appareil au bout d'une heure.

## Entretien

### Comment retirer les guides de crémaillère et les surfaces autonettoyantes

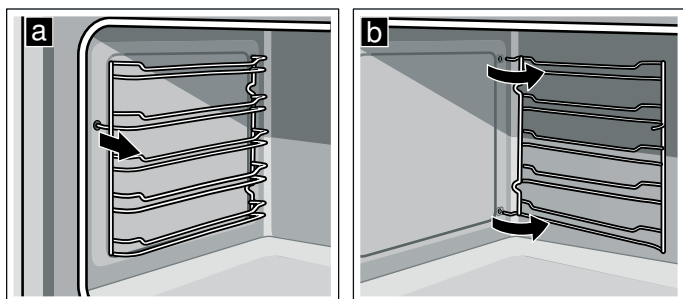
Les guides des grilles sont fixés sur les panneaux latéraux de l'espace de cuisson à trois endroits. Les surfaces autonettoyantes sont maintenues par les guides de crémaillère.

1. Lorsque le four est froid, saisissez l'avant du guide de crémaillère et tirez-le vers le milieu du compartiment de cuisson.

Le crochet avant du guide de crémaillère sortira du trou.

2. Faites pivoter le guide de crémaillère davantage et retirez-le des trous arrière du panneau latéral.

3. Retirez les guides de crémaillère du compartiment de cuisson.



4. Remplacez les surfaces autonettoyantes et les guides de crémaillère dans l'ordre inverse dans lequel ils ont été enlevés.

### Comment retirer la vitre de la porte du four

#### ⚠ AVERTISSEMENT

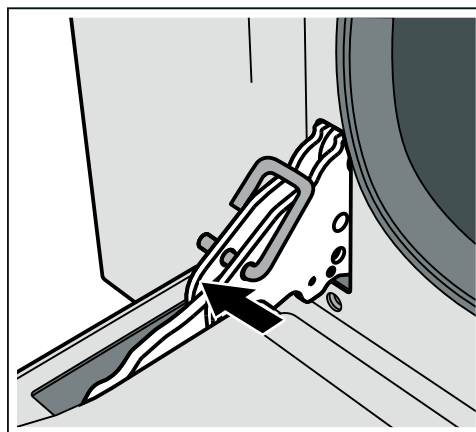
- Avant de démonter la porte, assurez-vous que le four est froid et que le courant qui l'alimente a été coupé. Le non-respect de cette précaution pourrait entraîner un choc électrique ou des brûlures.
- Les panneaux de verre sont grands, lourds et certaines parties sont fragiles. Retirez-les à deux mains. Manipulez-les avec précaution pour éviter des cassures.
- Si le verre n'est pas saisi fermement et correctement, il y a un risque de blessure ou de dommage à l'appareil.
- Ne posez pas le verre enlevé sur des objets pointus ou tranchants, car cela pourrait la briser. Posez le verre sur une surface plane et lisse de sorte qu'il ne risque pas de tomber.

#### ⚠ ATTENTION

Pour éviter de se couper les doigts sur du verre cassé, portez des gants.

Pour faciliter le nettoyage, les vitres intérieures de la porte peuvent être enlevées.

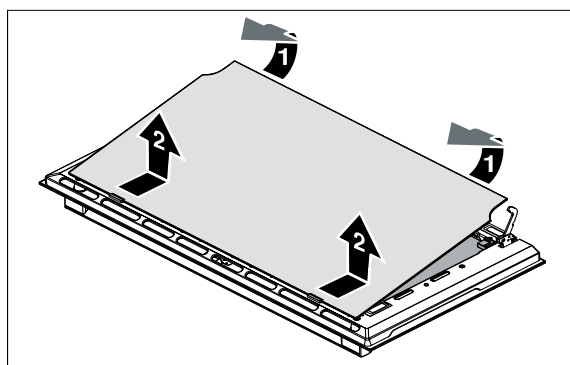
1. Ouvrez complètement la porte du four.
2. Verrouillez les deux charnières à gauche et à droite à l'aide de la goupille de verrouillage. Les goupilles de verrouillage doivent être complètement insérées dans les trous des charnières.



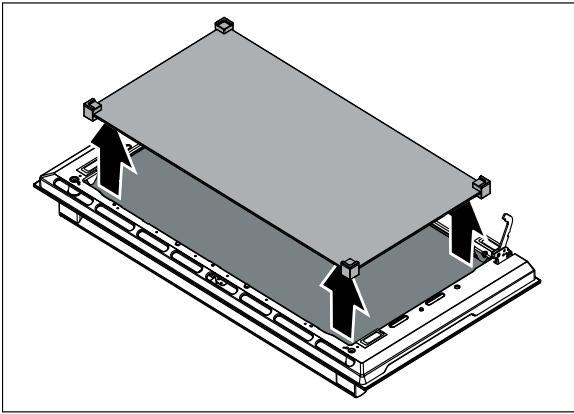
3. Enlevez la vitre intérieure en tirant doucement la partie arrière vers le haut, tout en suivant le mouvement indiqué par les flèches (1). De cette façon, les 2 premières broches attachées à l'arrière de la vitre se détachent de leurs logements dans la porte du four. Ensuite, poussez légèrement la vitre vers le compartiment de cuisson et tirez-la vers le haut (2). De cette façon, les 2 autres broches attachées à l'avant de la vitre se détachent de leurs logements de la porte du four.

#### ⚠ ATTENTION

Déplacez la vitre lentement pour éviter tout dommage au verre et au cadre du compartiment de cuisson.



4. Retirez la vitre intermédiaire en la soulevant vers le haut.



5. Nettoyez la vitre extérieure et celles retirées précédemment. Utilisez du papier absorbant. En cas de saleté tenace, lavez avec une éponge humide et un détergent neutre.
6. Remettez en place le panneau central.

#### Remarques

- Si le symbole Faible-E peut être lu, cela signifie que le panneau central est correctement installé.
  - Assurez-vous que le panneau soit correctement installé. Tous les supports en caoutchouc doivent être posés à plat contre le panneau extérieur.
7. Repositionnez la vitre intérieure. Insérez d'abord la partie avant dans les deux clips et les 2 broches à l'avant dans leurs logements. Insérez ensuite les 2 broches à l'arrière dans leurs logements dans la porte du four en appliquant une légère pression.

#### ⚠ ATTENTION

Ne pas utiliser si la vitre intermédiaire n'est pas correctement remontée.

8. Retirez les goupilles de blocage et fermez la porte du four.

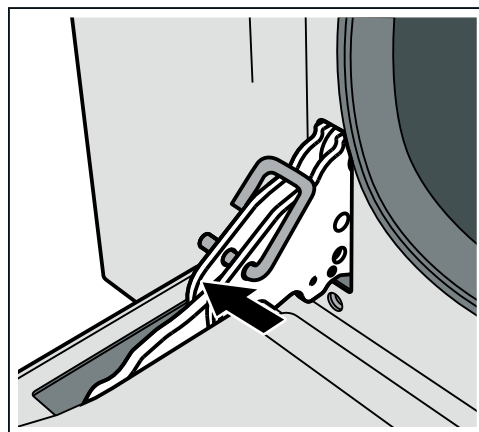
## Démontage de la porte du four

### ⚠ AVERTISSEMENT

- Assurez-vous de laisser refroidir le four et que l'alimentation du four ait été coupée avant de retirer la porte. Le non-respect de cette précaution pourrait entraîner un choc électrique ou des brûlures.
- La porte du four est lourde et certaines parties sont fragiles. Enlevez-la à deux mains. Le devant de la porte est en verre. Manipulez les lentilles avec précaution pour éviter de les endommager.
- Saisissez uniquement le côté de la porte du four. Ne saisissez pas la poignée, car elle peut pivoter dans la main et provoquer des dommages ou des blessures.
- Si la porte du four n'est pas saisie fermement et correctement, il y a un risque de blessure ou de dommage à l'appareil.
- Pour éviter les blessures causées par la fermeture de la ferrure d'articulation, assurez-vous que les deux leviers sont bien en place avant de retirer la porte. De plus, ne forcez pas la porte à s'ouvrir ou à se fermer : la charnière pourrait être endommagée et des blessures pourraient en résulter.
- Ne posez pas la porte sur des objets pointus ou tranchants, car cela pourrait briser la vitre. Posez la porte sur une surface plane et lisse de sorte à ne pas la faire tomber.

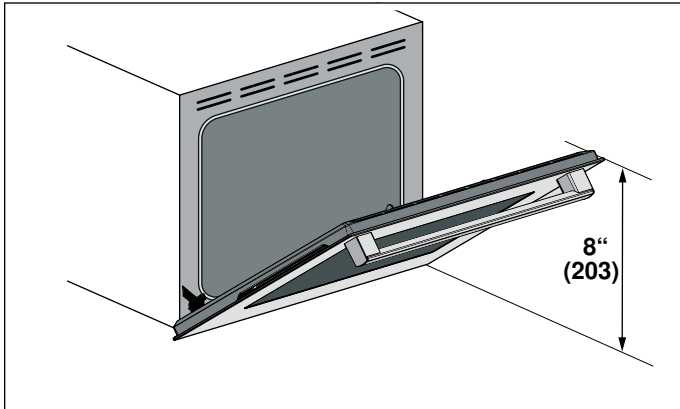
Pour éviter de vous blesser ou d'endommager l'appareil, lisez attentivement l'AVERTISSEMENT ci-dessus avant d'essayer d'enlever la porte du four.

1. Ouvrez complètement la porte du four.
2. Verrouillez les charnières gauche et droite à l'aide de la goupille de verrouillage. Les goupilles de verrouillage doivent être complètement insérées dans les trous des charnières.





3. Fermez la porte du four jusqu'à ce qu'elle s'enclenche sur les leviers d'arrêt des charnières tout en verrouillant ces dernières selon l'angle correct pour le retrait de la porte. La porte peut être retirée lorsqu'elle est soulevée d'environ 8 pouces (203 mm) de la position ouverte. La tension des charnières à ressort est ainsi relâchée, ce qui permet à la porte de s'ouvrir facilement.



### ⚠ ATTENTION

#### RISQUE DE PINCEMENT

La fermeture de la porte de 8 po (203 mm) enlève la pression du ressort. Si cela n'est pas fait, la porte peut toujours être retirée, mais le loquet se referme et vous pince ou vous coupe la main.

4. La porte est lourde. Saisissez les côtés de la porte fermement et des deux mains. Ne saisissez pas la porte par la poignée. En maintenant l'angle de la porte au même niveau, soulevez cette dernière d'environ 3/4 po (19 mm) vers le haut pour décrocher les charnières des fentes, puis tirez-la vers vous jusqu'à ce que les charnières soient libres du foyer du four.
5. Placez la porte dans un endroit pratique et stable pour le nettoyage.
6. Remplacez la porte dans l'ordre inverse dans lequel elle a été retirée.

## Remplacement d'un éclairage de four

### ⚠ ATTENTION

LORS DU REMPLACEMENT DE L'ÉCLAIRAGE DU FOUR :

- Assurez-vous que l'appareil et les lumières soient froids et que l'appareil a été mis hors tension avant de remplacer la ou les ampoules. Le non-respect de cette consigne peut entraîner un choc électrique ou des brûlures.
- Portez des gants.
- Les lentilles doivent être en place lors de l'utilisation de l'appareil.
- Les lentilles servent à protéger l'ampoule de la rupture.
- Les lentilles sont en verre. Manipulez les lentilles avec précaution pour éviter de les endommager. Le verre brisé peut causer des blessures.
- La prise de courant est sous tension lorsque la porte est ouverte.

### Caractéristiques des ampoules :

**Voltage :** 120 V ;

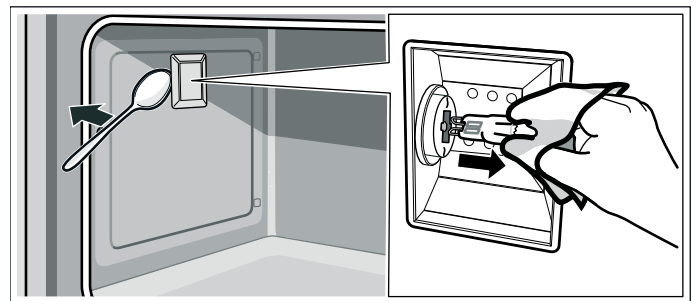
**Puissance :** 40 W ;

**Ajustement :** G9 ;

**Résistance à la température :** 575 F (300 C)

### Pour changer l'ampoule :

1. Laissez refroidir le compartiment de cuisson.
2. Ouvrez la porte de l'appareil électroménager.
3. Placez un linge dans la cavité du four pour éviter de l'endommager.
4. Retirez les grilles et les guides de crémaillère.
5. Retirez le couvercle en verre. Pour ce faire, ouvrez manuellement le couvercle en verre situé à l'avant. Si vous avez de la difficulté à enlever le couvercle en verre, utilisez une cuillère pour vous aider.
6. Retirez l'ampoule du four.



7. Remplacez l'ampoule du four par une ampoule du même type.
8. Remplacez le couvercle en verre de l'ampoule du four.
9. Remplacez les guides de crémaillère et les grilles.
10. Retirez le linge.
11. Ré-enclenchez le disjoncteur.
12. Vérifiez que l'éclairage du four fonctionne à nouveau.



# Tableaux de cuisson

Les tableaux de cuisson peuvent servir de guide. Suivez les instructions de l'emballage ou de la recette.

## Plats de boulangerie/Plats principaux

Aliment	Mode de cuisson recommandé	Température du four	Pré-chauffez le four	Nombre de grilles	Position de la grille	Temps (min.)	Type et taille de casserole
<b>Gâteaux</b>							
Gâteau des anges	Cuisson + ventilateur	325 °F (160 °C)	Oui	Simple	2	45-55	Tube de 10 po (25 cm)
Savarin	Cuisson + ventilateur	325 °F (160 °C)	Oui	Simple	2 ou 3	55-65	Moule à savarin de 12 tasses
Cupcakes	Cuisson	325 °F (160 °C)	Oui	Simple	2 ou 3	15-20	Moule à muffins de 12 alvéoles
	Cuisson + ventilateur	325 °F (160 °C)	Oui	Multiple	2 + 4	15-20	Moule à muffins de 12 alvéoles
Ronds de gâteaux	Cuisson	350 °F (175 °C)	Oui	Simple	2 ou 3	25-35	rond de gâteau de 8 po ou 9 po (20 cm ou 23 cm)
4 Ronds de gâteaux	Cuisson + ventilateur	325 °F (160 °C)	Oui	Multiple	2 + 4	25-35	rond de gâteau de 8 po ou 9 po (20 cm ou 23 cm)
Galette	Cuisson	350 °F (175 °C)	Oui	Simple	2	30-35	13 po x 9 po x 2 po (33 cm x 23 cm x 5 cm)
Tarte aux pommes	Cuisson	375 °F (190 °C)	Oui	Simple	2	55-60	Moule à tarte de 9 po (23 cm)
<b>Biscuits</b>							
Brownies	Cuisson + ventilateur	350 °F (175 °C)	Oui	Simple	2 ou 3	30-45	Moule carré de 8 po ou 9 po (20 cm ou 23 cm)
Biscuits aux bri-sures de chocolat	Cuisson	350 °F (175 °C)	Oui	Simple	2 ou 3	9-15	plaque à biscuits
	Cuisson + ventilateur	325 °F (160 °C)	Oui	Multiple	2 + 5	9-15	plaque à biscuits
Barres de biscuits	Cuisson + ventilateur	350 °F (175 °C)	Oui	Simple	2 ou 3	20-35	Moule carré de 8 po ou 9 po (20 cm ou 23 cm)
Biscuits au sucre	Cuisson	375 °F (190 °C)	Oui	Simple	3	8-12	plaque à biscuits
	Cuisson + ventilateur	375 °F (190 °C)	Oui	Multiple	2 + 4	8-12	plaque à biscuits
<b>Mets principaux</b>							
Plats en casserole	Cuisson	temp. recette	Oui	Simple	2 ou 3	temps de préparation de la recette	plat pour mets en casserole
Quiche	Cuisson	375 °F (190 °C)	Oui	Simple	2 ou 3	30-40	moule à quiche
Soufflé	Cuisson	350 °F (175 °C)	Oui	Simple	2 ou 3	35-50	moule à soufflé

<b>Aliment</b>	<b>Mode de cuisson recommandé</b>	<b>Température du four</b>	<b>Pré-chauffez le four</b>	<b>Nombre de grilles</b>	<b>Position de la grille</b>	<b>Temps (min.)</b>	<b>Type et taille de casserole</b>
Légumes	Cuisson + ventilateur	temp. recette	Non	Simple	2 ou 3	temps de préparation de la recette	plat pour mets en casserole
<b>Pâtisseries</b>							
Choux à la crème	Cuisson + ventilateur	350 °F (175 °C)	Oui	Simple	2 ou 3	30-40	plaque à biscuits
	Cuisson + ventilateur	350 °F (175 °C)	Oui	Multiple	2 + 4	35-45	plaque à biscuits
Pâte feuilletée	Cuisson + ventilateur	375 °F (190 °C)	Oui	Simple	2 ou 3	15-25	plaque à biscuits
<b>Tartes</b>							
1 croûte de tarte	Cuisson + ventilateur	450 °F (230 °C)	Oui	Simple	2 ou 3	10-20	moule à tarte de 9 po (22 cm)
2 croûtes, fruit	Cuisson + ventilateur	375 °F (190 °C)	Oui	Simple	2 ou 3	45-60	moule à tarte de 9 po (22 cm)
Produits	Cuisson	400 °F (204 °C)	Oui	Simple	2 ou 3	durée pour l'emballage	mode de préparation sur l'emballage
Pécans	Cuisson	350 °F (175 °C)	Oui	Simple	2 ou 3	45-60	moule à tarte de 9 po (22 cm)
Tarte à la citrouille	Cuisson	350 °F (175 °C)	Oui	Simple	2 ou 3	40-60	moule à tarte de 9 po (22 cm)
<b>Pizza</b>							
Pierre à cuisson	Cuisson + ventilateur	500 °F (260 °C)	Oui	Simple	2	temps de préparation de la recette	pierre à cuisson
Frais	Cuisson + ventilateur	500 °F (260 °C)	Oui	Simple	2	10-14	plaque à pizza
Croûte épaisse, congelée	Cuisson + ventilateur	sur l'emballage	Oui	Simple	sur l'emballage	temps de préparation de la recette	mode de préparation sur l'emballage
Croûte épaisse, congelée	Cuisson + ventilateur	sur l'emballage	Oui	Simple	sur l'emballage	temps de préparation de la recette	mode de préparation sur l'emballage
<b>Pains éclair</b>							
Biscuits	Cuisson	350 °F (175 °C)	Oui	Simple	2	19	plaque à biscuits
	Cuisson + ventilateur	350 °F (175 °C)	Oui	Multiple	2 + 4	21	plaque à biscuits
Pain	Cuisson	375 °F (190 °C)	Oui	Simple	2 ou 3	50-60	Moule à pain 8 po x 4 po (20 cm x 10 cm)
Muffins	Cuisson + ventilateur	400 °F (204 °C)	Oui	Simple	2 ou 3	18-30	Moule à muffins de 12 alvéoles
	Cuisson + ventilateur	400 °F (204 °C)	Oui	Multiple	2 + 4	20-35	Moule à muffins de 12 alvéoles
<b>Pains à la levure</b>							
Petits pains	Cuisson + ventilateur	350 °F (175 °C)	Oui	Simple	2 ou 3	15-30	plaque à biscuits
	Cuisson + ventilateur	350 °F (175 °C)	Oui	Multiple	2 + 4	20-35	plaque à biscuits

Aliment	Mode de cuisson recommandé	Température du four	Pré-chauffez le four	Nombre de grilles	Position de la grille	Temps (min.)	Type et taille de casserole
Pain	Cuisson + ventilateur	400 °F (204 °C)	Oui	Simple	2 ou 3	25-40	Moule à pain 9 po x 5 po (23 cm x 13 cm)
Viennoiseries	Cuisson + ventilateur	350 °F (175 °C)	Oui	Simple	2 ou 3	20-30	plaque à biscuits
Pain focaccia	Cuisson + ventilateur	400 °F (204 °C)	Oui	Simple	2	23-27	plaque à biscuits
<b>Aliments congelés</b>							
Lasagne	Cuisson + ventilateur	400 °F (204 °C)	Oui	Simple	2	durée pour l'emballage	mode de préparation sur l'emballage

## Viandes

Les tableaux sont à titre indicatif. Respectez le mode de préparation de l'emballage ou de la recette.

Aliment	Mode de cuisson recommandé	Température du four	Position de la grille	Température de cuisson interne	Temps de cuisson	Nourriture couverte	Temps de repos
<b>Bœuf</b>							
Hamburgers, 1.8 lbs (0.500 g)	Gril	Élevé	5	Moyen, 160 °F (71 °C)	Côté 1 : 8 Côté 2 : 7	Non	aucun
Faux-filet, désossé, 3 lbs-3,5 lbs (1,3 kg-1,6 kg).	Cuisson + ventilateur	325 °F* (163 C)	2 ou 3	Moyen, saignant 145 F (63 °)	27-31 min/lb.	Non	entre 10 et 15 min.
Faux-filet, désossé, 3 lbs-3,5 lbs (1,3 kg-1,6 kg).	Cuisson + ventilateur	325 °F* (163 C)	2 ou 3	Moyen, 160 °F (71 °C)	30-38 min/lb.	Non	entre 10 et 15 min.
Bifteck de croupe, noix, surlonge, désossé, 3 lbs-4lbs (1,4 kg-1,8 kg).	Cuisson + ventilateur	325 °F (160 °C)	2 ou 3	Moyen, saignant 145 F (63 °)	18-33 min/lb.	Non	entre 10 et 15 min.
Biftecks, 1 po (2,5 cm) d'épaisseur	Gril	Élevé	5	Moyen, saignant 145 F (63 °)	Côté 1 : 5 à 8 Côté 2 : 4 à 6	Non	aucun
Filet, 3-4 lbs (1,4 kg-1,8 kg).	Cuisson + ventilateur	425 °F (218 °C)	2 ou 3	Moyen, saignant 145 F (63 °)	15-24 min/lb.	Non	10 à 15 min.
<b>Agneau</b>							
Gigot, désossé, 2 lbs-4.5 lbs (900 g-1,8 kg).	Cuisson + ventilateur	325 °F* (163 C)	2 ou 3	Moyen, saignant 145 F (63 °)	25-30 min/lb.	Non	entre 10 et 15 min.

\*Préchauffez le four

Les temps de rôtissage sont approximatifs et peuvent varier en fonction de la forme de la viande.

Une dinde farcie exige un temps de cuisson plus long. La température sécuritaire minimum pour une farce de volaille est de 165 °F (75 °C).

**Remarque :** La USDA recommande de mesurer la température interne des aliments à l'aide d'un thermomètre à viande numérique.

Aliment	Mode de cuisson recommandé	Température du four	Position de la grille	Température de cuisson interne	Temps de cuisson	Nourriture couverte	Temps de repos
Gigot, désossé, 2 lbs-4.5 lbs (900 g-1,8 kg).	Cuisson + ventilateur	325 °F* (163 °C)	2 ou 3	Moyen, 160 °F (71 °C)	30-35 min/lb	Non	entre 10 et 15 min.
Côtelettes, 1 po (2,5 cm) d'épaisseur	Gril	Élevé*	5	Moyen, saignant 145 F (63 °)	Côté 1 : 4 à 6 Côté 2 : 4 à 5	Non	entre 10 et 15 min.
Côtelettes, 1 po (2,5 cm) d'épaisseur	Gril	Élevé*	5	Moyen, 160 °F (71 °C)	Côté 1 : 5 à 7 Côté 2 : 5 à 6	Non	aucun

### Porc

Rôti de longe, 2.2 lbs-6.5 lbs (0,2 kg-2,72 kg).	Cuisson	350 °F (177 °C)	2	Moyen, 160 °F (71 °C)	16-25 min/lb.	Non	aucun
Côtelettes, 0.3 à 0.4 lbs (0,136 à 0,181 kg).	Gril	Élevé	5	160 °F (71 °C)	Côté 1 : 8 à 12 Côté 2 : 6 à 10	Non	aucun
Saucisse, fraîche	Gril	Élevé	5	170 °F (75 °C)	Côté 1 : 5 à 7 Côté 2 : 4 à 6	Non	aucun
Filet, 2 lbs-3 lbs (900 g-1,4 kg)	Cuisson	425 °F (218 °C)	2	Moyen, 160 °F (71 °C)	15-28 min/lb.	Non	aucun

### Volaille

Poulet							
Poitrines avec os	Gril	Élevé	4	170 °F (75 °C)	Côté 1 : 15 à 20 Côté 2 : 13 à 18	Non	aucun
Cuisses avec os	Gril	Élevé	4	180 F (82°C)	Côté 1 : 12 à 15 Côté 2 : 9 à 11	Non	aucun
Poulet entier 3-6.6 lbs (1,36-3 kg).	Cuisson + ventilateur	375 °F* (190 °C)	2	180 F (82°C)	15-25 min/lb.	Non	aucun
Poulets de Cornouaille, 1.5 à 3 lbs (680 g à 1,36 kg).	Cuisson + ventilateur	350 °F (175 °C)	2	180 F (82°C)	45 à 75 min, temps de cuisson total	Non	aucun

### Dinde

\*Préchauffez le four

Les temps de rôtiage sont approximatifs et peuvent varier en fonction de la forme de la viande.

Une dinde farcie exige un temps de cuisson plus long. La température sécuritaire minimum pour une farce de volaille est de 165 °F (75 °C).

**Remarque :** La USDA recommande de mesurer la température interne des aliments à l'aide d'un thermomètre à viande numérique.

<b>Aliment</b>	<b>Mode de cuisson recommandé</b>	<b>Température du four</b>	<b>Position de la grille</b>	<b>Température de cuisson interne</b>	<b>Temps de cuisson</b>	<b>Nourriture couverte</b>	<b>Temps de repos</b>
Poitrine, 4 lbs-8 lbs (1,8-3,6 kg).	Cuisson + ventilateur	325 °F* (163 C)	2 ou 3	180 F (82 °C)	17-25 min/lb.	Couvrez de papier d'aluminium pour empêcher de trop brunir	aucun
Non farcie, 12-19 lbs (5,4-8,6 kg).	Cuisson + ventilateur	325 °F* (163 C)	2	180 F (82 °C)	7-15 min/lbs.	Couvrez de papier d'aluminium pour empêcher de trop brunir	aucun
Non farcie, 20-30 lbs (9-13,6 kg).	Cuisson + ventilateur	325 °F* (163 C)	2	180 F (82 °C)	7-15 min/lbs.	Couvrez de papier d'aluminium pour empêcher de trop brunir	aucun
<b>Fruits de mer</b>							
Filets de poisson	Gril	Élevé*	4	145 °F (60 °C)	Côté 1 : 11 à 15 Côté 2 : 11 à 15	Non	aucun

\*Préchauffez le four

Les temps de rôtissage sont approximatifs et peuvent varier en fonction de la forme de la viande.

Une dinde farcie exige un temps de cuisson plus long. La température sécuritaire minimum pour une farce de volaille est de 165 °F (75 °C).

**Remarque :** La USDA recommande de mesurer la température interne des aliments à l'aide d'un thermomètre à viande numérique.

# Service après-vente

Contactez notre service à la clientèle si votre appareil doit être réparé. Notre service à la clientèle de (voir ci-dessous) se fera un plaisir de vous fournir des détails sur la façon d'obtenir un service réparation.

## Dépannage

Avant de contacter le Service Après-Vente, veuillez songer à suivre les suggestions et les instructions ci-dessous :

### ▲ ATTENTION

Les réparations devraient être effectuées uniquement par un réparateur autorisé.

Des réparations inappropriées sur votre appareil peuvent mener à des risques de blessures graves ou de décès.

Problème	Suggestion
Les brûleurs ne s'allument pas/les allumeurs ne produisent pas d'étincelles	<ul style="list-style-type: none"><li>Assurez-vous que la soupape d'arrêt du gaz est en position « marche » (ON) et que l'alimentation en gaz de la maison n'est pas coupée.</li><li>Veillez à ce que les chapeaux, les bases et les orifices du brûleur ne soient pas obstrués. Dégagez les ports avec un fil ou un trombone déplié s'ils sont bouchés.</li><li>Assurez-vous que les allumeurs sont propres et secs.</li><li>Vérifiez l'alimentation électrique. Elle doit être correctement mis à la terre avec la bonne polarité. Assurez-vous que l'unité est entièrement branchée sur la prise et que le disjoncteur n'est pas déclenché.</li></ul>
Le(s) brûleur(s) de la table de cuisson ne démarre pas correctement, la flamme s'éteint au niveau du brûleur dès que le bouton est relâché	<ul style="list-style-type: none"><li>La raison probable est que la poussée dans le temps était trop courte ou la poussée trop douce. Appuyez à fond sur le bouton, une fois que la flamme apparaît, maintenez-le enfoncé dans cette position complète pendant 3 à 5 secondes.</li><li>Si la flamme ne tient pas, vérifiez que le brûleur est propre et que les pièces sont correctement fixées.</li></ul> <p><b>Remarque :</b> Il doit y avoir une flamme vers la broche brune du brûleur, qui est le thermocouple.</p>
La flamme du brûleur s'éteint de façon inattendue	Assurez-vous qu'il n'y a pas de courant d'air dans la pièce.
Des étincelles apparaissent sur le mauvais brûleur	Pas de défaut : lors du démarrage d'un brûleur sur tous les brûleurs, des étincelles seront générées.
Les allumeurs s'allument même si les boutons sont en position d'arrêt	Lorsque la connexion électrique a été activée à la première mise sous tension ou rebranchée après une panne, les allumeurs peuvent produire une ou deux étincelles, même si tous les boutons du brûleur sont à la position arrêt (OFF).
Les résultats de cuisson ne sont pas ceux escomptés	<ul style="list-style-type: none"><li>Vérifiez le niveau du brûleur de la plaque de cuisson pendant l'installation.</li><li>La poêle ne s'adapte pas à la surface utilisée.</li><li>L'ustensile de cuisson n'est pas du type ou de la taille recommandée. Voir « Notes concernant les ustensiles de cuisson » et « Poêles et plats de cuisson » → Page 53.</li></ul>
Si la porte du four est plus chaude qu'avant, retirez la vitre de la porte du four pour le nettoyer	Vérifiez si la vitre de la porte du four est dans le bon sens (le symbole bas E peut être lu).
La porte du four n'est pas équilibrée	Vérifiez si la vitre intérieure de la porte est présente/a été insérée lors du remontage.

Problème	Suggestion
Si le four est froid avec la commande du four réglée pour cuire ou griller.	<ul style="list-style-type: none"> <li>• Vérifier un brûleur de table de cuisson pendant quelques minutes pour être sûr que le gaz circule vers la cuisinière. Si ce n'est pas le cas, vérifiez que votre réservoir de GPL ou la vanne d'isolation de l'installation est ouverte. Si du gaz est disponible sur les brûleurs de la table de cuisson, la procédure de démarrage du brûleur du four n'a probablement pas été exécutée correctement. Assurez-vous que lors de la procédure de démarrage, le bouton est enfoncé à fond et écoutez les étincelles et le débit de gaz vers le brûleur correspondant.</li> <li>• La fonction pousser et tourner peut empêcher le flux de gaz. Assurez-vous de suivre les instructions → Page 52, c.-à-d. appuyez sur le bouton de commande pendant quelques secondes (cela fait circuler le gaz), puis tournez pour cuire au gril et libérer. Cela allume le gaz.</li> <li>• La procédure de démarrage automatique s'arrêtera au bout de 10 secondes (plus d'étincelles), puis vous pourrez vérifier si la flamme est générée en ouvrant la porte de l'appareil (brûleur de cuisson visible à travers les trous de la plaque inférieure, le brûleur du gril est libre). Si aucune flamme n'est visible, laissez la porte du four ouverte pendant 5 minutes, puis fermez-la et réessayez.</li> </ul>
Le réglage du gril ne peut pas être changé.	C'est correct, le gril n'a qu'un seul réglage, marqué par le mot gril. Pour réduire ou en augmenter l'intensité de la cuisson au gril, déplacez la grille vers le haut ou vers le bas. Suivre les instructions pour les grilles → Page 41
Le bouton de commande du four peut passer de gril à des températures de cuisson.	C'est correct. Le bouton de commande ne peut être tourné que du gril au four, ou vice versa, via la position d'arrêt.

## Comment bénéficier du service de garantie

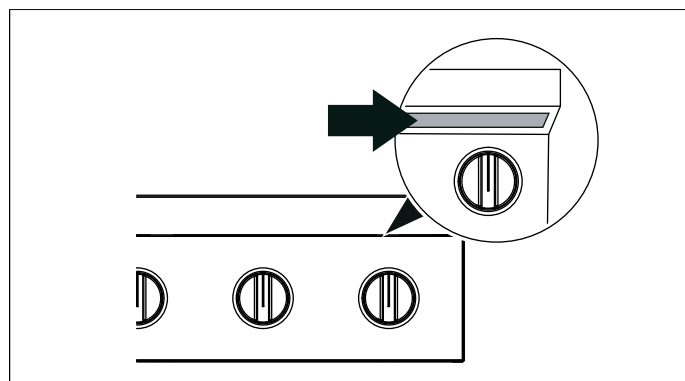
Pour obtenir un service sous garantie pour votre produit, contactez le département de service après-vente de Bosch au 1-800-944-2904 pour planifier une réparation.

### Numéro de modèle (E) et numéro FD

Quand vous communiquez avec le service, veuillez avoir à portée de main le numéro de modèle (E) et le numéro FD de l'appareil électroménager.

Vous trouverez ces informations sur la plaque signalétique

- sur la face arrière de l'appareil
- sur le dessous du panneau de contrôle de projection



Questions ? N'hésitez pas à nous contacter. Nous sommes à votre entière disposition.

800-944-2904

[www.bosch-home.ca/fr/](http://www.bosch-home.ca/fr/)

1901 Main Street, Suite 600  
Irvine, CA 92614



# ÉNONCÉ DE LA GARANTIE LIMITÉE

## Couverture de la garantie limitée

La garantie limitée fournie par BSH Home Appliances (« Bosch ») dans cet énoncé de garantie limitée s'applique seulement à l'appareil Bosch qui vous a été vendu (« Produit »), pour autant que le produit ait été acheté :

- Pour une utilisation normale, résidentielle (non commerciale), et qu'en fait, en tout temps, a été utilisé pour un usage domestique normal.
- Neuf au moment de la vente au détail (non en montre, « tel quel » ou un modèle retourné antérieurement), qu'il n'est pas destiné à la revente ni à un usage commercial.
- Aux États-Unis ou au Canada et qu'il est demeuré en tout temps dans le pays où l'appareil a été acheté.

Les garanties aux présentes s'appliquent à l'acheteur original du Produit sous garantie et à tout propriétaire successif du produit acheté pour une utilisation résidentielle habituelle et la durée de la garantie.

Assurez-vous de renvoyer la carte d'enregistrement; bien que cette démarche ne soit pas nécessaire pour que la garantie soit valide, c'est la meilleure façon de permettre à Bosch de vous avertir dans l'éventualité improbable d'un avis de sécurité ou d'un rappel du produit.

## Durée de la garantie

Bosch garantit que le Produit est exempt de défauts matériels et de fabrication, laquelle garantie s'applique pour une période de trois cent soixante-cinq (365) jours à compter de la date d'achat. La période susmentionnée commence à partir de la date d'achat et ne doit pas être retenue, retardée, prolongée, ou interrompue pour une raison quelconque.

Ce Produit est également garanti contre tout défaut de matériau et de fabrication *apparent* (tels les éraflures sur l'acier inoxydable, les défauts d'aspect de la peinture ou de la porcelaine, les ébréchures, les bosselures, ou autres dégâts au fini) du Produit, pendant une période de trente (30) jours à compter de la date d'achat ou de la date de clôture pour une nouvelle construction. Cette garantie relative à *l'apparence* exclut les légères variations de couleur découlant des différences inhérentes aux pièces peintes et en porcelaine, ainsi que découlant des différences causées par l'éclairage de cuisine, l'emplacement du produit ou d'autres facteurs similaires. Cette garantie relative à *l'apparence* exclut plus particulièrement tout appareil électroménager en exposition, de plancher, « En l'état » ou de stock « B ».

## Réparation ou remplacement : votre recours exclusif

Pendant cette période de garantie, Bosch ou l'un de ses centres de réparations autorisés réparera gratuitement votre Produit (sous réserve de certaines restrictions aux présentes) si celui-ci présente des défauts de matériels ou de fabrication. Si des tentatives raisonnables pour réparer le produit sont vaines, alors Bosch remplacera le produit (un modèle supérieur peut être offert, à la seule discrétion de Bosch, moyennant des frais

supplémentaires). Rien dans cette garantie n'exige que les pièces endommagées ou défectueuses soient remplacées par des pièces d'un type ou d'une conception différent de la pièce d'origine. Toutes les pièces ou les composants enlevés demeurent la seule propriété de Bosch. Toute pièce remplacée ou réparée doit être identique à la pièce d'origine aux fins de la présente garantie et la garantie ne sera pas prolongée en regard de telles pièces. La seule responsabilité de Bosch est de faire réparer le produit défectueux uniquement par un centre de réparation autorisé pendant les heures de travail normales. Pour la sécurité et éviter des dommages matériels, Bosch recommande fortement de ne pas réparer le produit soi-même ni de le faire réparer par un centre de réparation non-autorisé; Bosch ne sera pas tenue responsable de réparations ou de travail effectués par un centre de réparation non autorisé. Les centres de réparation autorisés sont les personnes ou les entreprises qui ont été spécialement formées sur les produits Bosch et qui possèdent, selon l'opinion de Bosch, une réputation supérieure pour le service après-vente et la capacité technique (il est à noter qu'elles sont des entités indépendantes et non des agents, partenaires, affiliés ou représentants de Bosch). Nonobstant ce qui suit, Bosch ne sera pas tenue responsable d'aucune façon si le produit est situé dans une région éloignée (supérieure à 100 miles d'un centre de réparation autorisé) ou n'est pas accessible de façon raisonnable, dans un environnement ou un local dangereux, menaçant ou périlleux; dans une telle éventualité, à la demande du consommateur, Bosch pourrait encore payer les frais de main-d'œuvre et de pièces et expédier les pièces au centre de réparation autorisé le plus près, mais le consommateur serait entièrement responsable pour tous les frais de déplacement et autres frais spéciaux encourus par le centre de réparation, en autant qu'il accepte la demande de réparation.

## Produit hors garantie

Bosch n'a aucune obligation, aux termes de la loi ou autrement, d'offrir toute concession, incluant réparation, prorata ou remplacement de produit une fois la garantie expirée.

## Exclusions de garantie

La couverture de garantie décrite dans les présentes exclut tous les défauts ou dommages pour lesquels Bosch serait directement imputable, y compris, sans s'y limiter, l'un ou plusieurs des cas suivants :

- Utilisation du produit autre qu'un usage normal, habituel et de la façon destinée (incluant, sans s'y limiter, toute forme d'utilisation commerciale, d'utilisation ou de rangement d'un produit pour l'intérieur à l'extérieur, d'utilisation du produit de concert avec un transporteur aérien ou marin).
- Mauvaise conduite de toute partie, négligence, mauvaise utilisation, abus, accidents, fonctionnement inadéquat, mauvais entretien, installation inadéquate

ou négligente, altération, manquement d'observer les instructions de fonctionnement, mauvaise manipulation, service non autorisé (incluant réparation par le consommateur ou exploration du fonctionnement interne du produit).

- Réglage, modification ou altération de tout type.
- Non conformité aux normes fédérales, provinciales, municipales ou électriques en vigueur au pays, aux codes de plomberie ou du bâtiment, aux réglementations ou aux lois, incluant le non respect d'installer le produit en stricte conformité avec les codes et les réglementations du bâtiment et d'incendie locaux.
- Bris et usure normaux, déversements d'aliments ou de liquides, accumulations de graisse ou d'autres substances dans, sur ou autour du Produit.
- Toute force ou tout facteur externe, élémentaire et / ou environnemental, incluant sans limitation, la pluie, le vent, le sable, les inondations, les incendies, les coulées de boue, le gel, l'humidité excessive ou l'exposition prolongée à l'humidité, la foudre, les surtensions, les problèmes de structure autour de l'appareil et les désastres naturels.
- Demandes de service visant à corriger l'installation de votre Produit, à obtenir des conseils à propos de son utilisation, à remplacer les fusibles de votre maison ou à réparer l'installation électrique ou la plomberie de votre foyer.

En aucun cas, Bosch ne sera tenue responsable de dommages survenus à la propriété environnantes, incluant les armoires, les planchers, les plafonds et les autres objets ou structures situés autour du produit. Également exclus de la garantie sont les Produits dont les numéros de série ont été modifiés, effacés ou enlevés; les demandes de réparations pour enseigner le fonctionnement du Produit ou les visites où il n'y a aucun problème avec le produit; la correction de problèmes d'installation (le consommateur est seul responsable pour toute structure et tout réglage du Produit, incluant l'électricité, la plomberie et les autres raccordements nécessaires, pour une fondation / plancher approprié[e], et pour toute modification incluant, sans limitation, armoires, murs, planchers, tablettes, etc.) et le réenclenchement de disjoncteurs ou le remplacement de fusibles.

DANS LA MESURE AUTORISÉE PAR LOI, LA PRÉSENTE GARANTIE PRÉCISE LES RECOURS EXCLUSIFS DONT VOUS DISEPOSEZ À L'ÉGARD DU PRODUIT, QUE LA DEMANDE SOIT FONDÉE SUR UN CONTRAT OU DÉLIT (Y COMPRIS RESPONSABILITÉ ABSOLUE OU NÉGLIGENCE) OU AUTRE. LA PRÉSENTE GARANTIE REMPLACE TOUTES LES AUTRES GARANTIES, EXPRESSES OU IMPLICITES. TOUTES GARANTIES IMPLICITES AUX TERMES DE LA LOI, QUE SE SOIT LES GARANTIES DE QUALITÉ MARCHANDE OU D'APTITUDE À UN USAGE PARTICULIER, OU AUTRES, SONT LIMITÉES DANS LE TEMPS À LA DURÉE DE CETTE GARANTIE LIMITÉE EXPRESSE. LE FABRICANT NE SERA EN AUCUN CAS RESPONSABLE DE DOMMAGES CONSÉCUTIFS, SPÉCIAUX, ACCESSOIRES, INDIRECTS OU DE « PERTES COMMERCIALES » ET / OU DE DOMMAGES PUNITIFS, DE PERTES OU DE DÉPENSES, Y COMPRIS SANS S'Y

LIMITER, ABSENCE DU TRAVAIL, FRAIS D'HÔTEL ET / OU FRAIS DE RESTAURANT, FRAIS DE REMANIEMENT EN EXCÉDENT DES DOMMAGES DIRECTS QUI SONT DÉFINITIVEMENT CAUSÉS EXCLUSIVEMENT PAR BOSCH, OU AUTREMENT. CERTAINS ÉTATS N'AUTORISENT PAS L'EXCLUSION OU LA LIMITATION DE DOMMAGES ACCESSOIRES OU CONSÉCUTIFS, ET CERTAINS ÉTATS N'AUTORISENT PAS LA LIMITATION DE LA DURÉE DES GARANTIES IMPLICITES. PAR CONSÉQUENT, LES EXCLUSIONS OU LES LIMITES SUSMENTIONNÉES POURRAIENT NE PAS VOUS CONCERNER. LA PRÉSENTE GARANTIE VOUS DONNE DES DROITS PRÉCIS RECONNUS PAR LA LOI ET VOUS POUVEZ ÉGALEMENT AVOIR D'AUTRES DROITS QUI VARIENT D'UN ÉTAT À L'AUTRE.

Aucune tentative de modifier, changer ou amender la présente garantie ne peut être valide sans le consentement écrit autorisé par un dirigeant de BSH.

### **Comment obtenir une réparation sous garantie :**

Pour obtenir une réparation sous garantie pour votre produit, communiquez avec le département de service après-vente de Bosch : Appelez 1-800 944-2904 pour planifier une réparation.



**9001485944**

001113



**BOSCH**

Invented for life

1901 Main Street, Suite 600 • Irvine, CA 92614 • 800-944-2904  
[www.bosch-home.com](http://www.bosch-home.com) • © 2020 BSH Home Appliances