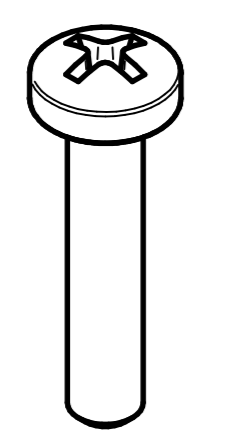
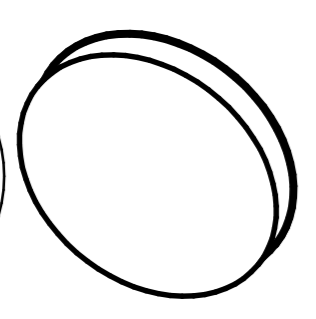
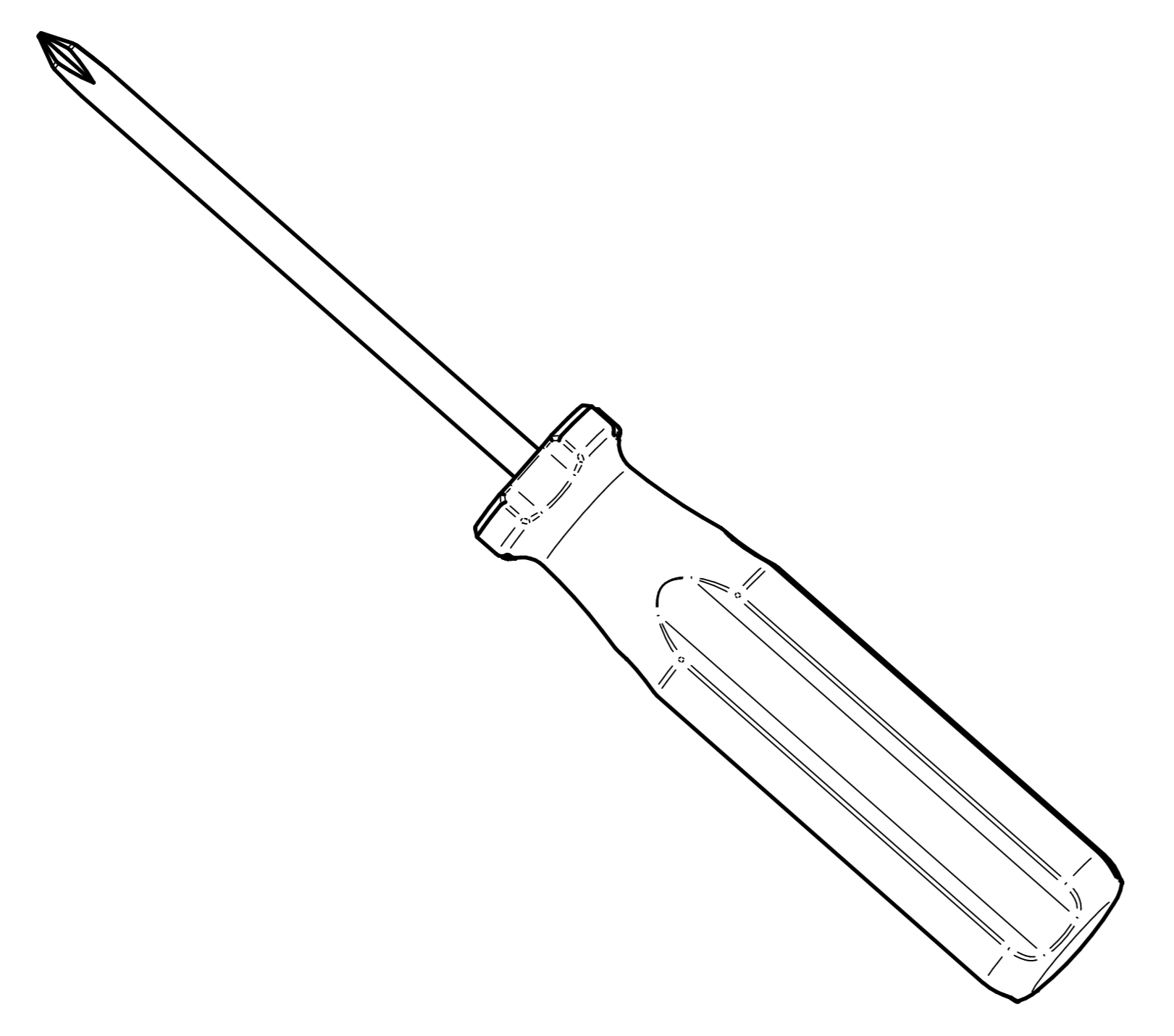
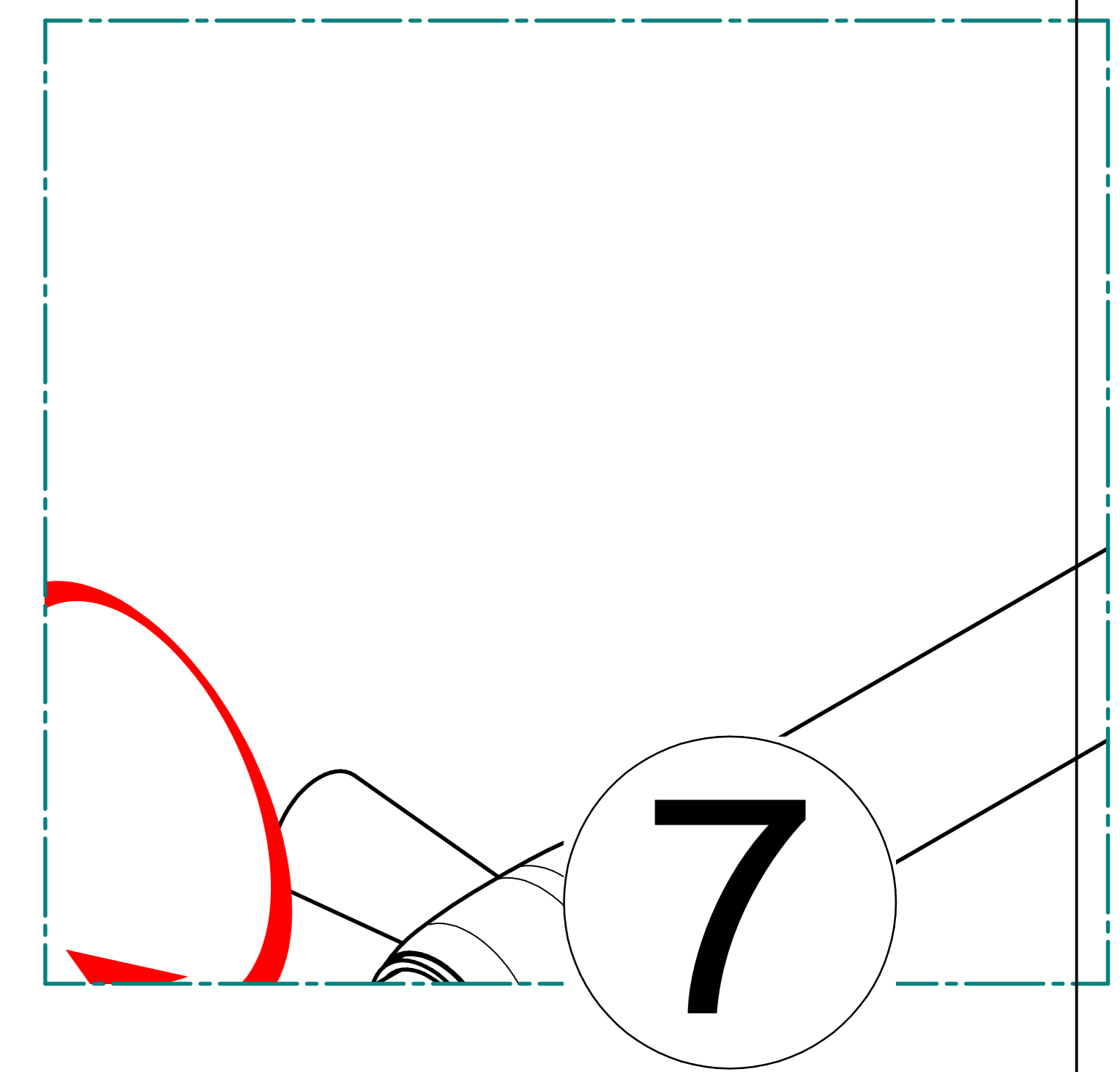
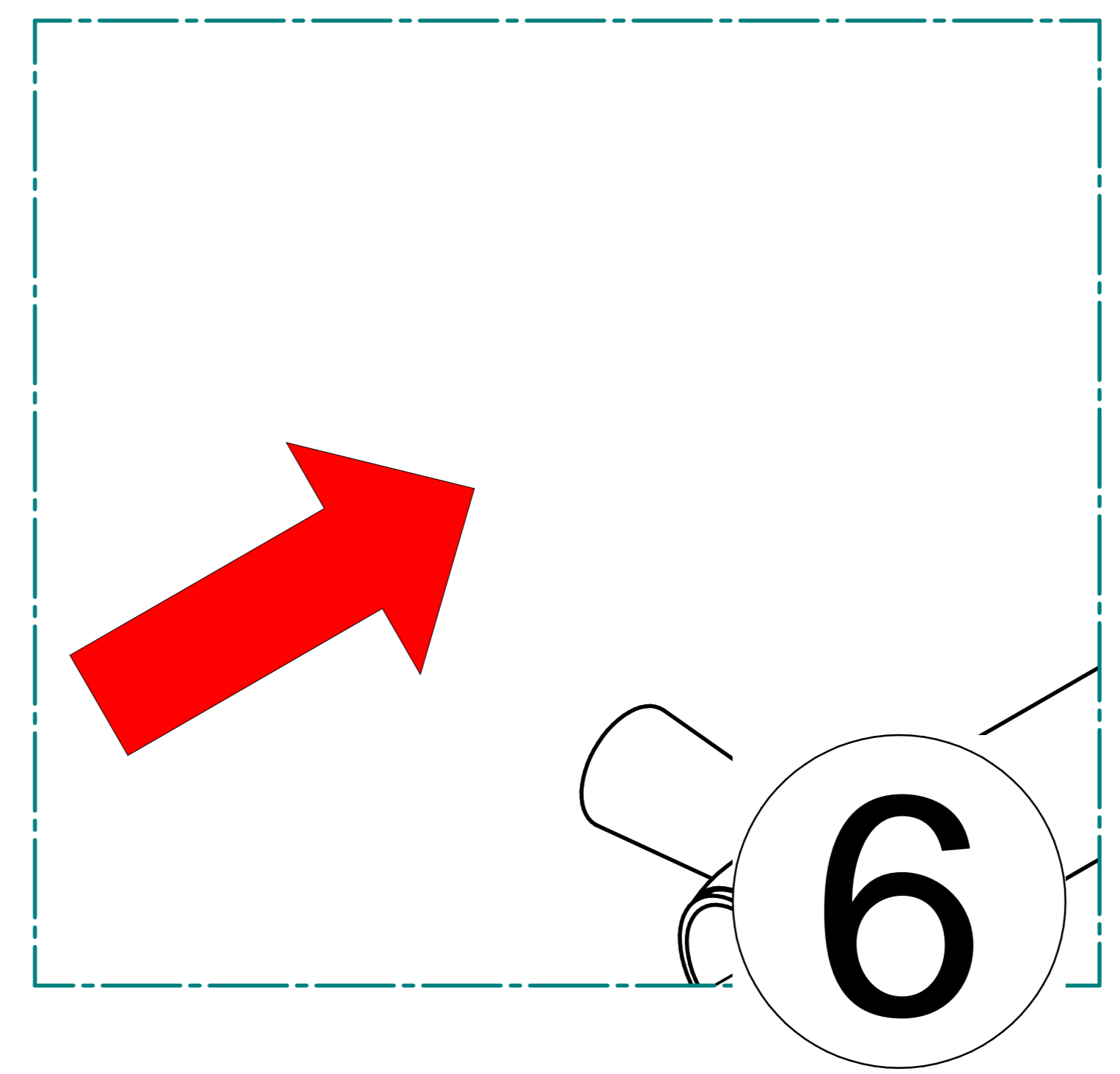
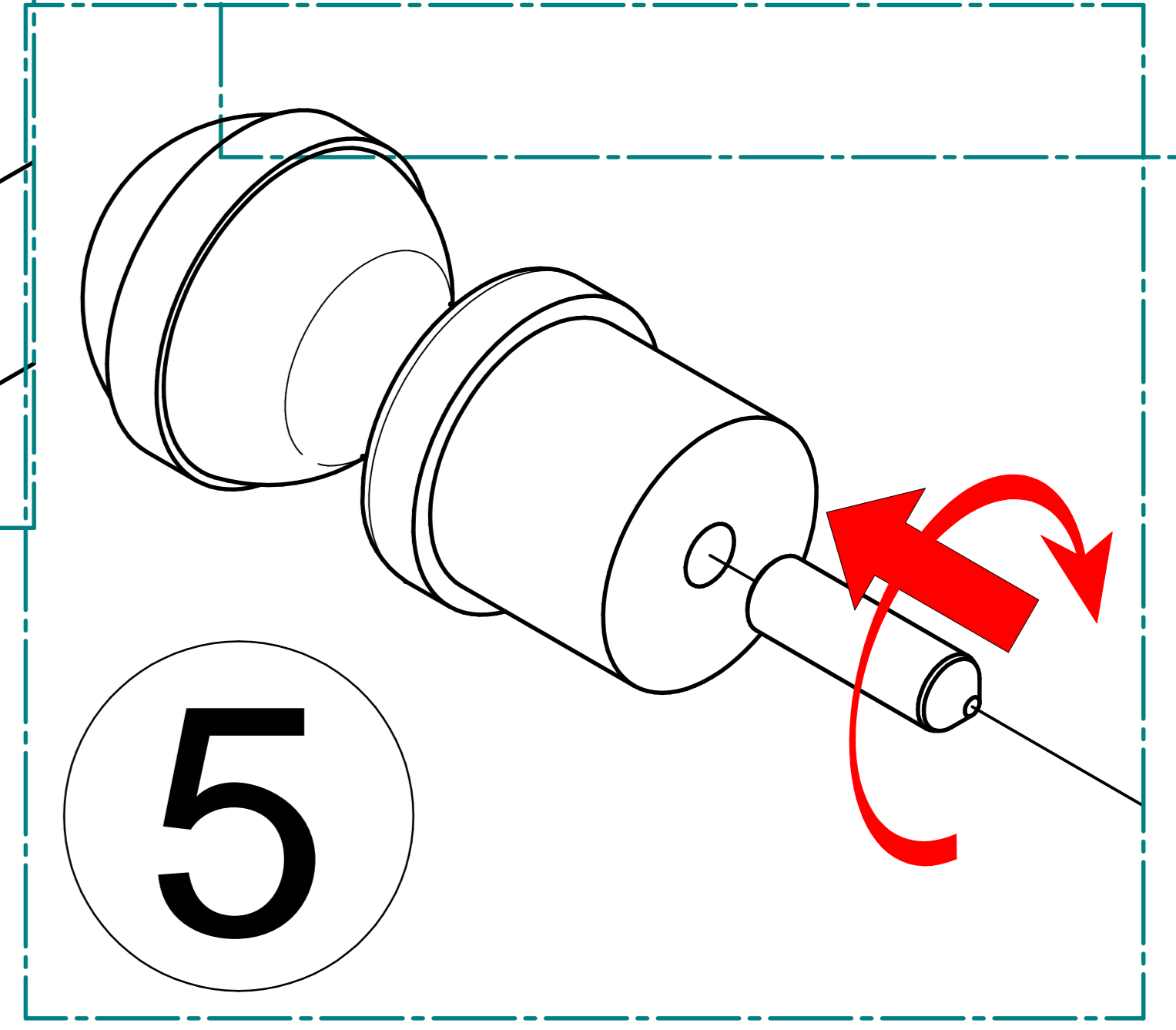
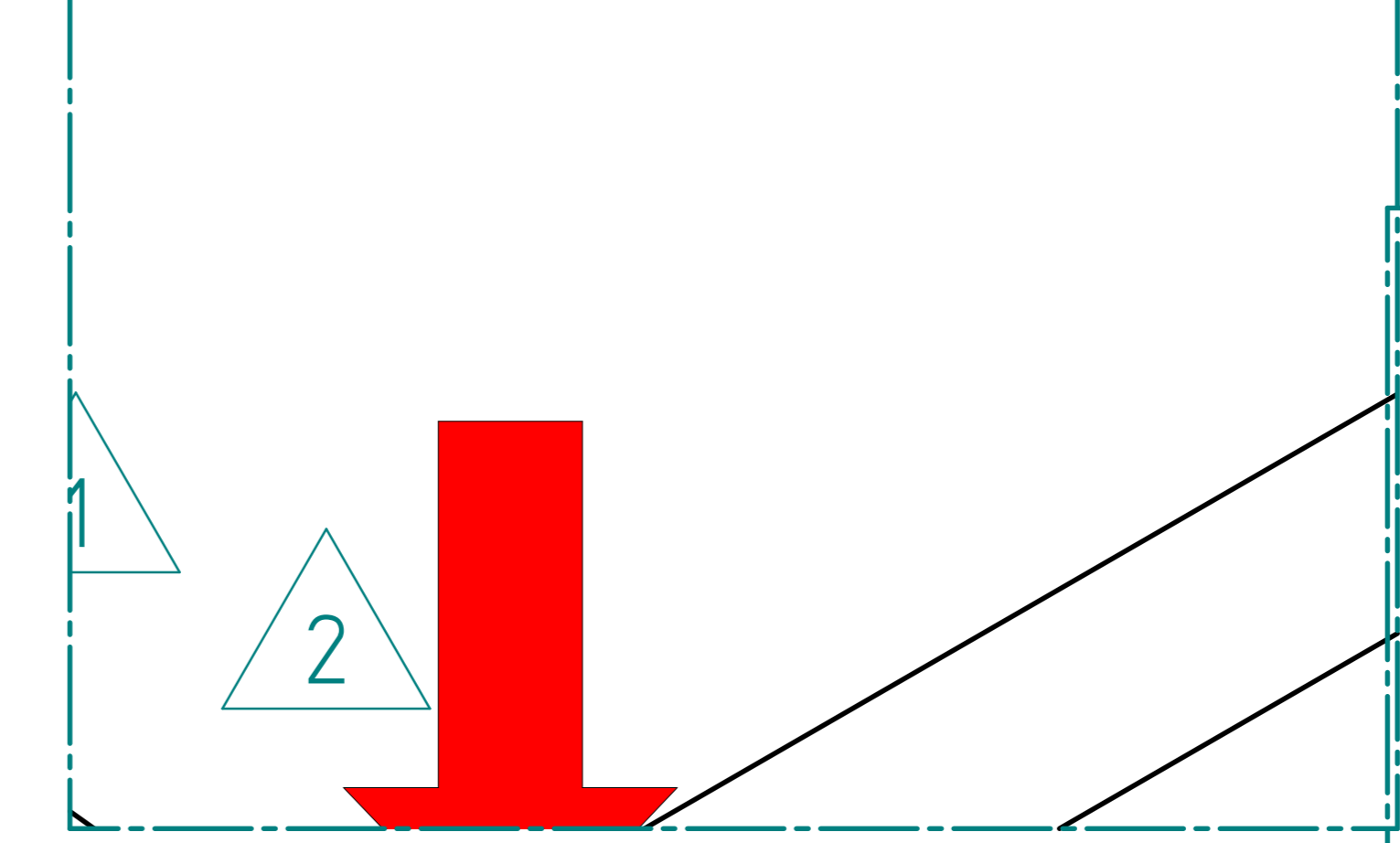
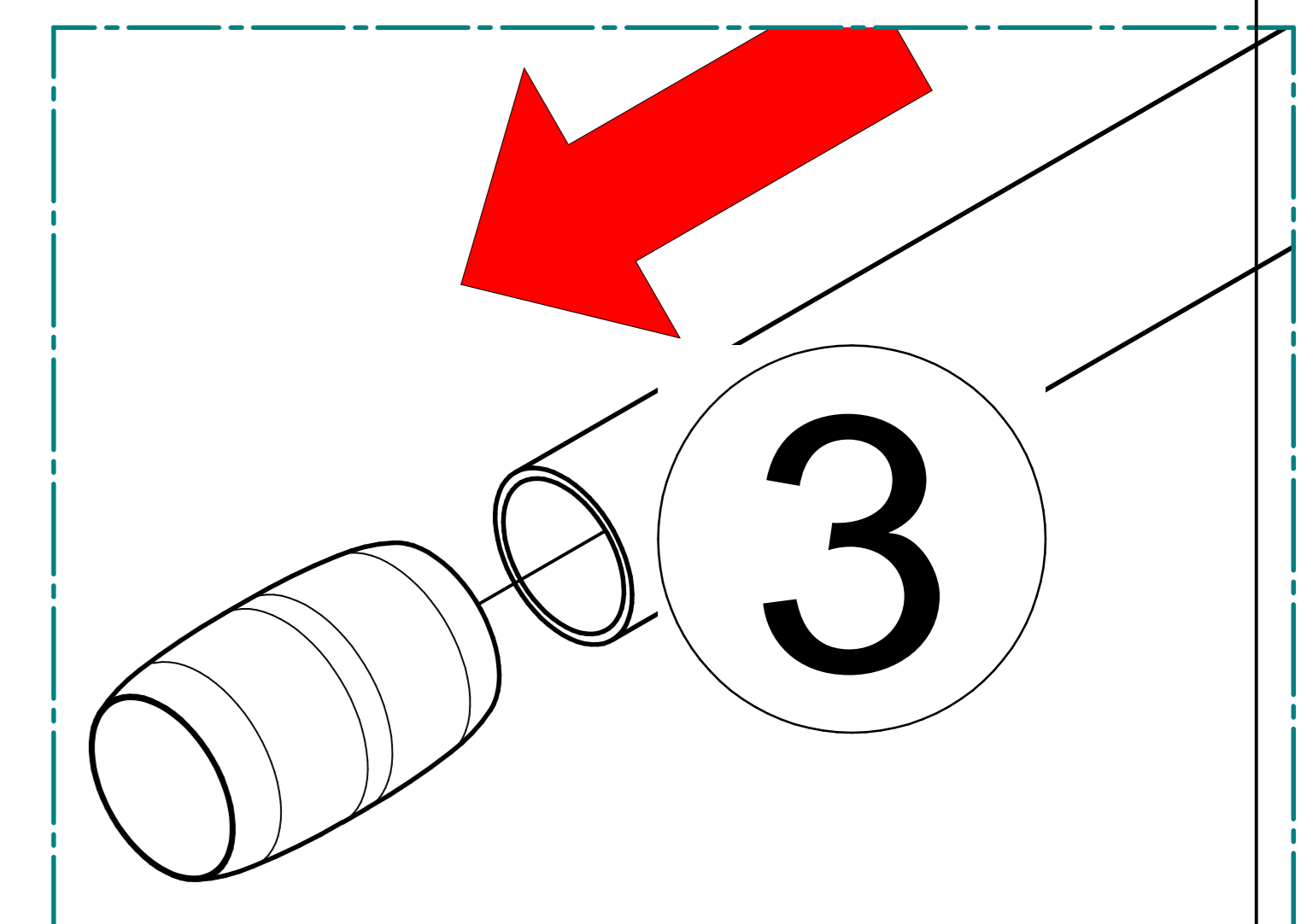
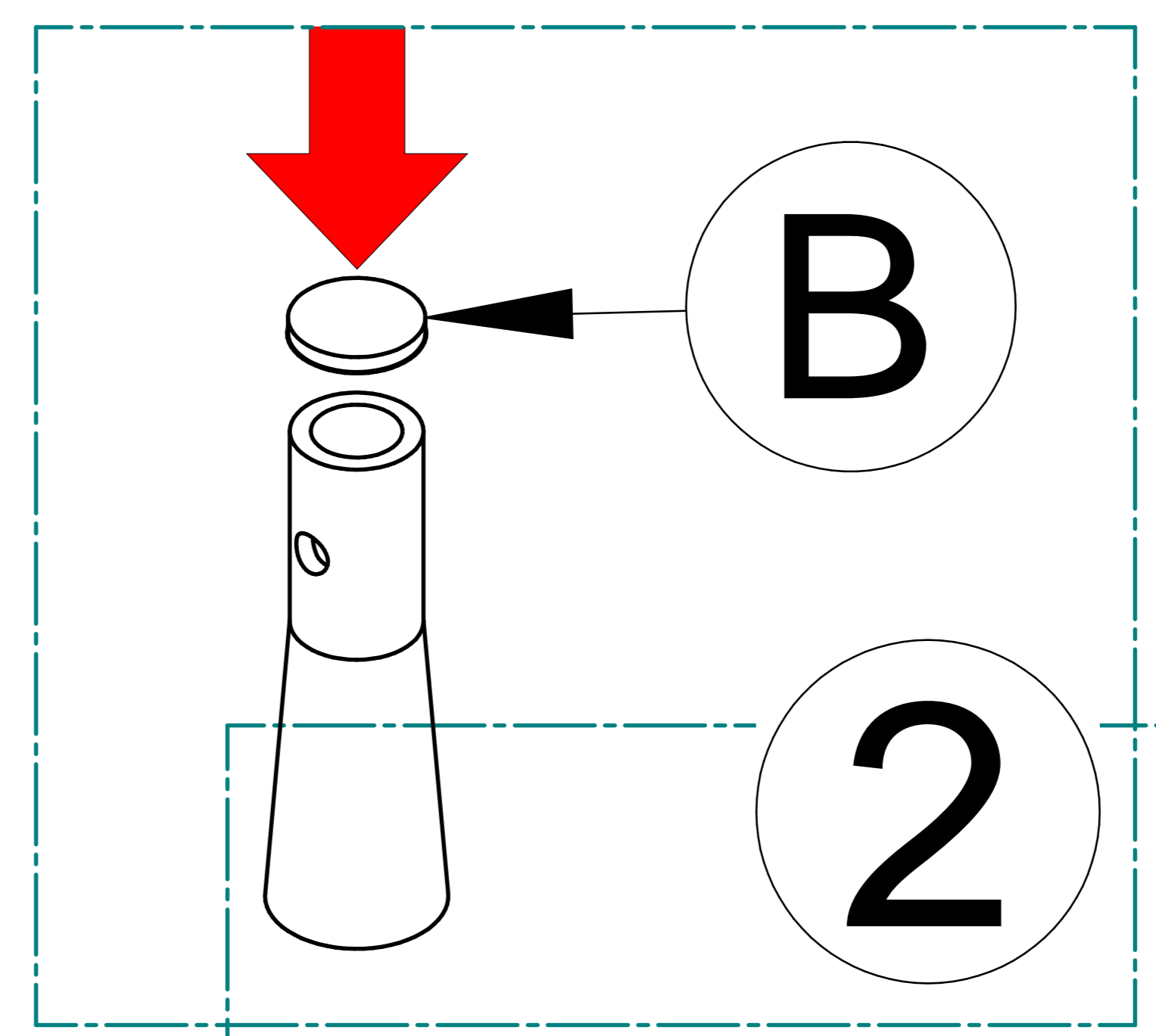
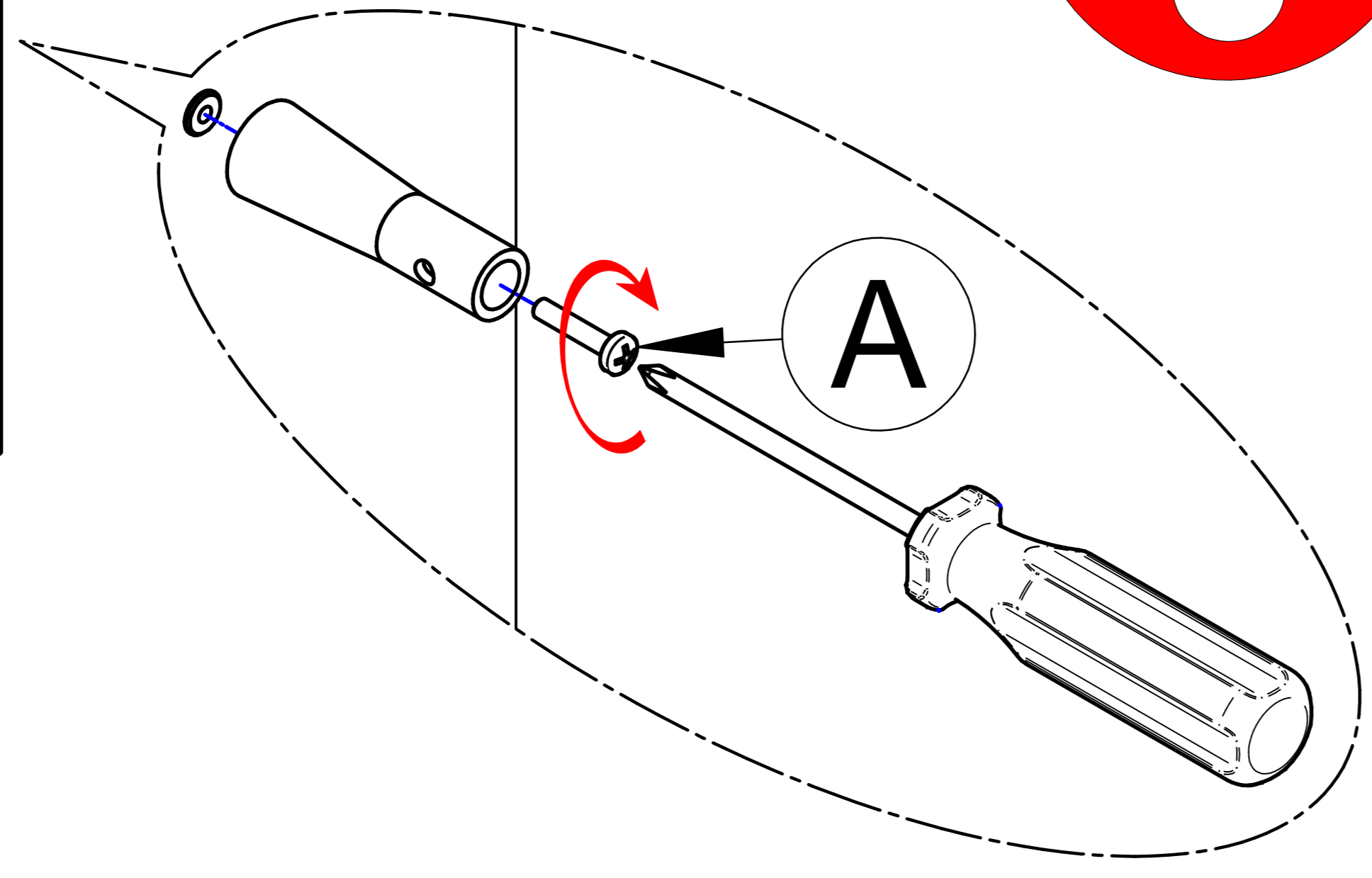
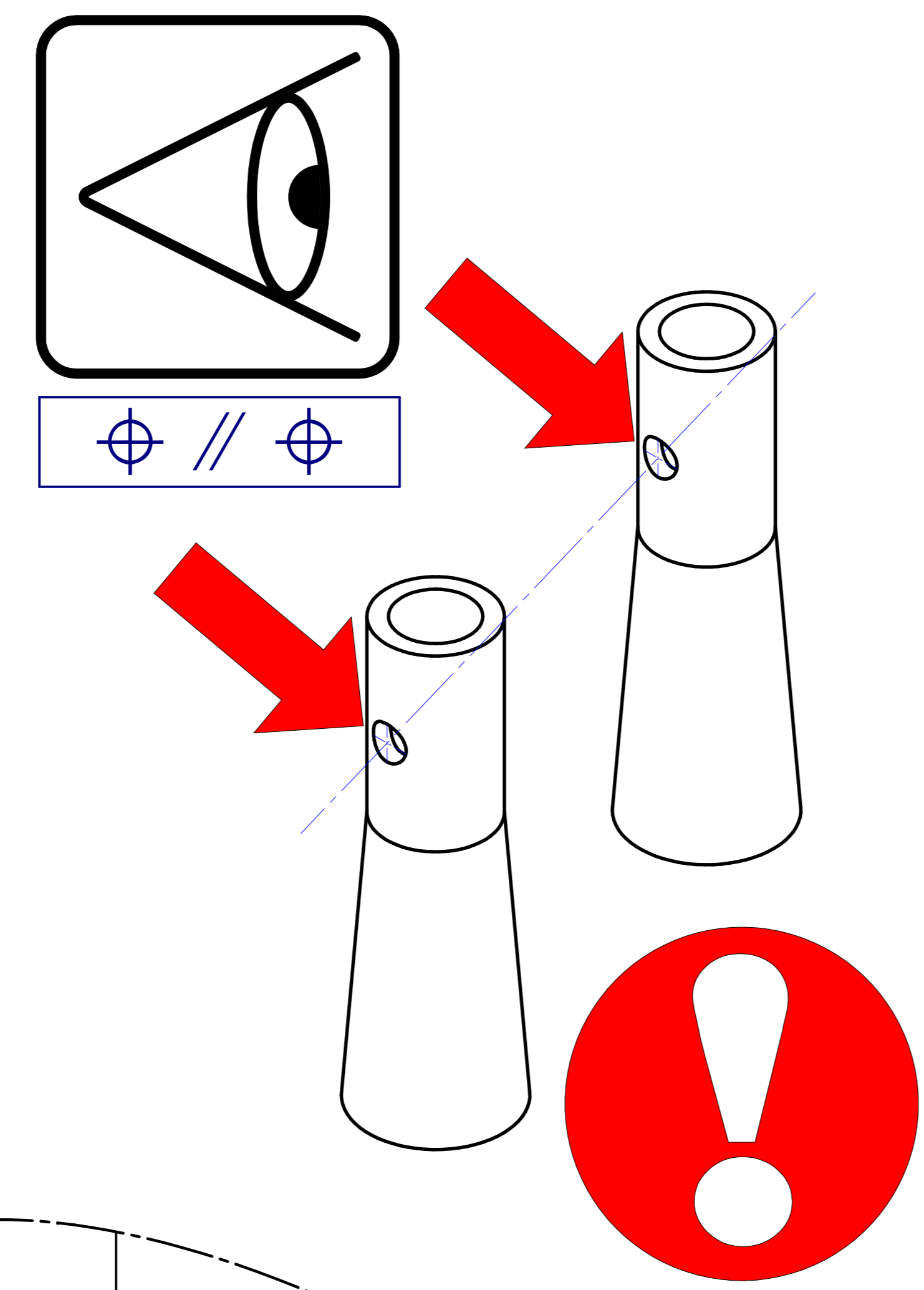
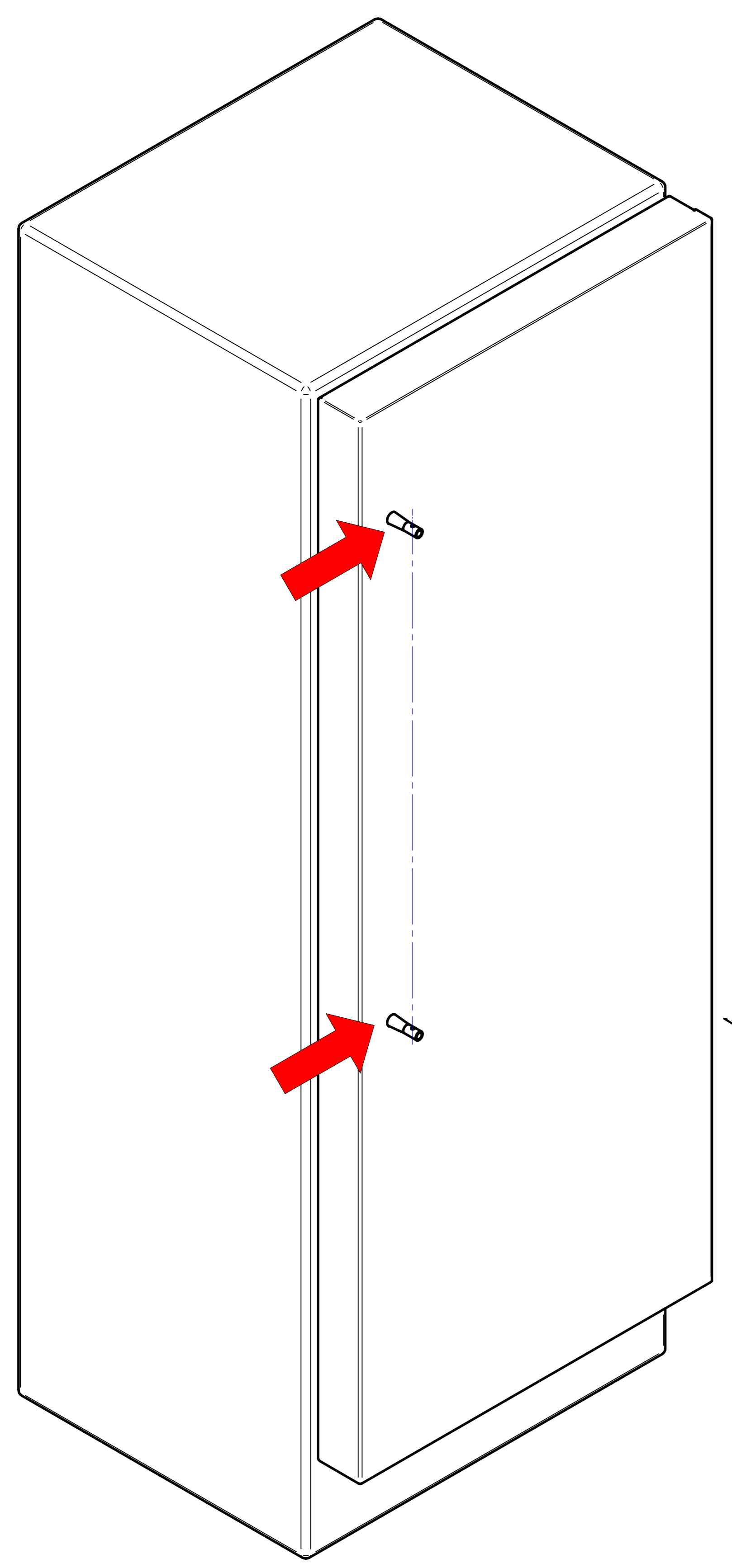


- A**  x 4
- B**  x 4



**1**



**HANDLE INSTALLATION ON CUSTOM CABINETS**

In case a custom cabinet panel is to be mounted on any of the models listed below with Bertazzoni handles, it will be necessary to install brass tapping inserts in order to secure the handle properly on the custom panel.

**SUGGESTED HANDLE INSERT FOR PANELS - M5 x 0.8 MM BRASS TAPPING INSERTS**

Recommended drill bit size to drill the pilot hole is 3/8"  
 Suitable inserts can be ordered at [www.encompassparts.com](http://www.encompassparts.com)  
 Part Number: 95631A100, contains n°4 M5 brass hardwood inserts and 1 M5 installation bit  
 Do not use a power tool to mount the inserts. Installation of the inserts with improperly calibrated power tools risk damaging the panels.