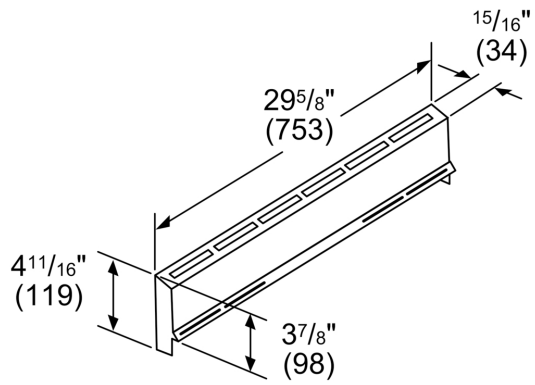

**Back panel
HDZBS301**

Product group: Accessory
Brand: Bosch
Product name / series name:
SKU: HDZBS301
Internal article number: 00000000011007519
EAN code: 4242002875347
Product Packaging Dimensions (HxWxD): 4.52 x 8.34 x 33.54
Net Weight: 4.000 lbs
Gross Weight: 4.000 lbs
Quantity per packing unit:
Standard number of units per pallet:
UPC code: 825225919063



**Back panel
HDZBS301**



measurements in inches and (mm)