

# 36" Pyramid Canopy Chimney Hood

500 Series – Stainless Steel HCP56652UC



**BOSCH**  
Invented for life



**HCP56652UC**  
Stainless Steel

Wall mounted chimney hoods add style and sophistication to the kitchen and gives you greater freedom in your kitchen planning.

## Features & Benefits

Remotely monitor and control your chimney hood with the Home Connect® app.

Touch controls with LCD display.

600 CFM centrifugal integrated blower included.

Four speed touch controls with LCD display.

Washable Stainless Steel Filters with Latch

Converts to recirculation mode with accessory kit (separate purchase required).

## General Properties

|                               |                                     |
|-------------------------------|-------------------------------------|
| Operating mode                | Convertible: ducted / recirculating |
| Maximum CFM (blower)          | 600 CFM                             |
| Number of speed settings      | 4-stage                             |
| Motor location                | Integrated motor in hood chimney    |
| Number of lights              | 2                                   |
| Bulb type                     | LED                                 |
| Light lumens                  | 100-150                             |
| Light color                   | 3500-4000 K                         |
| Total power of the lamps      | 3 W                                 |
| Damper included               | Yes                                 |
| Grease filter material        | Washable Stainless Steel            |
| Grease filter type            | Multilayer cassette                 |
| Home Connect® (Wi-Fi Enabled) | Yes                                 |

## Technical Details

|           |         |
|-----------|---------|
| Watts     | 358 W   |
| Volts     | 120 V   |
| Frequency | 60 Hz   |
| Plug type | No plug |

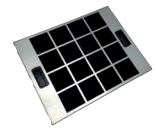
## Dimensions & Weight

|   |   |
|---|---|
| Overall appliance dimensions (width of canopy included) (HxWxD) | 25" – 39 1/2" / 29" – 43 1/2" x 36" x 19 11/16" |
| Height of the chimney   | 19 9/16" – 33 7/8" / 23 1/4" – 42 9/16"         |
| Minimum distance above cooktop / range cooking surface          | Min. 30" electric / Min. 30" gas                |
| Diameter of air duct top  | 8"  |
| Net weight  | 53 lbs  |

## Accessories – Optional



**HCPEXT5UC**  
Chimney extension for 9–11.5 ft. ceilings



**HCIFILTUC**  
Filter kit



**HCREC5UC**  
Recirculation kit



**Accessories:** To purchase Bosch accessories, cleaners & parts please visit [www.bosch-home.com/us/store](http://www.bosch-home.com/us/store) or call 1-800-944-2904 (Mon to Fri 5 am to 6 pm PST, Sat 6 am to 3 pm PST).

**Notes:** All height, width and depth dimensions are shown in inches. BSH reserves the absolute and unrestricted right to change product materials and specifications, at any time, without notice. Consult the product's installation instructions for final dimensional data and other details prior to making cutout.

**Warranties:** Please see Use & Care manual or Bosch website for statement of limited warranty.

**For more information on our entire line of products, go to [www.bosch-home.com/us](http://www.bosch-home.com/us) or call 1-800-944-2904**

© BSH Home Appliances Corporation. All rights reserved. Bosch is a registered trademark of Robert Bosch GmbH.

# 36" Pyramid Canopy Chimney Hood

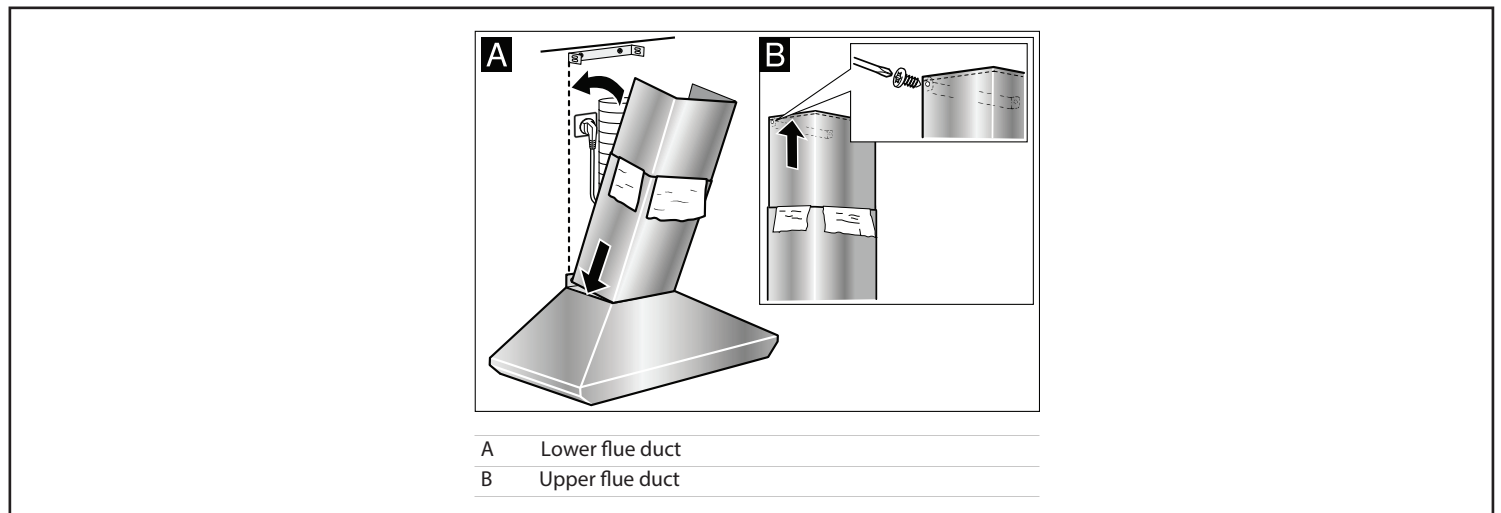
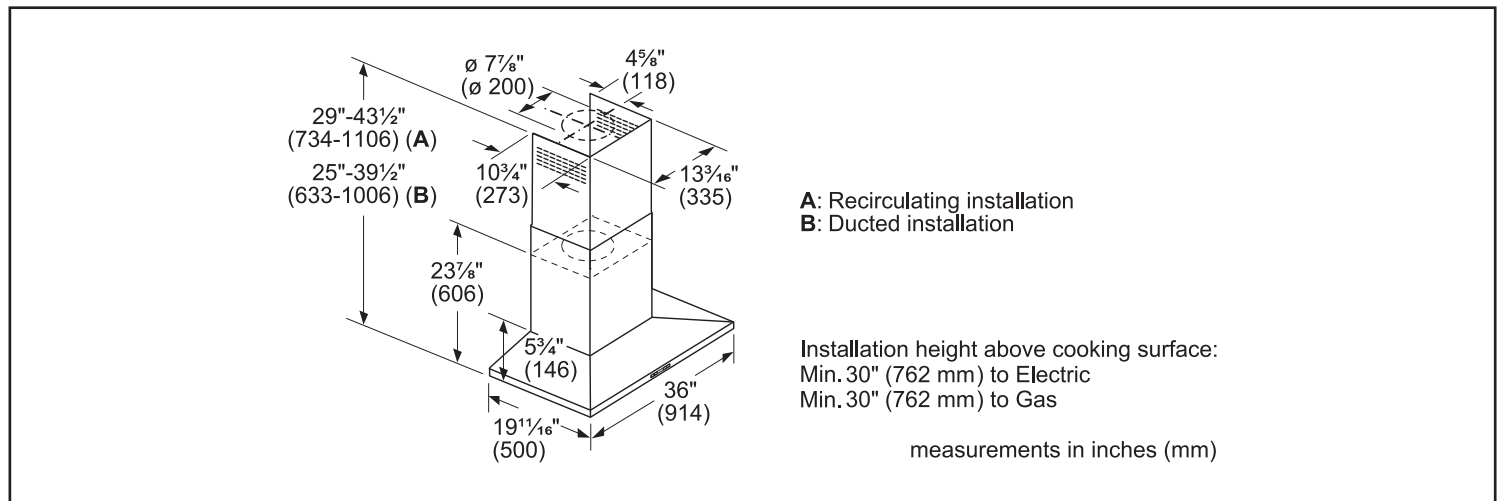
500 Series – Stainless Steel HCP56652UC



## HVI Performance Values

| Exhaust  | Duct Size | Pressure (in. H2O) |               | Power (W)  |               | CFM        |               | Sones      |               |
|----------|-----------|--------------------|---------------|------------|---------------|------------|---------------|------------|---------------|
|          |           | High Speed         | Working Speed | High Speed | Working Speed | High Speed | Working Speed | High Speed | Working Speed |
| Vertical | 8"        | 0.1                | 0.02          | 358        | 184           | 430        | 180           | 8.5        | 2.0           |

## Installation Details



**Accessories:** To purchase Bosch accessories, cleaners & parts please visit [www.bosch-home.com/us/store](http://www.bosch-home.com/us/store) or call 1-800-944-2904 (Mon to Fri 5 am to 6 pm PST, Sat 6 am to 3 pm PST).

**Notes:** All height, width and depth dimensions are shown in inches. BSH reserves the absolute and unrestricted right to change product materials and specifications, at any time, without notice. Consult the product's installation instructions for final dimensional data and other details prior to making cutout.

**Warranties:** Please see Use & Care manual or Bosch website for statement of limited warranty.

**For more information on our entire line of products, go to [www.bosch-home.com/us](http://www.bosch-home.com/us) or call 1-800-944-2904**

© BSH Home Appliances Corporation. All rights reserved. Bosch is a registered trademark of Robert Bosch GmbH.