

Hood

Installation Manual

Models:

HCP50652UC, HCP56652UC



BOSCH

Invented for life



Table of **CONTENTS**

Safety	3
Important Safety Instructions	3
Electrical Connection	5
Before you begin	6
Tools and parts needed	6
Parts included	6
Appliance Dimensions	6
Safety Clearances	7
Ventilator Performance Calculation	8
Installation Procedure	8
Preparing the Installation	9
Connect Electrical Supply	10
Attaching the flue duct	11
Customer Service	12

Safety **DEFINITIONS**

WARNING

This indicates that death or serious injuries may occur as a result of non-observance of this warning.

CAUTION

This indicates that minor or moderate injuries may occur as a result of non-observance of this warning.

NOTICE: This indicates that damage to the appliance or property may occur as a result of non-compliance with this advisory.

This Bosch appliance is made by
BSH Home Appliances Corporation
1901 Main Street, Suite 600
Irvine, CA 92614

Questions?
1-800-735-4328
www.bosch-home.com/us

We look forward to hearing from you!

Safety



IMPORTANT SAFETY INSTRUCTIONS

READ AND SAVE THESE INSTRUCTIONS

INSTALLER: Save these instructions for the local electrical inspector's use. Please leave these instructions with this unit for the owner. Show the owner the location of the circuit breaker or fuse. Mark it for easy reference.

OWNER: Please retain these instructions for future reference.

WARNING

If the information in this manual is not followed exactly, fire or shock may result causing property damage or personal injury.

WARNING



If the information in this manual is not followed exactly, fire or shock may result causing property damage, personal injury or death.

- DO NOT store or use gasoline or other flammable vapors and liquids in the vicinity of this or any other appliance.
- WHAT TO DO IF YOU SMELL GAS
 - DO NOT try to light any appliance.
 - DO NOT touch any electrical switch.
 - DO NOT use any phone in your building.
 - Immediately call your gas supplier from a neighbor's phone. Follow the gas supplier's instructions.
 - If you cannot reach your gas supplier, call the fire department.
- Installation and service must be performed by an authorized servicer, service agency or the gas supplier.

WARNING

Turn off power circuit at service panel and lock out panel before wiring this appliance. Requirement: 120 VAC, 60 Hz 15 A. Allow the appliance to cool after the power has been turned off before servicing the appliance.

WARNING

Automatically Operated Device
To reduce the risk of injury disconnect from power supply before servicing.

WARNING

TO REDUCE THE RISK OF FIRE, ELECTRIC SHOCK, OR INJURY TO PERSONS, OBSERVE THE FOLLOWING:

- Use this unit only in the manner intended by the manufacturer. If you have questions, contact the manufacturer at the address or telephone number listed on the back page.
- Before servicing or cleaning unit, switch power off at service panel and lock the service disconnecting means to prevent power from being switched on accidentally. When the service disconnecting means cannot be locked, securely fasten a prominent warning device, such as a tag, to the service panel.

WARNING

DO NOT repair or replace any part of the appliance unless specifically recommended in the manuals. Improper installation, service or maintenance can cause injury or property damage. Refer to this manual for guidance. All other servicing should be done by an authorized servicer.

WARNING



ELECTRICAL SHOCK HAZARD

- DO NOT remove connections.
- DO NOT use an extension cord.
- Failure to follow these instructions can result in death, fire, or electrical shock.



IMPORTANT SAFETY INSTRUCTIONS

READ AND SAVE THESE INSTRUCTIONS

Grounding Instructions

WARNING

Improper grounding can result in a risk of electric shock.

This appliance must be grounded. In the event of an electrical short circuit, grounding reduces the risk of electric shock by providing an escape wire for the electric current.

Be sure your appliance is properly installed and grounded by a qualified technician. Installation, electrical connections and grounding must comply with all applicable codes.

If required by the National Electrical Code (or Canadian Electrical Code), this appliance must be installed on a separate branch circuit.

WARNING

To reduce the risk of fire or electrical shock, **DO NOT** use this appliance with any solid state speed device.

Safety Codes and Standards

This appliance complies with one or more of the following Standards:

- UL 507, The Standard for the Safety of Electric Fans
- CSA C22.2 No. 113, Fans and Ventilators

It is the responsibility of the owner and the installer to determine if additional requirements and/or standards apply to specific installations.

CAUTION



Unit is heavy and requires at least two people or proper equipment to move and install.

Hidden surfaces may have sharp edges. Use caution when handling the appliance. Failure to do so may result in property damage or personal injury.

Proposition 65 Warnings

This product may contain a chemical known to the State of California, which can cause cancer or reproductive harm. Therefore, the packaging of your product may bear the following label as required by California:

STATE OF CALIFORNIA PROPOSITION 65 WARNING:

WARNING

Cancer and reproductive harm - www.P65Warnings.ca.gov.

Never modify or alter the construction of the appliance. For example, do not remove panels, wire covers or brackets/screws.

CAUTION

For general ventilating use only. **DO NOT** use to exhaust hazardous or explosive materials and vapors.

WARNING

To reduce the risk of fire, use only metal ductwork.

Use a qualified installer.

Remove all tape and packaging before using the appliance. Destroy the packaging after install. Never allow children to play with packaging material.

WARNING

TO REDUCE THE RISK OF FIRE, ELECTRIC SHOCK, OR INJURY TO PERSONS, OBSERVE THE FOLLOWING:

- Installation work and electrical wiring must be done by qualified person(s) in accordance with all applicable codes and standards, including fire-related construction.
- Sufficient air is needed for proper combustion and exhausting of gases through the flue (chimney) of fuel burning equipment to prevent back drafting. Follow the heating equipment manufacturer's guideline and safety standards such as those published by the National Fire Protection Association (NFPA), and the American Society for Heating, Refrigeration and Air Conditioning Engineers (ASHRAE), and the local code authorities.
- When cutting or drilling into wall or ceiling, do not damage electrical wiring and other hidden utilities.
- Ducted fans must always be vented to the outdoors.



IMPORTANT SAFETY INSTRUCTIONS

READ AND SAVE THESE INSTRUCTIONS

WARNING

TO REDUCE THE RISK OF A RANGE TOP GREASE FIRE:

- Never leave surface units unattended at high settings. Boilovers cause smoking and greasy spillovers that may ignite. Heat oils slowly on low or medium settings.
- Always turn hood ON when cooking at high heat or when cooking flambéing food (i.e. Crepes Suzette, Cherries Jubilee, Peppercorn Beef Flambe).
- Clean ventilating fans frequently. Grease should not be allowed to accumulate on fan or filter.
- Use proper pan size. Always use cookware appropriate for the size of the surface element.

WARNING

TO REDUCE THE RISK OF INJURY TO PERSONS IN THE EVENT OF A RANGE TOP GREASE FIRE, OBSERVE THE FOLLOWING:^a

- SMOTHER FLAMES with a close fitting lid, cookie sheet, or metal tray, then turn off the burner. BE CAREFUL TO PREVENT BURNS. If the flames do not go out immediately, EVACUATE AND CALL THE FIRE DEPARTMENT.
- NEVER PICK UP A FLAMING PAN - you may get burned.
- DO NOT USE WATER, including wet dishcloths or towels - a violent steam explosion will result.
- Use an extinguisher ONLY if:
 - a) You know you have a class ABC extinguisher, and you already know how to operate it.
 - b) The fire is small and contained in the area where it started.
 - c) The fire department is being called.
 - d) You can fight the fire with your back to an exit.

^aBased on "Kitchen Fire Safety Tips" published by NFPA.

Electrical Connection

⚠ WARNING

RISK OF ELECTRIC SHOCK

Parts inside the appliance can have sharp edges. The connection cable can be damaged. Do not bend or pinch connection cables during installation.

Before connecting the appliance, check the household electrical supply. Ensure sufficient fuse protection of the household electrical supply. The voltage and frequency of the appliance must match the electrical installation (see rating plate).

The appliance complies with protection class 1 and must only be operated in conjunction with a protective conductor terminal.

An all-pole isolating switch with at least a 3 mm contact gap must be fitted in the installation. This must remain accessible after installation.

Only a qualified electrician who takes the appropriate regulations into account may lay or replace the connecting cable. Follow all standards, regulations and laws. Ensure that the electrical connection meets the requirements of the latest version of all applicable standards, regulations and laws in the appropriate country, especially the following standards:

National Electrical Code, ANSI/

NFPA 70*, or CSA Standards C22.1-94, Canadian

Electrical Code, Part 1 and C22.2 No.0-M91**.

Have a qualified electrical technician check the grounding of the appliance.

Do not ground with a gas line.

No fuse protection in the neutral or grounding circuit.

Keep these installation instructions. Only connect the appliance with a copper conductor. If possible, connect the appliance to a metal cable guide directly to the fuse box.

Ensure that the wire diameter meets the requirements of the latest version of all applicable standards and laws in the appropriate country, especially the following standards: National Electrical Code, ANSI/NFPA 70*, or CSA Standards C22.1-94, Canadian Electrical Code, Part 1 and C22.2 No.0-M91**.

Put a protecting hose that is listed in the U.L. or C.S.A. on both ends of the connecting cable, that is, on the appliance and on the fuse box.

For copies of the standards listed, contact:

* National Fire Protection Association Batterymarch Park Quincy, Massachusetts 02269

** CSA International 8501 East Pleasant Valley Road Cleveland, Ohio 44131-5575

Before you begin

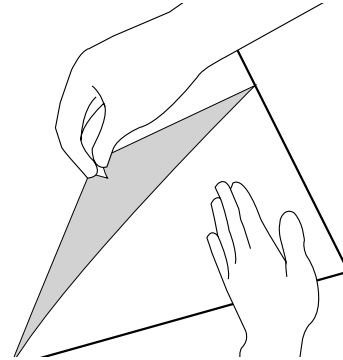
Tools and Parts Needed

- Measuring tape
- Pencil
- Phillips screwdriver (Posidrive) #2
- Drill with the following bits: $\frac{5}{16}$ " (7.9 mm) and $\frac{3}{8}$ " (9.5 mm)
- Spirit-level
- Aluminum tape (DO NOT use insulating tape)
- Exhaust channel (configuration depends on the installation situation)
- Additional sheet metal screws (if necessary for installation of the exhaust air duct)
- Saw
- Home power supply cable
- $\frac{1}{2}$ " (13 mm) UL listed or CSA approved strain relief
- Three UL Listed wire connectors

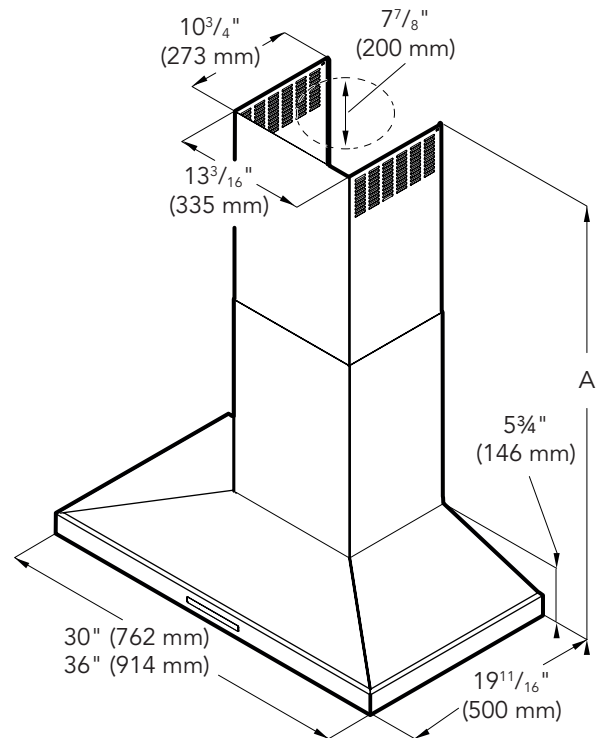
Parts Included

- Extractor hood with fan, back-pressure flap
- Lamps, already installed
- Metal grease filter
- Flue duct
- Drill template
- 1x angle bracket for the flue duct
- Installation manual and instructions for use
- 6x screws, 5x45 mm
- 12x screws, 4.2x8 mm
- 2x washers, 6.4x18 mm
- 2x hollow wall plugs, 8x40 mm
- 4x hollow wall plugs, 10x50 mm
- Torx adapter, 10 & 20

NOTE: Carefully remove the protective film from the duct cover and hood assembly prior to the start of the installation. Use one hand to maintain the assembly/duct cover steady while the other hand removes the protective film. Use gloves at all time.



Appliance Dimensions



- A Only for circulating-air mode:
*Max. $43\frac{1}{2}$ " (1106 mm)
*Min. 29" (734 mm)
Only for ducted operation:
*Max. $39\frac{1}{2}$ " (1006 mm)
*Min. 25" (633 mm)

Safety clearances

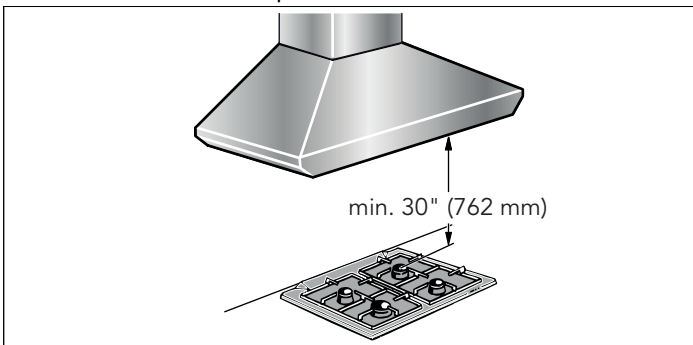
⚠ WARNING

RISK OF FIRE

Grease deposits in the grease filter can catch fire. The given safety clearance must be observed to avoid heat buildup. Observe the specifications for your cooking appliance. If gas and electric cooktops are used together, the largest given clearance applies. The appliance may only be installed directly next to a cabinet or wall on one side. The wall or cabinet clearance must be at least 2" (50 mm).

The clearance between the shelf on the cooktop and the bottom of the extractor hood may not be less than 30" (762 mm) in the case of electric cooktops and gas or combined ranges. If the installation instructions for the gas cooking appliance specify a larger distance, this must be taken into account.

Electrical & Gas cooktop



Fan operation

Note: Ventilation may not exit through an already operational smoke or exhaust chimney, nor a duct used for ventilating furnace installation areas.

- If the ventilation is intended to pass through a smoke or exhaust chimney that is not in operation, the responsible area heating inspector must give approval.
- If the ventilation passes through an external wall, use a telescope wall sleeve.

Ventilation line

Note: The device manufacturer is not responsible for the operation or complaints associated with the pipe section.




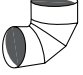
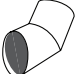
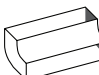

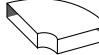
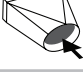

- The ventilation opening and the exhaust air ducts must be made according to the local requirements.
- The device achieves its optimum performance by means of a short, straight exhaust air pipe and as large a pipe diameter as possible.
- As a result of long rough exhaust air pipes, many pipe bends or too-small diameters, the optimum extraction performance is not achieved and fan noise is increased.
- The pipes or hoses for laying the exhaust air line must consist of non-combustible material.
- Smooth the connection area of the pipes before installation.
- Seal the connection points of the pipes appropriately.

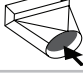
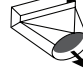
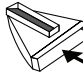
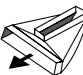


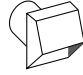

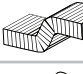

Round pipes

An inner diameter of Ø 8" (200 mm) is recommended. Checking the wall

- The wall must be level, vertical and adequately load bearing.
- The depth of the bore holes must be the same length as the screws. The wall plugs must have a secure grip.
- The enclosed screws and wall plugs are suitable for solid brickwork. Suitable fasteners must be used for other structures.

Ventilator Performance Calculation

Duct Piece	Size (in)	Equivalent Length (ft)
 Smooth, straight	6	1.2
	8	0.7
	10	0.6
 3/4" x 10", straight	N/A	1
 3/4" x 14", straight	N/A	0.7
 90° elbow, round	6	12
	8	6
	10	5
 45° elbow, round	6	5
	8	3
	10	2
 3/4" x 10", 90° elbow, round	N/A	5
 3/4" x 10", 45° elbow, round	N/A	15
 3/4" x 10", Flat elbow	N/A	20
 Round to 3/4" x 10"	6	1
	8	10
 3/4" x 10" to round	6	5
	8	2

Duct Piece	Size (in)	Equivalent Length (ft)
 Round to 3/4" x 10" 90° elbow,	6	10
 3/4" x 10" to round 90° elbow,	6	10
 3/4" x 10" Center reverse elbow, left	N/A	15
 3/4" x 10", Center reverse elbow, right	N/A	25
 3/4" x 10", Left reverse elbow	N/A	15
 3/4" x 10", Right reverse elbow	N/A	25
 Round wall cap	6	2
	8	2
	10	2
 Round roof cap	6	2
	8	2
	10	2
 2' long, 3/4" x 10" flex	N/A	20
 3/4" x 10", Roof jack and shutter	N/A	2

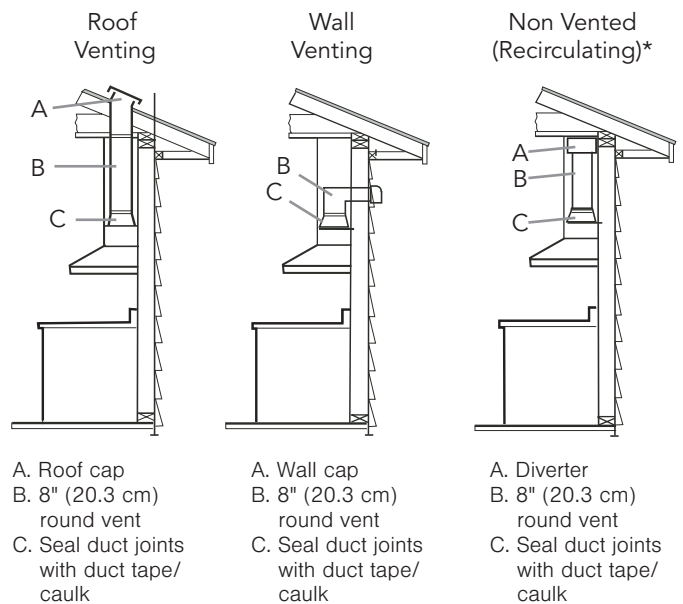
NOTE: These commonly used installation parts can be purchased at a local hardware store. Bosch does not manufacture all these parts.

Installation Procedure

The ducting from this fan to the outside of the building has a strong effect on the air flow, noise and energy use of the fan. Use the shortest, straightest duct routing possible for best performance, and avoid installing the fan with smaller ducts than recommended. Insulation around the ducts can reduce energy loss and inhibit mold growth. Fans installed with existing ducts may not achieve their rated airflow. Ensure duct joints and exterior penetrations are sealed with caulk or other similar material to create an air-tight path and to minimize building heat loss and gain and reduce the potential for condensation. Place/wrap insulation around duct and/or fan to in order to minimize possible condensation buildup within the duct, building heat loss and gain.

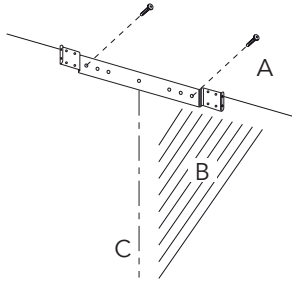
⚠ CAUTION

Ensure that there are no electric wires, gas or water pipes in the area where holes are to be made.



Preparing the installation

1. Mark a vertical center line on the wall from the ceiling to the lower edge of the extractor hood.
2. Align the drill template on the center line and the bottom edge of the extractor hood and glue on.
3. Mark positions for the screws and the contour of the attachment area.
4. Mark holes for the flue's angle brackets. The center of the angle bracket is marked with a hole. Place the angle brackets in the center of the center line, align them horizontally and mark the positions of the holes.



A Ceiling
B Wall
C Centerline

Fitting the wall retainer

1. Drill holes with $\varnothing 5/16''$ (7.9 mm) for the angle bracket.
2. Press in the wall plugs flush with the wall.
3. Screw screws (5x34 mm) into the wall plugs by hand in order to spread the plugs apart.
4. Unscrew screws.
5. Screw on the angle bracket for the flue duct.

Making the ceiling breakthrough

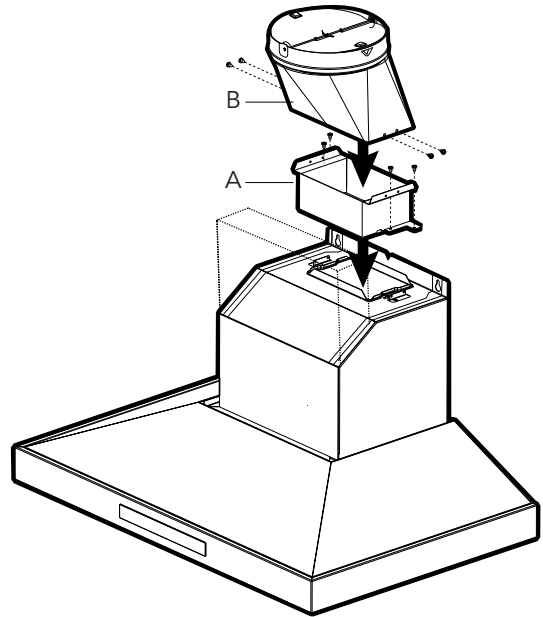
1. Using a spirit level, extend the center line of the drill template to the ceiling.
2. Mark the ceiling breakthrough ($\varnothing 8 1/2''$ (216 mm)) at least $4 5/8''$ (117 mm) away from the wall.

Making the wall breakthrough

1. Using a spirit level, extend the center line of the drill template to the ceiling.
2. Depending on the curved section of the wall breakthrough ($\varnothing 8 1/2''$ (216 mm)) mark at least $26 1/2''$ (660 mm) above the bottom edge of the extractor hood.

Mounting the back-pressure flap

1. Using 4 screws (4.2 x 8 mm), attach the air transition spacer to the hood.
2. Using 4 screws (4.2 x 8 mm), attach the back-pressure flap and the air transition spacer.



A Transition Spacer
B Air Transition

Mounting the extractor hood on the wall

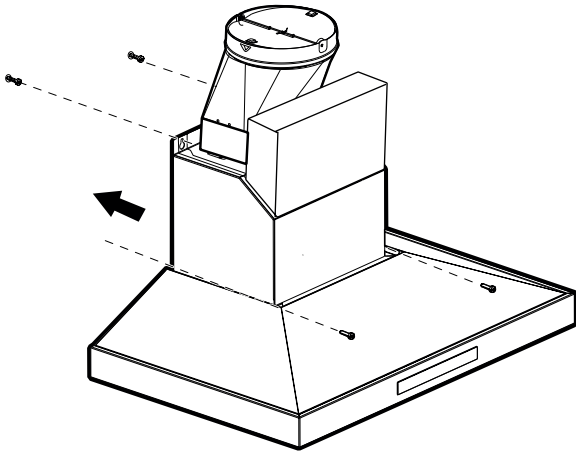
WARNING

RISK OF INJURY

The appliance is heavy. To move the appliance, 2 people are required. Use only suitable tools and equipment.

1. Initially remove the protective foil from the back of the appliance and, following installation, remove foil completely.
2. Mark the upper holes on the wall.
Note: Ensure that the holes are horizontal and aligned centered on the center line.
3. Drill the upper holes. Adhere to a distance of $1/4''$ (6 mm) between the wall and screw head.
4. Remove grease filters.
5. Hang the extractor hood on the upper screws on the wall.
6. Mark holes for the lower holes.
7. Remove the extractor hood from the wall.
8. Drill the lower holes.
9. Hang the extractor hood on the upper screws on the wall.

10. Tighten the upper and lower screws by hand.



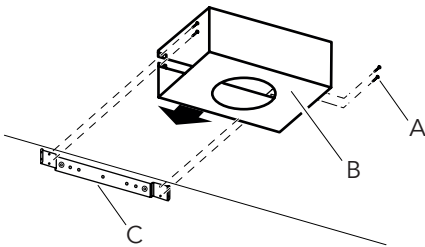
Connecting the air extractor (only for ducted operation)

Note: If an aluminum pipe is used, smooth the connection area beforehand.

1. Attach exhaust air pipe and seal.
2. Check whether the back-pressure flap works.

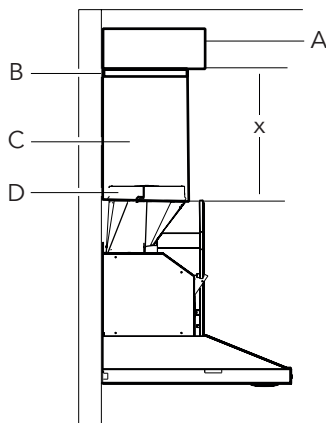
Mounting the recirculation model (only for circulating-air mode)

1. Use 4 screws (4x8 mm) to screw the housing to the angle bracket.



A Screws
B Recirculation module
C Angle bracket

2. Measure the distance (x) between the bottom edge of the housing for the recirculation module and the bottom edge of the back-pressure flap.



A Recirculation module
B Clamps
C Flue duct
D Exhaust air duct

3. Shorten the exhaust air pipe to the length measured.
4. Remove the recirculation module.
5. Push the exhaust air pipe onto the bottom side of the recirculation module.
6. Position the recirculation module with exhaust air pipe over the air extraction duct of the extractor hood.
7. Use 4 screws to fasten the recirculation module to the angle bracket.
8. Secure connections with clamps.

Connect Electrical Supply

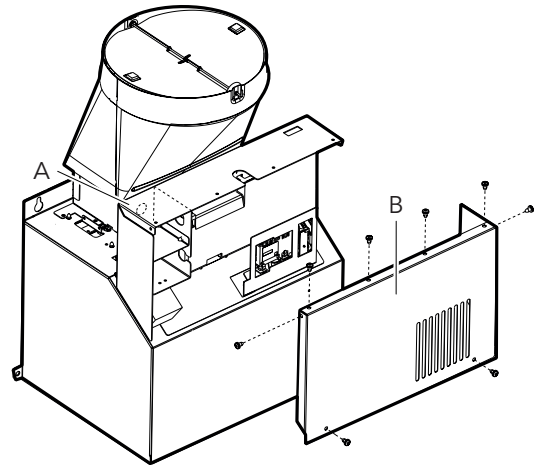
⚠ WARNING

RISK OF ELECTRIC SHOCK

Before wiring the appliance, interrupt the main electrical circuit at the electrical control cabinet. A circuit with 120 VAC, 15 or 20 Ampere is required.

Grounding notes: this appliance is equipped with a distributor box with 3 cables. Use the green-yellow cable for grounding the appliance. Connect the green-yellow cable to the grounding cable on the house connection to prevent electric shock. Do not under any circumstances damage or remove the green-yellow cable. Non-adherence can cause serious injuries or electric shock.

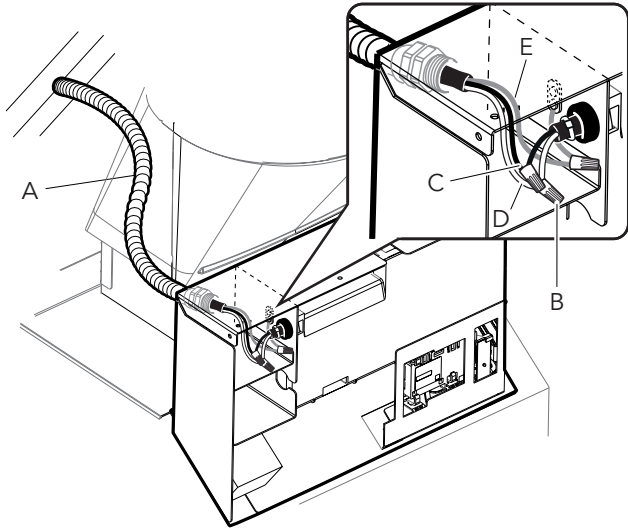
1. Unplug the cable connector located on the top of the junction box.
2. Remove the cable passage and the junction box cover.



A Cable passage
B Cover of the junction box

3. Connect 1/2" (12.7 mm) strain relief to the junction box.
4. Run home power supply cable through strain relief, into terminal box.
5. Use UL listed wire connectors and connect black wires (C) together.
6. Use UL listed wire connectors and connect white wires (D) together.

7. Connect green (or bare) ground wire from home power supply to yellow-green ground wire (E) in terminal box using UL listed wire connectors.



A Installation pipe
 B Cable connector listed in UL
 C Black wires
 D White wires
 E Yellow-green ground wire

8. Tighten strain relief screw.
9. Install the junction box cover.
10. Plug the cable connector located on the top of the junction box.

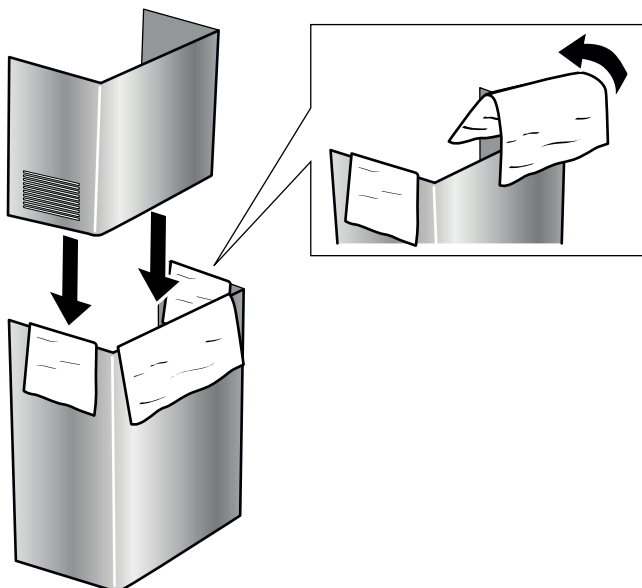
Attaching flue duct

Hidden surfaces may have sharp edges. Use caution when reaching behind or under appliance.

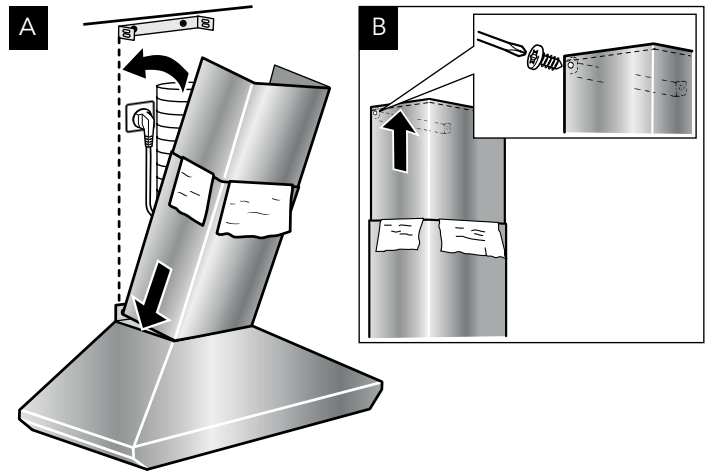
1. Remove the protective foil from both flue ducts.
2. Push one flue duct into the other.

Notes

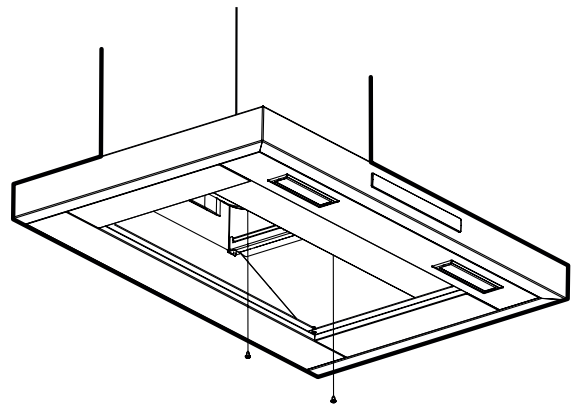
- To prevent scratches, lay paper over the edges of the lower flue duct to protect the surface.
- For ducted operation, turn the upper flue duct so that the ventilation slots point downward.



3. Remove the protective foil from the extractor hood.
4. Place flue ducts on the appliance.
5. Push the inner flue duct upwards and attach it to the angle brackets on the left and right.
6. Screw the flue duct to the sides of the angle bracket using two screws.



7. Fasten the lower part of the flue duct using two screws.



8. Remove the protective paper from the lower flue duct.
9. Install metal-mesh grease filter.

Removing the appliance

1. Remove the metal-mesh grease filter.
2. Loosen the flue duct.
3. Disconnect the appliance from the power supply.
4. Loosen the exhaust air lines.
5. Loosen screws for fastening the appliance.
6. Remove the appliance.

Customer service

Our customer service department is there for you if your appliance requires repair. When calling, please give the Product Number (P-No.) and the Serial Number (S-No.) so that we can offer you the best service. The identification plate listing the numbers can be found inside of the appliance (remove metal grease filter to find it).

So that you don't have to search for them when you need them, you can enter your appliance information and the customer service number here.

Please note that a service visit to provide instruction on the use of the appliance is not covered by the warranty. Please find the contact data of all countries in the enclosed customer service list.

To book service or for product advice

US 800 944 2904
toll-free

P-No.

S-No.

Customer service 

Table des MATIÈRES

Sécurité	14
Consignes de Sécurité Importantes	14
Branchement électrique	17
Avant de commencer	17
Outils et pièces nécessaires	17
Pièces comprises	17
Cotes de l'appareil	18
Distances de sécurité	18
Longueurs équivalentes de conduites pour pièces de transition habituellement utilisée	19
Procédure d'installation	19
Preparing the Installation	20
Connect Electrical Supply	21
Attaching the flue duct	22
Service après-vente	23

Définitions de SÉCURITÉ

AVERTISSEMENT

Ceci indique que le non respect de cet avertissement peut entraîner des blessures graves, voire la mort.

ATTENTION

Ceci indique que le non respect de cet avertissement peut entraîner des blessures légères ou modérées.

AVIS: Ceci indique que la non-conformité à cet avis de sécurité peut entraîner des dégâts à l'appareil ou à la propriété.

Remarque: Ceci vous avertit que d'importantes informations et/ou conseils sont fournis.

Cet appareil électroménager de Bosch
est fait par BSH Home Appliances Ltd
6696 Financial Drive, Unit 3
Mississauga, ON L5N 7J6

Des questions?
1-800-735-4328
www.bosch-home.com/us

Nous attendons de vos nouvelles!

Sécurité



CONSIGNES DE SÉCURITÉ IMPORTANTES

LIRE ET CONSERVER CES CONSIGNES

INSTALLATEUR: Conservez ces consignes à l'intention de l'inspecteur électrique local. Laissez ces consignes avec l'appareil à l'intention du propriétaire. Montrez au propriétaire l'emplacement du disjoncteur ou du fusible du circuit. Identifiez sa position pour pouvoir le retrouver facilement.

PROPRIÉTAIRE: Prière de conserver ces consignes pour pouvoir s'y référer ultérieurement.

AVERTISSEMENT

Si les consignes du présent manuel ne sont pas suivies à la lettre, il y a un risque d'incendie ou d'électrocution pouvant entraîner des dommages matériels ou des blessures.

AVERTISSEMENT



Si les consignes du présent manuel ne sont pas suivies à la lettre, il y a un risque d'incendie ou d'électrocution pouvant entraîner des dommages matériels, des blessures ou la mort.

- NE PAS conserver ou utiliser de l'essence ou d'autres liquides et vapeurs inflammables à proximité de cet appareil électroménager ou de tout autre appareil.
- QUE FAIRE SI VOUS PERCEVEZ UNE ODEUR DE GAZ
 - NE PAS essayer de mettre un appareil électroménager sous tension.
 - NE PAS toucher d'interrupteur de courant électrique.
 - NE PAS utiliser de téléphones dans l'édifice.
 - Communiquer immédiatement avec le fournisseur de gaz depuis l'appareil téléphonique d'un voisin. Respecter les directives du fournisseur de gaz.
 - S'il s'avère impossible de joindre le fournisseur de gaz, communiquer avec les pompiers.
- Utiliser les services d'un technicien en réparation ou d'une agence de réparations autorisés, ou le fournisseur de gaz, pour procéder à l'installation et aux réparations.

AVERTISSEMENT

Couper l'alimentation du circuit électrique au boîtier à fusibles ou des disjoncteurs et le verrouiller avant de câbler cet appareil électroménager. Exigences : 120 V c.a., 60 Hz et 15 A. Après la coupure de l'alimentation électrique, laisser refroidir l'appareil électroménager avant de procéder aux réparations.

AVERTISSEMENT

Dispositif à fonctionnement automatique
Couper l'alimentation électrique avant toute réparation pour réduire le risque de blessure.

AVERTISSEMENT

POUR RÉDUIRE LE RISQUE D'INCENDIE, D'ÉLECTROCUTION OU DE BLESSURES, RESPECTER LES INDICATIONS SUIVANTES:

- Utiliser cet appareil uniquement de la façon prévue par le fabricant. Pour toutes questions, communiquer avec le fabricant à l'adresse de la dernière page ou au numéro de téléphone inscrit.
- Avant de réparer ou de nettoyer l'appareil, couper l'alimentation électrique au dispositif de sectionnement et le verrouiller pour éviter que l'alimentation ne soit rétablie accidentellement. Lorsque le dispositif de sectionnement ne peut pas être verrouillé, fixer un accessoire d'avertissement visible et adéquat, comme une étiquette, au boîtier à fusibles ou des disjoncteurs.

AVERTISSEMENT

NE PAS réparer ou remplacer une pièce de l'appareil électroménager, à moins que les manuels recommandent de le faire.

Une installation, une réparation ou un entretien incorrect(e) peut entraîner des blessures ou des dommages matériels. Consulter le présent manuel pour connaître les directives. Toute autre réparation doit être effectuée par un technicien en réparation autorisé.

AVERTISSEMENT



RISQUE D'ÉLECTROCUTION

- NE PAS enlever les raccords.
- NE PAS utiliser de rallonge.
- Tout manquement à ces directives peut entraîner la mort ou une



CONSIGNES DE SÉCURITÉ IMPORTANTES

LIRE ET CONSERVER CES CONSIGNES

Directives de mise à la terre

AVERTISSEMENT

Une mise à la terre inadéquate peut entraîner un risque d'électrocution.

Cet appareil électroménager doit être mis à la terre. En cas de court-circuit électrique, la mise à la terre réduit le risque d'électrocution en offrant au courant électrique un fil d'évacuation.

Assurez-vous que l'appareil est correctement installé et mis à la terre par un technicien qualifié. L'installation, les raccordements électriques et la mise à la terre doivent être conformes avec tous les codes en vigueur.

S'il y a lieu, conformément au Code national de l'électricité (ou au Code canadien de l'électricité), cet appareil électroménager doit être installé sur un circuit de dérivation distinct

AVERTISSEMENT

NE PAS utiliser cet appareil électroménager avec un dispositif de contrôle de la vitesse semi-conducteur pour

Codes et normes de sécurité

Cet appareil électroménager est conforme à une ou plusieurs des normes suivantes :

- UL 507, Norme en matière de sécurité pour les ventilateurs électriques
- CSA-C22.2 no 113, Ventilateurs

Il incombe au propriétaire et à l'installateur de déterminer si des exigences et/ou normes additionnelles s'appliquent pour des installations spécifiques.

MISE EN GARDE



L'appareil est lourd et son déplacement et installation exigent au moins deux personnes ou encore un équipement approprié. Des surfaces cachées peuvent avoir des rebords tranchants. Faire attention en manipulant l'appareil électroménager. Tout manquement à cette consigne pourrait entraîner des dommages matériels ou des blessures.

Ne jamais modifier ni altérer la structure (fabrication) de l'appareil électroménager. Par exemple, ne pas retirer les panneaux, les couvre-fils, les supports, les équerres de fixation ou les vis.

Avertissement issu de la proposition 65

Ce produit pourrait contenir un produit chimique reconnu par l'État de la Californie comme cancérigène ou ayant des effets nocifs sur la reproduction. Par conséquent, l'emballage de votre produit pourrait porter l'étiquette suivante, comme requis par la Californie:

AVERTISSEMENT ISSUE DE LA PROPOSITION 65 DE L'ÉTAT DE LA CALIFORNIE:

⚠ AVERTISSEMENT

Cancer et dommages à la reproduction –
www.P65Warnings.ca.gov.

MISE EN GARDE

Uniquement aux fins de ventilation générale. **NE PAS** utiliser pour évacuer des matières et des gaz dangereux ou explosifs.

AVERTISSEMENT

Pour réduire le risque d'incendie, utiliser uniquement des systèmes de gaines/conduites en métal.

Utilisez les services d'un installateur qualifié.

Retirez tout le ruban et l'emballage avant d'utiliser l'appareil électroménager. Jetez l'emballage après l'installation. Ne laissez jamais les enfants jouer avec le matériel d'emballage.

AVERTISSEMENT

POUR RÉDUIRE LE RISQUE D'INCENDIE, D'ÉLECTROCUTION OU DE BLESSURES, RESPECTER LES INDICATIONS SUIVANTES :

- Les travaux d'aménagement et de câblage électrique doivent être exécutés par du personnel qualifié en conformité à tous les codes et à toutes les normes de construction en vigueur, incluant ceux concernant les incendies.
- Un apport d'air suffisant est nécessaire pour la bonne combustion et évacuation des gaz par le carneau (cheminée), émanant de tout appareil de combustion afin d'éviter le refoulement de l'air. Respecter les lignes directrices du fabricant des appareils de chauffage et les normes de sécurité comme celles établies par la National Fire Protection Association (NFPA), la American Society for Heating, Refrigeration and Air Conditioning Engineers (ASHRAE) et les c des des autorités locales.



CONSIGNES DE SÉCURITÉ IMPORTANTES

LIRE ET CONSERVER CES CONSIGNES

- En coupant ou perçant un mur ou un plafond pour l'installation de l'appareil, s'assurer de ne pas endommager le câblage électrique et les autres services publics masqués.
- Les ventilateurs raccordés à une conduite doivent toujours évacuer l'air vers l'extérieur.

AVERTISSEMENT

POUR RÉDUIRE LE RISQUE D'INCENDIE DE GRAISSE DE CUISINIÈRE:

- Ne jamais laisser la surface de cuisson sans surveillance à feu vif.
Les débordements causent de la fumée et les résidus graisseux peuvent s'enflammer. Faire chauffer lentement les huiles à feu doux ou moyen.
- Toujours faire FONCTIONNER la hotte lorsque vous cuisinez à feu vif pour flamber certains plats (c.-à-d., crêpes Suzette, cerises Jubilé, steak au poivre flambé).
- Nettoyer régulièrement les ventilateurs. Ne pas laisser la graisse s'accumuler sur le ventilateur ou le filtre.
- Utiliser des casseroles de taille appropriée. Toujours utiliser des ustensiles de cuisine adaptés à la taille de l'élément de cuisson.

AVERTISSEMENT

POUR RÉDUIRE LE RISQUE DE BLESSURES EN CAS D'INCENDIE DE GRAISSE DE CUISINIÈRE, RESPECTER LES CONSIGNES SUIVANTES:^a

- ÉTOUFFER LES FLAMMES avec un gros couvercle bien ajusté, une plaque à biscuits ou un plateau de métal puis fermer le brûleur. ÊTRE PRUDENT, ÉVITER LES BRÛLURES. Si les flammes ne s'éteignent pas immédiatement, ÉVACUER LES LIEUX ET APPELER LES POMPIERS.
- NE JAMAIS SOULEVER UNE POÊLE EN FEU : vous risquez d'être brûlé.
- NE PAS UTILISER D'EAU, y compris un torchon à vaisselle ou une serviette mouillée, cela entraînera une explosion violente de vapeur.
- Utiliser un extincteur UNIQUEMENT si:
 - a) Vous savez que vous disposez d'un extincteur de classe ABC et savez déjà comment l'utiliser.
 - b) Le feu est petit et concentré dans la zone où il a commencé.
 - c) Vous avez appelé les pompiers.
 - d) Vous pouvez combattre l'incendie avec une sortie derrière vous.

^aExplications fondées sur « Kitchen Fire Safety Tips » (Conseils de sécurité en cas d'incendie de cuisine) publiées par la NFPA.

Branchement électrique

⚠ AVERTISSEMENT

RISQUE DE CHOC ÉLECTRIQUE

Les pièces se trouvant dans l'appareil peuvent présenter des arêtes vives. Le cordon de branchement peut être endommagé. Ne pas couder ni coincer le cordon de branchement pendant la pose.

Avant de raccorder l'appareil, vérifier l'installation domestique. Veiller à ce que la protection de l'installation domestique soit appropriée. La tension et la fréquence de l'appareil doivent correspondre à l'installation électrique (voir la plaque signalétique).

L'appareil répond à la classe de protection I et doit uniquement être utilisé avec une prise de terre.

Un sectionneur omnipolaire avec un interstice d'ouverture de contact d'au moins 3 mm doit être présent dans l'installation. Celui-ci doit encore être accessible après l'encastrement.

Seul un électricien agréé est habilité à installer ou à remplacer le câble de raccordement, en respectant les prescriptions en vigueur.

Respecter toutes les normes et lois en vigueur.

Veiller à ce que le raccordement électrique réponde aux exigences de toutes les normes et lois applicables dans le pays correspondant et aux spécifications des éditions les plus récentes des normes suivantes : National Electrical Code, ANSI/NFPA 70*, ou normes CSA C22.1-94, Code canadien de l'électricité, partie 1 et C22.2 No.0-M91**.

Faire contrôler par un électricien le raccordement à la terre de l'appareil.

Ne pas mettre à la terre avec une canalisation de gaz. S'assurer de ne pas avoir de fusible dans le circuit électrique neutre ou de mise à la terre.

Conserver la notice de montage. Raccorder l'appareil uniquement avec un câblage de cuivre. Raccorder l'appareil si possible avec un guide de câble métallique directement au boîtier à fusibles.

Le diamètre du fil doit répondre aux exigences de toutes les normes et lois applicables dans le pays correspondant et aux spécifications des éditions les plus récentes des normes suivantes : National Electrical Code ANSI/NFPA 70*, ou normes CSA C22.1-94, Code canadien de l'électricité, partie 1 et C22.2 No. 0-M91**.

Fixer une gaine de protection figurant dans la liste U.L. ou C.S.A. aux deux extrémités du câble de raccordement, à savoir au niveau de l'appareil et au boîtier à fusibles. Vous pouvez obtenir des copies des normes mentionnées auprès de :

* National Fire Protection Association Batterymarch Park Quincy, Massachusetts 02269

** CSA International 8501 East Pleasant Valley Road Cleveland, Ohio 44131-5575.

Avant de commencer

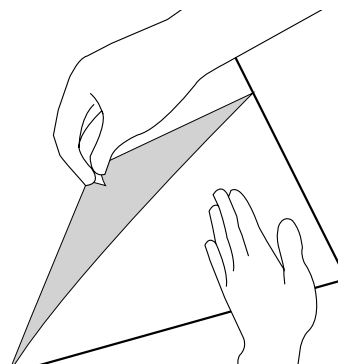
Outils et pièces nécessaires

- Décamètre à ruban
- Crayon
- Tournevis Phillips (Posidrive) #2
- Perceuse avec les forets suivants : 5/16" (7,9 mm) et 3/8" (9,5 mm)
- Niveau à bulle
- Ruban en aluminium (NE PAS utiliser un ruban isolant)
- Canal d'évacuation d'air (la configuration dépend de la situation de montage).
- Vis à tôle supplémentaires (si nécessaires pour l'installation du conduit d'évacuation)
- Scie
- Cordon d'alimentation
- Réducteur de tension de 1/2" (13 mm) répertorié UL ou approuvé par CSA.
- Trois connecteurs de fil listés UL

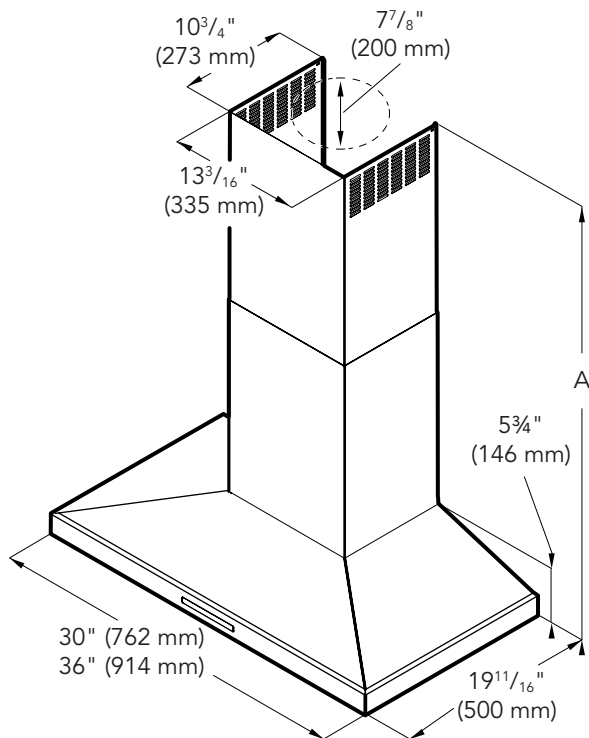
Pièces comprises

- Hotte aspirante avec ventilateur, volet anti-refoulement
- Lampe, déjà montée
- Filtre à graisse en métal
- Capot de cheminée
- Gabarit de perçage
- 1 cornière de retenue pour le capot de cheminée
- Notice d'utilisation et d'installation
- 6 vis, 5 x 45 mm
- 12 vis, 4,2 x 8 mm
- 2x rondelles
- 2x chevilles pour corps creux, 8x40 mm
- 4x chevilles pour corps creux, 10x50 mm
- Adaptateur Torx, 10 & 20

REMARQUE: Retirez délicatement le film de protection du couvercle du conduit et du capot avant le début de l'installation. Utilisez une main pour maintenir le couvercle de l'ensemble / conduit stable tandis que l'autre main enlève le film de protection.



Cotes de l'appareil



- A Uniquement en cas de mode recirculation de l'air :
*Max. 43 1/2" (1106 mm)
*Min. 29" (734 mm)
Uniquement en cas de mode évacuation de l'air :
*Max. 39 1/2" (1006 mm)
*Min. 25" (633 mm)

Distances de sécurité

⚠ AVERTISSEMENT

RISQUE D'INCENDIE

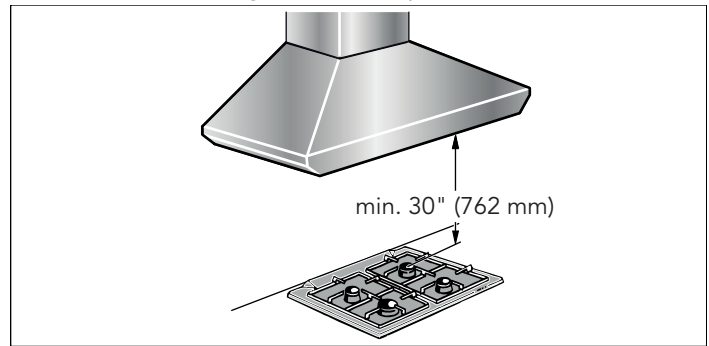
Les dépôts de graisse dans le filtre à graisse peuvent s'enflammer. La distance de sécurité recommandée doit être respectée afin d'éviter une accumulation de chaleur. Veuillez respecter les spécifications de votre appareil de cuisson. Si des cuisinières électriques et à gaz sont utilisées ensemble, la plus grande distance indiquée s'applique.

L'appareil peut seulement être installé directement contre un mur ou une armoire sur un côté.

L'espacement du mur ou de l'armoire doit être d'au moins 2" (50 mm).

La distance entre la surface de rangement sur la table de cuisson et le dessous de la hotte ne doit pas être inférieure à 30" (760 mm) pour les tables de cuisson électriques et pour les cuisinières à gaz ou combinées. Si les instructions pour l'installation de l'appareil de cuisson au gaz spécifient une plus grande distance, celle-ci doit être prise en compte.

Table de cuisson au gaz et électrique



Mode évacuation

Remarque: Il ne faut pas rejeter l'air usé dans une cheminée d'évacuation en service, ni dans un conduit servant à la ventilation de pièces où sont installés des foyers.

- Pour rejeter l'air dans un conduit de fumées qui n'est pas en service, il faut demander l'accord du maître ramoneur compétent.
- Si l'air est évacué à travers le mur extérieur de l'habitation, il faut utiliser un caisson mural télescopique.

Conduit d'évacuation

Remarque: Le fabricant de l'appareil décline toute garantie en cas de réclamation imputable à des problèmes liés au parcours des conduits.

- L'ouverture d'évacuation d'air et les conduits d'évacuation doivent être exécutés en fonction des conditions locales.
- L'appareil atteindra un rendement supérieur si le conduit d'évacuation est court et droit et que son diamètre est grand.
- Des conduits d'évacuation d'air longs, aux parois rugueuses, comportant plusieurs coudes ou des diamètres trop petits, empêchent d'atteindre une puissance d'aspiration optimale et le ventilateur devient plus bruyant.
- Les tuyaux rigides ou souples constituant le conduit d'évacuation doivent être en matériau ininflammable.
- Lisser la zone de raccordement des tuyaux avant le montage.
- Étancher les zones de jonction.




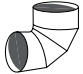
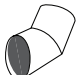
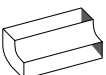


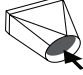
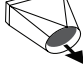
Tuyaux ronds

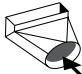
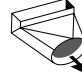
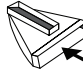
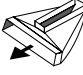
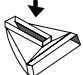



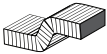

Nous recommandons un diamètre intérieur de Ø 8" (200 mm).

Vérifier le mur

- Le mur doit être plat, vertical et offrir une portance suffisante.
- La profondeur des trous percés doit être adaptée à la longueur des vis. Les chevilles doivent offrir une retenue sûre.
- Les vis et chevilles fournies conviennent pour la maçonnerie massive. En présence d'autres matériaux de construction, il faut utiliser des moyens de fixation correspondants.

Longueurs équivalentes de conduites pour pièces de transition habituellement utilisées

Pièce du système	Taille (po)	Longueur équivalente (pi)
 Lisse, droite	6	1.2
	8	0.7
	10	0.6
 3/4 x 10 po, droit	S.O.	1
 3/4 x 14 po, droit	S.O.	0.7
 Coude 90 degrés, rond	6	12
	8	6
	10	5
 Coude 45 degrés, rond	6	5
	8	3
	10	2
 3/4 x 10 po coude 90 degrés, rond	S.O.	5
 3/4 x 10 po, coude 45 degrés, rond	S.O.	15
 3/4 x 10 po, coude plat	S.O.	20
 Orifice rond jusqu'à 3/4 x 10 po	6	1
	8	10
 3/4 x 10 po jusqu'à l'orifice rond	6	5
	8	2

Pièce du système	Taille (po)	Longueur équivalente (pi)
 Orifice rond jusqu'à 3/4 x 10 po, avec coude 90 degrés	6	10
 3/4 x 10 po avec coude de 90 degrés, rond	6	10
 3/4 x 10 po coude centré, inversé, gauche	S.O.	15
 3/4 x 10 po coude centré, inversé, droit	S.O.	25
 3/4 x 10 po coude à gauche, inversé	S.O.	15
 3/4 x 10 po coude droit, inversé	S.O.	25
 Lisse, ronde	6	2
	8	2
	10	2
 Lisse de toit, ronde	6	2
	8	2
	10	2
 Gaine souple, 2 pi long, 3/4 x 10 po	S.O.	20
 Trémie de cheminée et volet d'obturation, 3/4 x 10 po	S.O.	2

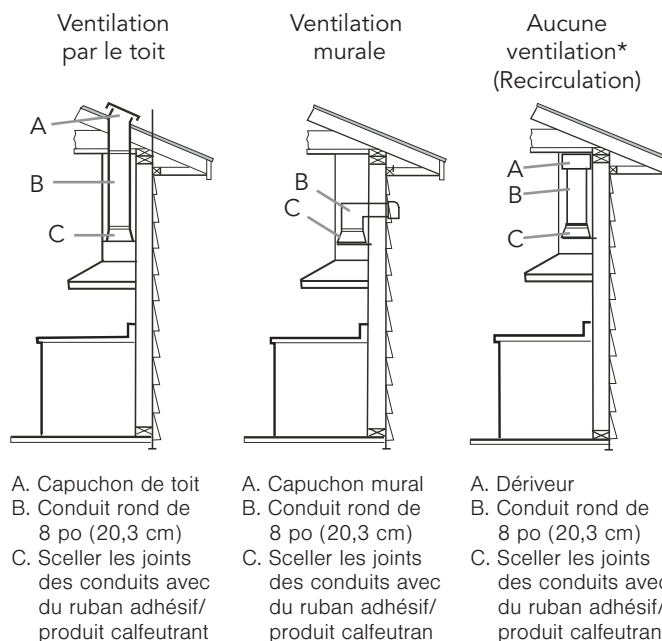
REMARQUE: Ces pièces courantes pour installation sont offertes dans les quincailleries locales. Bosch ne fabrique pas toutes ces pièces.

Procédure d'installation

Les conduits menant de la hotte à l'extérieur du bâtiment ont un impact important sur la circulation d'air, le bruit et la consommation énergétique de la hotte. Utilisez la configuration de conduits la plus courte et la plus droite possible pour un rendement optimal, et évitez d'installer la hotte avec des conduits d'une taille plus petite que celle recommandée. L'isolation autour des conduits peut réduire la perte énergétique et prévenir la formation de moisissure. Des hottes installées avec des conduits déjà en place peuvent ne pas atteindre leur débit d'air nominal.

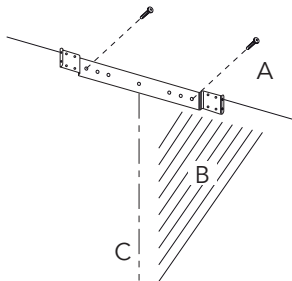
⚠ ATTENTION

Veillez à ce qu'il n'y ait pas de conduites électriques, ou tuyaux de gaz et d'eau au niveau des perçages.



Préparer l'installation

1. Du plafond au bord inférieur de la hotte aspirante, tracer une ligne médiane verticale sur le mur.
2. Aligner le gabarit de perçage à la ligne médiane et au bord inférieur de la hotte et le coller.
3. Marquer les emplacements des vis et le contour de la zone d'accrochage.
4. Marquer les perçages pour les cornières de retenue de la cheminée. Le milieu des cornières de retenue est repéré par un perçage. Appliquer les cornières de retenue de façon centrée à la ligne médiane, les aligner horizontalement et marquer l'emplacement des perçages.



A Toit
B Mur
C Axe centrale

Montage de la fixation murale

1. Percer les trous avec le foret de $\varnothing 5/16''$ (7,9 mm) pour la cornière de retenue.
2. Enfoncer les chevilles à fleur du mur.
3. Visser les vis (5x45 mm) à la main dans les chevilles, afin d'écartier la cheville.
4. Dévisser les vis.
5. Visser la cornière pour la cheminée.

Percement du plafond

1. Prolonger la ligne médiane du gabarit de perçage vers le plafond à l'aide d'un niveau à bulle.
2. Marquer le perçage du plafond ($\varnothing 8 1/2''$ (216 mm)) à une distance d'au moins $4 5/8''$ (117 mm) du mur.

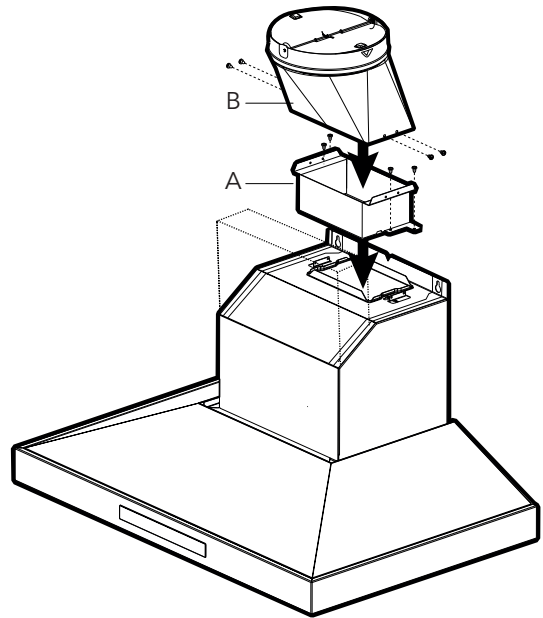
Percement du mur

1. Prolonger la ligne médiane du gabarit de perçage vers le plafond à l'aide d'un niveau à bulle.
2. En fonction du coude, marquer le perçage du mur ($\varnothing 8 1/2''$ (216 mm)) à une distance d'au moins $26 1/2''$ (660 mm) au-dessus du bord supérieur de la hotte.

Montage du volet anti-refoulement

1. Installer l'entretoise de transition avec 4 vis de 4.2×8 mm.

Visser le volet anti-refoulement sur la hotte à l'aide de 4 vis (4x8 mm).



A Entretoise de transition
B Transition d'air

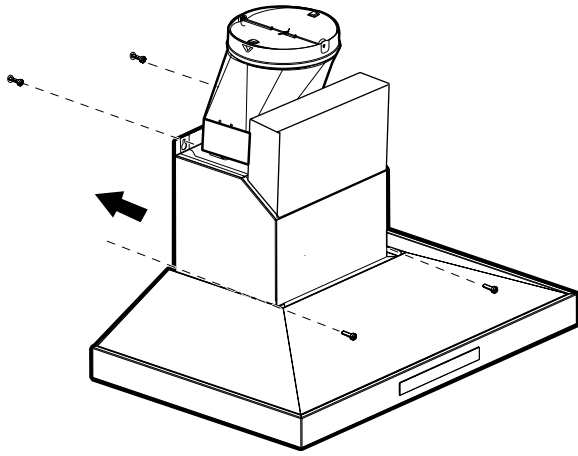
Monter la hotte aspirante au mur

AVERTISSEMENT

RISQUE DE BLESSURE

L'appareil est lourd. 2 personnes sont nécessaires pour déplacer l'appareil. Utiliser exclusivement des moyens appropriés.

1. Retirer d'abord le film protecteur du dos de l'appareil, puis intégralement une fois le montage achevé.
2. Marquer les perçages supérieurs sur le mur.
Remarque : S'assurer que les perçages sont alignés horizontalement et de manière centrée à la ligne médiane.
3. Percer les trous supérieurs. Respecter une distance de $1/4''$ (6 mm) entre le mur et la tête de la vis.
4. Enlever le filtre à graisse.
5. Accrocher la hotte au mur aux vis supérieures.
6. Marquer les perçages inférieurs.
7. Enlever la hotte du mur.
8. Percer les trous inférieurs.
9. Accrocher la hotte au mur aux vis supérieures.
10. Serrer les vis supérieures et inférieures à la main.



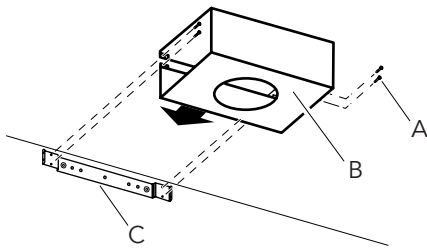
Effectuer le raccordement de l'évacuation de l'air (uniquement en cas de mode évacuation de l'air)

Remarque : En cas d'utilisation d'un tuyau en aluminium, lisser au préalable la zone de raccordement.

1. Fixer le tuyau d'évacuation et l'étancher.
2. Vérifier si le volet anti-refoulement fonctionne.

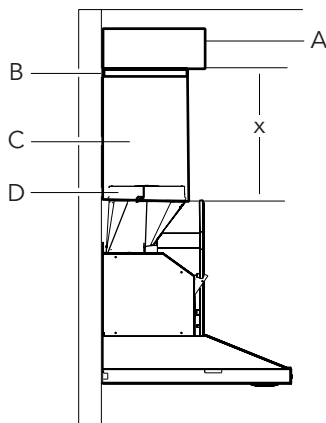
Montage du module de recirculation (uniquement en cas de mode recirculation)

1. Visser le boîtier pour le module de recirculation sur la cornière de retenue à l'aide de 4 vis (4x8 mm).



- A Vis
B Module de recirculation
C Cornière de retenue

2. Mesurer la distance (x) entre le bord inférieur du boîtier pour le module de recirculation et le bord inférieur du volet anti-refoulement.



- A Module de recirculation
B Colliers
C Capot de cheminée
D Canal d'évacuation d'air

3. Raccourcir le tuyau d'évacuation à la longueur mesurée.

4. Enlever le module de recirculation.
5. Pousser le tuyau d'évacuation sur la face inférieure du module de recirculation.
6. Positionner le module de recirculation avec le tuyau d'évacuation sur le canal d'évacuation.
7. Fixer le module de recirculation sur la cornière de retenue à l'aide de 4 vis.

Assurer les jonctions avec les colliers.

Brancher l'alimentation électrique

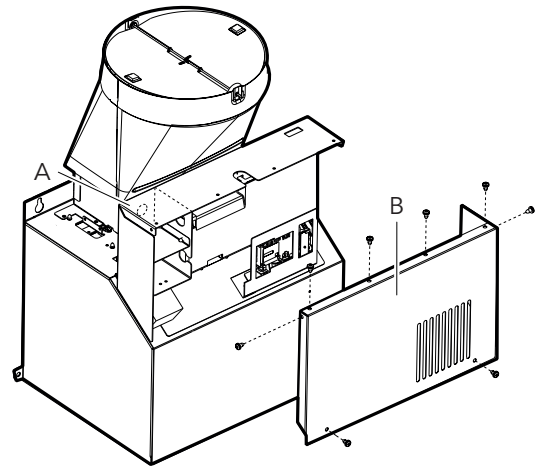
⚠ AVERTISSEMENT

RISQUE D'ÉLECTROCUTION

Avant de procéder au câblage de l'appareil, couper le circuit électrique principal au boîtier électrique. Un circuit électrique de 120 VAC, 15 ou 20 ampères est nécessaire. Indications pour la mise à la terre : Cet appareil est équipé d'un boîtier de distribution avec 3 câbles.

Utiliser le câble vert-jaune pour la mise à la terre de l'appareil. Relier le câble vert-jaune au câble de mise à la terre du raccordement domestique, afin d'éviter une décharge électrique. N'endommager ou n'enlever en aucun cas le câble vert-jaune. Le non-respect peut conduire à des blessures mortelles ou des décharges électriques.

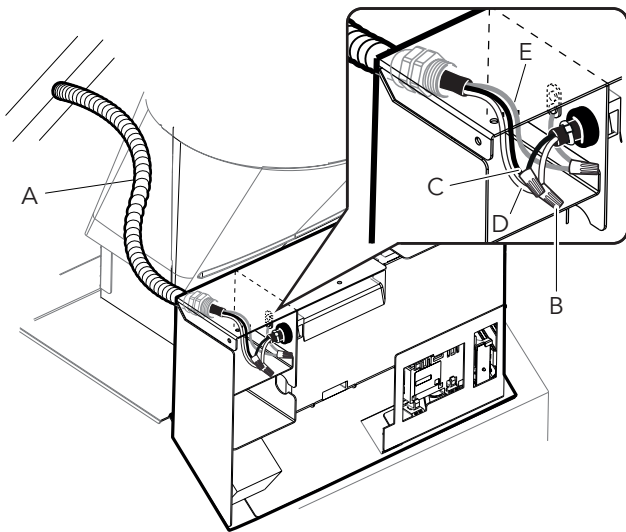
1. Débranchez le connecteur du câble situé en haut de la boîte de jonction.
2. Enlever le passage de câbles côté gauche et le couvercle de la commande du moteur. Fixer la pièce de raccordement pour la gaine d'installation (dans la liste cULUS) au passage de câbles.



- A Passage de câble
B Couvercle de la commande du moteur

3. Raccorder la gaine d'installation de 1/2" (12,7 mm) à la commande du moteur.
4. Acheminer le cordon d'alimentation du domicile à travers le serre-câble, dans le boîtier de connexion.
5. Connecter ensemble les conducteurs noirs (C) à l'aide de connecteurs de fils (homologation UL).
6. Connecter ensemble les conducteurs blancs (D) à l'aide de connecteurs de fils (homologation UL).

- À l'aide des connecteurs de fils (homologation UL), connecter le conducteur de liaison à la terre (vert ou nu) du câble d'alimentation du domicile au conducteur vert jaune de liaison à la terre (F) dans le boîtier de connexion.



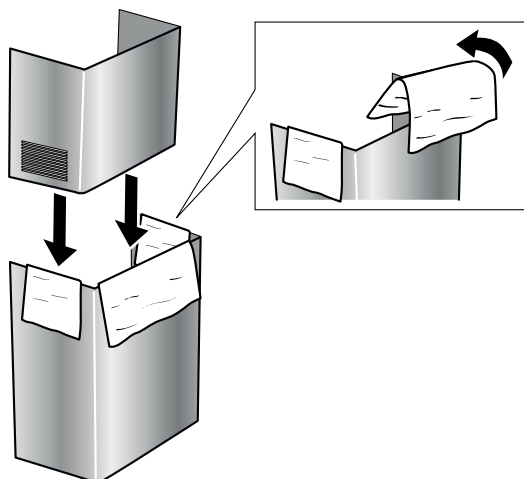
- | | |
|---|-----------------------|
| A Raccordement électrique | C Fils noirs |
| B Connecteurs de câbles indiqués dans la liste UL | D Fils blancs |
| | E Fils verts de terre |

- Serrer la vis du serre-câble.
- Installer le couvercle du boîtier de connexion.
- Branchez le connecteur de câble situé en haut de la boîte de jonction.

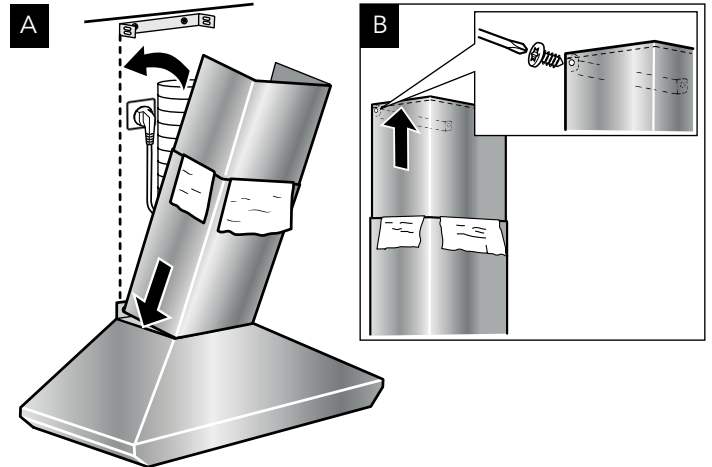
Monter le capot de cheminée

Certaines surfaces peuvent avoir des bords tranchants. Faire attention en étendant le bras derrière l'appareil ou en dessous.

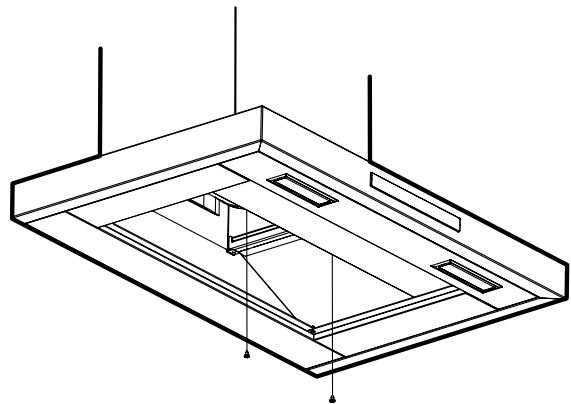
- Retirer les pellicules protectrices recouvrant les deux capots de cheminée.
- Faire coulisser les capots de cheminée l'un dans l'autre.
 - Pour éviter les rayures, poser du papier, à titre de protection, sur les bords du capot extérieur.
 - En mode évacuation de l'air, tourner le capot de cheminée supérieur de façon à ce que les fentes d'aération se trouvent en bas.



- Retirer les pellicules protectrices recouvrant la hotte.
- Poser les capots de cheminée sur l'appareil.
- Pousser le capot de cheminée intérieur vers le haut et l'accrocher sur les côtés gauche et droit à la cornière de retenue.
- À l'aide de deux vis, visser le capot de cheminée latéralement sur la cornière de retenue.



- Fixer la partie inférieure du capot de cheminée à l'aide de deux vis.



- Retirez le papier protecteur du capot de cheminée.
- Mettre en place le filtre à graisse en métal.

Dépose de l'appareil

- Retirer le filtre à graisse en métal.
- Détacher le capot de cheminée.
- Mettre l'appareil hors tension.
- Détacher les conduits d'évacuation.
- Desserrer les vis pour la fixation de l'appareil.
- Enlever l'appareil.

Service après-vente

Si votre appareil a besoin d'être réparé, notre service après-vente se tient à votre disposition. Veuillez indiquer le numéro de produit (n° E) et le numéro de fabrication (n° FD), afin de nous permettre de mieux vous aider. Vous trouverez la plaque signalétique à l'intérieur de l'appareil (après avoir retiré le filtre à graisse en métal).

Pour éviter d'avoir à les rechercher en cas de besoin, vous pouvez inscrire ici les données de votre appareil et le numéro de téléphone du service après-vente.

N° E

N° FD

Service après-vente 

Veillez noter que la visite d'un technicien du SAV n'est pas gratuite en cas de manipulation incorrecte, même pendant la période de garantie.

Veillez consulter l'annuaire du service après-vente ci-joint pour obtenir des informations sur les contacts dans tous les pays.

Pour réserver un service ou pour obtenir des conseils sur les produits:

EU 800 944 2904
gratuit

Índice de CONTENIDOS

Definiciones de SEGURIDAD

Seguridad	25
Instrucciones Importantes de Seguridad	25
Conexión Eléctrica	28
Antes de empezar	28
Herramientas y piezas necesarias	28
Piezas incluidas	28
Dimensiones del equipo	29
Distancias de seguridad	29
Calculando la longitud de ventilación	30
Procedimiento de instalación	30
Preparativos de la Instalación	31
Conexión de la alimentación eléctrica	32
Montaje de los Cubre ductos	33
Servicio al cliente	34

ADVERTENCIA

Esto indica que se pueden producir lesiones graves o la muerte si no se cumple con esta advertencia.

PRECAUCIÓN

Esto indica que pueden producirse lesiones leves o moderadas si no se cumple con esta advertencia.

AVISO: Esto indica que podrían producirse daños al electrodoméstico o a la propiedad como resultado de no hacer caso de este aviso.

Nota: Esto le alerta ante información o consejos importantes.

Este electrodoméstico de Bosch está hecho
por BSH Home Appliances Corporation
1901 Main Street, Suite 600
Irvine, CA 92614

¿Preguntas?
1-800-735-4328
www.bosch-home.com/us

¡Esperamos oír de usted!

Seguridad



INSTRUCCIONES DE SEGURIDAD IMPORTANTES *LEER Y CONSERVAR ESTAS INSTRUCCIONES*

INSTALADOR: Conservar estas instrucciones para que las use el inspector de electricidad local. Dejar estas instrucciones con esta unidad para el propietario. Mostrar al propietario la ubicación del breaker del circuito o del fusible. Marcarla para recordar más fácilmente.

PROPIETARIO: Conserve estas instrucciones para referencia futura.

ADVERTENCIA

Si no sigue la información de este manual exactamente, se puede ocasionar un incendio o una descarga eléctrica que pueden causar daños materiales o lesiones personales.

ADVERTENCIA



Si no sigue la información de este manual exactamente, se puede ocasionar un incendio o una descarga eléctrica que pueden causar daños materiales, lesiones personales o la muerte.

- NO almacenar ni usar gasolina u otros vapores y líquidos inflamables en la proximidad de este aparato o cualquier otro.
- **QUÉ HACER SI SE DETECTA OLOR A GAS**
 - NO trate de encender ningún aparato.
 - NO toque ningún interruptor eléctrico.
 - NO utilice ningún teléfono en su edificio.
 - Llame inmediatamente a su proveedor de gas desde un teléfono vecino. Siga las instrucciones del proveedor de gas.
 - Si no puede contactar a su proveedor de gas, comuníquese con el departamento de bomberos.
- La instalación y el mantenimiento deben ser realizados por un servicio técnico autorizado, una agencia de servicio técnico o por el proveedor de gas.

ADVERTENCIA

Apagar el circuito de alimentación eléctrica en el panel de servicio y bloquear el panel antes de conectar los cables de este aparato. Requisito: 120 VAC, 60 Hz 15 A. Dejar que se enfríe el aparato después de apagar la alimentación eléctrica y antes de realizar el mantenimiento del aparato.

ADVERTENCIA

Dispositivo con funcionamiento automático
Para reducir el riesgo de sufrir lesiones, desconectar de la fuente de alimentación antes de realizar el mantenimiento.

ADVERTENCIA

PARA REDUCIR EL RIESGO DE INCENDIO, DESCARGA ELÉCTRICA O LESIONES SOBRE LAS PERSONAS, CUMPLIR LO SIGUIENTE:

- Utilizar esta unidad solo de la manera prevista por el fabricante. Si surge alguna pregunta, ponerse en contacto con el fabricante en la dirección y teléfono que aparecen en la página posterior.
- Antes de limpiar o realizar el mantenimiento de la unidad, apagar el interruptor de electricidad en el panel de servicio y bloquear el panel de servicio para evitar una conexión accidental de la corriente. Si no es posible bloquear el panel de servicio, colocar alguna forma de advertencia visible, como una nota, sobre los interruptores del panel de servicio.

ADVERTENCIA

NO reparar ni reemplazar ninguna pieza del electrodoméstico, a menos que se recomiende específicamente en los manuales.

Una instalación, servicio o mantenimiento inadecuados pueden causar lesiones o daños materiales. Consultar este manual para recibir ayuda. Todos los demás servicios debe realizarlos un técnico de mantenimiento autorizado.

ADVERTENCIA



PELIGRO DE DESCARGA ELÉCTRICA

- NO retirar las conexiones.
- NO usar un cable de extensión.
- No seguir estas instrucciones puede producir la muerte o una descarga eléctrica.



INSTRUCCIONES DE SEGURIDAD IMPORTANTES

LEER Y CONSERVAR ESTAS INSTRUCCIONES

Instrucciones para la conexión a tierra

ADVERTENCIA

La conexión incorrecta a tierra puede causar una descarga eléctrica.

Este electrodoméstico debe estar conectado a tierra. En caso de cortocircuito, la conexión a tierra reduce el riesgo de descarga eléctrica, ya que se trata de un cable de salida por el que puede desviarse la corriente eléctrica.

Asegurarse de que el aparato está correctamente instalado y conectado a tierra por un técnico calificado. La instalación, las conexiones eléctricas y la conexión a tierra deben cumplir con todos los códigos correspondientes.

Si el Código Nacional Eléctrico (o el Código Eléctrico Canadiense) así lo requiere, este aparato debe instalarse en un circuito dedicado por separado.

ADVERTENCIA

Para reducir el riesgo de incendio o de descarga eléctrica, **NO** usar este aparato con ningún controlador de velocidad de estado sólido.

Códigos y normas de seguridad

Este aparato cumple con las siguientes normas:

- UL 507, la norma de seguridad para ventiladores eléctricos.
- CSA-C22.2 n.º 113, para ventiladores y ventilaciones.

Es responsabilidad del propietario y del instalador determinar si se aplican otros requisitos y/o normas en instalaciones específicas.

PRECAUCIÓN



La unidad es pesada y se requieren al menos dos personas o un equipo adecuado para trasladarla e instalarla.

Las superficies ocultas podrían tener bordes afilados. Tener cuidado al manejar el electrodoméstico. No hacerlo puede causar daños materiales o lesiones personales.

Advertencia en virtud de la Proposición 65

Este producto puede contener un químico que el Estado de California reconoce como potencialmente cancerígeno o causante de daños reproductivos. Por tanto, su producto debe llevar en su embalaje la siguiente etiqueta de conformidad con la legislación de California:

ADVERTENCIA EN VIRTUD DE LA PROPOSICIÓN 65 DEL ESTADO DE CALIFORNIA:

⚠️ ADVERTENCIA

Cáncer y daño reproductivo - www.P65Warnings.ca.gov.

No modificar ni alterar la construcción del electrodoméstico. Por ejemplo, no retirar los paneles, las cubiertas para cables ni las placas de fijación o los tornillos.

PRECAUCIÓN

Solo para un uso de ventilación general. **NO** utilizar para la evacuación de materiales y vapores peligrosos o explosivos.

ADVERTENCIA

Para reducir el riesgo de incendio, utilizar únicamente conductos metálicos.

Usar un instalador calificado.

Retirar toda la cinta y el embalaje antes de usar el electrodoméstico. Destruir el embalaje después de la instalación. No dejar nunca que los niños jueguen con el material de embalaje.



INSTRUCCIONES DE SEGURIDAD IMPORTANTES

LEA Y GUARDE ESTAS INSTRUCCIONES

ADVERTENCIA

PARA REDUCIR EL RIESGO DE INCENDIO, DESCARGA ELÉCTRICA O LESIONES SOBRE LAS PERSONAS, CUMPLIR LO SIGUIENTE:

- El trabajo de instalación y de conexión del cableado eléctrico debe ser realizado por una persona o personas calificadas de acuerdo con todos los códigos y normas aplicables, incluida la construcción relacionada con incendios.
- Se necesita una cantidad suficiente de aire para la correcta combustión y extracción de gases a través de la salida de humos (chimenea) del equipo de quema de combustible para evitar el reflujo. Seguir las pautas del fabricante de equipos de calefacción y las normas de seguridad como las publicadas por la Asociación Nacional de Protección contra Incendios (NFPA) y la Sociedad Americana de Ingenieros de Calefacción, Refrigeración y Aire Acondicionado (ASHRAE) y las autoridades locales de códigos.
- Cuando se corte o perfore la pared o el techo, no dañar el cableado eléctrico ni otros sistemas ocultos.
- Los ventiladores entubados siempre deben evacuarse hacia el exterior.

ADVERTENCIA

PARA REDUCIR EL RIESGO DE UN INCENDIO POR GRASA:

- No dejar nunca las unidades de la superficie desatendidas con ajustes de calor elevado.
- Los derrames provocan humo y salpicaduras de grasa que pueden incendiarse. Calentar el aceite lentamente, con temperaturas bajas o medias.
- ENCENDER siempre la campana al cocinar a fuego alto o al flambear (p.ej. crepes Suzette, cerezas Jubilee, carne de res flambeada a la pimienta).
- Limpiar los ventiladores con frecuencia. No debe permitirse la acumulación de grasa en un ventilador o filtro.

ADVERTENCIA

PARA REDUCIR EL RIESGO DE LESIONES SOBRE LAS PERSONAS EN CASO DE INCENDIO POR GRASA, CUMPLIR LO SIGUIENTE:

- SOFOCAR LAS LLAMAS con una tapa ajustada, una bandeja para hornear o una bandeja metálica y a continuación, apagar la zona de cocción. TENER CUIDADO PARA EVITAR QUEMADURAS. Si las llamas no se apagan inmediatamente, EVACUAR EL LUGAR Y LLAMAR AL DEPARTAMENTO DE BOMBEROS.
- NO AGARRAR NUNCA UN SARTÉN EN LLAMAS: se pueden sufrir quemaduras.
- NO UTILIZAR AGUA ni trapos o toallas húmedos: podría producirse una explosión de vapor violenta.
- Utilizar un extintor SOLO si:
 - a) Se tiene un extintor de clase ABC y se sabe cómo manejarlo.
 - b) El fuego es pequeño y se mantiene en la zona donde comenzó;
 - c) Se ha llamado al departamento de bomberos;
 - d) Se puede combatir el fuego con una vía de escape a su espalda.

^aBasado en los «Kitchen Fire Safety Tips» [Recomendaciones de seguridad contra incendios en la cocina] publicados por la NFPA.

Conexión Eléctrica

⚠ ADVERTENCIA

PELIGRO DE DESCARGA ELÉCTRICA

Los componentes dentro del equipo pueden tener bordes filosos. Puede dañarse el cable de conexión. No retorcer ni constreñir el cable durante la instalación.

Comprobar la instalación doméstica antes de conectar el aparato. Comprobar que la instalación doméstica dispone de los fusibles apropiados. El voltaje y la frecuencia del aparato deben coincidir con la instalación eléctrica del aparato (ver placa de características).

El aparato pertenece a la clase de protección I y solo puede utilizarse conectado a una conexión con conductor de toma a tierra.

Para la instalación se necesita un dispositivo de separación omnipolar con una abertura de contacto de 3 mm como mínimo. Este dispositivo debe estar accesible incluso después del montaje.

La colocación o la sustitución del cable de conexión solo puede llevarla a cabo un técnico electricista observando las instrucciones pertinentes.

Seguir todas las normas y disposiciones legales válidas. Asegurarse de que la conexión eléctrica satisface las exigencias de todas las normas y disposiciones legales aplicables en cada país relativas a las últimas versiones de las siguientes normas: Código Eléctrico Nacional (NEC), ANSI/NFPA 70* o estándares CSA C22.1-94, Código Eléctrico Canadiense (CEC), parte 1 y C22.2 n.º 0-M91**.

Solicitar a un instalador eléctrico que compruebe la toma a tierra del aparato.

No conectar a tierra con conducto de gas.

No debe colocarse ningún fusible en el circuito eléctrico neutro o en el de toma a tierra.

Conservar las instrucciones de montaje. Conectar el aparato solo con cable de cobre. De ser posible, conectar el aparato con una guía de cable metálica directamente a la caja de fusibles.

El diámetro del alambre debe cumplir las exigencias de todas las normas y disposiciones legales aplicables en cada país relativas a las últimas versiones de las siguientes normas: Código Eléctrico Nacional (NEC), ANSI/NFPA 70* o estándares CSA C22.1-94, Código Eléctrico Canadiense (CEC), parte 1 y C22.2 n.º 0-M91**.

Colocar un tubo aislante, incluido en la lista U.L. o C.S.A., en los dos extremos del cable de conexión, es decir, en el aparato y en la caja de fusibles.

Hay disponible una copia de las normas en cuestión en:

* National Fire Protection Association Batterymarch Park Quincy, Massachusetts 02269

** CSA International 8501 East Pleasant Valley Road Cleveland, Ohio 44131-5575

Antes de empezar

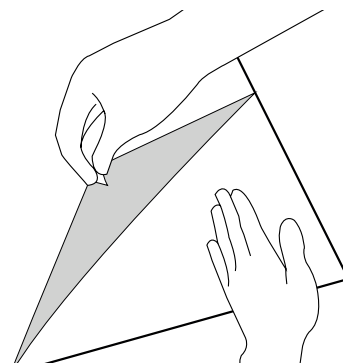
Herramientas y piezas necesarias

- Cinta métrica
- Lápiz
- Desarmador Phillips (Posidrive) #2
- Taladro con las siguientes brocas: 5/16" (7,9 mm) y 3/8" (9,5 mm)
- Nivel de burbuja
- Cinta de aluminio (NO usar cinta aislante)
- Conducto de salida de aire (la configuración depende de la situación de montaje).
- Además, tornillos para chapa (en caso de que sea necesario para la instalación del conducto de salida del aire)
- Sierra
- Cable de corriente
- Pasacables de 1/2" (13 mm) aprobado por UL o CSA
- Tres conectores de cable aprobados por UL

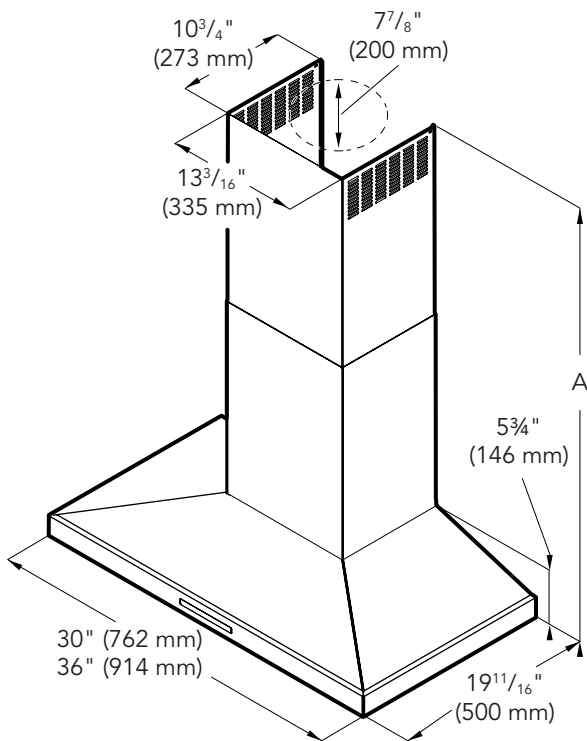
Piezas incluidas

- Campana extractora con ventilador, válvula de retención
- Lámparas, ya montadas
- Filtro metálico antigrasa
- Revestimiento de chimenea
- Plantilla de perforación
- 1 escuadra de sujeción para el revestimiento de la chimenea
- Instrucciones de uso y de instalación
- 6 tornillos de 5 x 45 mm
- 12 tornillos de 4.2 x 8 mm
- 2 rondanas
- 2 taquetes de 8 x 40 mm
- 4 taquetes de 10 x 50 mm
- Adaptador Torx, 10 y 20

NOTA: Remueva con cuidado el protectivo de los cubre ductos y el ensamble de la campana antes de proceder con la instalación. Use una mano para mantener la campana o el cubre ducto en su lugar, mientras remueve el protectivo con la otra. Utilice guantes.



Dimensiones del equipo



- A Solo con funcionamiento en recirculación:
*Max. 43 1/2" (1106 mm)
*Min. 29" (734 mm)
Solo con funcionamiento en salida de aire al exterior:
*Max. 39 1/2" (1006 mm)
*Min. 25" (633 mm)

Distancias de seguridad

⚠ ADVERTENCIA

RIESGO DE INCENDIO

Los depósitos de grasa en el filtro antigrasa pueden incendiarse. Se debe observar el espacio libre de seguridad dado para evitar la acumulación de calor.

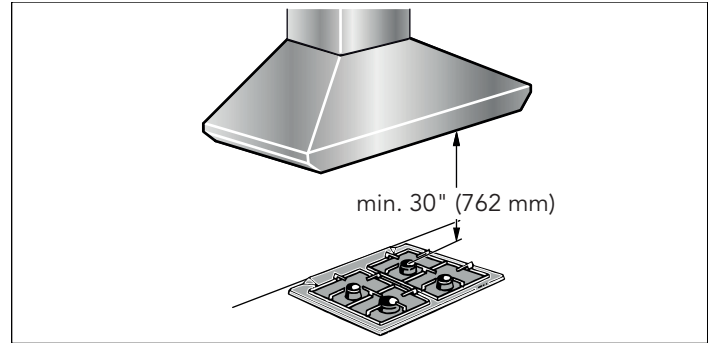
Tener en cuenta las especificaciones de su aparato de cocción. Si se usan conjuntamente placas de cocción eléctricas y de gas, entonces aplicará el mayor espacio libre indicado.

El aparato solo se podrá instalar directamente junto a un gabinete o pared a un lado. El espacio libre de la pared o del gabinete debe ser por lo menos de 2" (50 mm).

Para instalaciones sobre superficies de cocción de gas y eléctricas: Monte la campana de modo que el borde inferior se encuentre al menos a 30" (762 mm) encima de la superficie de cocción.

Cuando las instrucciones de instalación de la estufa de gas establecen una distancia mayor, esta deberá tenerse en cuenta.

Superficie de cocción eléctrica y de gas



Funcionamiento con extracción de aire

NOTA: La emisión de los gases no se debe canalizar hacia una chimenea de humo o de gases de escape que esté en funcionamiento, ni hacia un tiro que sirva para sacar el aire de las habitaciones donde haya equipos con fuego.

- Si los gases de escape se van a canalizar hacia una chimenea de humo o de gases de escape que no esté en funcionamiento, se tiene que conseguir la aprobación del especialista en chimeneas correspondiente.
- Si las emisiones de gases se canalizan a través del muro externo, se tiene que utilizar una caja telescópica para muros.

Conducto de escape

Nota: La garantía del fabricante del aparato no cubre las reclamaciones que se atribuyan al segmento de conductos.

- La abertura de salida de aire y los conductos del aire de salida deben estar montados conforme a la situación real del lugar.
- El aparato alcanza su potencia óptima con un conducto de salida de aire rectilíneo y corto y con un diámetro grande de conducto en la medida de lo posible.
- Con conductos de salida de aire largos y rugosos, muchos codos de tubo o diámetros de tubo de un tamaño demasiado pequeño, no se consigue la capacidad de aspiración óptima y los ruidos del ventilador serán mayores.
- Los conductos o mangueras para el tendido del conducto de salida del aire deben estar fabricados con material ignífugo.
- Antes del montaje, pulir previamente la zona de empalme de los conductos.
- Obturar los puntos de unión de los tubos.





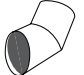

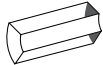
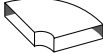
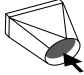
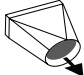
Conductos cilíndricos

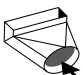
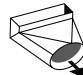
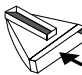
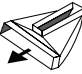
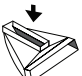
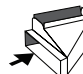


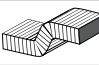

Se recomienda una circunferencia interior de Ø 8" (200 mm).

Revisar la pared

- La pared debe ser plana, vertical y tener suficiente capacidad de carga.
- La profundidad de los agujeros debe ser equivalente a la longitud de los tornillos. Los taquetes deben quedar bien sujetos.
- Los tornillos y taquetes suministrados son apropiados para mampostería sólida. Para otro tipo de construcciones se deberán utilizar medios de fijación apropiados.

Calculando la longitud de ventilación

Pieza de ducto	Tamaño (pulgadas)	Longitud equivalente (pies)
 Circular, recto	6	1.2
	8	0.7
	10	0.6
 3/4" x 10", recto	N/D	1
 3/4" x 14", recto	N/D	0.7
 Codo a 90°, circular	6	12
	8	6
	10	5
 Codo a 45°, circular	6	5
	8	3
	10	2
 3/4" x 10" codo a 90°, circular	N/D	5
 3/4" x 10", codo a 45°, circular	N/D	15
 3/4" x 10", codo plano	N/D	20
 Circular a 3/4" x 10"	6	1
	8	10
 3/4" x 10" a circular	6	5
	8	2

Pieza de ducto	Tamaño (pulgadas)	Longitud equivalente (pies)
 Circular a codo de 3/4" x 10" a 90°	6	10
 3/4" x 10" a codo circular a 90°	6	10
 3/4" x 10", codo invertido central, izquierda	N/D	15
 3/4" x 10", codo invertido central, derecha	N/D	25
 3/4" x 10", codo invertido izquierda	N/D	15
 3/4" x 10", codo invertido izquierda	N/D	25
 Tapa circular de pared	6	2
	8	2
	10	2
 Tapa circular de techo	6	2
	8	2
	10	2
 2" longitud, 3/4" x 10" flexible	N/D	20
 3/4" x 10", soporte de fijación y toma de techo	N/D	2

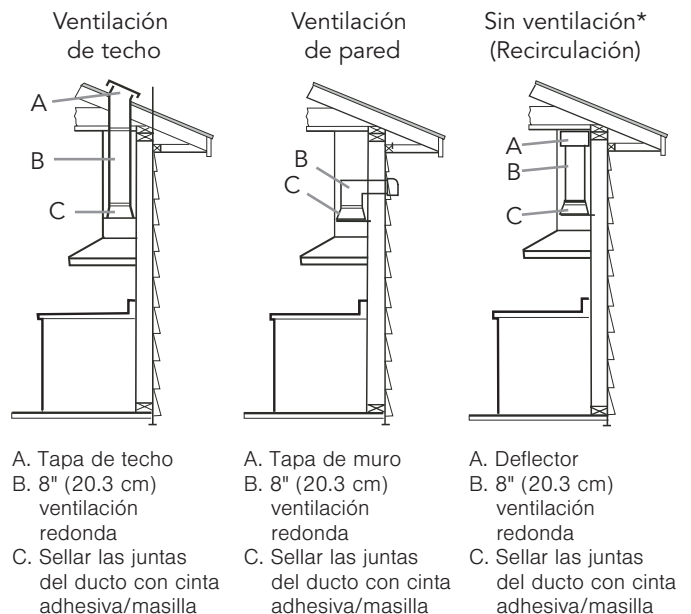
NOTA: Estas partes de instalación de uso frecuente se pueden adquirir en ferreterías locales. Bosch no fabrica todas estas piezas.

Procedimiento de instalación

El ducto de este ventilador hacia el exterior del edificio tiene un fuerte efecto sobre el flujo de aire, el ruido y el uso de energía del ventilador. Utilizar la ruta más corta y más recta posible del ducto para un mejor desempeño y evitar instalar el ventilador con ductos más pequeños de lo recomendado. El aislamiento alrededor de los ductos puede reducir la pérdida de energía e inhibir el crecimiento de moho. Los ventiladores instalados con ductos existentes pueden no alcanzar su flujo de aire nominal.

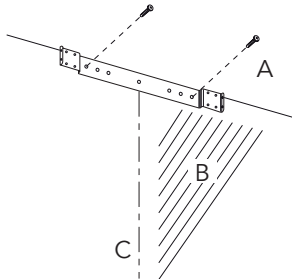
PRECAUCIÓN

Asegurarse de que no haya cables eléctricos o tuberías de gas o agua en el área donde se va a taladrar.



Preparativos de la Instalación

1. Dibujar en la pared una línea central vertical desde el techo hasta el borde inferior de la campana extractora.
2. Colocar la plantilla para taladrar en el eje central y en el borde inferior de la campana extractora y pegarla.
3. Dibujar las posiciones para los tornillos y el contorno de la zona de enganche.
4. Dibujar los agujeros para la escuadra de fijación de la chimenea. El centro de la escuadra de fijación está marcado con un agujero. Colocar las escuadras de sujeción en el medio del eje central, alinearlas horizontalmente y marcar la posición de los agujeros.



A Techo
B Pared
C Línea de Centro

Montaje del soporte de la pared

1. Perforar agujeros de $\text{Ø } 5/16''$ (7,9 mm) para la escuadra de fijación.
2. Introducir los taquetes de forma que queden enrasados con la pared.
3. Atornillar con la mano los tornillos (5x45 mm) en los taquetes para que estos últimos se abran.
4. Desatornillar los tornillos.
5. Atornillar la escuadra de sujeción para la chimenea.

Realización de la perforación del techo

1. Con ayuda de un nivel de burbuja, alargar hasta el techo el eje central de la plantilla para taladrar.
2. Dibujar la perforación de techo ($\text{Ø } 8 \frac{1}{2}''$ (216 mm)) a una distancia de al menos $4 \frac{5}{8}''$ (117 mm) de la pared.

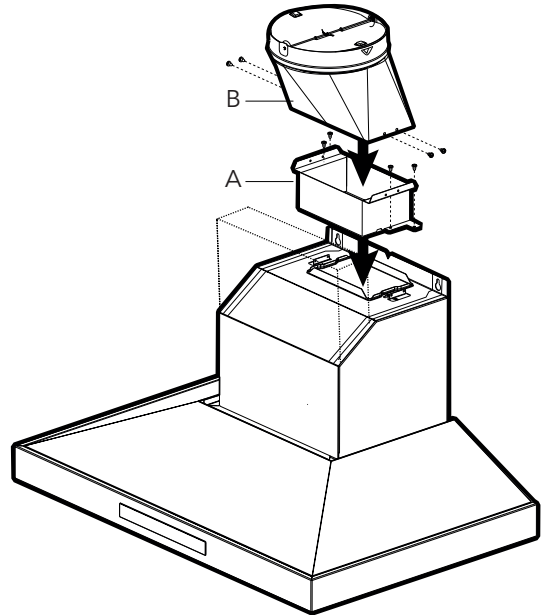
Realización de la perforación mural

1. Con ayuda de un nivel de burbuja, alargar hasta el techo el eje central de la plantilla para taladrar.

Teniendo en cuenta el codo del tubo, dibujar la perforación mural ($\text{Ø } 8 \frac{1}{2}''$ (216 mm)) a, al menos, $26 \frac{1}{2}''$ (660 mm) por encima el borde inferior de la campana.

Montaje de la válvula de retención

1. Instale el espaciador de la transición usando 4 tornillos de 4.2 x 8 mm.
2. Instale la transición usando 4 tornillos de 4.2 x 8 mm.



A Espaciador de la Transición
B Transición

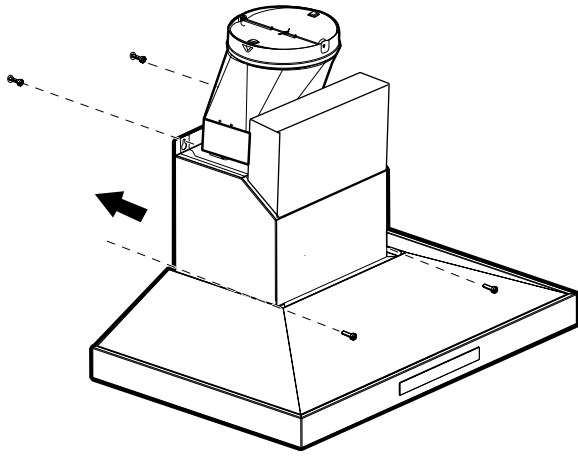
Montaje de la campana en la pared

⚠ ADVERTENCIA

RIESGO DE LESIONES

El aparato es pesado. Para mover el aparato se necesitan 2 personas. Utilizar únicamente los medios auxiliares apropiados.

1. Retirar la lámina protectora del aparato primero en la parte posterior y por completo una vez finalizado el montaje.
2. Marcar los agujeros superiores sobre la pared.
Nota: Asegurarse de que los agujeros estén alineados horizontalmente en el eje central.
3. Perforar los agujeros superiores. Dejar una distancia de $1/4''$ (6 mm) entre la pared y la cabeza del tornillo.
4. Retirar el filtro antigrasa.
5. Colgar la campana en la pared por los tornillos superiores.
6. Dibujar los agujeros inferiores.
7. Retirar la campana de la pared.
8. Perforar los agujeros inferiores.
9. Colgar la campana en la pared por los tornillos superiores.
10. Apretar los tornillos superiores e inferiores con la mano



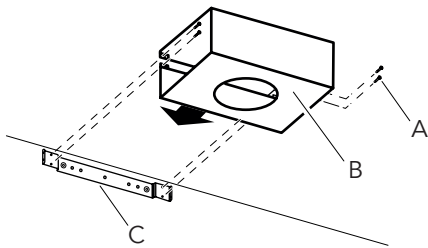
Realización de la conexión de salida de aire al exterior (solo con funcionamiento en salida de aire al exterior)

Nota: Si se utiliza un conducto de aluminio, pulir previamente la zona de conexión.

1. Fijar y sellar el conducto de salida de aire.
2. Comprobar si la válvula de retención funciona.

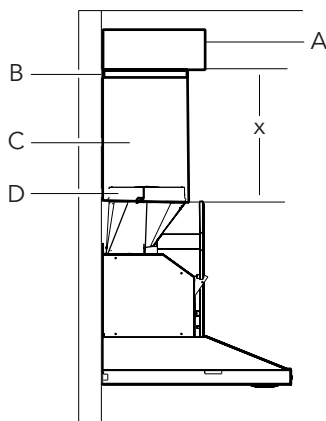
Montaje del módulo de recirculación (sólo con funcionamiento en recirculación)

1. Atornillar la carcasa del módulo de recirculación con 4 tornillos (4x8 mm) a la escuadra de fijación.



- A Tornillos
B Módulo de recirculación
C Escuadra de sujeción

2. Medir la distancia (x) entre el borde inferior de la carcasa del módulo de recirculación y el borde inferior de la válvula de retención.



- A Módulo de recirculación
B Abrazaderas
C Revestimiento de la chimenea
D Conducto de evacuación

3. Acortar el conducto de salida de aire a la longitud medida.
4. Retirar el módulo de recirculación.
5. Desplazar el conducto de salida de aire a la parte inferior del módulo de recirculación.
6. Colocar el módulo de recirculación con el conducto de salida de aire sobre el conducto de evacuación de la campana extractora.
7. Fijar el módulo de recirculación con 4 tornillos a la escuadra de fijación.

Asegurar las uniones con abrazaderas.

Conexión de la alimentación eléctrica

⚠ ADVERTENCIA

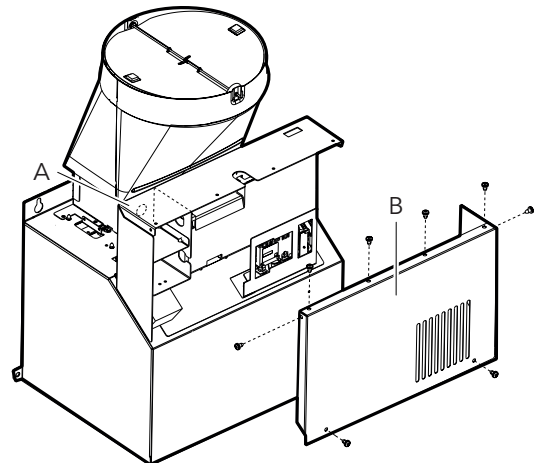
RIESGO DE DESCARGA ELÉCTRICA

Antes de realizar la instalación de cableado del aparato, interrumpir el circuito principal de corriente del gabinete eléctrico de distribución. Será necesario un circuito con 120 VAC, 15 o 20 amperios.

Consejos para la toma a tierra: este aparato está provisto de una caja de distribución con 3 cables.

Usar el cable verde-amarillo para la toma a tierra del aparato. Conectar el cable verde-amarillo con el cable de toma a tierra de la conexión de la vivienda para evitar una descarga eléctrica. No dañar o eliminar el cable verde-amarillo bajo ninguna circunstancia. La no observancia puede derivar en heridas o riesgo de electrocución.

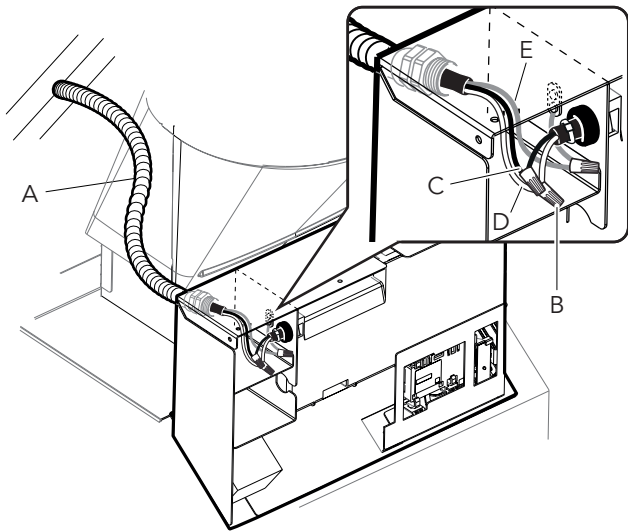
1. Desconecte el cable conector localizado sobre la caja eléctrica.
2. Retirar el precorte de la caja eléctrica y la cubierta de la caja eléctrica.



- A Cable passage
B Cover of the junction box

3. Conectar el conducto de instalación de 1/2" (12,7 mm) al control del motor
4. Pase el cable de corriente a través del pasacables, dentro de la caja eléctrica.
5. Use los conectores de cable y conecte los cables negros (C).

- Use los conectores de cable y conecte los cables blancos (C).
- Use los conectores de cable y conecte los cables verde de tierra del cable de corriente y el cable verde de tierra de la caja eléctrica (E).



A Cable de corriente
 B Conector de cables
 C Cables negros
 D Cables blancos
 E Cables verdes (o verdes y amarillos) de tierra

- Ajuste el pasacable.
- Vuelva a colocar la cubierta de la caja eléctrica.
- Vuelva a conectar el cable conector localizado sobre la caja eléctrica.

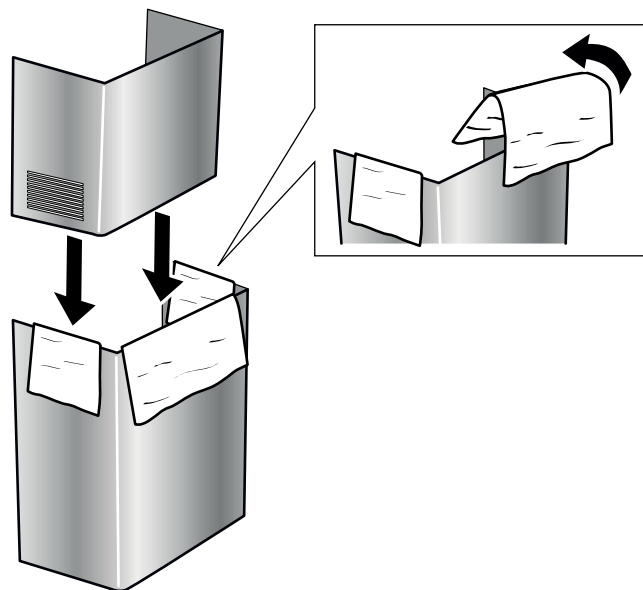
Montaje de los Cubre ductos

Las superficies ocultas pueden tener bordes filosos. Proceda con cuidado al intentar tomar el electrodoméstico por la parte trasera o desde abajo.

- Retirar las láminas protectoras ubicadas en ambos revestimientos de la chimenea.
- Desplazar entre sí los revestimientos de la chimenea.

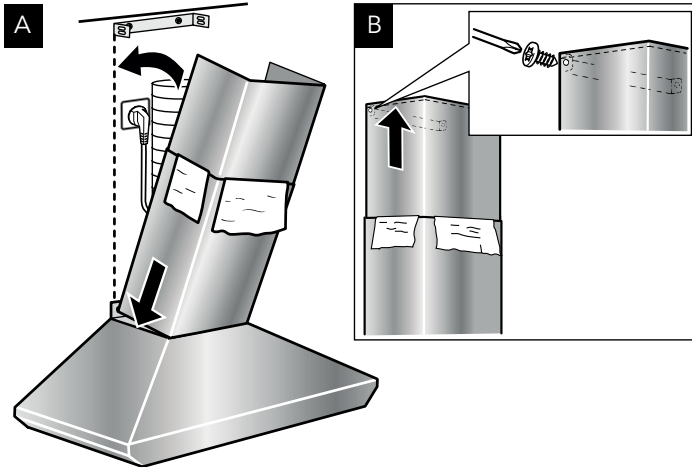
Notas

- Para evitar raspaduras, colocar papel a modo de protección sobre los bordes del revestimiento exterior de la chimenea.
- Con funcionamiento en salida de aire al exterior, girar el revestimiento superior de la chimenea de tal forma que las rejillas de ventilación estén situadas en la parte inferior

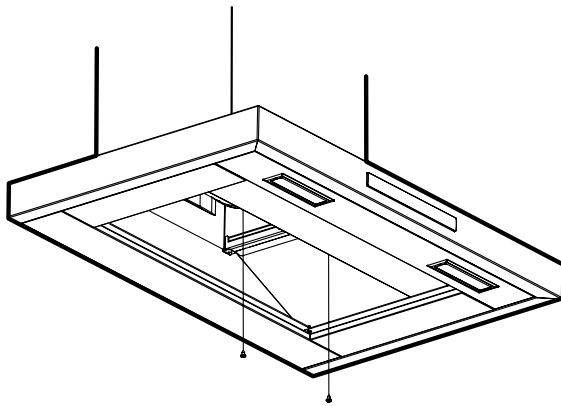


- Retirar las láminas protectoras de la campana extractora.
- Colocar los revestimientos de la chimenea sobre el aparato.
- Desplazar hacia arriba el revestimiento interior de la chimenea y engancharlo a la izquierda y a la derecha en la escuadra de sujeción.

- Atornillar el revestimiento de la chimenea con dos tornillos laterales en la escuadra de sujeción.



- Fijar la parte inferior del revestimiento de la chimenea con dos tornillos.



- Retire el papel protector de la chimenea inferior.
- Coloque los filtros de grasa metálicos.

Desmontaje del aparato

- Desmontar el filtro metálico antigrasa.
- Soltar el revestimiento de la chimenea.
- Desconectar el aparato de la corriente.
- Soltar los conductos de evacuación del aire.
- Soltar los tornillos que fijan el aparato.
- Sacar el aparato.

Servicio al Cliente

Nuestro Departamento de Servicio al cliente está ahí si su dispositivo necesita reparación. Indicar el número de producto (E) y el de fabricación (FD) para obtener un asesoramiento calificado. La placa de características con la numeración se encuentra en el interior del aparato (desmontar el filtro de metal antigrasa). A fin de evitarse molestias llegado el momento, le recomendamos anotar los datos de su aparato así como el número de teléfono del Servicio de Asistencia Técnica en el siguiente apartado.

No. de Producto (E)	No. de fabricación (FD)

Servicio de asistencia
Técnica ☎

Por favor, considere que una visita para enseñarle a emplear su dispositivo no está cubierta por la garantía. Encuentre los datos de contacto en la siguiente lista:

Para agendar un servicio o algún consejo sobre su producto:

EU 800 944 2904



BOSCH

Invented for life

1901 Main Street, Suite 600, Irvine, CA 92614 • 800-944-2904 • www.boschappliances.com
LIB0156029/9001431870 • Rev. A • © 2019 BSH Home Appliances Corporation