

**Key Features**

- **Industry Leading: BrightShield antimicrobial lighting creates a clean environment for ice** \*\*select models
- Daily ice production of up to 55 lb of ice
- Up to 25 lb in ice storage capacity
- Clear ice cube dimensions: 7/8" W x 7/8" H x 7/8" L
- Clear ice cube fullness can be adjusted
- Silent setting temporarily suspends ice making for 3 hours
- Digital Touch Pad Control
- Indicator alert notifies user when cleaning is needed
- Easy clean process only lasts 45 minutes
- White interior
- Bright white LED lighting (on non-BrightShield models)
- Clear heavy duty ice scoop included
- Drain required
- Factory installed drain pump model recommended if a gravity drain is not accessible
- Integrated model requires 3/4" custom door panel and handle (not supplied by U-Line)
- Stainless steel handle (7/8" diameter)
- Field reversible door is shipped right-hand hinged
- Built-in or freestanding
- Four adjustable leveling legs

**Model Details**

Model	Voltage/Hz	Door Swing	Pump	Finish	Shipping Weight
UHCL115-SS01A	115 / 60	Field Reversible	-	Stainless Solid	95 lb
UHCP115-SS01A	115 / 60	Field Reversible	Pump Included	Stainless Solid	101 lb
UHCP115-SS81A **BrightShield Lighting	115 / 60	Field Reversible	Pump Included	Stainless Solid	101 lb
UHCL115-IS01A	115 / 60	Field Reversible	-	Integrated Solid	92 lb
UHCP115-IS01A	115 / 60	Field Reversible	Pump Included	Integrated Solid	98 lb
UHCP115-IS81A **BrightShield Lighting	115 / 60	Field Reversible	Pump Included	Integrated Solid	98 lb
UHCL115-BS01A	115 / 60	Field Reversible	-	Black Solid	95 lb
UHCP115-BS01A	115 / 60	Field Reversible	Pump Included	Black Solid	101 lb
UHCL115-WS01A	115 / 60	Field Reversible	-	White Solid	92 lb
UHCP115-WS01A	115 / 60	Field Reversible	Pump Included	White Solid	101 lb

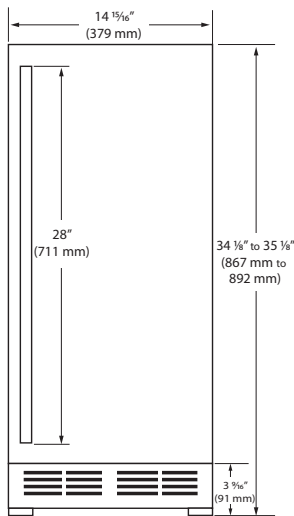
**Accessories**

Model	Description	Finish	Shipping Weight
80-55667-00	Clear Ice Machine Cleaner	N/A	1 lb
ULAWATERHOOKUP	Braided Water Supply Line Kit	N/A	2 lb

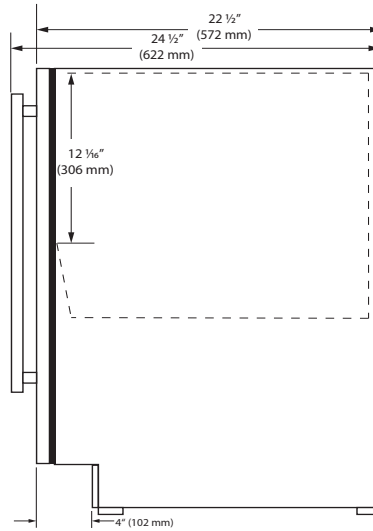
# HCL115 / HCP115 • 15" Clear Ice Machine

## Front

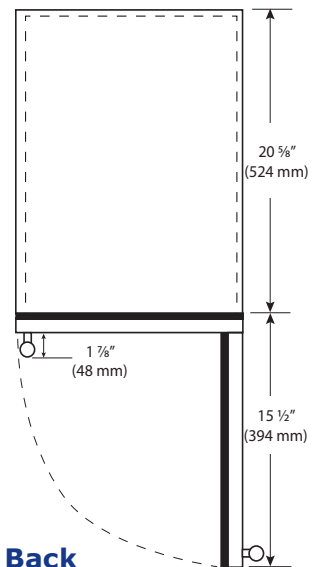
Dimensions shown apply to all finishes, including Integrated (INT) models with 3/4" integrated panel/frame installed.



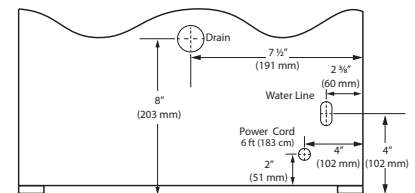
## Side



## Top



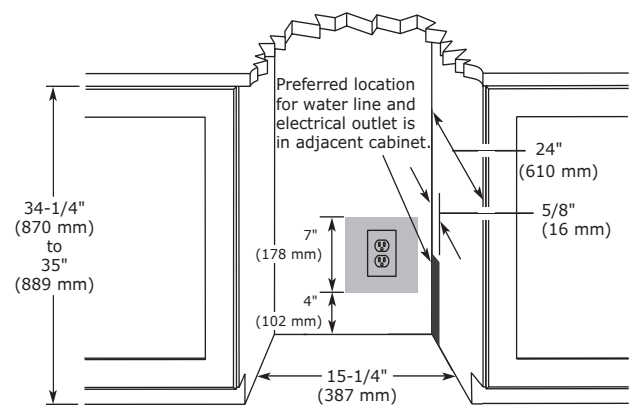
## Back



## Specifications

Model	HCL115/HCP115
Amps: Running	4
Amps: Ice Harvest	5.5
Control Type	Digital Touch Pad
Defrost Type	N/A
Dimensions: Product Depth	22 1/2" / 572 mm
Dimensions: Product Height	34 1/8" to 35 1/8" / 867 mm to 892 mm
Dimensions: Product Width	14 15/16" / 379 mm
ENERGY STAR	N/A
Ice Production Per Day	55 lb
Ice Storage	25 lb
Panel Height	30 1/4" / 768 mm
Panel Thickness	3/4" / 20 mm
Panel Type	Solid Panel
Panel Width	14 3/4" / 375 mm
Product Weight: Max	91 lb
Refrigerant Type	R600a (1.76 oz)
Sabbath (Star K Certified)	Yes

## Cabinet Cut-Out



## Warranty

- 1 Year (parts & labor) / 5 year sealed system (parts)
- + **Additional 1 Year (parts & labor) warranty at no cost with product registration**

See complete warranty for details



## Installation Notes

- No additional clearance is needed for ventilation
- Do not obstruct front grille air flow

