

# 30" Microwave Combination Oven

800 Series – Stainless Steel HBL87M53UC



**HBL87M53UC**  
Stainless Steel

**Bosch microwave combination ovens create an all-in-one cooking center with an upper microwave and a Convection Pro oven below.**

## Features & Benefits

With capacities of 1.6 cu. ft. upper microwave and 4.6 cu. ft. lower oven allows enough space to cook everyday meals or for a crowd.

10 convenient automatic sensor cooking programs to simplify cooking for great results every time.

Convection Pro combines a third heating element with a back fan for even browning and time savings by using multiple racks at one time.

Download the Home Connect® app to remotely monitor and control your Bosch wall oven with your smart phone or tablet.

## General Properties

Home Connect® – lower cavity (WiFi enabled)	Yes
Oven modes – upper cavity	Microwave; 10 Sensor Cooking Programs (including Baked Potato, Sweet Potato, Fresh Vegetable, Frozen Vegetable, Ground Meat, Fish / Seafood, Brown Rice, White Rice, Frozen Entrees, Reheat), Popcorn, Beverage, Melt / Soften, Defrost
Oven modes – lower cavity	Bake, Variable Broil (hi & low), Roast, Warm, Sabbath, Proof Dough, Convection Bake, Convection Broil, Convection Roast, Pizza, Convection Multi-Rack, Convection Conversion, Temperature Probe, Fast Preheat
Cleaning type – lower	Self Clean
Telescopic rack	1
Illumination type	LED (Upper) / Halogen (Lower)
Interior lights	1 Upper / 2 Lower

## Oven Performance

Microwave power – upper cavity	950 W
Bake / broil element – upper cavity	N/A
Convection element – upper cavity	N/A
Bake / broil element – lower cavity	2,400 / 3,800 W
Convection element – lower cavity	2,000 W

## Technical Details

Watts	9,600 W
Circuit breaker	40 A
Volts; Frequency	240 / 208 V; 60 Hz
Power cord length	60"
Plug type	Fixed Connection, No Plug
Energy source	Electric



C US \*Lower wall oven only

## Dimensions & Weight

Overall appliance dimensions (HxWxD)	49" x 29 3/4" x 24 1/2"
Required cutout size – Standard (HxWxD)	48 5/8" x 28 1/2" x 23 1/2"
Required cutout size – Flush (HxWxD)	49 1/8" x 30" x 24 1/2"
Microwave cavity size – upper	1.6 cu. ft.
Overall upper microwave interior dimensions (HxWxD)	9 7/8" x 16 1/2" x 16 1/2"
Glass turntable diameter	14 1/8" dia.
Oven cavity size – lower	4.6 cu. ft.
Overall lower oven interior dimensions (HxWxD)	17 13/16" x 24 1/8" x 18"
Usable lower oven interior dimensions (HxWxD)	12 1/4" x 23 1/4" x 15 1/4"
Net weight	259 lbs

## Accessories – Included

Upper Oven: Glass Turntable  
Lower Oven: 1 Telescopic and 2 Standard Oven Racks, Temperature Probe

## Accessories – Optional



**HEZTR301**  
30" Telescopic Rack



**00449757**  
Broiler Pan



**00798845**  
30" Flat Rack

**Accessories:** To purchase Bosch accessories, cleaners & parts please visit [www.bosch-home.com/us/store](http://www.bosch-home.com/us/store) or call 1-800-944-2904 (Mon to Fri 5 am to 6 pm PST, Sat 6 am to 3 pm PST).

**Notes:** All height, width and depth dimensions are shown in inches. BSH reserves the absolute and unrestricted right to change product materials and specifications, at any time, without notice. Consult the product's installation instructions for final dimensional data and other details prior to making cutout.

**Warranties:** Please see Use & Care manual or Bosch website for statement of limited warranty.

**For more information on our entire line of products, go to [www.bosch-home.com/us](http://www.bosch-home.com/us) or call 1-800-944-2904**

© BSH Home Appliances Corporation. All rights reserved. Bosch is a registered trademark of Robert Bosch GmbH.

# 30" Microwave Combination Oven

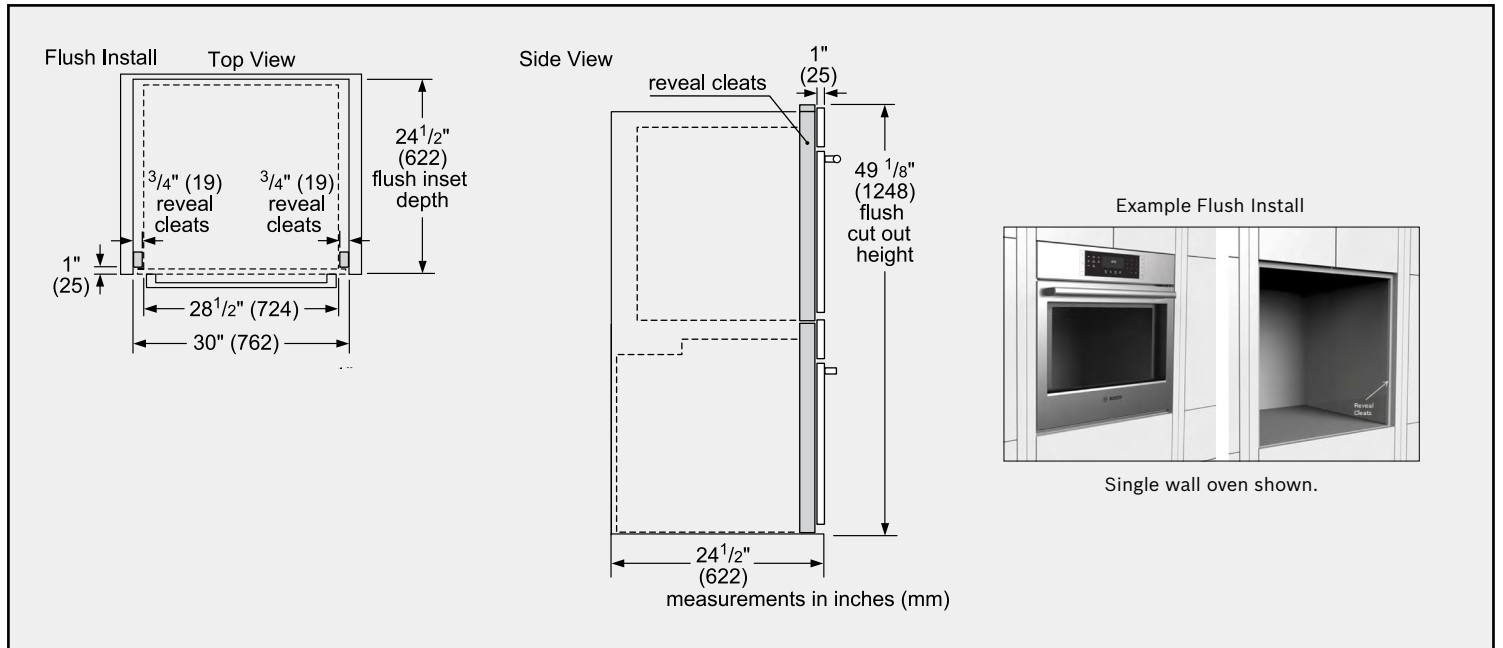
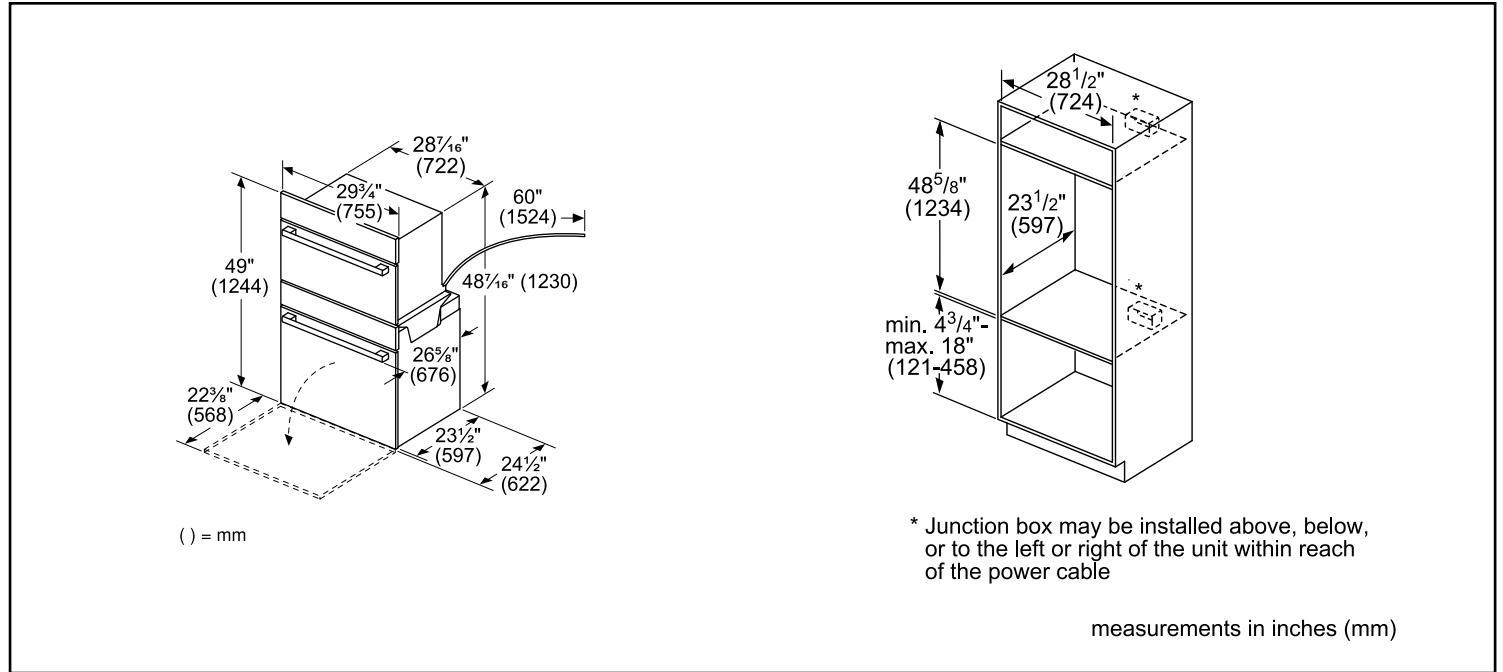
800 Series – Stainless Steel HBL87M53UC



**BOSCH**

Invented for life

## Installation Details



**Accessories:** To purchase Bosch accessories, cleaners & parts please visit [www.bosch-home.com/us/store](http://www.bosch-home.com/us/store) or call 1-800-944-2904 (Mon to Fri 5 am to 6 pm PST, Sat 6 am to 3 pm PST).

**Notes:** All height, width and depth dimensions are shown in inches. BSH reserves the absolute and unrestricted right to change product materials and specifications, at any time, without notice. Consult the product's installation instructions for final dimensional data and other details prior to making cutout.

**Warranties:** Please see Use & Care manual or Bosch website for statement of limited warranty.

**For more information on our entire line of products, go to [www.bosch-home.com/us](http://www.bosch-home.com/us) or call 1-800-944-2904**

© BSH Home Appliances Corporation. All rights reserved. Bosch is a registered trademark of Robert Bosch GmbH.

# 30" Microwave Combination Oven

800 Series – Stainless Steel HBL87M53UC

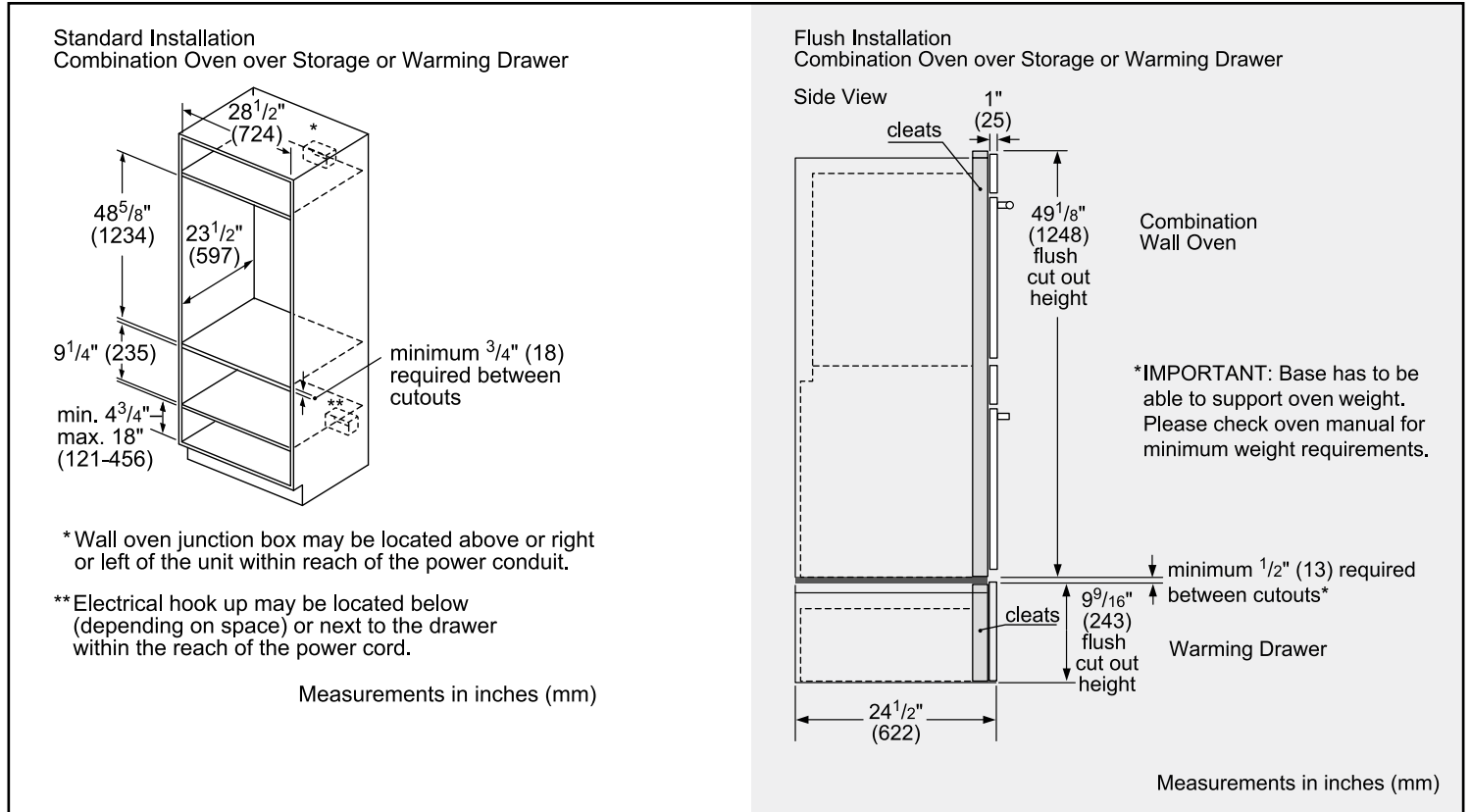


**BOSCH**

Invented for life



## Installation Details



**Accessories:** To purchase Bosch accessories, cleaners & parts please visit [www.bosch-home.com/us/store](http://www.bosch-home.com/us/store) or call 1-800-944-2904 (Mon to Fri 5 am to 6 pm PST, Sat 6 am to 3 pm PST).

**Notes:** All height, width and depth dimensions are shown in inches. BSH reserves the absolute and unrestricted right to change product materials and specifications, at any time, without notice. Consult the product's installation instructions for final dimensional data and other details prior to making cutout.

**Warranties:** Please see Use & Care manual or Bosch website for statement of limited warranty.

**For more information on our entire line of products, go to [www.bosch-home.com/us](http://www.bosch-home.com/us) or call 1-800-944-2904**

© BSH Home Appliances Corporation. All rights reserved. Bosch is a registered trademark of Robert Bosch GmbH.