

H 7660 BP AM

24" oven

in a perfectly combinable design with roast probe and BrilliantLight.



- Touch display with proximity sensor – M Touch S + MotionReact
- Minimal cleaning effort – Self Clean and Self Clean ready
- Beautifully light dough and browned crusts – Moisture Plus
- Ensures your food won't overcook – TasteControl
- Network-enabled WiFi appliance – Miele@home

EAN: 4002516483823 / Material number: 11804810 / Old Material Number: 22766045USA

| Construction type and design | |
|--|-------------------|
| Built-in wall oven | • |
| PureLine | • |
| Appliance color | Clean Touch Steel |
| Convenience features | |
| TasteControl | • |
| Rapid PreHeat | • |
| Roast probe | wired |
| Keep-warm function | • |
| Crisp function | • |
| Operating modes | |
| Defrost | • |
| MasterChef automatic programs | • |
| Auto roast | • |
| Broiling operating modes | • |
| Maxi Broil | • |
| Broil | • |
| Intensive Bake | • |
| Moisture Plus | • |
| Moisture Plus with Convection Bake | • |
| Moisture Plus with Surround | • |
| Moisture Plus with Intensive | • |
| Moisture Plus with AutoRoast | • |
| Slow roast | • |
| Surround | • |
| Browning | • |
| Bake | • |
| Convection Roast | • |
| Special modes | • |
| User convenience | |
| Networking with Miele@home | • |
| Control panel | M Touch S Display |
| MotionReact: Light comes on when movement is detected | • |
| MotionReact: Display comes on when movement is detected | • |
| MotionReact: Audible signal to acknowledge when movement is detected | • |
| MotionReact: Detection of cabinet fronts | • |
| SoftOpen | • |
| SoftClose | • |
| MultiLingua | • |
| MyMiele | • |
| Show me how | • |
| Timed bursts of steam | • |
| Time of day display | • |
| Time synchronization | • |
| Date display | • |
| Minute minder | • |
| Programming start of cooking duration | • |
| Programming end of cooking duration | • |

H 7660 BP AM

24" oven

in a perfectly combinable design with roast probe and BrilliantLight.



EAN: 4002516483823 / Material number: 11804810 / Old Material Number: 22766045USA

| | |
|--|-----------------|
| Programmable cooking time | • |
| Actual temperature display | • |
| Audible signal when desired temperature is reached | • |
| Default temperature | • |
| Favorites | • |
| Sabbath program | • |
| Individual settings | • |
| Intake pipe for collecting water | • |
| Efficiency and sustainability | |
| Automatic residual heat utilization | • |
| Cleaning convenience | |
| Clean Touch Steel surface | • |
| Self-cleaning | • |
| Catalyzer | • |
| Foldable broil heater element | • |
| CleanGlass door | • |
| Safety | |
| Appliance cooling system and cool touch front | • |
| Safety cut-out | • |
| System lock | • |
| Door lock during self cleaning | • |
| Sensor lock | • |
| Technical data | |
| Cavity volume in cu.ft (l) | 2.97 (84) |
| No. of rack levels | 5 |
| Number of shelf levels oven compartment 1 | 5 |
| Number of shelf levels oven compartment 2 | 5 |
| Labeling of rack levels | • |
| Oven interior lighting | 1 halogen spot |
| Temperatures in °F (°C) | 85-575 (30-300) |
| Niche width min. in inches (mm) | 22 1/8 (560) |
| Niche width max. in inches (mm) | 22 3/8 (568) |
| Niche height min. in inches (mm) | 23 1/4 (590) |
| Niche height max. in inches (mm) | 23 1/2 (595) |
| Niche depth in in. (mm) | 21 3/4 (550) |
| Appliance dimensions (W x H x D) in inches (mm) | |
| Appliance width in in. (mm) | 23 1/2 (595) |
| Appliance height in in. (mm) | 23 1/2 (596) |
| Appliance depth in in. (mm) | 22 1/2 (569) |
| Weight in lbs. (kg) | 103 (46.5) |
| Weight in lbs. (kg) | 102.52 (46.5) |
| Weight in lbs. (kg) | 103 (46.5) |
| Total connected load in kW | 5.40 |
| Power Rating in V | 120 |
| Voltage in V | 240/208 |
| Frequency in Hz | 60 |
| Fuse rating in A | 30 |
| Number of phases | 1 |
| Connection wire with plug | • |
| Length of power cord in in. (m) | 1.80 |

H 7660 BP AM

24" oven

in a perfectly combinable design with roast probe and BrilliantLight.



EAN: 4002516483823 / Material number: 11804810 / Old Material Number: 22766045USA

Standard accessories

| | |
|--|---|
| PerfectClean universal baking tray | 1 |
| Self Clean ready baking and roasting rack | 2 |
| Self-Clean-ready FlexiClip telescopic runners (pair) | 1 |
| Removable Self Clean-ready side racks (pair) | 1 |
| Grilling and roasting insert with PerfectClean | 1 |
| Descaling tablets | 2 |

Available display languages

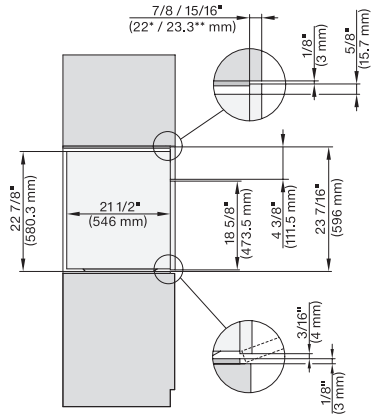
Available display languages via MultiLingua

bahasa malaysia, dansk,
deutsch, english, español,
français, hrvatski, italiano,
magyar, nederlands,
norsk, polski, português,
русский, română,
slovenčina, slovenščina,
srpski, suomi, svenska,
türkçe, українська, čeština,
ελληνικά,

H 7660 BP AM

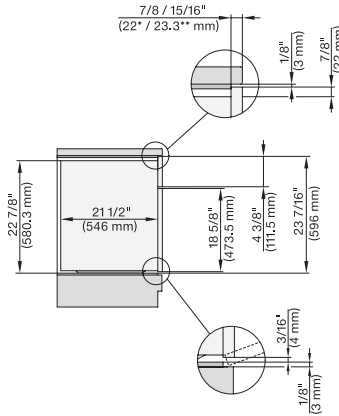
24" oven

in a perfectly combinable design with roast probe and BrilliantLight.



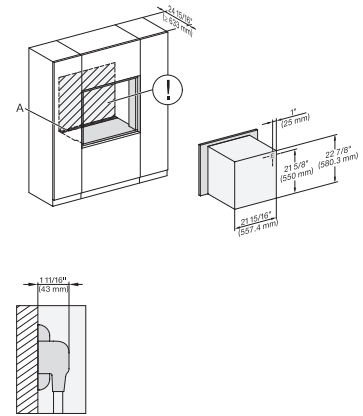
side view, 30 inch Flush inset 650S, installation drawing, NA

7/8" – 22" mm – Glas, 15/16" – 23.3** mm – Edelstahl



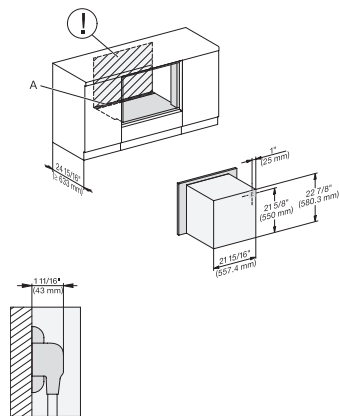
side view 30 inch Flush inset built-under 650S, installation drawing, NA

7/8" – 22" mm – Glas, 15/16" – 23.3** mm – Edelstahl



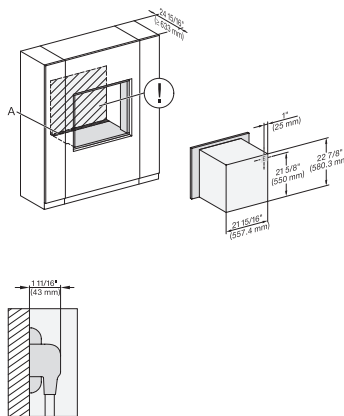
installation 30 inch Flush inset 650S, installation drawing, NA

A – Cut-out (4" x 28" / 100 mm x 720 mm) in the bottom of the cabinet for power cord and ventilation. – Electrical and water supplies are recommended to be placed in adjacent cabinetry. Additional cabinet depth is required when placing the electrical and water supplies behind the appliance. E = Electric connection



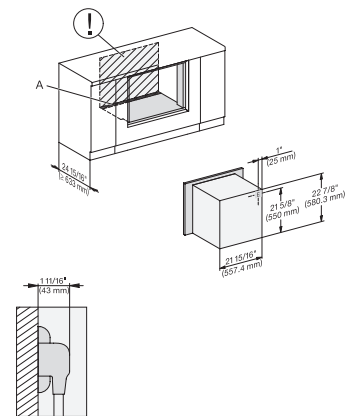
installation 30 inch Flush inset built-under 650S, installation drawing, NA

A – Cut-out (4" x 28" / 100 mm x 720 mm) in the bottom of the cabinet for power cord and ventilation. – Electrical and water supplies are recommended to be placed in adjacent cabinetry. Additional cabinet depth is required when placing the electrical and water supplies behind the appliance. E = Electric connection,



installation 30 inch Flush inset wide front 650S, installation drawing, NA

A – Cut-out (4" x 28" / 100 mm x 720 mm) in the bottom of the cabinet for power cord and ventilation. – Electrical and water supplies are recommended to be placed in adjacent cabinetry. Additional cabinet depth is required when placing the electrical and water supplies behind the appliance. E = Electric connection



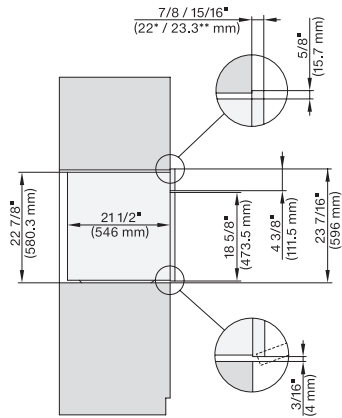
installation 30 inch Flush inset built-under wide front 650S, installation drawing, NA

A – Cut-out (4" x 28" / 100 mm x 720 mm) in the bottom of the cabinet for power cord and ventilation. – Electrical and water supplies are recommended to be placed in adjacent cabinetry. Additional cabinet depth is required when placing the electrical and water supplies behind the appliance. E = Electric connection,

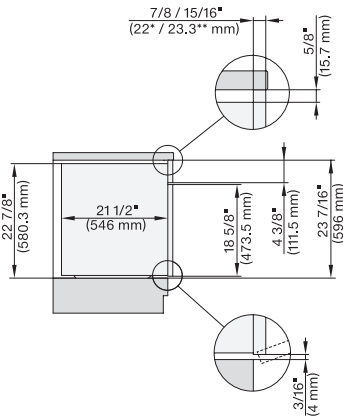
H 7660 BP AM

24" oven

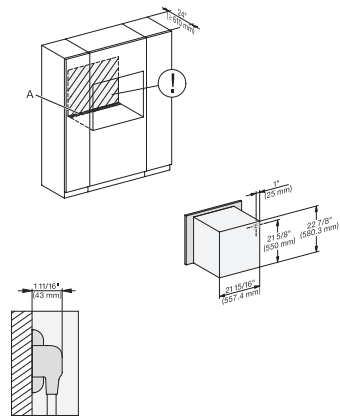
in a perfectly combinable design with roast probe and BrilliantLight.



side view 30 inch Proud 650S, installation drawing, NA
7/8" – 22* mm – Glas, 15/16" – 23.3** mm – Edelstahl

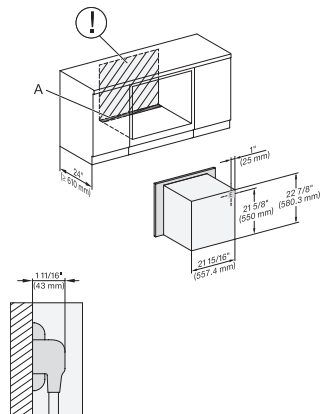


side view 30 inch Proud built-under 650S, installation drawing, NA
7/8" – 22* mm – Glas, 15/16" – 23.3** mm – Edelstahl



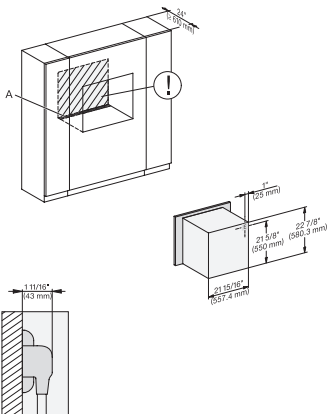
installation 30 inch Proud 650S, installation drawing, NA

A – Cut-out (4" x 28" / 100 mm x 720 mm) in the bottom of the cabinet for power cord and ventilation, – Electrical and water supplies are recommended to be placed in adjacent cabinetry., Additional cabinet depth is required when placing the electrical and water supplies behind the appliance., E = Electric connection



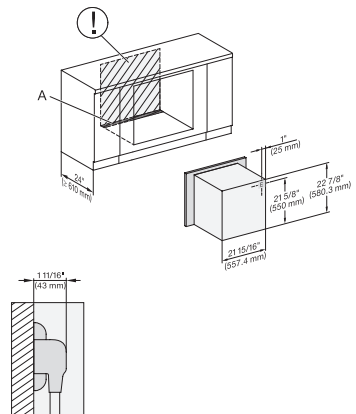
installation 30 inch Proud built-under 650S, installation drawing, NA

A – Cut-out (4" x 28" / 100 mm x 720 mm) in the bottom of the cabinet for power cord and ventilation, – Electrical and water supplies are recommended to be placed in adjacent cabinetry., Additional cabinet depth is required when placing the electrical and water supplies behind the appliance., E = Electric connection,



installation 30 inch Proud wide front 650S, installation drawing, NA

A – Cut-out (4" x 28" / 100 mm x 720 mm) in the bottom of the cabinet for power cord and ventilation, – Electrical and water supplies are recommended to be placed in adjacent cabinetry., Additional cabinet depth is required when placing the electrical and water supplies behind the appliance., E = Electric connection



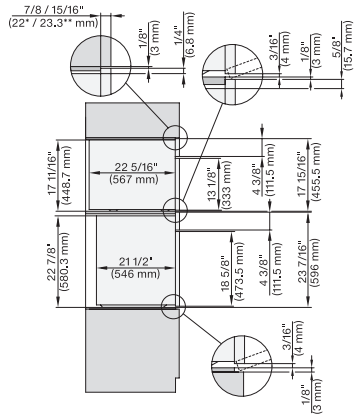
installation 30 inch Proud built-under wide front 650S, installation drawing, NA

A – Cut-out (4" x 28" / 100 mm x 720 mm) in the bottom of the cabinet for power cord and ventilation, – Electrical and water supplies are recommended to be placed in adjacent cabinetry., Additional cabinet depth is required when placing the electrical and water supplies behind the appliance., E = Electric connection,

H 7660 BP AM

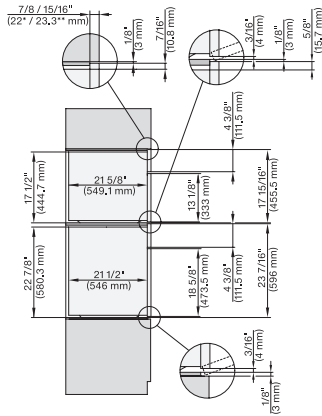
24" oven

in a perfectly combinable design with roast probe and BrilliantLight.



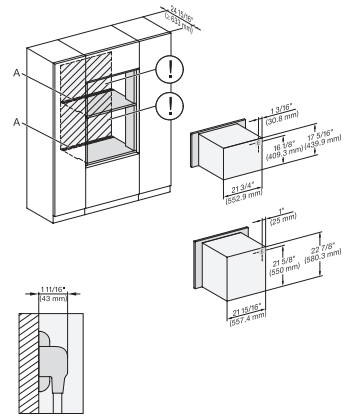
DGC6x00-1+EBA 6808, H 6560B+EBA 6808, H 6x60 BP+EBA6808, DGC7xxx, H7xxx, EBA78x8 Combi, Install. drawi., Flush inset, NA

7/8" – 22" mm – Glas, 15/16" – 23.3" mm – Edelstahl



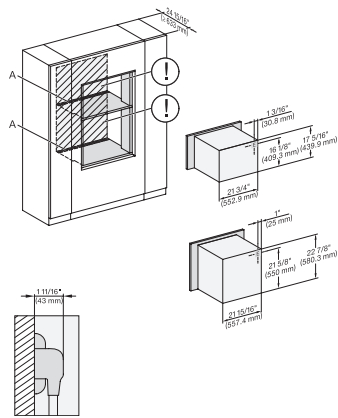
H 6560 B + EBA 6808, H 6x60 BP + EBA 6808, H 6x00 BM + EBA 6808, H7xxx, EBA 78x8 Combi, Install drawing, Flush inset, NA

7/8" – 22" mm – Glas, 15/16" – 23.3" mm – Edelstahl



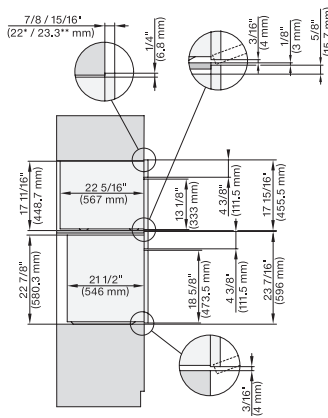
H 6560 B + EBA 6808, H 6x60 BP + EBA 6808, H 6x00 BM, H 7xxx, EBA 78x8, Installation drawing, Flush inset, NA

A – Cut-out (4" x 28" / 100 mm x 720 mm) in the bottom of the cabinet for power cord and ventilation, – Electrical and water supplies are recommended to be placed in adjacent cabinetry., Additional cabinet depth is required when placing the electrical and water supplies behind the appliance., E = Electric connection



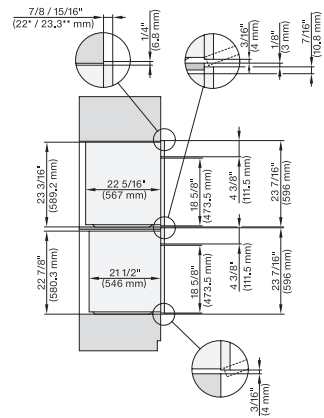
H 6560 B + EBA 6808, H 6x60 BP, H 6x00 BM, H 7xxx BM/BP, EBA 78x8, Installation drawing, Flush inset, NA

A – Cut-out (4" x 28" / 100 mm x 720 mm) in the bottom of the cabinet for power cord and ventilation, – Electrical and water supplies are recommended to be placed in adjacent cabinetry., Additional cabinet depth is required when placing the electrical and water supplies behind the appliance., E = Electric connection



DGCxxxx-1+EBAx8x8, H6560B+EBA6808, HxxxBP+EBAx8x8, Combi, Installation Drawing, Proud, Flush inset, NA

7/8" – 22" mm – Glas, 15/16" – 23.3" mm – Edelstahl



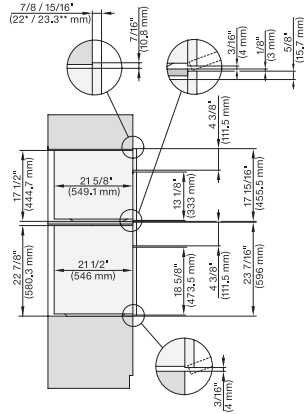
DGC6x6(AM)+EBA6808, H6560B+EBA6808, H6x60BP+EBA6808, (DGC786x, H7x6xBP)+EBA7868, Combi, Installation drawing, Proud, NA

7/8" – 22" mm – Glas, 15/16" – 23.3" mm – Edelstahl

H 7660 BP AM

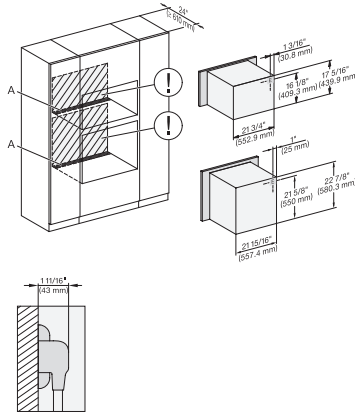
24" oven

in a perfectly combinable design with roast probe and BrilliantLight.



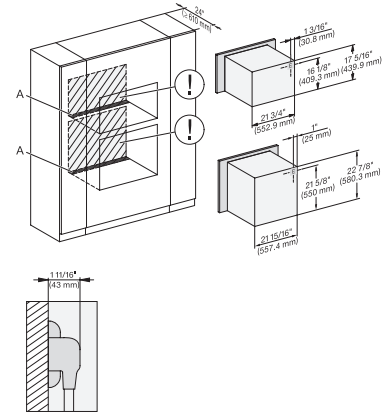
H 6560 B + EBA 6808, H 6x60 BP + EBA 6808, H 6x00 BM + EBA 6808, H7xxx+EBA7x7x, Combi, Installation drawing, Proud, NA

7/8" – 22" mm – Glas, 15/16" – 23.3" mm – Edelstahl



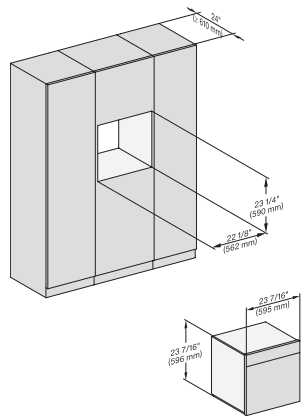
H 6560 B + EBA 6808, H 6x60 BP + EBA6808, H6x00BM + EBA6808, NA7000 Installation Combi, Installation drawing, Proud, NA

A – Cut-out (4" x 28" / 100 mm x 720 mm) in the bottom of the cabinet for power cord and ventilation, – Electrical and water supplies are recommended to be placed in adjacent cabinetry., Additional cabinet depth is required when placing the electrical and water supplies behind the appliance., E = Electric connection

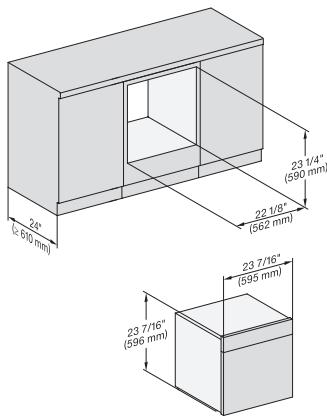


(H6560B, H6x60BP, H6x00BM) + EBA6808, NA7000 Installation Combi wide front, Installation drawing, Proud, NA

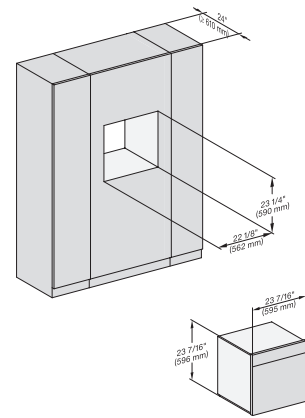
A – Cut-out (4" x 28" / 100 mm x 720 mm) in the bottom of the cabinet for power cord and ventilation, – Electrical and water supplies are recommended to be placed in adjacent cabinetry., Additional cabinet depth is required when placing the electrical and water supplies behind the appliance., E = Electric connection



installation Proud 650S, installation drawing, NA



installation Proud build-under 650S, installation drawing, NA

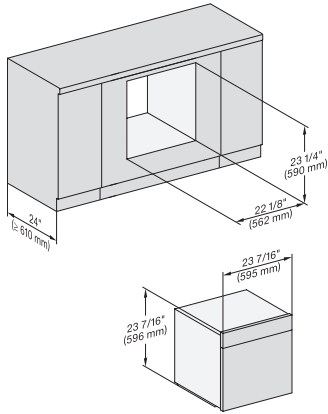


installation Proud wide front 650S, installation drawing, NA

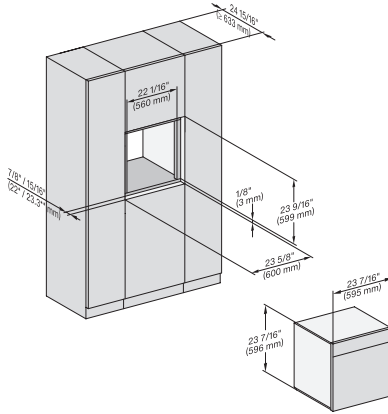
H 7660 BP AM

24" oven

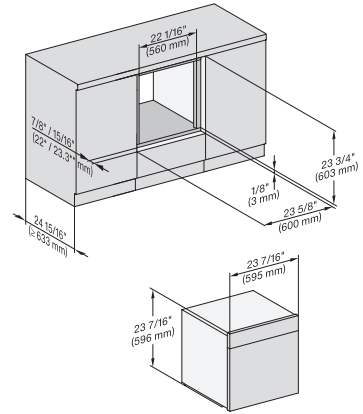
in a perfectly combinable design with roast probe and BrilliantLight.



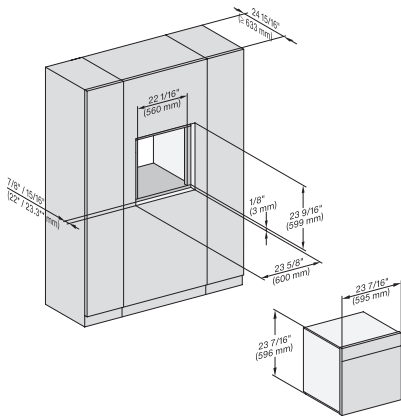
installation Proud built-under wide front 650S, installation drawing, NA



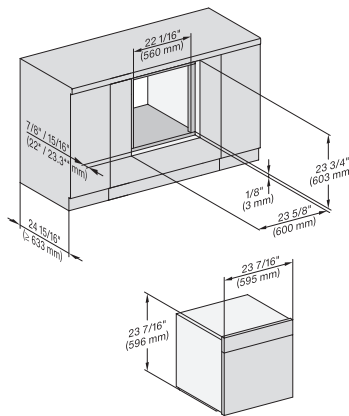
installation Flush inset 650S, installation drawing, NA
7/8" – 22* mm – Glass, 15/16" – 23.3** mm – Stainless steel



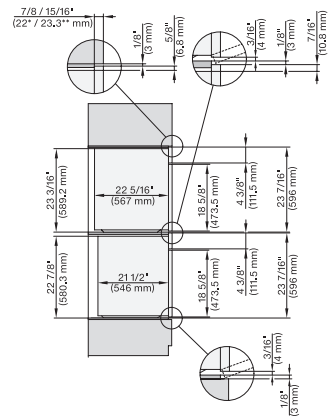
installation Flush inset built-under 650S, installation drawing, NA
7/8" – 22* mm – Glass, 15/16" – 23.3** mm – Stainless steel



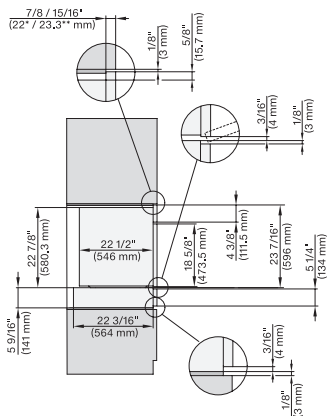
installation Flush inset breite Front 650S, installation drawing, NA
7/8" – 22* mm – Glass, 15/16" – 23.3** mm – Stainless steel



installation Flush inset built-under wide front 650S, Skizze, NA
7/8" – 22* mm – Glass, 15/16" – 23.3** mm – Stainless steel

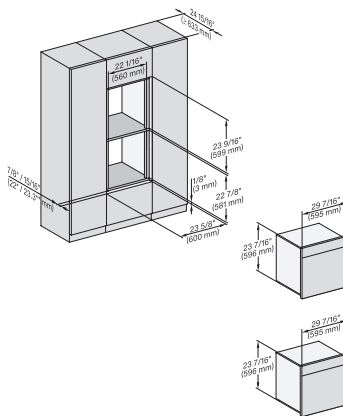


DGC786x(+EBA7848), H7x6xBP(+EBA7848), side view, 30 Zoll, Flush inset, combi, XXL, 650S
7/8" – 22* mm – Glass, 15/16" – 23.3** mm – Stainless steel



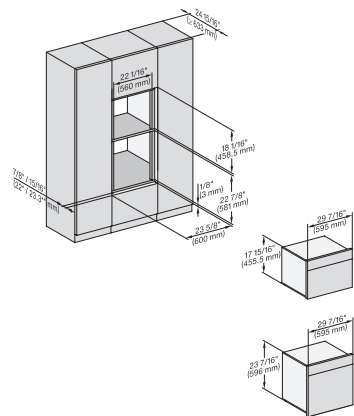
H7x6xBP+EBA7848, ESW7x10, EVS7010, side view, 30 Zoll, Flush inset, combi, 650S, ESW

7/8" – 22* mm – Glass, 15/16" – 23.3** mm – Stainless steel



DGC786x, H7x6xBP, Einbau, 30 Zoll, Flush inset, combi, XXL 650S

7/8" – 22* mm – Glass, 15/16" – 23.3** mm – Stainless steel



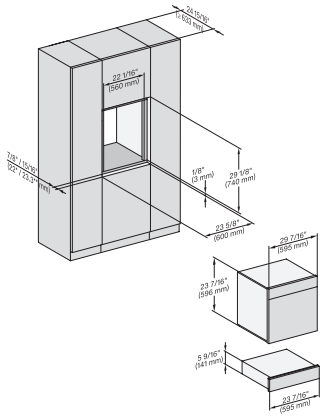
DGC7x4x, H7x40BM, H7x6xBP, Einbau, 30 Zoll Flush inset, combi, 650S, 450S

7/8" – 22* mm – Glass, 15/16" – 23.3** mm – Stainless steel

H 7660 BP AM

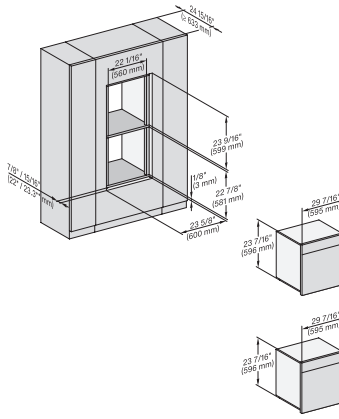
24" oven

in a perfectly combinable design with roast probe and BrilliantLight.



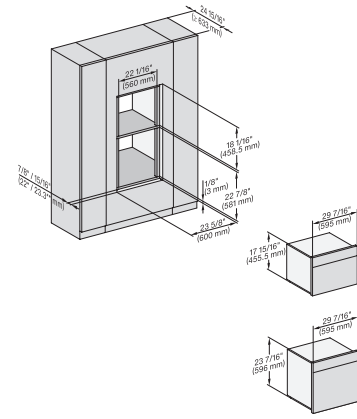
H7x6xBP+EBA7848, ESW7x10, EVS7010, Einbau, 30 Zoll, Flush inset, combi, 650S, ESW

7/8" – 22" mm – Glass, 15/16" – 23.3** mm – Stainless steel



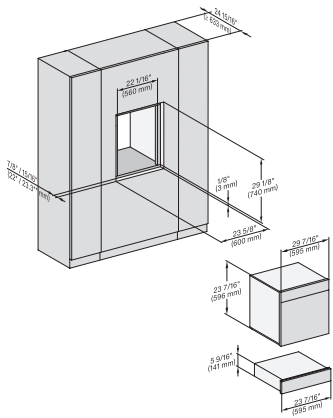
DGC786x, H7x6xBP, Einbau, 30 Zoll, Flush inset, combi, wide front, XXL, 650S

7/8" – 22" mm – Glass, 15/16" – 23.3** mm – Stainless steel



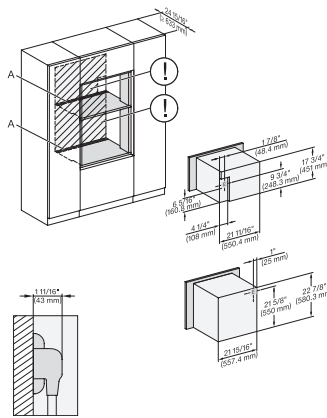
DGC7xxx, H7x40BM, H7x6xBP, Einbau, 30 Zoll, Flush inset, combi, wide front, 650S, 450S

7/8" – 22" mm – Glass, 15/16" – 23.3** mm – Stainless steel



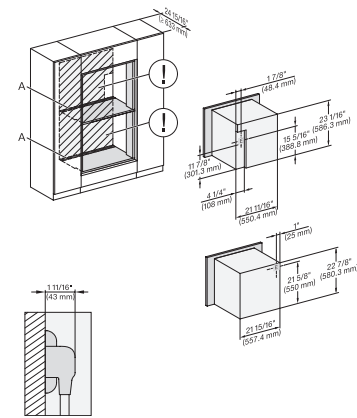
H7x6x+EBA7868, ESW7x10, EVS7010, Einbau, 30 Zoll, Flush inset, wide front, 650S

7/8" – 22" mm – Glass, 15/16" – 23.3** mm – Stainless steel



DGC7x4x(+EBA7848), H7x6xBP(+EBA7848), Installation, 30 Zoll, Flush inset, combi, XL, 650S

A – Cut-out (4" x 28" / 100 mm x 720 mm) in the bottom of the cabinet for power cord and ventilation, – Electrical and water supplies are recommended to be placed in adjacent cabinetry., Additional cabinet depth is required when placing the electrical and water supplies behind the appliance., E = Electric connection



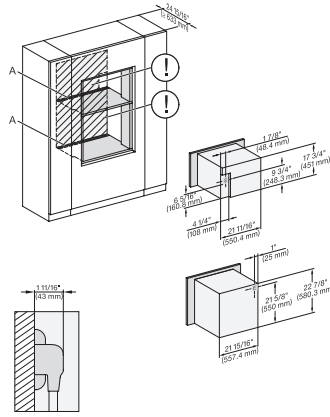
DGC786x+EBA7868, H7x6xBP(+EBA7848), Installation, 30 Zoll, Flush inset, combi, XXL, 650S

A – Cut-out (4" x 28" / 100 mm x 720 mm) in the bottom of the cabinet for power cord and ventilation, – Electrical and water supplies are recommended to be placed in adjacent cabinetry., Additional cabinet depth is required when placing the electrical and water supplies behind the appliance., E = Electric connection

H 7660 BP AM

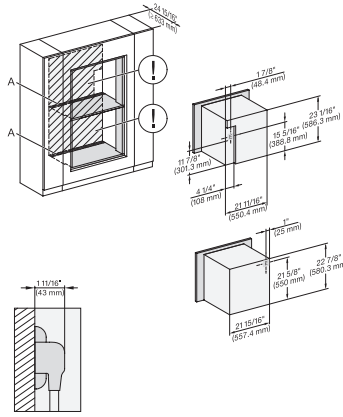
24" oven

in a perfectly combinable design with roast probe and BrilliantLight.



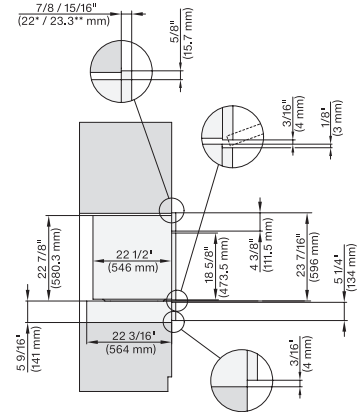
DGC7x4x(+EBA7848), H7x6x(+EBA7848), Installation, 30 Zoll, flush inset, combi, wide front, XL, 650S

A – Cut-out (4" x 28" / 100 mm x 720 mm) in the bottom of the cabinet for power cord and ventilation. – Electrical and water supplies are recommended to be placed in adjacent cabinetry. Additional cabinet depth is required when placing the electrical and water supplies behind the appliance. E = Electric connection



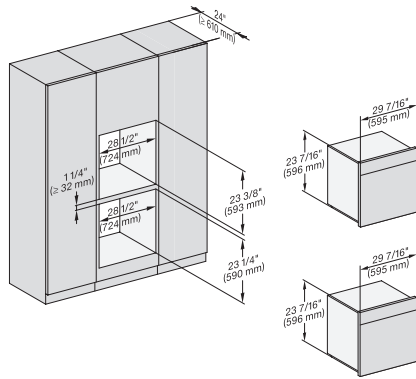
DGC786x(+EBA7848), H7x6xBP(+EBA7848), Installation, 30 Zoll, Flush inset, combi, wide front, 650S, XXL

A – Cut-out (4" x 28" / 100 mm x 720 mm) in the bottom of the cabinet for power cord and ventilation. – Electrical and water supplies are recommended to be placed in adjacent cabinetry. Additional cabinet depth is required when placing the electrical and water supplies behind the appliance. E = Electric connection



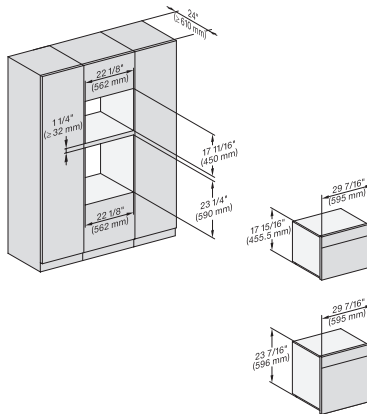
H7x6xBP+EBA7848, ESW7x10, EVS7010, side view, 30 Zoll, Proud, combi, 650S

7/8" – 22" mm – Glass, 15/16" – 23.3** mm – Stainless steel



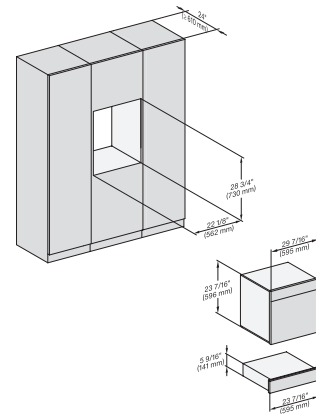
DGC786x, H7x6xBP, Einbau, 30 Zoll, Proud, combi, XXL, 650S

7/8" – 22" mm – Glass, 15/16" – 23.3** mm – Stainless steel



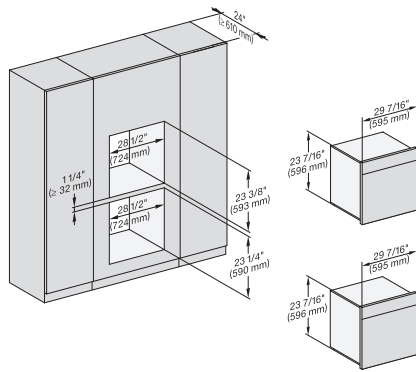
DGC7xxx, H7x4xBM, H7x6xBP, Einbau, 30 Zoll, Proud, combi, 650S, 450S

7/8" – 22" mm – Glass, 15/16" – 23.3** mm – Stainless steel

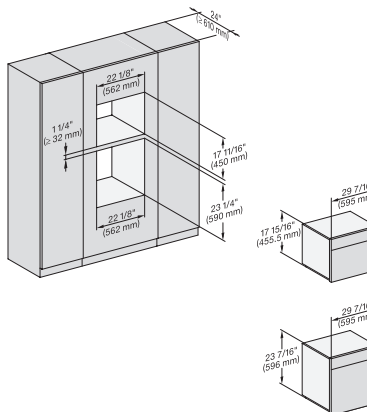


H7x6xBP+EBA7848, ESW7x10, EVS7010, Einbau, 30 Zoll, Proud, combi, 650S

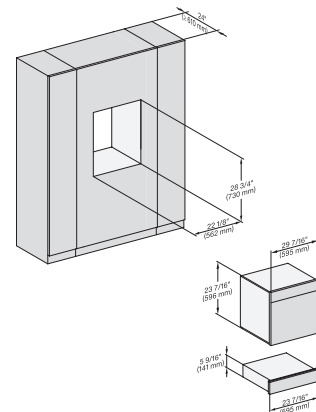
7/8" – 22" mm – Glass, 15/16" – 23.3** mm – Stainless steel



DGC786x, H7x6xBP, Einbau, 30 Zoll, Proud, combi, wide front, XXL



DGC7x4x, H7x4x0BM, H7x6xBP, Einbau, 30 Zoll, Proud, combi, wide front, 650S, 450S

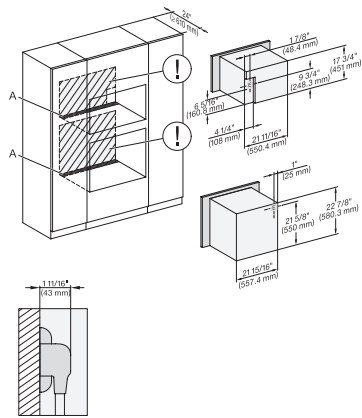


H7x6xBP+EBA7848, ESW7x10, EVS7010, Einbau, 30 Zoll, Proud, combi, wide front, 650S

H 7660 BP AM

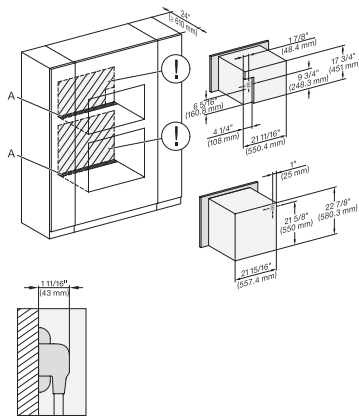
24" oven

in a perfectly combinable design with roast probe and BrilliantLight.



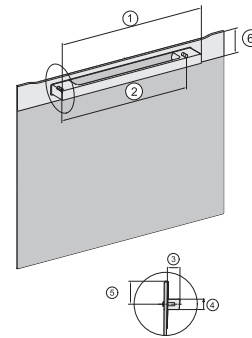
DGC7x4x(+EBA7848), H7x6x(+EBA7848), Installation, 30 Zoll, Proud, combi, XL, 650S

A – Cut-out (4" x 28" / 100 mm x 720 mm) in the bottom of the cabinet for power cord and ventilation. – Electrical and water supplies are recommended to be placed in adjacent cabinetry. Additional cabinet depth is required when placing the electrical and water supplies behind the appliance. E = Electric connection



DGC7x4x(+EBA7848), H7x6xBP(+EBA7848), Installation, 30 Zoll, Proud, combi, wide front, 650S

A – Cut-out (4" x 28" / 100 mm x 720 mm) in the bottom of the cabinet for power cord and ventilation. – Electrical and water supplies are recommended to be placed in adjacent cabinetry. Additional cabinet depth is required when placing the electrical and water supplies behind the appliance. E = Electric connection



Handle H72xx, H76xx, H78xx, PureLine – NA7000 - Installation drawing

H2880BP, H7270BM, H7670BM, H7870BM, H7280BP, H7680BP, H7880BP, H7880BP2.; 19 11/16" / 500 mm, 17 1/2" / 444 mm, 1 7/8" / 47 mm, 15/16" / 24 mm, 1 1/4" / 32,5 mm, 2 9/16" / 65 mm, H7240BM, H7640BM, H7840BM, H7263BP, H7660BP.; 15 3/4" / 400 mm, 14 3/16" / 360 mm, 1 7/8" / 47 mm, 15/16" / 24 mm, 1 1/4" / 32,5 mm, 2 9/16" / 65 mm