

H 7280 BP  
30 Inch Convection Oven  
with clear text display, connectivity, and Self Clean.



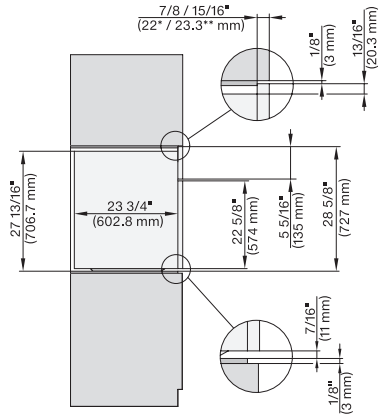
- Clear-text display with sensor controls – DirectSensor S
- Minimal cleaning effort – Self-cleaning
- Achieve perfect results with ease – Automatic programs
- Unlimited possibilities – volume of 4.59 cu. ft. on 6 levels
- Network-enabled WiFi appliance – Miele@home

EAN: 4002516487425 / Material number: 11805520 / Old Material Number: 22728035USA

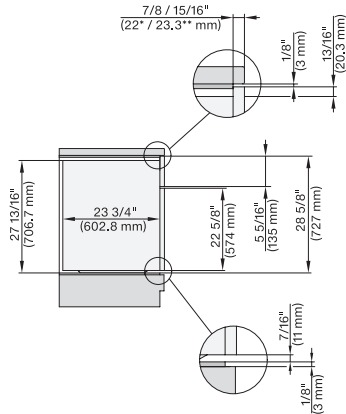
<b>Construction type and design</b>	
Built-in wall oven	•
VitroLine	•
Appliance color	Graphite grey
<b>Convenience features</b>	
Rapid PreHeat	•
<b>Operating modes</b>	
Defrost	•
MasterChef automatic programs	•
Auto roast	•
Broiling operating modes	•
Maxi Broil	•
Broil	•
Intensive Bake	•
Surround	•
Bake	•
Convection Roast	•
<b>Control panel</b>	
Individual settings	•
<b>User convenience</b>	
Networking with Miele@home	•
Control panel	DirectSensor S
SoftOpen	•
SoftClose	•
MultiLingua	•
Timers	•
Time of day display	•
Time synchronization	•
Minute minder	•
Programming start of cooking duration	•
Programming end of cooking duration	•
Programmable cooking time	•
Actual temperature display	•
Audible signal when desired temperature is reached	•
Default temperature	•
<b>Cleaning convenience</b>	
Self-cleaning	•
Catalyzer	•
CleanGlass door	•
<b>Safety</b>	
Appliance cooling system and cool touch front	•
Safety cut-out	•
System lock	•
Door lock during self cleaning	•
<b>Technical data</b>	
Cavity volume in cu.ft (l)	4.59 (130)
No. of rack levels	6
Number of shelf levels oven compartment 1	6
Number of shelf levels oven compartment 2	6
Labeling of rack levels	•



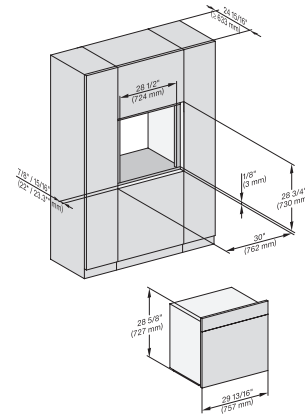
## H 7280 BP 30 Inch Convection Oven with clear text display, connectivity, and Self Clean.



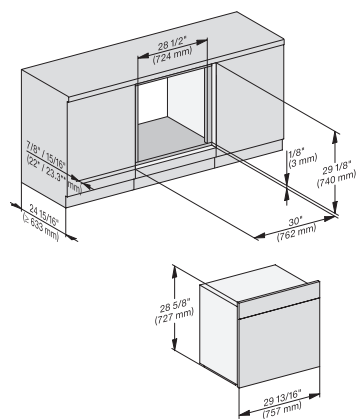
H 6x8x BP, H 6x80-2BP, H 7xxx, H 2x80 side view, installation drawing, Flush inset, NA  
7/8" – 22" mm – Glas, 15/16" – 23.3\*\* mm – Edelstahl



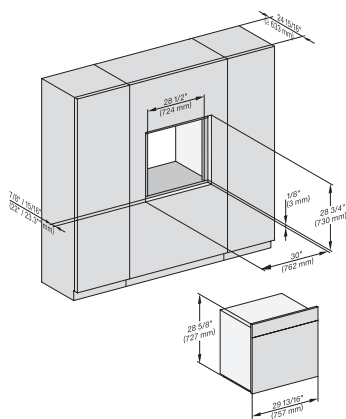
H 6x8x BP, H 6x80-2BP, H 7xxx, H2x80 side view built-under, installation drawing, Flush inset, NA  
7/8" – 22" mm – Glas, 15/16" – 23.3\*\* mm – Edelstahl



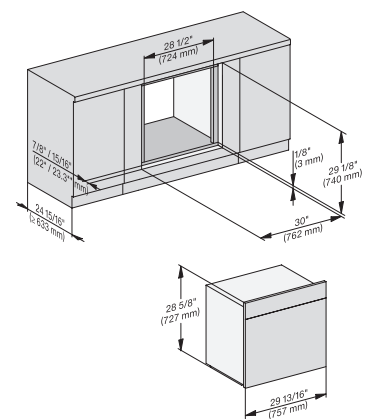
H 6x8x BP, H 6x80-2BP, DGC7xxx, H2xxx, H 7xxx fitting, installation drawing, Flush inset, NA  
7/8" – 22" mm – Glas, 15/16" – 23.3\*\* mm – Edelstahl



H 6x8x BP, H 6x80-2BP, H 2xxx, H7xxx fitting built-under, installation drawing, Flush inset, NA  
7/8" – 22" mm – Glas, 15/16" – 23.3\*\* mm – Edelstahl

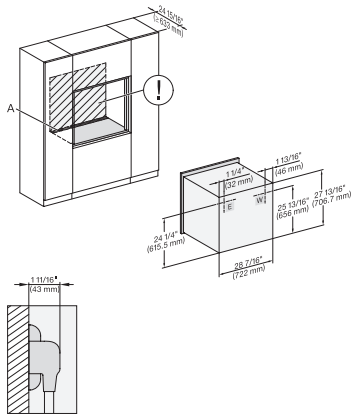


H 6x8x BP, H 6x80-2BP, DGC 7xxx, H 7xxx fitting wide front, installation drawing, Flush inset, NA  
7/8" – 22" mm – Glas, 15/16" – 23.3\*\* mm – Edelstahl



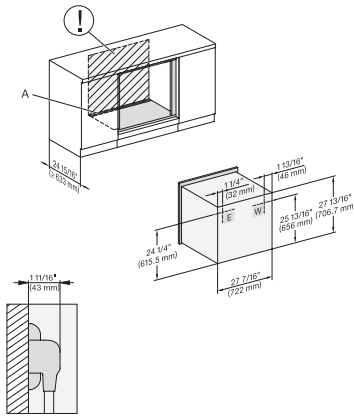
H 6x8x BP, H 6x80-2BP, H7xxx, H 2x80 fitting wide front built-under, installation drawing, Flush inset, NA  
7/8" – 22" mm – Glas, 15/16" – 23.3\*\* mm – Edelstahl

## H 7280 BP 30 Inch Convection Oven with clear text display, connectivity, and Self Clean.



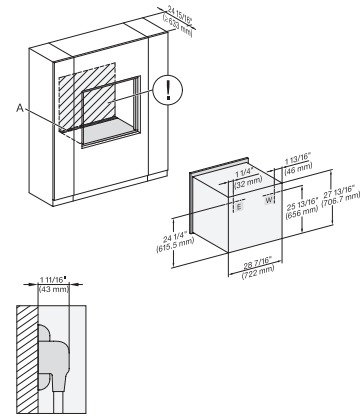
H 6x8x BP, H 6x80-2BP, H7x8BP(X) installation, installation drawing, Flush inset, NA

A – Cut-out (4" x 28" / 100 mm x 720 mm) in the bottom of the cabinet for power cord and ventilation. – Electrical and water supplies are recommended to be placed in adjacent cabinetry. Additional cabinet depth is required when placing the electrical and water supplies behind the appliance., E = Electric connection, W = Water connection



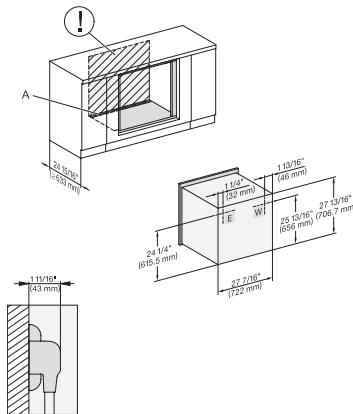
H 6x8x BP, H 6x80-2BP, H7x8BP(X), installation built-under, installation drawing, Flush inset, NA

A – Cut-out (4" x 28" / 100 mm x 720 mm) in the bottom of the cabinet for power cord and ventilation. – Electrical and water supplies are recommended to be placed in adjacent cabinetry. Additional cabinet depth is required when placing the electrical and water supplies behind the appliance., E = Electric connection, W = Water connection



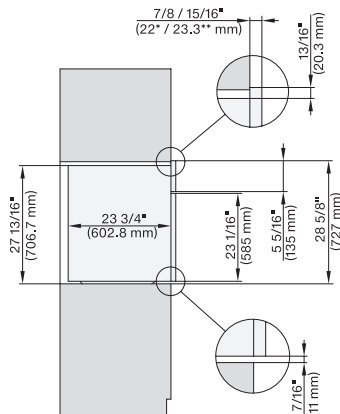
H 6x8x BP, H 6x80-2BP, H7x8BP(X), wide front installation, installation drawing, Flush inset, NA

A – Cut-out (4" x 28" / 100 mm x 720 mm) in the bottom of the cabinet for power cord and ventilation. – Electrical and water supplies are recommended to be placed in adjacent cabinetry. Additional cabinet depth is required when placing the electrical and water supplies behind the appliance., E = Electric connection, W = Water connection



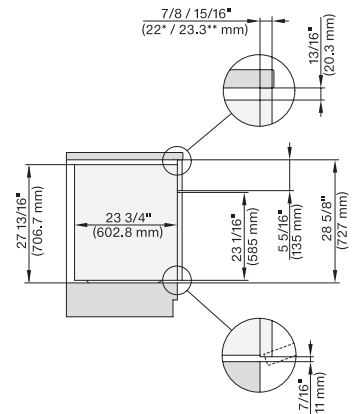
H 6x8x(7x8x BP, H 6x80-2BP, installation of built-under with wide front, installation drawing, Flush inset, NA

A – Cut-out (4" x 28" / 100 mm x 720 mm) in the bottom of the cabinet for power cord and ventilation. – Electrical and water supplies are recommended to be placed in adjacent cabinetry. Additional cabinet depth is required when placing the electrical and water supplies behind the appliance., E = Electric connection, W = Water connection



H 6x8x BP, H 6x80-2BP, H2x80BP, H7x8BP(X), side view, installation drawing, Proud, NA

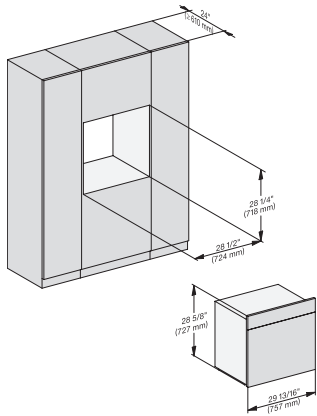
7/8" – 22 mm – Glas, 15/16" – 23.3\*\* mm – Edelstahl



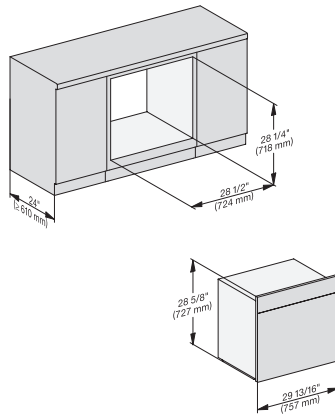
H 6x8x BP, H 6x80-2BP, H2x80BP, H7x8BP(X), side view built-under, installation drawing, Proud, NA

7/8" – 22 mm – Glas, 15/16" – 23.3\*\* mm – Edelstahl

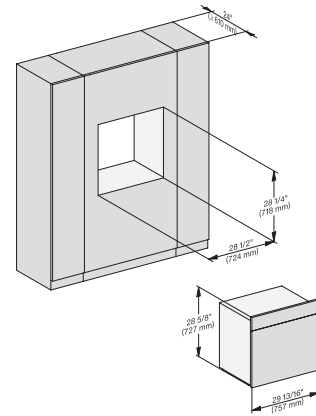
H 7280 BP  
30 Inch Convection Oven  
with clear text display, connectivity, and Self Clean.



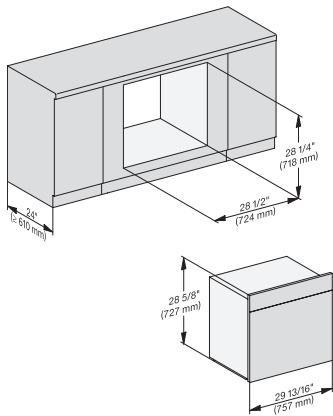
H6x8xBP, H6x80-2BP, H2x80BP, H7x8xBP(X), fitting, installation drawing, Proud, NA  
7/8" - 22" mm - Glas, 15/16" - 23.3\*\* mm - Edelstahl



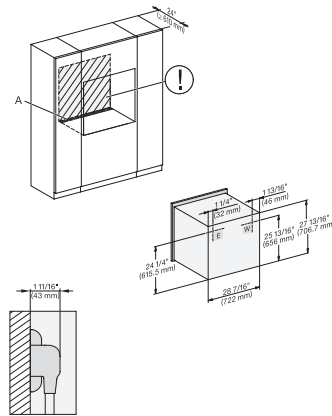
H 6x8x BP, H 6x80-2BP, H2x80BP, H7x8xBP(X), fitting built-under, installation drawing, Proud, NA  
7/8" - 22" mm - Glas, 15/16" - 23.3\*\* mm - Edelstahl



H6x8xBP, H6x80-2BP, H2x80BP, H7x8xBP(X), fitting wide front, installation drawing, Proud, NA  
7/8" - 22" mm - Glas, 15/16" - 23.3\*\* mm - Edelstahl

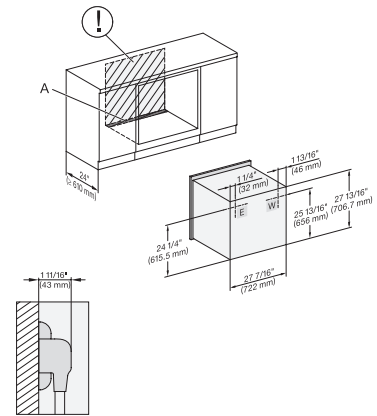


H 6x8x BP, H 6x80-2BP, H2x80BP, H7x8xBP(X), fitting wide front built-under, installation drawing, Proud, NA  
7/8" - 22" mm - Glas, 15/16" - 23.3\*\* mm - Edelstahl



H 6x8x BP, H 6x80-2BP, H 7x8xBP(X), installation, installation drawing, Proud, NA

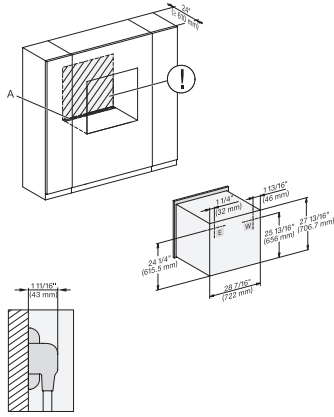
A - Cut-out (4" x 28" / 100 mm x 720 mm) in the bottom of the cabinet for power cord and ventilation, - Electrical and water supplies are recommended to be placed in adjacent cabinetry., Additional cabinet depth is required when placing the electrical and water supplies behind the appliance., E = Electric connection, W = Water connection



H 6x8x BP, H 6x80-2BP, H7x8xBP(X), installation built-under, installation drawing, Proud, NA

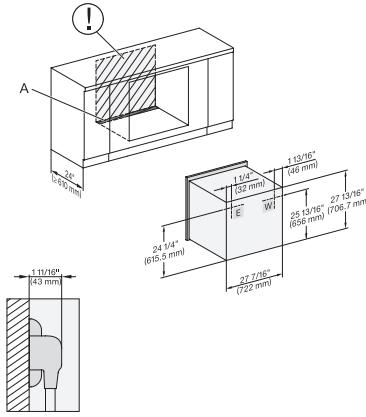
A - Cut-out (4" x 28" / 100 mm x 720 mm) in the bottom of the cabinet for power cord and ventilation, - Electrical and water supplies are recommended to be placed in adjacent cabinetry., Additional cabinet depth is required when placing the electrical and water supplies behind the appliance., E = Electric connection,

## H 7280 BP 30 Inch Convection Oven with clear text display, connectivity, and Self Clean.



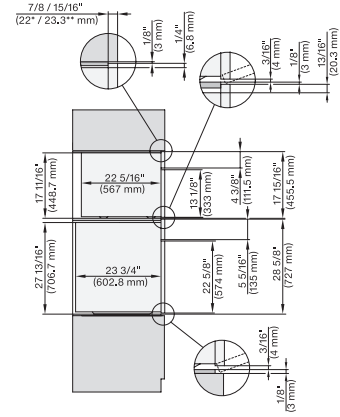
H 6x8x BP, H 6x80-2BP, H7x8xBP(X) wide front installation, installation drawing, Proud, NA

A – Cut-out (4" x 28" / 100 mm x 720 mm) in the bottom of the cabinet for power cord and ventilation. – Electrical and water supplies are recommended to be placed in adjacent cabinetry. Additional cabinet depth is required when placing the electrical and water supplies behind the appliance. E = Electric connection, W = Water connection



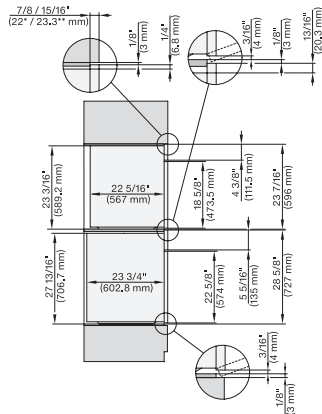
H 6x8x BP, H 6x80-2BP, H 7x8xBP, installation of build-under with wide front, installation drawing, Proud, NA

A – Cut-out (4" x 28" / 100 mm x 720 mm) in the bottom of the cabinet for power cord and ventilation. – Electrical and water supplies are recommended to be placed in adjacent cabinetry. Additional cabinet depth is required when placing the electrical and water supplies behind the appliance. E = Electric connection, W = Water connection



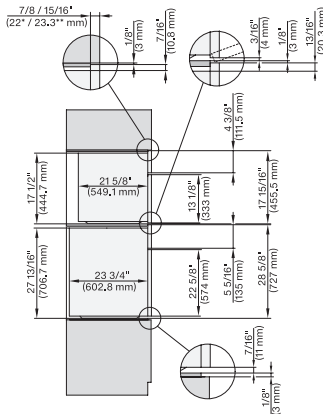
DGC 6x00-1 + EBA 6808, H 6x80 BP, H 6x80-2BP, DGC 7x4x, EBA7848, H2x80, H7xxx Combi, Install. drawing, Flush inset, NA

7/8" – 22\* mm – Glas, 15/16" – 23.3\*\* mm – Edelstahl



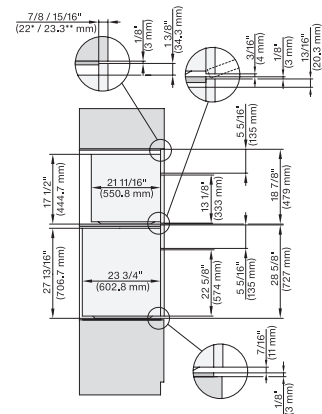
DGC 6x6x (AM), H 6x80 BP, H6x80-2BP, DGC786x, EBA7868, H7xxx, H2xxx Combi, Installation drawing, Flush inset, NA

7/8" – 22\* mm – Glas, 15/16" – 23.3\*\* mm – Edelstahl



H 6x80 BP, H 6x00 BM + EBA 6808, H 6x80-2BP, H 7xxx, EBA 7848 Combi, Installation drawing, Flush inset, NA

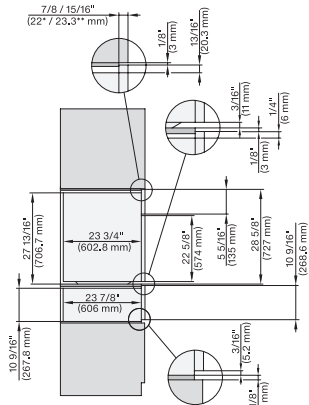
7/8" – 22\* mm – Glas, 15/16" – 23.3\*\* mm – Edelstahl



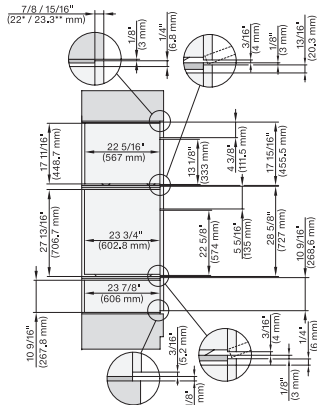
H 6x80 BP, H 6x70 BM, H 6x80-2BP, DGC 7x7x, H 7xxx Combi, Installation drawing, Flush inset, NA

7/8" – 22\* mm – Glas, 15/16" – 23.3\*\* mm – Edelstahl

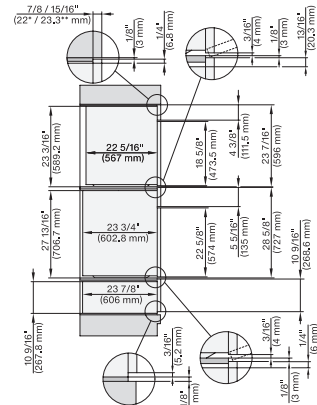
## H 7280 BP 30 Inch Convection Oven with clear text display, connectivity, and Self Clean.



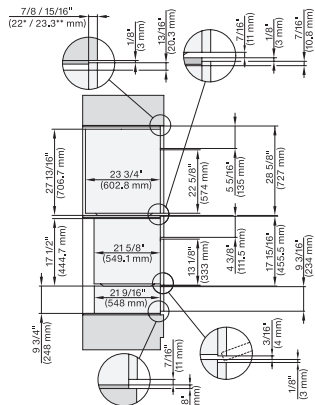
H 6x80 BP, ESW 6x80, H 6x80-2BP, H2x80, H7x80m  
ESW7x80 Combi, Installation drawing, Flush inset, NA  
7/8" – 22" mm – Glas, 15/16" – 23.3" mm – Edelstahl



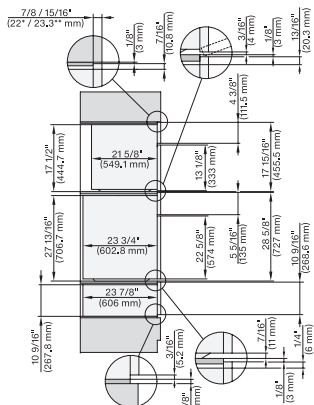
DGC 6x00+EBA 6808, H 6x80, H6x80, ESW 6x80,  
DGC7xxx, EBA7848, H2xxx, H7xxx, ESW7x80 Combi,  
Install draw, Flush inset, NA  
7/8" – 22" mm – Glas, 15/16" – 23.3" mm – Edelstahl



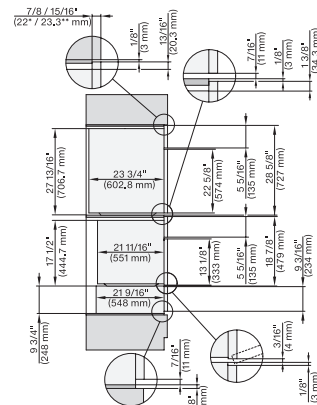
DGC 6x6x(AM)+EBA 6808, H 6x80, H6x80, ESW 6x80,  
DGC786x, EBA7868, H7x80, ESW7x80, Combi, Install  
draw, Flush inset, NA  
7/8" – 22" mm – Glas, 15/16" – 23.3" mm – Edelstahl



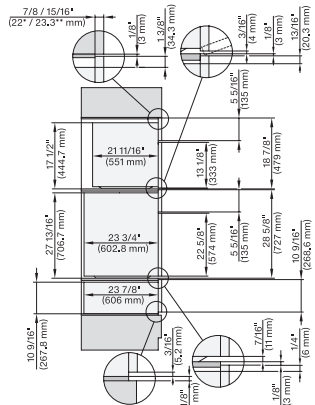
H 6x80 BP, H 6x00 BM+EBA6808, ESW 6x85, H 6x80-  
2BP, H7xxx, EBA7868, Exx7x70 Combi, Installation  
drawing, Flush inset, NA  
7/8" – 22" mm – Glas, 15/16" – 23.3" mm – Edelstahl



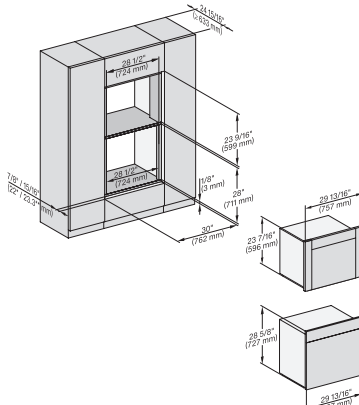
H 6x80BP, H 6x00BM + EBA6808, H 6x80-2BP, ESW  
6x80, H7xxx, EBA7868, ESW7x80 Combi, Installation  
drawing, Flush inset, NA  
7/8" – 22" mm – Glas, 15/16" – 23.3" mm – Edelstahl



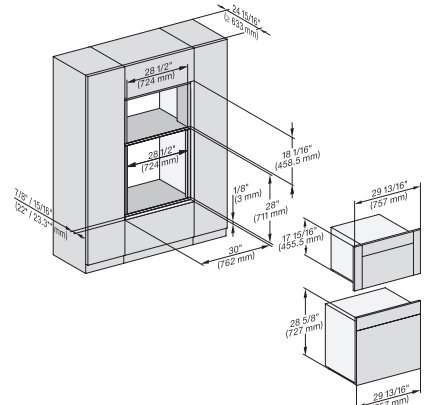
H 6x80 BP, H 6x70 BM, ESW 6x85, H 6x80-2BP, H7xxx,  
ESW 7x70, EVS7670 Combi, Installation drawing, Flush  
inset, NA  
7/8" – 22" mm – Glas, 15/16" – 23.3" mm – Edelstahl



H 6x80 BP, H 6x70 BM, ESW 6x80, H 6x80-2BP,  
DGC7xxx, H 7xxx, ESW7x80 Combi, Installation drawing,  
Flush inset, NA  
7/8" – 22" mm – Glas, 15/16" – 23.3" mm – Edelstahl

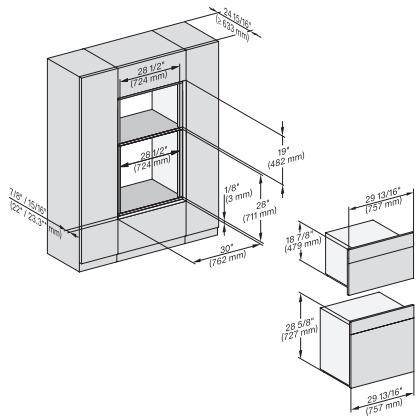


DGC 6x6x(AM)+EBA 6808, H 6x80 BP, H 6x80-2BP,  
DGC786x, EBA7868, H7xxx, Fitting Combi, Install.  
drawing, Flush inset, NA

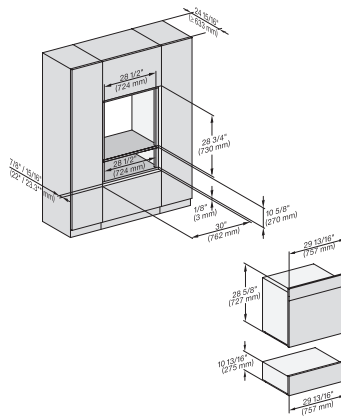


H 6x80, H 6x00 + EBA 6808, DGC 6x00-1, H 6x80,  
DGC7x7x, EBA7848, H7x8x Fitting Combi, Install drawing,  
Flush inset, NA

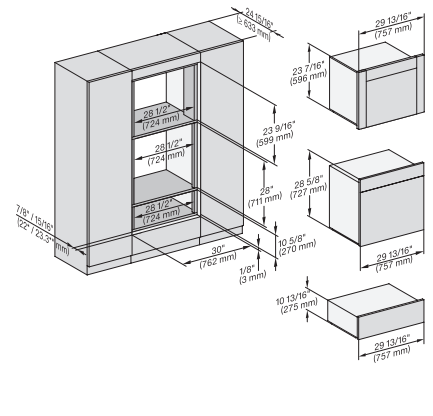
## H 7280 BP 30 Inch Convection Oven with clear text display, connectivity, and Self Clean.



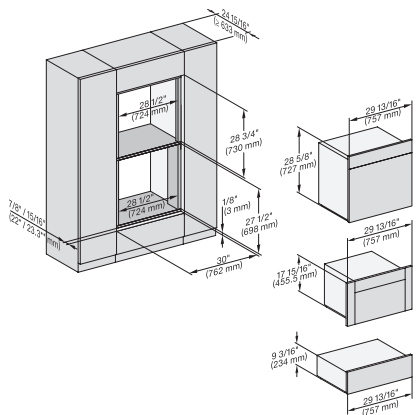
H 6x80 BP, H 6x70 BM, H 6x80-2BP, DGC7x7x, H7xxx Fitting Combi, Installation drawing, Flush inset, NA



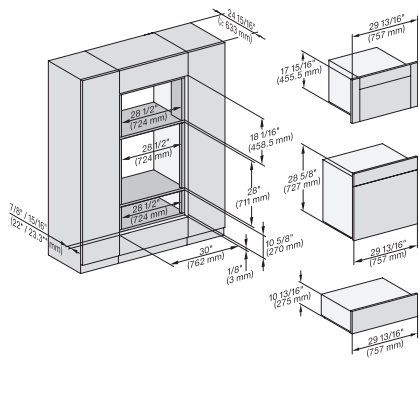
H 6x80 BP, ESW 6x80, H 6x80-2BP, DGC7x8x, H7x8x, ESW7x80, H 2x8x Fitting Combi, Installation drawing, Flush inset, NA



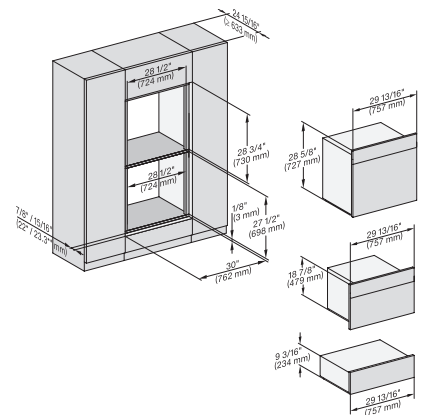
DGC6x6x (AM)+EBA6808, H 6x80, ESW 6x80, H 6x80-2, DGC786x, EBA7868, H 7x80, Fitting Combi, Install draw, Flush inset, NA



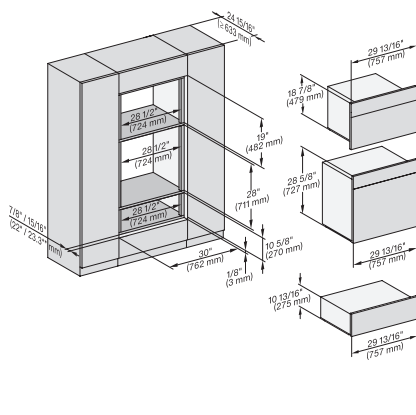
H 6x80 BP, H 6x00 BM + EBA 6808, ESW 6x85, DGC 6x00-1, H 6x80-2BP, Fitting Combi, H 7x40BM, ESW 7x70, Flush inset, NA



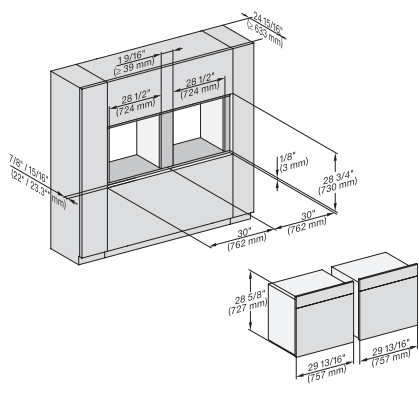
H 6x80 BP, H 6x00 BM + EBA 6808, ESW 6x80, DGC 6x00-1, H 6x80-2BP, DGC7x40, EBA 7848, H2880BP, H7x80BP, Flush inset, NA



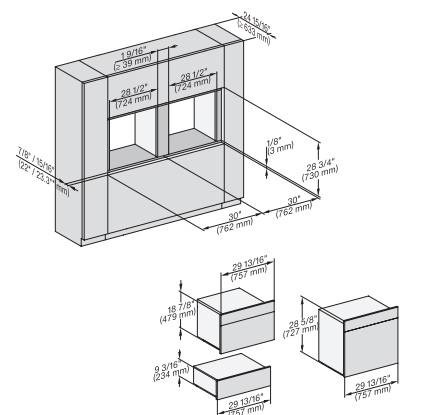
H 6x80 BP, H 6x70 BM, ESW 6x85, H 6x80-2BP, H7xxx BM/BX, H2x80BP, ESW7x70, EVS7670 Installation drawing, Flush inset, NA



H 6x80 BP, H 6x70 BM, ESW 6x80, H 6x80-2BP, DGC7xxx, H7xxxBM/BMX/BP/BPX, H2x80BP, ESW7x80, Installation drawing, NA



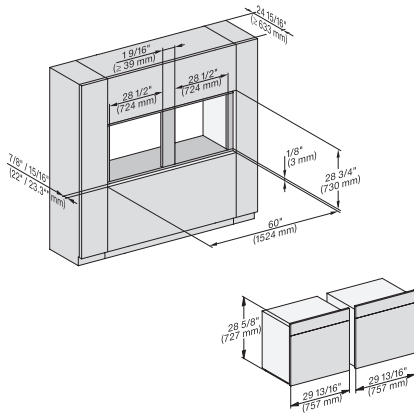
H 6x80 BP, H 6x80-2BP, H 2x80BP, H 7x80BP/PBX Fitting Combi side by side, Installation drawing, Flush inset, NA



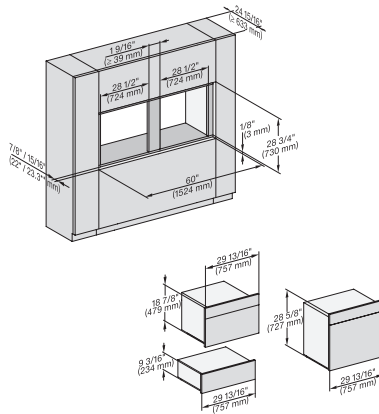
H 6x80BP, H 6x70 BM, ESW 6x85, H 6x80-2BP, H7xxx BM/BP/BPX, ESW7x70, EVS7670, Installation drawing, Flush inset, NA



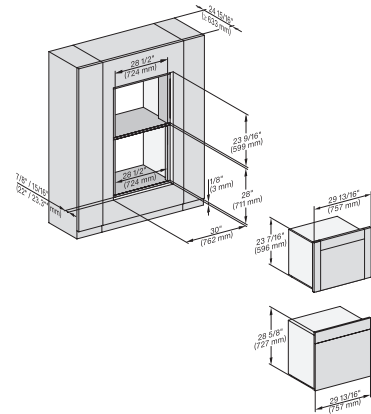
## H 7280 BP 30 Inch Convection Oven with clear text display, connectivity, and Self Clean.



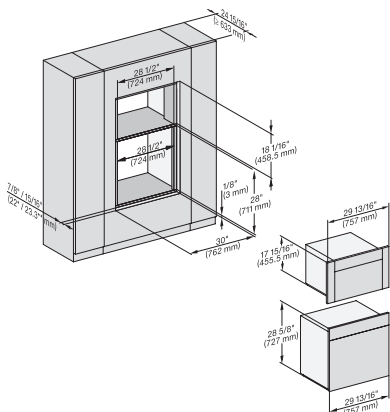
H 6x80 BP, H 6x80-2BP, H 2x80BP, H7x80BP/BPX, Installation drawing, Flush inset, NA



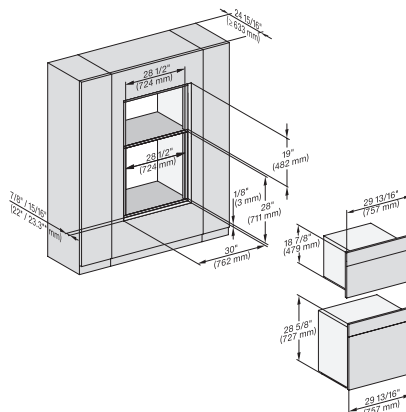
H 6x80 BP, H 6x70 BM, ESW 6x85, H 6x80-2BP, H 7xxx BP/BM/BPX/BMX, EXX 7x70 Fitting Combi side by side without wall, NA



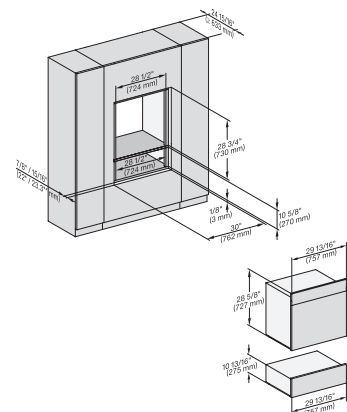
DGC 6x6x (AM) + EBA 6808, H 6x80 BP, H 6x80-2BP, DGC 786x, EBA 7868, H2880BP, H7x80BP/BPX, Fitting Combi wide front, NA



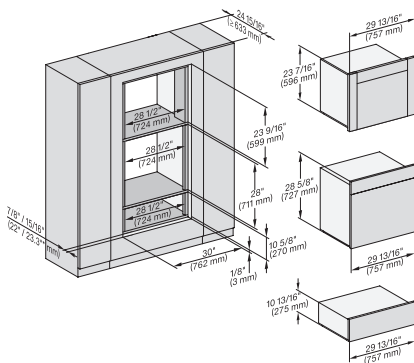
H 6x80 BP, H 6x00 BM, EBA 6808, DGC 6x00-1, H 6x80-2BP, DGC 7x4x, EBA 7848, H 7x80BP, H 2880BP, Flush inset, NA



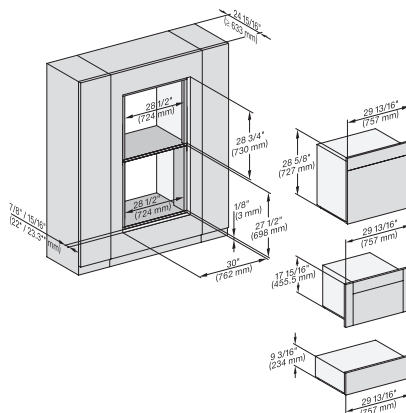
H 6x80 BP, H 6x70 BM, H 6x80-2BP, DGC 7x7x, H7xxx x BM/BP/BPX, H 2880 PB, Installation drawing, Flush inset, NA



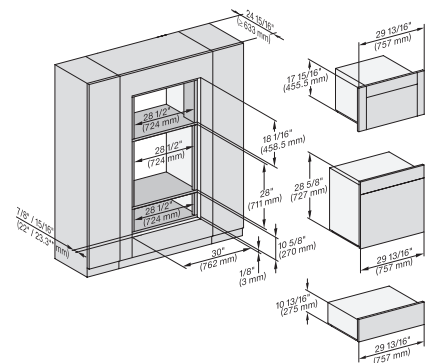
H 6x80 BP, ESW 6x80, H 6x80-2BP, DGC 7x8x, H 2x80BP, H 7x80 BP/BPX, ESW 7x80 Installation drawing, Flush inset, NA



DGC 6x6x (AM) + EBA 6808, H 6x80 BP, ESW 6x80, H 6x80-2BP, DGC 786x, EBA 7868, H7x80BP/BPX, ESW 7x80, Flush inset, NA

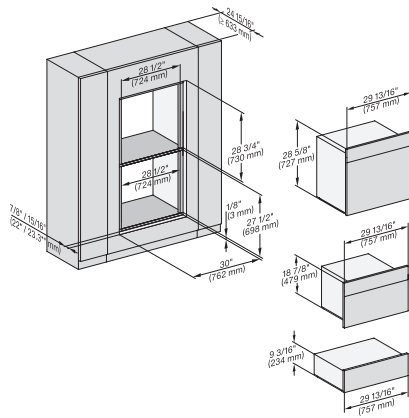


H 6x80 BP, H 6x00 BM + EBA 6808, ESW 6x85, DGC 6x00 + EBA 6808, H 6x80-2BP, H2880BP, H7xxxBM/BP/BPX, ESW7x70 NA

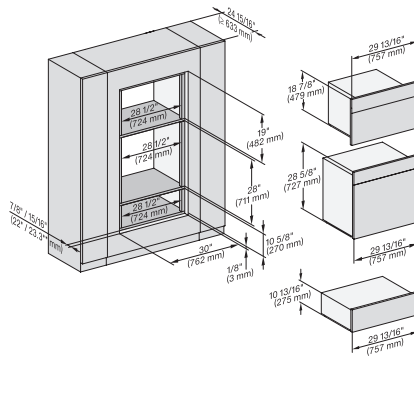


H 6x80 BP, H 6x00 BM + EBA 6808, ESW 6x80, DGC 6x00, H 6x80-2BP, DGC7x4x, EBA7848, H2880BP, H7x80PB, ESW7x80, NA

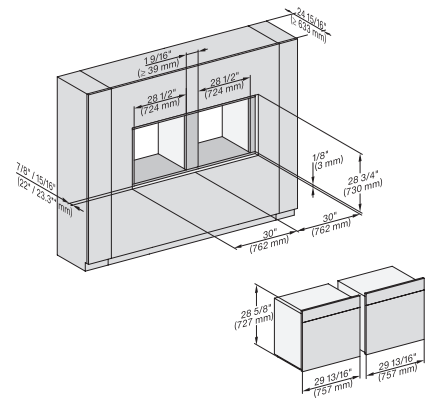
## H 7280 BP 30 Inch Convection Oven with clear text display, connectivity, and Self Clean.



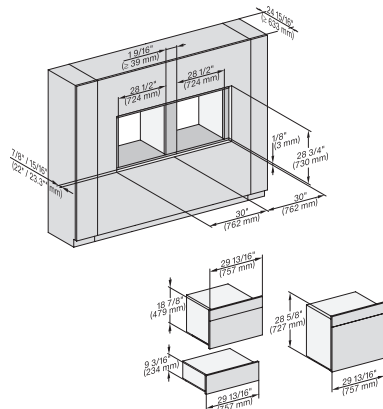
H 6x80 BP, H 6x70 BM, ESW 6x85, H 6x80-2BP, H2x80BP, H7xx0BP/BM/BPX, ESW7x70, EVS7670 Flush inset, NA



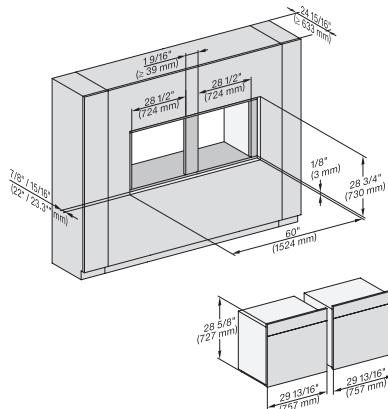
H 6x80 BP, H 6x70 BM, ESW 6x80, H 6x80-2BP, DGC7x7x, H7xxxBM/BMX/BP, H2xxxBP, ESW7xxx, NA



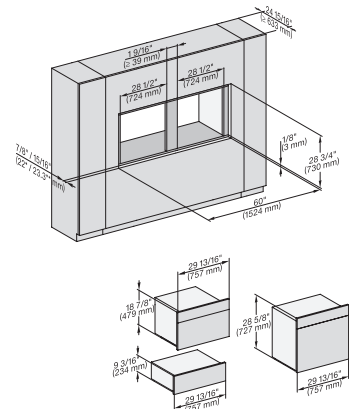
H 6x80 BP, H 6x80-2BP, H 2x8xBP, H 7x80 BP/BPX Fitting Combi wide front side by side, Install. drawing, Flush inset, NA



H 6x80 BP, H 6x70 BM, ESW 6x85, H 6x80-2BP, H7x70BM/BMX, ESW 7x70, EVS 7670, Installation drawing, Flush inset, NA

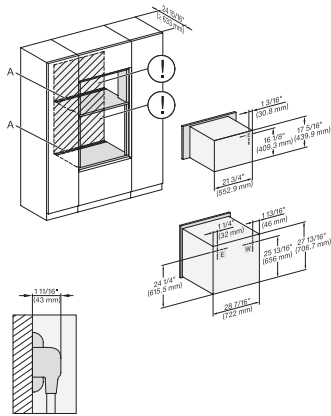


H 6x80 BP, H 6x80-2BP, H 2x80BP, G 7x80 BP/BBX, Installation drawing, Flush inset, NA



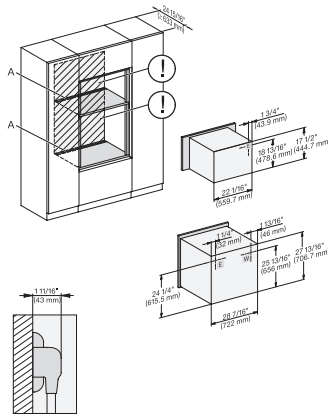
H 6x80 BP, H 6x70 BM, ESW 6x85, H 6x80-2BP, H7x80 BP/BPX/BM/BMX, EWS 7x70, EVS 7670 drawing, Flush inset, NA

## H 7280 BP 30 Inch Convection Oven with clear text display, connectivity, and Self Clean.



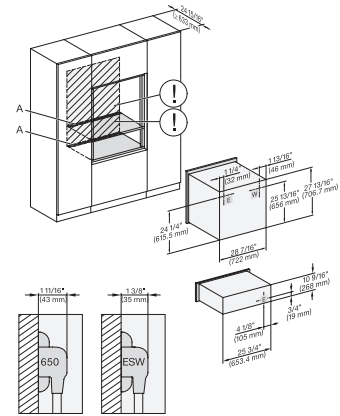
H 6x80 BP, H 6x00 BM + EBA 6808, H 6x80-2BP, H7xxx BM/BP/BPX, EBA 7848, Installation drawing, Flush inset, NA

A – Cut-out (4" x 28" / 100 mm x 720 mm) in the bottom of the cabinet for power cord and ventilation. – Electrical and water supplies are recommended to be placed in adjacent cabinetry. Additional cabinet depth is required when placing the electrical and water supplies behind the appliance. E = Electric connection



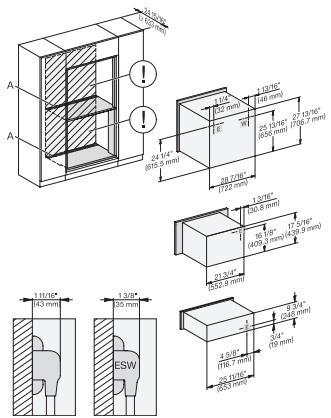
H 6x80 BP, H 6x70 BM, H 6x80-2BP, H 7xxx BM/BMX/BP/BPX, H 2x90BP Installation drawing, Flush inset, NA

A – Cut-out (4" x 28" / 100 mm x 720 mm) in the bottom of the cabinet for power cord and ventilation. – Electrical and water supplies are recommended to be placed in adjacent cabinetry. Additional cabinet depth is required when placing the electrical and water supplies behind the appliance. E = Electric connection



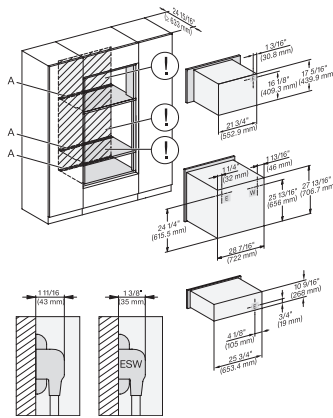
H 6x80 BP, ESW 6x80, H 6x80-2BP, H 2x80BP, H 7xxx BP/BPX, ESW 7x80 Installation drawing, Flush inset, NA

A – Cut-out (4" x 28" / 100 mm x 720 mm) in the bottom of the cabinet for power cord and ventilation. – Electrical and water supplies are recommended to be placed in adjacent cabinetry. Additional cabinet depth is required when placing the electrical and water supplies behind the appliance. E = Electric connection



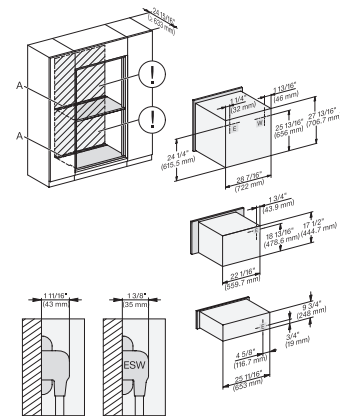
H 6x80 BP, H 6x00 BM + EBA 6808, ESW 6x85, H 6x80-2BP, H2880BP, H 7xxxBP/BPX/BM, EBA 7848, Exx7x70, Installation drawing, Flush inset, NA

A – Cut-out (4" x 28" / 100 mm x 720 mm) in the bottom of the cabinet for power cord and ventilation. – Electrical and water supplies are recommended to be placed in adjacent cabinetry. Additional cabinet depth is required when placing the electrical and water supplies behind the appliance. E = Electric connection



H 6x80 BP, H 6x00 BM + EBA 6808, H 6x80-2BP, H 7xxxBM/BP/BPC, EBA 7848, ESW 7x80, Installation drawing, Flush inset, NA

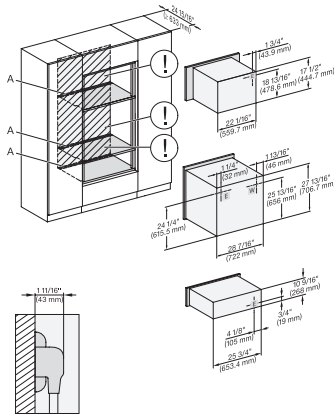
A – Cut-out (4" x 28" / 100 mm x 720 mm) in the bottom of the cabinet for power cord and ventilation. – Electrical and water supplies are recommended to be placed in adjacent cabinetry. Additional cabinet depth is required when placing the electrical and water supplies behind the appliance. E = Electric connection



H 6x80 BP, H 6x70 BM, ESW 6x85, H 6x80-2BP, H2880BP, H7xxxBP/BPX/BM/BMX, Exx7670, Installation drawing, Flush inset, NA

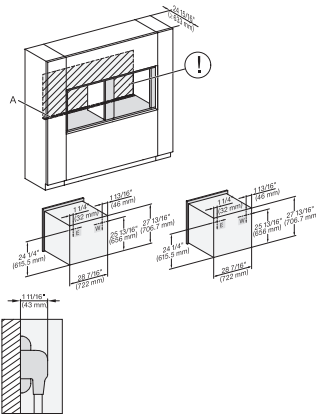
A – Cut-out (4" x 28" / 100 mm x 720 mm) in the bottom of the cabinet for power cord and ventilation. – Electrical and water supplies are recommended to be placed in adjacent cabinetry. Additional cabinet depth is required when placing the electrical and water supplies behind the appliance. E = Electric connection

## H 7280 BP 30 Inch Convection Oven with clear text display, connectivity, and Self Clean.



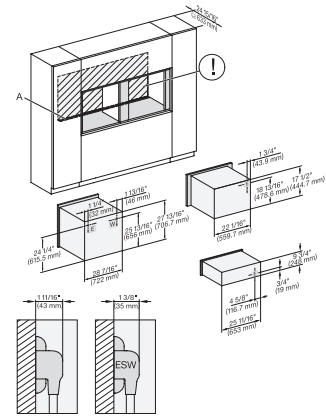
H 6x80BP, H 6x70 BM, ESW 6x80, H 6x80-2BP, H 2880BP, H 7xxxBP/BPX/BM/BMX, ESW 7x80 Installation drawing, Flush inset, NA

A – Cut-out (4" x 28" / 100 mm x 720 mm) in the bottom of the cabinet for power cord and ventilation. – Electrical and water supplies are recommended to be placed in adjacent cabinetry., Additional cabinet depth is required when placing the electrical and water supplies behind the appliance., E = Electric connection



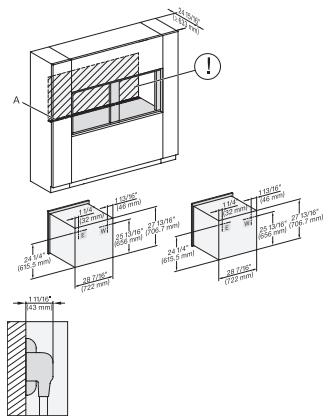
H 6x80 BP, H 6x80-2BP, H2x80BP, H7x80BP/BPX Combi, side by side, Installation drawing, Flush inset, NA

A – Cut-out (4" x 28" / 100 mm x 720 mm) in the bottom of the cabinet for power cord and ventilation. – Electrical and water supplies are recommended to be placed in adjacent cabinetry., Additional cabinet depth is required when placing the electrical and water supplies behind the appliance., E = Electric connection



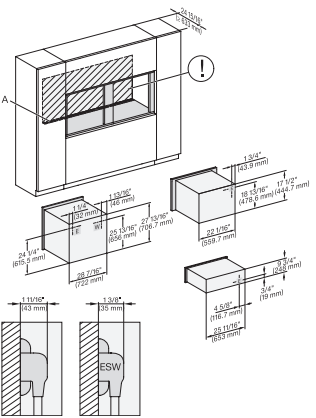
H 6x80BP, H 6x70BM, ESW 6x85, H 6x80-2BP, H2x80BP, H 7x80BP/BPX, ESW 7x70, EVS7670, Install. drawing, Flush inset, NA

A – Cut-out (4" x 28" / 100 mm x 720 mm) in the bottom of the cabinet for power cord and ventilation. – Electrical and water supplies are recommended to be placed in adjacent cabinetry., Additional cabinet depth is required when placing the electrical and water supplies behind the appliance., E = Electric connection



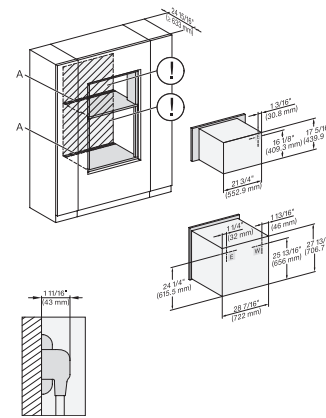
H 6x80 BP, H 6x80-2BP, H2x80BP/BP, H 7x80BP/BPX, Installation drawing, Flush inset, NA

A – Cut-out (4" x 28" / 100 mm x 720 mm) in the bottom of the cabinet for power cord and ventilation. – Electrical and water supplies are recommended to be placed in adjacent cabinetry., Additional cabinet depth is required when placing the electrical and water supplies behind the appliance., E = Electric connection



H 6x80 BP, H 6x70 BM, ESW 6x85, H 6x80-2BP, H 2x80BP, H 7x80BP/BPX, ESW 7x70, EVS 7670, drawing, Flush inset, NA

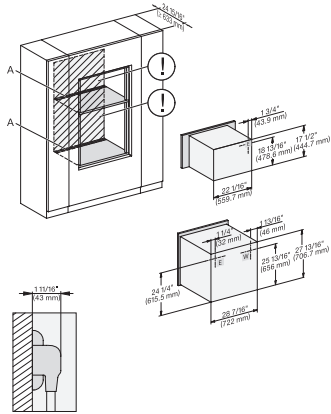
A – Cut-out (4" x 28" / 100 mm x 720 mm) in the bottom of the cabinet for power cord and ventilation. – Electrical and water supplies are recommended to be placed in adjacent cabinetry., Additional cabinet depth is required when placing the electrical and water supplies behind the appliance., E = Electric connection



H 6x80 BP, H 6x00 BM + EBA 6808, H 6x80-2BP, H 7xxxBM/BP/BPX, EBA 7848, Installation drawing, Flush inset, NA

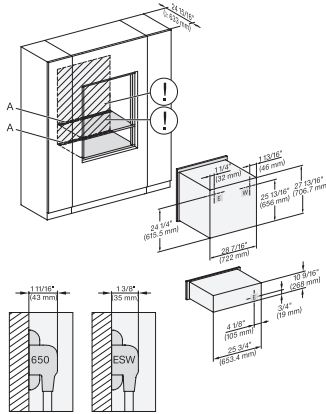
A – Cut-out (4" x 28" / 100 mm x 720 mm) in the bottom of the cabinet for power cord and ventilation. – Electrical and water supplies are recommended to be placed in adjacent cabinetry., Additional cabinet depth is required when placing the electrical and water supplies behind the appliance., E = Electric connection

## H 7280 BP 30 Inch Convection Oven with clear text display, connectivity, and Self Clean.



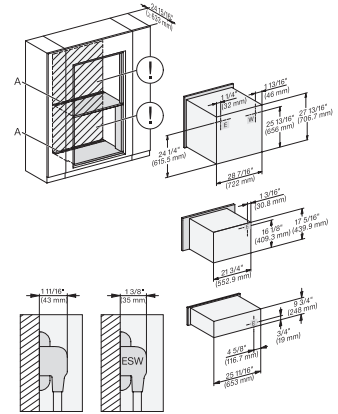
H 6x80 BP, H 6x70 BM, H 6x80-2BP, H 2x80BP, H 7x8xBP/BPX Installation drawing, Flush inset, NA

A – Cut-out (4" x 28" / 100 mm x 720 mm) in the bottom of the cabinet for power cord and ventilation. – Electrical and water supplies are recommended to be placed in adjacent cabinetry. Additional cabinet depth is required when placing the electrical and water supplies behind the appliance. E = Electric connection



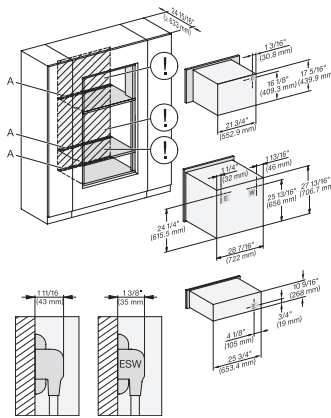
H 6x80 BP, ESW 6x80, H 6x80-2BP, H 2x80BP, H 7x8xBP/BPX, ESW 7x80, Installation drawing, Flush inset, NA

A – Cut-out (4" x 28" / 100 mm x 720 mm) in the bottom of the cabinet for power cord and ventilation. – Electrical and water supplies are recommended to be placed in adjacent cabinetry. Additional cabinet depth is required when placing the electrical and water supplies behind the appliance. E = Electric connection



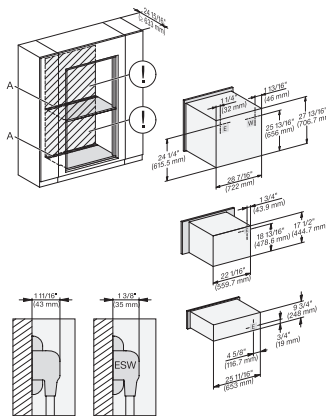
H 6x80 BP, H 6x00 BM + EBA 6808, ESW 6x85, H 6x80-2BP, H 2880BP, H 7x40BM, EBA 7848, ESW 7x70, EVS 7670, NA

A – Cut-out (4" x 28" / 100 mm x 720 mm) in the bottom of the cabinet for power cord and ventilation. – Electrical and water supplies are recommended to be placed in adjacent cabinetry. Additional cabinet depth is required when placing the electrical and water supplies behind the appliance. E = Electric connection



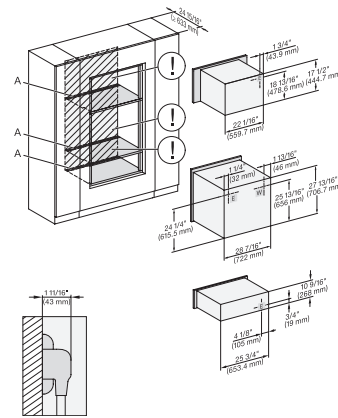
H 6x80 BP, H 6x00 BM + EBA 6808, ESW 6x80, H 6x80-2BP, H 7xxx BM/BP/BPC, EBA 7848, ESW 7x80, Flush inset, NA

A – Cut-out (4" x 28" / 100 mm x 720 mm) in the bottom of the cabinet for power cord and ventilation. – Electrical and water supplies are recommended to be placed in adjacent cabinetry. Additional cabinet depth is required when placing the electrical and water supplies behind the appliance. E = Electric connection



H 6x80 BP, H 6x70 BM, ESW 6x85, H 6x80-2BP, H 2880BP, H 7xxx BP/BPX/BM/BMX, Exx 7x70, Flush inset, NA

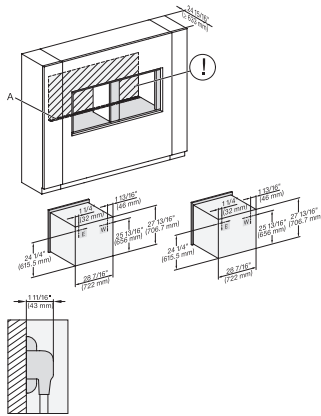
A – Cut-out (4" x 28" / 100 mm x 720 mm) in the bottom of the cabinet for power cord and ventilation. – Electrical and water supplies are recommended to be placed in adjacent cabinetry. Additional cabinet depth is required when placing the electrical and water supplies behind the appliance. E = Electric connection



H 6x80 BP, H 6x70 BM, ESW 6x80, H 6x80-2BP, H 2x80BP, H 7xxx BP/BPX/BM/BMX, ESW 7x80, Flush inset, NA

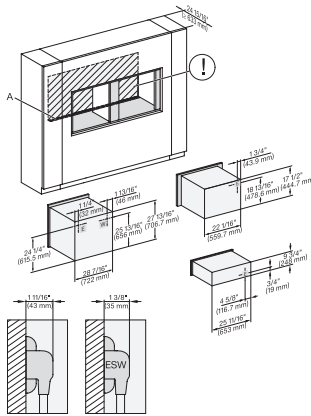
A – Cut-out (4" x 28" / 100 mm x 720 mm) in the bottom of the cabinet for power cord and ventilation. – Electrical and water supplies are recommended to be placed in adjacent cabinetry. Additional cabinet depth is required when placing the electrical and water supplies behind the appliance. E = Electric connection

## H 7280 BP 30 Inch Convection Oven with clear text display, connectivity, and Self Clean.



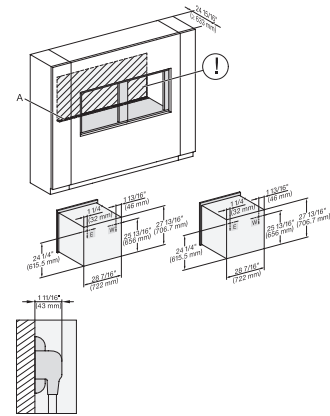
H 6x80 BP, H 6x80-2BP, H 2x80BP, H 7x80 BP/BPX,  
Installation drawing, Flush inset, NA

A – Cut-out (4" x 28" / 100 mm x 720 mm) in the bottom of the cabinet for power cord and ventilation. – Electrical and water supplies are recommended to be placed in adjacent cabinetry. Additional cabinet depth is required when placing the electrical and water supplies behind the appliance. E = Electric connection



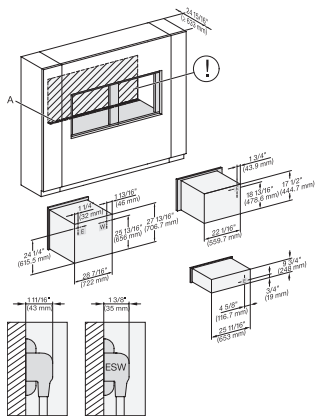
H 6x80BP, H 6x70 BM, ESW 6x85, H 6x80-2BP, H 2x80BP, H 7x80BP/BPX, ESW 7x70, EVS 7670, Install. drawing, Flush inset, NA

A – Cut-out (4" x 28" / 100 mm x 720 mm) in the bottom of the cabinet for power cord and ventilation. – Electrical and water supplies are recommended to be placed in adjacent cabinetry. Additional cabinet depth is required when placing the electrical and water supplies behind the appliance. E = Electric connection



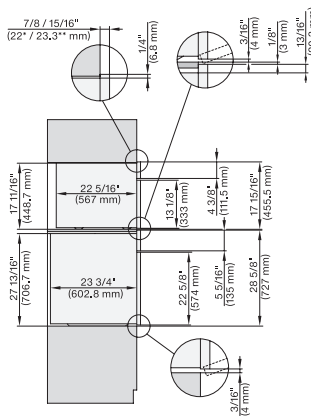
H 6x80 BP, H 6x80-2BP, H 2x80 BP, H 7x80 BP/BPX,  
Installation drawing, Flush inset, NA

A – Cut-out (4" x 28" / 100 mm x 720 mm) in the bottom of the cabinet for power cord and ventilation. – Electrical and water supplies are recommended to be placed in adjacent cabinetry. Additional cabinet depth is required when placing the electrical and water supplies behind the appliance. E = Electric connection



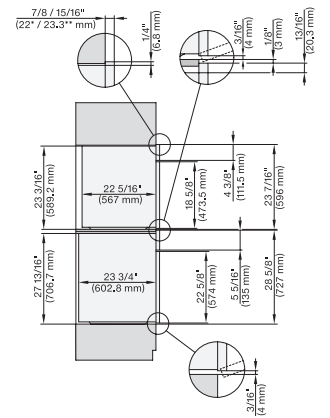
H6x80 BP, H6x70 BM, ESW6x85, H6x80-2BP, H2x80BP,  
H 7x80 BP/BPX, ESW 7x70, EVS 7670, Flush inset, NA

A – Cut-out (4" x 28" / 100 mm x 720 mm) in the bottom of the cabinet for power cord and ventilation. – Electrical and water supplies are recommended to be placed in adjacent cabinetry. Additional cabinet depth is required when placing the electrical and water supplies behind the appliance. E = Electric connection



DGC 6x00-1 + EBA 6808, H 6x80BP, H6x80-2BP,  
DGC7x4x+EBA7848, H2x80BP, H7x80BP(X), Combi,  
Installation drawing, Proud, NA

7/8" – 22\* mm – Glas, 15/16" – 23.3\*\* mm – Edelstahl

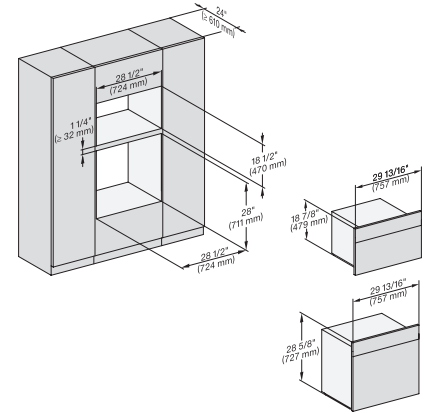
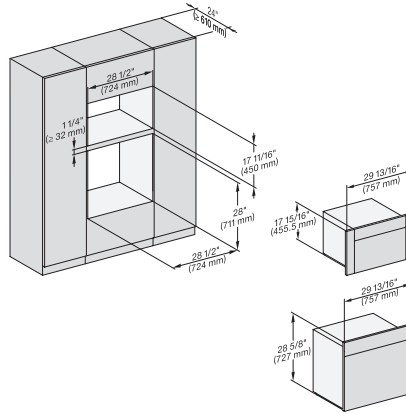
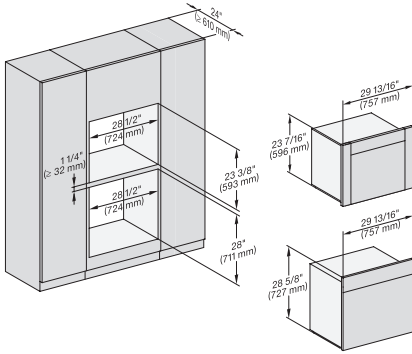


DGC 6x6x (AM), H 6x80 BP, H6x80-2BP,  
DGC786x+EBA7868, H2x80BP, H80BP(X), Combi,  
Installation drawing, Proud, NA

7/8" – 22\* mm – Glas, 15/16" – 23.3\*\* mm – Edelstahl



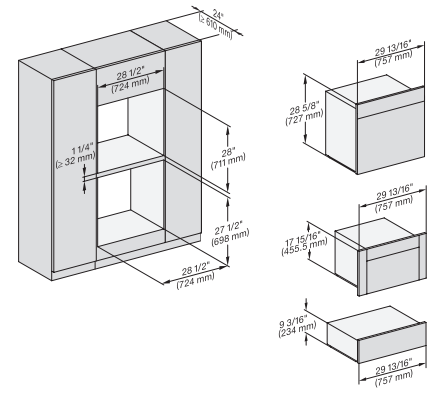
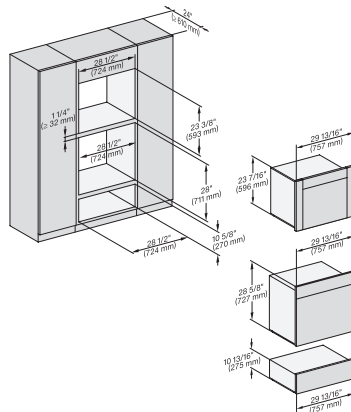
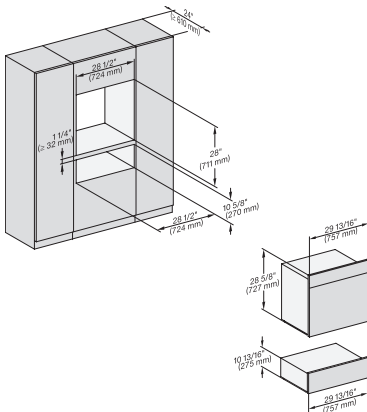
## H 7280 BP 30 Inch Convection Oven with clear text display, connectivity, and Self Clean.



DGC6x6+EBA6808, H6x80BP, H6x80-2BP, DGC786x+EBA7868, H2880BP, H7x80BPX, Fitting Combi, Installation drawing, Proud, NA

H6x80BP, (H6x00BM, DGC6x00-1)+EBA6808, H6x80-2BP, DGC7x4x+EBA7848, H2880BP, H7x80BPX, Fitting Combi, Installation Proud,

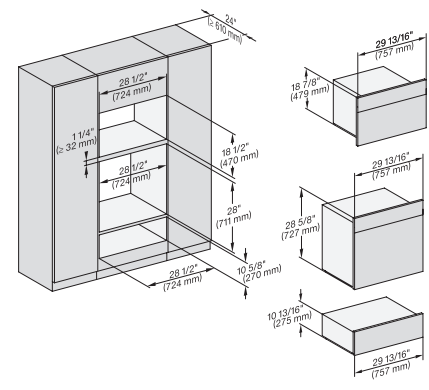
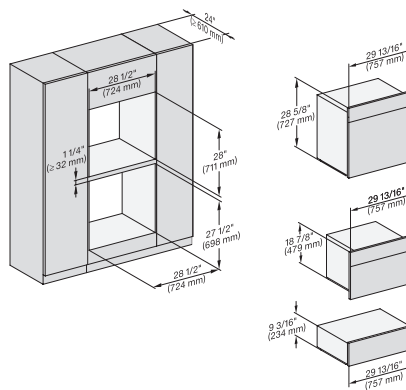
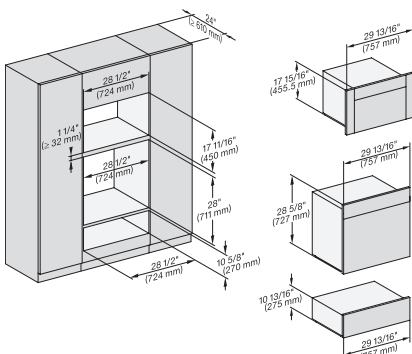
H6x80BP, H6x70BM, H6x80-2BP, DGC7x7x, H7x70BM, H2x80BP, H7x80BP(X), Fitting Combi, Installation drawing, Proud, NA



H6x80BP, ESW6x80, H6x80-2BP, DGC7xxx, H2x80BP, H7x80BPX, ESW7x80, Fitting Combi, Installation drawing, Proud, NA

DGC6x6x(AM)+EBA6808, H6x80(-2)BP, ESW6x80, DGC786x+EBA7868, H2880BP, H7x80BP, ESW7x80, Fitting Combi, Installation, Proud,

H6x80BP, H6x00BM+EBA6808, ESW6x85, DGC6x00-1 + EBA6808, H6x80-2BP, NA7000 Fitting Combi, Installation drawing, Proud, NA



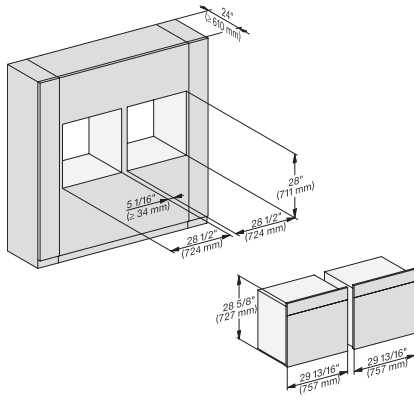
H6x80BP, H6x00BM+EBA6808, ESW6x80, DGC6x00-1+EBA6808, H6x80-2BP, NA7000 Fitting Combi, Installation drawing, Proud, NA

H6x80BP, H6x70BM, ESW 6x85, H 6x80-2BP, NA7000, Fitting Combi, Installation drawing, Proud, NA

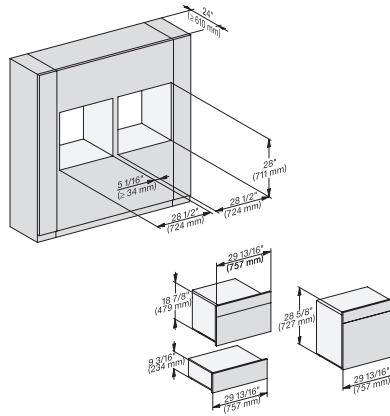
H 6x80 BP, H 6x70 BM, ESW 6x80, H 6x80-2BP, NA7000 Fitting Combi, Installation drawing, Proud, NA



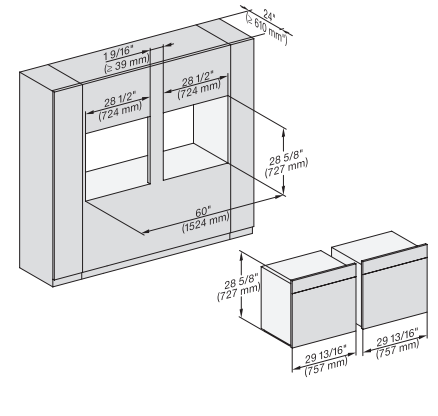
## H 7280 BP 30 Inch Convection Oven with clear text display, connectivity, and Self Clean.



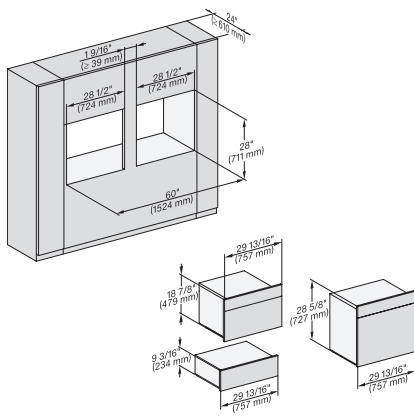
H 6x80 BP, H 6x80-2BP, NA7000, Fitting Combi side by side, Installation drawing, Proud, NA



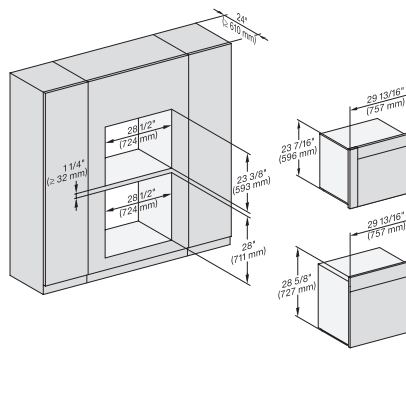
H 6x80 BP, H 6x70 BM, ESW 6x85, H 6x80-2BP, NA7000, Fitting Combi side by side, Installation drawing, Proud, NA



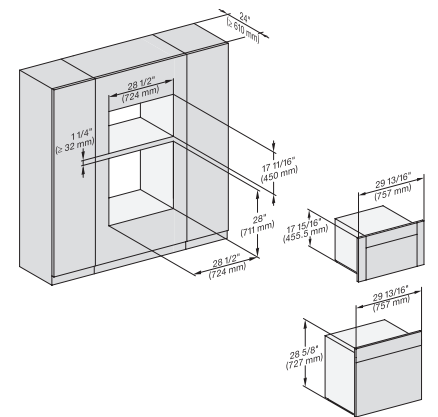
H 6x80 BP, H 6x80-2BP, NA7000 Fitting Combi side by side without wall, Installation drawing, Proud, NA



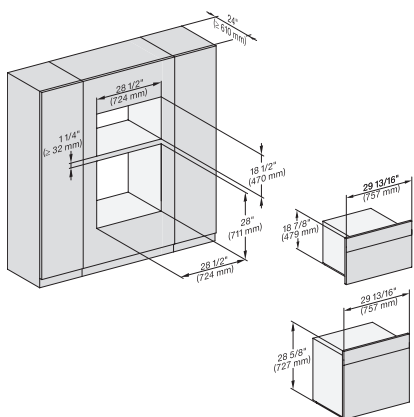
H6x80BP, H6x70BM, ESW6x85, H6x80-2BP, NA7000, Fitting Combi side by side without wall, Installation drawing, Proud, NA



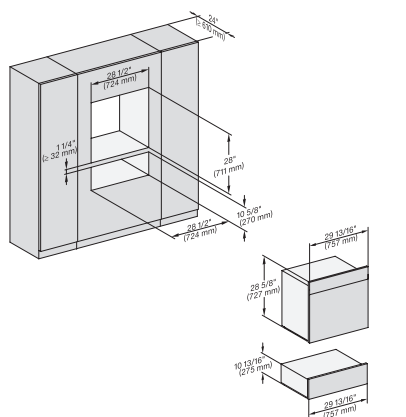
DGC 6x6x (AM) + EBA 6808, H 6x80 BP, H 6x80-2BP, NA7000, Fitting Combi wide front, Installation drawing, Proud, NA



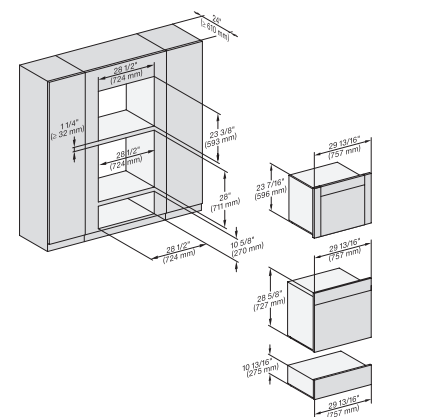
H6x80BP, (H6x00BM, DGC6x00-1) + EBA6808, H6x80-2BP, NA7000, Fitting Combi wide front, Installation drawing, Proud



H6x80BP, H 6x70 BM, H 6x80-2BP, NA7000 Fitting Combi wide front, Installation drawing, Proud, NA

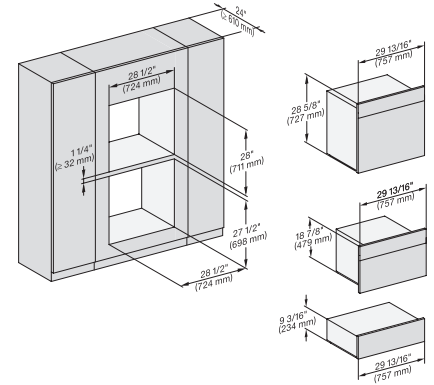
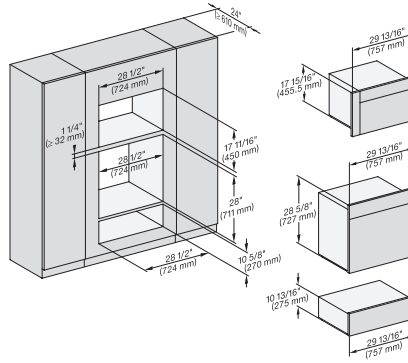
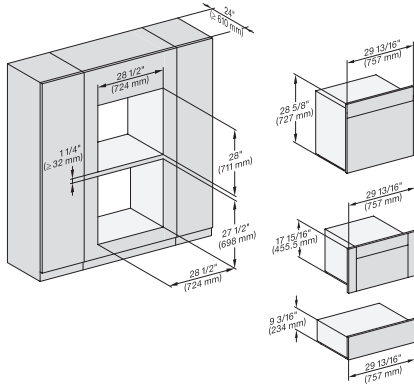


H 6x80 BP, ESW 6x80, H 6x80-2BP, NA7000 Fitting Combi wide front, Installation drawing, Proud, NA



DGC 6x6x (AM) + EBA 6808, H 6x80 BP, ESW 6x80, H 6x80-2BP, NA7000 Fitting Combi wide front, Installation drawing, Proud

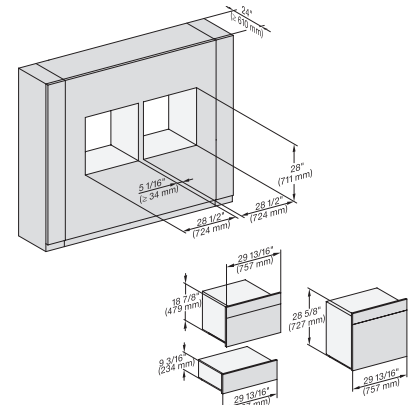
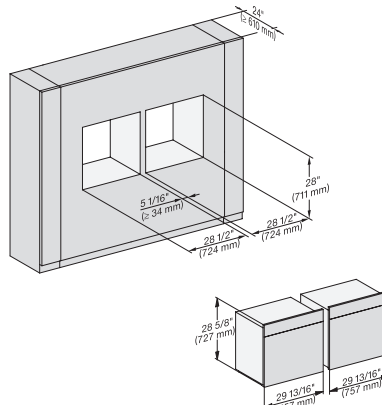
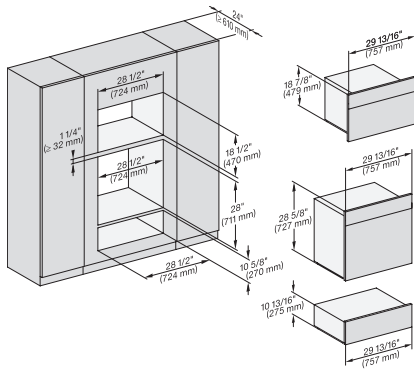
H 7280 BP  
30 Inch Convection Oven  
with clear text display, connectivity, and Self Clean.



H 6x80 BP, H 6x00 BM + EBA 6808, ESW 6x85, DGC6x00 + EBA6808, H6x80-2BP, NA7000, Fitting Combi w. front, drawing, Proud

H6x80BP, H6x00BM + EBA6808, ESW6x80, DGC6x00 + EBA 6808, H 6x80-2BP, NA7000 Fitting Combi w. front, drawing, Proud, NA

H 6x80 BP, H 6x70 BM, ESW 6x85, H 6x80-2BP, NA7000 Fitting Combi wide front, Installation drawing, Proud, NA

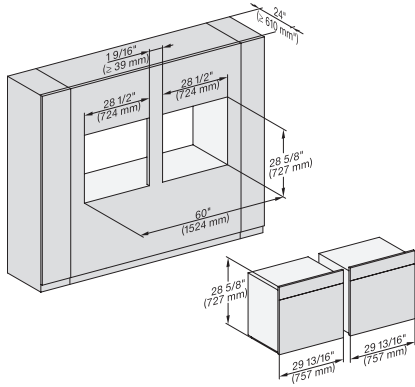


H 6x80 BP, H 6x70 BM, ESW 6x80, H 6x80-2BP, NA7000, Fitting Combi wide front, Installation drawing, Proud, NA

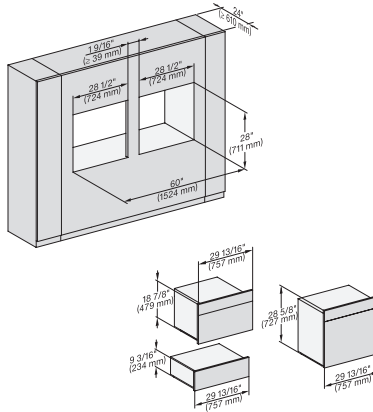
H 6x80 BP, H 6x80-2BP, H2x80BP, H7x80BP(X), Fitting Combi wide front side by side, Installation drawing, Proud, NA

H 6x80 BP, H 6x70 BM, ESW 6x85, H 6x80-2BP, NA7000 Fitting Combi wide front side by side, Installation drawing, Proud

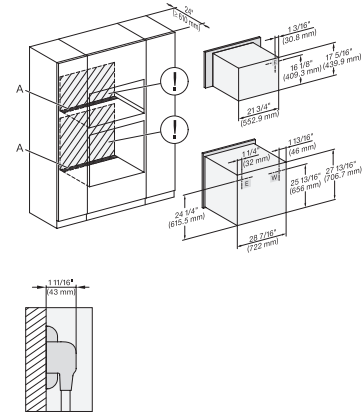
## H 7280 BP 30 Inch Convection Oven with clear text display, connectivity, and Self Clean.



H 6x80 BP, H 6x80-2BP, NA7000 Fitting Combi wide front side by side without wall, Installation drawing, Proud, NA

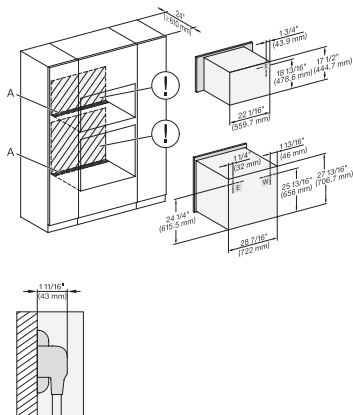


H 6x80 BP, H 6x70 BM, ESW 6x85, H 6x80-2BP, NA7000 Fitting Combi w. front side by side without wall, drawing, Proud, NA



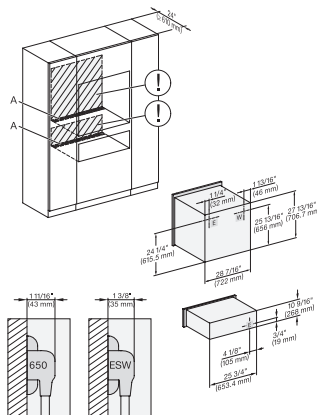
H6x80(-)BP, H6x00BM + EBA6808, H7x40BM, H2880BP, H7x80BP(X), Installation Combi, Installation drawing, Proud, NA

A – Cut-out (4" x 28" / 100 mm x 720 mm) in the bottom of the cabinet for power cord and ventilation, – Electrical and water supplies are recommended to be placed in adjacent cabinetry., Additional cabinet depth is required when placing the electrical and water supplies behind the appliance., E = Electric connection



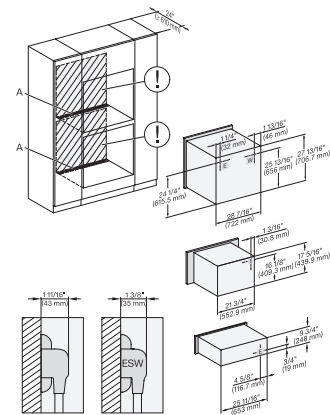
H 6x80 BP, H 6x70 BM, H 6x80-2BP, Hx70BM, H2x80BP(X), H7x80BP(X), Installation Combi, Installation drawing, Proud, NA

A – Cut-out (4" x 28" / 100 mm x 720 mm) in the bottom of the cabinet for power cord and ventilation, – Electrical and water supplies are recommended to be placed in adjacent cabinetry., Additional cabinet depth is required when placing the electrical and water supplies behind the appliance., E = Electric connection



H 6x80 BP, ESW 6x80, H 6x80-2BP, H2x80BP, H7x80BP, ESW7x80, Installation Combi, Installation drawing, Proud, NA

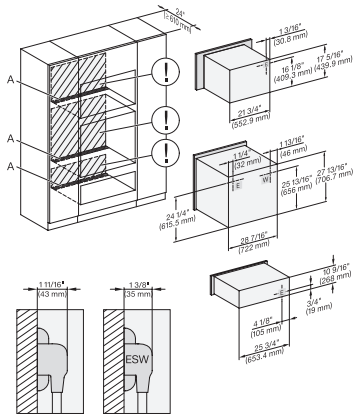
A – Cut-out (4" x 28" / 100 mm x 720 mm) in the bottom of the cabinet for power cord and ventilation, – Electrical and water supplies are recommended to be placed in adjacent cabinetry., Additional cabinet depth is required when placing the electrical and water supplies behind the appliance., E = Electric connection



H 6x80 BP, H 6x00 BM + EBA 6808, ESW 6x85, H 6x80-2BP, NA7000 Installation Combi, Installation drawing, Proud, NA

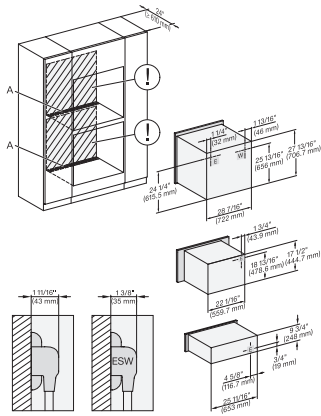
A – Cut-out (4" x 28" / 100 mm x 720 mm) in the bottom of the cabinet for power cord and ventilation, – Electrical and water supplies are recommended to be placed in adjacent cabinetry., Additional cabinet depth is required when placing the electrical and water supplies behind the appliance., E = Electric connection

## H 7280 BP 30 Inch Convection Oven with clear text display, connectivity, and Self Clean.



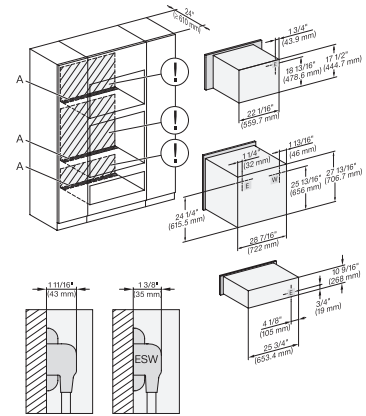
H 6x80 BP, H 6x00 BM + EBA 6808, ESW 6x80, H 6x80-2BP, NA7000 Installation Combi, Installation drawing, Proud, NA

A – Cut-out (4" x 28" / 100 mm x 720 mm) in the bottom of the cabinet for power cord and ventilation. – Electrical and water supplies are recommended to be placed in adjacent cabinetry. Additional cabinet depth is required when placing the electrical and water supplies behind the appliance. E = Electric connection



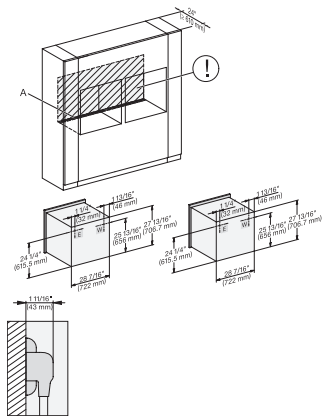
H 6x80 BP, H 6x70 BM, ESW 6x85, H 6x80-2BP, NA7000 Installation Combi, Installation drawing, Proud, NA

A – Cut-out (4" x 28" / 100 mm x 720 mm) in the bottom of the cabinet for power cord and ventilation. – Electrical and water supplies are recommended to be placed in adjacent cabinetry. Additional cabinet depth is required when placing the electrical and water supplies behind the appliance. E = Electric connection



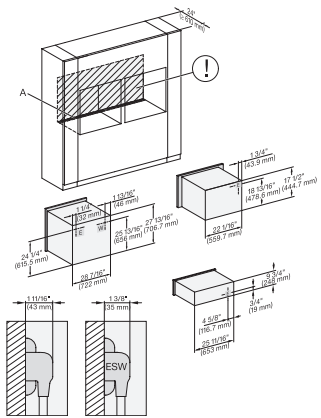
H 6x80 BP, H 6x70 BM, ESW 6x80, H 6x80-2BP, NA7000, Installation Combi, Installation drawing, Proud, NA

A – Cut-out (4" x 28" / 100 mm x 720 mm) in the bottom of the cabinet for power cord and ventilation. – Electrical and water supplies are recommended to be placed in adjacent cabinetry. Additional cabinet depth is required when placing the electrical and water supplies behind the appliance. E = Electric connection



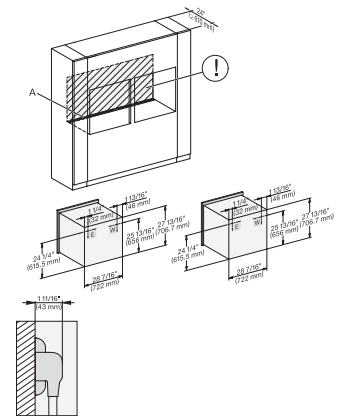
H 6x80 BP, H 6x80-2BP, H2x80BP, H7x80BP, Installation Combi, side by side, Installation drawing, Proud, NA

A – Cut-out (4" x 28" / 100 mm x 720 mm) in the bottom of the cabinet for power cord and ventilation. – Electrical and water supplies are recommended to be placed in adjacent cabinetry. Additional cabinet depth is required when placing the electrical and water supplies behind the appliance. E = Electric connection



H6x80(-2)BP, H6x70BM, ESW6x85, H2x80BP, H7x80BP, ESW7x70, EVS7670, Installation Combi side by side, Installation drawing

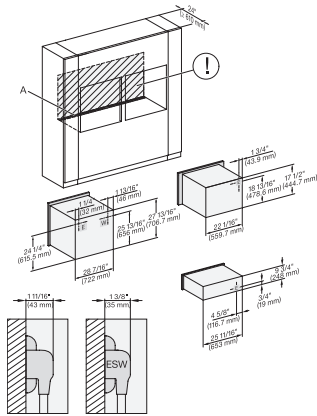
A – Cut-out (4" x 28" / 100 mm x 720 mm) in the bottom of the cabinet for power cord and ventilation. – Electrical and water supplies are recommended to be placed in adjacent cabinetry. Additional cabinet depth is required when placing the electrical and water supplies behind the appliance. E = Electric connection



H 6x80 BP, H 6x80-2BP, H2x80BP, H7x80BP(X), Installation Combi side by side without wall, Installation drawing, Proud, NA

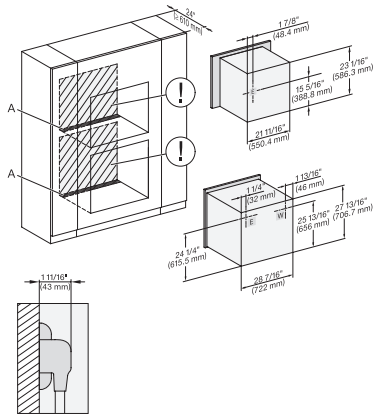
A – Cut-out (4" x 28" / 100 mm x 720 mm) in the bottom of the cabinet for power cord and ventilation. – Electrical and water supplies are recommended to be placed in adjacent cabinetry. Additional cabinet depth is required when placing the electrical and water supplies behind the appliance. E = Electric connection

## H 7280 BP 30 Inch Convection Oven with clear text display, connectivity, and Self Clean.



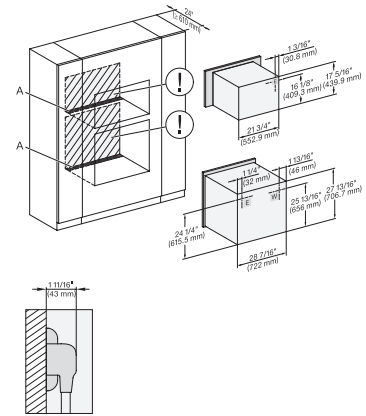
H 6x80 BP, H 6x70 BM, ESW 6x85, H 6x80-2BP, NA7000, Installation Combi side by side without wall, drawing, Proud, NA

A – Cut-out (4" x 28" / 100 mm x 720 mm) in the bottom of the cabinet for power cord and ventilation. – Electrical and water supplies are recommended to be placed in adjacent cabinetry. Additional cabinet depth is required when placing the electrical and water supplies behind the appliance. E = Electric connection



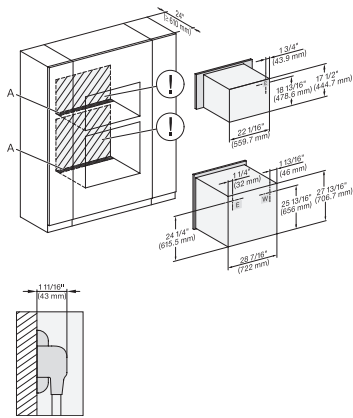
DGC 6x6x (AM) + EBA 6808, H 6x80 BP, H 6x80-2BP, Installation Combi wide front, Installation drawing, Proud, NA

A – Cut-out (4" x 28" / 100 mm x 720 mm) in the bottom of the cabinet for power cord and ventilation. – Electrical and water supplies are recommended to be placed in adjacent cabinetry. Additional cabinet depth is required when placing the electrical and water supplies behind the appliance. E = Electric connection



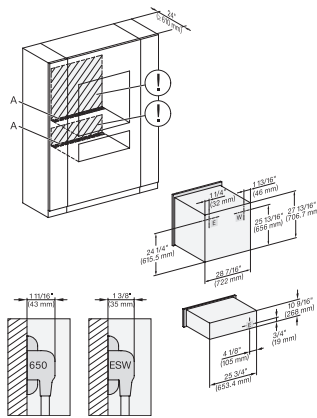
H 6x80 BP, H 6x00 BM + EBA 6808, H 6x80-2BP, NA7000, Installation Combi wide front, Installation drawing, Proud, NA

A – Cut-out (4" x 28" / 100 mm x 720 mm) in the bottom of the cabinet for power cord and ventilation. – Electrical and water supplies are recommended to be placed in adjacent cabinetry. Additional cabinet depth is required when placing the electrical and water supplies behind the appliance. E = Electric connection



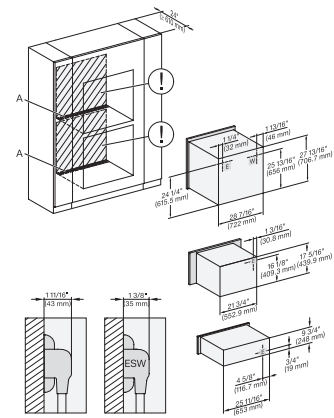
H 6x80 BP, H 6x70 BM, H 6x80-2BP, NA7000, Installation Combi wide front, Installation drawing, Proud, NA

A – Cut-out (4" x 28" / 100 mm x 720 mm) in the bottom of the cabinet for power cord and ventilation. – Electrical and water supplies are recommended to be placed in adjacent cabinetry. Additional cabinet depth is required when placing the electrical and water supplies behind the appliance. E = Electric connection



H 6x80 BP, ESW 6x80, H 6x80-2BP, NA7000, Installation Combi wide front, Installation drawing, Proud, NA

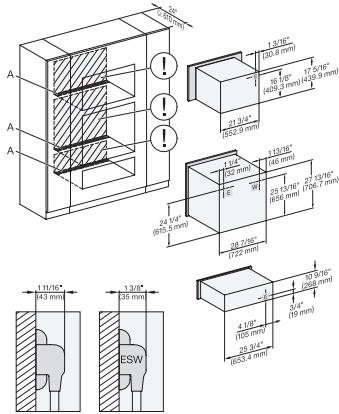
A – Cut-out (4" x 28" / 100 mm x 720 mm) in the bottom of the cabinet for power cord and ventilation. – Electrical and water supplies are recommended to be placed in adjacent cabinetry. Additional cabinet depth is required when placing the electrical and water supplies behind the appliance. E = Electric connection



H6x80BP, H6x00BM + EBA6808, ESW6x85, H6x80-2BP, NA7000, Installation Combi wide front, Installation drawing, Proud, NA

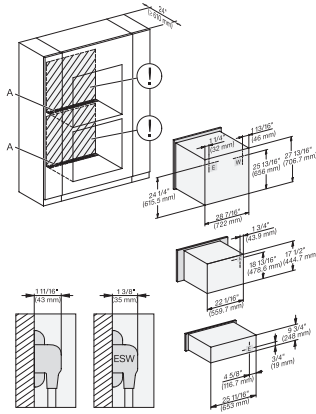
A – Cut-out (4" x 28" / 100 mm x 720 mm) in the bottom of the cabinet for power cord and ventilation. – Electrical and water supplies are recommended to be placed in adjacent cabinetry. Additional cabinet depth is required when placing the electrical and water supplies behind the appliance. E = Electric connection

## H 7280 BP 30 Inch Convection Oven with clear text display, connectivity, and Self Clean.



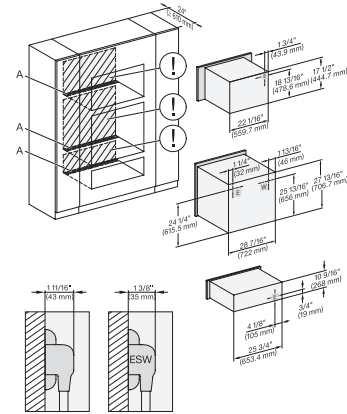
H6x80BP, H6x00BM + EBA6808, ESW6x80, H 6x80-2BP, NA7000, Installation Combi wide front, Installation drawing, Proud, NA

A – Cut-out (4" x 28" / 100 mm x 720 mm) in the bottom of the cabinet for power cord and ventilation. – Electrical and water supplies are recommended to be placed in adjacent cabinetry. Additional cabinet depth is required when placing the electrical and water supplies behind the appliance. E = Electric connection



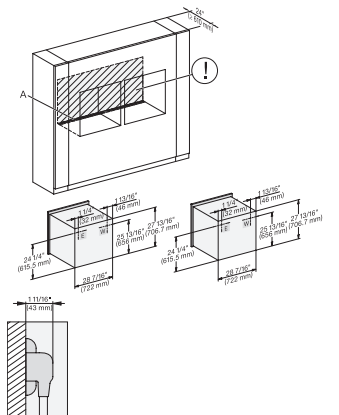
H 6x80 BP, H 6x70 BM, ESW 6x85, H 6x80-2BP, NA7000, Installation Combi wide front, Installation drawing, Proud, NA

A – Cut-out (4" x 28" / 100 mm x 720 mm) in the bottom of the cabinet for power cord and ventilation. – Electrical and water supplies are recommended to be placed in adjacent cabinetry. Additional cabinet depth is required when placing the electrical and water supplies behind the appliance. E = Electric connection



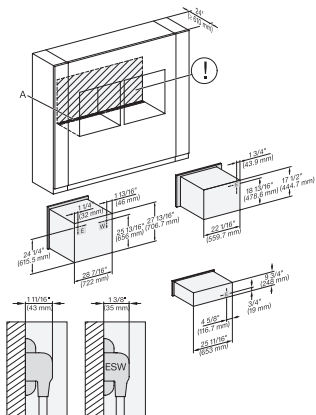
H 6x80 BP, H 6x70 BM, ESW 6x80, H 6x80-2BP, NA7000, Installation Combi wide front, Installation drawing, Proud, NA

A – Cut-out (4" x 28" / 100 mm x 720 mm) in the bottom of the cabinet for power cord and ventilation. – Electrical and water supplies are recommended to be placed in adjacent cabinetry. Additional cabinet depth is required when placing the electrical and water supplies behind the appliance. E = Electric connection



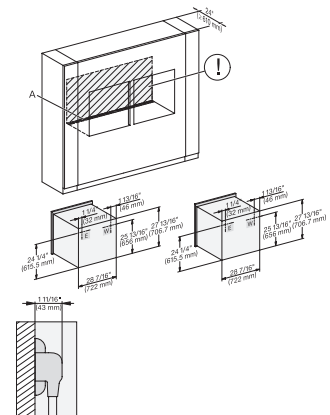
H 6x80 BP, H 6x80-2BP, H2x80BP, H7x80BP, Installation Combi wide front side by side, Installation drawing, Proud, NA

A – Cut-out (4" x 28" / 100 mm x 720 mm) in the bottom of the cabinet for power cord and ventilation. – Electrical and water supplies are recommended to be placed in adjacent cabinetry. Additional cabinet depth is required when placing the electrical and water supplies behind the appliance. E = Electric connection



H6x80(2)BP, H6x70BM, ESW6x85, H2x80BP, H7x80BP, Installation Combi wide front side by side, Installation drawing, Proud

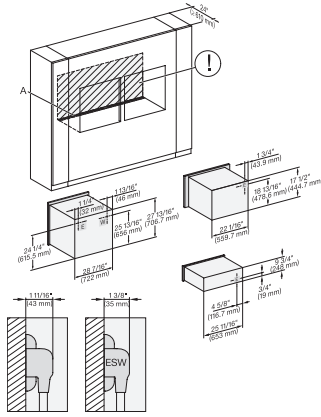
A – Cut-out (4" x 28" / 100 mm x 720 mm) in the bottom of the cabinet for power cord and ventilation. – Electrical and water supplies are recommended to be placed in adjacent cabinetry. Additional cabinet depth is required when placing the electrical and water supplies behind the appliance. E = Electric connection



H6x80BP, H6x80-2BP, H2x80BP, H7x80BP, Installation Combi wide front side by side without wall, Installation drawing

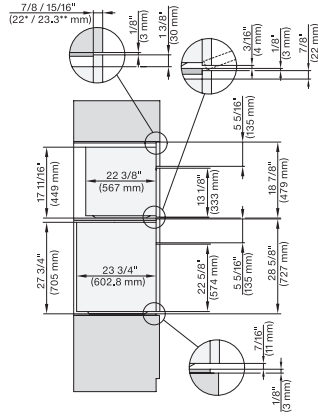
A – Cut-out (4" x 28" / 100 mm x 720 mm) in the bottom of the cabinet for power cord and ventilation. – Electrical and water supplies are recommended to be placed in adjacent cabinetry. Additional cabinet depth is required when placing the electrical and water supplies behind the appliance. E = Electric connection

## H 7280 BP 30 Inch Convection Oven with clear text display, connectivity, and Self Clean.



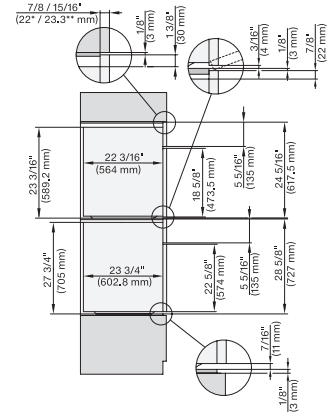
H6x80 BP, H6x70BM, ESW6x85, H6x80-2BP, NA7000, Installation Combi w. front side by side without wall, drawing, Proud, NA

A – Cut-out (4" x 28" / 100 mm x 720 mm) in the bottom of the cabinet for power cord and ventilation. – Electrical and water supplies are recommended to be placed in adjacent cabinetry. Additional cabinet depth is required when placing the electrical and water supplies behind the appliance. E = Electric connection



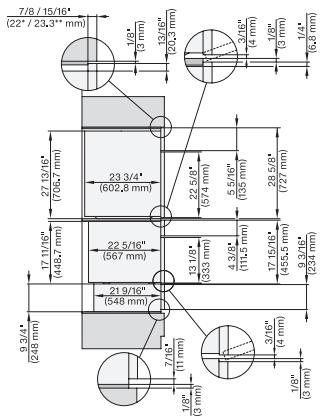
DGC7x7(X), H7x8(X)BP, side view, 30 Zoll, Flush inset, combi, XL, 650

7/8" – 22" mm – Glass, 15/16" – 23.3\*\* mm – Stainless steel



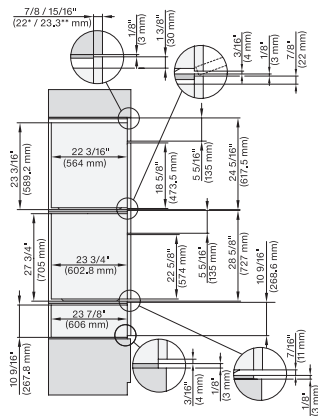
DGC7x8(X), H2x80BP, H7x8(X)BP(X), side view, 30 Zoll, Flush inset, combi, XXL 650

7/8" – 22" mm – Glass, 15/16" – 23.3\*\* mm – Stainless steel



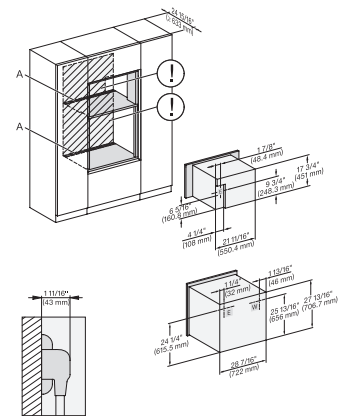
DGC7x4(X)+EBA7848, H2x80BP, H7x8(X)BP(X), ESW7x70, EVS7670, side view, 30 Zoll, Flush inset, combi, XL, 650

7/8" – 22" mm – Glass, 15/16" – 23.3\*\* mm – Stainless steel



DGC7x8(X), H2x80BP, H7x8(X)BP, ESW7x80, side view, 30 Zoll, Flush inset, combi, XXL, 650, ESW30

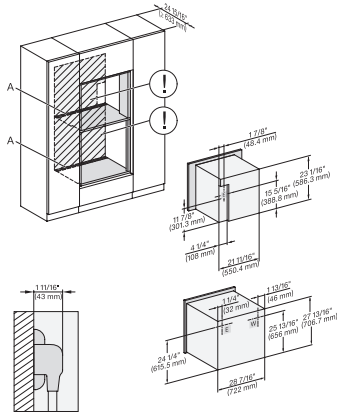
7/8" – 22" mm – Glass, 15/16" – 23.3\*\* mm – Stainless steel



DGC7x4(X)+EBA7848, H2880BP, H7x8(X)BP(X), Installation, 30 Zoll, Flush inset, combi, XL, 650

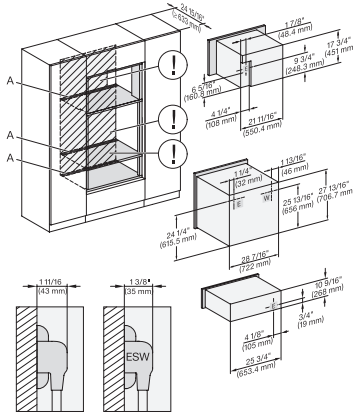
A – Cut-out (4" x 28" / 100 mm x 720 mm) in the bottom of the cabinet for power cord and ventilation. – Electrical and water supplies are recommended to be placed in adjacent cabinetry. Additional cabinet depth is required when placing the electrical and water supplies behind the appliance. E = Electric connection

## H 7280 BP 30 Inch Convection Oven with clear text display, connectivity, and Self Clean.



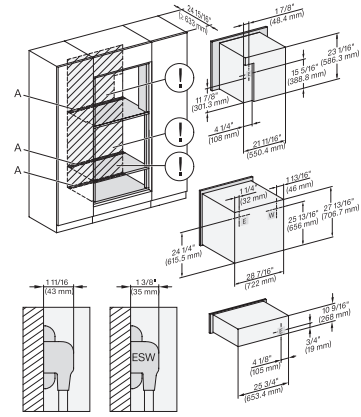
DGC786x+EBA7868, H280BP, H7x8xBP(X), Installation, 30 Zoll, Flush inset, combi, XXL, 650

A – Cut-out (4" x 28" / 100 mm x 720 mm) in the bottom of the cabinet for power cord and ventilation. – Electrical and water supplies are recommended to be placed in adjacent cabinetry. Additional cabinet depth is required when placing the electrical and water supplies behind the appliance. E = Electric connection



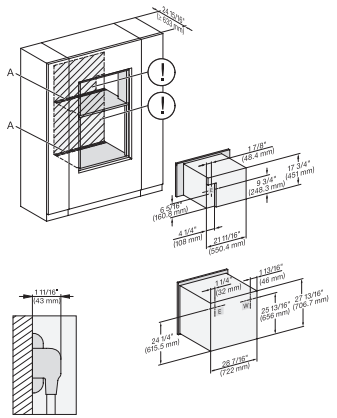
DGC7x4x+EBA7848, H280BP, H7x8xBP(X), ESW7x80, Installation, 30 Zoll, Flush inset, combi, XL, 650

A – Cut-out (4" x 28" / 100 mm x 720 mm) in the bottom of the cabinet for power cord and ventilation. – Electrical and water supplies are recommended to be placed in adjacent cabinetry. Additional cabinet depth is required when placing the electrical and water supplies behind the appliance. E = Electric connection



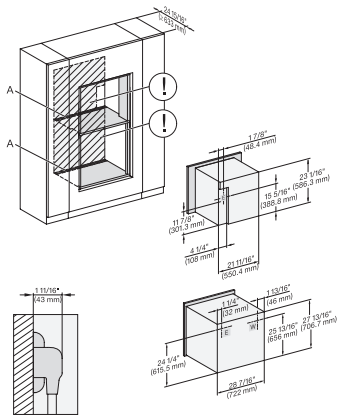
DGC786x+EBA7868, H7x80BP(X), ESW7x80, Installation, 30 Zoll, Flush inset, combi, XXL, 650

A – Cut-out (4" x 28" / 100 mm x 720 mm) in the bottom of the cabinet for power cord and ventilation. – Electrical and water supplies are recommended to be placed in adjacent cabinetry. Additional cabinet depth is required when placing the electrical and water supplies behind the appliance. E = Electric connection



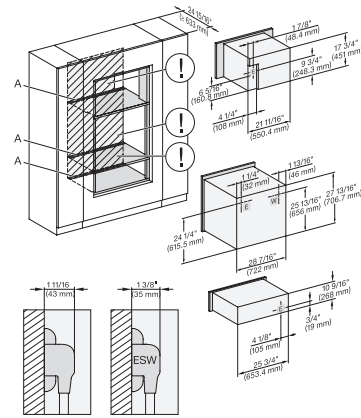
DGC7x4x+EBA7848, H2880BP, H7x8xBP(X), Installation, 30 Zoll, Flush inset, combi, wide front, XL, 650

A – Cut-out (4" x 28" / 100 mm x 720 mm) in the bottom of the cabinet for power cord and ventilation. – Electrical and water supplies are recommended to be placed in adjacent cabinetry. Additional cabinet depth is required when placing the electrical and water supplies behind the appliance. E = Electric connection



DGC786x+EBA78808, H2880BP, H7x80BP(X), Installation, 30 Zoll, Flush inset, brete Front, XXL, 650

A – Cut-out (4" x 28" / 100 mm x 720 mm) in the bottom of the cabinet for power cord and ventilation. – Electrical and water supplies are recommended to be placed in adjacent cabinetry. Additional cabinet depth is required when placing the electrical and water supplies behind the appliance. E = Electric connection

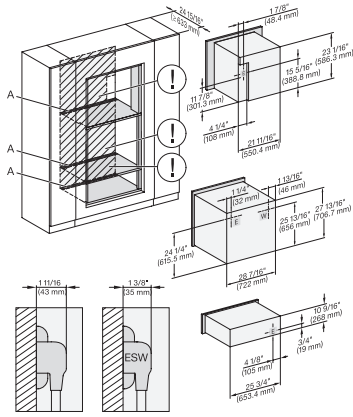


DGC7x4x+EBA7848, H2880BP, H7x8xBP(X), ESW7x80, Installation, 30 Zoll, Flush inset, combi, wide front, XL, 650

A – Cut-out (4" x 28" / 100 mm x 720 mm) in the bottom of the cabinet for power cord and ventilation. – Electrical and water supplies are recommended to be placed in adjacent cabinetry. Additional cabinet depth is required when placing the electrical and water supplies behind the appliance. E = Electric connection

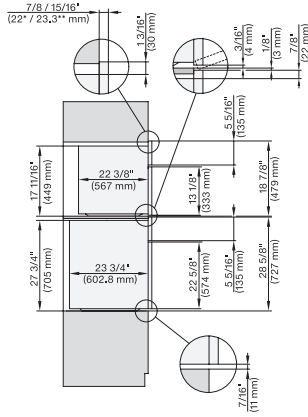


## H 7280 BP 30 Inch Convection Oven with clear text display, connectivity, and Self Clean.



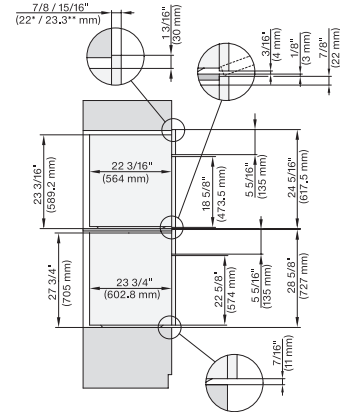
DGC786x+EBA7868, H7x80BP(X), ESW7x80, Installation, 30 Zoll, Flush inset, combi, wide front XXL, 650

A – Cut-out (4" x 28" / 100 mm x 720 mm) in the bottom of the cabinet for power cord and ventilation. – Electrical and water supplies are recommended to be placed in adjacent cabinetry. Additional cabinet depth is required when placing the electrical and water supplies behind the appliance., E = Electric connection



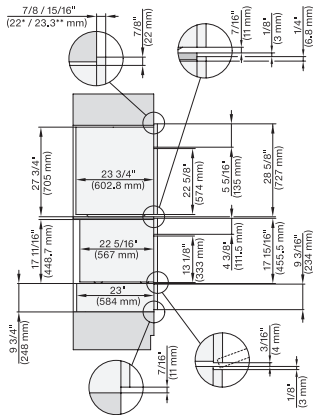
DGC7xxx, H2x80BP, H7x8xBP(X), side view, 30 Zoll, Proud, combi, XL, 650

7/8" – 22" mm – Glass, 15/16" – 23.3\*\* mm – Stainless steel



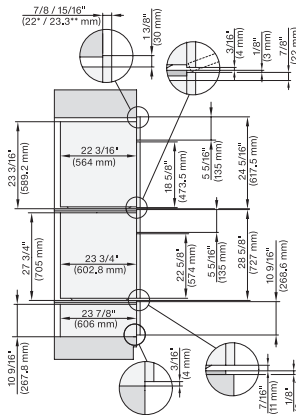
DGC7x8x, H2x80BP, H7x8xBP(X), side view, 30 Zoll, Proud, combi, XXL 650

7/8" – 22" mm – Glass, 15/16" – 23.3\*\* mm – Stainless steel



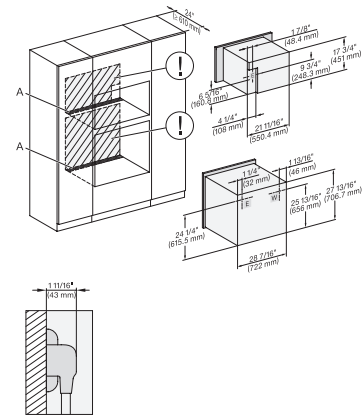
DGC7x4x+EBA7848, H7x80BP, H7x8xBP(X), ESW7x70, EVS7670, side view, 30 Zoll, Proud, combi, XL, 650

7/8" – 22" mm – Glass, 15/16" – 23.3\*\* mm – Stainless steel



DGC7x8x(X), H2x80BP, H7x8xBP(X), ESW7x80, side view, 30 Zoll, Proud, combi, XXL, 650

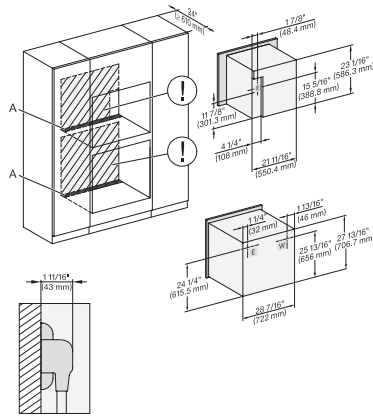
7/8" – 22" mm – Glass, 15/16" – 23.3\*\* mm – Stainless steel



DGC7x4x+EBA7848, H2880BP, H7x8xBP(X), Installation, 30 Zoll, Proud, combi, 650

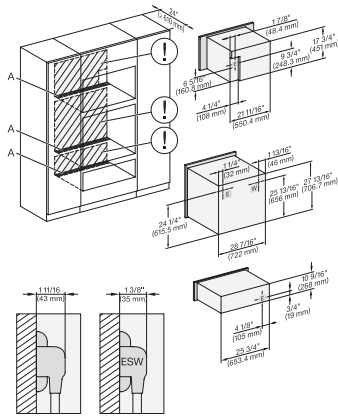
A – Cut-out (4" x 28" / 100 mm x 720 mm) in the bottom of the cabinet for power cord and ventilation. – Electrical and water supplies are recommended to be placed in adjacent cabinetry. Additional cabinet depth is required when placing the electrical and water supplies behind the appliance., E = Electric connection

## H 7280 BP 30 Inch Convection Oven with clear text display, connectivity, and Self Clean.



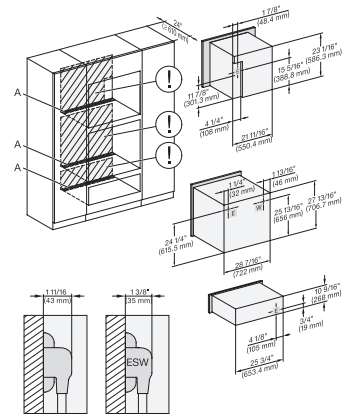
DGC786x+EBA7868, H2880BP, H7x8xBP(X), Installation, 30 Zoll Proud, combi, XXL, 650

A – Cut-out (4" x 28" / 100 mm x 720 mm) in the bottom of the cabinet for power cord and ventilation. – Electrical and water supplies are recommended to be placed in adjacent cabinetry. Additional cabinet depth is required when placing the electrical and water supplies behind the appliance. E = Electric connection



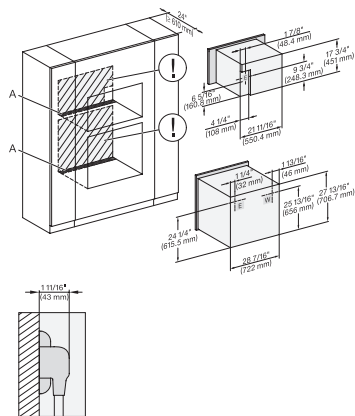
DGC7x4x+EBA7848, H2880BP, H7x6xBP(X), ESW7x80, Installation, 30 Zoll, Proud, combi, XL, 650

A – Cut-out (4" x 28" / 100 mm x 720 mm) in the bottom of the cabinet for power cord and ventilation. – Electrical and water supplies are recommended to be placed in adjacent cabinetry. Additional cabinet depth is required when placing the electrical and water supplies behind the appliance. E = Electric connection



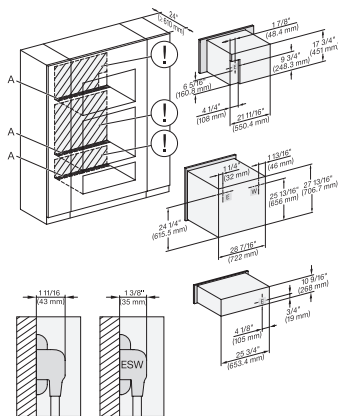
DGC786x+EBA7868, H7x8xBP, ESW7x80, Installation, 30 Zoll, Proud, combi, XXL, 650

A – Cut-out (4" x 28" / 100 mm x 720 mm) in the bottom of the cabinet for power cord and ventilation. – Electrical and water supplies are recommended to be placed in adjacent cabinetry. Additional cabinet depth is required when placing the electrical and water supplies behind the appliance. E = Electric connection



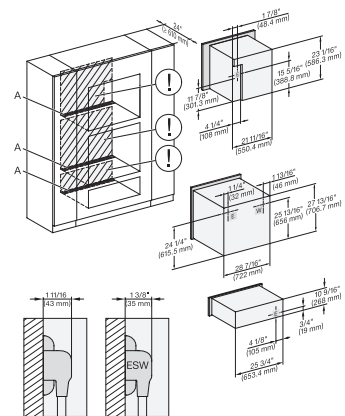
DGC7x4x+EBA7848, H2880BP, H7280BPX, Installation, 30 Zoll, Proud, combi, wide front, XL, 650

A – Cut-out (4" x 28" / 100 mm x 720 mm) in the bottom of the cabinet for power cord and ventilation. – Electrical and water supplies are recommended to be placed in adjacent cabinetry. Additional cabinet depth is required when placing the electrical and water supplies behind the appliance. E = Electric connection



DGC7x4x+EBA7848, H2880BP, H7x8xBP, ESW7x80, Installation, 30 Zoll, Proud, combi, wide front, XL, 650

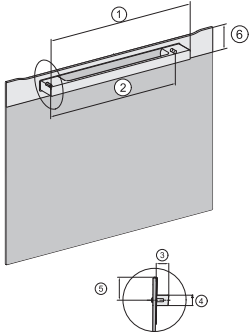
A – Cut-out (4" x 28" / 100 mm x 720 mm) in the bottom of the cabinet for power cord and ventilation. – Electrical and water supplies are recommended to be placed in adjacent cabinetry. Additional cabinet depth is required when placing the electrical and water supplies behind the appliance. E = Electric connection



DGC786x+EBA7868, H7x80BP(X), ESW7x80, Installation, 30 Zoll, Proud, combi, wide front, XXI, 650

A – Cut-out (4" x 28" / 100 mm x 720 mm) in the bottom of the cabinet for power cord and ventilation. – Electrical and water supplies are recommended to be placed in adjacent cabinetry. Additional cabinet depth is required when placing the electrical and water supplies behind the appliance. E = Electric connection

H 7280 BP  
30 Inch Convection Oven  
with clear text display, connectivity, and Self Clean.



Handle H72xx, H76xx, H78xx, PureLine – NA7000 -  
Installation drawing

H2880BP, H7270BM, H7670BM, H7870BM, H7280BP,  
H7680BP, H7880BP, H7880BP2: 19 11/16" / 500 mm,  
17 1/2" / 444 mm, 1 7/8" / 47 mm, 15/16" / 24 mm,  
1 1/4" / 32,5 mm, 2 9/16" / 65 mm, H7240BM,  
H7640BM, H7840BM, H7263BP, H7660BP: 15 3/4" /  
400 mm, 14 3/16" / 360 mm, 1 7/8" / 47 mm, 15/16"  
/ 24 mm, 1 1/4" / 32,5 mm, 2 9/16" / 65 mm