

H 7240 BM AM

24" compact speed oven

in a perfectly combinable design with automatic programs and combi modes.



- Clear-text display with sensor controls – DirectSensor S
- Easy cleaning – cavity with linen-weave pattern & PerfectClean
- Faster and more consistent results – Quick & Gentle
- Network-enabled WiFi appliance – Miele@home
- What you want is just a button away – Quick MW and Popcorn button

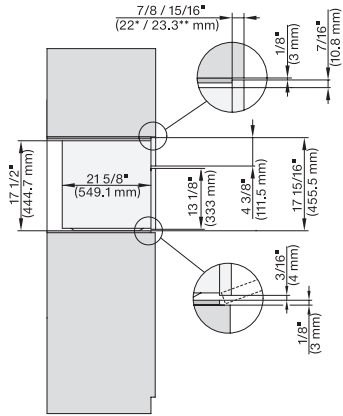
EAN: 4002516484554 / Material number: 11804510 / Old Material Number: 22724046USA

Design	
Appliance color	Clean Touch Steel
Construction type and design	
Built-in wall speed oven	•
PureLine	•
Convenience features	
Quick & Gentle	•
Rapid PreHeat	•
Operating modes	
Defrost	•
MasterChef automatic programs	•
Auto roast	•
Maxi Broil	•
Microwave	•
Combi Auto Roast	•
Combi Bake	•
Combi Broil	•
Convection Roast	•
User convenience	
Networking with Miele@home	•
Control panel	DirectSensor S
SoftOpen	•
SoftClose	•
3 in 1	Oven, Microwave, Oven with microwave function
MultiLingua	•
Popcorn function	•
Time of day display	•
Time synchronization	•
Minute minder	•
Programming start of cooking duration	•
Programming end of cooking duration	•
Programmable cooking time	•
Actual temperature display	•
Audible signal when desired temperature is reached	•
Default temperature	•
Recommended microwave power	•
Minute Plus button	•
Individual settings	•
Cleaning convenience	
Clean Touch Steel surface	•
Stainless-steel cavity with linen surface structure	•
Foldable broil heater element	•
CleanGlass door	•
Safety	
Appliance cooling system and cool touch front	•
Safety cut-out	•
System lock	•
Technical data	
Cavity volume in cu.ft (l)	1.52 (43)

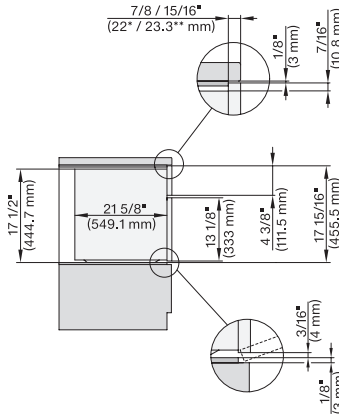
H 7240 BM AM

24" compact speed oven

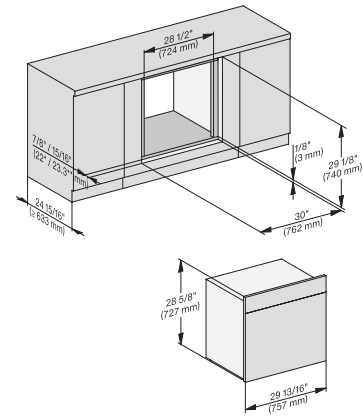
in a perfectly combinable design with automatic programs and combi modes.



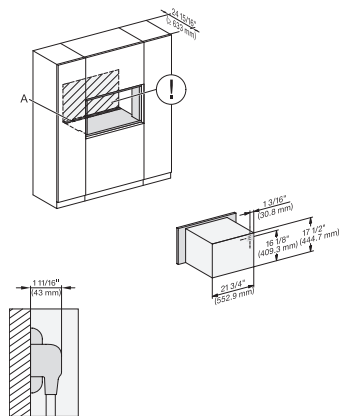
side view 30 inch Flush inset 450S, installation drawing, NA
7/8" – 22" mm – Glas, 15/16" – 23.3" mm – Edelstahl



side view 30 inch Flush inset built-under 450S, installation drawing, NA
7/8" – 22" mm – Glas, 15/16" – 23.3" mm – Edelstahl

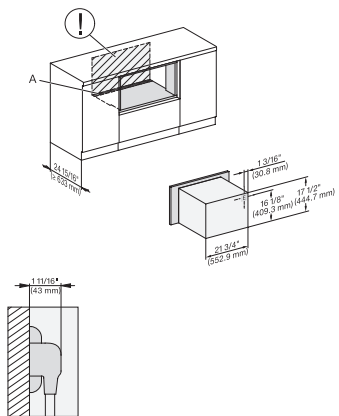


installation 30 inch Flush inset built-under wide front, installation drawing, NA
7/8" – 22" mm – Glas, 15/16" – 23.3" mm – Edelstahl



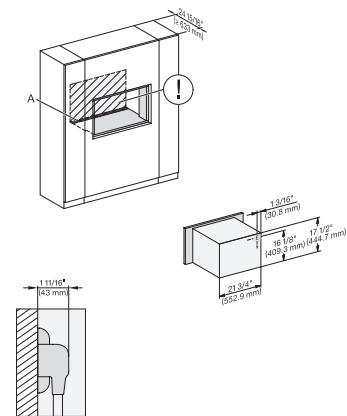
installation 30 inch Flush inset 450S, installation drawing, NA

A – Cut-out (4" x 28" / 100 mm x 720 mm) in the bottom of the cabinet for power cord and ventilation. – Electrical and water supplies are recommended to be placed in adjacent cabinetry. Additional cabinet depth is required when placing the electrical and water supplies behind the appliance., E = Electric connection



installation 30 inch Flush inset built-under 450S, installation drawing, NA

A – Cut-out (4" x 28" / 100 mm x 720 mm) in the bottom of the cabinet for power cord and ventilation. – Electrical and water supplies are recommended to be placed in adjacent cabinetry. Additional cabinet depth is required when placing the electrical and water supplies behind the appliance., E = Electric connection,



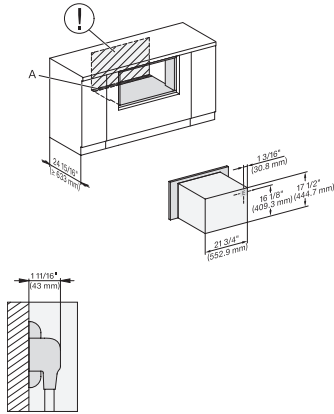
installation 30 inch Flush inset wide front 450S, installation drawing, NA

A – Cut-out (4" x 28" / 100 mm x 720 mm) in the bottom of the cabinet for power cord and ventilation. – Electrical and water supplies are recommended to be placed in adjacent cabinetry. Additional cabinet depth is required when placing the electrical and water supplies behind the appliance., E = Electric connection

H 7240 BM AM

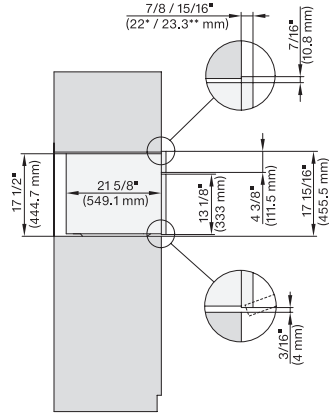
24" compact speed oven

in a perfectly combinable design with automatic programs and combi modes.

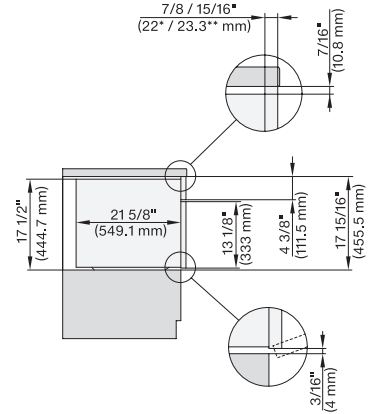


installation 30 inch Flush inset built-under wide front 450S, installation drawing, NA

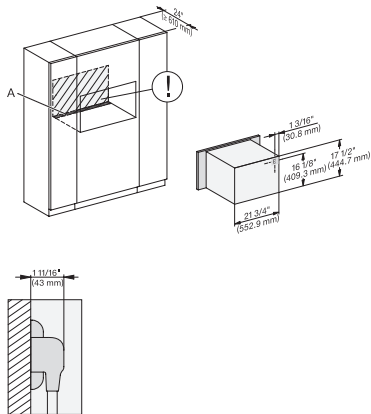
A – Cut-out (4" x 28" / 100 mm x 720 mm) in the bottom of the cabinet for power cord and ventilation. – Electrical and water supplies are recommended to be placed in adjacent cabinetry. Additional cabinet depth is required when placing the electrical and water supplies behind the appliance. E = Electric connection.



side view 30 inch Proud 450S, installation drawing, NA
7/8" – 22" mm – Glas, 15/16" – 23.3" mm – Edelstahl

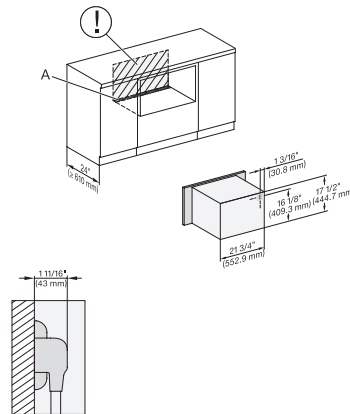


side view 30 inch Proud built-under 450S, installation drawing, NA
7/8" – 22" mm – Glas, 15/16" – 23.3" mm – Edelstahl



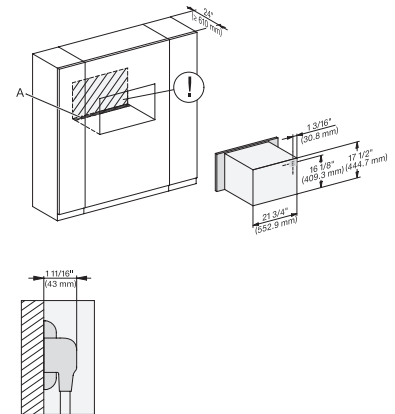
installation 30 inch Proud 450S, installation drawing, NA

A – Cut-out (4" x 28" / 100 mm x 720 mm) in the bottom of the cabinet for power cord and ventilation. – Electrical and water supplies are recommended to be placed in adjacent cabinetry. Additional cabinet depth is required when placing the electrical and water supplies behind the appliance. E = Electric connection



installation 30 inch Proud built-under 450S, installation drawing, NA

A – Cut-out (4" x 28" / 100 mm x 720 mm) in the bottom of the cabinet for power cord and ventilation. – Electrical and water supplies are recommended to be placed in adjacent cabinetry. Additional cabinet depth is required when placing the electrical and water supplies behind the appliance. E = Electric connection.



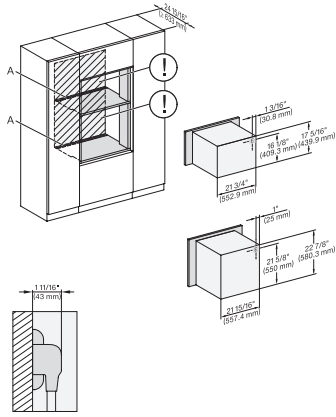
installation 30 inch Proud wide front 450S, installation drawing, NA

A – Cut-out (4" x 28" / 100 mm x 720 mm) in the bottom of the cabinet for power cord and ventilation. – Electrical and water supplies are recommended to be placed in adjacent cabinetry. Additional cabinet depth is required when placing the electrical and water supplies behind the appliance. E = Electric connection

H 7240 BM AM

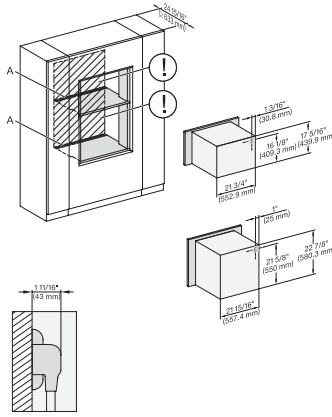
24" compact speed oven

in a perfectly combinable design with automatic programs and combi modes.



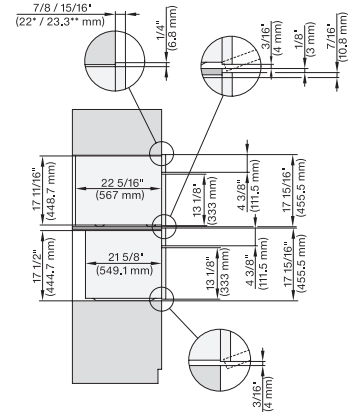
H 6560 B + EBA 6808, H 6x60 BP + EBA 6808, H 6x00 BM, H 7xxx, EBA 78x8, Installation drawing, Flush inset, NA

A – Cut-out (4" x 28" / 100 mm x 720 mm) in the bottom of the cabinet for power cord and ventilation. – Electrical and water supplies are recommended to be placed in adjacent cabinetry. Additional cabinet depth is required when placing the electrical and water supplies behind the appliance. E = Electric connection



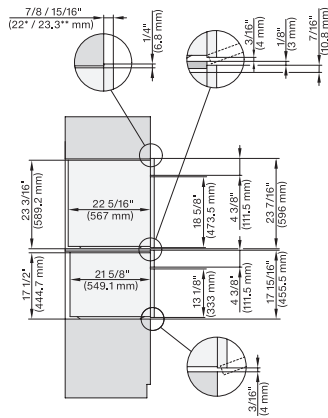
H 6560 B + EBA 6808, H 6x60 BP, H 6x00 BM, H 7xxx BM/BP, EBA 78x8, Installation drawing, Flush inset, NA

A – Cut-out (4" x 28" / 100 mm x 720 mm) in the bottom of the cabinet for power cord and ventilation. – Electrical and water supplies are recommended to be placed in adjacent cabinetry. Additional cabinet depth is required when placing the electrical and water supplies behind the appliance. E = Electric connection



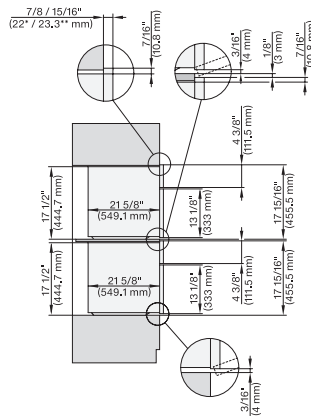
DGC 6x00-1 + EBA6808, H 6x00 BM+EBA 6808, DGC7x4x(+EBA7848), H7x40BM(+EBA7848), Combi, Installation drawing, Proud, NA

7/8" – 22" mm – Glas, 15/16" – 23.3" mm – Edelstahl



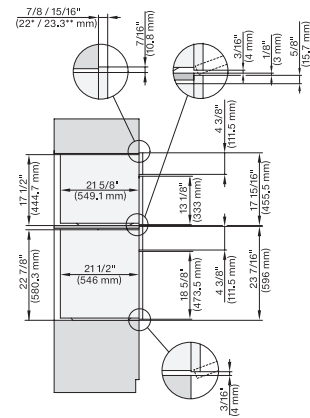
DGC6x6x(AM) + EBA6808, H6x00+EBA6808, DGC786x+EBA7868, H7x40BM+EBA7848, Combi, Installation drawing, Proud, Flush inset, NA

7/8" – 22" mm – Glas, 15/16" – 23.3" mm – Edelstahl



H 6x00 BM + EBA 6808, H7x40BM(+EBA7848), Combi, Installation drawing, Proud, NA

7/8" – 22" mm – Glas, 15/16" – 23.3" mm – Edelstahl



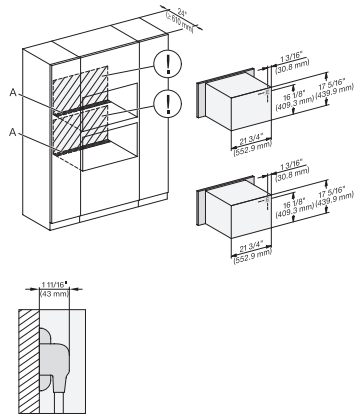
H 6560 B + EBA 6808, H 6x60 BP + EBA 6808, H 6x00 BM + EBA 6808, H7xxx+EBA7x7x, Combi, Installation drawing, Proud, NA

7/8" – 22" mm – Glas, 15/16" – 23.3" mm – Edelstahl

H 7240 BM AM

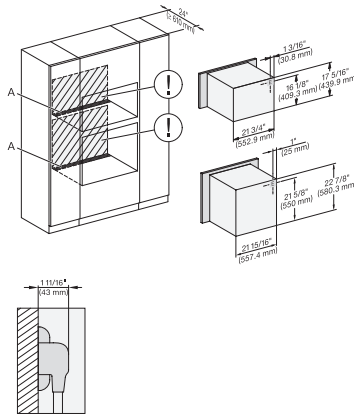
24" compact speed oven

in a perfectly combinable design with automatic programs and combi modes.



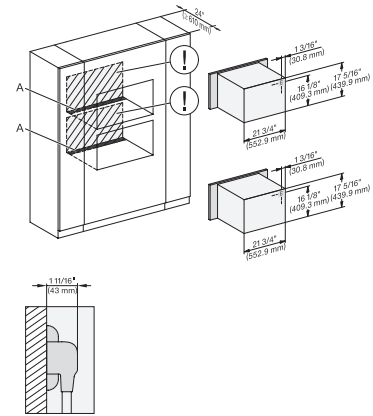
H 6x00 BM + EBA 6808, H7x40BM(+EBA7848), NA7000 Installation Combi, Installation drawing, Proud, NA

A – Cut-out (4" x 28" / 100 mm x 720 mm) in the bottom of the cabinet for power cord and ventilation. – Electrical and water supplies are recommended to be placed in adjacent cabinetry. Additional cabinet depth is required when placing the electrical and water supplies behind the appliance. E = Electric connection



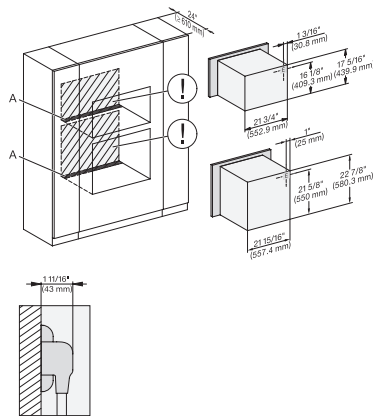
H 6560 B + EBA 6808, H 6x60 BP + EBA6808, H6x00BM + EBA6808, NA7000 Installation Combi, Installation drawing, Proud, NA

A – Cut-out (4" x 28" / 100 mm x 720 mm) in the bottom of the cabinet for power cord and ventilation. – Electrical and water supplies are recommended to be placed in adjacent cabinetry. Additional cabinet depth is required when placing the electrical and water supplies behind the appliance. E = Electric connection



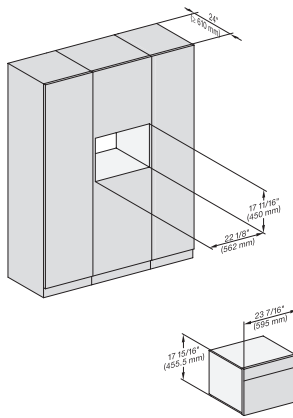
H 6x00 BM + EBA 6808, H7x40BM (+EBA7848), Installation Combi wide front, Installation drawing, Proud, NA

A – Cut-out (4" x 28" / 100 mm x 720 mm) in the bottom of the cabinet for power cord and ventilation. – Electrical and water supplies are recommended to be placed in adjacent cabinetry. Additional cabinet depth is required when placing the electrical and water supplies behind the appliance. E = Electric connection

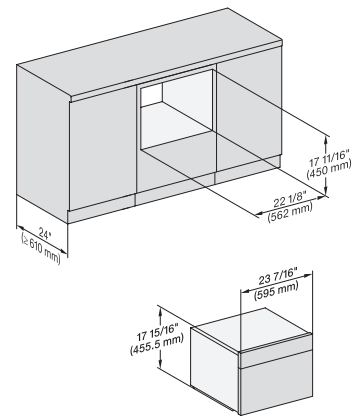


(H6560B, H6x60BP, H6x00BM) + EBA6808, NA7000 Installation Combi wide front, Installation drawing, Proud, NA

A – Cut-out (4" x 28" / 100 mm x 720 mm) in the bottom of the cabinet for power cord and ventilation. – Electrical and water supplies are recommended to be placed in adjacent cabinetry. Additional cabinet depth is required when placing the electrical and water supplies behind the appliance. E = Electric connection



installation Proud 450S, installation drawing, NA

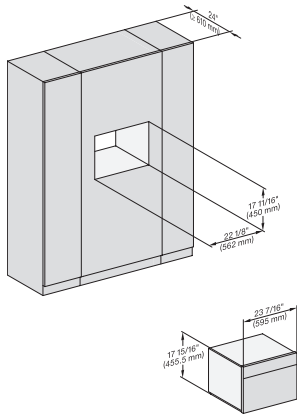


installation Proud built-under 450S, installation drawing, NA

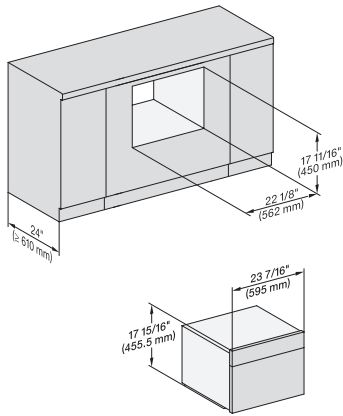
H 7240 BM AM

24" compact speed oven

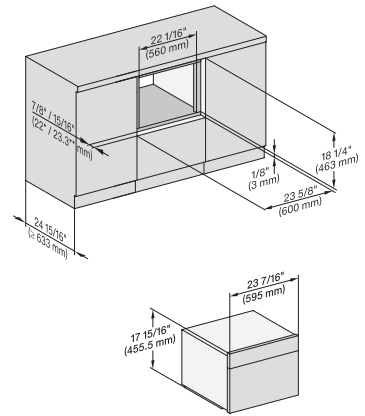
in a perfectly combinable design with automatic programs and combi modes.



installation Proud wide front 450S, installation drawing, NA

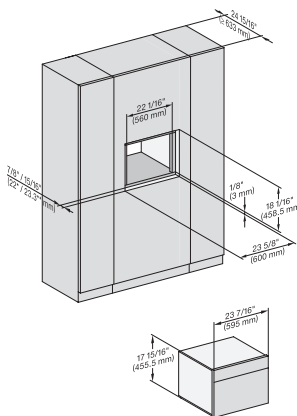


installation Proud build-under wide front 450S, installation drawing, NA



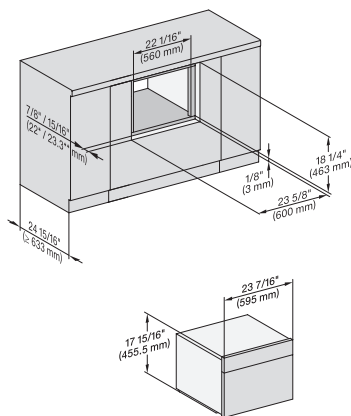
installation Flush inset built-under 450S, installation drawing, NA

7/8" – 22* mm – Glass, 15/16" – 23.3** mm – Stainless steel



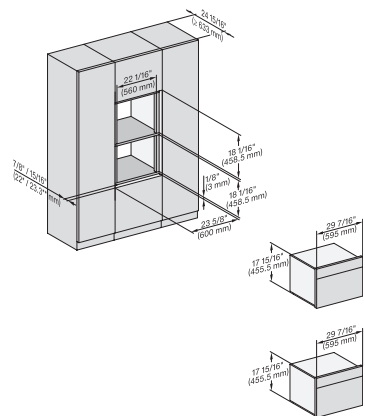
installation Flush inset wide front 450S, installation drawing, NA

7/8" – 22* mm – Glass, 15/16" – 23.3** mm – Stainless steel



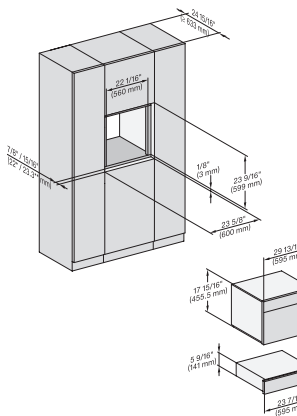
installation Flush inset build-under wide front 450S, Skizze, NA

7/8" – 22* mm – Glass, 15/16" – 23.3** mm – Stainless steel



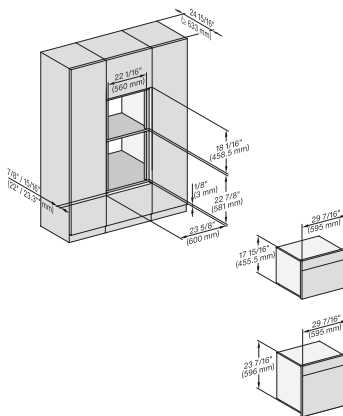
DGC7x4x, H7x40BM, Einbau, 30 Zoll, Flush inset, combi 450S

7/8" – 22* mm – Glass, 15/16" – 23.3** mm – Stainless steel



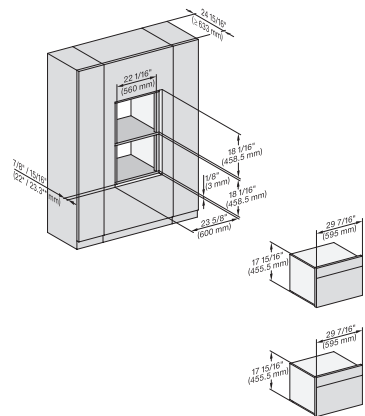
DGC7x40, DGC7485, H7x40BM, ESW7x10, EVS7010, Einbau 30 Zoll, Flush inset, combi, 450S

7/8" – 22* mm – Glass, 15/16" – 23.3** mm – Stainless steel



DGC7x4x, H7x40BM, H7x6xBP, Einbau, 30 Zoll Flush inset, combi, 650S, 450S

7/8" – 22* mm – Glass, 15/16" – 23.3** mm – Stainless steel



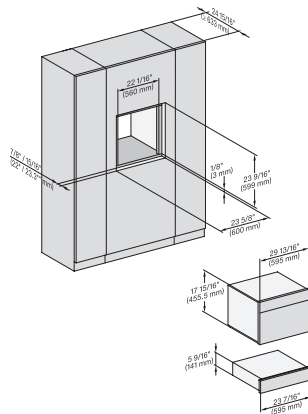
DGC7x4x, DGC7485, H7x40BM, Einbau, 30 Zoll, Flush inset, combi, wide front, 450S

7/8" – 22* mm – Glass, 15/16" – 23.3** mm – Stainless steel

H 7240 BM AM

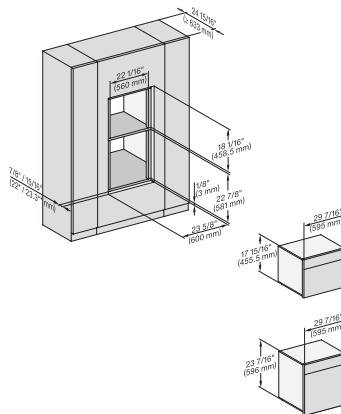
24" compact speed oven

in a perfectly combinable design with automatic programs and combi modes.



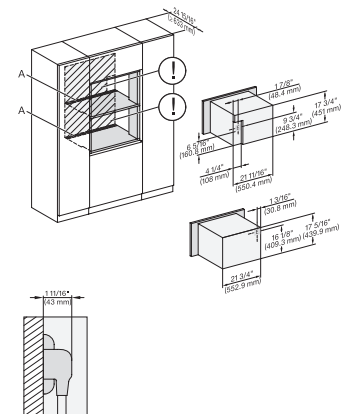
DGC7xxx, H7x40BM, ESW7x10, EVS7010, Einbau, 30 Zoll, Flush inset, combi, wide front, 450S

7/8" – 22" mm – Glass, 15/16" – 23.3" mm – Stainless steel



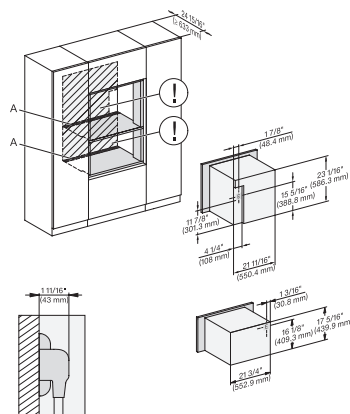
DGC7xxx, H7x40BM, H7x6xBP, Einbau, 30 Zoll, Flush inset, combi, wide front, 650S, 450S

7/8" – 22" mm – Glass, 15/16" – 23.3" mm – Stainless steel



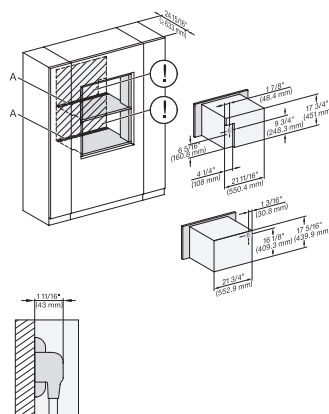
DGC7xxx+EBA7848, H7x40BM (+EBA7848), Installation, 30 Zoll, Flushinset, combi, XL, 450S

A – Cut-out (4" x 28" / 100 mm x 720 mm) in the bottom of the cabinet for power cord and ventilation. – Electrical and water supplies are recommended to be placed in adjacent cabinetry. Additional cabinet depth is required when placing the electrical and water supplies behind the appliance. E = Electric connection



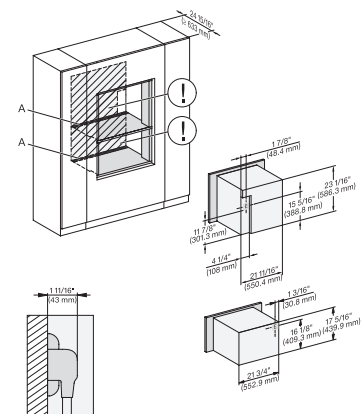
DGC786x(+EBA7848), H7x40BM(+EBA7848), Installation, 30 Zoll, Flush inset, combi, XXL, 450S

A – Cut-out (4" x 28" / 100 mm x 720 mm) in the bottom of the cabinet for power cord and ventilation. – Electrical and water supplies are recommended to be placed in adjacent cabinetry. Additional cabinet depth is required when placing the electrical and water supplies behind the appliance. E = Electric connection



DGC7x40(+EBA7848), H7x40BM(+EBA7848), H7840+EBA6808, Installation, 30 Zoll, flush inset, combi, wide front, XL, 450S

A – Cut-out (4" x 28" / 100 mm x 720 mm) in the bottom of the cabinet for power cord and ventilation. – Electrical and water supplies are recommended to be placed in adjacent cabinetry. Additional cabinet depth is required when placing the electrical and water supplies behind the appliance. E = Electric connection



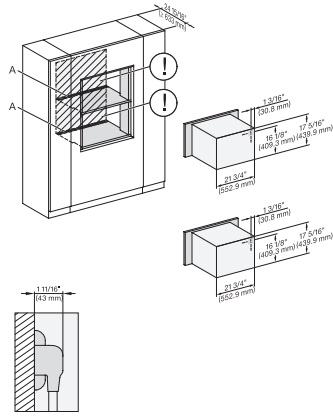
DGC786x+EBA7868, H7x40BM(+EBA7848), Installation, 30 Zoll, Flush inset, combi, wide front, XXL, 450S

A – Cut-out (4" x 28" / 100 mm x 720 mm) in the bottom of the cabinet for power cord and ventilation. – Electrical and water supplies are recommended to be placed in adjacent cabinetry. Additional cabinet depth is required when placing the electrical and water supplies behind the appliance. E = Electric connection

H 7240 BM AM

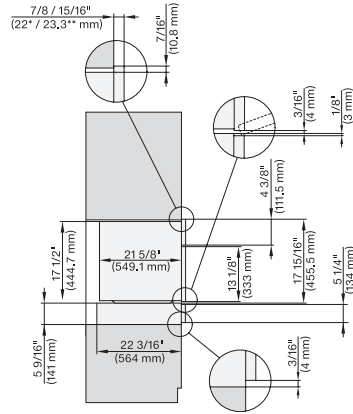
24" compact speed oven

in a perfectly combinable design with automatic programs and combi modes.



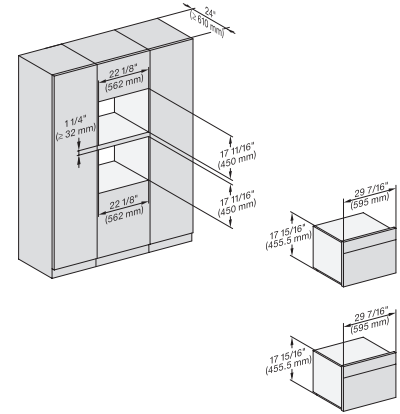
H7x40BM (+EBA7848), Installation, 30 Zoll, Flush inset, combi, wide front, 450S

A – Cut-out (4" x 28" / 100 mm x 720 mm) in the bottom of the cabinet for power cord and ventilation. – Electrical and water supplies are recommended to be placed in adjacent cabinetry. Additional cabinet depth is required when placing the electrical and water supplies behind the appliance. E = Electric connection



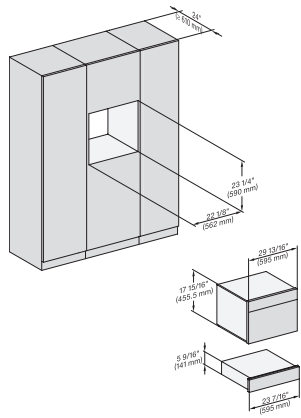
H7x40BM+EBA7848, ESW7x10, EVS7010, side view, 30 Zoll, Proud, combi, 450S

7/8" – 22" mm – Glass, 15/16" – 23.3" mm – Stainless steel



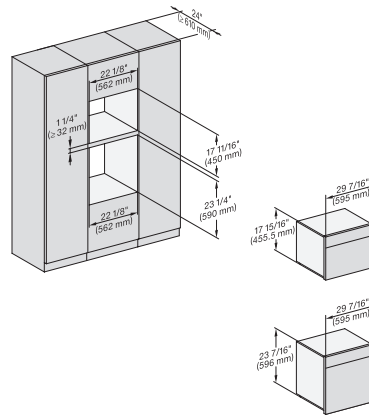
DDGC7xxx, H7x40BM, Einbau, 30 Zoll, Proud, combi, 450S

7/8" – 22" mm – Glass, 15/16" – 23.3" mm – Stainless steel



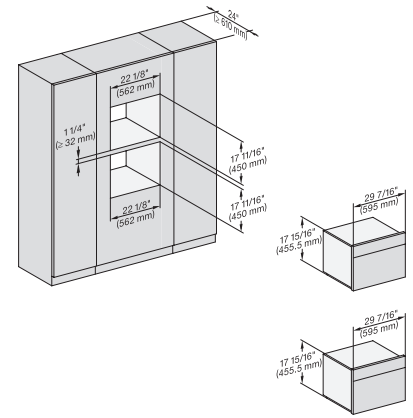
DGC7xxx, H7x40BM, ESW7x10, EVS, Einbau, 30 Zoll, Proud, combi, 450S

7/8" – 22" mm – Glass, 15/16" – 23.3" mm – Stainless steel



DGC7xxx, H7x4xBM, H7x6xBP, Einbau, 30 Zoll, Proud, combi, 650S, 450S

7/8" – 22" mm – Glass, 15/16" – 23.3" mm – Stainless steel

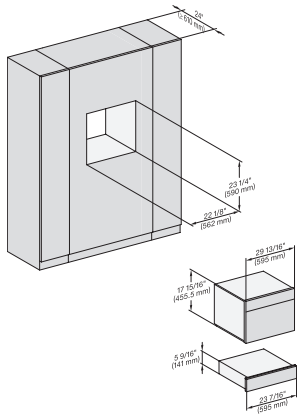


DGC7x4x, H7x40BM, Einbau, 30 Zoll, Proud, combi, wide front, 450S

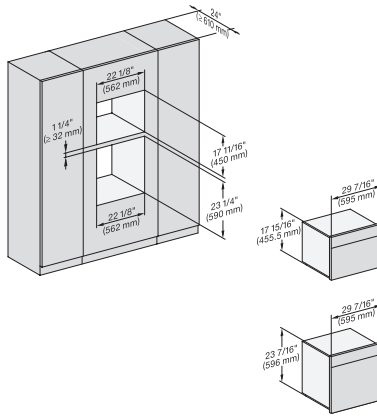
H 7240 BM AM

24" compact speed oven

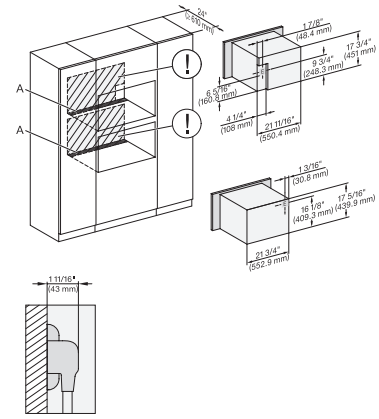
in a perfectly combinable design with automatic programs and combi modes.



DGC7x4x, H7x40BM, ESW7x10, EVS7010, Einbau, 30 Zoll, Proud, combi, wide front, 450S

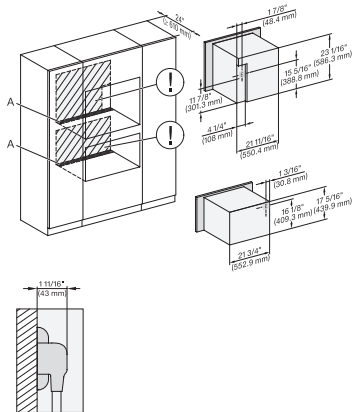


DGC7x4x, H7x40Bm, H7x6xBP, Einbau, 30 Zoll, Proud, combi, wide front, 650S, 450S



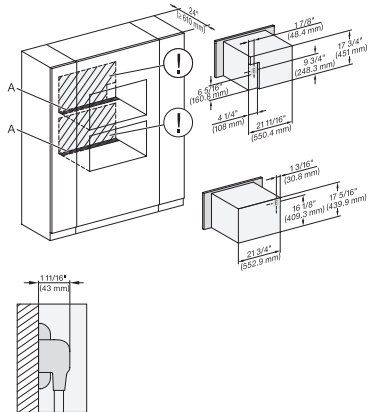
DGC7x4x(+EBA7848), H7x40BM(+EBA7848), Installation, 30 Zoll, Proud, combi, XL, 450S

A – Cut-out (4" x 28" / 100 mm x 720 mm) in the bottom of the cabinet for power cord and ventilation. – Electrical and water supplies are recommended to be placed in adjacent cabinetry. Additional cabinet depth is required when placing the electrical and water supplies behind the appliance. E = Electric connection



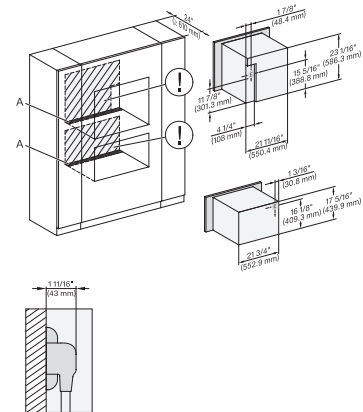
DGC786x(+EBA7848), H7x40BM(+EBA7848), Installation, 30 Zoll, Proud, combi, XXL, 450S

A – Cut-out (4" x 28" / 100 mm x 720 mm) in the bottom of the cabinet for power cord and ventilation. – Electrical and water supplies are recommended to be placed in adjacent cabinetry. Additional cabinet depth is required when placing the electrical and water supplies behind the appliance. E = Electric connection



DGC7x4x(+EBA7848), H7x40BM(+EBA7848), Installation, 30 Zoll, Proud, combi, wide front XL, 450S

A – Cut-out (4" x 28" / 100 mm x 720 mm) in the bottom of the cabinet for power cord and ventilation. – Electrical and water supplies are recommended to be placed in adjacent cabinetry. Additional cabinet depth is required when placing the electrical and water supplies behind the appliance. E = Electric connection



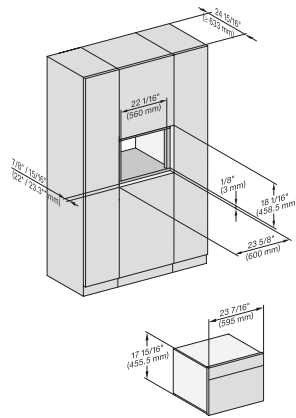
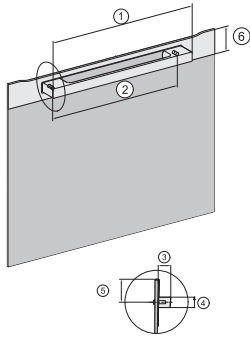
DGC786x(+EBA7848), H7x40BM(+EBA7848), Installation, 30 Zoll, Proud, combi, wide front, XXL, 450S

A – Cut-out (4" x 28" / 100 mm x 720 mm) in the bottom of the cabinet for power cord and ventilation. – Electrical and water supplies are recommended to be placed in adjacent cabinetry. Additional cabinet depth is required when placing the electrical and water supplies behind the appliance. E = Electric connection

H 7240 BM AM

24" compact speed oven

in a perfectly combinable design with automatic programs and combi modes.



Handle H72xx, H76xx, H78xx, PureLine – NA7000 -
Installation drawing

H2880BP, H7270BM, H7670BM, H7870BM, H7280BP,
H7680BP, H7880BP, H7880BP2:, 19 11/16" / 500 mm,
17 1/2" / 444 mm, 1 7/8" / 47 mm, 15/16" / 24 mm,
1 1/4" / 32,5 mm, 2 9/16" / 65 mm, , H7240BM,
H7640BM, H7840BM, H7263BP, H7660BP:, 15 3/4" /
400 mm, 14 3/16" / 360 mm, 1 7/8" / 47 mm, 15/16"
/ 24 mm, 1 1/4" / 32,5 mm, 2 9/16" / 65 mm

installation Flush inset 450S, installation drawing, NA

7/8" – 22* mm – Glass, 15/16" – 23.3** mm – Stainless
steel, DGC: Minimum installation height 36" – 914 mm from
floor to the device installation surface