

H 7180 BP
30 Inch Convection Oven
with clear text display, connectivity, and Self Clean.

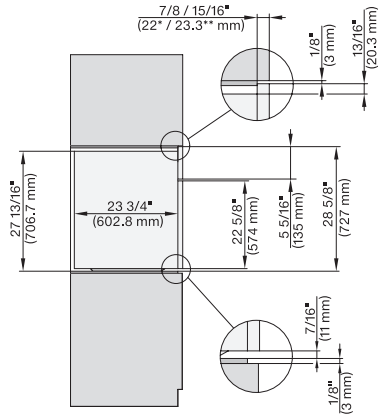


- Clear-text display with sensor controls – DirectSensor S
- Minimal cleaning effort – Self-cleaning
- Achieve perfect results with ease – Automatic programs
- Unlimited possibilities – volume of 4.59 cu. ft. on 6 levels
- Network-enabled WiFi appliance – Miele@home

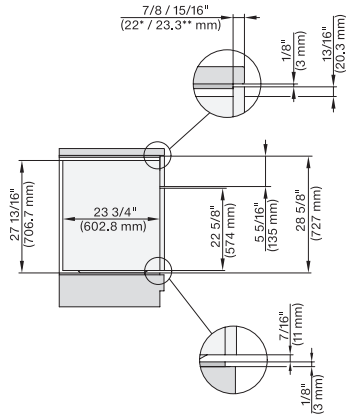
EAN: 4002516487241 / Material number: 11805340 / Old Material Number: 22718045USA

Construction type and design	
Built-in wall oven	•
ContourLine	•
Appliance color	Clean Touch Steel
Convenience features	
Rapid PreHeat	•
Operating modes	
Defrost	•
MasterChef automatic programs	•
Auto roast	•
Broiling operating modes	•
Maxi Broil	•
Broil	•
Intensive Bake	•
Surround	•
Bake	•
Convection Roast	•
User convenience	
Networking with Miele@home	•
Control panel	DirectSensor S
SoftOpen	•
SoftClose	•
MultiLingua	•
Time of day display	•
Time synchronization	•
Minute minder	•
Programming start of cooking duration	•
Programming end of cooking duration	•
Programmable cooking time	•
Actual temperature display	•
Audible signal when desired temperature is reached	•
Default temperature	•
Individual settings	•
Cleaning convenience	
Clean Touch Steel surface	•
Self-cleaning	•
Catalyzer	•
CleanGlass door	•
Safety	
Appliance cooling system and cool touch front	•
Safety cut-out	•
System lock	•
Door lock during self cleaning	•
Technical data	
Cavity volume in cu.ft (l)	4.59 (130)
No. of rack levels	6
Number of shelf levels oven compartment 1	6
Number of shelf levels oven compartment 2	6
Labeling of rack levels	•
Oven interior lighting	2 halogen spots

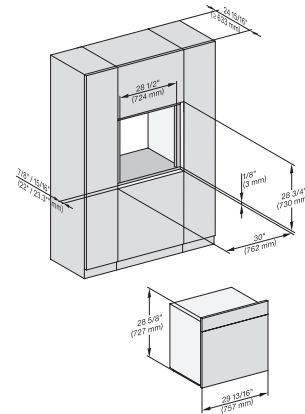
H 7180 BP 30 Inch Convection Oven with clear text display, connectivity, and Self Clean.



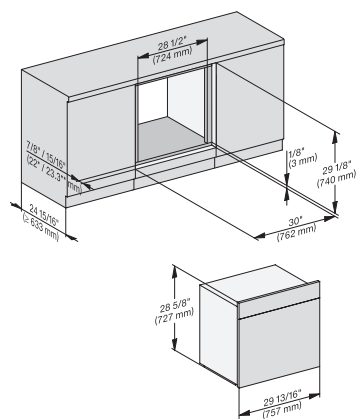
H 6x8x BP, H 6x80-2BP, H 7xxx, H 2x80 side view, installation drawing, Flush inset, NA
7/8" – 22" mm – Glas, 15/16" – 23.3** mm – Edelstahl



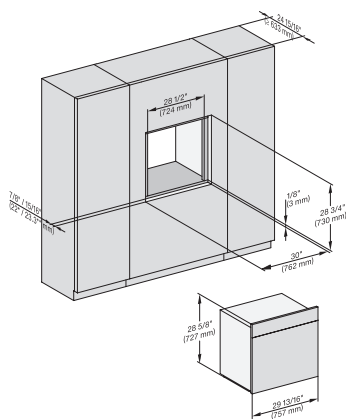
H 6x8x BP, H 6x80-2BP, H 7xxx, H2x80 side view built-under, installation drawing, Flush inset, NA
7/8" – 22" mm – Glas, 15/16" – 23.3** mm – Edelstahl



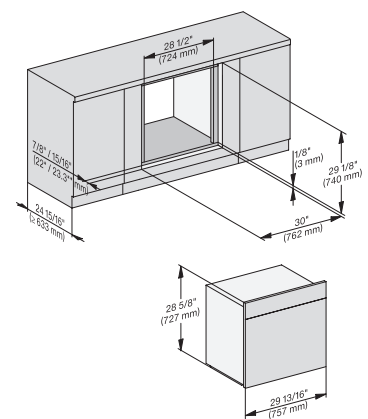
H 6x8x BP, H 6x80-2BP, DGC7xxx, H2xxx, H 7xxx fitting, installation drawing, Flush inset, NA
7/8" – 22" mm – Glas, 15/16" – 23.3** mm – Edelstahl



H 6x8x BP, H 6x80-2BP, H 2xxx, H7xxx fitting built-under, installation drawing, Flush inset, NA
7/8" – 22" mm – Glas, 15/16" – 23.3** mm – Edelstahl

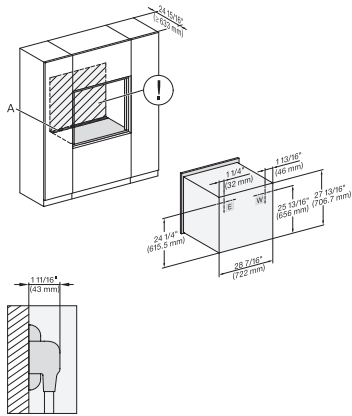


H 6x8x BP, H 6x80-2BP, DGC 7xxx, H 7xxx fitting wide front, installation drawing, Flush inset, NA
7/8" – 22" mm – Glas, 15/16" – 23.3** mm – Edelstahl



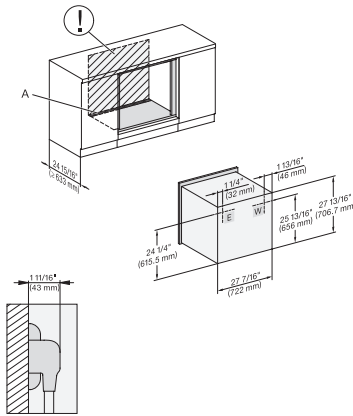
H 6x8x BP, H 6x80-2BP, H7xxx, H 2x80 fitting wide front built-under, installation drawing, Flush inset, NA
7/8" – 22" mm – Glas, 15/16" – 23.3** mm – Edelstahl

H 7180 BP 30 Inch Convection Oven with clear text display, connectivity, and Self Clean.



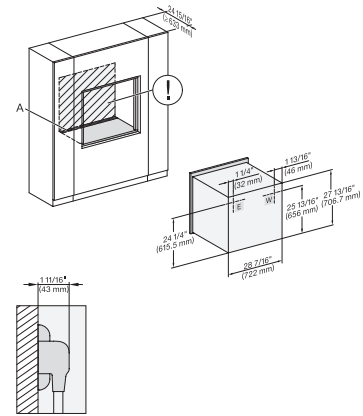
H 6x8x BP, H 6x80-2BP, H7x8BP(X)m installation, installation drawing, Flush inset, NA

A – Cut-out (4" x 28" / 100 mm x 720 mm) in the bottom of the cabinet for power cord and ventilation. – Electrical and water supplies are recommended to be placed in adjacent cabinetry. Additional cabinet depth is required when placing the electrical and water supplies behind the appliance. E = Electric connection, W = Water connection



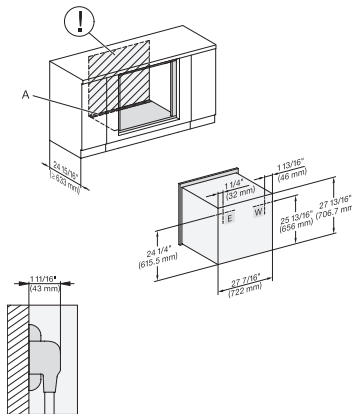
H 6x8x BP, H 6x80-2BP, H7x8xBP(X), installation built-under, installation drawing, Flush inset, NA

A – Cut-out (4" x 28" / 100 mm x 720 mm) in the bottom of the cabinet for power cord and ventilation. – Electrical and water supplies are recommended to be placed in adjacent cabinetry. Additional cabinet depth is required when placing the electrical and water supplies behind the appliance. E = Electric connection, W = Water connection



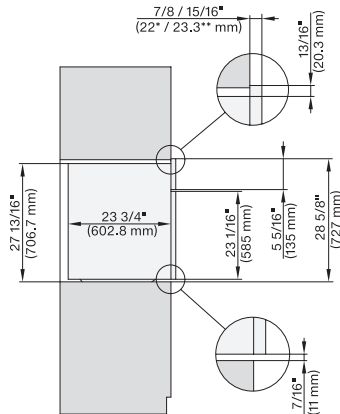
H 6x8x BP, H 6x80-2BP, H7x8xBP(X), wide front installation, installation drawing, Flush inset, NA

A – Cut-out (4" x 28" / 100 mm x 720 mm) in the bottom of the cabinet for power cord and ventilation. – Electrical and water supplies are recommended to be placed in adjacent cabinetry. Additional cabinet depth is required when placing the electrical and water supplies behind the appliance. E = Electric connection, W = Water connection



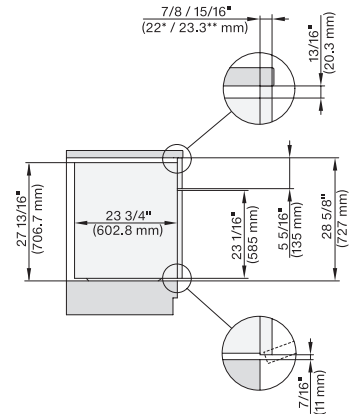
H 6x8x(7x8x BP, H 6x80-2BP, installation of built-under with wide front, installation drawing, Flush inset, NA

A – Cut-out (4" x 28" / 100 mm x 720 mm) in the bottom of the cabinet for power cord and ventilation. – Electrical and water supplies are recommended to be placed in adjacent cabinetry. Additional cabinet depth is required when placing the electrical and water supplies behind the appliance. E = Electric connection, W = Water connection



H 6x8x BP, H 6x80-2BP, H2x80BP, H7x8xBP(X), side view, installation drawing, Proud, NA

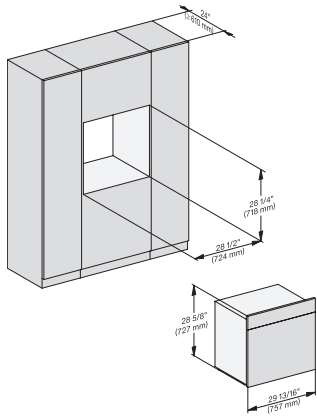
7/8" – 22 mm – Glas, 15/16" – 23.3** mm – Edelstahl



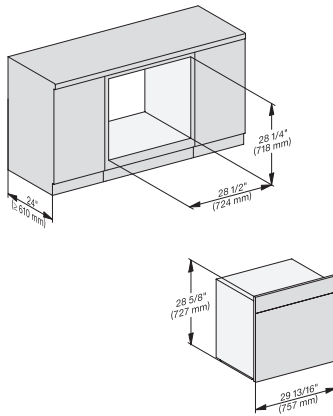
H 6x8x BP, H 6x80-2BP, H2x80BP, H7x8x BP(X), side view built-under, installation drawing, Proud, NA

7/8" – 22 mm – Glas, 15/16" – 23.3** mm – Edelstahl

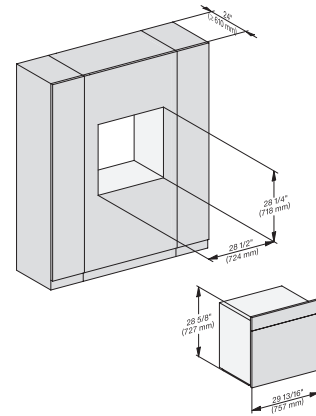
H 7180 BP 30 Inch Convection Oven with clear text display, connectivity, and Self Clean.



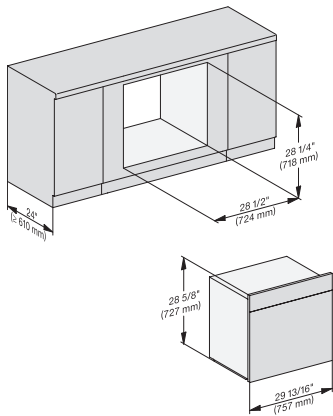
H6x8xBP, H6x80-2BP, H2x80BP, H7x8xBP(X), fitting, installation drawing, Proud, NA
7/8" - 22" mm - Glas, 15/16" - 23.3** mm - Edelstahl



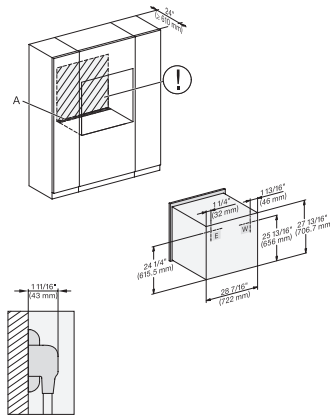
H 6x8x BP, H 6x80-2BP, H2x80BP, H7x8xBP(X), fitting built-under, installation drawing, Proud, NA
7/8" - 22" mm - Glas, 15/16" - 23.3** mm - Edelstahl



H6x8xBP, H6x80-2BP, H2x80BP, H7x8xBP(X), fitting wide front, installation drawing, Proud, NA
7/8" - 22" mm - Glas, 15/16" - 23.3** mm - Edelstahl

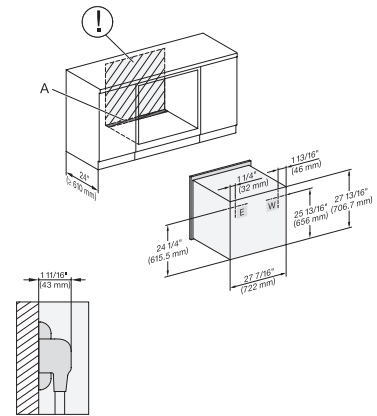


H 6x8x BP, H 6x80-2BP, H2x80BP, H7x8xBP(X), fitting wide front built-under, installation drawing, Proud, NA
7/8" - 22" mm - Glas, 15/16" - 23.3** mm - Edelstahl



H 6x8x BP, H 6x80-2BP, H 7x8xBP(X), installation, installation drawing, Proud, NA

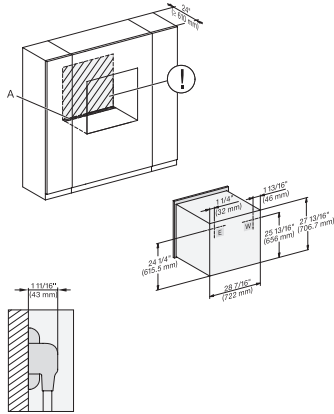
A - Cut-out (4" x 28" / 100 mm x 720 mm) in the bottom of the cabinet for power cord and ventilation, - Electrical and water supplies are recommended to be placed in adjacent cabinetry., Additional cabinet depth is required when placing the electrical and water supplies behind the appliance., E = Electric connection, W = Water connection



H 6x8x BP, H 6x80-2BP, H7x8xBP(X), installation built-under, installation drawing, Proud, NA

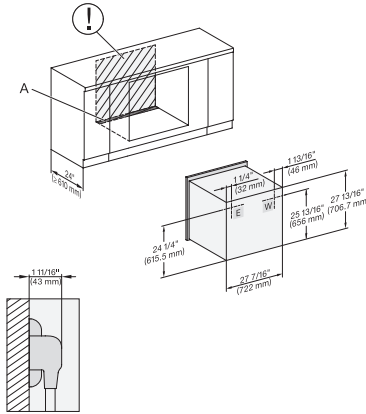
A - Cut-out (4" x 28" / 100 mm x 720 mm) in the bottom of the cabinet for power cord and ventilation, - Electrical and water supplies are recommended to be placed in adjacent cabinetry., Additional cabinet depth is required when placing the electrical and water supplies behind the appliance., E = Electric connection,

H 7180 BP 30 Inch Convection Oven with clear text display, connectivity, and Self Clean.



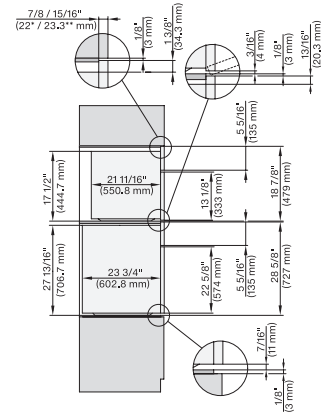
H 6x8x BP, H 6x80-2BP, H7x8xBP(X) wide front installation, installation drawing, Proud, NA

A – Cut-out (4" x 28" / 100 mm x 720 mm) in the bottom of the cabinet for power cord and ventilation. – Electrical and water supplies are recommended to be placed in adjacent cabinetry. Additional cabinet depth is required when placing the electrical and water supplies behind the appliance. E = Electric connection, W = Water connection



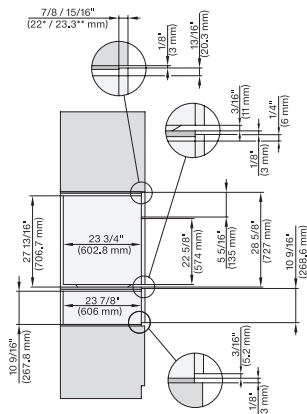
H 6x8x BP, H 6x80-2BP, H 7x8xBP, installation of built-under with wide front, installation drawing, Proud, NA

A – Cut-out (4" x 28" / 100 mm x 720 mm) in the bottom of the cabinet for power cord and ventilation. – Electrical and water supplies are recommended to be placed in adjacent cabinetry. Additional cabinet depth is required when placing the electrical and water supplies behind the appliance. E = Electric connection, W = Water connection



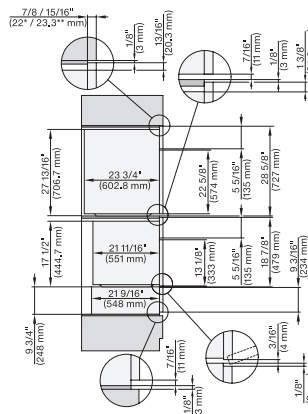
H 6x80 BP, H 6x70 BM, H 6x80-2BP, DGC 7x7x, H 7xxx Combi, Installation drawing, Flush inset, NA

7/8" – 22* mm – Glas, 15/16" – 23.3** mm – Edelstahl



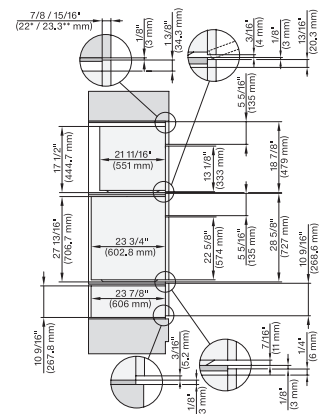
H 6x80 BP, ESW 6x80, H 6x80-2BP, H2x80, H7x80m ESW7x80 Combi, Installation drawing, Flush inset, NA

7/8" – 22* mm – Glas, 15/16" – 23.3** mm – Edelstahl



H 6x80 BP, H 6x70 BM, ESW 6x85, H 6x80-2BP, H7xxx, ESW 7x70, EVS7670 Combi, Installation drawing, Flush inset, NA

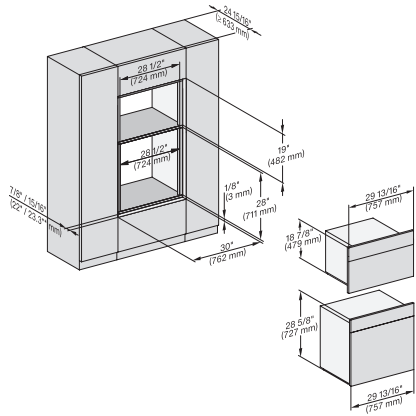
7/8" – 22* mm – Glas, 15/16" – 23.3** mm – Edelstahl



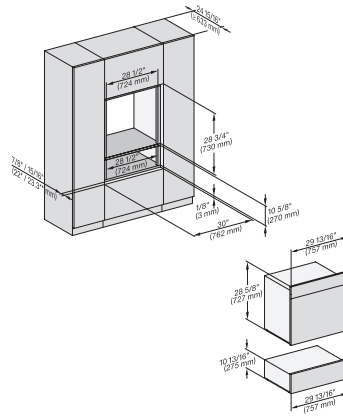
H 6x80 BP, H 6x70 BM, ESW 6x80, H 6x80-2BP, DGC7xxx, H 7xxx, ESW7x80 Combi, Installation drawing, Flush inset, NA

7/8" – 22* mm – Glas, 15/16" – 23.3** mm – Edelstahl

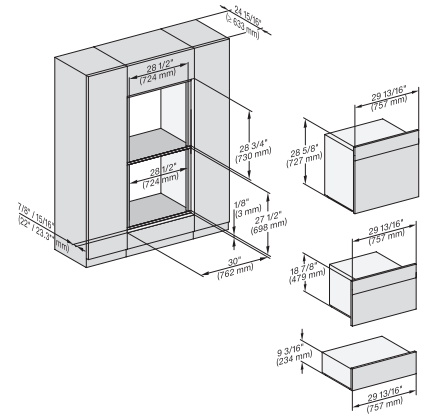
H 7180 BP 30 Inch Convection Oven with clear text display, connectivity, and Self Clean.



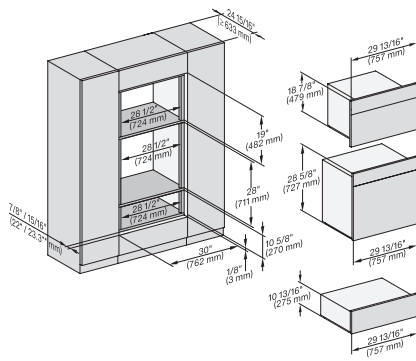
H 6x80 BP, H 6x70 BM, H 6x80-2BP, DGC7x7x, H7xxx Fitting Combi, Installation drawing, Flush inset, NA



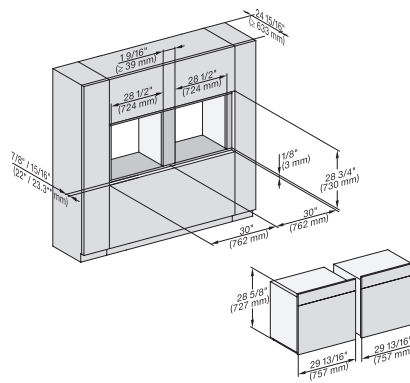
H 6x80 BP, ESW 6x80, H 6x80-2BP, H7x8x, ESW7x80, H 2x8x Fitting Combi, Installation drawing, Flush inset, NA



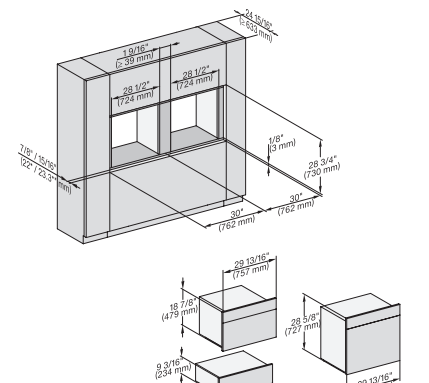
H 6x80 BP, H 6x70 BM, ESW 6x85, H 6x80-2BP, H7xxx BM/BX, H2x80BP, ESW7x70, EVS7670 Installation drawing, Flush inset, NA



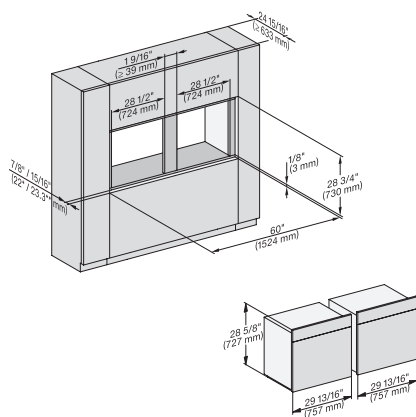
H 6x80 BP, H 6x70 BM, ESW 6x80, H 6x80-2BP, DGC7xxx, H7xxxBM/BMX/BP/BPX, H2x80BP, ESW7x80, Installation drawing, NA



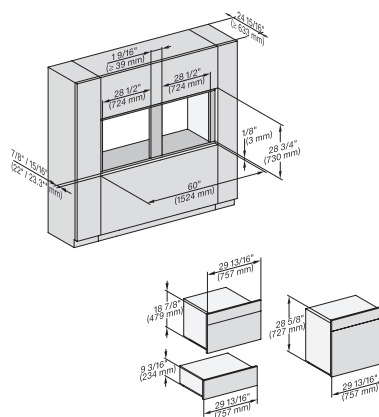
H 6x80 BP, H 6x80-2BP, H 2x80BP, H 7x80BP/PBX Fitting Combi side by side, Installation drawing, Flush inset, NA



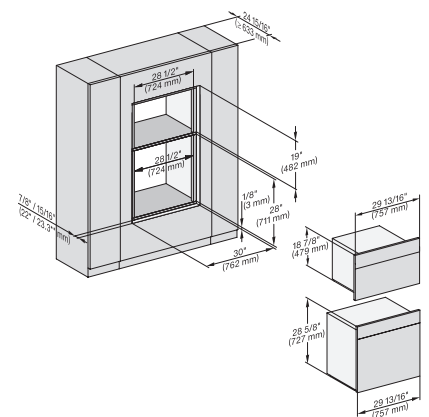
H 6x80BP, H 6x70 BM, ESW 6x85, H 6x80-2BP, H7xxx BM/BP/BPX, ESW7x70, EVS7670, Installation drawing, Flush inset, NA



H 6x80 BP, H 6x80-2BP, H 2x80BP, H7x80BP/BPX, Installation drawing, Flush inset, NA

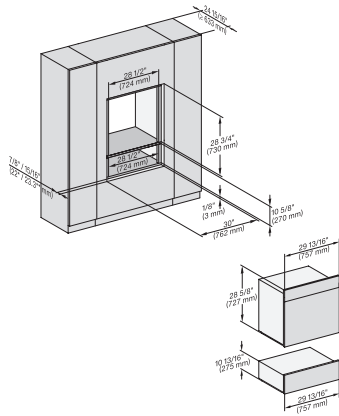


H 6x80 BP, H 6x70 BM, ESW 6x85, H 6x80-2BP, H 7xxx BP/BM/BPX/BMX, EXX 7x70 Fitting Combi side by side without wall, NA

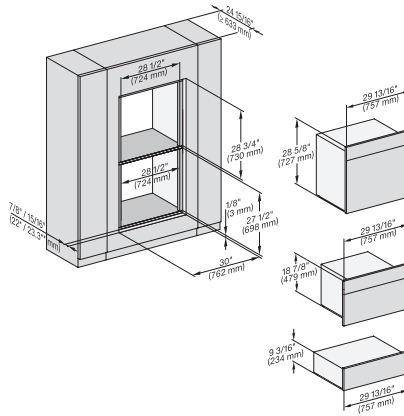


H 6x80 BP, H 6x70 BM, H 6x80-2BP, DGC 7x7x, H7xxx x BM/BP/BPX, H 2880 PB, Installation drawing, Flush inset, NA

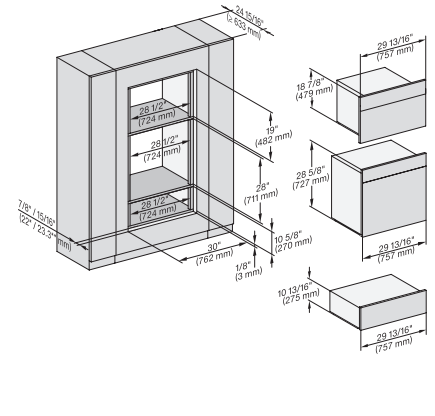
H 7180 BP 30 Inch Convection Oven with clear text display, connectivity, and Self Clean.



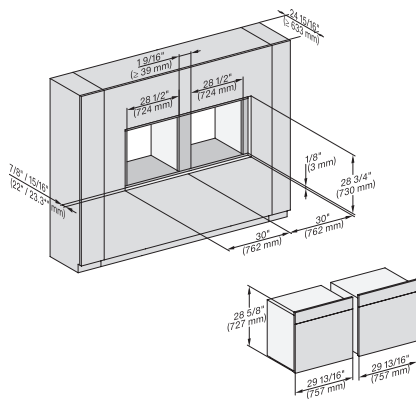
H 6x80 BP, ESW 6x80, H 6x80-2BP, H 2x80BP, H 7x80 BP/BPX, ESW 7x80 Installation drawing, Flush inset, NA



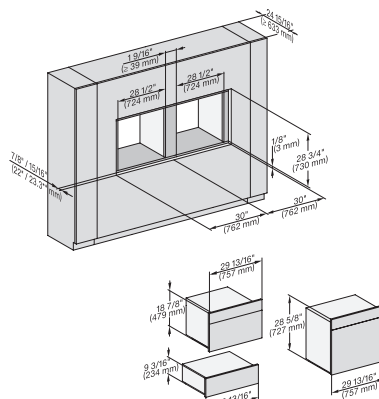
H 6x80 BP, H 6x70 BM, ESW 6x85, H 6x80-2BP, H2x80BP, H7xx0BP/BM/BPX, ESW7x70, EVS7670 Flush inset, NA



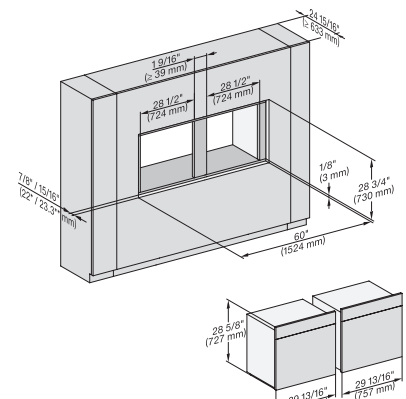
H 6x80 BP, H 6x70 BM, ESW 6x80, H 6x80-2BP, DGC7x7x, H7xxxBM/BM/BP, H2xxxBP, ESW7xxx, NA



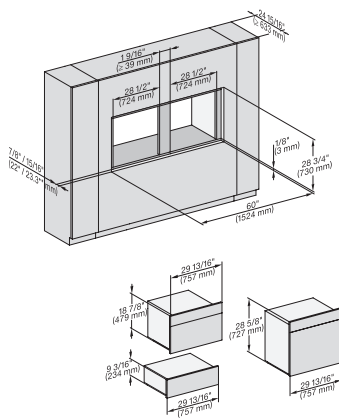
H 6x80 BP, H 6x80-2BP, H 2x80BP, H 7x80 BP/BPX Fitting Combi wide front side by side, Install. drawing, Flush inset, NA



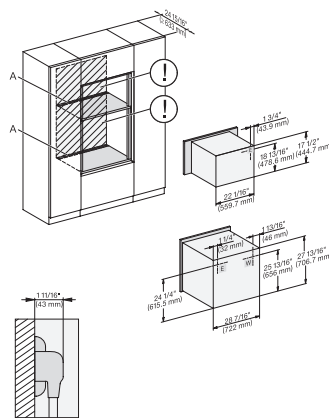
H 6x80 BP, H 6x70 BM, ESW 6x85, H 6x80-2BP, H7x70BM/BMX, ESW 7x70, EVS 7670, Installation drawing, Flush inset, NA



H 6x80 BP, H 6x80-2BP, H 2x80BP, G 7x80 BP/BBX, Installation drawing, Flush inset, NA

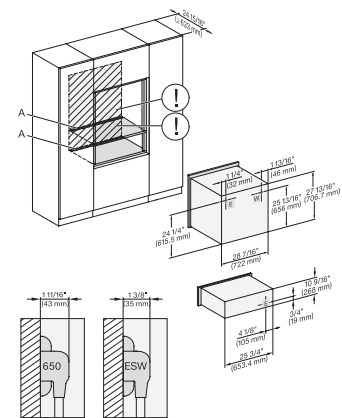


H 6x80 BP, H 6x70 BM, ESW 6x85, H 6x80-2BP, H7x80 BP/BPX/BM/BMX, EWS 7x70, EVS 7670 drawing, Flush inset, NA



H 6x80 BP, H 6x70 BM, H 6x80-2BP, H 7xxx BM/BMX/BP/BPX, H 2x90BP Installation drawing, Flush inset, NA

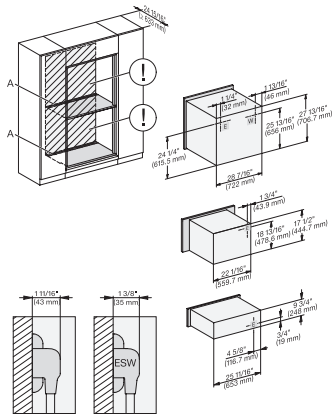
A – Cut-out (4" x 28" / 100 mm x 720 mm) in the bottom of the cabinet for power cord and ventilation, – Electrical and water supplies are recommended to be placed in adjacent cabinetry., Additional cabinet depth is required when placing the electrical and water supplies behind the appliance., E = Electric connection



H 6x80 BP, ESW 6x80, H 6x80-2BP, H 2x80BP, H 7xxx BP/BPX, ESW 7x80 Installation drawing, Flush inset, NA

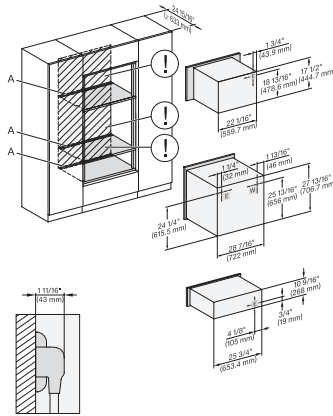
A – Cut-out (4" x 28" / 100 mm x 720 mm) in the bottom of the cabinet for power cord and ventilation, – Electrical and water supplies are recommended to be placed in adjacent cabinetry., Additional cabinet depth is required when placing the electrical and water supplies behind the appliance., E = Electric connection

H 7180 BP 30 Inch Convection Oven with clear text display, connectivity, and Self Clean.



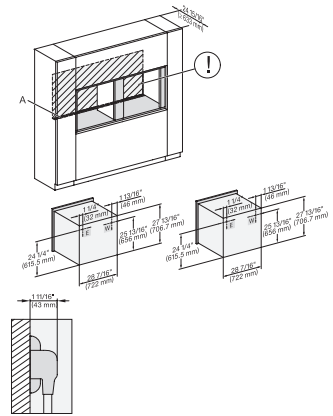
H 6x80 BP, H 6x70 BM, ESW 6x85, H 6x80-2BP, H2880BP, H7xxxBP/BPX/BM/BMX, Exx7670, Installation drawing, Flush inset, NA

A – Cut-out (4" x 28" / 100 mm x 720 mm) in the bottom of the cabinet for power cord and ventilation. – Electrical and water supplies are recommended to be placed in adjacent cabinetry. Additional cabinet depth is required when placing the electrical and water supplies behind the appliance. E = Electric connection



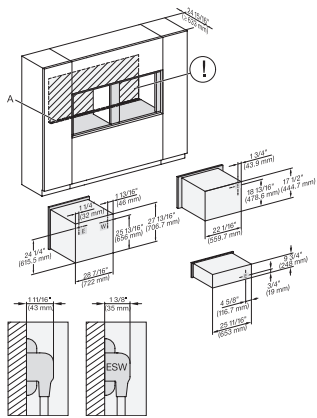
H 6x80BP, H 6x70 BM, ESW 6x80, H 6x80-2BP, H 2880BP, H 7xxxBP/BPX/BM/BMX, ESW 7x80 Installation drawing, Flush inset, NA

A – Cut-out (4" x 28" / 100 mm x 720 mm) in the bottom of the cabinet for power cord and ventilation. – Electrical and water supplies are recommended to be placed in adjacent cabinetry. Additional cabinet depth is required when placing the electrical and water supplies behind the appliance. E = Electric connection



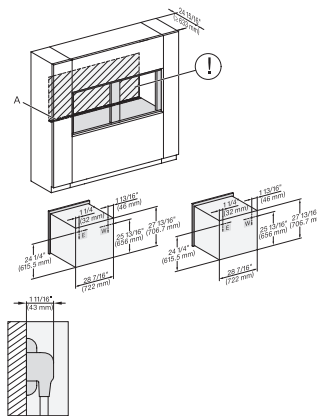
H 6x80 BP, H 6x80-2BP, H2x80BP, H7x80BP/BPX Combi, side by side, Installation drawing, Flush inset, NA

A – Cut-out (4" x 28" / 100 mm x 720 mm) in the bottom of the cabinet for power cord and ventilation. – Electrical and water supplies are recommended to be placed in adjacent cabinetry. Additional cabinet depth is required when placing the electrical and water supplies behind the appliance. E = Electric connection



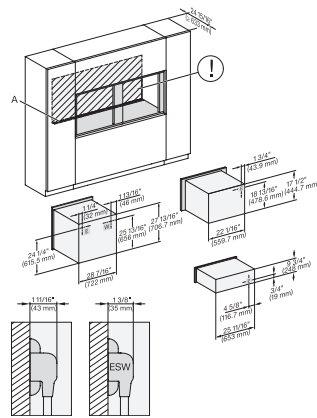
H 6x80BP, H 6x70BM, ESW 6x85, H 6x80-2BP, H2x80BP, H 7x80BP/BPX, ESW 7x70, EVS7670, Install. drawing, Flush inset, NA

A – Cut-out (4" x 28" / 100 mm x 720 mm) in the bottom of the cabinet for power cord and ventilation. – Electrical and water supplies are recommended to be placed in adjacent cabinetry. Additional cabinet depth is required when placing the electrical and water supplies behind the appliance. E = Electric connection



H 6x80 BP, H 6x80-2BP, H2x80BP/BP, H 7x80BP/BPX, Installation drawing, Flush inset, NA

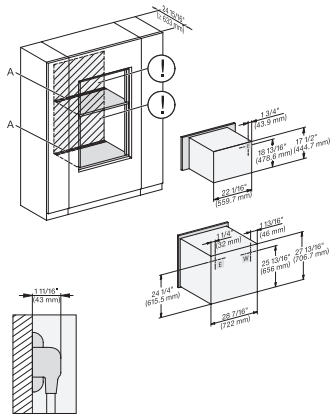
A – Cut-out (4" x 28" / 100 mm x 720 mm) in the bottom of the cabinet for power cord and ventilation. – Electrical and water supplies are recommended to be placed in adjacent cabinetry. Additional cabinet depth is required when placing the electrical and water supplies behind the appliance. E = Electric connection



H 6x80 BP, H 6x70 BM, ESW 6x85, H 6x80-2BP, H 2x80BP, H 7x80BP/BPX, ESW 7x70, EVS 7670, drawing, Flush inset, NA

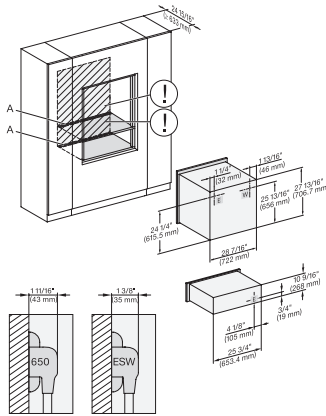
A – Cut-out (4" x 28" / 100 mm x 720 mm) in the bottom of the cabinet for power cord and ventilation. – Electrical and water supplies are recommended to be placed in adjacent cabinetry. Additional cabinet depth is required when placing the electrical and water supplies behind the appliance. E = Electric connection

H 7180 BP 30 Inch Convection Oven with clear text display, connectivity, and Self Clean.



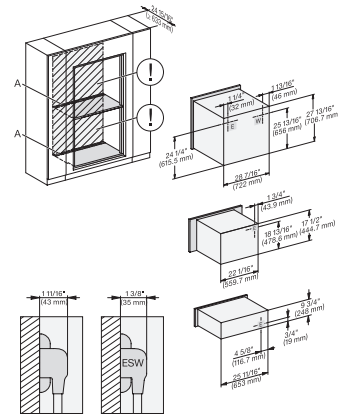
H 6x80 BP, H 6x70 BM, H 6x80-2BP, H 2x80BP, H 7x8xBP/BPX Installation drawing, Flush inset, NA

A – Cut-out (4" x 28" / 100 mm x 720 mm) in the bottom of the cabinet for power cord and ventilation. – Electrical and water supplies are recommended to be placed in adjacent cabinetry. Additional cabinet depth is required when placing the electrical and water supplies behind the appliance. E = Electric connection



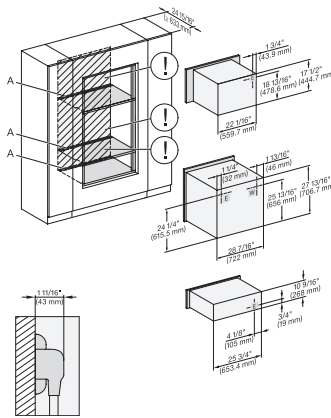
H 6x80 BP, ESW 6x80, H 6x80-2BP, H 2x80BP, H 7x8xBP/BPX, ESW 7x80, Installation drawing, Flush inset, NA

A – Cut-out (4" x 28" / 100 mm x 720 mm) in the bottom of the cabinet for power cord and ventilation. – Electrical and water supplies are recommended to be placed in adjacent cabinetry. Additional cabinet depth is required when placing the electrical and water supplies behind the appliance. E = Electric connection



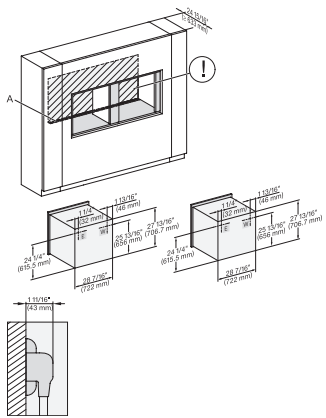
H 6x80 BP, H 6x70 BM, ESW 6x85, H 6x80-2BP, H 2880BP, H 7xxx BP/BPX/BM/BMX, Exx 7x70, Flush inset, NA

A – Cut-out (4" x 28" / 100 mm x 720 mm) in the bottom of the cabinet for power cord and ventilation. – Electrical and water supplies are recommended to be placed in adjacent cabinetry. Additional cabinet depth is required when placing the electrical and water supplies behind the appliance. E = Electric connection



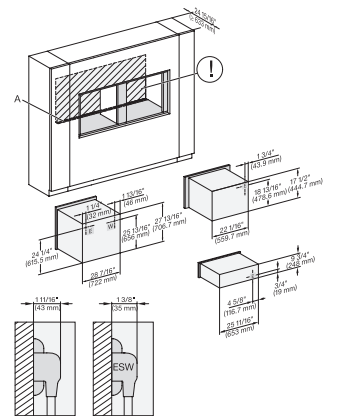
H 6x80 BP, H 6x70 BM, ESW 6x80, H 6x80-2BP, H 2x80BP, H 7xxx BP/BPX/BM/BMX, ESW 7x80, Flush inset, NA

A – Cut-out (4" x 28" / 100 mm x 720 mm) in the bottom of the cabinet for power cord and ventilation. – Electrical and water supplies are recommended to be placed in adjacent cabinetry. Additional cabinet depth is required when placing the electrical and water supplies behind the appliance. E = Electric connection



H 6x80 BP, H 6x80-2BP, H 2x80BP, H 7x80 BP/BPX, Installation drawing, Flush inset, NA

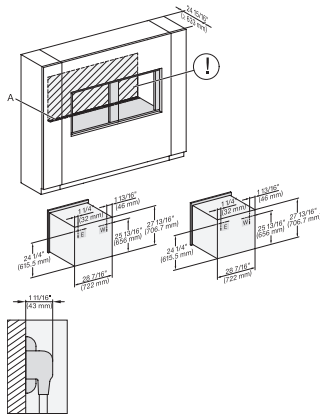
A – Cut-out (4" x 28" / 100 mm x 720 mm) in the bottom of the cabinet for power cord and ventilation. – Electrical and water supplies are recommended to be placed in adjacent cabinetry. Additional cabinet depth is required when placing the electrical and water supplies behind the appliance. E = Electric connection



H 6x80BP, H 6x70 BM, ESW 6x85, H 6x80-2BP, H 2x80BP, H 7x80BP/BPX, ESW 7x70, EVS 7670, Install. drawing, Flush inset, NA

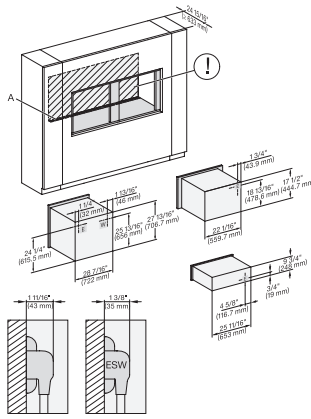
A – Cut-out (4" x 28" / 100 mm x 720 mm) in the bottom of the cabinet for power cord and ventilation. – Electrical and water supplies are recommended to be placed in adjacent cabinetry. Additional cabinet depth is required when placing the electrical and water supplies behind the appliance. E = Electric connection

H 7180 BP 30 Inch Convection Oven with clear text display, connectivity, and Self Clean.



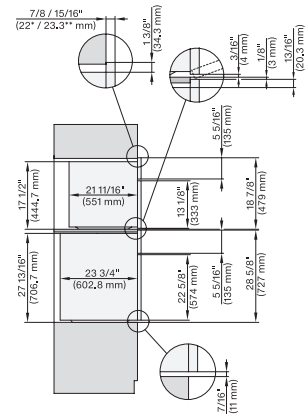
H 6x80 BP, H 6x80-2BP, H 2x80 BP, H 7x80 BP/BPX, Installation drawing, Flush inset, NA

A – Cut-out (4" x 28" / 100 mm x 720 mm) in the bottom of the cabinet for power cord and ventilation. – Electrical and water supplies are recommended to be placed in adjacent cabinetry. Additional cabinet depth is required when placing the electrical and water supplies behind the appliance., E = Electric connection



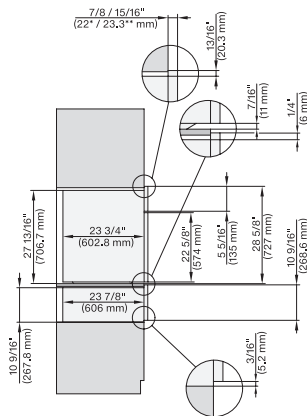
H6x80 BP, H6x70 BM, ESW6x85, H6x80-2BP, H2x80BP, H 7x80 BP/BPX, ESW 7x70, EVS 7670 , Flush inset, NA

A – Cut-out (4" x 28" / 100 mm x 720 mm) in the bottom of the cabinet for power cord and ventilation. – Electrical and water supplies are recommended to be placed in adjacent cabinetry. Additional cabinet depth is required when placing the electrical and water supplies behind the appliance., E = Electric connection



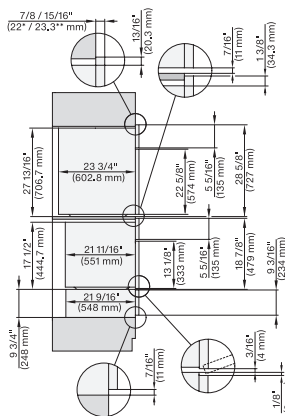
H 6x80 BP, H 6x70 BM, H 6x80-2BP, DGC7x7x, H7x70BM, H7x80BPX, Combi, Installation drawing, Proud, NA

7/8" – 22* mm – Glas, 15/16" – 23.3** mm – Edelstahl



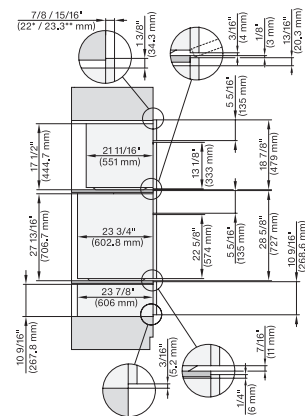
H 6x80 BP, ESW 6x80, H 6x80-2BP, H2x80BP, H7x80BP(X), ESW7x80, Combi, Installation drawing, Proud, NA

7/8" – 22* mm – Glas, 15/16" – 23.3** mm – Edelstahl



H6x80BP, H6x70BM, ESW6x85, H6x80-2BP, H7x80BP(X), H7x70BM(X), ESW7x70, EVS7670, Combi, Proud, Flush inset, NA

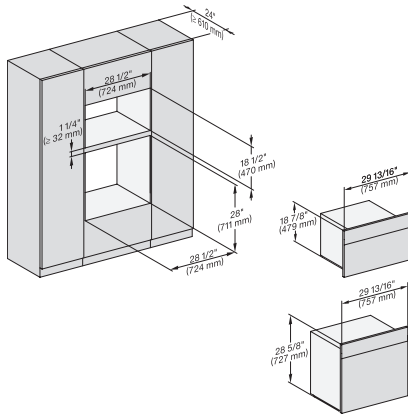
7/8" – 22* mm – Glas, 15/16" – 23.3** mm – Edelstahl



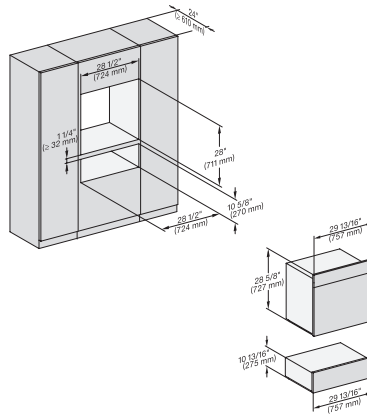
H6x80(2)BP, H6x70BM, ESW6x80, DGC7x7x(X), H7x70BM(X), H7x80BP, ESW7x80, Combi, Installation drawing, Proud, Flush inset,

7/8" – 22* mm – Glas, 15/16" – 23.3** mm – Edelstahl

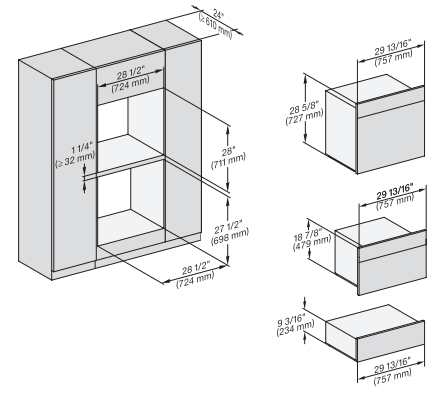
H 7180 BP 30 Inch Convection Oven with clear text display, connectivity, and Self Clean.



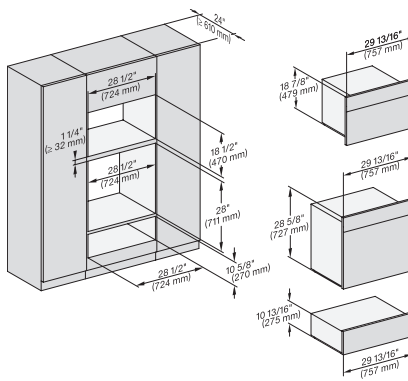
H6x80BP, H6x70BM, H6x80-2BP, DGC7x7x, H7x70BM, H2x80BP, H7x80BP(X), Fitting Combi, Installation drawing, Proud, NA



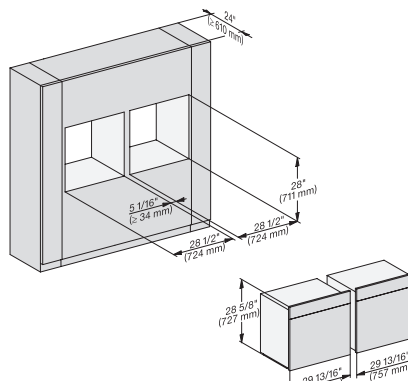
H6x80BP, ESW6x80, H6x80-2BP, H2x80BP, H7x80BPX, ESW7x80, Fitting Combi, Installation drawing, Proud, NA



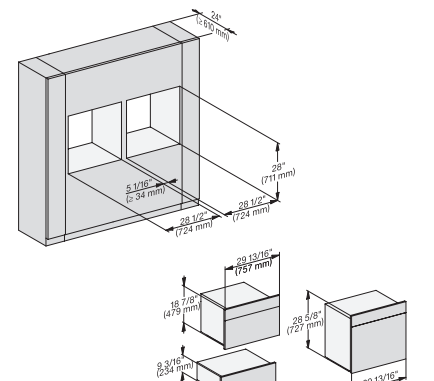
H6x80BP, H6x70BM, ESW 6x85, H 6x80-2BP, NA7000, Fitting Combi, Installation drawing, Proud, NA



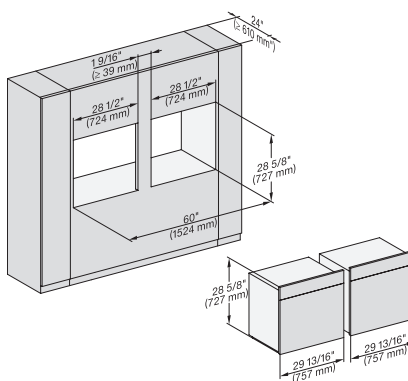
H 6x80 BP, H 6x70 BM, ESW 6x80, H 6x80-2BP, NA7000 Fitting Combi, Installation drawing, Proud, NA
<https://miele-mms.de.miele.net/mms/admin/forward.php#>



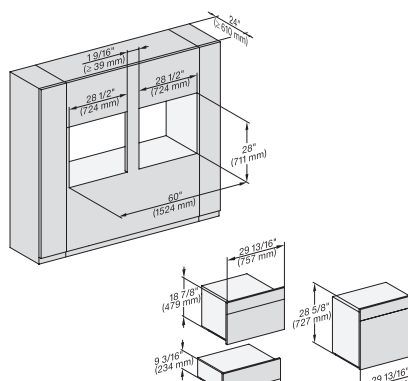
H 6x80 BP, H 6x80-2BP, NA7000, Fitting Combi side by side, Installation drawing, Proud, NA



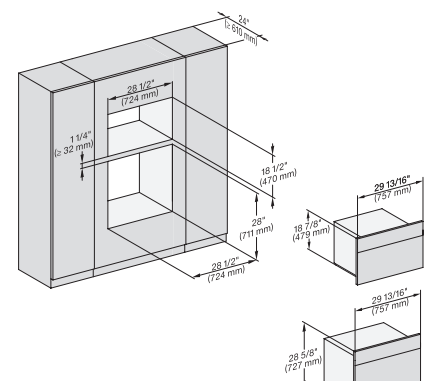
H 6x80 BP, H 6x70 BM, ESW 6x85, H 6x80-2BP, NA7000, Fitting Combi side by side, Installation drawing, Proud, NA



H 6x80 BP, H 6x80-2BP, NA7000 Fitting Combi side by side without wall, Installation drawing, Proud, NA

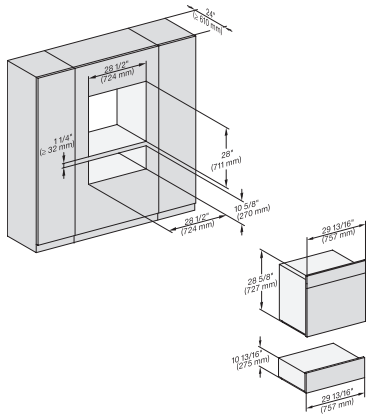


H6x80BP, H6x70BM, ESW6x85, H6x80-2BP, NA7000, Fitting Combi side by side without wall, Installation drawing, Proud, NA

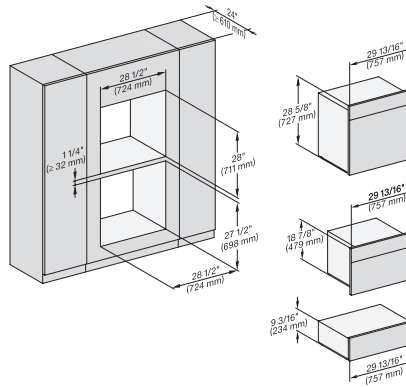


H6x80BP, H 6x70 BM, H 6x80-2BP, NA7000 Fitting Combi wide front, Installation drawing, Proud, NA

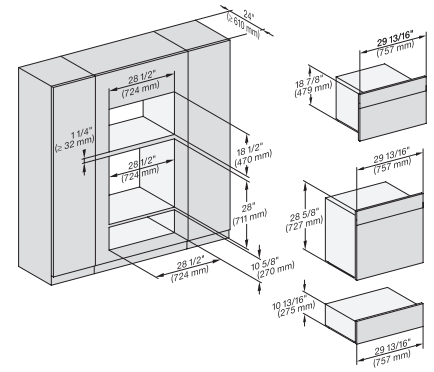
H 7180 BP
30 Inch Convection Oven
with clear text display, connectivity, and Self Clean.



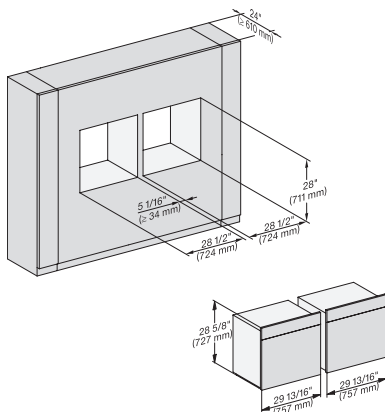
H 6x80 BP, ESW 6x80, H 6x80-2BP, NA7000 Fitting Combi wide front, Installation drawing, Proud, NA



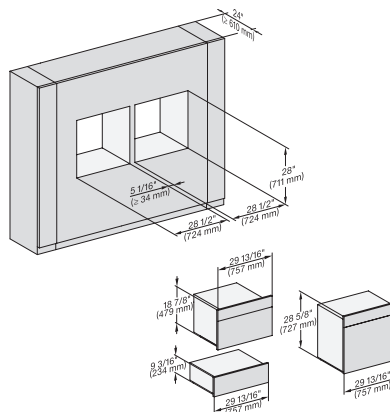
H 6x80 BP, H 6x70 BM, ESW 6x85, H 6x80-2BP, NA7000 Fitting Combi wide front, Installation drawing, Proud, NA



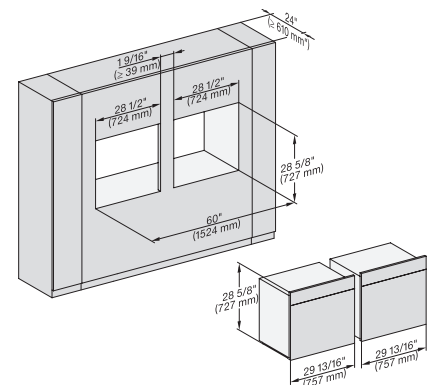
H 6x80 BP, H 6x70 BM, ESW 6x80, H 6x80-2BP, NA7000, Fitting Combi wide front, Installation drawing, Proud, NA



H 6x80 BP, H 6x80-2BP, H2x80BP, H7x80BP(X), Fitting Combi wide front side by side, Installation drawing, Proud, NA

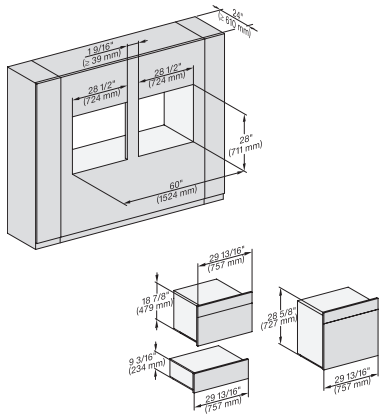


H 6x80 BP, H 6x70 BM, ESW 6x85, H 6x80-2BP, NA7000 Fitting Combi wide front side by side, Installation drawing, Proud

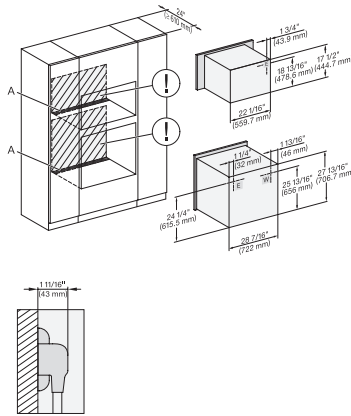


H 6x80 BP, H 6x80-2BP, NA7000 Fitting Combi wide front side by side without wall, Installation drawing, Proud, NA

H 7180 BP 30 Inch Convection Oven with clear text display, connectivity, and Self Clean.

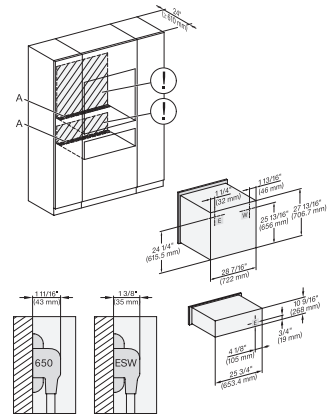


H 6x80 BP, H 6x70 BM, ESW 6x85, H 6x80-2BP, NA7000 Fitting Combi w. front side by side without wall, drawing, Proud, NA



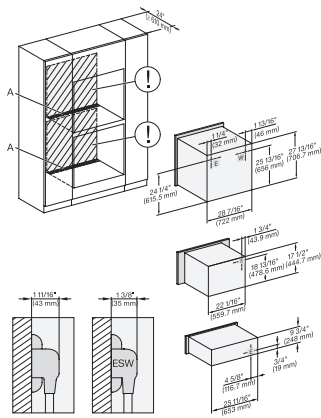
H 6x80 BP, H 6x70 BM, H 6x80-2BP, Hx70BM, H2x80BP(X), H7x80BP(X), Installation Combi, Installation drawing, Proud, NA

A – Cut-out (4" x 28" / 100 mm x 720 mm) in the bottom of the cabinet for power cord and ventilation, – Electrical and water supplies are recommended to be placed in adjacent cabinetry., Additional cabinet depth is required when placing the electrical and water supplies behind the appliance., E = Electric connection



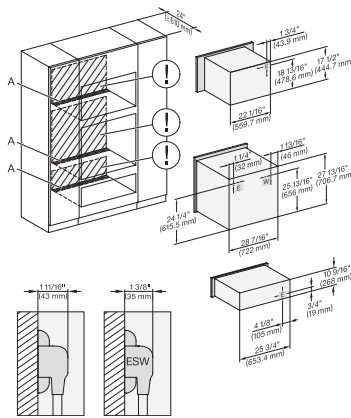
H 6x80 BP, ESW 6x80, H 6x80-2BP, H2x80BP, H7x80BP, ESW7x80, Installation Combi, Installation drawing, Proud, NA

A – Cut-out (4" x 28" / 100 mm x 720 mm) in the bottom of the cabinet for power cord and ventilation, – Electrical and water supplies are recommended to be placed in adjacent cabinetry., Additional cabinet depth is required when placing the electrical and water supplies behind the appliance., E = Electric connection



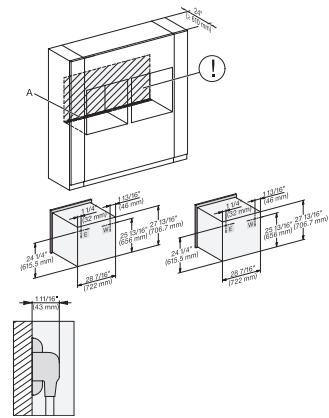
H 6x80 BP, H 6x70 BM, ESW 6x85, H 6x80-2BP, NA7000 Installation Combi, Installation drawing, Proud, NA

A – Cut-out (4" x 28" / 100 mm x 720 mm) in the bottom of the cabinet for power cord and ventilation, – Electrical and water supplies are recommended to be placed in adjacent cabinetry., Additional cabinet depth is required when placing the electrical and water supplies behind the appliance., E = Electric connection



H 6x80 BP, H 6x70 BM, ESW 6x80, H 6x80-2BP, NA7000, Installation Combi, Installation drawing, Proud, NA

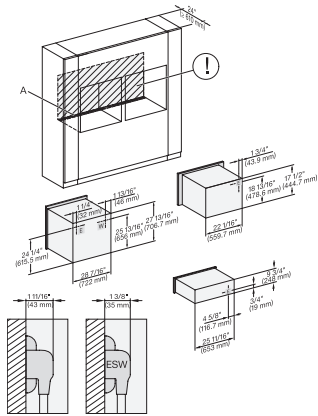
A – Cut-out (4" x 28" / 100 mm x 720 mm) in the bottom of the cabinet for power cord and ventilation, – Electrical and water supplies are recommended to be placed in adjacent cabinetry., Additional cabinet depth is required when placing the electrical and water supplies behind the appliance., E = Electric connection



H 6x80 BP, H 6x80-2BP, H2x80BP, H7x80BP, Installation Combi, side by side, Installation drawing, Proud, NA

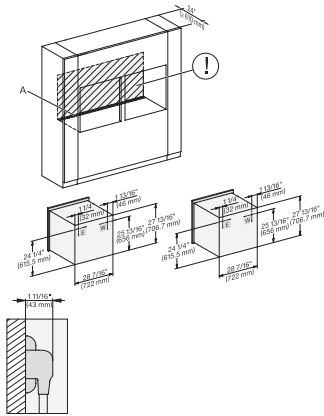
A – Cut-out (4" x 28" / 100 mm x 720 mm) in the bottom of the cabinet for power cord and ventilation, – Electrical and water supplies are recommended to be placed in adjacent cabinetry., Additional cabinet depth is required when placing the electrical and water supplies behind the appliance., E = Electric connection

H 7180 BP 30 Inch Convection Oven with clear text display, connectivity, and Self Clean.



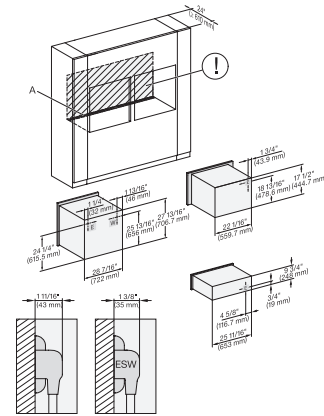
H6x80(-2)BP, H6x70BM, ESW6x85, H2x80BP, H7x80BP, ESW7x70, EVS7670, Installation Combi side by side, Installation drawing

A – Cut-out (4" x 28" / 100 mm x 720 mm) in the bottom of the cabinet for power cord and ventilation. – Electrical and water supplies are recommended to be placed in adjacent cabinetry., Additional cabinet depth is required when placing the electrical and water supplies behind the appliance., E = Electric connection



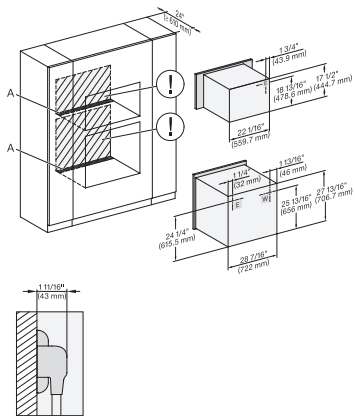
H 6x80 BP, H 6x80-2BP, H2x80BP, H7x80BP(X), Installation Combi side by side without wall, Installation drawing, Proud, NA

A – Cut-out (4" x 28" / 100 mm x 720 mm) in the bottom of the cabinet for power cord and ventilation. – Electrical and water supplies are recommended to be placed in adjacent cabinetry., Additional cabinet depth is required when placing the electrical and water supplies behind the appliance., E = Electric connection



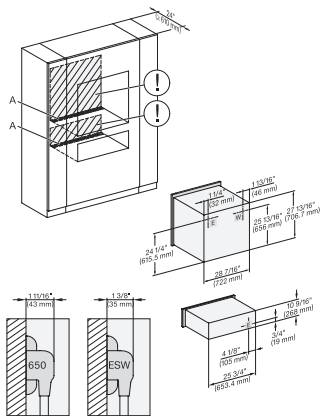
H 6x80 BP, H 6x70 BM, ESW 6x85, H 6x80-2BP, NA7000, Installation Combi side by side without wall, drawing, Proud, NA

A – Cut-out (4" x 28" / 100 mm x 720 mm) in the bottom of the cabinet for power cord and ventilation. – Electrical and water supplies are recommended to be placed in adjacent cabinetry., Additional cabinet depth is required when placing the electrical and water supplies behind the appliance., E = Electric connection



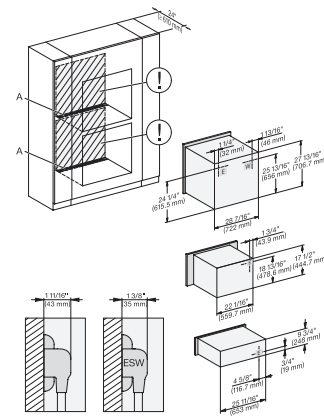
H 6x80 BP, H 6x70 BM, H 6x80-2BP, NA7000, Installation Combi wide front, Installation drawing, Proud, NA

A – Cut-out (4" x 28" / 100 mm x 720 mm) in the bottom of the cabinet for power cord and ventilation. – Electrical and water supplies are recommended to be placed in adjacent cabinetry., Additional cabinet depth is required when placing the electrical and water supplies behind the appliance., E = Electric connection



H 6x80 BP, ESW 6x80, H 6x80-2BP, NA7000, Installation Combi wide front, Installation drawing, Proud, NA

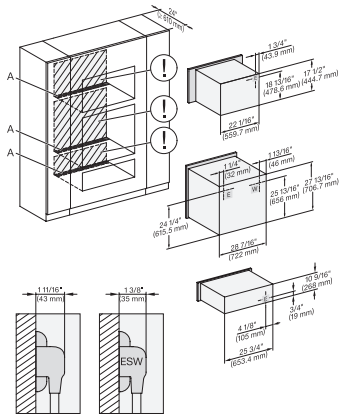
A – Cut-out (4" x 28" / 100 mm x 720 mm) in the bottom of the cabinet for power cord and ventilation. – Electrical and water supplies are recommended to be placed in adjacent cabinetry., Additional cabinet depth is required when placing the electrical and water supplies behind the appliance., E = Electric connection



H 6x80 BP, H 6x70 BM, ESW 6x85, H 6x80-2BP, NA7000, Installation Combi wide front, Installation drawing, Proud, NA

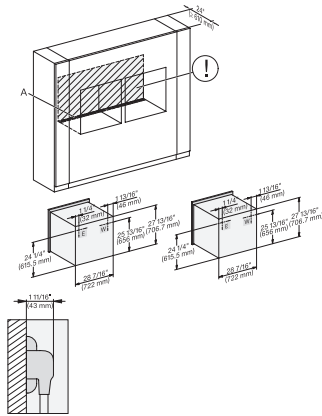
A – Cut-out (4" x 28" / 100 mm x 720 mm) in the bottom of the cabinet for power cord and ventilation. – Electrical and water supplies are recommended to be placed in adjacent cabinetry., Additional cabinet depth is required when placing the electrical and water supplies behind the appliance., E = Electric connection

H 7180 BP 30 Inch Convection Oven with clear text display, connectivity, and Self Clean.



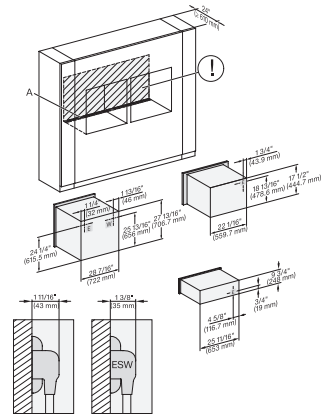
H 6x80 BP, H 6x70 BM, ESW 6x80, H 6x80-2BP, NA7000, Installation Combi wide front, Installation drawing, Proud, NA

A – Cut-out (4" x 28" / 100 mm x 720 mm) in the bottom of the cabinet for power cord and ventilation. – Electrical and water supplies are recommended to be placed in adjacent cabinetry. Additional cabinet depth is required when placing the electrical and water supplies behind the appliance. E = Electric connection



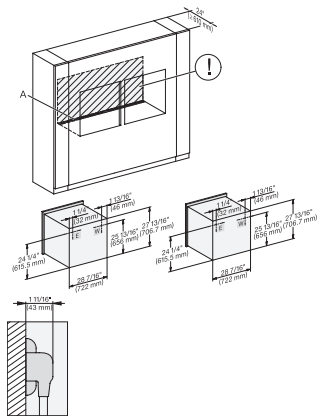
H 6x80 BP, H 6x80-2BP, H2x80BP, H7x80BP, Installation Combi wide front side by side, Installation drawing, Proud, NA

A – Cut-out (4" x 28" / 100 mm x 720 mm) in the bottom of the cabinet for power cord and ventilation. – Electrical and water supplies are recommended to be placed in adjacent cabinetry. Additional cabinet depth is required when placing the electrical and water supplies behind the appliance. E = Electric connection



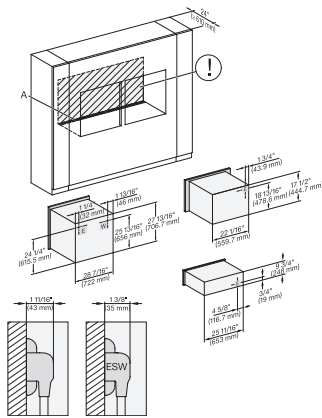
H6x80(2)BP, H6x70BM, ESW6x85, H2x80BP, H7x80BP, Installation Combi wide front side by side, Installation drawing, Proud

A – Cut-out (4" x 28" / 100 mm x 720 mm) in the bottom of the cabinet for power cord and ventilation. – Electrical and water supplies are recommended to be placed in adjacent cabinetry. Additional cabinet depth is required when placing the electrical and water supplies behind the appliance. E = Electric connection



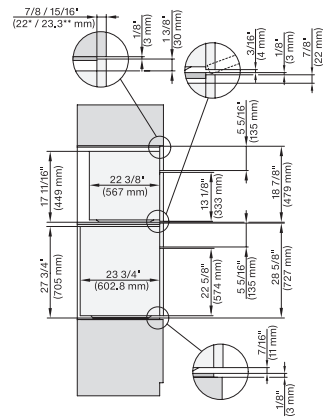
H6x80BP, H6x80-2BP, H2x80BP, H7x80BP, Installation Combi wide front side by side without wall, Installation drawing

A – Cut-out (4" x 28" / 100 mm x 720 mm) in the bottom of the cabinet for power cord and ventilation. – Electrical and water supplies are recommended to be placed in adjacent cabinetry. Additional cabinet depth is required when placing the electrical and water supplies behind the appliance. E = Electric connection



H6x80 BP, H6x70BM, ESW6x85, H6x80-2BP, NA7000, Installation Combi w. front side by side without wall, drawing, Proud, NA

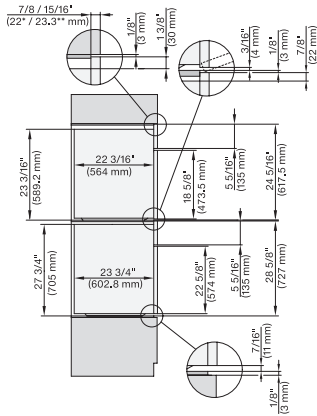
A – Cut-out (4" x 28" / 100 mm x 720 mm) in the bottom of the cabinet for power cord and ventilation. – Electrical and water supplies are recommended to be placed in adjacent cabinetry. Additional cabinet depth is required when placing the electrical and water supplies behind the appliance. E = Electric connection



DGC7x7x(X), H7x8x(X)BP, side view, 30 Zoll, Flush inset, combi, XL, 650

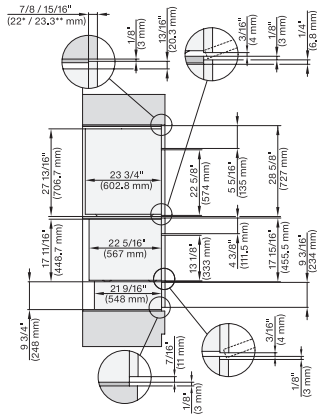
7/8" – 22* mm – Glass, 15/16" – 23.3* mm – Stainless steel

H 7180 BP 30 Inch Convection Oven with clear text display, connectivity, and Self Clean.



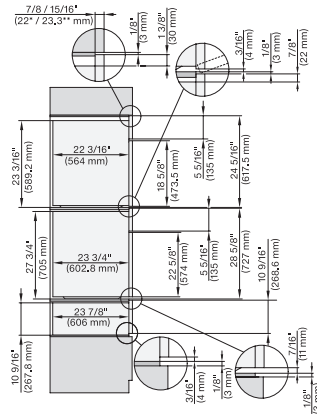
DGC7x8x, H2x80BP, H7x8xBP(X), side view, 30 Zoll, Flush inset, combi, XXL 650

7/8" – 22" mm – Glass, 15/16" – 23.3" mm – Stainless steel



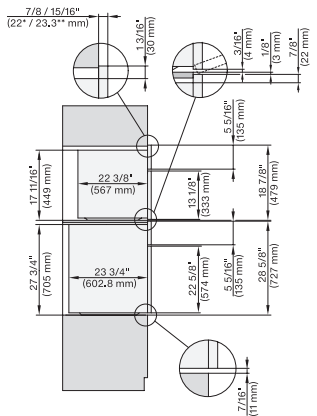
DGC7x4x+EBA7848, H2x80BP, H7x8xBP(X), ESW7x70, EVS7670, side view, 30 Zoll, Flush inset, combi, XL, 650

7/8" – 22" mm – Glass, 15/16" – 23.3" mm – Stainless steel



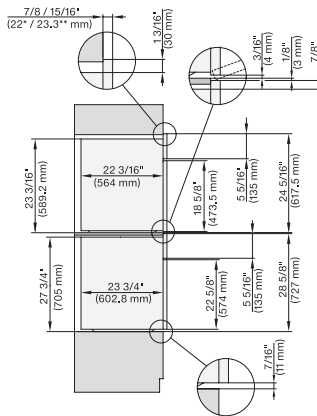
DGC7x8x(X), H2x80BP, H7x8xBP, ESW7x80, side view, 30 Zoll, Flush inset, combi, XXL, 650, ESW30

7/8" – 22" mm – Glass, 15/16" – 23.3" mm – Stainless steel



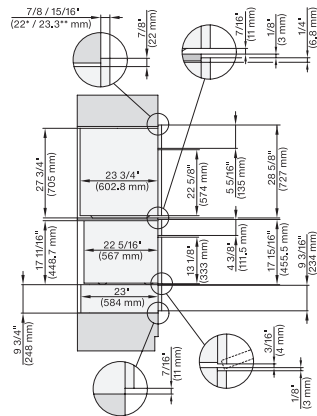
DGC7xxx, H2x80BP, H7x8xBP(X), side view, 30 Zoll, Proud, combi, XL, 650

7/8" – 22" mm – Glass, 15/16" – 23.3" mm – Stainless steel



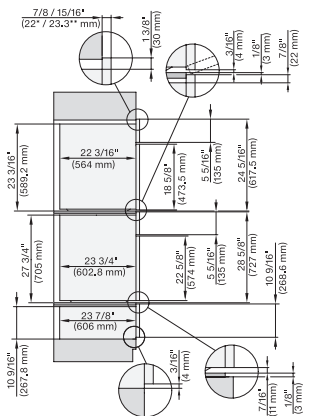
DGC7x8x, H2x80BP, H7x8xBP(X), side view, 30 Zoll, Proud, combi, XXL 650

7/8" – 22" mm – Glass, 15/16" – 23.3" mm – Stainless steel



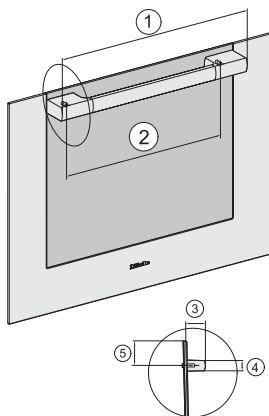
DGC7x4x+EBA7848, H7x80BP, H7x8xBP(X), ESW7x70, EVS7670, side view, 30 Zoll, Proud, combi, XL, 650

7/8" – 22" mm – Glass, 15/16" – 23.3" mm – Stainless steel



DGC7x8x(X), H2x80BP, H7x8xBP(X), ESW7x80, side view, 30 Zoll, Proud, combi, XXL, 650

7/8" – 22" mm – Glass, 15/16" – 23.3" mm – Stainless steel



Handle 30" DGC73xx, DGC75xx, DGC77xx, H71xx, H75xx, H77xx, ContourLine – NA7000 - Installation drawing

21 1/8" / 536 mm, 17 1/2" / 444 mm, 2 1/2" / 64 mm, 1 3/8" / 35 mm, 1 7/16" / 37 mm