



H50IMS/-AD

PRODUCT MANUAL



PERLICK RESIDENTIAL UNDERCOUNTER ICE MAKERS

To prevent appliance damage and injury, read these instructions thoroughly prior to installation.

H50IMS 15" SIGNATURE SERIES CLEAR ICE MAKER

H50IMS-AD 15" ADA COMPLIANT CLEAR ICE MAKER



CONTENTS

- 3** Safety Considerations
- 4** Construction
- 5** Electrical / Refrigerant
- 6** Niche / Product Dimensions / Connections
- 10** Prior To Installation
- 11** Installation Instructions
- 19** Setup
- 20** Electrical Connection
- 21** Water Supply And Drain Connections
- 22** Final Checklist
- 23** Startup
- 24** Maintenance
- 30** Preparing The Appliance For Periods Of Non-Use
- 31** Warranty

INTRODUCTION

Congratulations on your purchase of a Perlick Residential undercounter appliance. This manual has been prepared to assist you in the installation of your undercounter ice maker.

We dedicate considerable time to ensure that our products provide the highest level of customer satisfaction. We thank you for selecting Perlick products for your home and assure you of our continuing interest in your satisfaction.

WARRANTY REGISTRATION

To register your Perlick product, visit our website at www.perlick.com/RegisterMyPerlick and fill out the form. Once completed, click on the 'Submit Warranty Registration'. Be sure to register your product immediately upon installation to receive the warranty from installation date instead of shipment date. If left blank, the date will revert back to shipment date.

SAFETY CONSIDERATIONS

IMPORTANT SAFETY INFORMATION

This manual should be read carefully before the ice maker is installed and operated. Only qualified service technicians should install, service, and maintain the ice maker. Read the warnings contained in this booklet carefully as they give important information regarding safety. Please retain this booklet for any further reference that may be necessary.

⚠ DANGER This indicates that a hazardous situation may occur when instructions are not followed. It is imperative that directions in this guide are followed to prevent possible serious injury or death.

⚠ WARNING This indicates a situation where minor injury, product or cabinet damage may occur if the following instructions are not followed.

⚠ CAUTION This highlights information that is of significant importance.

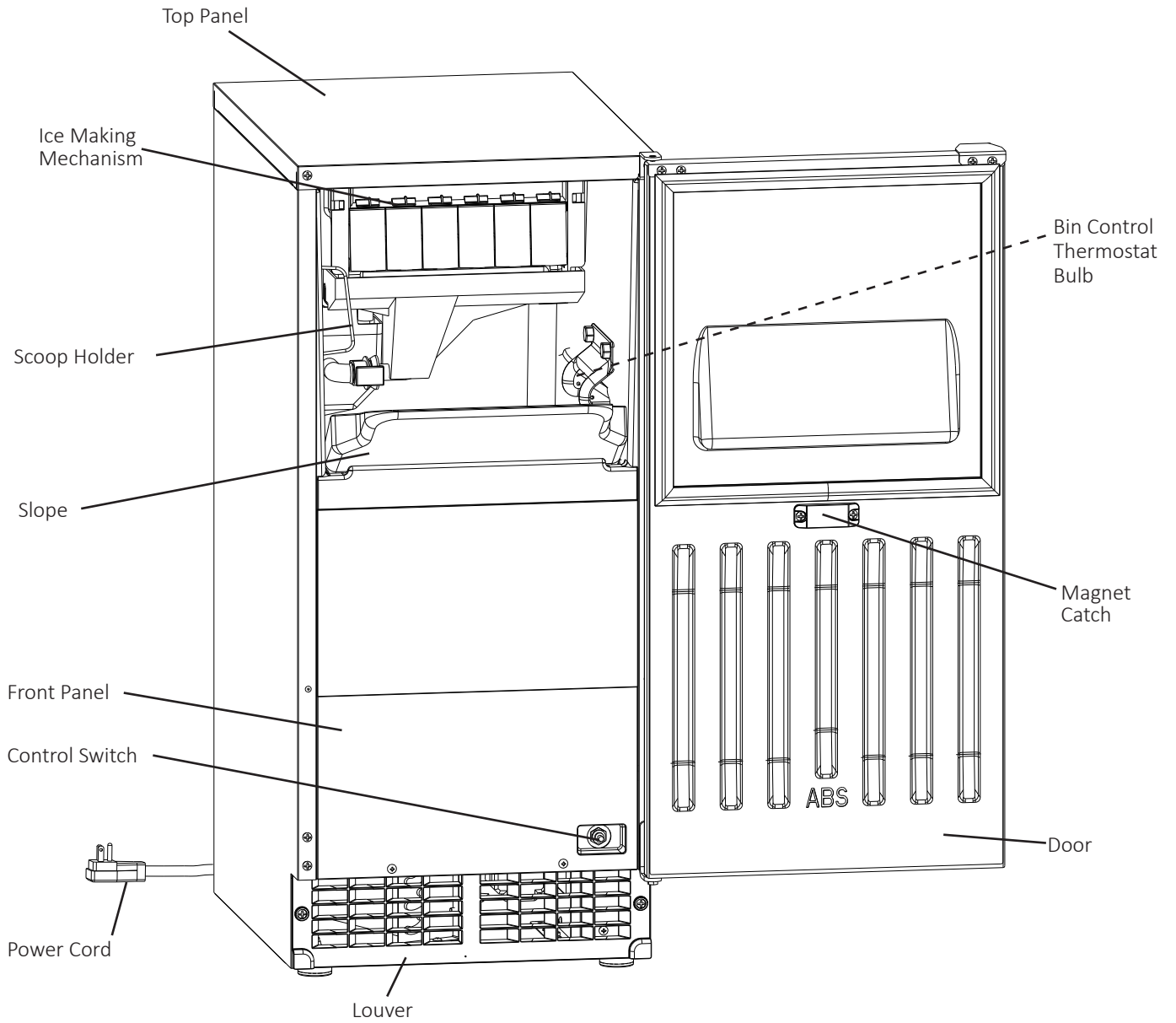
⚠ DANGER This ice maker should be destined only to the use for which it has been expressly conceived. Any other use should be considered improper and therefore dangerous. The manufacturer cannot be held responsible for eventual damage caused by improper, incorrect, and unreasonable use. To reduce the risk of death, electric shock, serious injury, or fire, follow basic precautions including the following:

- This unit requires an independent power supply. See the nameplate for proper voltage and breaker/fuse size. Failure to use a proper breaker or fuse can result in a tripped breaker, blown fuse, or damage to existing wiring. This could lead to heat generation or fire.
- **THIS APPLIANCE MUST BE GROUNDED:** This unit is equipped with a 3-prong grounding plug to reduce the risk of potential shock hazards. It must be plugged into a properly grounded, independent wall outlet. If the outlet is a 2-prong outlet, it is your personal responsibility to have a qualified electrician replace it with a properly grounded, independent 3-prong wall outlet. Do not remove the ground prong from the power cord and do not use an adapter plug.
- Do not use an extension cord.
- Make sure the control switch is in the “OFF” position before plugging in or unplugging the unit to reduce the risk of electric shock.
- Do not use a unit with a damaged power cord. The power cord should not be altered, jerked, bundled, weighed down, pinched, or tangled. Such actions could result in electric shock or fire. To unplug the unit, be sure to pull the plug, not the cord, and do not jerk the cord.
- To reduce the risk of electric shock, do not touch the plug or control switch with damp hands.
- This unit should be disassembled or repaired only by qualified service personnel to reduce the risk of electric shock, injury, or fire.
- Do not make any alterations to the unit. Alterations could result in electric shock, injury, fire, or damage to the unit.

⚠ WARNING: California Prop 65 Notice

These products may expose you to chemicals including Chromium, which are known to the state of California to cause cancer and birth defects or other reproductive harm. For more information on whether a product in this list contains these chemicals, please refer to the specific product page at perlick.com. Or to find out more about Prop 65, go to P65Warnings.ca.gov.

CONSTRUCTION





ELECTRICAL/REFRIGERANT

Model Number	H50IMS-R
Electrical Supply	115-120V, 60 Hz., Phase 1
Service	3.4 amp circuit
Power/Cord Type/ Length	NEMA 5-15P w/6' power cord
Design Pressure	HI-240PSI LO-120PSI
Refrigerant	134a 4.2 OZ.

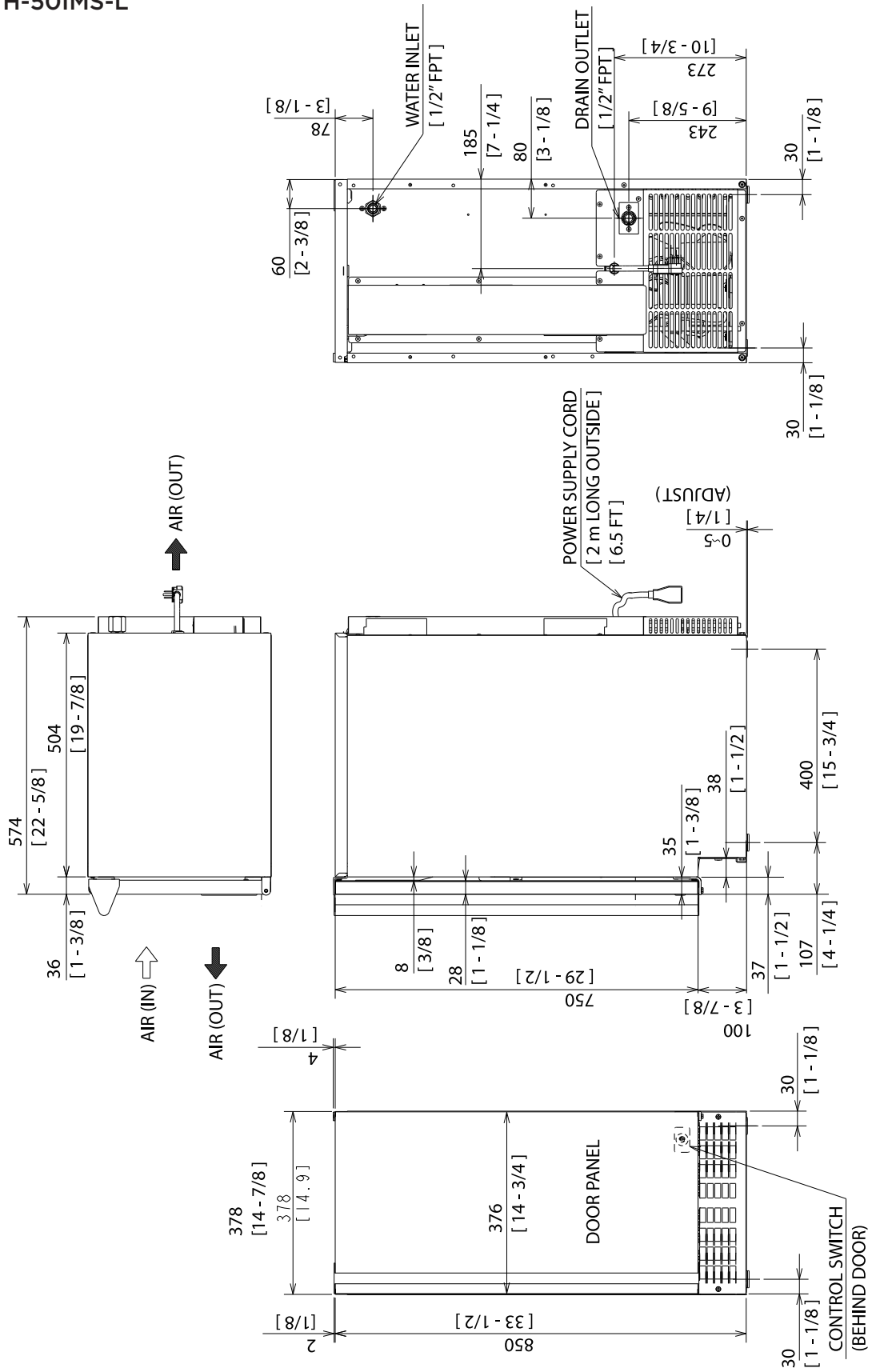
The nameplate provides electrical and refrigerant data. The nameplate is located inside the storage bin. For certification marks, see the nameplate.

We reserve the right to make changes in specifications and design without prior notice.



1. H50IMS-R, H-50IMS-L

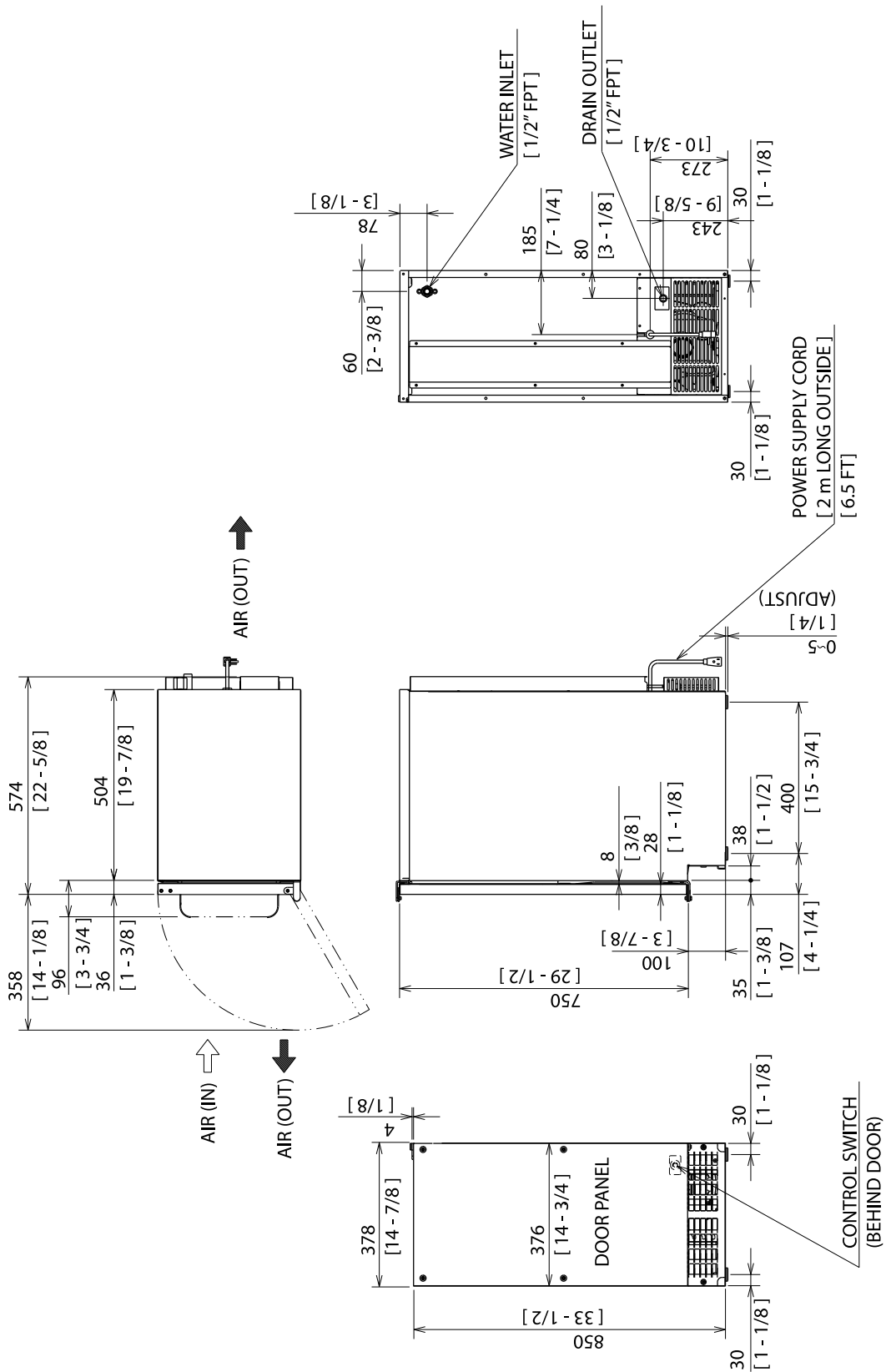
Units: mm [in.]





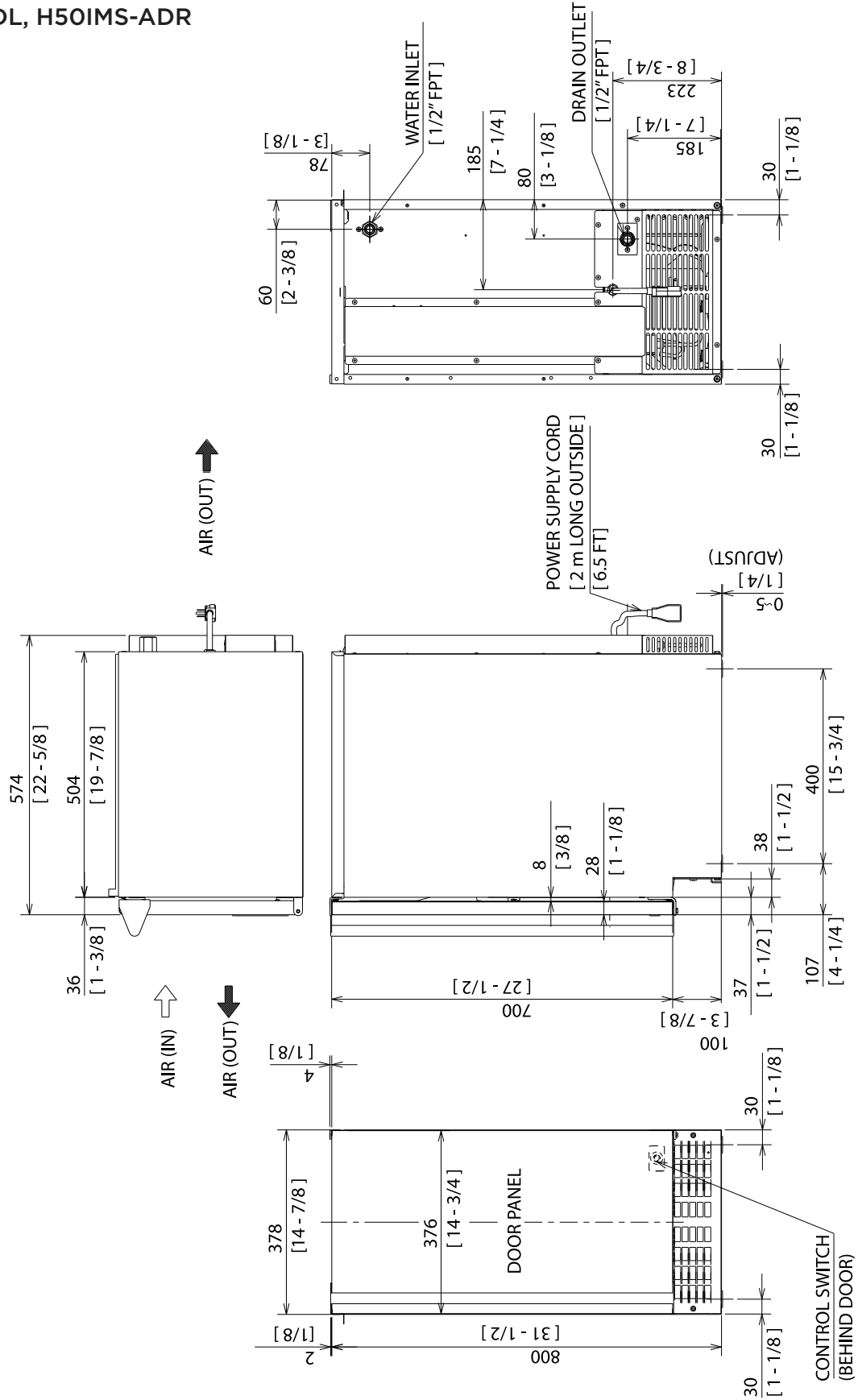
2. H50IMW

Units: mm [in.]



3. H50IMS-ADL, H50IMS-ADR

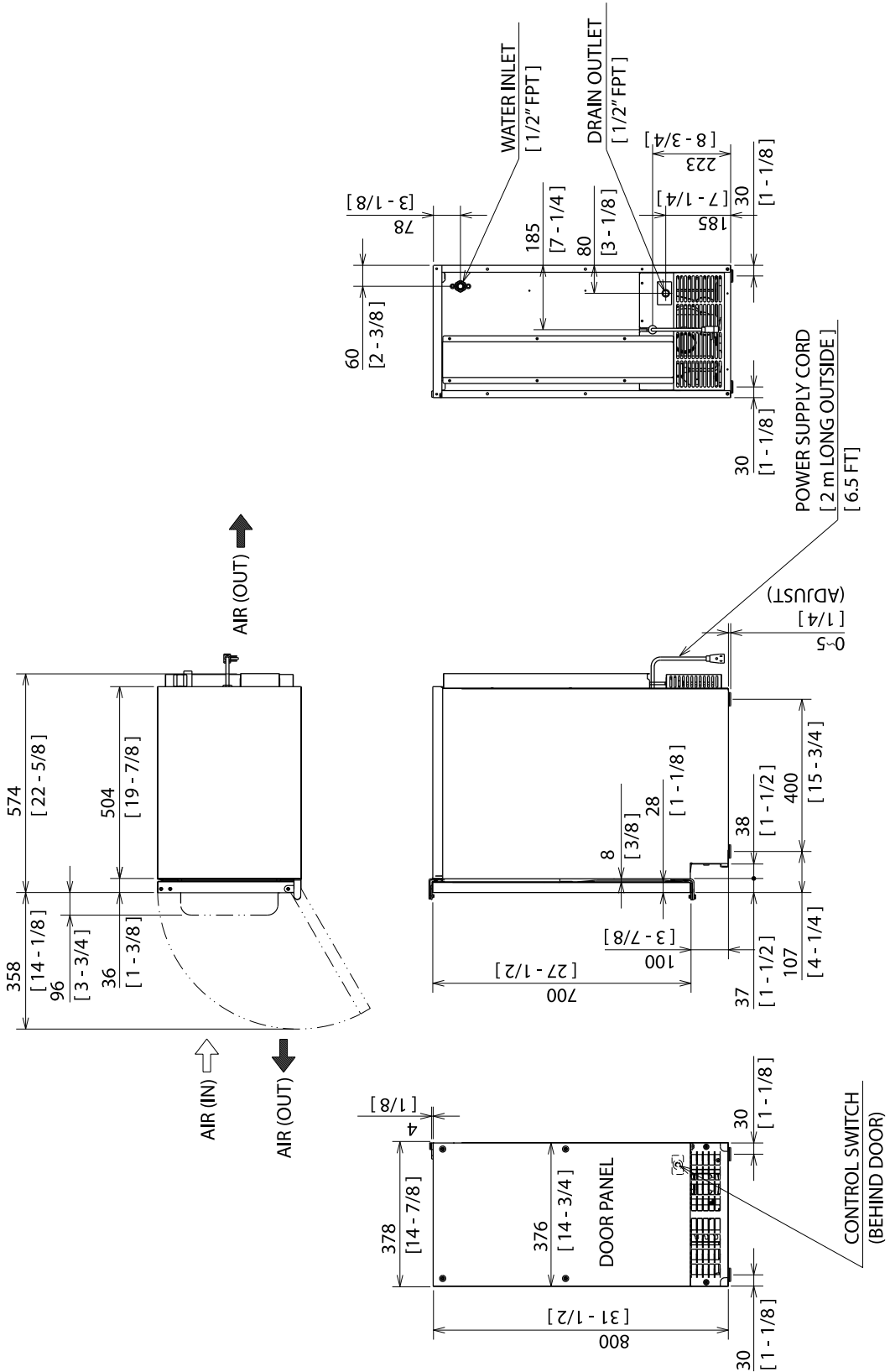
Units: mm [in.]





4. H50IMW-AD

Units: mm [in.]



**INSTALLATION INSTRUCTIONS**

⚠ DANGER The appliance must be installed in accordance with applicable national, state, and local codes and regulations.

⚠ DANGER **CHOKING HAZARD:** Ensure all components, fasteners, and thumbscrews are securely in place after installation. Make sure that none have fallen into the storage bin.

A. Checks Before Installation

Visually inspect the exterior of the shipping container and immediately report any damage to the carrier. Upon opening the container, any concealed damage should also be immediately reported to the carrier.

Remove the shipping carton, tape, and packing material. If any are left in the appliance, it will not work properly.

Remove the package containing the accessories.

Remove the protective plastic film from the panels. If the appliance is exposed to the sun or to heat, remove the film after the appliance cools.

See the nameplate inside the storage bin, and check that your voltage supplied corresponds with the voltage specified on the nameplate.

B. Location**1. General**

The appliance is approved for indoor or outdoor use.

WARNING Normal operating ambient temperature must be within 45°F to 100°F (7°C to 38°C); Normal operating water temperature must be within 45°F to 95°F (7°C to 35°C). Operation of the appliance, for extended periods, outside of these normal temperature ranges may affect appliance performance.

WARNING The appliance will not work at sub-freezing temperatures. To prevent damage to the water supply line, drain the appliance if the air temperature is going to go below 32°F (0°C). See “V. Preparing the Appliance for Periods of Non-Use.”

The appliance should not be located next to ovens, grills, or other high heat producing equipment.

The location must provide a firm and level foundation for the appliance.

The appliance requires no side or top clearance. But allow enough space at rear for water supply and drain connections and at least 15" (38 cm) clearance at front.

The appliance must be at floor level on a finished floor even if under a cabinet. In areas where water damage is a concern, install in a contained area with a floor drain.

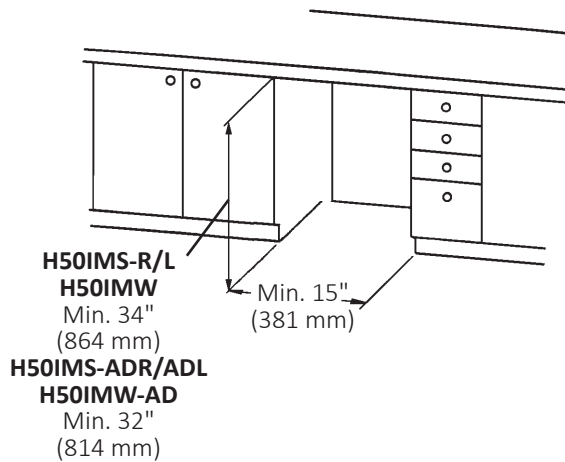
WARNING Do not let the weight of the counter rest on the appliance.

WARNING Do not install the appliance in a corner where the door will interfere with other equipment or where the appliance cannot be pulled out for service.

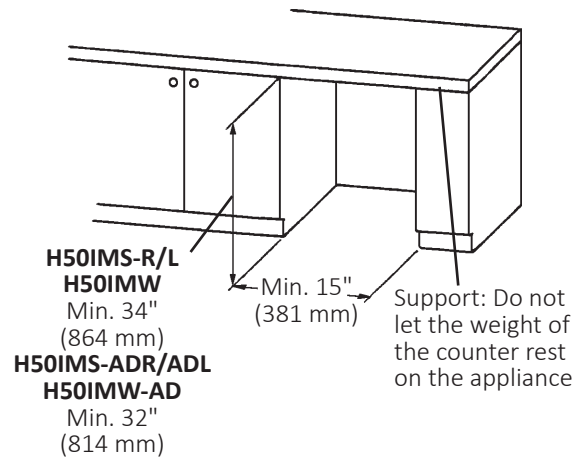
INSTALLATION INSTRUCTIONS

Installation Space			
Model	Height	Width	Depth
H50IMS-R/L H50IMW	34" (864 mm) minimum	15" (381 mm) minimum	24" (610 mm) minimum
H50IMS-ADR/ADL H50IMW-AD	32" (814 mm) minimum		

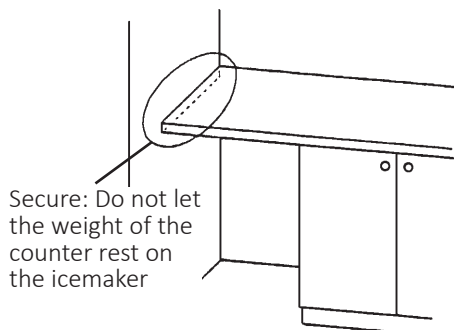
Between Two Cabinets



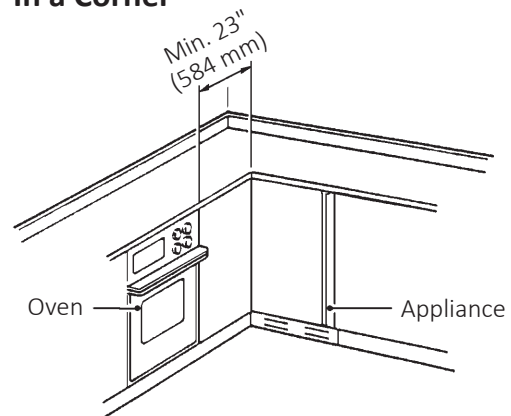
Between a Cabinet and the End of a Counter



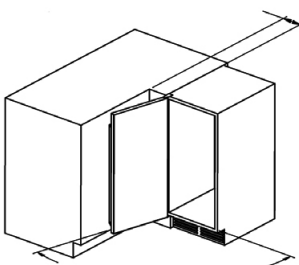
Between a Cabinet and a Wall or Tall Cabinet



In a Corner



4 7/8" minimum distance from corner to achieve desired door opening clearance



105° minimum door swing for convenient access to ice bin

INSTALLATION INSTRUCTIONS

2. H50IMW, H50IMW-AD

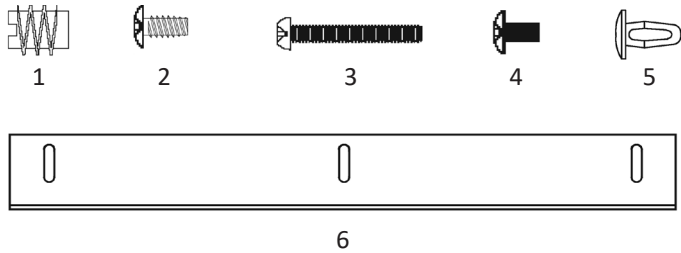
OVERLAY PANEL FABRICATION AND ATTACHMENT

CAUTION The overlay panel must be crafted by a professional cabinet maker to ensure quality results.

PARTS

Ensure that all parts required for the overlay panel assembly are contained in the accessories bag.

Overlay Panel Parts			
No.	Description	Part Number	Qty.
1	Threaded Wood Insert	4A4004-01	6
2	T2 Screw 4x8 SS	7P32-0408	3
3	Pan Head Screw M4x25 SS	7C12-0425	4
4	Truss Head Screw M4x8 SS	7C32-0408	2
5	Canoe Clip	4A5835-01	2
6	Sheet Metal Bracket	4A3998-01	1

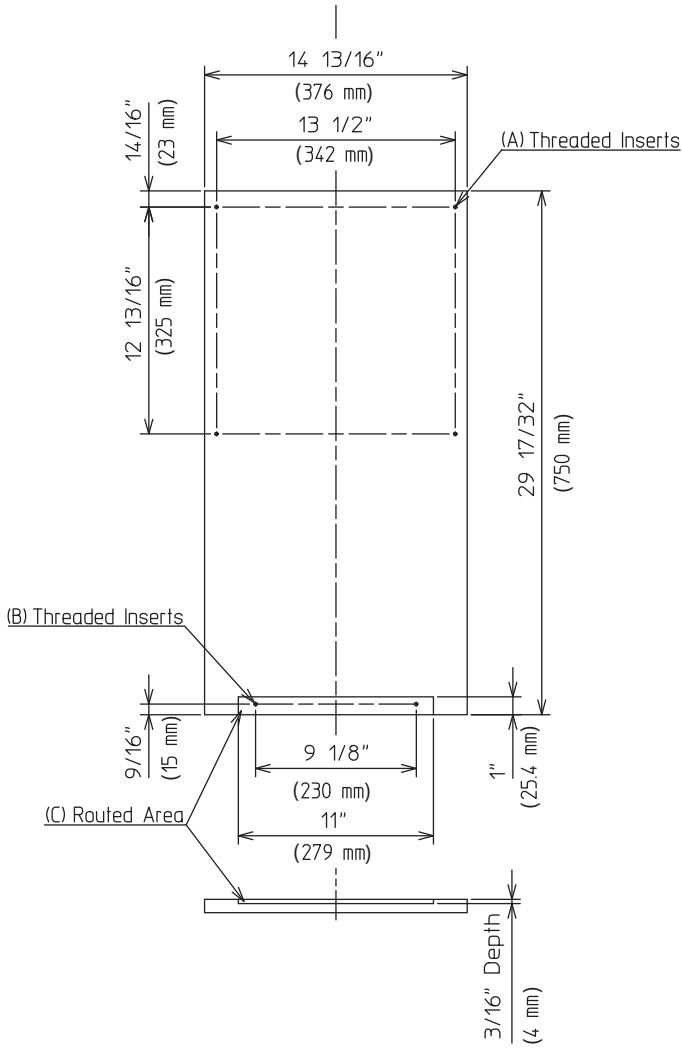


INSTALLATION INSTRUCTIONS

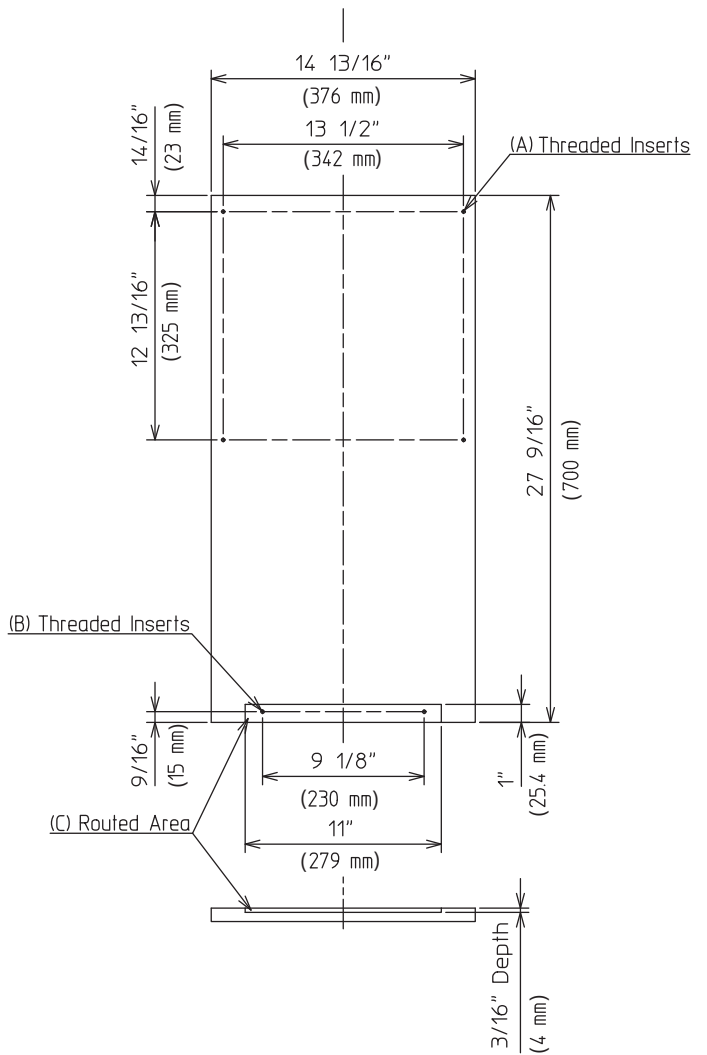
OVERLAY PANEL SPECIFICATION

Use the specification that applies to your appliance (H80CIMW or H80CIMW-AD) and the directions that follow to prepare your overlay panel.

H50IMW



H50IMW-AD



H50IMW Overlay Panel Specification	
Panel Height	29 17/32" (750 mm)
Panel Width	14 13/16" (376 mm)
Panel Thickness	5/8" (16 mm) min; 3/4" (19 mm) max
Panel and Door Weight (total)	20 lb. (9 kg) max

H50IMW-AD Overlay Panel Specification	
Panel Height	27 9/16" (700 mm)
Panel Width	14 13/16" (376 mm)
Panel Thickness	5/8" (16 mm) min; 3/4" (19 mm) max
Panel and Door Weight (total)	20 lb. (9 kg) max

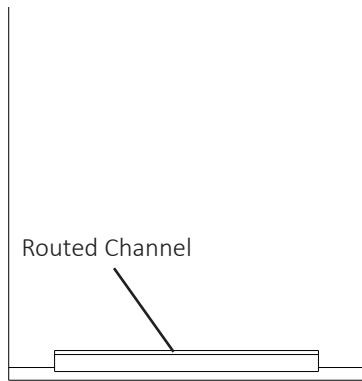
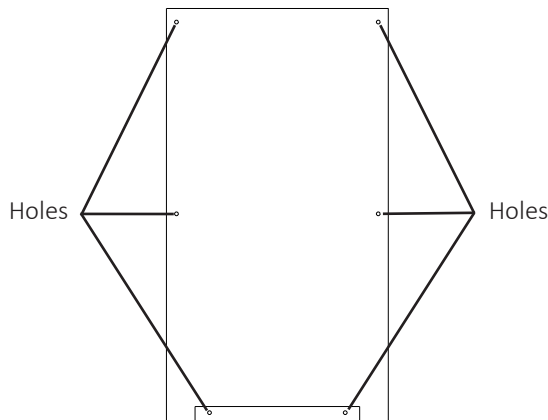
INSTALLATION INSTRUCTIONS
FABRICATION OF OVERLAY PANEL

Fabricate the overlay panel as outlined in the specification on the previous page and the instructions below.

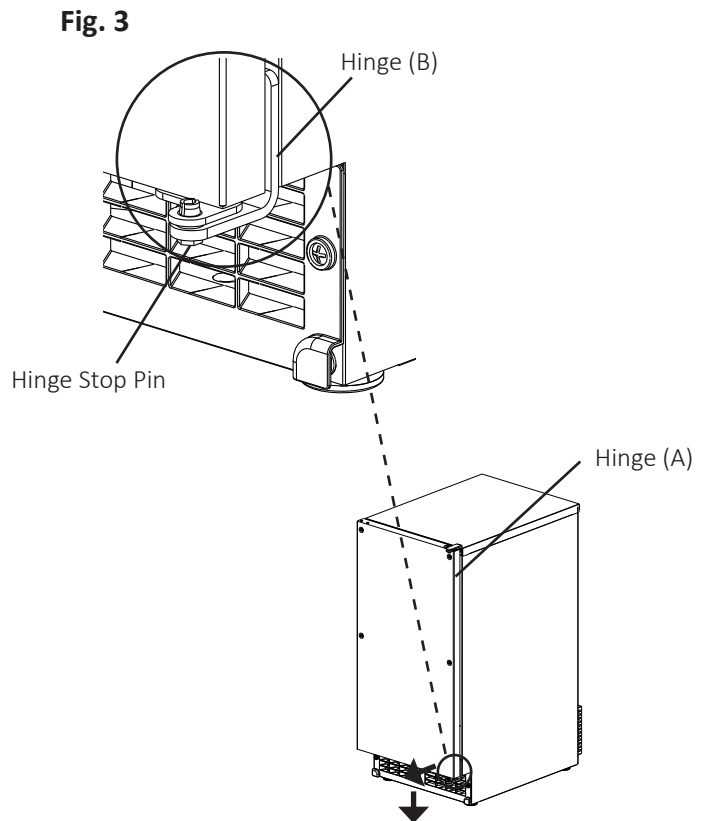
- 1) Rout a channel at the bottom of the overlay panel to the proper dimensions. See “(C) Routed Area” in the specification diagram and Fig. 1.
- 2) Drill six 1/4” diameter (hardwood may require slightly larger diameter) holes 3/8” (10 mm) deep in the locations designated.

WARNING Use care when drilling holes for mounting hardware. All drilled holes must be straight and drilled to the correct diameter and depth.

See “(A) Threaded Inserts” and “(B) Threaded Inserts” in the specification diagram and Fig. 2.


Fig. 1

Fig. 2

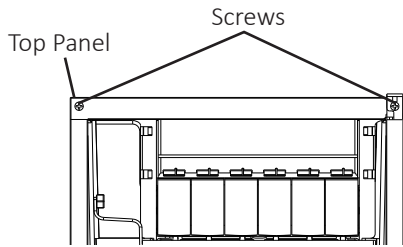
- 3) Screw the 6 threaded wood inserts into the 1/4” holes drilled in the previous step. Make sure that the inserts are threaded straight and that the tops of the inserts are flush to the overlay panel surface. Otherwise, the overlay panel cannot be properly fastened to the door.
- 4) Mount the door handle hardware. Perlick recommends that the door handle hardware be mounted on the edge opposite of the door hinge side (optional hinge reversal is covered in step 6. Countersunk screw heads are required to ensure that the hardware fasteners do not interfere with the overlay panel fitting flush with the door.
- 5) While maintaining a hold on the door, remove the hinge stop pin from hinge (B). Pull out the bottom of the door slightly and gently remove the door from hinge (A) (See Fig. 3). If you are leaving the door right hinged, skip to step 7. If you would like to reverse the door hinges, proceed to step 6.


Fig. 3

INSTALLATION INSTRUCTIONS

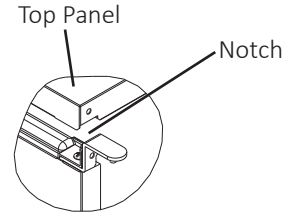
- 6) Remove hinge (A)-left from the accessory bag. Remove the 2 screws securing the top panel, then lift it off. (See Fig. 4).

Fig. 4



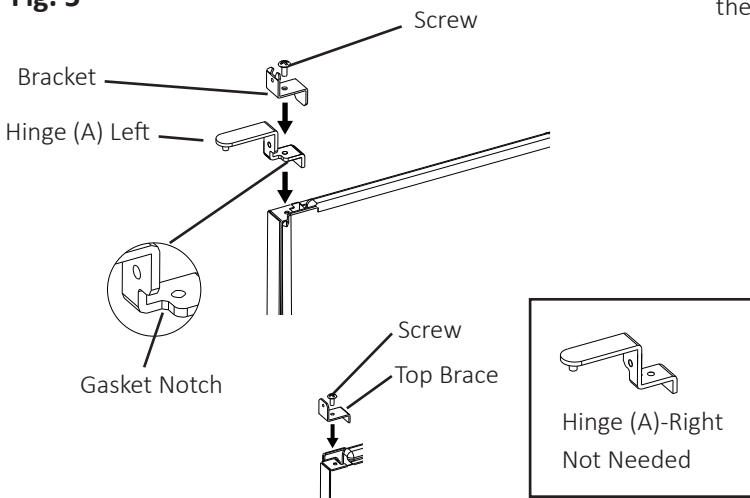
- 9) Rotate the top panel 180° from its previous position. This brings the notch that was previously in the right rear to the left front. See Fig. 7. Hook the rear part of the panel on the body, then secure the front with the 2 screws removed in step 6a.

Fig. 7



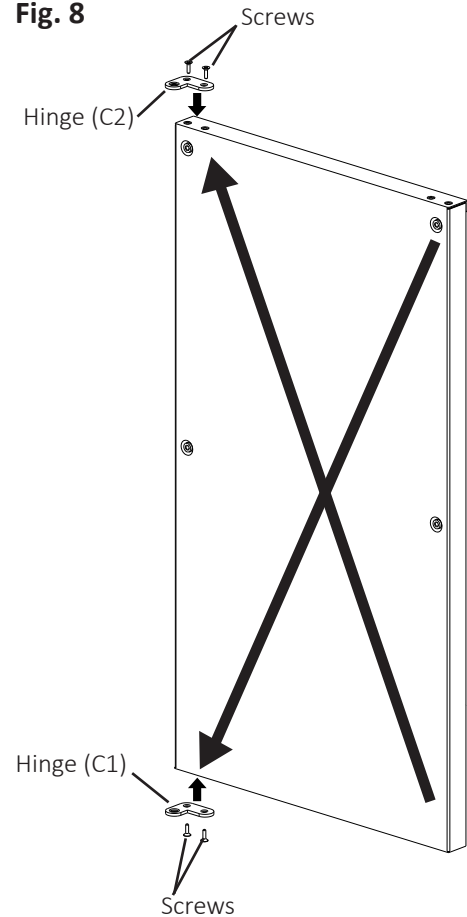
- 7) Remove hinge (A)-right and the bracket from the right side of the unit. Set aside hinge (A)-right; it is not needed. Remove the top brace from the left side. Fasten hinge (A)-left and the bracket to the left side and the top brace to the right side. See Fig. 5. *Note: When on the proper side, the gasket notch for hinge (A) is to the inside.*

Fig. 5



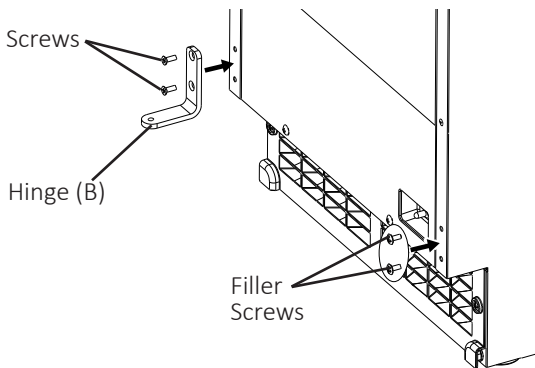
- 10) Remove hinge (C1) from the top right part of the door, flip it and reattach to the bottom left. Remove hinge (C2) from the bottom right part of the door, flip it and reattach to the top left. See Fig. 8.

Fig. 8



- 8) Remove hinge (B) from the right side of the unit and the 2 filler screws from the left side. Attach the 2 filler screws to the right side and attach hinge (B) to the left side. (See Fig. 6).

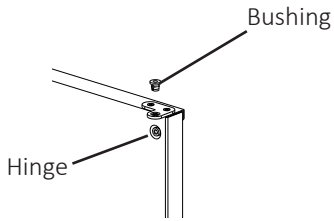
Fig. 6



INSTALLATION INSTRUCTIONS

- 7) Remove the bushings from hinge (C1) and hinge (C2) (the hinges attached to the door). See Fig. 9.

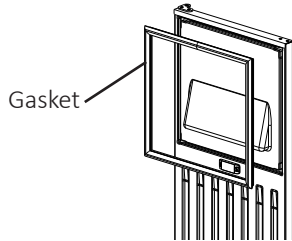
Fig. 9



WARNING Ensure that the back surface of overlay panel is flat before attaching.

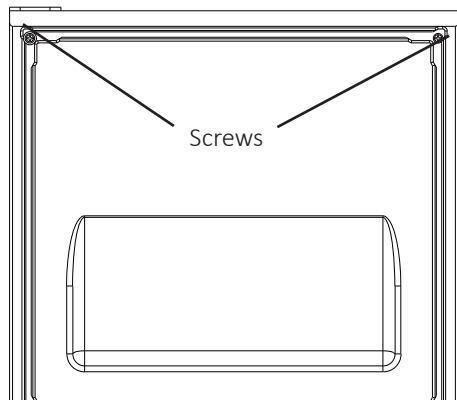
- 8) Remove the gasket from the door. See Fig. 10.

Fig. 10



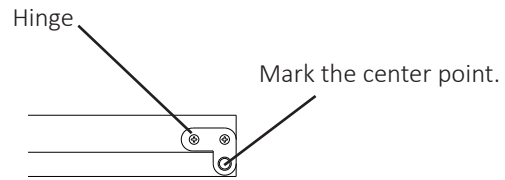
- 9) Temporarily fasten the overlay panel to the overlay panel to the door using 2 of the M4x25 pan head screws provided. See Fig. 11.

Fig. 11



- 10) Mark the center point of the hinge (C1) and hinge (C2) holes that extend over the overlay panel. See Fig. 12.

Fig. 12



- 11) Remove the overlay panel from the door.

- 12) Drill 3/8" diameter holes 1/4" (7 mm) deep where you marked on the overlay panel to accommodate the hinge (C1) and hinge (C2) bushings.

INSTALLATION INSTRUCTIONS

ATTACHMENT OF OVERLAY PANEL TO DOOR

- 1) Fasten the sheet metal bracket to the overlay panel using the two M4x8 truss head screws provided. Snug the screws, but do not tighten (See Fig. 13).
- 2) Temporarily fasten the overlay panel to the door using 2 of the M4x25 pan head screws provided (See Fig. 14).
- 3) Adjust the sheet metal bracket so that it is flush with the bottom of the door (See Fig. 15).
- 4) Remove the overlay panel from the door and tighten the two M4x8 truss head screws securing the sheet metal bracket to the overlay panel (See Fig. 16).

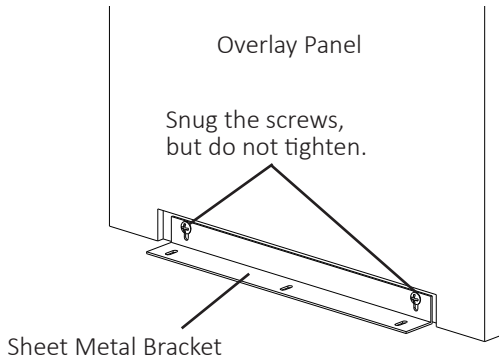


Fig. 13

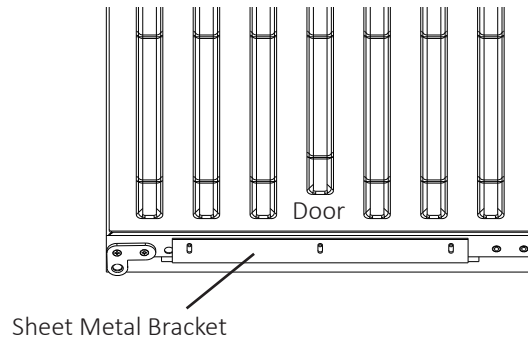


Fig. 15

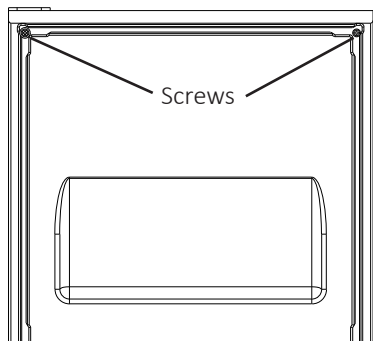


Fig. 14

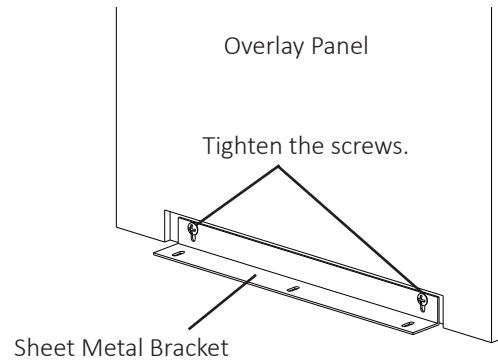


Fig. 16

INSTALLATION INSTRUCTIONS

- 5) Fasten the overlay panel to the door using the four M4×25 pan head screws provided. Snug the screws, but do not tighten (See Fig. 17).
- 6) Fasten the sheet metal bracket to the bottom of the door with the three T2 screws provided. Tighten the screws to the door (See Fig. 18).

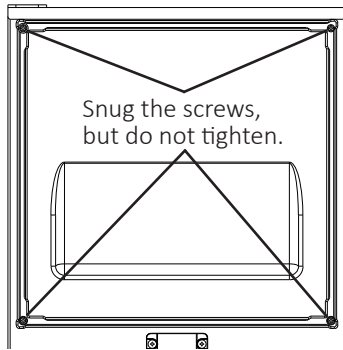


Fig. 17

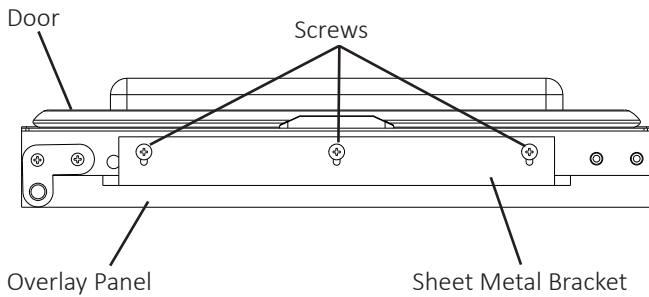


Fig. 18

- 7) Tighten the four M4×25 pan head screws installed in step 5 (See Fig. 19).

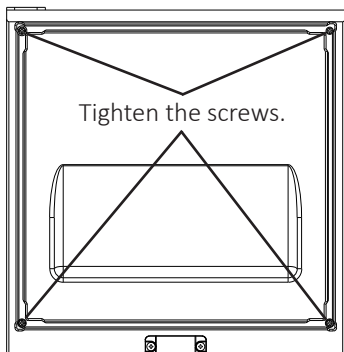


Fig. 19

- 8) Replace the door gasket in its proper orientation. Reinsert the bushings into hinge (C1) and hinge (C2) (the hinges attached to the door) (See Fig. 20).

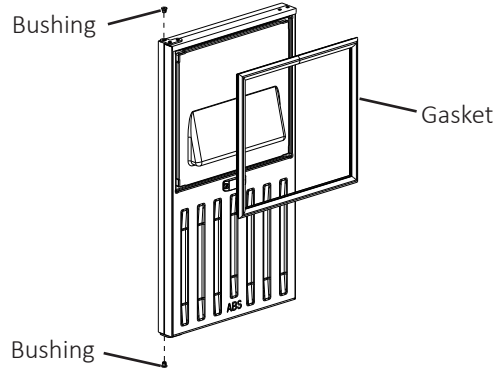


Fig. 20

- 9) Attach the door to hinge (A), then continue to maintain a hold on the door. Screw the hinge stop pin into hinge (B) until it is tight (See Fig. 21).
- 10) Insert the 2 canoe clips included in the accessory bag into the holes on top of the door (See Fig. 22).

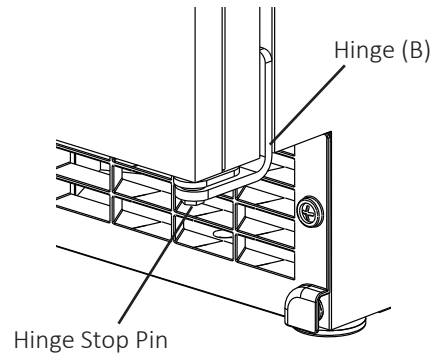


Fig. 21

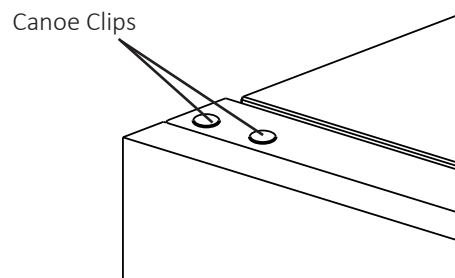


Fig. 22



SETUP

SETUP

- 1) Position the appliance in the selected permanent location.
- 2) Level the appliance from side-to-side and front-to-rear by adjusting the feet.

**ELECTRICAL CONNECTION**

⚠ DANGER Electrical connection must meet national, state, and local electrical code requirements. Failure to meet these code requirements could result in death, electric shock, serious injury, fire, or damage.

⚠ DANGER The appliance requires an independent power supply of proper capacity. See the nameplate for electrical specifications. Failure to use an independent power supply of proper capacity can result in a tripped breaker, blown fuse, damage to existing wiring, or component failure. This could lead to heat generation or fire.

⚠ DANGER **THE APPLIANCE MUST BE GROUNDED:**
The appliance is equipped with a NEMA 5-15 three-prong grounding plug to reduce the risk of potential shock hazards. It must be plugged into a properly grounded, independent 3-prong wall outlet. If the outlet is a 2-prong outlet, it is your personal responsibility to have a qualified electrician replace it with a properly grounded, independent 3-prong wall outlet. Do not remove the ground prong from the power cord and do not use an adapter plug. Failure to properly ground the appliance could result in death or serious injury.

⚠ DANGER Do not use an extension cord.

⚠ DANGER To reduce the risk of electric shock, do not touch the control switch or plug with damp hands. Make sure the control switch is in the “OFF” position before plugging in or unplugging the appliance.

⚠ DANGER Do not use an appliance with a damaged power cord. The power cord should not be altered, jerked, bundled, weighed down, pinched, or tangled. Such actions could result in electric shock or fire. To unplug the appliance, be sure to pull the plug, not the cord, and do not jerk the cord.

⚠ DANGER The GREEN ground wire in the factory-installed power cord is connected to the appliance. If it becomes necessary to remove or replace the power cord, be sure to connect the power cord’s ground wire to this screw upon reattachment.

Usually an electrical permit and services of a licensed electrician are required.

The maximum allowable voltage variation is ± 10 percent of the nameplate rating.

For optional drain pump (63802A) installation, refer to the instructions included with the pump.

WATER SUPPLY AND DRAIN CONNECTIONS

WATER SUPPLY AND DRAIN CONNECTIONS

⚠ DANGER Water supply and drain connections must be installed in accordance with applicable national, state, and local regulations.

WARNING Normal operating water temperature must be within 45°F to 95°F (7°C to 35°C). Operation of the appliance, for extended periods, outside of this normal temperature range may affect appliance performance.

WARNING Water supply pressure must be a minimum of 10 PSIG and a maximum of 113 PSIG. If the pressure exceeds 113 PSIG, the use of a pressure reducing valve is required.

WARNING External filters, strainers, or softeners may be required depending on water quality. Contact your local Perlick Certified Service Representative or local Perlick distributor for recommendations.

WARNING Connect to potable water supply only. Do not connect to a hot-water supply.

WARNING In areas where water damage is a concern, install in a contained area with a floor drain.

WARNING Water line installation to the appliance is not warranted by Perlick.

WARNING Water-hammer issues must be resolved by a qualified plumber before installing the appliance. Water hammer can cause appliance damage that may lead to water leakage or flooding.

WARNING A minimum of 1/2" nominal ID hard pipe or equivalent is required for the drain line. Installing a smaller diameter drain line will reduce water flow and may lead to water leakage or flooding.

WARNING If using the optional drain pump (63802A), test its operation every time the appliance is cleaned and sanitized. See "IV.E. Optional Drain Pump 63802A" for details. If the optional drain pump is not operating properly, water could back up and overflow, leading to costly water damage.

Water Supply Inlet	Minimum Water Supply Line Size	Drain Outlet	Minimum Drain Line Size
1/2" Female Pipe Thread (FPT)	1/4" Nominal ID Copper Water Tubing or Equivalent	1/2" Female Pipe Thread (FPT)	1/2" Nominal ID Hard Pipe or Equivalent

A plumbing permit and services of a licensed plumber may be required in some areas.

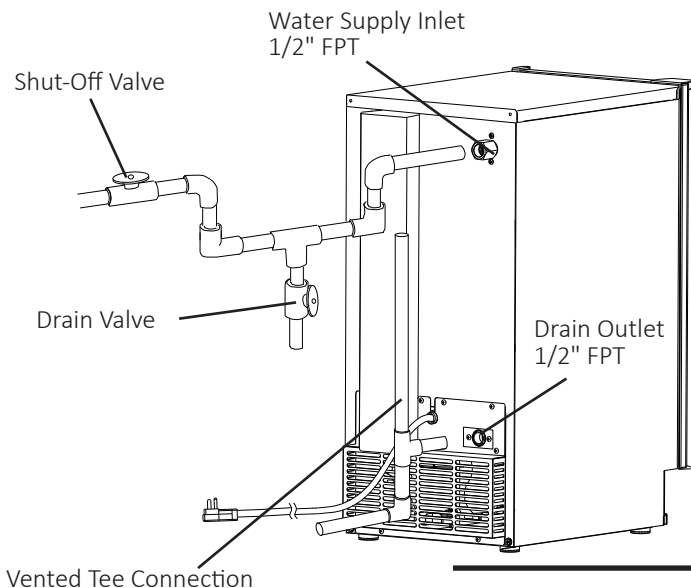
A water supply line shut-off valve and drain valve must be installed.

Be sure there is sufficient extra water supply line and drain line for the appliance to be pulled out for service.

Drain line should not be piped directly to the sewer system

An air gap of a minimum of 2 vertical inches (5 cm) must be between the end of the drain pipe from the appliance and the floor drain.

For gravity drain installation, drain must have 1/4" fall per foot (2 cm per 1 m) on horizontal runs to get good flow. A vented tee connection is also required for proper flow. Extend the vent at least 12" (30 cm) above the drain outlet. For optional drain pump (63802A) installation, refer to the instructions included with the pump.



Be sure there is sufficient extra water supply line and drain line for the appliance to be pulled out for service.

Piping to approved drain. Leave a 2-inch (5-cm) vertical air gap between the end of the pipe and the drain.

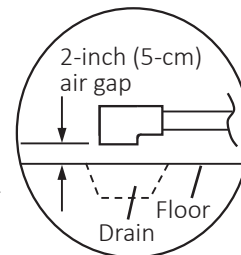


Fig. 23



FINAL CHECKLIST

FINAL CHECKLIST

▲ DANGER **CHOKING HAZARD: Ensure all components, fasteners, and thumbscrews are securely in place after installation. Make sure that none have fallen into the storage bin.**

1. Is the appliance level?
2. Is the appliance in a site where the ambient temperature is within 45°F to 100°F (7°C to 38°C) and the water temperature within 45°F to 95°F (7°C to 35°C) all year around?
3. Have the shipping carton, tape, and packing material been removed from the appliance? Has the protective plastic film been removed from the panels?
4. Have all electrical and water connections been made? Do electrical and water connections meet all national, state, and local code and regulation requirements?
5. Has the power supply voltage been checked or tested against the nameplate rating? Is the power supply a properly grounded, independent 3-prong wall outlet?
6. Are the water supply and drain lines sized as specified? Are the water supply line shut-off valve and drain valve installed? Has the water supply pressure been checked to ensure a minimum of 10 PSIG and a maximum of 113 PSIG?
7. Are all components, fasteners, and thumbscrews securely in place?
8. Has the end user been given this instruction manual, and instructed on how to operate the appliance and the importance of the recommended periodic maintenance?
9. Has the end user been given the name and telephone number of an authorized service agent?
10. Has the warranty tag been filled out and forwarded to the factory for warranty registration?

STARTUP

STARTUP

⚠ DANGER All parts are factory-adjusted. Improper adjustments may adversely affect safety, performance, component life, and warranty coverage.

⚠ WARNING If the appliance is turned off, wait for at least 3 minutes before restarting the appliance to prevent damage to the compressor.

⚠ WARNING At startup, confirm that all internal and external connections are free of leaks.

1. Open the water supply line shut-off valve.
2. Make sure the control switch is in the "OFF" position. Plug the appliance into the electrical outlet.

⚠ DANGER To reduce the risk of electric shock, do not touch the control switch or plug with damp hands. If you have to slide the appliance back for a built-in installation, make sure you do not damage or pinch the water supply line, drain line, or power cord.

3. If required by sanitation code in your area, seal the perimeter where the appliance touches the floor with approved caulk compound in a smooth and easily cleanable manner.
4. Move the control switch to the "ICE" position to start the automatic ice making process.
5. Once the appliance starts to produce ice, allow it to run for another 30 minutes.
6. Move the control switch to the "OFF" position.

7. Inside the storage bin, disconnect the suction tube by squeezing the tabs and pulling the tube clear. See Fig. 24. Allow the water tank to drain.

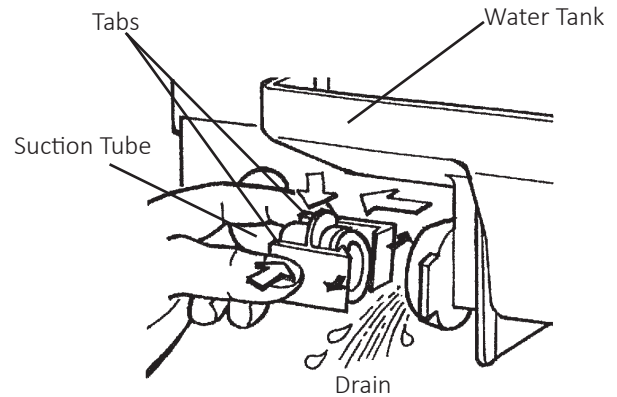


Fig. 24

8. Reconnect the suction tube as illustrated. See Fig. 25. Make sure the tabs lock into place; a loose fitting may cause a water leak.

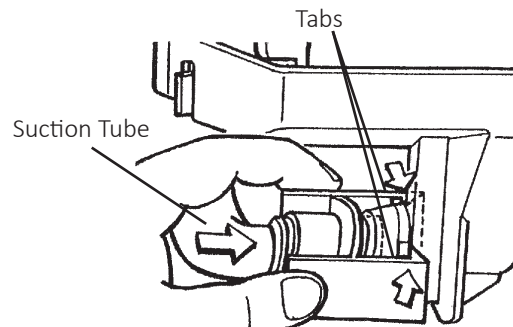


Fig. 25

9. Remove the ice produced, then clean the storage bin liner, door liner, and door gasket using a neutral cleaner. Rinse thoroughly after cleaning.
10. Move the control switch to the "ICE" position to start the automatic ice making process.
11. To confirm bin control operation, hold ice in contact with the bin control thermostat bulb. If the icemaker does not stop within 10 seconds, the bin control thermostat must be adjusted. Installations at higher altitude locations are more likely to require adjustment.

**MAINTENANCE****MAINTENANCE**

The appliance must be maintained in accordance with the instruction manual and labels provided with the appliance. Consult with your local Perlick Certified Service Representative about maintenance service. To obtain the name and phone number of your local Perlick Certified Service Representative, visit www.perlick.com.

⚠ DANGER Only qualified service technicians should service the appliance.

⚠ DANGER Failure to install, operate, and maintain the equipment in accordance with this manual will adversely affect safety, performance, component life, and warranty coverage.

⚠ DANGER To reduce the risk of electric shock, do not touch the control switch or plug with damp hands. Make sure the control switch is in the “OFF” position before plugging in or unplugging the appliance.

⚠ DANGER Move the control switch to the “OFF” position and unplug the appliance from the electrical outlet before servicing.

⚠ DANGER CHOKING HAZARD: Ensure all components, fasteners, and thumbscrews are securely in place after any maintenance is done to the appliance. Make sure that none have fallen into the storage bin.

⚠ DANGER Do not place fingers or any other objects into the ice discharge opening.

⚠ DANGER After service, make sure that there are no wires pinched between the panels and appliance. Make sure you do not damage or pinch the water supply line, drain line, or power cord.

MAINTENANCE

CLEANING AND SANITIZING INSTRUCTIONS

The appliance must be cleaned and sanitized at least once a year. More frequent cleaning and sanitizing may be required in some conditions.

⚠ DANGER To prevent injury to individuals and damage to the appliance, do not use ammonia type cleaners.

⚠ DANGER Carefully follow any instructions provided with the cleaning and sanitizing solutions.

⚠ DANGER Always wear liquid-proof gloves and goggles to prevent the cleaning and sanitizing solutions from coming into contact with skin or eyes.

⚠ DANGER Do not use ice made from the cleaning and sanitizing solutions. After cleaning and sanitizing, be careful not to leave any solution in the appliance.

⚠ DANGER Do not place fingers or any other objects into the ice discharge opening (extruding head).

1. Cleaning Solution

Dilute 4 fl. oz. (118 ml or 8 tbs) of Nu-Calgon “Liquid Ice Machine Cleaner” with 1 gal (3.8 l) of warm water. This is a minimum amount. Make more solution if necessary. It is recommended that cleaning be performed by a qualified service technician.

CAUTION For safety and maximum effectiveness, use the solution immediately after dilution.

2. Cleaning Procedure

- 1) Remove all ice from the storage bin.
 Note: To remove cubes on the evaporator, move the control switch to the “OFF” position and then move it back to the “ICE” position after 3 minutes. The harvest cycle starts and the cubes will be removed from the evaporator.
- 2) Move the control switch to the “OFF” position.
- 3) Inside the storage bin, disconnect the suction tube by squeezing the tabs and pulling the tube clear. See Fig. 26. Allow the water tank to drain.

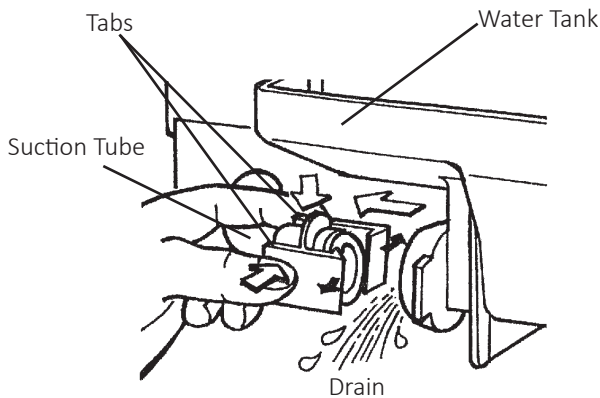


Fig. 26

- 4) Reconnect the suction tube as illustrated. See Fig. 27. Make sure the tabs lock into place; a loose fitting may cause a water leak.

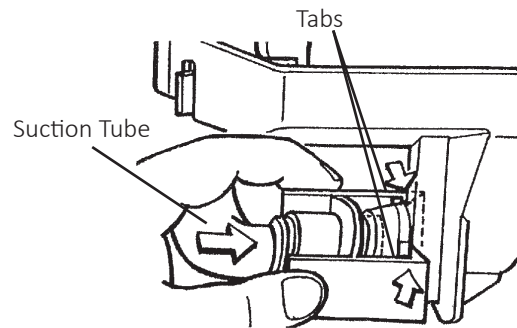


Fig. 27

- 5) Slowly pour the cleaning solution into the water tank.
- 6) Move the control switch to the “WASH” position.
- 7) Allow the cleaning solution to circulate for 30 minutes, then move the control switch to the “OFF” position.
- 8) Disconnect the suction tube. Allow the water tank to drain, then reconnect the suction tube.
- 9) Move the control switch to the “ICE” position and allow the icemaker to operate for 2 minutes. This allows the water tank to fill with water.
- 10) Move the control switch to the “WASH” position.
- 11) Allow the water to circulate for 5 minutes, then move the control switch to the “OFF” position.
- 12) Disconnect the suction tube. Allow the water tank to drain, then reconnect the suction tube.
- 13) Repeat steps 9 through 12 three more times to rinse thoroughly.

Note: If you do not sanitize the appliance, go to step 8 in “IV.B.5. Sanitizing Procedure - Final.”

MAINTENANCE

CLEANING AND SANITIZING INSTRUCTIONS (cont.)

3. Sanitizing Solution

Dilute 0.5 fl. oz. (14.8 ml or 1 tbs) of a 5.25% sodium hypochlorite solution (chlorine bleach) with 1 gallon (3.8 l) of warm water. This is a minimum amount. Make more solution if necessary. Using a chlorine test strip or other method, confirm that you have a concentration of about 200 ppm.

CAUTION For safety and maximum effectiveness, use the solution immediately after dilution.

4. Sanitizing Procedure

- 1) Make sure the control switch is in the "OFF" position and the storage bin is empty.
- 2) Remove the slope from the storage bin by carefully bending it in the center and releasing it from the 2 slope shafts. See Fig. 28.

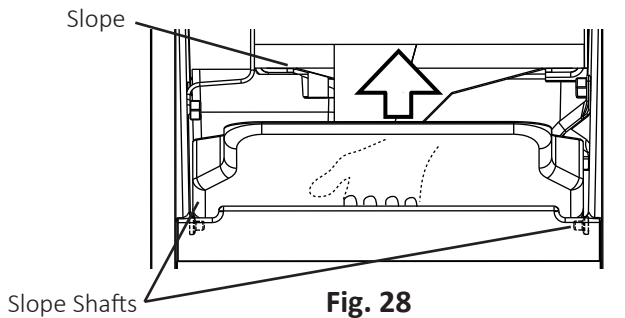


Fig. 28

- 3) Remove each separator by lifting it to the horizontal position and pushing it hard inward. See Fig. 29.

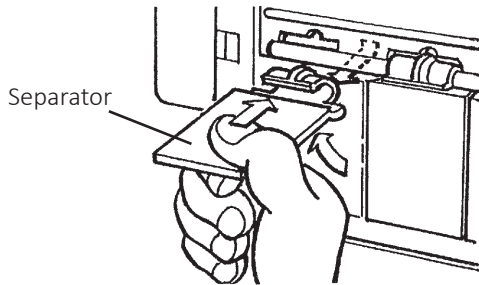


Fig. 29

- 4) Disconnect the suction tube. Allow the water tank to drain.

- 5) Spread out the tabs to unlock the water tank, then slide it out. See Fig. 30.

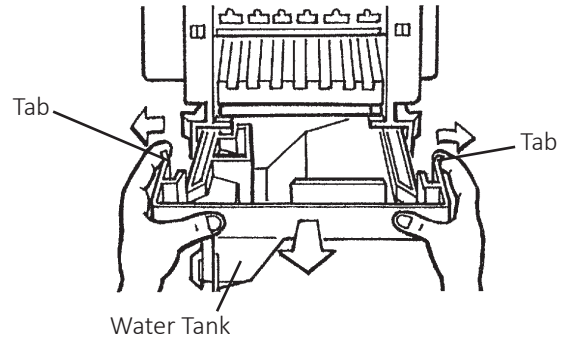


Fig. 30

- 6) Lift off the ice chute from the frame pipe and then from the rear frame pipe. See Fig. 31.

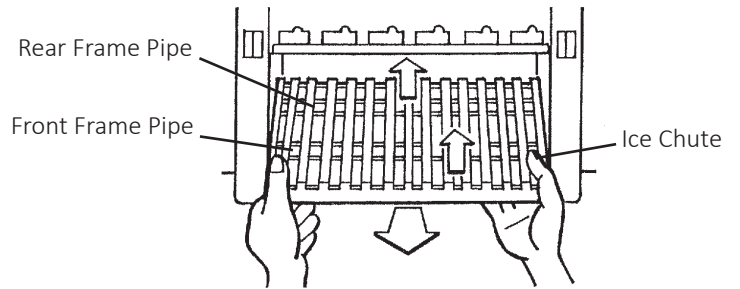


Fig. 31

⚠ DANGER **D:** Ensure all components, fasteners, and thumbscrews are securely in place. Make sure that none have fallen into the storage bin.

- 7) Disconnect the discharge tube from the spray assembly, then slide out the spray assembly. See Fig. 32.

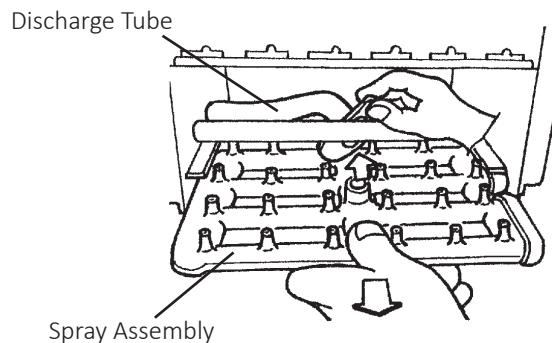


Fig. 32

MAINTENANCE

- 8) Remove the two caps. See Fig. 33.

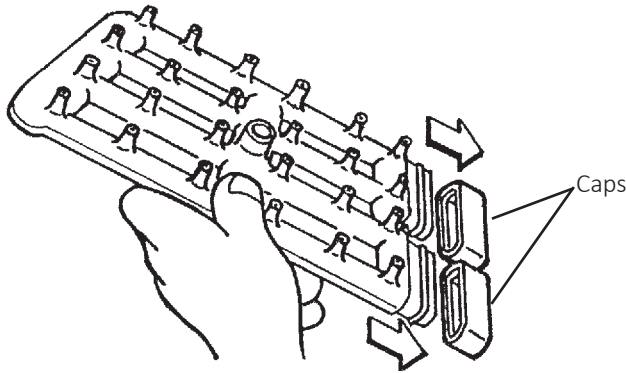


Fig. 33

- 9) Soak all of the removed parts and the scoop in the sanitizing solution for 10 minutes. If the spray assembly nozzles are clogged, clean them with a wire or a suitable brush.
- 10) Rinse the parts thoroughly with clean water.
- 11) Refit the 2 caps in their correct positions. Make sure the reducing pipe is in place in the center. See Fig. 34.

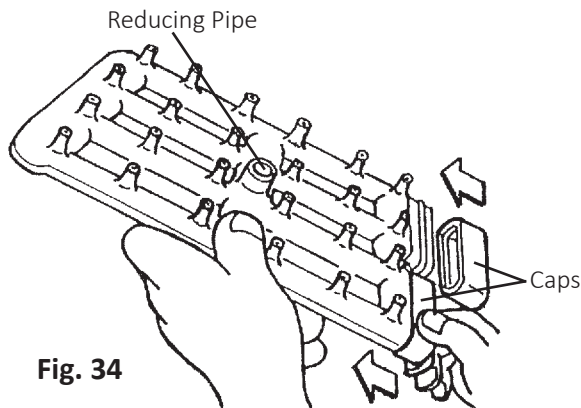


Fig. 34

- 12) Slide in the spray assembly along the rails on the left and right brackets. See Fig. 35. Connect the discharge tube securely to the spray assembly; a loose fitting may cause a water leak.

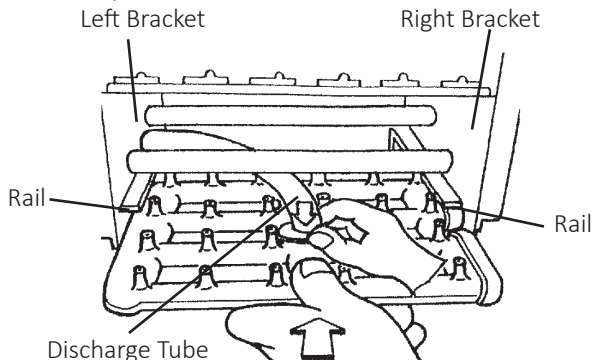


Fig. 35

- 13) Position and lock the ice chute onto the front and rear frame pipes by pushing the ice chute down until it clicks onto both frame pipes. See Fig. 36.

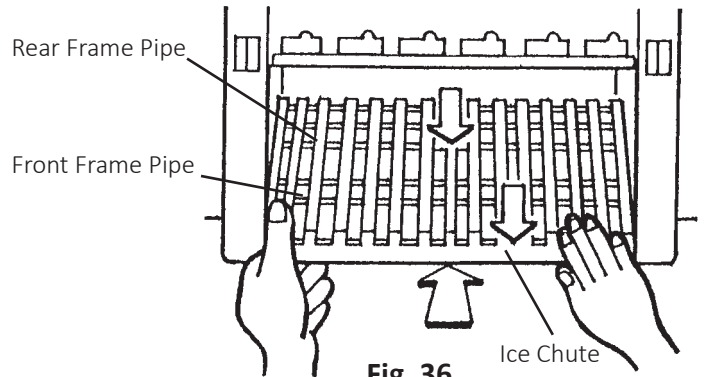


Fig. 36

- 14) Slide in the water tank along the rails at the bottom of the left and right brackets until it locks into place. See Fig. 37.

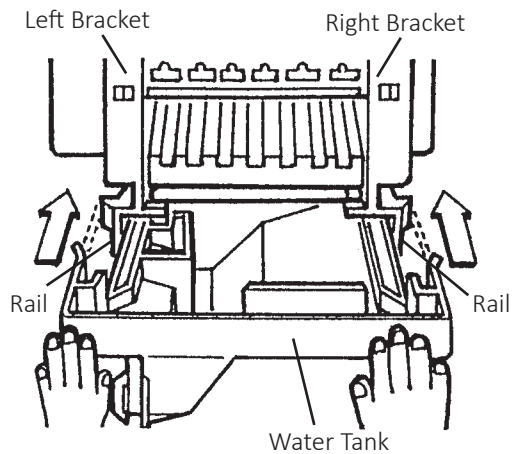


Fig. 37

- 15) Reconnect the suction tube.
- 16) Hook each separator onto the rail, then pull it hard towards you until it locks into place. See Fig. 38.

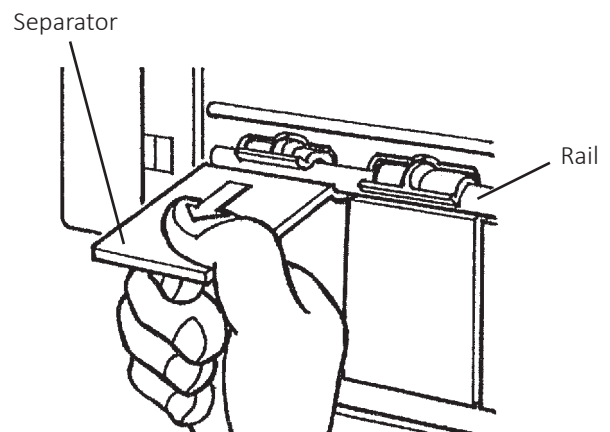


Fig. 38

MAINTENANCE

- 17) Replace the slope in its correct position. See Fig. 39.

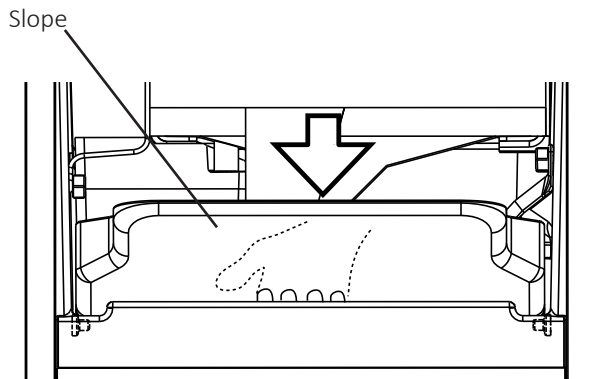


Fig. 39

- 18) Discard the sanitizing solution.
- 19) Mix a new batch of the sanitizing solution and slowly pour it into the water tank.
- 20) Move the control switch to the "WASH" position.
- 21) After circulating the sanitizing solution for 15 minutes, move the control switch to the "OFF" position.
- 22) Disconnect the suction tube. Allow the water tank to drain, then reconnect the suction tube.
- 23) Repeat steps 19 through 22 one time.
- 24) Move the control switch to the "ICE" position and allow the icemaker to operate for 2 minutes. This allows the water tank to fill with water.
- 25) Move the control switch to the "WASH" position.
- 26) Allow the water to circulate for 5 minutes, then move the control switch to the "OFF" position.
- 27) Disconnect the suction tube. Allow the water tank to drain, then reconnect the suction tube.
- 28) Repeat steps 24 through 27 two more times to rinse thoroughly.
- 29) Clean the storage bin liner, door liner, and door gasket with a neutral cleaner. Rinse thoroughly after cleaning.
- 30) Move the control switch to the "ICE" position to start the automatic ice making process.

MAINTENANCE

STAINLESS STEEL EXTERIOR

To prevent corrosion, wipe the exterior occasionally with a clean and soft cloth. Use a damp cloth containing a neutral cleaner to wipe off oil or dirt build up.

STORAGE BIN DRAIN

In some conditions, slime may build up inside the storage bin drain and prevent water from draining properly. To prevent this buildup, perform the following procedure once every 3 months or as often as necessary for conditions.

WARNING If the storage bin drain becomes clogged, water could build up in the bin and overflow, leading to costly water damage.

- 1) Move the control switch to the "OFF" position

⚠ DANGER To reduce the risk of electric shock, do not touch the control switch with damp hands.

- 2) Remove all ice from the storage bin.
- 3) Mix a batch of sanitizing solution by diluting 1.25 fl.oz. (37 ml or 2.5 tbs) of a 5.25% sodium hypochlorite solution (chlorine bleach) with 2.5 gallons (9.5 l) of warm water. Using a chlorine test strip or other method, confirm that you have a concentration of about 200 ppm.

CAUTION For safety and maximum effectiveness, use the solution immediately after dilution.

- 4) Slowly pour the sanitizing solution into the storage bin.
- 5) After all of the solution has drained, clean the storage bin liner with a neutral cleaner. Rinse thoroughly with clean water.
- 6) Move the control switch to the "ICE" position to start the automatic ice making process.

CONDENSER

Check the condenser once a year, and clean if required by following the steps below. More frequent cleaning may be required depending on location.

⚠ DANGER Condenser fins are sharp. Use care when cleaning.

- 1) Move the control switch to the "OFF" position, then unplug the appliance from the electrical outlet

⚠ DANGER To reduce the risk of electric shock, do not touch the control switch or plug with damp hands.

- 2) Remove the screws securing the front panel, then remove it (See Fig. 40).
- 3) Remove the screws securing the louver, then remove it.
- 4) Use a brush attachment on a vacuum cleaner to gently clean the condenser fins. Do not use too much force, otherwise the fins could be damaged.
- 5) Replace the louver and front panel in their correct positions. Ensure that the screws are securely in place.
- 6) Plug the appliance back in. Move the control switch to the "ICE" position to start the automatic ice making process.

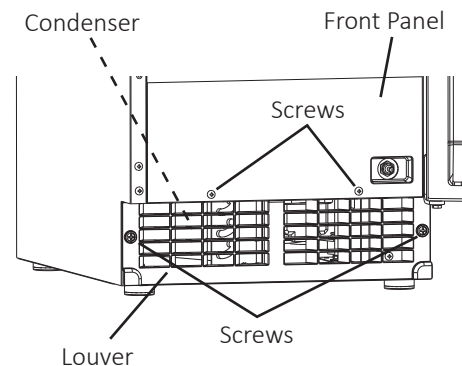


Fig. 40

PREPARING THE APPLIANCE FOR PERIODS OF NON-USE
PREPARING THE APPLIANCE FOR PERIODS OF NON-USE

During extended periods of non-use, extended absences, or in sub-freezing temperatures, follow the instructions below. When the appliance is not used for two or three days under normal conditions, it is sufficient to move the control switch to the “OFF” position.

▲ DANGER Only qualified service technicians should service the appliance.

WARNING During extended periods of non-use, extended absences, or in sub-freezing temperatures, follow the instructions below to reduce the risk of costly water damage.

1) Move the control switch to the “OFF” position.

▲ DANGER To reduce the risk of electric shock, do not touch the control switch or plug with damp hands.

2) Close the water supply line shut-off valve, then open the water supply line drain valve. See Fig. 31.

3) Allow the line to drain by gravity.

4) Move the control switch to the “DRAIN” position.

5) Allow the water system to drain for 1 minute.

6) Attach a compressed air or carbon dioxide supply to the water supply line drain valve.

7) Move the control switch to the “ICE” position.

8) Blow the water supply line out using the compressed air or carbon dioxide supply.

9) Close the water supply line drain valve.

10) Move the control switch to the “OFF” position, then unplug the appliance from the electrical outlet.

11) Remove the screws securing the upper rear panel, then remove it (See Fig. 35).

12) Remove the clamp securing the reservoir outlet hose to the reservoir. Disconnect the reservoir outlet hose from the reservoir.

13) Attach a compressed air or carbon dioxide supply to the reservoir outlet hose.

14) Plug the appliance back in, then move the control switch to the “DRAIN” position.

15) Blow out the reservoir outlet hose using the compressed air or carbon dioxide supply.

16) Move the control switch to the “OFF” position, then unplug the appliance from the electrical outlet.

17) Reconnect the reservoir outlet hose to the reservoir, then secure with the clamp. Make sure all hoses are connected and secure.

18) Replace the rear panel in its correct position.

19) Clean the storage bin by using a neutral cleaner. Rinse thoroughly after cleaning.

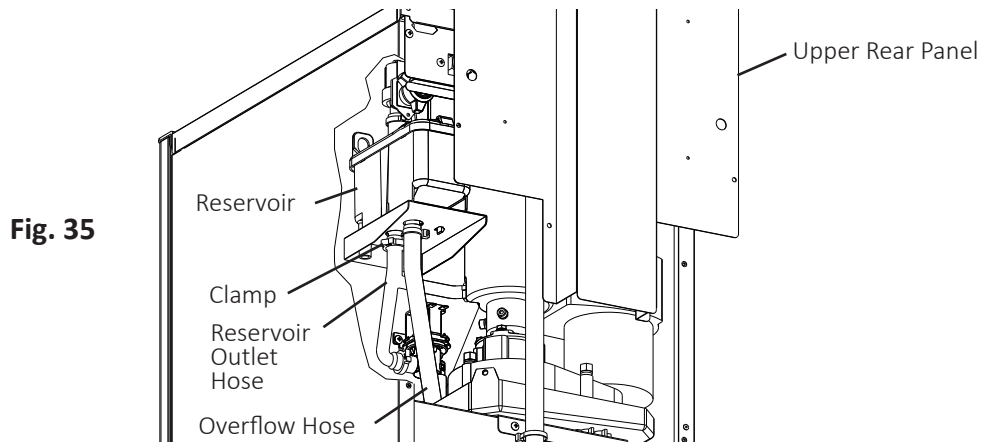


Fig. 35



WARRANTY

ENTIRE PRODUCT

Full One Year Warranty

For one year from the date of original installation, Perlick Corporation's warranty covers all parts and labor to repair or replace any part of the product, which proves to be defective in material and workmanship.

TERMS

The Perlick Warranty applies to products installed in the fifty United States, the District of Columbia or the ten provinces of Canada.

All service provided by Perlick Corporation under the above warranty must be performed by authorized Perlick service representatives, unless otherwise specified by Perlick.

Service will be provided in the home during normal business hours.

This warranty is extended only to the original purchaser of the Perlick product.

The above warranty does not apply if:

- Failure of product was due to transportation
- Product was: improperly installed, misused, abused, operating with low voltage, wiring not conforming electrical codes, improperly maintained or modified.
- The original Bill of Sale, delivery date or serial number cannot be verified.
- Defective parts are not returned for inspection if so required by the Perlick Corporation.

To receive parts and or service and the name of the nearest Perlick authorized service representative, contact your Perlick dealer, distributor or Perlick Corporation's Technical Service Department; 8300 West Good Hope Road, Milwaukee, Wisconsin 53223; call 800-558-5592, E-mail us at warranty@perlick.com, or visit our web: perlick.com

This limited warranty is in lieu of any other warranty, expressed or implied, including, but not limited to any implied warranty of merchantability or fitness for a particular purpose; provided however, that to the extent required by law, implied warranties are included but do not extend beyond the duration of the express warranty first set above. Perlick's sole liability and your exclusive remedy under this warranty are set forth in the initial paragraph above. Perlick Corporation shall have no liability whatsoever for any incidental, consequential or special damages arising from the sale, use or installation of the product or from any other causes whatsoever, whether based on warranty (expressed or implied) or otherwise based on contract, tort or any other theory of liability.

Some states do not allow limitations on how long an implied warranty lasts or the exclusion or limitation of incidental or consequential damages, so the above limitations may not apply to you. This warranty gives you specific legal rights, and you may also have other rights, which vary, from state to state.



© 2022 Perlick Corporation

8300 West Good Hope Road, Milwaukee, WI 53223, USA
perlick.com/residential-design-solutions • (800) 558-5592

FORM NO. Z2517
REV. 10/14/22