

H 2880 BP  
30 Inch Convection Oven  
in a perfectly combinable design with Self Clean.



- 7-segment display with knob – EasyControl
- Minimal cleaning effort – Self-cleaning
- Unlimited possibilities – volume of 4.59 cu. ft. on 6 levels
- Gentle door movement – SoftOpen & SoftClose
- Protects against burns – touch-cool fronts

EAN: 4002516487159 / Material number: 11805330 / Old Material Number: 22288045USA

<b>Construction type and design</b>	
Built-in wall oven	•
PureLine	•
Appliance color	Clean Touch Steel
<b>Convenience features</b>	
Rapid PreHeat	•
<b>Operating modes</b>	
Broiling operating modes	•
Maxi Broil	•
Surround	•
Bake	•
Convection Roast	•
<b>Control panel</b>	
Individual settings	•
<b>User convenience</b>	
Control panel	EasyControl
SoftOpen	•
SoftClose	•
Timers	•
Time of day display	•
Minute minder	•
Programming end of cooking duration	•
Programmable cooking time	•
<b>Cleaning convenience</b>	
Clean Touch Steel surface	•
Self-cleaning	•
Catalyzer	•
CleanGlass door	•
<b>Safety</b>	
Appliance cooling system and cool touch front	•
System lock	•
Door lock during self cleaning	•
<b>Technical data</b>	
Cavity volume in cu.ft (l)	4.59 (130)
No. of rack levels	6
Number of shelf levels oven compartment 1	6
Number of shelf levels oven compartment 2	6
Labeling of rack levels	•
Oven interior lighting	2 halogen spots
TwinPower hot air fans	•
Temperatures in °F (°C)	85-575 (30-300)
Niche width min. in inches (mm)	28 5/8 (724)
Niche width max. in inches (mm)	28 5/8 (724)
Niche height min. in inches (mm)	28 3/8 (718)
Niche height max. in inches (mm)	28 3/8 (718)
Niche depth in in. (mm)	24 1/8 (610)
Appliance width in in. (mm)	29 7/8 (757)
Appliance height in in. (mm)	28 5/8 (727)
Appliance depth in in. (mm)	24 3/4 (626)
Weight in lbs. (kg)	185 (83.7)

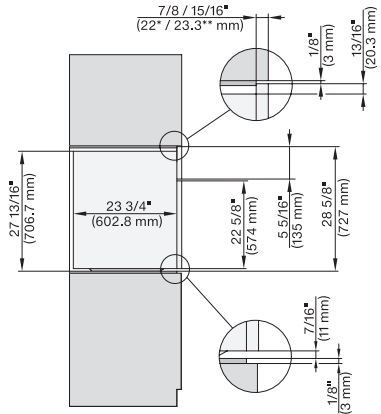
H 2880 BP  
 30 Inch Convection Oven  
 in a perfectly combinable design with Self Clean.



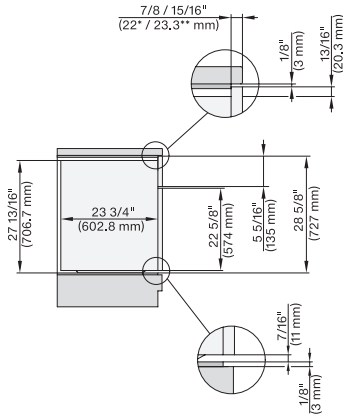
EAN: 4002516487159 / Material number: 11805330 / Old Material Number: 22288045USA

Weight in lbs. (kg)	184.53 (83.7)
Weight in lbs. (kg)	185 (83.7)
Total connected load in kW	6.50
Power Rating in V	120
Voltage in V	240/208
Frequency in Hz	60
Number of phases	1
Fuse rating in A	30
Connection wire with plug	•
Length of power cord in in. (m)	1.80
<b>Accessories supplied</b>	
PerfectClean universal baking tray	1
Baking and roasting rack	1
Removable side racks (pair)	1

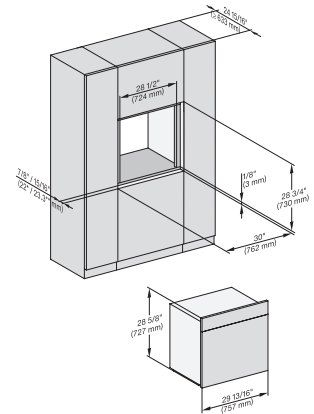
## H 2880 BP 30 Inch Convection Oven in a perfectly combinable design with Self Clean.



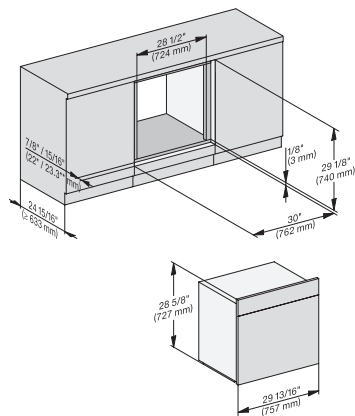
H 6x8x BP, H 6x80-2BP, H 7xxx, H 2x80 side view, installation drawing, Flush inset, NA  
7/8" - 22" mm - Glas, 15/16" - 23.3\*\* mm - Edelstahl



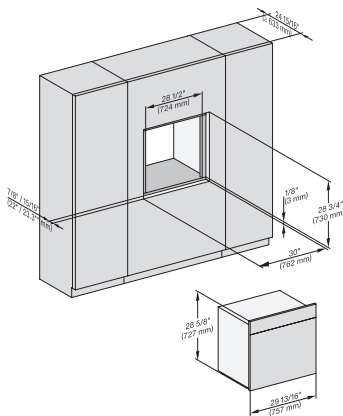
H 6x8x BP, H 6x80-2BP, H 7xxx, H2x80 side view built-under, installation drawing, Flush inset, NA  
7/8" - 22" mm - Glas, 15/16" - 23.3\*\* mm - Edelstahl



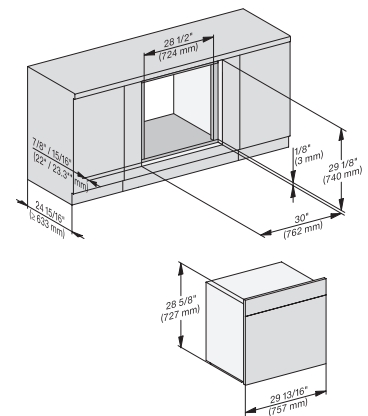
H 6x8x BP, H 6x80-2BP, DGC7xxx, H2xxx, H 7xxx fitting, installation drawing, Flush inset, NA  
7/8" - 22" mm - Glas, 15/16" - 23.3\*\* mm - Edelstahl



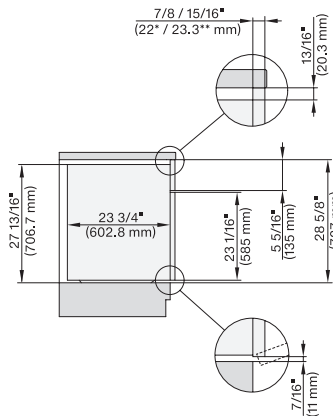
H 6x8x BP, H 6x80-2BP, H 2xxx, H7xxx fitting built-under, installation drawing, Flush inset, NA  
7/8" - 22" mm - Glas, 15/16" - 23.3\*\* mm - Edelstahl



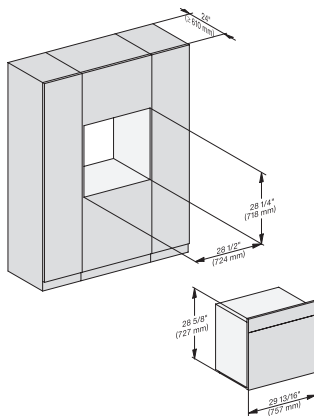
H 6x8x BP, H 6x80-2BP, DGC 7xxx, H 7xxx fitting wide front, installation drawing, Flush inset, NA  
7/8" - 22" mm - Glas, 15/16" - 23.3\*\* mm - Edelstahl



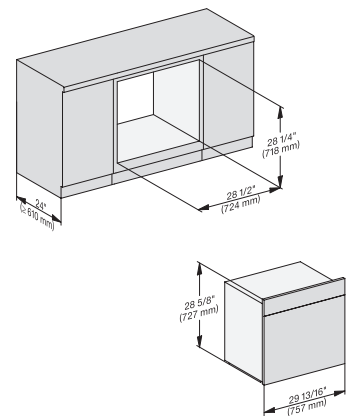
H 6x8x BP, H 6x80-2BP, H7xxx, H 2x80 fitting wide front built-under, installation drawing, Flush inset, NA  
7/8" - 22" mm - Glas, 15/16" - 23.3\*\* mm - Edelstahl



H 6x8x BP, H 6x80-2BP, H2x80BP, H7x8x BP(X), side view built-under, installation drawing, Proud, NA  
7/8" - 22" mm - Glas, 15/16" - 23.3\*\* mm - Edelstahl

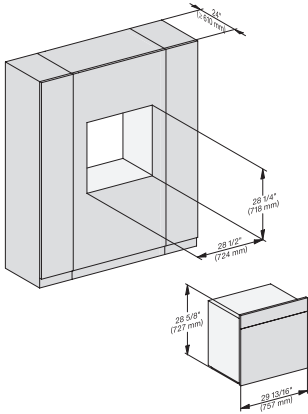


H6x8xBP, H6x80-2BP, H2x80BP, H7x8xBP(X), fitting, installation drawing, Proud, NA  
7/8" - 22" mm - Glas, 15/16" - 23.3\*\* mm - Edelstahl

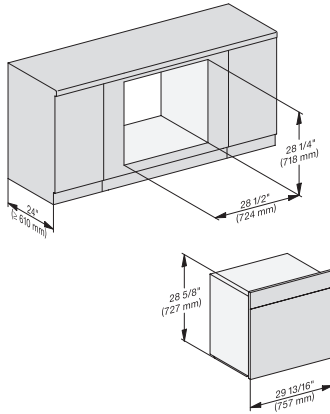


H 6x8x BP, H 6x80-2BP, H2x80BP, H7x8xBP(X), fitting built-under, installation drawing, Proud, NA  
7/8" - 22" mm - Glas, 15/16" - 23.3\*\* mm - Edelstahl

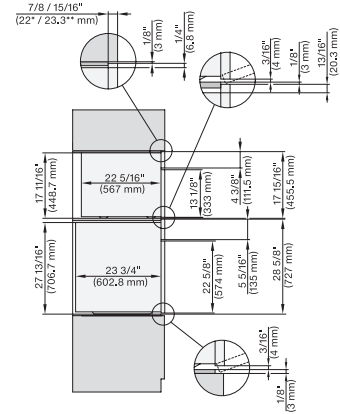
## H 2880 BP 30 Inch Convection Oven in a perfectly combinable design with Self Clean.



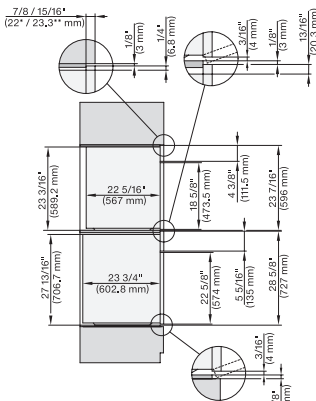
H6x8xBP, H6x80-2BP, H2x80BP, H7x8xBP(X), fitting wide front, installation drawing, Proud, NA  
7/8" - 22" mm - Glas, 15/16" - 23.3\*\* mm - Edelstahl



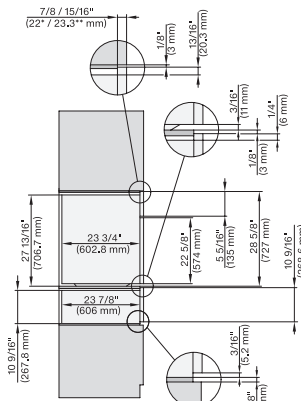
H 6x8x BP, H 6x80-2BP, H2x80BP, H7x8xBP(X), fitting wide front built-under, installation drawing, Proud, NA  
7/8" - 22" mm - Glas, 15/16" - 23.3\*\* mm - Edelstahl



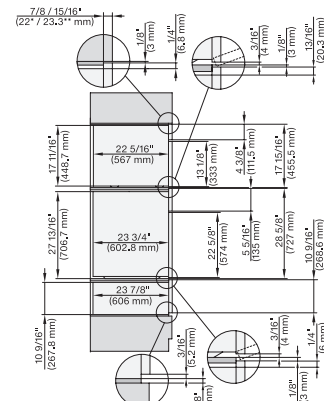
DGC 6x00-1 + EBA 6808, H 6x80 BP, H 6x80-2BP, DGC 7x4x, EBA7848, H2x80, H7xxx Combi, Install. drawing, Flush inset, NA  
7/8" - 22" mm - Glas, 15/16" - 23.3\*\* mm - Edelstahl



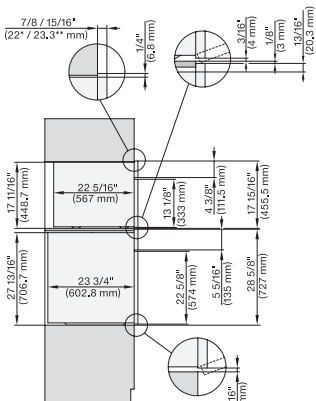
DGC 6x6x (AM), H 6x80 BP, H6x80-2BP, DGC786x, EBA7868, H7xxx, H2xxx Combi, Installation drawing, Flush inset, NA  
7/8" - 22" mm - Glas, 15/16" - 23.3\*\* mm - Edelstahl



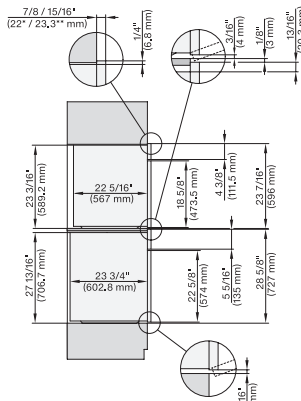
H 6x80 BP, ESW 6x80, H 6x80-2BP, H2x80, H7x80m ESW7x80 Combi, Installation drawing, Flush inset, NA  
7/8" - 22" mm - Glas, 15/16" - 23.3\*\* mm - Edelstahl



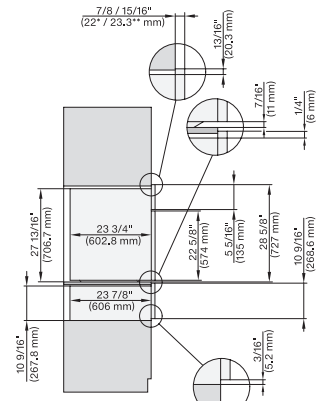
DGC 6x00+EBA 6808, H 6x80, H6x80, ESW 6x80, DGC7xxx, EBA7848, H2xxx, H7xxx, ESW7x80 Combi, Install draw, Flush inset, NA  
7/8" - 22" mm - Glas, 15/16" - 23.3\*\* mm - Edelstahl



DGC 6x00-1 + EBA 6808, H 6x80BP, H6x80-2BP, DGC7x4x+EBA7848, H2x80BP, H7x80BP(X), Combi, Installation drawing, Proud, NA  
7/8" - 22" mm - Glas, 15/16" - 23.3\*\* mm - Edelstahl



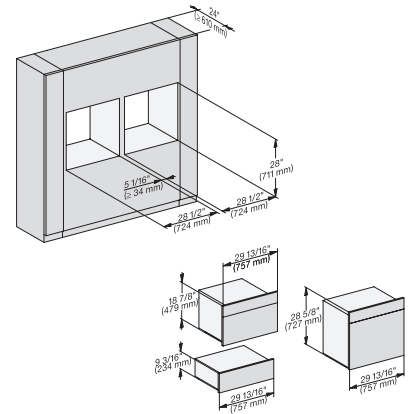
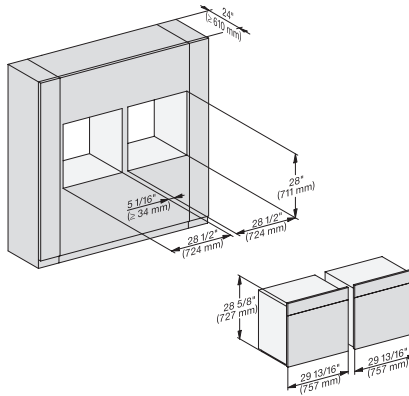
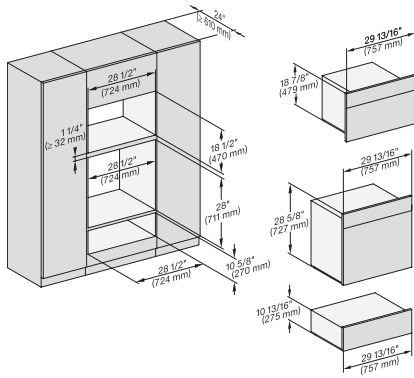
DGC 6x6x (AM), H 6x80 BP, H6x80-2BP, DGC786x+EBA7868, H2x80BP, H80BP(X), Combi, Installation drawing, Proud, NA  
7/8" - 22" mm - Glas, 15/16" - 23.3\*\* mm - Edelstahl



H 6x80 BP, ESW 6x80, H 6x80-2BP, H2x80BP, H7x80BP(X), ESW7x80, Combi, Installation drawing, Proud, NA  
7/8" - 22" mm - Glas, 15/16" - 23.3\*\* mm - Edelstahl



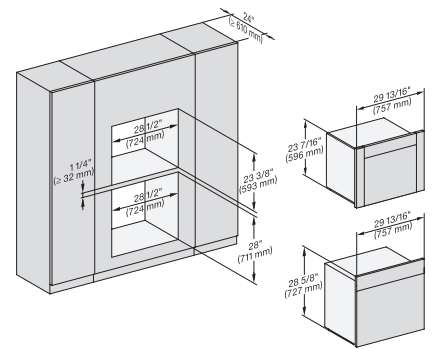
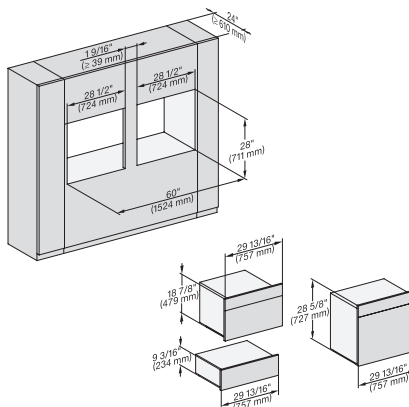
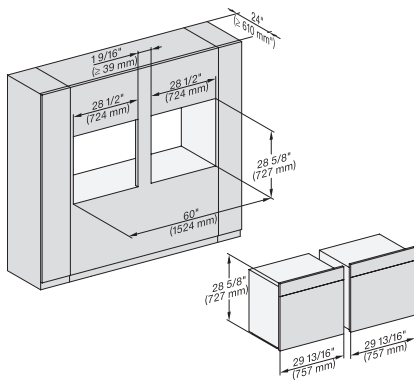
## H 2880 BP 30 Inch Convection Oven in a perfectly combinable design with Self Clean.



H 6x80 BP, H 6x70 BM, ESW 6x80, H 6x80-2BP,  
NA7000 Fitting Combi, Installation drawing, Proud, NA  
<https://miele-mms.de.miele.net/mms/admin/forward.php#>

H 6x80 BP, H 6x80-2BP, NA7000, Fitting Combi side by  
side, Installation drawing, Proud, NA

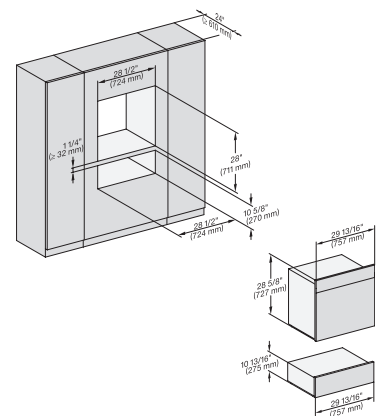
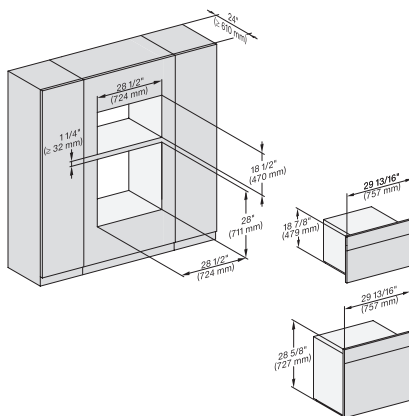
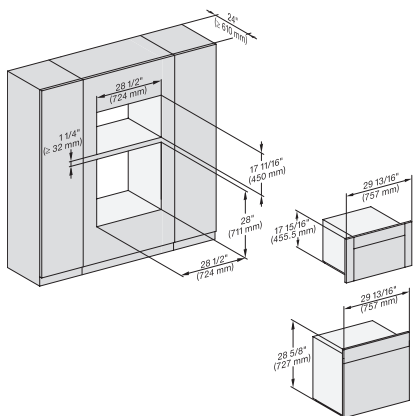
H 6x80 BP, H 6x70 BM, ESW 6x85, H 6x80-2BP,  
NA7000, Fitting Combi side by side, Installation drawing,  
Proud, NA



H 6x80 BP, H 6x80-2BP, NA7000 Fitting Combi side by  
side without wall, Installation drawing, Proud, NA

H6x80BP, H6x70BM, ESW6x85, H6x80-2BP, NA7000,  
Fitting Combi side by side without wall, Installation drawing,  
Proud, NA

DGC 6x6x (AM) + EBA 6808, H 6x80 BP, H 6x80-2BP,  
NA7000, Fitting Combi wide front, Installation drawing,  
Proud, NA

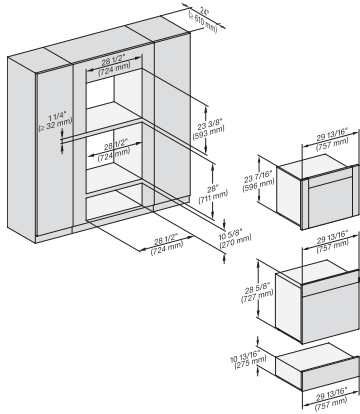


H6x80BP, (H6x00BM, DGC6x00-1) + EBA6808,  
H6x80-2BP, NA7000, Fitting Combi wide front, Installation  
drawing, Proud

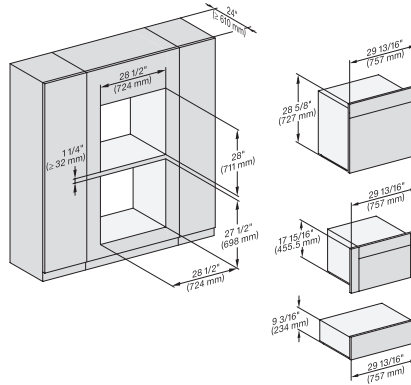
H6x80BP, H 6x70 BM, H 6x80-2BP, NA7000 Fitting  
Combi wide front, Installation drawing, Proud, NA

H 6x80 BP, ESW 6x80, H 6x80-2BP, NA7000 Fitting  
Combi wide front, Installation drawing, Proud, NA

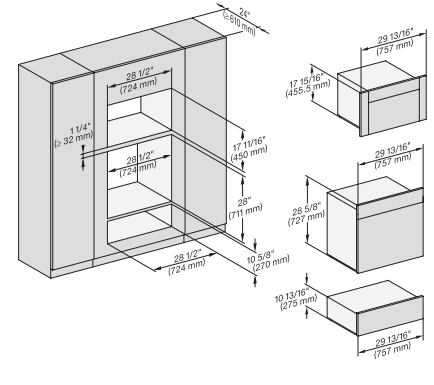
## H 2880 BP 30 Inch Convection Oven in a perfectly combinable design with Self Clean.



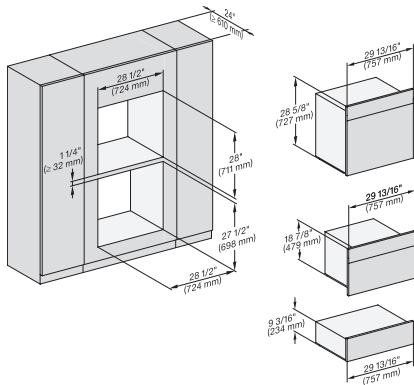
DGC 6x6x (AM) + EBA 6808, H 6x80 BP, ESW 6x80, H 6x80-2BP, NA7000 Fitting Combi wide front, Installation drawing, Proud



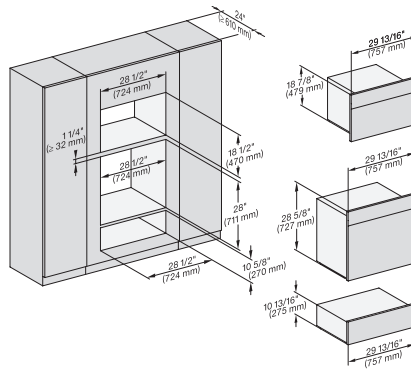
H 6x80 BP, H 6x00 BM + EBA 6808, ESW 6x85, DGC6x00 + EBA6808, H6x80-2BP, NA7000, Fitting Combi w. front, drawing, Proud



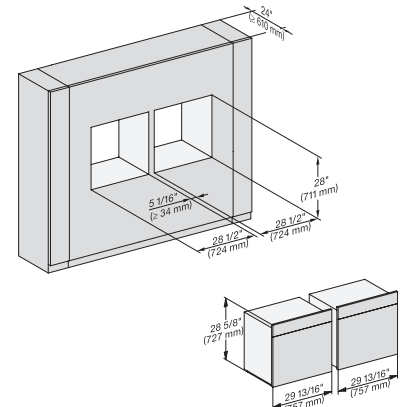
H6x80BP, H6x00BM + EBA6808, ESW6x80, DGC6x00 + EBA 6808, H 6x80-2BP, NA7000 Fitting Combi w. front, drawing, Proud, NA



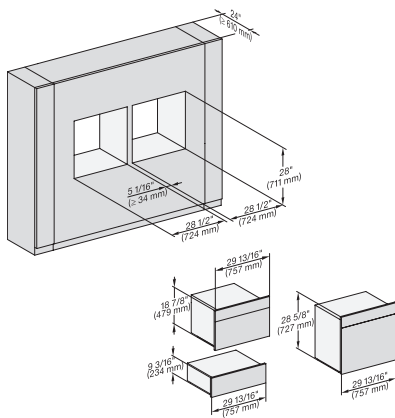
H 6x80 BP, H 6x70 BM, ESW 6x85, H 6x80-2BP, NA7000 Fitting Combi wide front, Installation drawing, Proud, NA



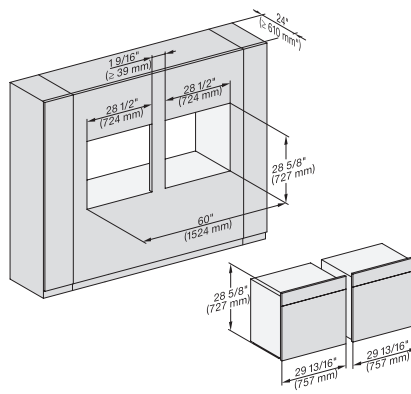
H 6x80 BP, H 6x70 BM, ESW 6x80, H 6x80-2BP, NA7000, Fitting Combi wide front, Installation drawing, Proud, NA



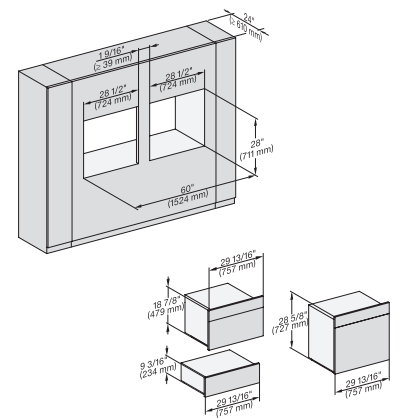
H 6x80 BP, H 6x80-2BP, H2x80BP, H7x80BP(X), Fitting Combi wide front side by side, Installation drawing, Proud, NA



H 6x80 BP, H 6x70 BM, ESW 6x85, H 6x80-2BP, NA7000 Fitting Combi wide front side by side, Installation drawing, Proud

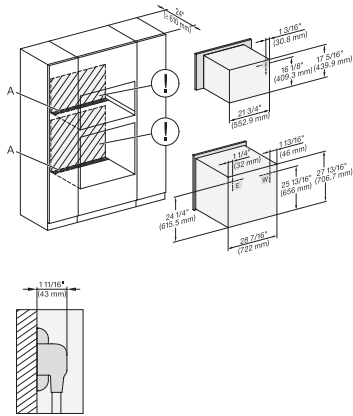


H 6x80 BP, H 6x80-2BP, NA7000 Fitting Combi wide front side by side without wall, Installation drawing, Proud, NA



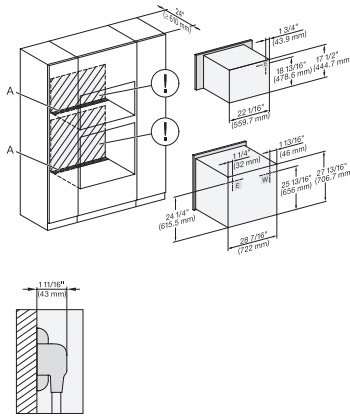
H 6x80 BP, H 6x70 BM, ESW 6x85, H 6x80-2BP, NA7000 Fitting Combi w. front side by side without wall, drawing, Proud, NA

## H 2880 BP 30 Inch Convection Oven in a perfectly combinable design with Self Clean.



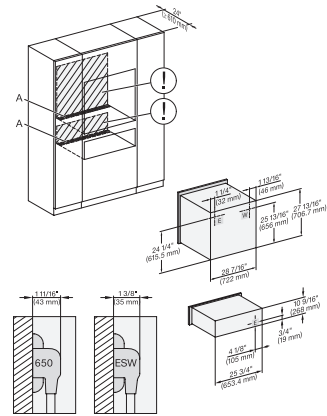
H6x80(-2)BP, H6x00BM + EBA6808, H7x40BM, H2880BP, H7x80BP(X), Installation Combi, Installation drawing, Proud, NA

A – Cut-out (4" x 28" / 100 mm x 720 mm) in the bottom of the cabinet for power cord and ventilation. – Electrical and water supplies are recommended to be placed in adjacent cabinetry. Additional cabinet depth is required when placing the electrical and water supplies behind the appliance. E = Electric connection



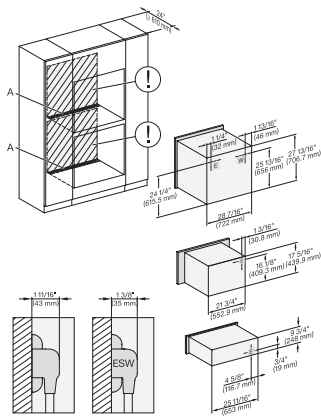
H 6x80 BP, H 6x70 BM, H 6x80-2BP, Hx70BM, H2x80BP(X), H7x80BP(X), Installation Combi, Installation drawing, Proud, NA

A – Cut-out (4" x 28" / 100 mm x 720 mm) in the bottom of the cabinet for power cord and ventilation. – Electrical and water supplies are recommended to be placed in adjacent cabinetry. Additional cabinet depth is required when placing the electrical and water supplies behind the appliance. E = Electric connection



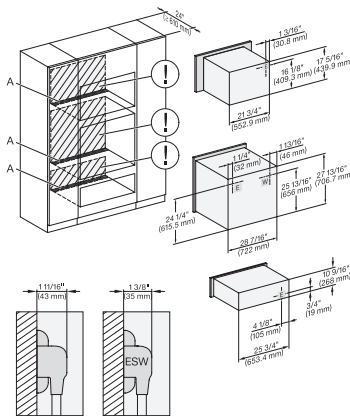
H 6x80 BP, ESW 6x80, H 6x80-2BP, H2x80BP, H7x80BP, ESW7x80, Installation Combi, Installation drawing, Proud, NA

A – Cut-out (4" x 28" / 100 mm x 720 mm) in the bottom of the cabinet for power cord and ventilation. – Electrical and water supplies are recommended to be placed in adjacent cabinetry. Additional cabinet depth is required when placing the electrical and water supplies behind the appliance. E = Electric connection



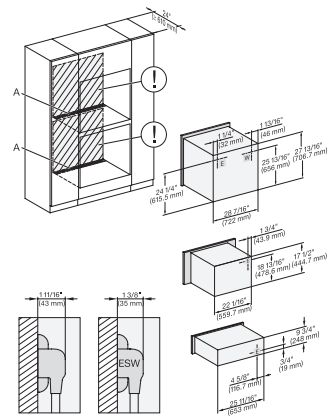
H 6x80 BP, H 6x00 BM + EBA 6808, ESW 6x85, H 6x80-2BP, NA7000 Installation Combi, Installation drawing, Proud, NA

A – Cut-out (4" x 28" / 100 mm x 720 mm) in the bottom of the cabinet for power cord and ventilation. – Electrical and water supplies are recommended to be placed in adjacent cabinetry. Additional cabinet depth is required when placing the electrical and water supplies behind the appliance. E = Electric connection



H 6x80 BP, H 6x00 BM + EBA 6808, ESW 6x80, H 6x80-2BP, NA7000 Installation Combi, Installation drawing, Proud, NA

A – Cut-out (4" x 28" / 100 mm x 720 mm) in the bottom of the cabinet for power cord and ventilation. – Electrical and water supplies are recommended to be placed in adjacent cabinetry. Additional cabinet depth is required when placing the electrical and water supplies behind the appliance. E = Electric connection

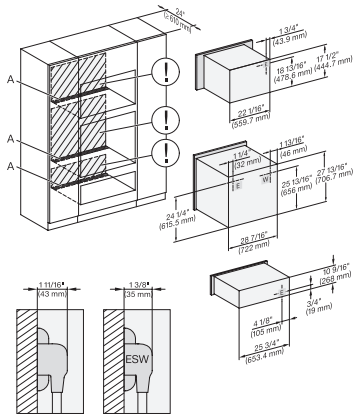


H 6x80 BP, H 6x70 BM, ESW 6x85, H 6x80-2BP, NA7000 Installation Combi, Installation drawing, Proud, NA

A – Cut-out (4" x 28" / 100 mm x 720 mm) in the bottom of the cabinet for power cord and ventilation. – Electrical and water supplies are recommended to be placed in adjacent cabinetry. Additional cabinet depth is required when placing the electrical and water supplies behind the appliance. E = Electric connection

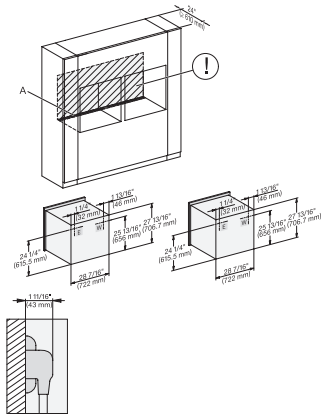


## H 2880 BP 30 Inch Convection Oven in a perfectly combinable design with Self Clean.



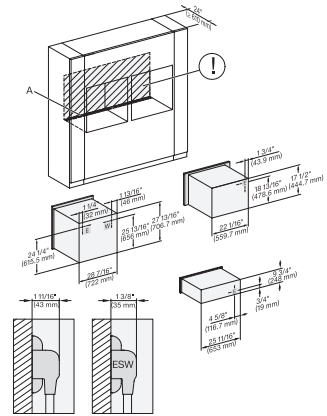
H 6x80 BP, H 6x70 BM, ESW 6x80, H 6x80-2BP, NA7000, Installation Combi, Installation drawing, Proud, NA

A – Cut-out (4" x 28" / 100 mm x 720 mm) in the bottom of the cabinet for power cord and ventilation. – Electrical and water supplies are recommended to be placed in adjacent cabinetry., Additional cabinet depth is required when placing the electrical and water supplies behind the appliance., E = Electric connection



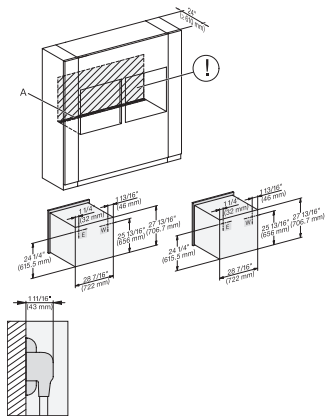
H 6x80 BP, H 6x80-2BP, H2x80BP, H7x80BP, Installation Combi, side by side, Installation drawing, Proud, NA

A – Cut-out (4" x 28" / 100 mm x 720 mm) in the bottom of the cabinet for power cord and ventilation. – Electrical and water supplies are recommended to be placed in adjacent cabinetry., Additional cabinet depth is required when placing the electrical and water supplies behind the appliance., E = Electric connection



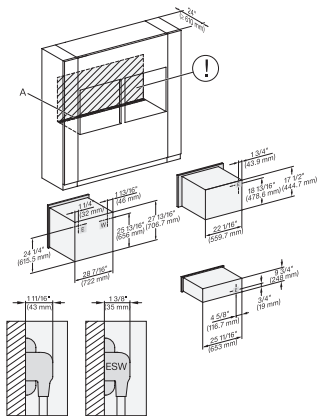
H6x80(-2)BP, H6x70BM, ESW6x85, H2x80BP, H7x80BP, ESW7x70, EVS7670, Installation Combi side by side, Installation drawing

A – Cut-out (4" x 28" / 100 mm x 720 mm) in the bottom of the cabinet for power cord and ventilation. – Electrical and water supplies are recommended to be placed in adjacent cabinetry., Additional cabinet depth is required when placing the electrical and water supplies behind the appliance., E = Electric connection



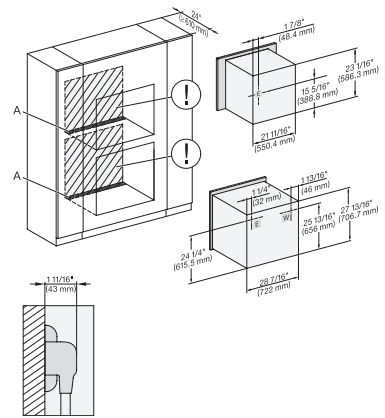
H 6x80 BP, H 6x80-2BP, H2x80BP, H7x80BP(X), Installation Combi side by side without wall, Installation drawing, Proud, NA

A – Cut-out (4" x 28" / 100 mm x 720 mm) in the bottom of the cabinet for power cord and ventilation. – Electrical and water supplies are recommended to be placed in adjacent cabinetry., Additional cabinet depth is required when placing the electrical and water supplies behind the appliance., E = Electric connection



H 6x80 BP, H 6x70 BM, ESW 6x85, H 6x80-2BP, NA7000, Installation Combi side by side without wall, drawing, Proud, NA

A – Cut-out (4" x 28" / 100 mm x 720 mm) in the bottom of the cabinet for power cord and ventilation. – Electrical and water supplies are recommended to be placed in adjacent cabinetry., Additional cabinet depth is required when placing the electrical and water supplies behind the appliance., E = Electric connection

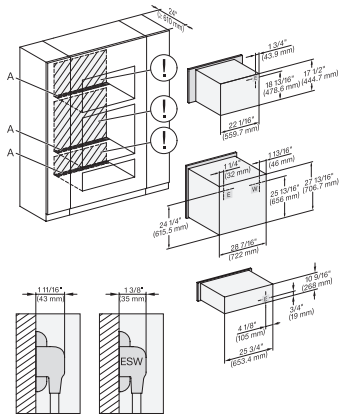


DGC 6x6x(AM) + EBA 6808, H 6x80 BP, H 6x80-2BP, Installation Combi wide front, Installation drawing, Proud, NA

A – Cut-out (4" x 28" / 100 mm x 720 mm) in the bottom of the cabinet for power cord and ventilation. – Electrical and water supplies are recommended to be placed in adjacent cabinetry., Additional cabinet depth is required when placing the electrical and water supplies behind the appliance., E = Electric connection

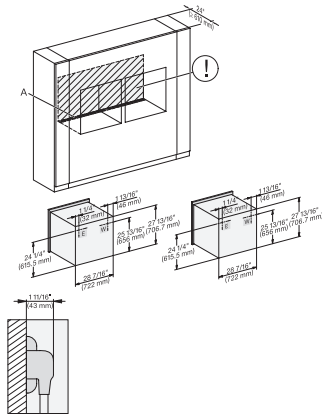


## H 2880 BP 30 Inch Convection Oven in a perfectly combinable design with Self Clean.



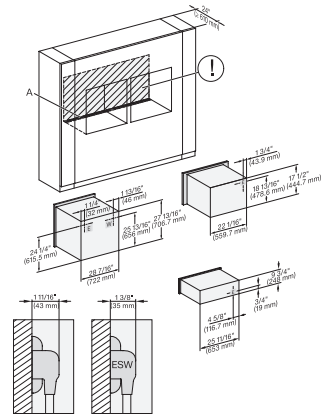
H 6x80 BP, H 6x70 BM, ESW 6x80, H 6x80-2BP, NA7000, Installation Combi wide front, Installation drawing, Proud, NA

A – Cut-out (4" x 28" / 100 mm x 720 mm) in the bottom of the cabinet for power cord and ventilation. – Electrical and water supplies are recommended to be placed in adjacent cabinetry. Additional cabinet depth is required when placing the electrical and water supplies behind the appliance. E = Electric connection



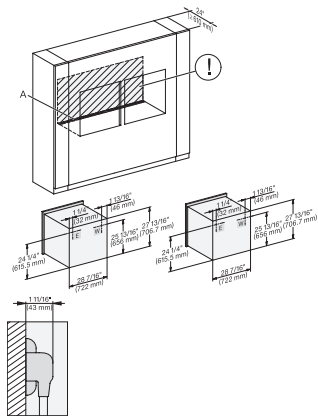
H 6x80 BP, H 6x80-2BP, H2x80BP, H7x80BP, Installation Combi wide front side by side, Installation drawing, Proud, NA

A – Cut-out (4" x 28" / 100 mm x 720 mm) in the bottom of the cabinet for power cord and ventilation. – Electrical and water supplies are recommended to be placed in adjacent cabinetry. Additional cabinet depth is required when placing the electrical and water supplies behind the appliance. E = Electric connection



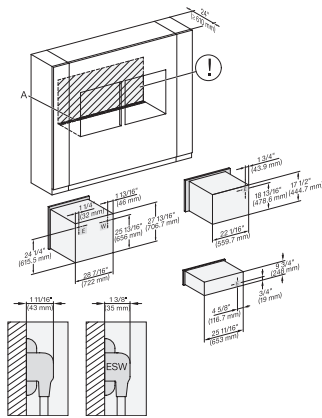
H6x80(2)BP, H6x70BM, ESW6x85, H2x80BP, H7x80BP, Installation Combi wide front side by side, Installation drawing, Proud

A – Cut-out (4" x 28" / 100 mm x 720 mm) in the bottom of the cabinet for power cord and ventilation. – Electrical and water supplies are recommended to be placed in adjacent cabinetry. Additional cabinet depth is required when placing the electrical and water supplies behind the appliance. E = Electric connection



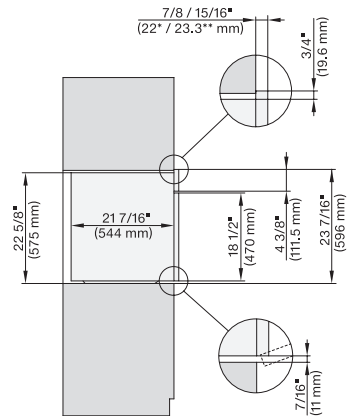
H6x80BP, H6x80-2BP, H2x80BP, H7x80BP, Installation Combi wide front side by side without wall, Installation drawing

A – Cut-out (4" x 28" / 100 mm x 720 mm) in the bottom of the cabinet for power cord and ventilation. – Electrical and water supplies are recommended to be placed in adjacent cabinetry. Additional cabinet depth is required when placing the electrical and water supplies behind the appliance. E = Electric connection



H6x80 BP, H6x70BM, ESW6x85, H6x80-2BP, NA7000, Installation Combi w. front side by side without wall, drawing, Proud, NA

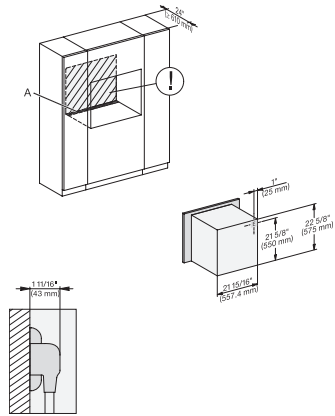
A – Cut-out (4" x 28" / 100 mm x 720 mm) in the bottom of the cabinet for power cord and ventilation. – Electrical and water supplies are recommended to be placed in adjacent cabinetry. Additional cabinet depth is required when placing the electrical and water supplies behind the appliance. E = Electric connection



H2x80BP, side view, 30 Zoll, Proud, Discovery

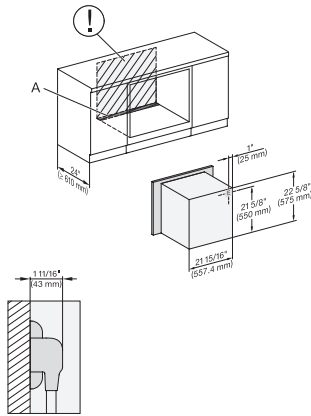
7/8" – 22 mm – Glass, 15/16" – 23.3 mm – Stainless steel

## H 2880 BP 30 Inch Convection Oven in a perfectly combinable design with Self Clean.



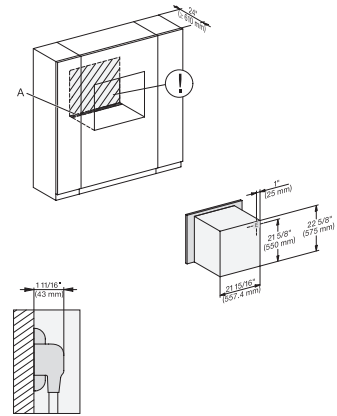
H2x80BP, Installation, 30 Zoll, Proud, Discovery

A – Cut-out (4" x 28" / 100 mm x 720 mm) in the bottom of the cabinet for power cord and ventilation. – Electrical and water supplies are recommended to be placed in adjacent cabinetry. Additional cabinet depth is required when placing the electrical and water supplies behind the appliance. E = Electric connection



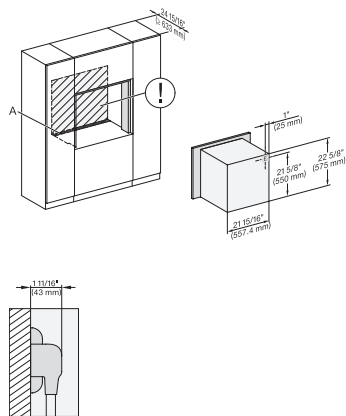
H2x80BP, Installation, 30 Zoll, Proud, built-under, Discovery

A – Cut-out (4" x 28" / 100 mm x 720 mm) in the bottom of the cabinet for power cord and ventilation. – Electrical and water supplies are recommended to be placed in adjacent cabinetry. Additional cabinet depth is required when placing the electrical and water supplies behind the appliance. E = Electric connection



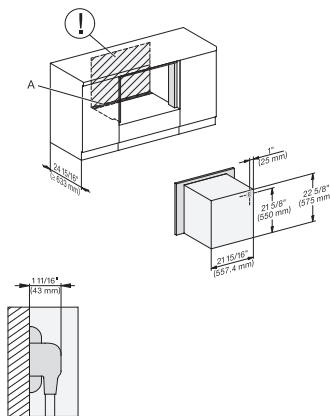
H2x80BP, Installation, 30 Zoll, Proud, wide front, Discovery

A – Cut-out (4" x 28" / 100 mm x 720 mm) in the bottom of the cabinet for power cord and ventilation. – Electrical and water supplies are recommended to be placed in adjacent cabinetry. Additional cabinet depth is required when placing the electrical and water supplies behind the appliance. E = Electric connection



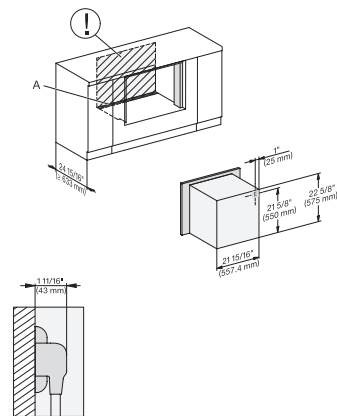
H2x80BP, Installation, 30 Zoll, Flush inset, Discovery

A – Cut-out (4" x 28" / 100 mm x 720 mm) in the bottom of the cabinet for power cord and ventilation. – Electrical and water supplies are recommended to be placed in adjacent cabinetry. Additional cabinet depth is required when placing the electrical and water supplies behind the appliance. E = Electric connection



H2x80BP, Installation, 30 Zoll, Flush inset, built-under, Discovery

A – Cut-out (4" x 28" / 100 mm x 720 mm) in the bottom of the cabinet for power cord and ventilation. – Electrical and water supplies are recommended to be placed in adjacent cabinetry. Additional cabinet depth is required when placing the electrical and water supplies behind the appliance. E = Electric connection



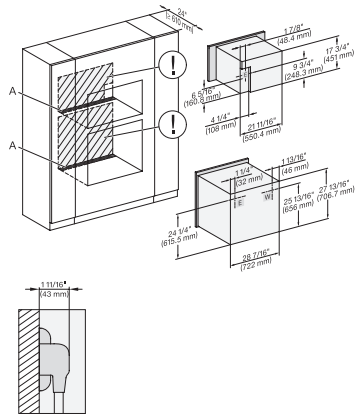
H2x80BP, Installation, 30 Zoll, Flush inset, built-under, wide front, Discovery

A – Cut-out (4" x 28" / 100 mm x 720 mm) in the bottom of the cabinet for power cord and ventilation. – Electrical and water supplies are recommended to be placed in adjacent cabinetry. Additional cabinet depth is required when placing the electrical and water supplies behind the appliance. E = Electric connection



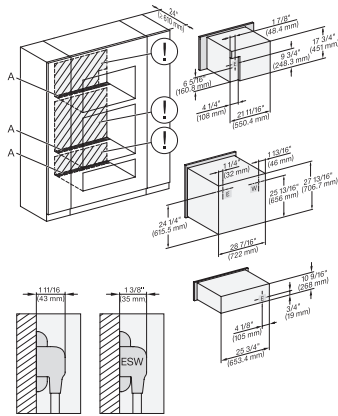


## H 2880 BP 30 Inch Convection Oven in a perfectly combinable design with Self Clean.



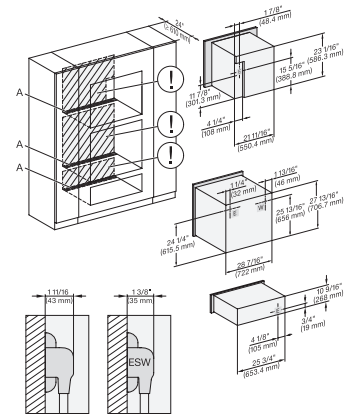
DGC7x4x+EBA7848, H2880BP, H7280BPX, Installation, 30 Zoll, Proud, combi, wide front, XL, 650

A – Cut-out (4" x 28" / 100 mm x 720 mm) in the bottom of the cabinet for power cord and ventilation. – Electrical and water supplies are recommended to be placed in adjacent cabinetry. Additional cabinet depth is required when placing the electrical and water supplies behind the appliance. E = Electric connection



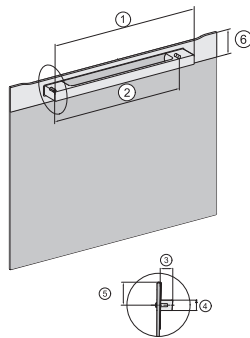
DGC7x4x+EBA7848, H2880BP, H7x8xBP, ESW7x80, Installation, 30 Zoll, Proud, combi, wide front, XL, 650

A – Cut-out (4" x 28" / 100 mm x 720 mm) in the bottom of the cabinet for power cord and ventilation. – Electrical and water supplies are recommended to be placed in adjacent cabinetry. Additional cabinet depth is required when placing the electrical and water supplies behind the appliance. E = Electric connection



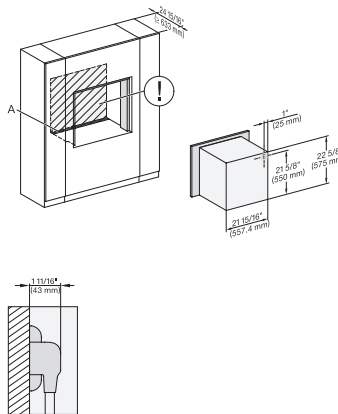
DGC786x+EBA7868, H7x80BP(X), ESW7x80, Installation, 30 Zoll, Proud, combi, wide front, XXI, 650

A – Cut-out (4" x 28" / 100 mm x 720 mm) in the bottom of the cabinet for power cord and ventilation. – Electrical and water supplies are recommended to be placed in adjacent cabinetry. Additional cabinet depth is required when placing the electrical and water supplies behind the appliance. E = Electric connection



Handle H72xx, H76xx, H78xx, PureLine – NA7000 - Installation drawing

H2880BP, H7270BM, H7670BM, H7870BM, H7280BP, H7680BP, H7880BP, H7880BP2; 19 11/16" / 500 mm, 17 1/2" / 444 mm, 1 7/8" / 47 mm, 15/16" / 24 mm, 1 1/4" / 32,5 mm, 2 9/16" / 65 mm, H7240BM, H7640BM, H7840BM, H7263BP, H7660BP; 15 3/4" / 400 mm, 14 3/16" / 360 mm, 1 7/8" / 47 mm, 15/16" / 24 mm, 1 1/4" / 32,5 mm, 2 9/16" / 65 mm



H2780BP, H2880BP, inset, 30 Zoll, Flush – NA

A – Cut-out (4" x 28" / 100 mm x 720 mm) in the bottom of the cabinet for power cord and ventilation. ! – Electrical and water supplies are recommended to be placed in adjacent cabinetry. Additional cabinet depth is required when placing the electrical and water supplies behind the appliance. E = Electric connection