

GRF400PV

GE® 400 Series 30" Free-Standing Electric Range

Dimensions and Installation Information (in Inches)

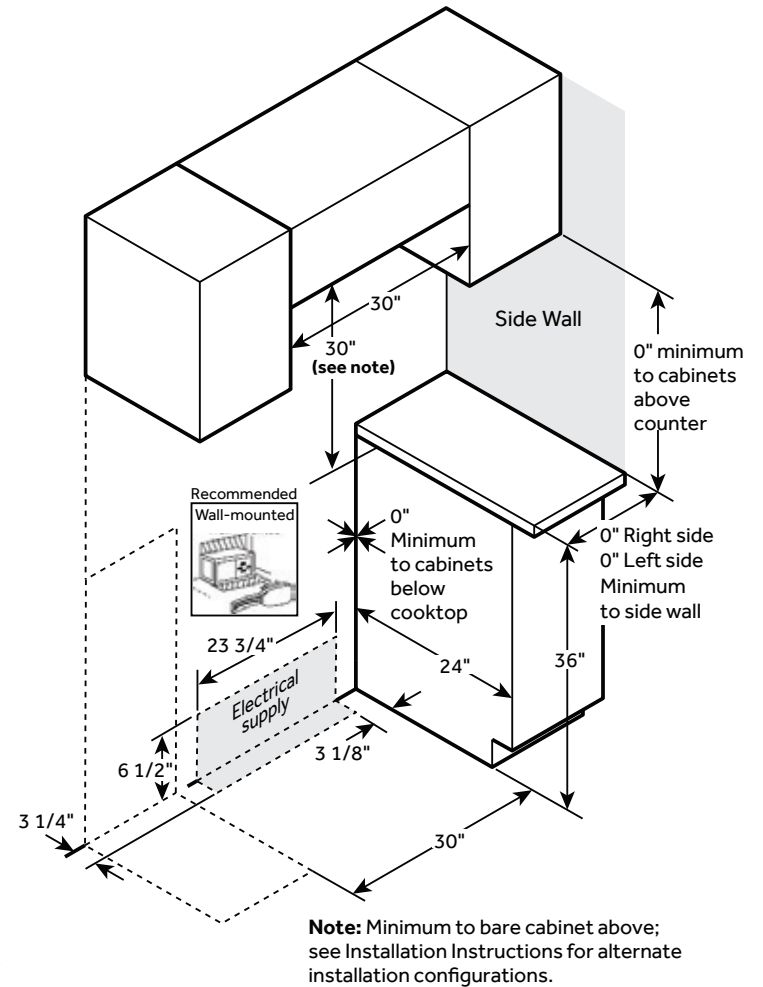
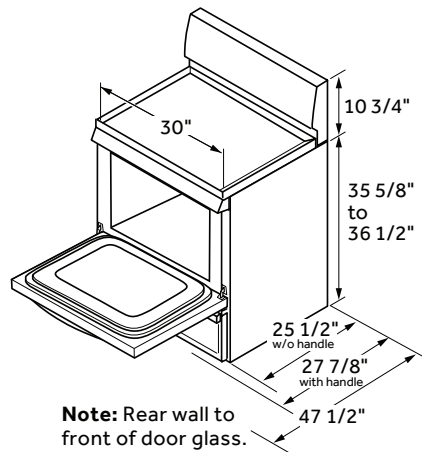
Receptacle Locations: Locally approved flexible service cord or conduit must be used because terminals are not accessible after range installation. See shaded area in drawing for location of electrical outlet box. Recommended outlet locations allow range to be installed directly against wall.

Note: This appliance has been approved for 0" spacing to adjacent surfaces above the cooktop. However, a 6" minimum spacing to surfaces less than 15" above the cooktop and adjacent cabinet is recommended to reduce exposure to steam, grease splatter and heat.

Installation Information: Before installing, consult installation instructions for current dimensional data and additional requirements.

KW Rating	
240V	10.4
208V	7.8
Breaker Size	
40 AMPS†	

†Note: Check local codes for required breaker size.



For answers to your Monogram, Café™, GE Profile™ or GE Appliances product questions, visit our website at geappliances.com or call GE Answer Center® Service, 800.626.2000.



All GE Appliances ranges are equipped with an Anti-Tip device. The installation of this device is an important, required step in the installation of the range.



Listed by Underwriters Laboratories

Specification Revised 3/24

GRF400PV

GE® 400 Series 30" Free-Standing Electric Range

Features and Benefits

SmartHQ™ Management – Built-in WiFi and the SmartHQ™ Management app extends the life and value of your appliance with proactive oven maintenance tools allowing for tracking, management and control from one simple, intuitive dashboard.

4-Burner Radiant Cooktop – This expansive 4-burner electric cooktop offers a flexible cooking solution that accommodates any pot or pan and is a great addition to any kitchen space.

9"/6" Power Boil™ Burner – Easily adjust to any size pot or pan with a convertible 6" and 9" element that makes it easy to boil water faster.

Ceramic Glass Cooktop – Wipe away messes with ease on this easy-to-clean cooktop with smooth glass surface.

Self-Clean with Steam Clean – Save time and effort by using the self-cleaning function for deep-clean situations or enjoy frequent cleanings without the need for kits or extra steps thanks to the steam clean oven function.

Oven Storage Drawer – This model features a removable oven storage drawer that offers the perfect place to store cookware and other kitchen accessories.

Dual Element Oven – Produce great results with every bake thanks to upper and lower elements that provide rapid, even heat.

Large Capacity Oven – Cook an entire meal at once with room to spare in this oven with 5.3 cubic foot capacity.

New Easy-to-Use Controls – Updated and improved controls allow for easy navigation of all cooking options and modes.

Nickel Racks – This electric range with nickel racks provides a durable design that handles heavy baking dishes with ease.

Halogen Oven Light – Easily view your delicious dinner creations inside this oven illuminated with a powerful halogen oven light.

Sabbath Mode - This oven with Sabbath Mode gives users the ability to modify or disable certain features and comply with religious restrictions.

Model GRF400PVBB – Black

Model GRF400PVWW – White

Model GRF400PVSS – Stainless Steel



GE APPLIANCES