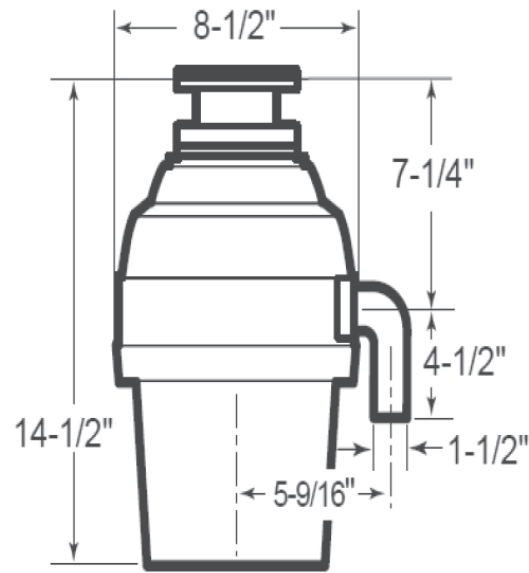


GFC720N

GE® 3/4 Horsepower Continuous-Feed Disposer

Disposall® Food Waste Disposer Dimensions (in inches)



Inlet/Outlet Diameters	
Dishwasher inlet diameter (in.)	1
Drain outlet diameter (in.)	1-1/2

Power/Ratings	
Power Connection	Direct Wire
Volts/Hertz/Amps	120 V/60 Hz/6.0 A

DISPOSALL

For answers to your Monogram, Café™, GE Profile™ or GE Appliances product questions, visit our website at geappliances.com or call GE Answer Center® Service, 800.626.2000.



Specification Revised 6/24

GFC720N

GE® 3/4 Horsepower Continuous-Feed Disposer

Features and Benefits

3/4 Horsepower Motor

Super-Capacity, Continuous-Feed Disposer

Over 2,700 RPM Grinding Action*

Stainless Steel Jam-Resistant, Dual-Swivel Impellers

EZ Mount Installation

Direct Wire Power Connection

Sound Reduction Technology

Cold-Rolled Carbon Steel Armature Shaft Material

SplashGuard

Wall Switch with Sink Stopper

Manual Reset Overload Protector

Dishwasher Drain Connector

Stainless Steel Sink Flange

Stainless Steel Turntable

2-Level Precutter

Model GFC720N



DISPOSALL

*Based on RPM testing of cleared GE and competitive models

Specification Revised 6/24