

# Installation Instructions

For Medium (15,000-18,500 BTU) + Heavy duty (22,000-28,500 BTU) Air Conditioner  
**READ BEFORE INSTALLING UNIT**

## INSTALLATION WARNINGS AND CAUTION

- \* Carefully read the installation manual before beginning.
  - \* Follow each step as shown.
  - \* Observe all local, state, and national electrical codes and by qualified, licensed, authorized personnel only.
  - \* Pay attention to danger and safety notices.
- To avoid risk of personal injury, property damage, or product damage due to the weight of this device and sharp edges that may be exposed:
- \* Air conditioners covered in this manual pose an excessive weight hazard. Two or more people are needed to move and install the unit. Wear protective gloves whenever lifting or carrying the unit. AVOID the sharp metal fins of front and rear coils. To prevent injury or strain, use proper lifting and carrying techniques when moving unit.
  - \* Carefully inspect location where air conditioner will be installed. Be sure it will support the weight of the unit over an extended period of time.
  - \* Handle air conditioner with care.
  - \* Make sure air conditioner does not fall during installation.
  - \* If a new electrical outlet is required, have the outlet installed by a qualified electrician before installing unit.

**NOTE: DO NOT USE ANY SCREWS OTHER THAN THOSE SPECIFIED HERE.**

### Preliminary instructions:

Do the following before starting to install unit. See illustrations below.

Check dimensions of your unit to determine model type:

	Heavy duty	Medium
Capacity:	22,000~28,500 BTU	15,000~18,500 BTU
Unit Height:	18-5/8"	17-5/8"
Unit Width:	26-1/2"	23-5/8"
Min. Window Opening:	19-1/2"	18-1/2"
Min. Window Width:	31"	26-1/2"
Max. Window Width:	42"	40-1/2"

**1. Check window opening size:** the mounting parts furnished with this air conditioner are made to install in a wooden sill double-hung window. The standard parts are for window dimensions listed above. Open sash to a minimum of 19" (483mm). (FIG.1)

There should be at least 11.8 inches (300mm) clearance around the unit. The appliance with electric heater shall have at least 1 meter space to the combustible materials.

**2. Check condition of window:** all wood parts of window must be in good shape and able to firmly hold the needed screws. If not, make repairs before installing unit.

**3. Check your storm windows:** If your storm window frame does not allow the clearance required, correct by adding a piece of wood as shown (FIG.2), or by removing storm window while room air conditioner is being installed.

FIG.1

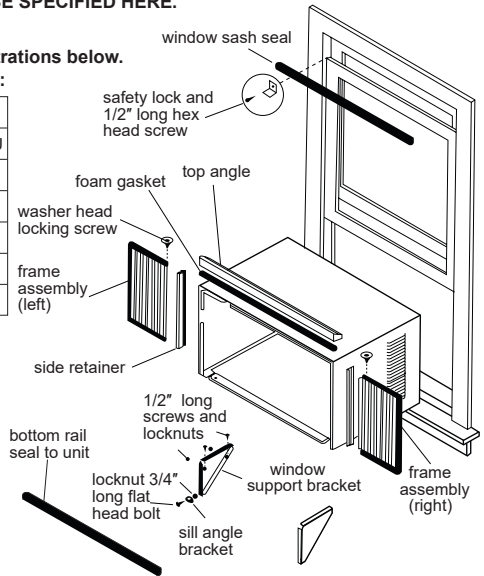
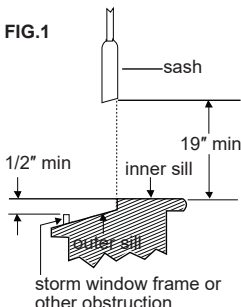
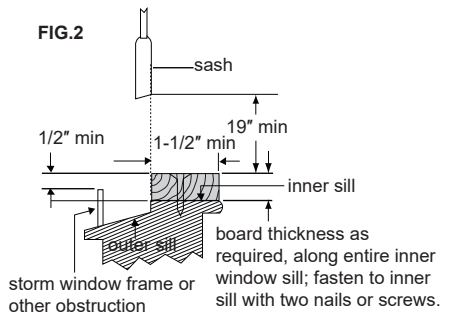


FIG.2



# Installation Instructions

## 4. Check for anything that could block airflow

Check area outside of window for things such as shrubs, trees, or awnings. Inside, be sure furniture, drapes, or blinds will not stop proper air flow.

## 5. Check the available electrical service

**Power supply must** be the same as that shown on the unit serial nameplate. (See Use & Care Guide for serial plate location.) Power cord is 48" long. Be sure you have an outlet near.





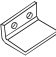

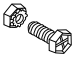





All models have a 3-prong service plug to provide proper service and safe positive grounding. Do not change plug in any way. Do not use an adapter plug. If your present wall outlet does not match your plug, call a qualified electrician to make the needed change.

## 6. Carefully unpack air conditioner

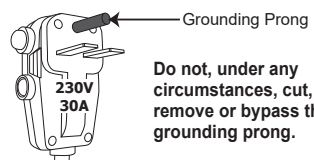
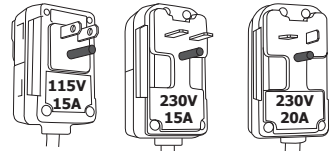
Remove all packing material. Protect floor or other stable flat surface with covering to prevent scratches from unit. With the aid of an assistant, remove unit from styrofoam base and rest on protected surface. Move and install unit with the aid of an assistant. Save packing and shipping box for future unit storage.

Accessory Kit includes	
• Hardware bag (shipped inside window support brackets)	• Foam gasket
	• Window sash seal
• Window support bracket (2)	• Bottom rail seal
• Side retainer (2)	• Cabinet seal
• Window Filler Panel (2)	* Top angle rail
* MEDIUM models only HEAVY DUTY top angle rail can be found in carton base packaging (FIG.3)	

Tools Required	
• a large flat blade screwdriver	• tape measure
• adjustable wrench or pliers	• pencil
• level	• Socket wrenches
• Phillips screwdriver	

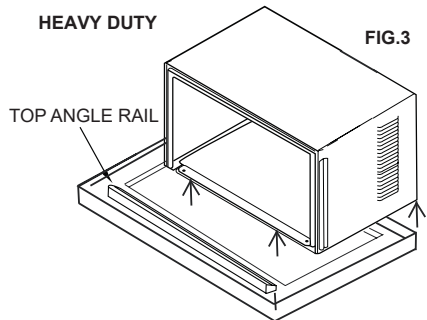
Hardware ( in plastic bag)	Qty.	Hardware ( in plastic bag)	Qty.
 7/16" Locking Screw and Flat Washer for window filler panels	2 set	 Sill Angle Bracket	2
 1/2" Long hex head screw	7	 Long hex-head locking screw for top angle rail, side retainer 5/16" long	10
 Safety Lock	1	 Safety Lock (for Vinyl-Clad window)	2
 1/2" Long Screw and locknut	4 set	 Locking screw #10 X 1/4" panhead Phillips screws (for Vinyl-Clad window)	2
 3/4" Long Flat Head Bolt and Locknut	2 set	 weather seals (6"X3/4"X1/12")	5
 foam insert	2	 Grounding wire and #M4x8-Z screw	1 set

**⚠ WARNING** Avoid fire hazard or electric shock. Do not use an extension cord or an adaptor plug. Do not remove any prong from the power cord.



HEAVY DUTY

FIG.3



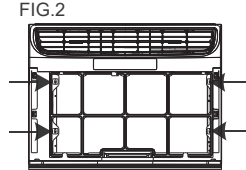
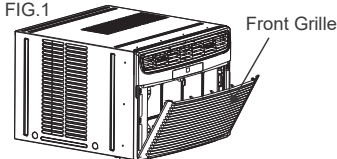
# Installation Instructions

## Window Mounting

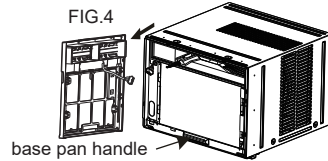
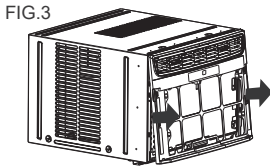
### 1 Remove Air Conditioner from Cabinet

NOTE: Remove any packaging material from cabinet exterior.

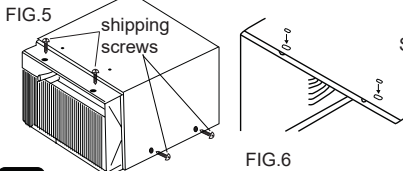
1. Pull down on front grille from upper edge. Lift front grille upwards and place to one side. (See FIG.1)
2. Remove filter. To remove, grasp in the middle on each side. Bow filter out to detach top edge from tabs. Once top is free, lift filter up and out.
3. Locate the four Front Panel screws and remove. These screws will be needed to re-install the Front Panel later (See FIG.2)



4. Push metal cabinet side inward to release plastic tabs on each side of Front Panel (see Fig. 3).
5. Rotate Front Panel up until top tabs are free. Pull panel straight out. When pulling out, front panel will also pull free from vent control lever. Depress latch on electronics plug (on some models) to disconnect.
6. Remove Front Panel from unit (see Fig. 4).

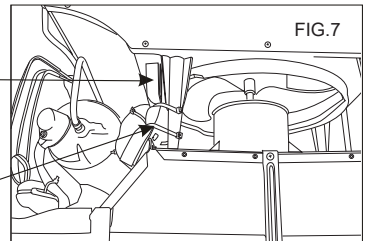


7. Remove shipping screws from top of unit and also on both sides by the base if installed. These screws will be needed to re-install later(See FIG.5)
8. With the aid of an assistant, hold the cabinet while pulling on the base pan handle (see FIG. 4), and carefully remove the air conditioner from cabinet.
9. Add two foam inserts to holes in top of cabinet where shipping screws were removed from. (See FIG.6)
10. Except 22,000BTU model, other heavy duty models (24,000-28,500BTU) come with internal shipping packaging. THIS PACKAGING AND PLASTIC TIES MUST BE REMOVED PRIOR TO INSTALLING THE AIR CONDITIONER BACK INTO THE CABINET. (See FIG.7)
11. Remove plastic wrapping from all points on power cord.



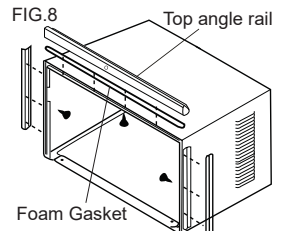
Shipping Packaging

Plastic tie



### 2 Install Top Angle Rail and Side Retainers

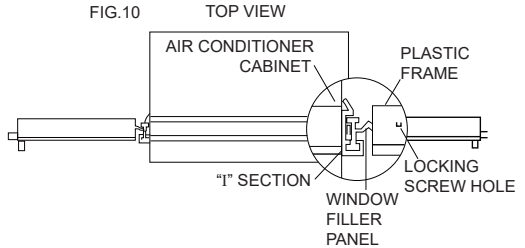
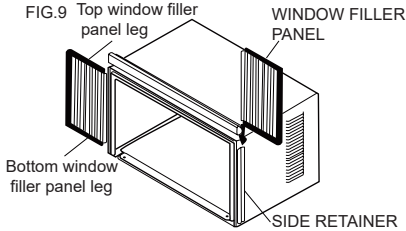
1. Remove adhesive strip coating from foam gasket. Attach adhesive side of gasket to bottom of top angle rail. Insert 4 screws from inside of cabinet and secure to top angle rail.
2. From inside of cabinet insert 3 screws to attach each side retainer as shown in Fig. 8. Attach side retainers with flat side against cabinet and angled edge toward rear of cabinet.



### 3 Assemble Window Filler Panels

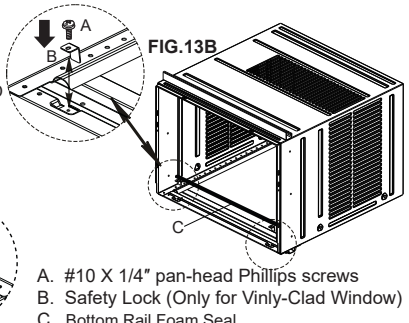
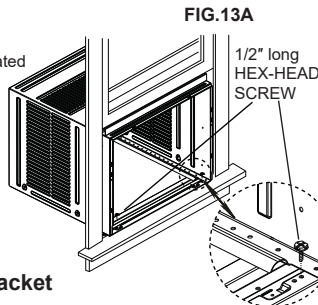
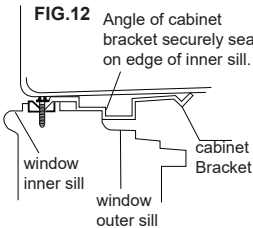
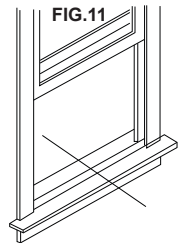
1. Place cabinet on floor, a bench, or a table.
2. Slide "I" section at end of window filler panel into side retainer on each side of the cabinet (see FIG. 9 and FIG.10).
3. On each side of cabinet, insert top and bottom legs of window filler panel frame into channel in the top and bottom angle rails.
4. Insert a 7/16" locking screw and flat washer into hole on top leg of each window filler panel (see section 6). Do not totally tighten. Allow leg to slide freely. Screws will be tightened after Section 6.

# Installation Instructions



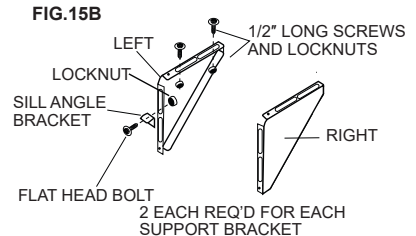
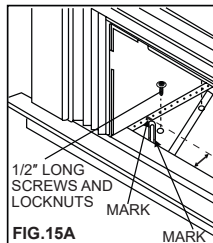
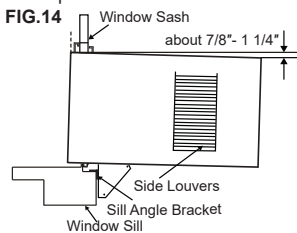
## 4 Place Cabinet in Window

1. Open window and mark the center of window inner sill as shown (FIG. 11).
2. Place cabinet in window with cabinet bracket securely seated over edge of inner sill as shown in FIG. 12. Bring window down temporarily behind top angle rail to hold cabinet in place.
3. Shift cabinet left or right as needed to line up center of cabinet on center line marked on inner sill.
4. **For wooden window:** Fasten cabinet to window inner sill with two 1/2" long hex head screws into holes (FIG. 13A). (You may wish to pre-drill pilot holes.)  
**For Vinyl-Clad window:** Place two safety locks into the holes located in the bottom of the cabinet and drive two #10X1/4" pan-head Phillips locking screws through the safety locks into the cabinet as shown (FIG. 13B).
5. Remove protective strip from adhesive side of Bottom Rail Foam Seal. Apply Seal over screws fastening bottom rail to window inner sill.



## 5 Install Support Bracket

1. Hold each support bracket flush against outside of sill and tight to bottom of cabinet. Mark brackets at top level of sill. Mark cabinet bottom at distance of sill width. See Fig. 15 A. Remove support brackets.
2. Attach sill angle brackets to support brackets at marked positions with flat head bolts and nuts. Hand tighten only at this point. See Fig. 15B.
3. Insert 1/2" long bolts through appropriate holes in cabinet bottom given the sill width distance. Thread the bolts into the slots of the support brackets. Tighten lock washer nuts onto bolts.
4. Adjust height of sill angle bracket so that bracket rests securely on edge of sill, and so that cabinet has about 7/8" to 1 1/4" downward tilt for proper water drainage (tilted about 2° to 4° downward to the outside, see Fig. 14). Tighten nuts securely. After proper installation, condensate should not drain from the overflow drain hole during normal use, correct the slope otherwise.



# Installation Instructions

## 6 Extend Window Filler Panels and attach to top angle rail:

1. Carefully raise window to expose filler panel locking screws on top angle rail. Loosen screws so filler panels slide easily.
2. Extend panels to fill window opening completely. Tighten locking screws on top (FIG. 16).
3. Close window behind top angle rail.
4. Attach the top angle rail to window frame: Use a 3/32" drill bit to drill one hole through the hole in the middle of top angle rail into the window frame, and drive one 1/2" HEX-HEAD locking screw through the hole in the middle of top angle rail into the window frame as shown (FIG. 17).

FIG. 16

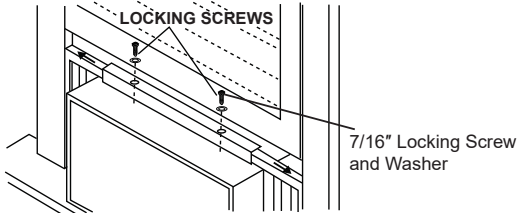
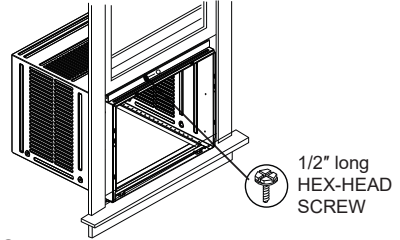
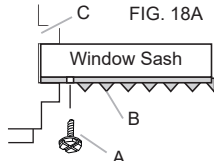


FIG. 17

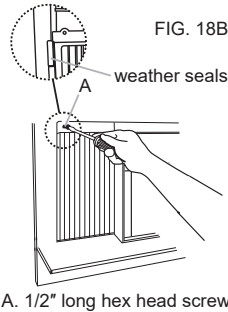


## 7 Attach Window Filler Panels to Window Frame

1. Extend the window filler panels out against the window frame.
2. Use a 1/8" drill bit to drill a starter hole through the hole in the top leg of each window filler panel and into the window sash (Fig. 18A and Fig. 18B). Connect with one 1/2" long hex head screw.

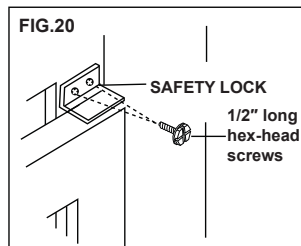
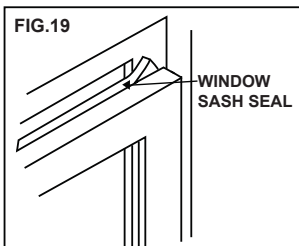


- A. 1/2" long hex head screw
- B. left-hand Window Filler Panel Top Leg
- C. Window channel



## 8 Install Window Sash Seal and Safety Lock

1. Trim window sash seal to fit window width. Insert it into space between upper and lower sashes as shown (FIG. 19).
2. Attach right angle safety lock to top window sash as shown (FIG.20).
3. If necessary, trim weather seals to needed length, peel off protective backing, and use to plug any gaps. See Fig.18B.

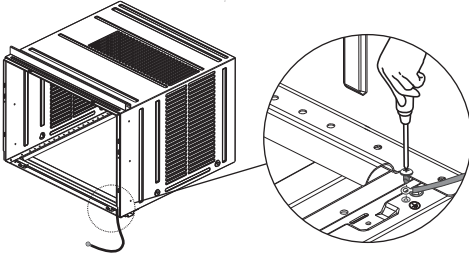


# Installation Instructions

## 9 Install Air Conditioner into Cabinet and Install Front Panel to Unit

1. Fix one end of the grounding wire on the cabinet with #M4x8-Z screw (FIG.21A).

FIG. 21A



2. Lift air conditioner and carefully slide into cabinet.

**CAUTION: Do not push on controls OR finned coils.**

3. Be sure air conditioner is firmly seated towards rear of cabinet. Re-install the shipping screws removed in step 1.

4. Fix the other end of the grounding wire on the lower right corner of the unit. Reconnect electronics plug if present. (see FIG.21B) Position vent control lever so that it will thread into its channel in the front panel (see FIG.21C).

Hook front panel top tabs into slots on cabinet top, and rotate front panel down so that side tabs snap into place on cabinet. Insert 4 previously removed screws through front panel and into air conditioner.

5. Insert air conditioner filter. Reinstall the front grille by hooking bottom tabs into slots on Front Panel bottom, then rotating grille up to snap into place.

FIG. 21B

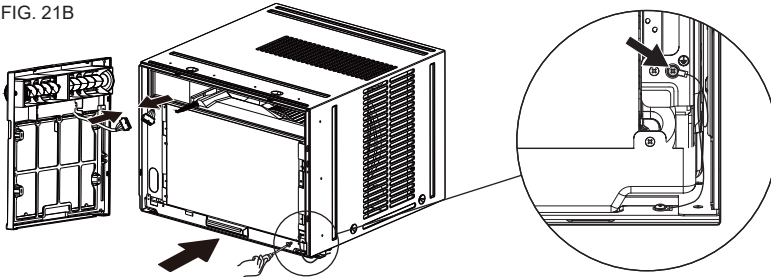
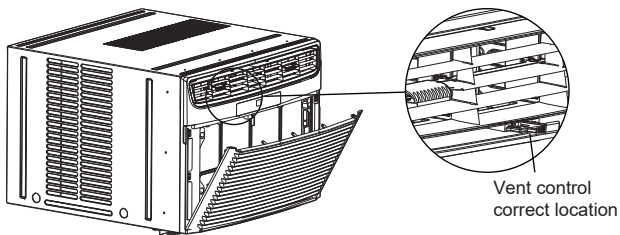


FIG. 21C



# Installation Instructions

## Thru-The-Wall Installation

### NOTE:

- Consult local building codes prior to installation, or a qualified carpenter.

### 1 Select Wall Location

This air conditioner slides out from its cabinet, so that it can be installed through an outside wall as explained below.

	Heavy duty	Medium
Max wall thickness	10"	8"

### NOTE:

- **IMPORTANT: Side louvers must never be blocked.**
- All parts needed for Thru-The-Wall Installation are provided, except a wood frame, shims, and 10 wood screws (#10-1" long minimum). Select a wall surface that:
  1. Does not support major structural loads such as the frame construction at ends of windows, and under truss-bearing points, etc.
  2. Does not have plumbing or wiring inside.
  3. Is near existing electrical outlets, or where another outlet can be installed.
  4. Faces to the area to be cooled, and it is not blocked.
  5. Allows unblocked airflow from rear sides and end (outside) of installed air conditioner.

### 2 Prepare Wall

1. Prepare wall in frame construction (including brick and stucco veneer). Working from inside the room, find wall stud nearest the center of area where air conditioner will be installed (by sounding wall, or by magnetically finding nails).
2. Cut out a hole on each side of center stud.
3. Measure between inside edges of every other stud as shown in FIG.1. Carefully measure and cut an opening with the following dimensions depending on your model. See FIG.1 and FIG.2.

WIDTH "X" = inside model width plus twice the thickness of framing material used.

HEIGHT "Y" = inside model height plus twice the thickness of framing material used.

	Heavy Duty	Medium
Capacity:	22,000~28,500BTU	15,000~18,500BTU
Inside Frame Height:	18-7/8" (47.9 cm)	18" (45.7 cm)
Inside Frame Width:	26-3/4" (67.9 cm)	23-7/8" (60.6 cm)

FIG.1

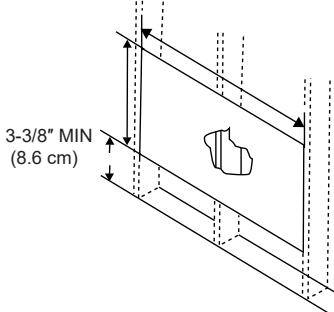
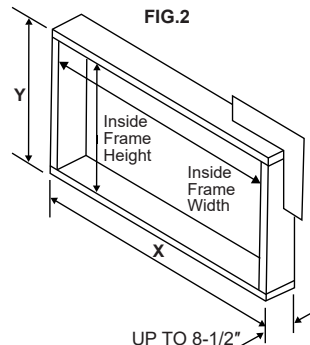


FIG.2

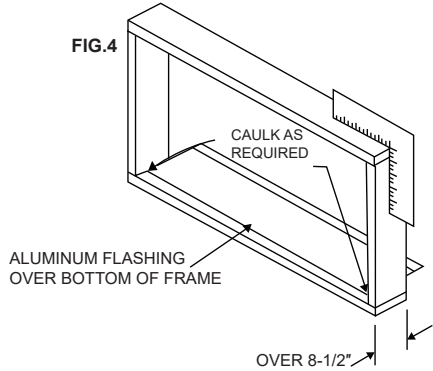
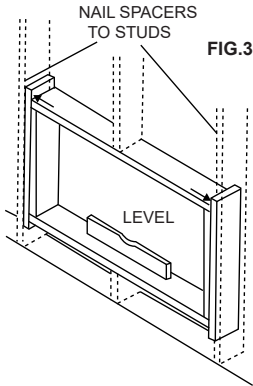


# Installation Instructions

4. Build a wooden frame with the **INSIDE** dimensions of your model listed above. (Measure twice remember...) Frame depth should be the same as wall thickness. Fill in the space from the opening to the studs with wood spacers, as shown.
5. Nail frame to spacers to spacers with front flush with dry wall.

## **NOTE:**

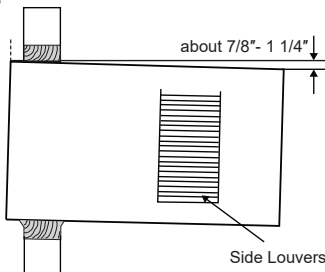
- If wall thickness is 8-1/2" or more, add aluminum flashing over bottom of frame opening to assure no water can enter area between inner and outer wall.



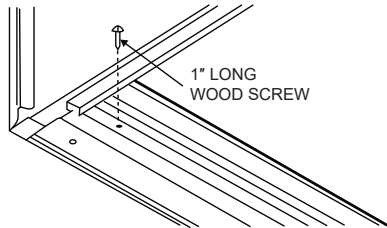
## **3** Prepare and Install Cabinet

1. Slide air conditioner from cabinet; refer back to Step 1 of Window Mounting.
2. Place cabinet into opening with bottom rail resting firmly on bottom board of wooden frame.
3. Position cabinet to achieve proper downward tilt for water removal. Unit must tilt back about 7/8" to 1 1/4" for proper water drainage. (See FIG.5 below.)
4. Secure bottom rail to wood frame with two large wood screws 1" (2.5 cm) long using the two holes in the bottom of the channel resting on frame. (See FIG.6 following)

**FIG.5**



**FIG.6**



Refer to Step 5 of Window Mounting for assembly of support brackets. Nail a wooden strip to the outside wall for the angle sill bracket to rest upon. See Fig. 7.

5. Screw or nail cabinet to wooden frame using shims as needed to eliminate cabinet distortion. See Fig. 8. Remember to maintain proper tilt as described in Step 3.



# Installation Instructions

FIG.7

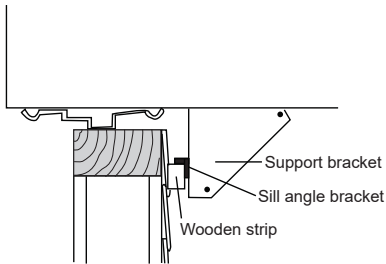
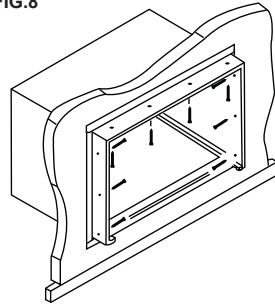


FIG.8



6. Install air conditioner into cabinet by following all steps in Step 9 of Window Mounting.

OPTIONAL: Caulking and installation of trim on interior wall may be done. You can buy wood from your local lumber or hardware supply. On the outside, caulk openings around top and sides of cabinet, and all sides of wood sleeve to the opening.



## NOTE:

- See Step 5, Item 4 of Window Mounting Instructions for bottom rail seal location.

## Masonry Construction

1. Cut or build a wall opening in the masonry wall similar to the frame construction (refer to Step 2 of Thru-the-Wall Installation for a wall thickness greater than 8-1/2").
2. Secure cabinet in place using masonry nails, or the right masonry anchor screws. (Another way to secure cabinet is to build a frame in the masonry wall such as the one shown in Fig. 3 of Step 2 Prepare Wall. Securely anchor frame to masonry wall. This way gives very good louver clearance on either side of cabinet.)
3. Install a lintel to support masonry wall above cabinet. Existing holes in cabinet can be used and/or additions holes can be drilled to fasten cabinet at various positions. Be sure that side louver clearance is in accordance with Step 1 Select Wall Location.
4. Install exterior cabinet support brackets as shown in Step 3 of Thru-the-Wall Installation. Caulk or flash if needed, to provide a weather-tight seal around top and sides of cabinet.
5. To complete installation, apply wood trim molding around room side projection of cabinet.



# Instrucciones de montaje

Para aparatos de aire acondicionado de medio (15,000-18,500 BTU) y alto rendimiento (22,000-28,500 BTU)

## LEA ESTO ANTES DE MONTAR LA UNIDAD

### ADVERTENCIAS PARA INSTALACION Y PRECAUCIÓN

- \* Lea cuidadosamente el manual de instalación antes de comenzar.
  - \* Siga cada paso como se indica.
  - \* Observe todos los códigos eléctricos locales, estatales y nacionales y haga la instalación solo con personal calificado, matriculado y autorizado.
  - \* Preste atención a las notificaciones sobre peligro y seguridad.
- Para evitar el riesgo de lesiones, de daños materiales y de daños al equipo debido a su peso y a los bordes afilados que puedan quedar expuestos:
- \* Los aparatos de aire acondicionado detallados en este manual suponen un peligro por su excesivo peso. Es necesaria la intervención de dos o más personas para mover e instalar el equipo. Utilice guantes protectores cuando necesite levantarlo o moverlo. EVITE tocar las afiladas aletas metálicas que existen en el frontal y en la parte posterior. Para evitar lesiones y problemas musculares, emplee técnicas adecuadas de levantamiento y desplazamiento del mismo.
  - \* Inspeccione cuidadosamente la localización donde piensa instalar el equipo de aire acondicionado. Asegúrese de que es capaz de soportar el peso del mismo durante un largo periodo de tiempo.
  - \* Manipule el aparato de aire acondicionado con cuidado.
  - \* Evite que el aparato de aire acondicionado se caiga durante la instalación.
  - \* Si necesita un nuevo tomacorrientes, debe ser instalado por un electricista cualificado antes de montar la unidad.

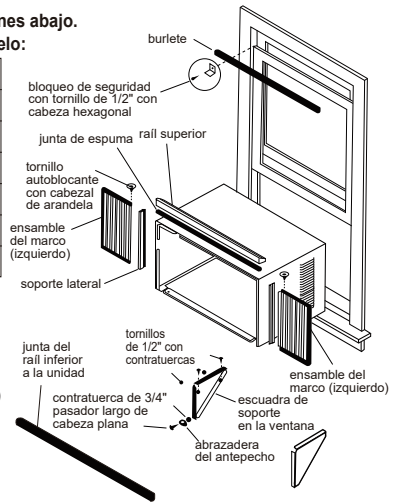
**NOTA: NO USE OTROS TORNILLOS QUE LOS ESPECIFICADOS AQUÍ.**

### Instrucciones preliminares:

Haga lo siguiente antes de empezar a instalar el equipo. Vea las ilustraciones abajo.

Compruebe las dimensiones de su equipo para determinar el tipo de modelo:

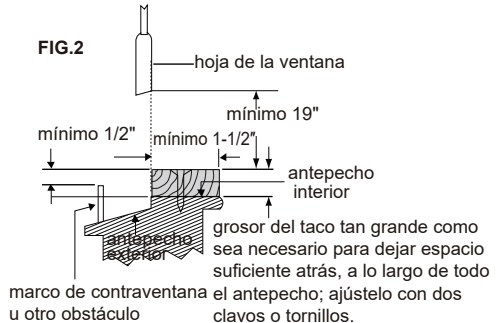
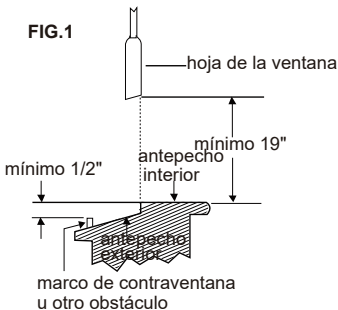
	Alto rendimiento	Medio
Capacidad:	22,000~28,500 BTU	15,000~18,500 BTU
Altura del equipo:	18-5/8"	17-5/8"
Anchura del equipo:	26-1/2"	23-5/8"
Apertura mínima de la ventana:	19-1/2"	18-1/2"
Anchura mínima de la ventana:	31"	26-1/2"
Anchura máxima de la ventana:	42"	40-1/2"



**1. Compruebe la apertura de la ventana:** las piezas de montaje provistas con este aparato de aire acondicionado están diseñadas para la instalación en marcos de madera de ventanas de guillotina doble. Las piezas estándar son para ventanas de las dimensiones arriba especificadas. La hoja de la ventana deberá abrir un mínimo de 19" (483mm). (FIG.1) Debería haber una distancia de 11.8 pulgadas (300 mm) alrededor de la unidad como mínimo. El aparato con calentador eléctrico deberá tener al menos 1 metro de distancia a los materiales combustibles.

**2. Compruebe el estado de la ventana:** todas las partes de madera de la ventana deben estar en buen estado y deberán ser capaces de sujetar firmemente los tornillos necesarios. Si no es así, repárela antes de instalar el equipo.

**3. Compruebe sus contraventanas:** Si el marco de su contraventana no permite el espacio requerido, deberá corregirlo calzando un taco de madera como se muestra (FIG.2), o eliminando la contraventana mientras el equipo de aire acondicionado esté instalado.



# Instrucciones de montaje

## 4. Compruebe que nada bloquea el flujo de aire

Compruebe que en el exterior de la ventana no existan arbustos, árboles o toldos. En el interior, asegúrese de que los muebles, cortinas y persianas no bloquean el flujo de aire.

## 5. Compruebe la instalación eléctrica disponible

La fuente de alimentación debe ser la misma que se indica en la placa de serie. (Consulte la localización de la placa en la guía de usos y cuidados). El cable de alimentación mide 48" de largo. Asegúrese de tener un tomacorrientes cerca.





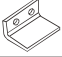

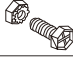

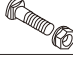



Todos los modelos tienen un enchufe polarizado de 3 clavijas con toma de tierra de seguridad. No cambie el enchufe de ninguna manera. No use un adaptador. Si su tomacorrientes no coincide con el enchufe, solicite que un electricista cualificado realice los cambios necesarios.

## 6. Desempaque con cuidado el aparato de aire acondicionado

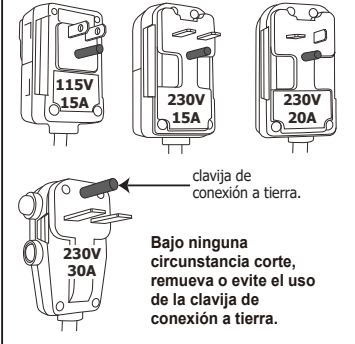
Remueva todo el material del embalaje. Proteja las superficies planas como el suelo cubriéndolas para evitar que la unidad provoque ralladuras. Con la ayuda de un asistente, remueva la unidad de la base de espuma de poliestireno y apóyelo sobre la superficie protegida. Mueva e instale la unidad con la ayuda de un asistente. Guarde la caja del embalaje para almacenar la unidad en el futuro.

El kit de accesorios incluye	
● Bolsa de ferretería (incluida en el envío con las escuadras de soporte de la ventana)	● Junta de espuma
● Escuadras de soporte en la ventana (2)	● Burlete
● Soportes laterales (2)	● Junta del rail inferior
● Paneles de relleno de la ventana (2)	● Sello de armario
	* Rail superior
* Sólo en modelos de rendimiento MEDIO El rail superior de los modelos de ALTO RENDIMIENTO se encuentran en la base del embalaje (FIG.3)	

Herramientas necesarias	
● un destornillador grande de línea	● cinta métrica
● llave inglesa o alicates	● lápiz
● nivel	● llaves de tubo
● destornillador Phillips	

Ferretería (en bolsa de plástico)	Cant.	Ferretería (en bolsa de plástico)	Cant.
 Tornillos autoblocantes de 7/16" con arandela plana para los paneles de relleno de la ventana	2 juego	 Abrazadera del antepecho	2
 Tornillo de 1/2" de cabeza hexagonal	7	 Tornillos autoblocantes de cabeza hexagonal de 5/16" para rail superior y retenes laterales	10
 Bloqueo de seguridad	1	 Bloqueo de seguridad (para ventanas de PVC)	2
 Tornillo de 1/2" y contratuerca	4 juego	 Tornillo Phillips autoblocante #10 de 1/4" de cabeza redondeada (para ventanas de PVC)	2
 Perno de 3/4" de cabeza plana y contratuerca	2 juego	 burletes (6"x3/4"x1/12")	5
 taco de espuma	2	 Cable a tierra y tornillo número M4x8-Z	1 juego

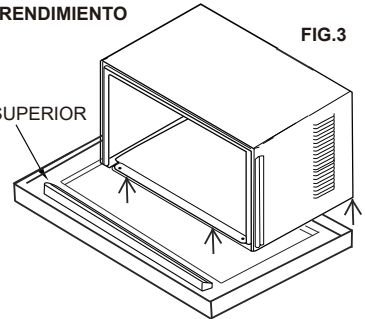
**⚠ PRECAUCIÓN** Evite el riesgo de incendio o choque eléctrico. No use un alargador ni un adaptador de tomacorrientes. No remueva ninguna clavija del enchufe.



## ALTO RENDIMIENTO

FIG.3

RAÍL SUPERIOR



# Instrucciones de montaje

## Montaje en ventanas

### 1 Remueva el aparato de aire acondicionado de la carcasa

NOTA: Remueva todo el material de embalaje del exterior de la unidad.

1. Tire hacia abajo de la rejilla desde el borde superior. Levante la rejilla hacia arriba y apártela a un lado. (Vea FIG.1)
2. Remueva el filtro. Para removerlo, agárrelo de los medios en cada lado. Inclíne el filtro hacia fuera para soltar el borde superior de las pestañas. Una vez que el borde superior esté liberado, levante el filtro hacia arriba y hacia fuera.

FIG.1

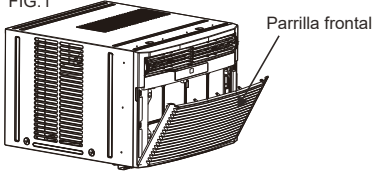
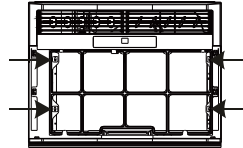


FIG.2



3. Localice los 4 tornillos del panel frontal y remuévalos. Estos tornillos serán necesarios después para reinstalar el panel frontal (vea FIG.2).
4. Presione la carcasa metálica hacia dentro para soltar las pestañas de plástico en cada lado del panel frontal (vea FIG.3).
5. Rote el panel frontal hasta que las pestañas superiores queden liberadas. Tire del panel hacia fuera. Cuando tire hacia fuera, el panel frontal se liberará también de la palanca de control del conducto de ventilación. Suelte el pestillo del conector electrónico (en algunos modelos) para liberarlo.
6. Remueva el panel frontal de la unidad (vea FIG.4).

FIG.3

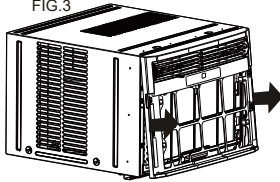
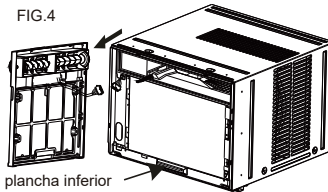


FIG.4



7. Remueva los tornillos de transporte de la parte superior de la unidad, así como los del lados juntos a la base si están instalados. Será necesario volver a instalar los tornillos más tarde (Vea FIG.5)
8. Con la ayuda de un asistente, levante la carcasa mientras tira del asa de la plancha inferior (vea FIG.4), y remueva con cuidado el equipo de aire acondicionado de su carcasa.
9. Inserte dos tacos de goma en los agujeros de la parte superior de la carcasa donde retiró los tornillos de transporte. (Vea FIG.6)
10. Excepto 22000BTU modelo, otros modelos de alto rendimiento (24,000~28,500BTU) tienen un empaquetado interno. ESTE EMPAQUETADO Y SUS TIRAS DE PLÁSTICO DEBEN REMOVERSE ANTES DE INSTALAR DE VUELTA EL APARATO DE AIRE ACONDICIONADO EN LA CARCASA. (Vea FIG.7)
11. Remueva el envoltorio plástico de todos los segmentos del cable de corriente.

FIG.5

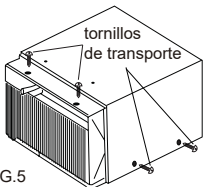


FIG.6

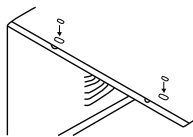
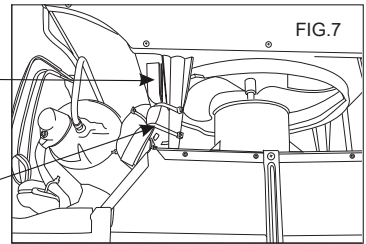


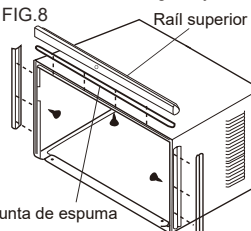
FIG.7



### 2 Instale el raíl superior y los soportes laterales

1. Remueva la cinta adhesiva protectora de la junta de espuma. Adhiérala por el lado adhesivo a la parte inferior del raíl superior. Inserte 4 tornillos desde el interior de la carcasa y asegúrelos al raíl superior.
2. Desde el interior de la carcasa inserte 3 tornillos para ajustar cada soporte lateral como se muestra en la Fig. 8. Ajuste los retenes laterales por su cara plana contra la carcasa y con el lado angulado hacia la parte trasera de aquella.

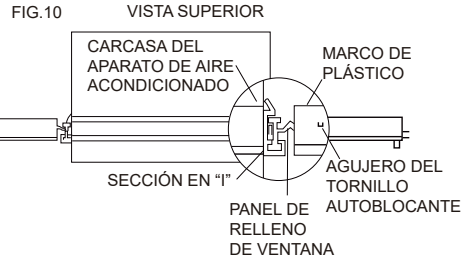
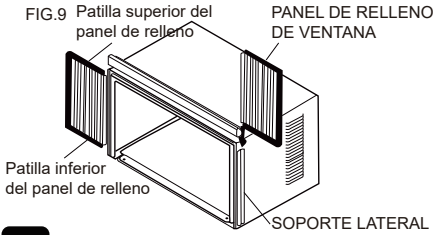
FIG.8



### 3 Ensamble los paneles de relleno de la ventana

1. Coloque la carcasa en el suelo, un banco o una mesa.
2. Deslice la sección en forma de "I" del extremo del panel de relleno de la ventana en los retenes laterales de cada lado de la carcasa (vea FIG.9 y FIG.10).
3. En cada lado de la carcasa, inserte las patillas superiores e inferiores de los paneles laterales de relleno en el canal de los raíles superior e inferior.
4. Inserte un tornillo autoblocante de 7/16" con arandela plana en el agujero de la patilla superior de cada panel de relleno (vea la sección 6). No los apriete totalmente. Permita que la patilla se deslice libremente. Los tornillos deben apretarse después en la sección 6.

# Instrucciones de montaje



## 4 Ubique la carcasa en la ventana

1. Abra la ventana y marque el centro del contrapecho interior como se muestra (FIG.11).
2. Ubique la carcasa en la ventana con la abrazadera de soporte firmemente asegurada sobre el borde del antepecho interior como se muestra en FIG.12. Baje la ventana temporalmente hasta el rail superior para colocar la carcasa en su lugar.
3. Ajuste la carcasa a la izquierda o a la derecha según sea necesario hasta alinear el centro de la misma con la línea central marcada en el contrapecho interior.
4. **Para ventanas de maderas:** Ajuste la carcasa al antepecho de la ventana con dos tornillos de 1/2" de cabezal hexagonal (FIG.13A). (Puede requerir taladrar agujeros-guía).

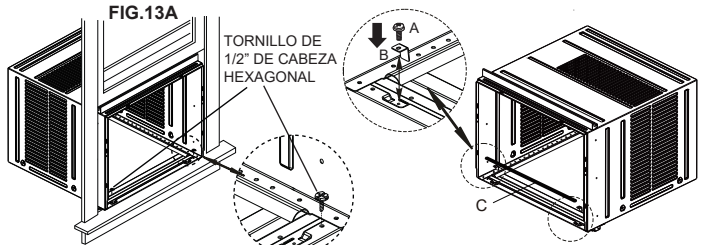
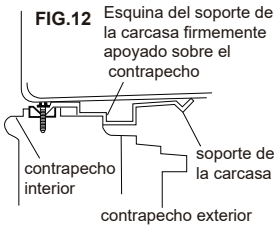
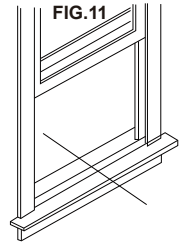
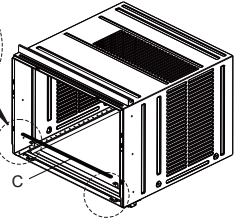


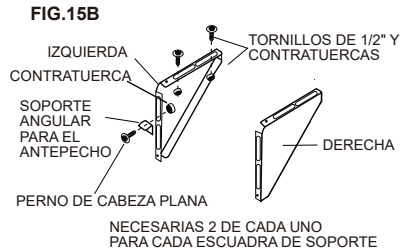
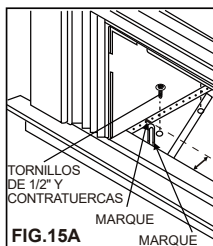
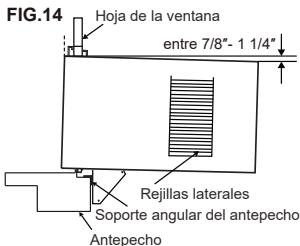
FIG.13B



- A. Tornillos Phillips de #10 x 1/4" de cabeza redondeada
- B. Bloqueo de seguridad (sólo para ventanas de PVC)
- C. Junta de goma del rail inferior

## 5 Instale la escuadra de soporte

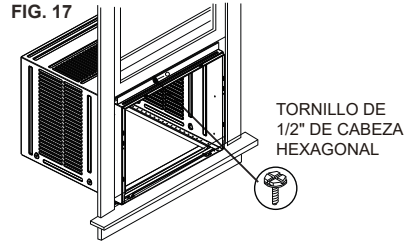
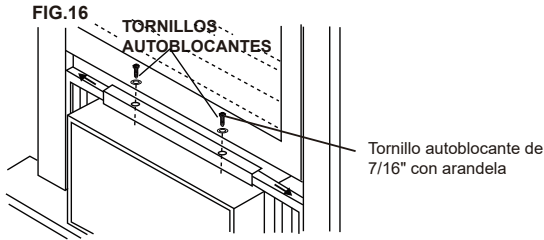
1. Sostenga cada una de las escuadras de soporte alineadas con el exterior del antepecho y ajústelas a la parte inferior de la carcasa. Marque la posición de las escuadras en la parte superior del antepecho. Marque en la parte inferior de la carcasa a la distancia del ancho de las escuadras. Vea FIG.15A. Remueva las escuadras de soporte.
2. Ajuste los soportes angulares del antepecho a las escuadras de soporte en las posiciones marcadas con pernos de cabezal plano y tuercas. Apriete las tuercas sólo ligeramente de momento. Vea FIG.15B.
3. Inserte pernos de 1/2" de largo a través de los agujeros adecuados en la parte inferior de la carcasa de acuerdo a la distancia de las escuadras. Pase los pernos por los agujeros de las escuadras. Afiance los pernos con tuercas blocantes.
4. Ajuste la altura del soporte angular del antepecho de tal manera que los soportes queden asegurados sobre el borde del mismo, y de forma que la carcasa tenga una inclinación adecuada entre 7/8" y 1 1/4" para permitir el drenaje de agua (inclinado de 2° a 4° hacia abajo y afuera, vea FIG.14). Apriete las tuercas hasta afianzarlas. Después de hacer la instalación, el condensado no debe drenar por el orificio de drenaje durante el uso normal, en caso lo contrario, corrija la inclinación.



# Instrucciones de montaje

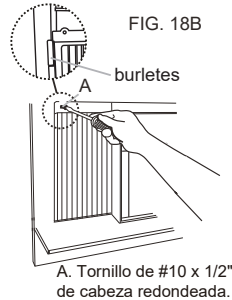
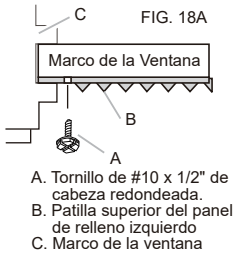
## 6 Extienda los paneles laterales de relleno y ajústelos al rail superior:

1. Levante la ventana con cuidado para acceder los tornillos de bloqueo de los paneles laterales en el rail superior. Afloje los tornillos para que los paneles laterales se deslicen fácilmente.
2. Extienda los paneles para rellenar la apertura de la ventana completamente. Apriete los tornillos de bloqueo del rail superior (FIG.16).
3. Cierre la ventana por detrás del rail superior.
4. Ajuste el rail superior al marco de la ventana. Use una broca de 3/32" para taladrar un agujero en el marco de la ventana a través de la mitad del rail superior, e inserte un tornillo autoblocante de 1/2" de cabeza hexagonal a través de ese agujero en el marco de la ventana como se muestra (FIG.17).



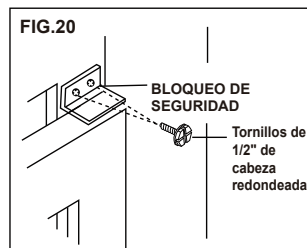
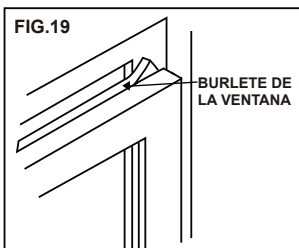
## 7 Ajuste los paneles de relleno al marco de la ventana

1. Extienda los paneles de relleno hasta el marco de la ventana.
2. Use una broca de 1/8" para taladrar un agujero guía en la patilla superior de cada panel lateral y en la hoja de la ventana (Fig. 18A y Fig. 18B). Conéctelo con un tornillo 10x1/2".



## 8 Instale el burlete y el bloqueo de seguridad

1. Recorte el burlete hasta coincidir con el ancho de la ventana. Insértelo en el espacio entre las hojas superior e inferior de la misma, tal como se muestra (FIG.19).
2. Ajuste el bloqueo de seguridad a la hoja superior de la ventana como se muestra (FIG.20).
3. Si fuera necesario, recorte los burletes a la longitud necesaria, elimine la cinta adhesiva posterior, y úselos para rellenar cualquier posible agujero. Vea FIG.18B.

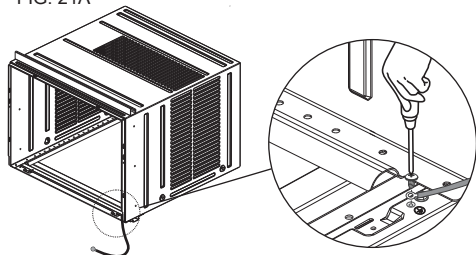


# Instrucciones de montaje

## 9 Instale el aparato de aire acondicionado en la carcasa y monte el panel frontal en la unidad

1. Fije uno de los cables de tierra en el armario con el tornillo número M4x8-Z (Fig. 21A).

FIG. 21A



2. Levante el aparato de aire acondicionado e insértelo con cuidado en la carcasa.  
**CUIDADO: No presione sobre los controles NI sobre la rejilla del circuito.**
3. Asegúrese de que el aparato de aire acondicionado queda firmemente asentado en el fondo de la carcasa. Vuelva a colocar los tornillos de envío que se quitaron en el paso 1.
4. Fije el otro extremo del cable a tierra en el extremo más bajo derecho de la unidad. Reconecte el conector eléctrico si existe. Posicione el control de ventilación de tal forma que encaje en su canal en el panel frontal (vea FIG.21). Enganche las pestañas del panel frontal en los zócalos de la parte superior de la carcasa, y rote el panel hacia abajo hasta que las pestañas encajen en su sitio en la carcasa. Inserte los 4 tornillos previamente removidos a través del panel frontal y en el aparato de aire acondicionado.
5. Inserte el filtro del aire. Reinstale la parrilla frontal enganchando las pestañas inferiores en los zócalos de la parte inferior del panel frontal, y rotando después la parrilla hacia arriba hasta que encaje en su lugar.

FIG. 21B

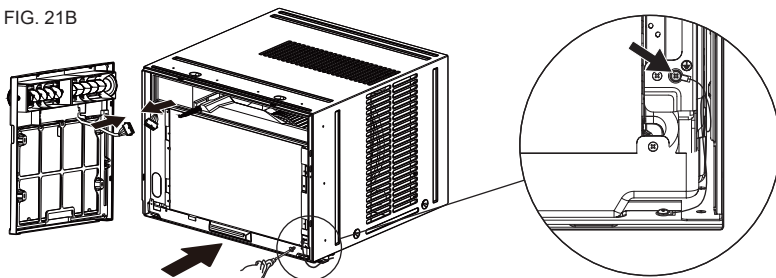
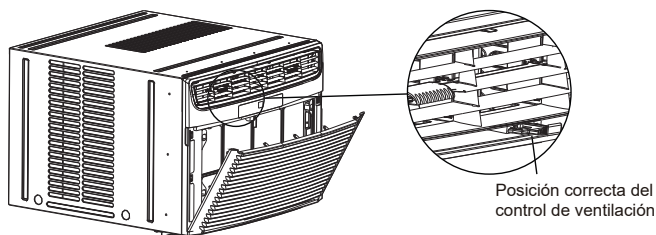


FIG. 21C





# Instrucciones de montaje

## Instalación en muros

### ! NOTA:

- Consulte las normativas de edificación antes de proceder a la instalación, o a un albañil cualificado.

## 1 Seleccione la ubicación en la pared

Este aparato de aire acondicionado sobresale en su carcasa, por lo que puede ser instalado a través de una pared tal como se explica más adelante.

	Alto rendimiento	Rendimiento medio
Grosor máximo del muro	10"	8"

### ! NOTA:

- **IMPORTANTE:** Las rejillas laterales no deben quedar obstruidas nunca.
- Todas las piezas necesarias para la instalación en muro vienen provistas, salvo por un marco de madera, calzos, y tornillos de madera del 10 (#10-1" como mínimo). Seleccione un muro que:
  1. No cargue estructuras principales como los extremos de los vanos en las ventanas, puntos de carga, etc.
  2. No contenga cableado eléctrico ni fontanería.
  3. Esté cerca de puntos de toma de corriente, o donde algún tomacorrientes pueda instalarse.
  4. De a la estancia a enfriar, y no esté bloqueado.
  5. Permita un flujo de aire sin bloqueos desde todo el perímetro posterior del aparato una vez instalado.

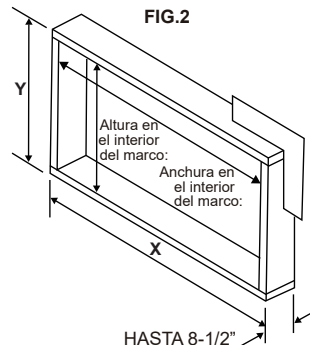
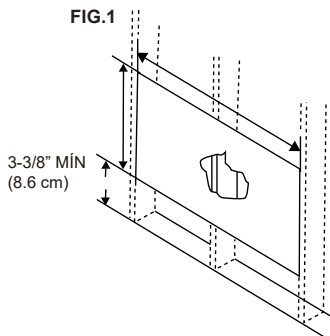
## 2 Prepare el muro

1. Prepare la construcción interna del muro (incluyendo ladrillo y planchas de estuco). Trabajando desde el interior de la estancia, encuentre el montante más cercano al centro del área donde instalará el aire acondicionado (sondeando la pared, o buscando clavos magnéticamente).
2. Practique un agujero a cada lado del montante central.
3. Mida entre los bordes interiores de los demás montantes tal como se muestra en FIG.1. Mida cuidadosamente y practique una abertura con las siguientes dimensiones dependiendo de su modelo. Vea FIG.1 y FIG.2.

ANCHURA "X" = interior del modelo más el doble del grosor del material usado para el calzado.

ALTURA "Y" = interior del modelo más el doble del grosor del material usado para el calzado.

	Alto rendimiento	Rendimiento medio
Capacidad:	22,000~28,500BTU	15,000~18,500BTU
Altura en el interior del marco:	18-7/8" (47.9 cm)	18" (45.7 cm)
Anchura en el interior del marco:	26-3/4" (67.9 cm)	23-7/8" (60.6 cm)



# Instrucciones de montaje

4. Construya un marco de Madera de las dimensiones INTERIORES de su modelo listadas arriba. (Recuerde medir dos veces...). La profundidad del marco debe ser del mismo grosor que el del muro. Rellene todo el espacio desde las aberturas hasta los montantes con espaciadores de madera, como se muestra.
5. Clave el marco a los espaciadores con el frontal alineado con la pared lisa.



## NOTA:

- Si el grosor del muro es de 8-1/2" o más, añada una plancha de aluminio sobre la parte inferior del marco de apertura para asegurar que no pueda pasar agua entre el exterior y el interior de la pared.

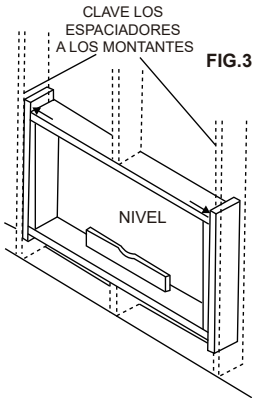
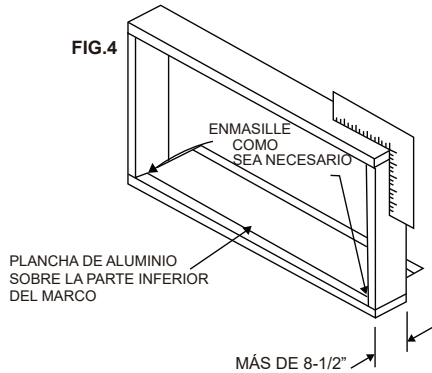


FIG.4



## 3

### Prepare e instale la carcasa

1. Saque el aparato de aire acondicionado de su carcasa. Consulte de nuevo el paso 1 de 'Montaje en ventanas'.
2. Ubique la carcasa sobre la apertura con el rail inferior descansado firmemente sobre la madera inferior del marco.
3. Posicione la carcasa para conseguir una pendiente adecuada para la salida de agua. La unidad debe inclinarse hacia detrás entre 7/8" y 1 1/4" para un drenaje adecuado. (Vea FIG.5 más abajo).
4. Asegure el rail inferior al marco de madera con dos tornillos grandes para madera de 1" (2.5 cm) de largo a través de los dos agujeros en la parte inferior del canal apoyado sobre el marco. (Vea FIG.6 a continuación)

FIG.5

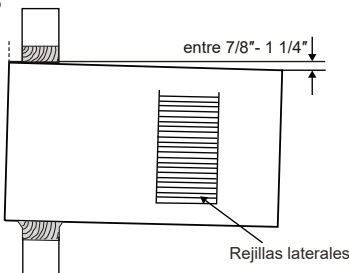
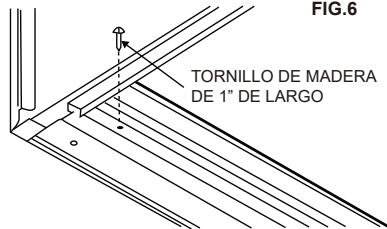


FIG.6



Consulte en el paso 5 de Montaje en ventanas el montaje de las escuadras de soporte. Clave un taco de madera en el exterior del muro para que el soporte angular del antepecho se apoye sobre él. Vea FIG.7.

5. Atornille o clave un marco de madera para la carcasa usando los calzos necesarios para eliminar cualquier posible deformación de la carcasa. Vea FIG.8. Recuerde mantener una inclinación adecuada como se describe en el paso 3.

# Instrucciones de montaje

FIG.7

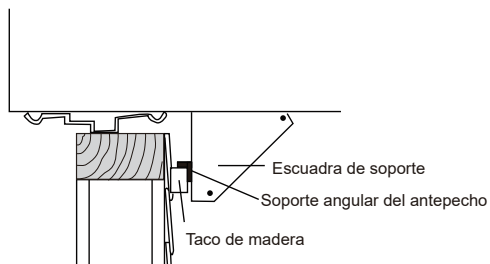
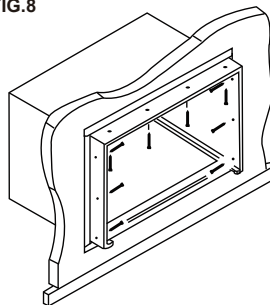


FIG.8



6. Instale el chasis en la carcasa siguiendo todos los pasos descritos en el punto 9 de Montaje en ventanas.  
OPCIONAL: Es posible que necesite rellenar con masilla y recortarla en el interior. Puede comprar madera en su aserradero o ferretería local. En el exterior, enmasille las ranuras junto a la parte superior y las laterales de la carcasa, y en todas las juntas de madera de la apertura.



## NOTA:

- Vea en el punto 5, paso 4 de Montaje en ventanas las instrucciones para instalar la junta del rail inferior.

## Construcción en mampostería

1. Abra o construya una apertura en la pared de mampostería similar a la construcción del marco (consulte el paso 2 de 'Instalación en muros' para una pared más gruesa de 8-1/2").
2. Asegure la carcasa en su sitio utilizando clavos de mampostería, o tornillos de anclaje adecuados para mampostería. (Otra forma de asegurar la carcasa es fabricar un marco en el muro tal como se muestra en la Fig.3 del paso 3 de 'Prepare el muro'. Ancle firmemente el marco al muro de mampostería). De este modo se consigue una amplitud muy buena para las rejillas en ambos lados de la carcasa.
3. Instale un dintel para soportar el muro por encima de la carcasa. Pueden usarse los agujeros existentes en la propia carcasa y además otros pueden realizarse para ajustarla en varias posiciones. Asegúrese de mantener la holgura adecuada para las rejillas laterales de acuerdo al punto 1 en 'Seleccione la ubicación en la pared'
4. Instale las escuadras de soporte de la carcasa en el exterior de acuerdo al paso 3 en Montaje en muros. Enmasille o rellene si es necesario, para conseguir un sellado resistente al agua alrededor de las partes superior y laterales de la carcasa.
5. Para completar la instalación, aplique un moldeado recortado de madera alrededor del lado interior de la carcasa.



# Instructions d'installation

Pour climatiseur à moyen (15,000-18,500 BTU) et haut rendement (22,000-28,500 BTU)  
**LIRE AVANT D'INSTALLER L'UNITÉ**

## AVERTISSEMENTS D'INSTALLATION ET ATTENTION

- \* Lisez attentivement le manuel d'installation avant de commencer.
  - \* Suivez chaque étape comme indiqué.
  - \* Respectez tous les codes électriques locaux, fédéraux et nationaux à l'aide de personnel qualifié, licencié et autorisé uniquement.
  - \* Prêtez attention aux avis de danger et de sécurité.
- Pour éviter le risque de blessures à la personne, de dommages à la propriété ou de dommages au produit dû au poids de cet appareil et aux bords tranchants qui peuvent être exposés :
- \* Les climatiseurs couverts dans ce manuel posent un risque de poids excessif. Deux personnes ou plus sont nécessaires pour déplacer et installer l'unité. Portez des gants de protection à chaque fois que vous soulevez ou portez l'unité. ÉVITEZ les ailettes métalliques tranchantes sur les serpents avant et arrière. Pour empêcher les blessures ou les tensions, utilisez des techniques appropriées pour soulever et porter lors du déplacement de l'unité.
  - \* Inspectez avec précaution l'emplacement d'installation du climatiseur. Assurez-vous qu'il supportera le poids de l'unité pendant un période prolongée.
  - \* Manipulez le climatiseur avec précaution.
  - \* Assurez-vous que le climatiseur ne tombe pas durant l'installation.
  - \* Si une nouvelle prise électrique est requise, faite installer la prise par un électricien qualifié avant d'installer l'appareil.

**REMARQUE : N'UTILISEZ PAS DE VIS AUTRES QUE CEUX SPÉCIFIÉS ICI.**

### Instructions préliminaires :

Procédez comme suit pour commencer l'installation de l'appareil.

Voir les illustrations ci-dessous.

Vérifiez les dimensions de votre unité pour déterminer le type de modèle :

	Haut rendement	Moyen rendement
Capacité :	22,000-28,500 BTU	15,000-18,500 BTU
Hauteur de l'appareil :	18-5/8"	17-5/8"
Largeur de l'appareil :	26-1/2"	23-5/8"
Ouverture de fenêtre min :	19-1/2"	18-1/2"
Largeur de fenêtre min :	31"	26-1/2"
Largeur de fenêtre max :	42"	40-1/2"

**1. Vérifier la taille d'ouverture de la fenêtre :** les pièces d'installation fournies avec ce climatiseur sont conçues pour l'installation dans une fenêtre à guillotine à deux châssis mobiles. Les pièces standard sont destinées aux dimensions de fenêtres indiquées ci-dessus. Ouvrez le châssis à un minimum de 483 mm (19"). (FIG.1) Il doit y avoir au moins 11,8 pouces (300 mm) d'espace autour de l'appareil. L'appareil avec résistance électrique doit disposer d'au moins 1 mètre d'espace par rapport aux matériaux combustibles.

**2. Vérifiez la condition de la fenêtre :** toutes les pièces en bois doivent être en bon état et pouvoir être maintenu fermement les vis nécessaires. Sinon, effectuez des réparations avant d'installer l'unité.

**3. Vérifiez vos contre-fenêtres :** si votre contre-fenêtre ne permet le dégagement requis, corriger en ajoutant une pièce en bois comme illustré (FIG.2), ou en supprimant la contre-fenêtre pendant l'installation du conditionneur d'air de pièce.

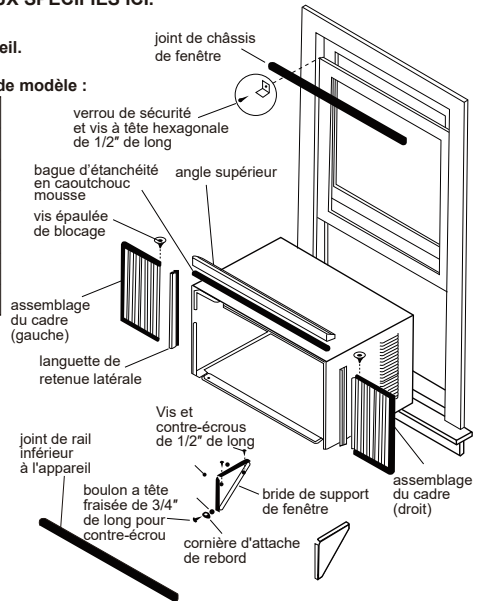


FIG.1

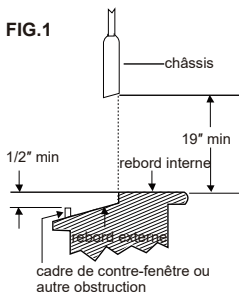
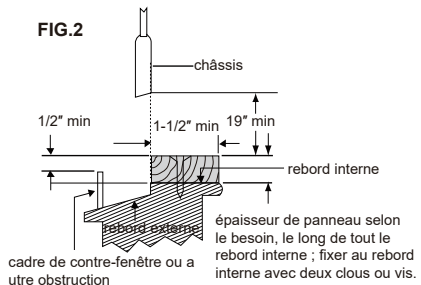


FIG.2



# Instructions d'installation

## 4. Vérifiez que rien ne bloque le flux d'air

Vérifiez que l'extérieur de la fenêtre ne contient pas d'arbuste, d'arbre, de marquise, et l'intérieur de meuble, tenture, ou de store qui bloqueront le flux d'air.

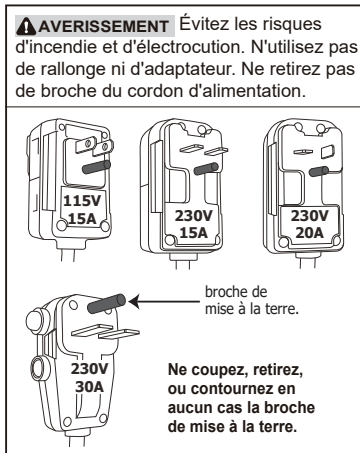
## 5. Vérifiez le service électrique disponible

L'alimentation électrique doit être identique à celle indiquée sur la plaque signalétique de l'appareil. (Voir le Manuel d'utilisation et d'entretien pour l'emplacement de la plaque signalétique.) Le cordon d'alimentation est de 48" de long. Assurez-vous d'avoir une prise à proximité.

Tous les modèles ont une fiche de service à 3 broches et une mise à la terre positive sécurisée. Ne modifiez la fiche en aucune façon. N'utilisez pas de d'adaptateur de fiche. Si votre prise murale actuelle ne correspond pas à votre fiche, appelez un électricien qualifié pour effectuer les modifications nécessaires.

## 6. Déballage avec précaution le climatiseur

Retirez tous les matériaux d'emballage. Protégez le sol ou autre surface plane stable avec une couverture pour empêcher de rayer l'appareil. Avec l'aide d'un assistant, retirez l'appareil de la base en mousse de polystyrène et posez-le sur une surface protégée. Déplacez et installez l'appareil avec l'aide d'un assistant. Conservez la boîte d'emballage et d'expédition pour le stockage futur de l'appareil.



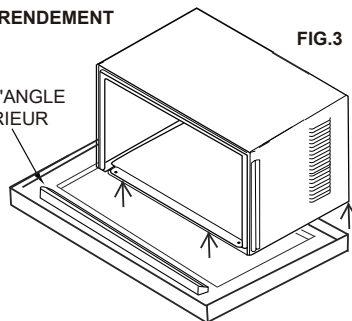
Le kit d'accessoires contient	
● Sac pour quincaillerie (expédié à l'intérieur brides de support de fenêtre)	● Bague d'étanchéité en caoutchouc mousse
● Bride de support de fenêtre (2)	● Joint de châssis de fenêtre
● Languette de retenue latérale (2)	● Joint de rail inférieur
● Panneau de remplissage de fenêtre (2)	● Joint d'étanchéité pour armoire
* Modèle à MOYEN rendement uniquement. Le rail d'angle supérieur pour HAUT rendement dans l'emballage de base en carton (FIG.3)	* Rail d'angle supérieur

Outils requis	
● un large tournevis à lame plate	● ruban gradué
● clé ou pince réglable	● crayon
● niveau	● Clé à douille
● tournevis Phillips	

## HAUT RENDEMENT

FIG.3

### RAIL D'ANGLE SUPÉRIEUR



Quincaillerie (dans sac en plastic)	Qté.	Quincaillerie (dans sac en plastic)	Qté.
	2 ensemble		2
	7		10
	1		2
	4 ensemble		2
	2 ensemble		5
	2		1 ensemble

# Instructions d'installation

## Installation pour fenêtre

### 1 Retirer le climatiseur du boîtier

REMARQUE : Retirez tout matériel d'emballage de l'extérieur du boîtier.

1. Tirez vers le bas la grille avant depuis le bord supérieur. Soulevez la grille avant et placez-la sur le côté. (Voir FIG.1)
2. Retirez le filtre. Pour retirer, saisissez par le milieu sur chaque côté. Inclinez le filtre pour détacher le bord supérieur des languettes. Une fois le haut libéré, soulevez le filtre et sortez-le.

FIG.1

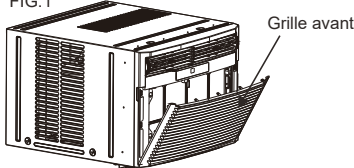
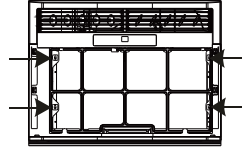


FIG.2



3. Localisez les quatre vis du panneau avant et retirez-les. Ces vis seront nécessaires pour réinstaller le panneau avant plus tard (voir FIG.2).
4. Poussez le boîtier métallique vers l'intérieur pour libérer les languettes en plastique sur chaque côté du panneau avant (voir FIG. 3).
5. Tournez le panneau avant vers le haut jusqu'à ce que les languettes se libèrent. Sortez le panneau directement. Lorsque vous le sortez, le panneau avant se libérera également du levier d'aérateur. Abaissez le loquet sur la fiche électronique (sur certains modèles) pour débrancher.
6. Retirez le panneau avant de l'unité (voir Fig. 4).

FIG.3

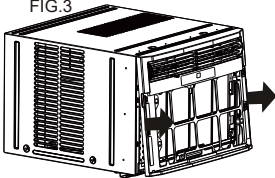
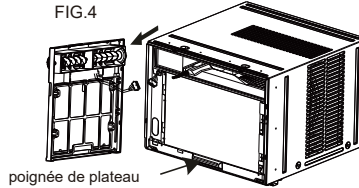


FIG.4



7. Retirez les vis d'expédition du haut de l'unité et du côtés depuis la base si installé. Ces vis seront nécessaires pour la réinstallation ultérieure (Voir FIG.5)
8. Avec l'aide d'un assistant, maintenez le boîtier lorsque vous tirez sur la poignée de plateau (voir FIG. 4), et retirez avec précaution le climatiseur du boîtier.
9. Ajoutez deux fiches en mousse en haut du boîtier d'où les vis d'expédition ont été retirées. (Voir FIG.6)
10. Excepté 22000BTU modèle, d'autres modèles à haut rendement (24,000~28,500 BTU) sont fournis avec un emballage d'expédition interne. CET EMBALLAGE ET FIL EN PLASTIC D'ATTACHE DOIVENT ÊTRE RETIRÉS AVANT L'INSTALLATION DU CLIMATISEUR DANS LE CABINET. (Voir FIG.7)
11. Retirez la bande en plastique de tous les points sur le cordon d'alimentation.

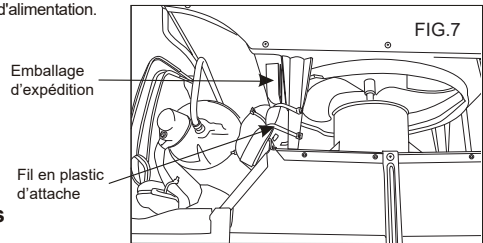
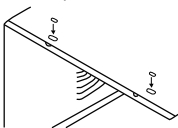
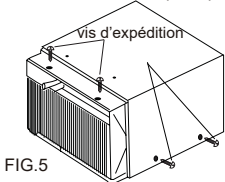


FIG.5

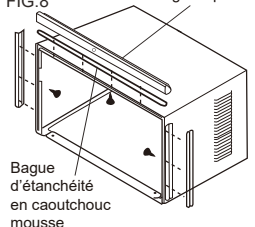
FIG.6

FIG.7

### 2 Installer le rail d'angle supérieur et les languettes de retenue latérales

1. Retirez la bande adhésive de la bague d'étanchéité en caoutchouc mousse. Attachez le côté adhésif de la bague au bas du rail d'angle supérieur. Insérez quatre 5/16" vis de l'intérieur du boîtier et fixez fermement au rail d'angle supérieur.
2. De l'intérieur du cabinet insérez trois 5/16" vis pour attacher chaque languette de retenue latérale comme illustré dans la Fig. 8. Fixez les languettes de retenue latérales avec le côté plat contre le boîtier et le bord incliné vers l'arrière du boîtier.

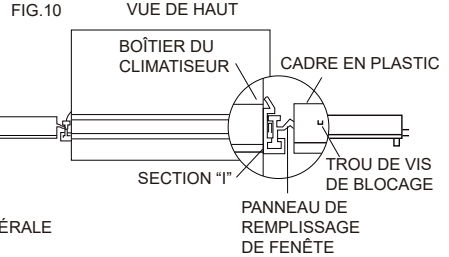
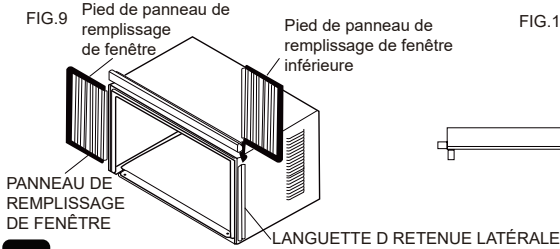
FIG.8



### 3 Assembler les boucliers de fenêtre

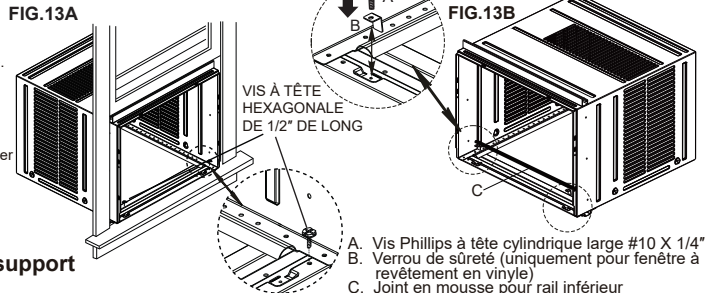
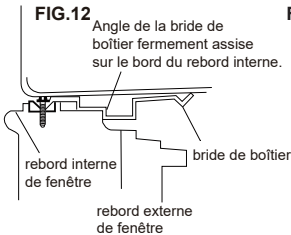
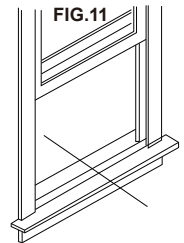
1. Placez le boîtier sur le sol, un banc ou une table.
2. Glissez la section "I" à l'extrémité du panneau de remplissage<sup>2</sup> de fenêtre dans la languette latérale sur chaque côté du boîtier (voir FIG. 9 et FIG.10).
3. Sur chaque côté du boîtier, insérez les pieds supérieurs et inférieurs du panneau de remplissage dans les rails supérieur et inférieur.
4. Insérez une vis de blocage et une rondelle plate de 7/16" dans le trou en haut du pied supérieur de chaque panneau de remplissage de fenêtre (voir la section 6). Ne serrez pas totalement. ermettez au pied de glisser librement. Les vis seront serrez après la Section 6.

# Instructions d'installation



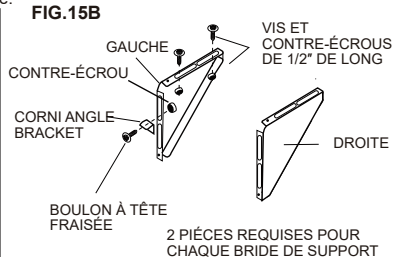
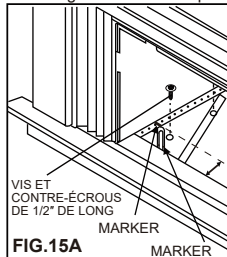
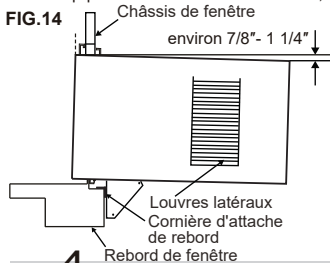
## 4 Placez le boîtier dans la fenêtre

- Ouvrez la fenêtre et marquez le centre du rebord interne de fenêtre comme illustré (FIG. 11).
- Placez le boîtier dans la fenêtre avec la bride assise fermement sur le bord du rebord interne comme illustré dans la FIG. 12. Baissez la fenêtre temporairement derrière le rail derrière d'angle supérieur pour maintenir le boîtier en place.
- Déplacez le boîtier vers la gauche ou la droite selon le besoin pour aligner le centre du cabinet sur la ligne centrale marquée sur le rebord interne.
- Pour les fenêtres en bois :** Attachez le boîtier interne au rebord interne de fenêtre avec deux vis à tête hexagonales longues de 1/2" dans les trous (FIG. 13A). (vous pouvez souhaiter percer préalablement des trous de départ.)  
**Pour les fenêtres à revêtement en vinyle :** placez deux verrous de sûreté en bas du boîtier et enfoncez deux vis de blocage Phillips à tête cylindrique large #10X1/4" à travers l es verrous de sûreté comme illustré (FIG. 13B).
- Retirez la bande protectrice du côté adhésif du joint en mousse de rail inférieur. Appliquez le joint sur les vis en serrant le rail inférieur au rebord interne de fenêtre.



## 5 Installer la bride de support

- Maintenez chaque bride de support contre l'extérieur du rebord, et serrez au bas du boîtier. Marquez les brides au niveau supérieur du rebord. Marquez le bas du boîtier à distance de la largeur de rebord. Voir la Fig. 15 A. Retirez les brides de rebord.
- Fixez la cornière de rebord aux brides de support aux positions marquées avec des boulons et écrous à tête plate. Serez à la main uniquement à ce point. Voir la Fig. 15B.
- Insérez des boulons longs de 1/2" à travers les trous appropriés dans le bas du boîtier étant donné la distance de largeur de rebord. Filetez les boulons dans les fentes des brides de support. Serrez les rondelles d'écrou de blocage aux boulons.
- Ajustez la hauteur de la cornière de rebord afin qu'elle repose fermement sur le bord du rebord, et que le boîtier ait l'inclinaison vers le bas correct de 7/8" à 1 1/4" pour un écoulement d'eau approprié (incliné de 2 à 4 degrés vers le bas à l'extérieur, voir la Fig. 14). Serrez les écrous fermement. Après une installation adéquate, le condensat ne doit pas s'écouler de l'orifice d'évacuation de trop-plein durant l'utilisation normale, sinon corrigez à nouveau la pente.



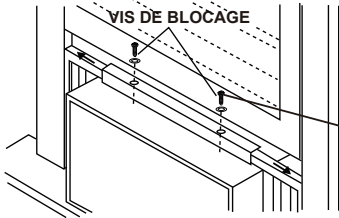


# Instructions d'installation

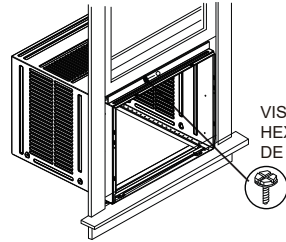
## 6 Étendre les panneaux de remplissage de fenêtre et attacher au rail d'angle supérieur :

1. Soulevez avec précaution la fenêtre pour exposer les vis de blocage du panneau de remplissage sur le rail d'angle supérieur. Desserrez les vis afin que le panneau de remplissage glisse facilement.
2. Étendez les panneaux pour remplir l'ouverture de fenêtre complètement. Serrez les vis de blocage en haut (FIG. 16).
3. Fermez la fenêtre derrière le rail d'angle supérieur.
4. Attachez le rail d'angle supérieur au cadre de fenêtre : utilisez un foret de 3/32" pour percer un trou à travers le trou au milieu du rail d'angle supérieur dans le cadre de fenêtre, et enfoncez un vis de blocage à TÊTE HEXAGONALE à travers le trou au milieu du rail d'angle supérieur dans le cadre de fenêtre comme illustré (FIG. 17).

FIG.16



Vis de blocage et rondelle de 7/16"



VIS À TÊTE HEXAGONALE DE 1/2" DE LONG

## 7 Attacher les panneaux de remplissage de fenêtre au cadre de fenêtre

1. Étendez les panneaux de remplissage contre le cadre de fenêtre.
2. Utilisez un foret de 1/8" pour percer un trou de départ dans le pied supérieur de chaque panneau de remplissage de fenêtre et dans le châssis de fenêtre (Fig. 18A et Fig. 18B). Connectez avec une vis de 10x1/2".

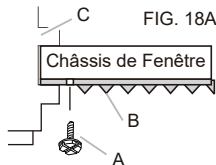


FIG. 18A

- A. Vis à tête ronde #10 X 1/2"
- B. Pied supérieur de panneau de remplissage de fenêtre gauche
- C. Canal de fenêtre

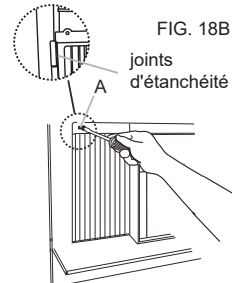


FIG. 18B

joints d'étanchéité

A. Vis à tête ronde #10 X 1/2"

## 8 Installer le joint de châssis et le verrou de sûreté de fenêtre

1. Coupez le joint de châssis de fenêtre pour correspondre à la largeur de fenêtre. Insérez-le dans l'espace entre les châssis supérieur et inférieur comme illustré (FIG. 19).
2. Attachez le verrou de sûreté à angle droit au châssis de fenêtre supérieur comme illustré (FIG.20).
3. Si nécessaire, découpez les joints d'étanchéité à la longueur nécessaire, décollez le dos protecteur et utilisez-les pour boucher tous les trous. Voir la Fig. 18B.

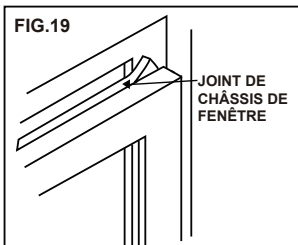


FIG.19

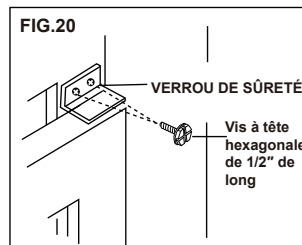


FIG.20

VERROU DE SÛRETÉ

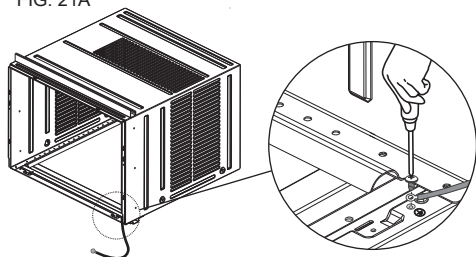
Vis à tête hexagonale de 1/2" de long

# Instructions d'installation

## 9 Installer le climatiseur dans le boîtier et installer le panneau avant sur l'appareil

1. Fixez une extrémité du câble de mise à la terre sur l'armoire avec une vis #M4x8-Z (FIG.21A).

FIG. 21A



2. Soulevez le climatiseur et glissez-le avec précaution dans le boîtier.

**ATTENTION : ne poussez pas sur les commandes OU les serpentins à ailettes.**

3. Vérifiez que le climatiseur est fermement assis vers l'arrière du boîtier. Réinstallez les vis de transport retirées à l'étape 1.

4. Fixez l'autre extrémité du fil de mise à la terre dans le coin inférieur droit de l'appareil. Rebranchez la fiche électronique si présente. Positionnez le levier d'aérateur afin qu'il s'enfile dans son canal dans le panneau avant (voir FIG.21). Accrochez les languettes supérieures de panneau avant dans les fentes sur le haut du boîtier, et tournez le panneau avant vers le bas afin que les languettes latérales se fixent en place sur le boîtier. Insérez les 4 vis précédemment retirées à travers le panneau avant et dans le climatiseur.

5. Insérez le filtre de climatiseur. Réinstallez la grille avant en accrochant les languettes inférieures aux fentes en bas du panneau avant, puis en tournant la grille vers le haut pour se fixer en place.

FIG. 21B

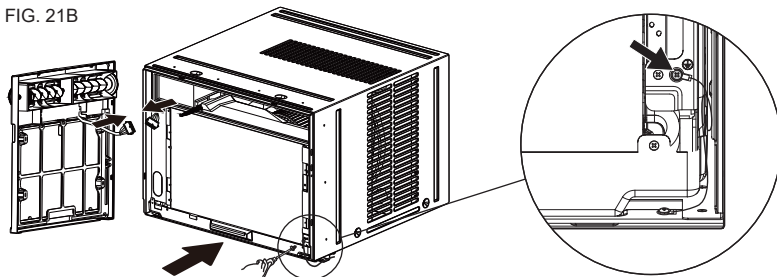
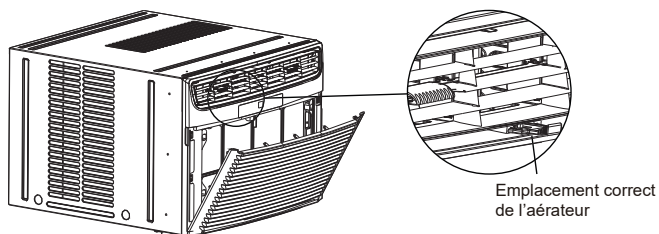


FIG. 21C



# Instructions d'installation

## Installation à travers le mur

### REMARQUE :

- Consultez les codes de bâtiment locaux avant l'installation, ou un menuisier qualifié.

### 1 Sélectionner l'emplacement mural

Ce climatiseur glisse hors de son boîtier, afin qu'il puisse être installé à travers un mur extérieur comme indiqué ci-dessous.

	Haut rendement	Moyen rendement
Épaisseur de mur maximale	10"	8"

### REMARQUE :

- **IMPORTANT** : les louveres latérales ne doivent pas être bloqués.
- Toutes les pièces nécessaires pour l'installation à travers le mur sont fournies, sauf un cadre en bois, les cales et 10 vis à bois (#10-1" de long au minimum). Choisissez une surface murale qui :
  1. Ne supporte pas les charges structurelles principales telles que la construction à pans de bois aux extrémités des fenêtres et sous les points de poutre, etc.
  2. N'a pas de plomberie ou de câblage à l'intérieur.
  3. Se situe à côté de prises électriques existantes, ou là où une autre prise peut être installée.
  4. Fait face à la zone à refroidir, et n'est pas bloquée.
  5. Permet un flux d'air non bloquée des côtés arrière et de l'extrémité (extérieur) du climatiseur installé.

### 2 Préparer le mur

1. Préparez le mur dans la construction à pans de bois (y compris la brique et le placage de stuc). En travaillant de l'intérieur de la pièce, trouvez le poteau de cloison le plus près du centre de la zone où le climatiseur sera installé (en faisant résonner le mur, ou en trouvant des clous magnétiquement).
2. Faites un trou de chaque côté du poteau de central.
3. Mesurez entre les bords intérieurs de chaque autre poteau come illustré dans la FIG.1. Mesure avec précaution et wcoupez une ouverture avec les dimensions suivantes selon votre modèle. Voir FIG.1 et FIG.2.  
HAUTEUR "X" = largeur interne du modèle plus deux fois l'épaisseur du matériel de charpente utilisé.  
HAUTEUR "Y" = hauteur interne du modèle plus deux fois l'épaisseur du matériel de charpente utilisé.

	Haut rendement	Moyen rendement
Capacité :	22,000~28,500BTU	15,000~18,500BTU
Hauteur de cadre interne :	18-7/8" (47.9 cm)	18" (45.7 cm)
Largeur de cadre interne :	26-3/4" (67.9 cm)	23-7/8" (60.6 cm)

FIG.1

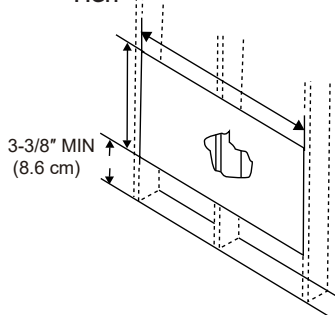
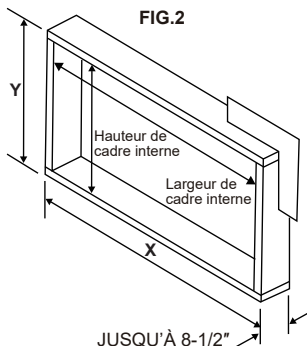


FIG.2

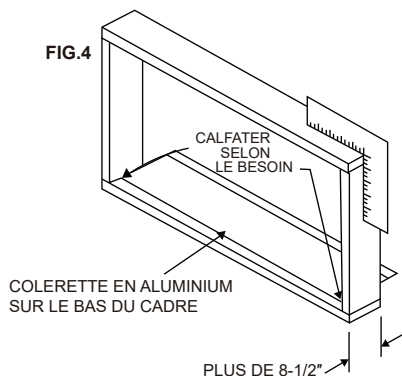
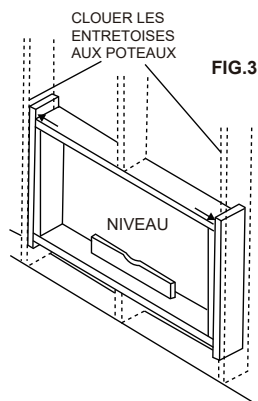


# Instructions d'installation

4. Construisez une croisée en bois avec les dimensions INTERNES de votre modèle indiquées ci-dessus. (Rappelez-vous de mesurer deux fois...) La profondeur de cadre doit être la même que l'épaisseur de mur. Remplissez l'espace des ouvertures aux poteaux avec des entretoises en bois, comme illustré.
5. Clouez le cadre aux entretoises aux entretoises à avant encastrés à la cloison sèche.

## REMARQUE :

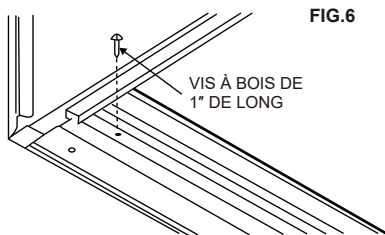
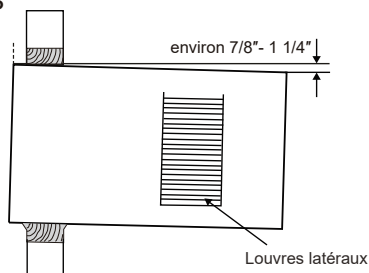
- Si l'épaisseur de mur est de 8-1/2" ou plus, ajoutez une collerette en aluminium sur le bas de l'ouverture de cadre pour assurer que l'eau ne peut pas pénétrer la zone entre le mur interne et le contre-mur.



## 3 Préparer et installer le boîtier

1. Glissez le climatiseur hors du boîtier ; reportez-vous à l'étape 1 de l'Installation pour fenêtre.
2. Placez le boîtier dans l'ouverture avec le rail inférieur reposant fermement sur le panneau inférieur de la croisée en bois.
3. Positionnez le boîtier pour obtenir une inclinaison vers le bas appropriée pour la suppression d'eau. L'appareil doit être incliné vers l'arrière de 7/8" à 1 1/4" pour un écoulement d'eau approprié. (Voir la FIG.5 ci-dessous.)
4. Sécurisez le rail inférieur à la croisée en bois avec deux vis à bois larges de 2,5 cm (1") à l'aide de deux trous dans le bas du canal reposant sur la croisée. (Voir la FIG.6 suivante)

FIG.5



Reportez-vous à l'étape 5 de l'installation pour fenêtre pour l'assemblage des brides de support. Clouez une bande en bois au contre-mur pour que la cornière de support de rebord se repose dessus. Voir la Fig. 7.

5. Vissez ou clouez la croisée à bois du boîtier avec des cales selon le besoin pour éliminer la distorsion. Voir la Fig. 8. Rappelez-vous de maintenir la pente appropriée comme décrit dans l'étape 3.

# Instructions d'installation

FIG.7

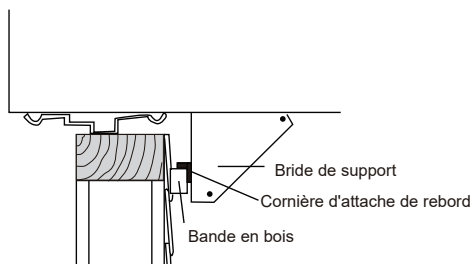
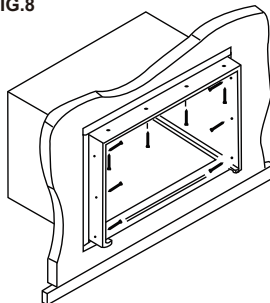


FIG.8



6. Installez le climatiseur dans le boîtier en suivant les étapes dans l'étape 9 de l'Installation pour fenêtre.  
FACULTATIF : le calfatage et l'installation de boiserie sur le mur interne peuvent être effectuées. Vous pouvez acheter du bois de chez votre bûcheron local ou quincaillerie. À l'extérieur, calfeztes les ouvertures autour des côtés supérieur et inférieur du boîtier, et tous les côtés de la gaine en bois à l'ouverture.

## REMARQUE :

- Voir l'étape 5, élément 4 des Instructions d'installation pour fenêtre pour l'emplacement du joint de rail inférieur.

## Ouvrage de maçonnerie

1. Coupez ou construisez une ouverture de mur dans le mur en maçonnerie semblable à la construction à pans de bois (reportez-vous à l'étape 2 de l'Installation à travers le mur pour une épaisseur de mur supérieure à 8-1/2").
2. Sécurisez le boîtier en place à l'aide des clous de maçonnerie, ou les bonnes vis d'ancrage de maçonnerie. (Une autre façon de faire ceci est de construire un cadre dans la maçonnerie comme illustré dans la Fig. 3 de l'étape 2 de Préparer le mur. Le cadre doit être fermement ancré à au mur en maçonnerie. Cette façon offre un très bon dégagement de louver sur chaque côté du boîtier.)
3. Installez un linteau pour soutenir le mur en maçonnerie au dessus du boîtier. Les trous existants dans le boîtier peuvent être utilisés et/ou des trous supplémentaires peuvent être percés pour attacher le boîtier à diverses positions. Assurez-vous que le dégagement de louver latéral est en conformité avec l'étape 1 Sélectionner l'emplacement du mur.
4. Installez les brides de support de boîtier extérieures comme illustré dans l'étape 3 de l'Installation à travers le mur. Calfater ou barber si nécessaire, pour fournir un joint étanche autour des côtés supérieur et inférieur du boîtier.
5. Pour terminer l'installation, appliquez un moulage de cale en bois autour de la projection latérale de pièce du boîtier.





