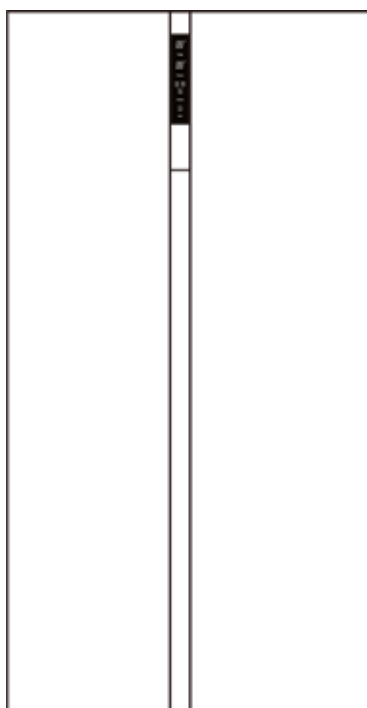




Model / Modelo / Modelé:	FFS157L3S
REFRIGERATOR / FREEZER REFRIGERADOR / CONGELADOR RÉFRIGÉRATEUR / CONGÉLATEUR	INSTRUCTION MANUAL MANUAL DE INSTRUCCIONES MANUEL D'INSTRUCTIONS



BEFORE USE, PLEASE READ AND FOLLOW ALL SAFETY RULES AND OPERATING INSTRUCTIONS.

Avanti has a policy of continuous improvement on its products and reserves the right to change materials and specifications without notice.

**Avanti Products LLC
P.O. Box 520604
Miami, FL 33152
www.avantiproducts.com**

TABLE OF CONTENTS

Appliance Safety	3
Important Safeguides	4
Help Us Help You	5
Parts and Features	6
Important Safety Instructions	7
Installation Instructions	7
Before Using Your Appliance	7
Installation of Your Appliance	7
Electrical Connection	8
Operating Your Appliance	9 – 10
Care and Maintenance	11
Cleaning Your Appliance	11
Power Failure / Vacation Time, Moving Your Appliance	11
Energy Saving Tips	11
Troubleshooting Guide	12
Service for Your Appliance	13
Your Avanti Products Warranty	14
Instrucciones en Español	15 – 25
Instructions en Français	26 - 37
Registration Information and Registration Card	Last Page

APPLIANCE SAFETY

Your safety and the safety of others are very important.

We have provided many important safety messages in this manual and on your appliance. Always read and obey all safety messages.



This is the Safety Alert Symbol. This symbol alerts you to potential hazards that can kill or injure you and others.

All safety messages will follow the Safety Alert Symbol and either the words "DANGER", "WARNING" or "CAUTION".



Danger means that failure to heed this safety statement may result in severe personal injury or death.



Warning means that failure to heed this safety statement may result in extensive product damage, serious personal injury, or death.



Caution means that failure to heed this safety statement may result in minor or moderate personal injury, or property or equipment damage.

All safety messages will alert you to what the potential hazard is, tell you how to reduce the chance of injury, and let you know what can happen if the instructions are not followed.



PROP. 65 WARNING FOR CALIFORNIA RESIDENTS

WARNING:

Cancer and Reproductive Harm

www.p65warnings.ca.gov

REFRIGERANT GAS WARNINGS

- DANGER - Risk of fire or explosion. Flammable refrigerant used. DO NOT use mechanical devices to defrost refrigerator. DO NOT puncture refrigerant tubing.**
- DANGER - Risk of fire or explosion. Flammable refrigerant used. To be repaired only by trained service personnel. DO NOT puncture refrigerant tubing.**
- CAUTION - Risk of fire or explosion. Flammable refrigerant used. Consult repair manual / owner's guide before attempting to service this product. All safety precautions must be followed.**
- CAUTION - Risk of fire or explosion. Dispose of property in accordance with federal or local regulations. Flammable refrigerant used.**
- CAUTION - Risk of fire or explosion due to puncture of refrigerant tubing; Follow handling instructions carefully. Flammable refrigerant used.**

IMPORTANT SAFEGUARDS



Before the beverage cooler is used, it must be properly positioned and installed as described in this manual, so read the manual carefully. To reduce the risk of fire, electrical shock or injury when using the beverage cooler, follow basic precautions, including the following:

! DANGER !

- Plug into a grounded 3-prong outlet, do not remove grounding prong, do not use an adapter, and do not use an extension cord
- Replace all panels before operating
- It is recommended that a separate circuit, serving only your beverage cooler, be provided. Use receptacles that cannot be turned off by a switch or pull chain
- Never clean appliance parts with flammable fluids. These fumes can create a fire hazard or explosion. And do not store or use gasoline or other flammable vapors and liquids in the vicinity of this or any other appliance. The fumes can create a fire hazard or explosion.
- Before proceeding with cleaning and maintenance operations, make sure the power line of the unit is disconnected.
- Do not connect or disconnect the electric plug when your hands are wet
- Unplug the appliance or disconnect the power before cleaning or servicing. Failure to do so can result in electrical shock or death.
- Do not attempt to repair or replace any part of your appliance unless it is specifically recommended in this material. All other servicing should be referred to a qualified technician.

! WARNING !

- Use two or more people to move and install the appliance. Failure to do so can result in back or other injury.
- To ensure proper ventilation for your appliance, the unit must be completely unobstructed. Choose a well-ventilated area with temperatures above 55°F (13°C) and below 90°F (32 °C). This unit must be installed in an area protected from the elements, such as wind, rain, water spray or sunlight.
- The appliance should not be located next to ovens, grills or other sources of high heat.
- The appliance must be installed with all electrical, water and drain connections in accordance with state and local codes. A standard electrical supply (115 V AC only, 60 Hz), properly grounded in accordance with the National Electrical Code and local codes and ordinances is required.
- Do not kink or pinch the power supply cord of the appliance.
- The fuse (or circuit breaker) size should be 15 amperes.
- It is important for the appliance to be leveled in order to work properly. You may need to make several adjustments to level it.
- All installation must be in accordance with local plumbing code requirements.
- Make certain that the pipes are not pinched or kinked or damaged during installation.
- Check for leaks after connection.
- Never allow children to operate, play with or crawl inside the appliance
- Do not use solvent-based cleaning agents or abrasives on the interior. These cleaners may damage or discolor the interior.
- Do not use this apparatus for other than its intended purpose.

HELP US HELP YOU...

Read this guide carefully.

It is intended to help you operate and maintain your new appliance properly.

Keep it handy to answer your questions. If you don't understand something or you need more help, please call:

**Avanti Customer Service
800-220-5570**

Keep proof of original purchase date (such as your sales slip) with this guide to establish the warranty period.

CAUTION:

**THIS APPLIANCE IS NOT
DESIGNED FOR THE
STORAGE OF MEDICINE OR
OTHER MEDICAL
PRODUCTS.**

Write down the model and serial numbers.

You'll find them on a plate located on the rear outside wall of the appliance.

Please write these numbers here:

Date of Purchase

Model Number

Serial Number

Use these numbers in any correspondence or service calls concerning your appliance.

If you received a damaged appliance, immediately contact the dealer (or builder) that sold you the appliance.

Save time and money. Before you call for service, check the Troubleshooting Guide. It lists causes of minor operating problems that you can correct yourself.

IF YOU NEED SERVICE

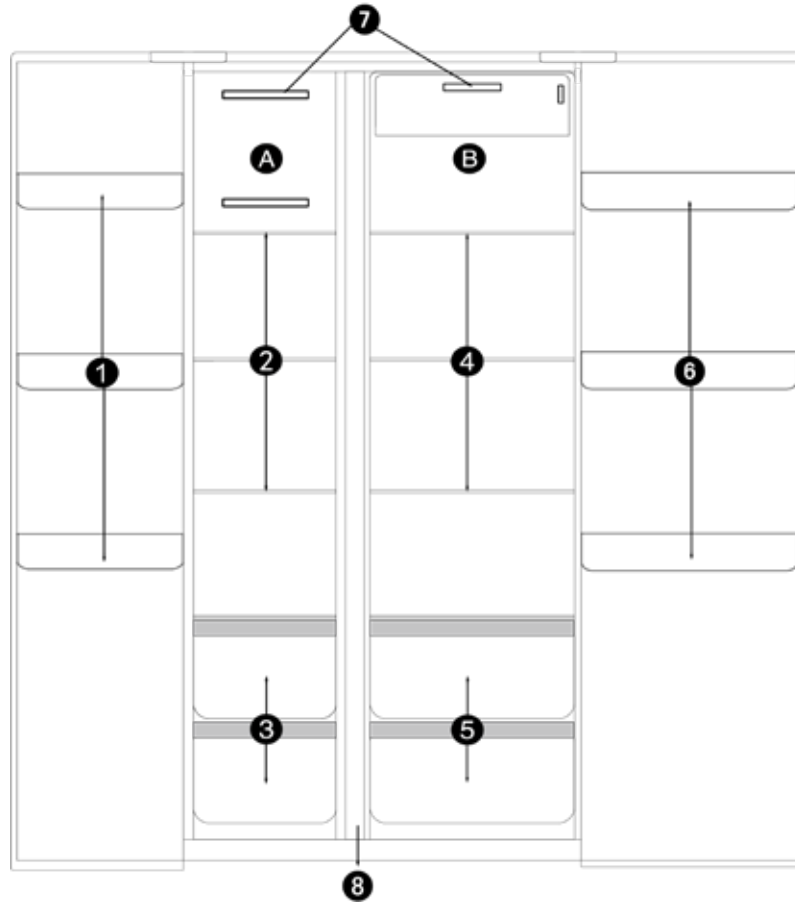
We're proud of our service and want you to be pleased. If for some reason you are not happy with the service you receive, here are some steps to follow for further assistance.

FIRST, contact the people who serviced your appliance. Explain why you are not pleased. In most cases, this will solve the problem.

NEXT, if you are still not pleased, write all the details, including your telephone number, and send it to:

**Customer Service
Avanti Products
10880 NW 30 Street
Miami, FL 33172 USA**

PARTS AND FEATURES



1	(3) Three Freezer Door Bins	5	(2) Two Vegetable Crispers with Glass Cover
2	(3) Three Freezer Shelves	6	(3) Three Refrigerator Door Bins
3	(2) Two Freezer Drawers with Glass Cover	7	LED Interior Lighting in Each Section
4	(3) Three Refrigerator Shelves	8	Section Separator

**** Note**

The section separator area contains an Anti-Condensation heater and will be warm to the touch during the Anti-Condensation cycle to prevent condensation forming between the two sections.

IMPORTANT SAFETY INSTRUCTIONS

<p>~ WARNING ~</p>	<p>To reduce the risk of fire, electrical shock, or injury when using your refrigerator-freezer, follow these basic precautions:</p>
<ul style="list-style-type: none"> • Read all instructions before using the refrigerator-freezer. • DANGER or WARNING: Risk of child entrapment. Child entrapment and suffocation are not problems of the past. Junked or abandoned refrigerator-freezers are still dangerous. . . even if they will “just sit in the garage a few days.” • Before you throw away your old refrigerator-freezer: Take off the doors. Leave the shelves in place so that children may not easily climb inside. • Never allow children to operate, play with, or crawl inside the refrigerator-freezer. • Never clean refrigerator-freezer parts with flammable fluids. The fumes can create a fire hazard or explosion. • Do not store or use gasoline or any other flammable vapors and liquids in the vicinity of this or any other refrigerator-freezer. The fumes can create a fire hazard or explosion. <p style="text-align: center;">-Save these instructions-</p>	

INSTALLATION INSTRUCTIONS

∅ **Before Using Your Appliance**

- I Remove the exterior and interior packing.
- I Check to be sure you have all the following parts:

I 3 Refrigerator Shelves	I 3 Freezer Shelves (Glass)
I 2 Vegetable Crispers	I 2 Freezer Drawer Bins
I 1 Glass Crisper Cover	I 1 Glass Drawer Cover
I 6 Door Bins (3 Each Section)	I 1 Instruction Manual

- Before connecting the unit to the power source, let it stand upright for approximately 2 hours. This will reduce the possibility of a malfunction in the cooling system from handling during transportation.
- Clean the interior surface with lukewarm water using a soft cloth.

∅ **Installation of Your Appliance**

- Place your refrigerator-freezer on a floor that is strong enough to support the refrigerator-freezer when it is fully loaded. To level your refrigerator-freezer, adjust the leveling legs at the bottom of unit.
- **ALLOW 3-5 INCHES OF SPACE BETWEEN THE BACK AND THE WALL AS WELL AS A MINIMUM OF ½” (HALF INCH) AT EACH SIDE OF THE UNIT AND ONE (1) INCH AT THE TOP, WHICH ALLOWS THE PROPER AIR CIRCULATION TO COOL THE COMPRESSOR AND CONDENSER.**

Minimum Space Allowances	
Top	One (1.0) Inch
Sides	Half Inch (½) Inch each side
Back	Three to Five (3 – 5) Inches at the back

- Locate the unit away from direct sunlight and sources of heat (stove, heater, radiator, etc.). Direct sunlight may affect the acrylic coating and heat sources may increase electrical consumption. Extreme cold ambient temperatures may also cause the refrigerator-freezer not to perform properly.
- Avoid locating the unit in moist areas.
- Plug the unit into an exclusive properly installed-grounded wall outlet. Do not under any circumstances cut or remove the third (ground) prong from the power cord. Any questions concerning power and/or grounding should be directed toward a certified electrician or an authorized Avanti Products service center.

Electrical Connection

~ Warning ~

Improper use of the grounded plug can result in the risk of electrical shock. If the power cord is damaged, have it replaced by an authorized Avanti Products service center.

This appliance should be properly grounded for your safety. The power cord of this appliance is equipped with a three-prong plug which mates with standard three prong wall outlets to minimize the possibility of electrical shock.

Do not under any circumstances cut or remove the third ground prong from the power cord supplied.

This appliance requires a standard 115Volts~/60Hz electrical outlet with three-prong ground.

The cord should be secured behind the appliance and not left exposed or dangling to prevent accidental injury.

Never unplug the appliance by pulling the power cord. Always grip the plug firmly and pull straight out from the receptacle.

Do not use an extension cord with this appliance. If the power cord is too short, have a qualified electrician or service technician install an outlet near the appliance.

EXTENSION CORD

Because of potential safety hazards under certain conditions, it is strongly recommended that you do not use an extension cord with this unit. However, if you must use an extension cord it is absolutely necessary that it be a UL/CUL-Listed, 3-wire grounding type appliance extension cord having a grounding type plug and outlet and that the electrical rating of the cord be 115 volts and at least 10 amperes.

SURGE PROTECTOR

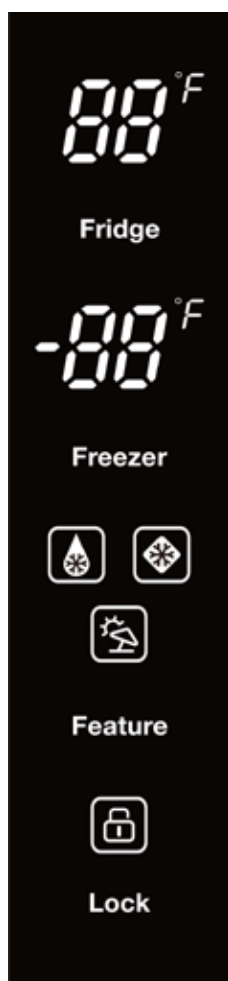
Most electrical appliances use a series of electric control boards to operate. These boards are very susceptible to power surges and could be damaged or destroyed.

If the appliance is going to be used in an area or if your city / country is prone to power surges / outages; it is suggested that you use a power surge protector for all electrical devices / appliances you use. The surge protector that you select must have a surge block high enough to protect the appliance it is connected to. If you have any questions regarding the type and size of surge protector needed contact a licensed electrician in your area.

Damages due to power surges are not considered a manufacturer covered defect and will void your product warranty.

OPERATING YOUR APPLIANCE

Refrigerator Temperature Control



· CONTROL PANEL – CHILD LOCK

The CONTROL PANEL LOCK is designed to prevent any changes to the settings to the refrigerator.

To enable the CHILD LOCK, press the LOCK button, the CHILD LOCK icon will turn on. The control panel will be locked until unlocked at the control panel or there is a loss of power.

To disable the CHILD LOCK, press and hold the lock button for approximately 3 seconds until the LOCK icon turns off and the control panel is working in normal operation mode.

· CONTROL PANEL – STANDBY

The CONTROL PANEL will go dark after approximately 5 minutes of no activity

To reactive the display, simply press any of the buttons on the control panel.

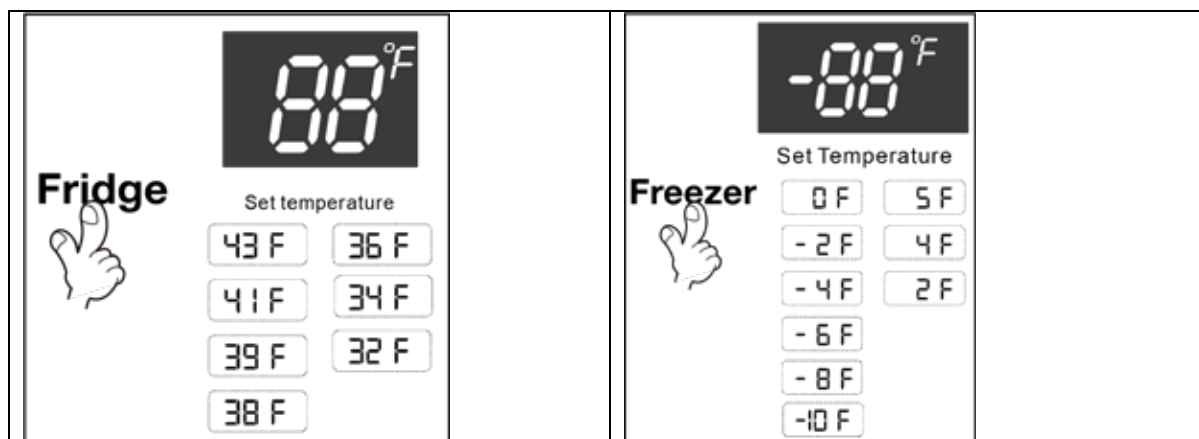
Ø Setting the Temperature Control

· Your unit has one control for regulating the temperature. The temperature control is located on the outside of the refrigerator compartment door.

· The first time you turn the unit on, the unit will start at the default temperature set at the factory, 38°F in the refrigerator section and -02°F in the freezer section.

· The first time you turn the unit on, adjust the temperature in the refrigerator compartment to 34°F and run for at least 4 hours before placing foods inside. This will ensure the freezer cabinet is thoroughly chilled and the refrigerator compartment will be stabilized before food is placed. Then adjust the temperature setting to your desired setting that best suits your needs.

To adjust the temperature in each zone, press the appropriate zone button, the selected zone will flash on and off. The temperature will change according to the pre-set temperatures as shown below, you will hear a bell chime with each press of the control panel buttons.



PREPROGRAMMED FUNCTIONS:

FAST FREEZE MODE



This mode will set the freezer temperature to -18°F for quick temperature drop when storing large amounts of warm or room temperature foods in the freezer.

The unit will remain in FAST FREEZE mode for 24 hours or until the temperature reaches --18°F or and will then return to the original setting or until the function is turned off at the control panel. Both FAST COOL and FAST FREEZE can be run together at the same time.

To enable the FAST FREEZE mode, press the feature button until the FAST FREEZE icon is illuminated. The icon will remain illuminated when activated.

To disable the FAST FREEZE mode, press the function button until the FAST FREEZE icon is turned off.

FAST COOL MODE



This mode will set the refrigerator temperature to 32°F for quick temperature drop when storing large amounts of warm or room temperature foods in the refrigerator.

The unit will remain in FAST COOL mode for 2 hours and 30 minutes or until the temperature reaches 32°F and will then return to the original setting or until the function is turned off at the control panel. Both FAST COOL and FAST FREEZE can be run together at the same time.

To enable the FAST COOL mode, press the feature button until the FAST COOL icon is illuminated. The icon will remain illuminated when activated.

To disable the FAST COOL mode, press the function button until the FAST COOL icon is turned off.

VACATION MODE



Use this mode when leaving for long periods of time, where you will remove the large majority of the content from the refrigerator section but leave the freezer content.

The Vacation mode will automatically set the refrigerator section at 41°F and the freezer section at -15°F. The unit will remain in the VACATION MODE until it is deactivated at the control panel.

To enable the VACATION mode, press the feature button until the VACATION icon is illuminated. The icon will remain illuminated when activated.

To disable the VACATION mode, press the function button until the VACATION icon is turned off

NOTE:

- IF THE UNIT IS UNPLUGGED, HAS LOST POWER, OR IS TURNED OFF, YOU MUST WAIT 3 TO 5 MINUTES BEFORE RESTARTING THE UNIT. IF YOU ATTEMPT TO RESTART BEFORE THIS TIME DELAY, THE REFRIGERATOR-FREEZER WILL NOT START.

NOTE:

WE DO NOT RECOMMEND THE INSTALLATION OF THE REFRIGERATOR WHERE THE TEMPERATURE WILL DROP BELOW 32°F (0°C) OR RISE ABOVE 110°F (43°C). THE COMPRESSOR WILL NOT BE ABLE TO MAINTAIN PROPER TEMPERATURES INSIDE THE REFRIGERATOR.

FOR INSTALLATIONS WHERE THE TEMPERATURES WILL DROP BELOW 32° SET THE FREEZER TEMPERATURE CONTROL TO THE “COLDEST” SETTING. THIS WILL IMPROVE THE OPERATIONS OF THE REFRIGERATOR UNDER THESE CONDITIONS.

CARE AND MAINTENANCE

Ø Cleaning Your Appliance

- Unplug the unit and remove the food and baskets.
- Wash the inside with a warm water and baking soda solution. The solution should be about 2 tablespoons of baking soda to a quart of water.
- Wash the baskets with a mild detergent solution.
- The outside of the unit should be cleaned with mild detergent and warm water.

CAUTION

Failure to unplug the refrigerator-freezer could result in electrical shock or personal injury.

Ø Power Failure

Most power failures are corrected within a few hours and should not affect the temperature of your refrigerator-freezer if you minimize the number of times the door is opened. If the power is going to be off for a longer period of time, you need to take the proper steps to protect your food.

Ø Vacation Time

Short vacations: Leave the unit operating during vacations of less than three weeks.

Long vacations: If the appliance will not be used for several months, remove all food and unplug the power cord. Clean and dry the interior thoroughly. To prevent odor and mold growth, leave the door open slightly: blocking it open if necessary

Ø Moving Your Appliance

- Remove all the food.
- Securely tape down all loose items inside your unit.
- Turn the leveling screws up to the base to avoid damage.
- Tape the door shut.
- Be sure the unit stays in the upright position during transportation.

Ø Energy Saving Tips

- The unit should be located in the coolest area of the room, away from heat producing appliances or heating ducts, and out of direct sunlight.
- Let hot foods cool to room temperature before placing them in the unit. Overloading the unit forces the compressor to run longer. Foods that freeze too slowly may lose quality, or spoil.
- Be sure to wrap foods properly, and wipe containers dry before placing them in the unit. This cuts down on frost build-up inside the freezer.
- Organize and label food to reduce door openings and extended searches. Remove as many items as needed at one time and close the door as soon as possible.

Ø **PROBLEMS WITH YOUR APPLIANCE?**

You can solve many common refrigerator-freezer problems easily, saving you the cost of a possible service call. Try the suggestions below to see if you can solve the problem before calling for service.

TROUBLESHOOTING GUIDE

PROBLEM	POSSIBLE CAUSE
Unit does not operate.	Not plugged in. The circuit breaker tripped or there is a blown fuse.
Compressor turns on and off frequently.	The room temperature is hotter than normal. A large amount of food has been added to the refrigerator - freezer. The door is opened too often. The door is not closed completely. The temperature control is not set correctly. The door gasket does not seal properly. The refrigerator -freezer does not have the correct clearances.
Vibrations.	Check to assure that the refrigerator - freezer is level.
The unit seems to make too much noise.	The rattling noise may come from the flow of the refrigerant, which is normal. As each cycle ends, you may hear gurgling sounds caused by the flow of refrigerant in your refrigerator - freezer. Contraction and expansion of the inside walls may cause popping and crackling noises. The unit is not level.
The door will not close properly.	The unit is not level. The door is reversed and not properly installed. The gasket is dirty. The baskets are out of position.
Section separator seems to be warm to the touch.	This is normal. The section separator area contains an Anti-Condensation heater and will be warm to the touch during the Anti-Condensation cycle to prevent condensation forming between the two sections.

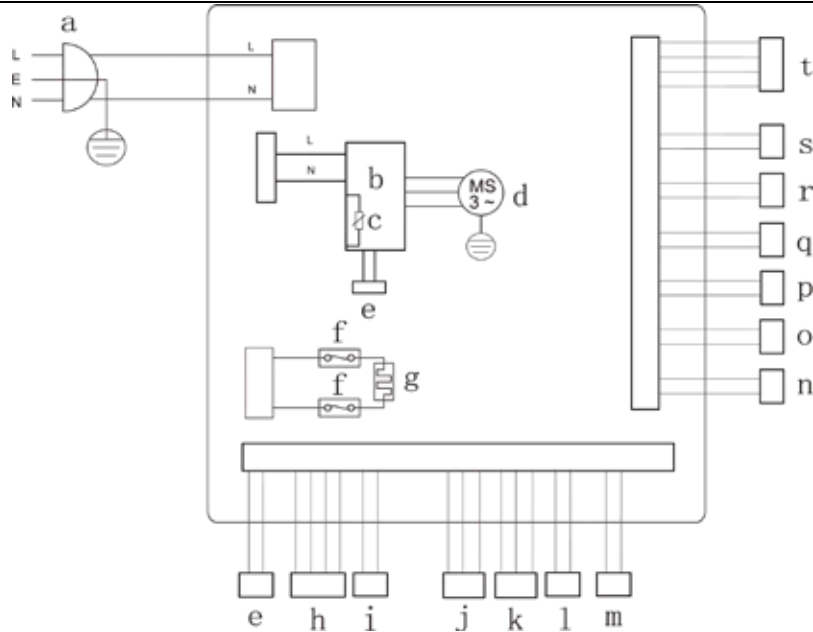
SERVICE FOR YOUR APPLIANCE

We are proud of our customer service organization and the network of professional service technicians that provide service on your Avanti appliances. With the purchase of your Avanti appliance, you can have the confidence that if you ever need additional information or assistance the Avanti Products Customer Service team will be here for you. Just call us toll-free.

AVANTI PRODUCTS CUSTOMER SERVICES

Product Information 800-323 5029	Whatever your questions are about our products, help is available.
Part Orders 800-220 5570	You may order parts and accessories that will be delivered directly to your home. You may order these items by personal check, money order, Master Card, or Visa.
In-Home Repair Service 800-220 5570	An Avanti Products authorized service center will provide expert repair service, scheduled at a time that is convenient for you. Our trained servicers know your appliance inside and out.

WIRING DIAGRAM



A	POWER PLUG	K	FREEZER FAN
B	INVERTER	L	REFRIGERATOR LIGHT
C	COMPRESSOR PROTECTOR	M	FREEZER LIGHT
D	COMPRESSOR	N	FREEZER DOOR SWITCH
E	SIGNAL	O	REFRIGERATOR DOOR SWITCH
F	PROTECTOR	P	DEFROST SENSOR
G	DEFROST HEATER	Q	FREEZER SENSOR
H	STEPPING MOTOR	R	REFRIGERATOR SENSOR
I	SEPARATOR HEATER	S	SENSOR
J	COMPRESSOR FAN	T	DISPLAY BOARD

YOUR AVANTI PRODUCTS WARRANTY	Staple your sales receipt here. Proof of original purchase date is needed to obtain service under warranty.
<u>WHAT IS COVERED – LIMITED ONE-YEAR WARRANTY</u>	
Avanti Products warrants that the product is free from defects in materials and/or workmanship for a period of twelve (12) months from the date of purchase by the original owner. The foregoing timeline begins to run upon the date of purchase, and shall not be stalled, tolled, extended, or suspended for any reason whatsoever unless described in detail in the warranty document. For one year from the date of purchase by the original owner, Avanti products will, at its option, repair or replace any part of the product which proves to be defective in material or workmanship under normal use. Avanti Products will provide you with a reasonably similar product that is either new or factory refurbished. During this period Avanti Products will provide all parts and labor necessary to correct such defects free of charge, so long as the product has been installed and operated in accordance with the written instructions in this manual. In rental or commercial use, the warranty period is 90 days. All Avanti appliances of 4.2 cubic feet capacity or less must be brought/sent to the appliance service center for repair.	
<u>LIMITED SECOND THROUGH FIFTH YEAR WARRANTY</u>	
For the second through the fifth year from the date of original purchase, Avanti Products will provide a replacement compressor free of charge due to a failure. You are responsible for the service labor and freight charges. In rental or commercial use, the limited compressor warranty is one year and nine months. Costs involved to move the product to the service center and back to the user's home, as maybe required, are the user's responsibility.	
<u>WARRANTY EXCLUSIONS / WHAT IS NOT COVERED:</u>	
The warranty coverage described herein excludes all defects or damage that are not the direct fault of Avanti Products, including without limitation, one or more of the following:	
<ul style="list-style-type: none"> • A failure to comply with any applicable state, local, city, or county electrical, plumbing and/or building codes, regulations, or laws, including failure to install the product in strict conformity with local fire and building codes and regulations. • Any external, elemental and/or environmental forces and factors, including without limitation, rain, wind, sand, floods, fires, mud slides, freezing temperatures, excessive moisture or extended exposure to humidity, lightning, power surges, structural failures surrounding the appliance, and acts of God. 	
<ul style="list-style-type: none"> • Content losses of food or other content due to spoilage. • Incidental or consequential damages • Parts and labor costs for the following will not be considered as warranty: <ul style="list-style-type: none"> • Evaporator doors, door springs, and/or frames. • Inner door panels, door shelves, door rails, and/or door supports. • Vegetable crispers. • Light bulbs and/or plastic housing. • Plastic cabinet liners. • Punctured evaporator that voids the warranty on the complete sealed system. 	<ul style="list-style-type: none"> • Shipping and handling costs associated with the replacement of the unit. • Repairs performed by unauthorized servicers. • Service calls that are related to external problems, such as abuse, misuse, inadequate electrical power, accidents, fire, floods, or any other acts of God. • Failure of the product if it is used for other than its intended purpose. • The warranty does not apply outside the Continental USA. • Surcharges including but not limited to, any after hour, weekend, or holiday service calls, tolls, ferry trip charges, or mileage expense for service calls to remote areas.
In no event shall Avanti Products have any liability or responsibility whatsoever for damage to surrounding property, including cabinetry, floors, ceilings, and other structures and/or objects around the product. Also excluded from this warranty are scratches, nicks, minor dents, and other cosmetic damages on external surfaces and exposed parts; Products on which the serial numbers have been altered, defaced or removed; service visits for customer education, or visits where there is nothing wrong with the product; correction of installation problems (you are solely responsible for any structure and setting for the product, including all electrical, plumbing and/or other connecting facilities, for proper foundation/flooring, and for any alterations including without limitation cabinetry, walls, floors, shelving etc., as well as the resetting of breakers or fuses.	
<u>OUT OF WARRANTY PRODUCT</u>	
Avanti Products is under no obligation, at law or otherwise, to provide you with any concessions, including repairs, pro-rates, or product replacement, once this warranty has expired.	
<small>WARRANTY – REFRIGERATION - COMPRESSOR</small>	

Seguridad de los aparatos

Su seguridad y la seguridad de los demás son muy importantes.

Hemos proporcionado muchos mensajes importantes de seguridad en este manual y en su electrodoméstico. Siempre lea y obedezca todos los mensajes de seguridad.



Éste es el símbolo de alerta de seguridad. Este símbolo le advierte sobre peligros potenciales que pueden ocasionar la muerte o lesionar a usted y otros.

Todos los mensajes de seguridad seguirán el símbolo de alerta de seguridad y a las de "PELIGRO", 'ADVERTENCIA' o 'PRECAUCIÓN'.



Peligro significa que el incumplimiento de esta medida de seguridad podría resultar en lesiones graves o la muerte.

Advertencia significa que el incumplimiento de esta medida de seguridad podría resultar en graves daños al producto, lesiones personales graves o la muerte.

Precaución significa que el incumplimiento de esta medida de seguridad podría provocar lesiones leves o moderadas personal o la propiedad o daños al equipo.

Todos los mensajes de seguridad que le avise a cuál es el peligro potencial, le dirán cómo reducir el riesgo de lesiones, y le hará saber lo que puede suceder si no se siguen las instrucciones.

SALVAGUARDIAS IMPORTANTES



Antes de usar el refrigerador de bebidas, tiene que estar bien colocado e instalado como se describe en este manual, así que lea cuidadosamente el manual. Para reducir el riesgo de incendio, descarga eléctrica o lesiones al utilizar el enfriador de bebidas, siga las precauciones básicas, incluyendo las siguientes:



- Enchufe en una toma de 3-de conexión a tierra, no retire la conexión a tierra, no utilice un adaptador, y no utilizar un cable de extensión
- Vuelva a colocar todos los paneles antes de operación
- Se recomienda un circuito separado, que sólo sirve a su enfriador de bebidas, se proporcionará. Use recipientes que no se puede apagar con un interruptor o cadena
- piezas de electrodomésticos Nunca limpie con líquidos inflamables. Estos vapores pueden crear un riesgo de incendio o explosión. Y no se almacene o use gasolina u otros vapores y líquidos inflamables cerca de este o cualquier otro electrodoméstico. Los vapores pueden crear un riesgo de incendio o explosión.
- Antes de proceder con las operaciones de limpieza y mantenimiento, asegúrese de que la línea de alimentación de la unidad se desconecta.
- No conecte o desconecte el enchufe eléctrico si tiene las manos húmedas
- Desenchufe el aparato o desconectar la alimentación antes de la limpieza o el mantenimiento. El no hacerlo puede provocar una descarga eléctrica o la muerte.
- No intente reparar o reemplazar cualquier parte de su aparato a menos que se recomiende específicamente en este material. Cualquier otro servicio debe ser realizado por un técnico cualificado.



- Use dos o más personas para mover e instalar el aparato. El no hacerlo puede resultar en la espalda u otras lesiones.
- Para garantizar una ventilación adecuada para su aparato, la unidad debe estar completamente despejada. Elija un área bien ventilada con temperaturas superiores 550F (130C) y por debajo 900F (32 °do). Esta unidad debe ser instalada en un área protegida de los elementos, como el viento, la lluvia, rocío de agua o la luz solar.
- El aparato no debe colocarse cerca de hornos, parrillas u otras fuentes de calor.
- El aparato debe ser instalado con todas las conexiones eléctricas, de agua y de drenaje de acuerdo con los códigos estatales y locales. Se requiere un suministro estándar eléctrica (sólo 115 V CA, 60 Hz), tierra adecuada de acuerdo con el Código Eléctrico Nacional y los códigos y reglamentos locales.
- No doble ni apriete el cable de alimentación del aparato.
- El fusible (o disyuntor) tamaño debe ser de 15 amperios.
- Es importante que el aparato se puede nivelar con el fin de funcionar correctamente. Es posible que tenga que hacer varios ajustes para nivelarla.
- Toda la instalación debe estar de acuerdo con los requerimientos locales de plomería.
- Asegúrese de que los tubos no están aplastar ni dañados durante la instalación.
- Compruebe si hay fugas después de la conexión.
- Nunca permita que los niños operen, jueguen o se introduzcan en el aparato
- No utilice productos abrasivos o de limpieza a base de disolvente en el interior. Estos limpiadores pueden dañar o decolorar el interior.
- No utilice este aparato para que no sea su finalidad.

Ayúdenos a ...

Lea detenidamente esta guía.

Se pretende que ayuden a utilizar y mantener su nuevo aparato correctamente.

Tenga a la mano para responder a sus preguntas.

Si no entiende algo o si necesita más ayuda, por favor llame a:

Avanti Servicio al Cliente
800-220-5570

Mantenga prueba de la fecha de compra original (como el recibo de venta) con esta guía para establecer el período de garantía.

PRECAUCIÓN:

**ESTE APARATO NO ESTÁ
DISEÑADO PARA EL
ALMACENAMIENTO DE
MEDICINA u otros productos
médicos.**

Anote el modelo y número de serie.

Los encontrará en una placa situada en la pared exterior trasera del aparato.

Por favor, escriba estos números aquí:

Fecha de compra

Número de modelo

Número de serie

Utilice estos números en cualquier correspondencia o llamadas de servicio con respecto a su aparato.

Si ha recibido un aparato dañado, póngase inmediatamente en contacto con el distribuidor (o constructor) que le vendió el aparato.

Ahorrar tiempo y dinero. Antes de llamar al servicio técnico, consulte la Guía de solución de problemas. En él se enumeran las causas de los problemas de funcionamiento de menor importancia que se puede corregir a sí mismo.

Si necesita servicio

Estamos orgullosos de nuestro servicio y queremos que usted esté satisfecho.

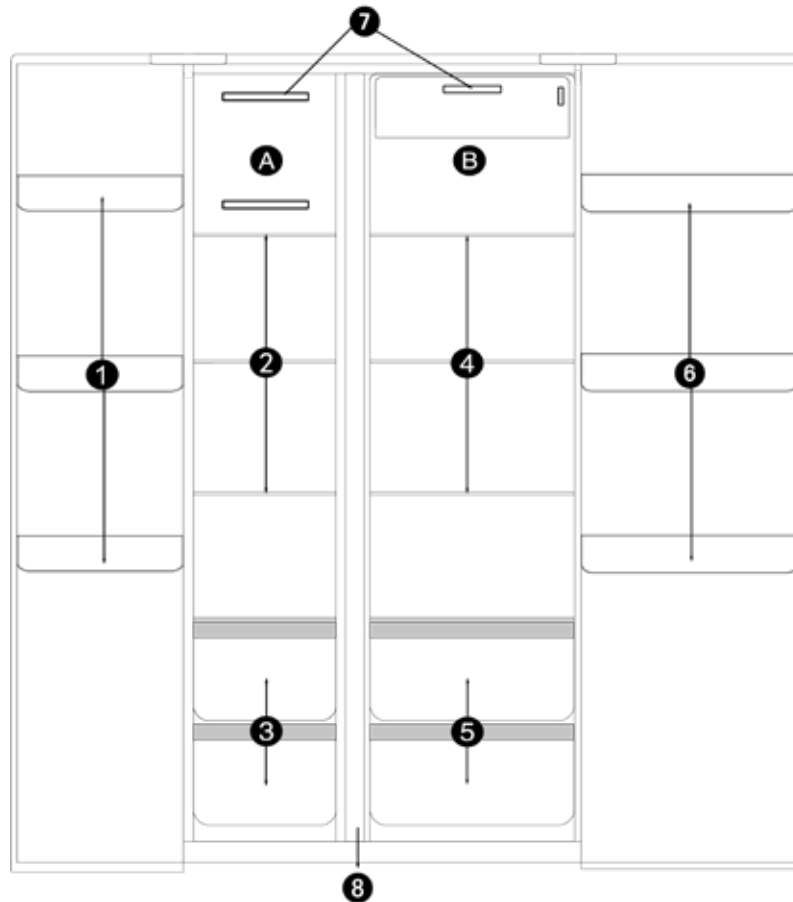
Si por alguna razón usted no está satisfecho con el servicio que recibe, aquí hay algunos pasos a seguir para obtener más ayuda.

PRIMERA, póngase en contacto con las personas que servicio de reparación del aparato. Explicar por qué no está satisfecho. En la mayoría de los casos, esto va a resolver el problema.

A continuación, si usted todavía no está contento, escribir todos los detalles, incluyendo su número de teléfono, y enviarlo a:

Servicio al cliente
Productos Avanti
10880 NW 30 Calle
Miami, FL 33172 USA

PARTES Y CARACTERÍSTICAS



1	(3) tres bandejas en la puerta del congelador	5	(2) Dos Crispers vegetales con cubierta de cristal
2	(3) tres estantes de la sección del congelador	6	(3) tres bandejas en la puerta del refrigerador
3	(2) dos cajones del congelador con tapa de cristal	7	Iluminación interior en cada sección
4	(3) tres estantes de la sección del refrigerador	8	Separador de secciones

** Nota

El área del separador de secciones contiene un calentador de anticondensación y estará caliente al tacto durante el ciclo de anticondensación para evitar que se forme condensación entre las dos secciones.

INSTRUCCIONES DE SEGURIDAD IMPORTANTES

<p>~ ADVERTENCIA ~</p>	<p>Para reducir el riesgo de incendio, choque eléctrico, o lesiones personales al usar su refrigerador -freezer, siga estas precauciones básicas:</p>
<ul style="list-style-type: none"> • Lea todas las instrucciones antes de usar el frigorífico-congelador. • PELIGRO o ADVERTENCIA: Riesgo de atrapamiento de niños. El atrapamiento y asfixia de niños no son problemas del pasado. refrigerador y congelador tirados y abandonados son un peligro. . . incluso si van a “sentarse en el garaje de unos días.” • Antes de deshacerse de su viejo refrigerador-congelador: Quite las puertas. Deje los estantes en su lugar para que los niños no puedan entrar fácilmente en el interior. • Nunca permita que los niños operen, jueguen o entren dentro del frigorífico-congelador. • Nunca se separa limpia refrigerador y congelador con líquidos inflamables. Los vapores pueden crear un riesgo de incendio o explosión. • No almacene o use gasolina u otros vapores y líquidos inflamables cerca de este o cualquier otro frigorífico-congelador. Los vapores pueden crear un riesgo de incendio o explosión. <p style="text-align: center;">-Guarda estas instrucciones-</p>	

INSTRUCCIONES DE INSTALACIÓN

Ø Antes de usar su electrodoméstico

I Retire la envoltura interna y externa.

I Compruebe para asegurarse de que tiene todas las siguientes partes:

I 3 estantes en el refrigerador	I 3 estantes en el congelador
I 2 gavetas Vegetales	I 2 compartimientos del cajón del congelador
I 1 cubierta del cajón de cristal	I 1 tapa del cajón de cristal
I Bandejas de puerta 6 (3 Cada sección)	I 1 manual de instrucciones

- Antes de conectar la unidad a la fuente de alimentación, se deja reposar en posición vertical durante aproximadamente 2 horas. Esto reducirá la posibilidad de un mal funcionamiento en el sistema de refrigeración de la manipulación durante el transporte.
- Limpiar la superficie interior con agua tibia con un paño suave.

Ø La instalación de su electrodoméstico

- Coloca el frigorífico-congelador en un piso que sea lo suficientemente fuerte para soportar el frigorífico-congelador cuando está totalmente cargado. Para nivelar el refrigerador-congelador, ajuste las patas de nivelación en la parte inferior de la unidad.
- **PERMITA 3-5 PULGADAS DE ESPACIO ENTRE LA PARTE TRASERA Y LA PARED TAMBIÉN COMO MÍNIMO DE ½ ”(MEDIA PULGADA) A CADA LADO DE LA UNIDAD, Y UNA PULGADA SOBRE LA PARTE SUPERIOR QUE PERMITARA LA CIRCULACIÓN DE AIRE ADECUADA PARA ENFRIAR EL COMPRESOR Y EL CONDENSADOR.**
- Ubicar la unidad lejos de luz solar directa y de fuentes de calor (cocina, calefacción, radiador, etc.). La luz solar directa puede afectar el recubrimiento acrílico y fuentes de calor puede aumentar el consumo eléctrico. temperaturas ambiente extremas de frío también pueden hacer que el frigorífico-congelador no funcione correctamente.
- Evitar la localización de la unidad en áreas húmedas.
- Conecte la unidad a una toma de tierra adecuada-instalado exclusiva. En ninguna circunstancia corte o retire la tercera pata (tierra) del cable de alimentación. Cualquier pregunta relacionada con la energía y / o puesta a tierra deben ser dirigidas a un electricista certificado o un centro de servicio de Avanti Products.

Conexión eléctrica

~ Advertencia ~

El uso inapropiado del enchufe a tierra puede resultar en el riesgo de descarga eléctrica. Si el cable de alimentación está dañado, haga que sea reemplazado por un centro de servicio autorizado de Avanti Products.

Este aparato debe estar conectado a tierra adecuadamente para su seguridad. El cable de alimentación de este aparato está equipado con un enchufe de tres clavijas que se acopla con tres enchufes de pared standard para minimizar la posibilidad de choque eléctrico.

Bajo ninguna circunstancia corte o quite la tercera clavija de tierra del cable de alimentación suministrado.

Este aparato requiere una toma de corriente eléctrica 115Volts ~ / 60Hz estándar con tierra de tres clavijas.

El cable debe ser asegurado por detrás del aparato y no dejarlo expuesto para prevenir lesiones accidentales.

Nunca desenchufe el aparato tirando del cable de alimentación. Siempre sujete firmemente el enchufe y tire en línea recta desde el receptáculo.

No utilice un cable de extensión con este aparato. Si el cable de alimentación es demasiado corto, haga que un electricista o técnico de servicio calificado para que instale un tomacorriente cerca del aparato.

CABLE DE EXTENSIÓN

Debido a los peligros potenciales de seguridad bajo ciertas condiciones, se recomienda encarecidamente que no se utiliza un cable de extensión con esta unidad. Sin embargo, si debe utilizar un cable de extensión es absolutamente necesario que sea un UL / CUL-Listed, 3 hilos de conexión a tierra del aparato cable de extensión que tiene un enchufe y la toma de tierra y que la capacidad eléctrica del cable de ser de 115 voltios y al menos 10 amperios.

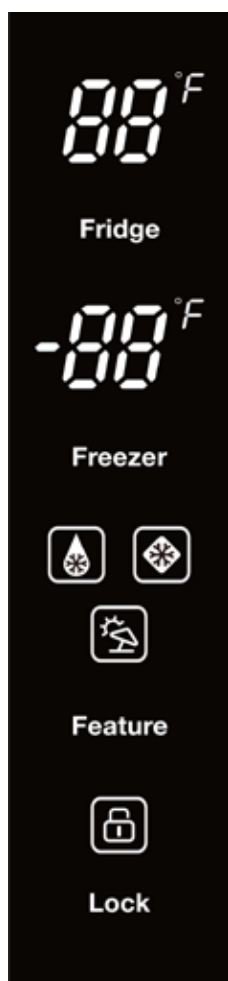
PROTECTOR CONTRA SOBRETENSIONES

La mayoría de los aparatos eléctricos utilizan una serie de cuadros de control eléctricos para operar. Estas placas son muy susceptibles a las subidas de tensión y podrían ser dañados o destruidos.

Si el aparato va a ser usado en un área o si su ciudad / país es propenso a subidas de tensión / interrupciones; se sugiere que utilice un protector contra sobretensiones alimentación de todos los dispositivos / aparatos eléctricos que utiliza. El estabilizador de tensión que se selecciona debe tener un bloque aumento suficientemente alto como para proteger el aparato que está conectado. Si tiene alguna pregunta relacionada con el tipo y tamaño de contacto necesario protector contra sobretensiones a un electricista autorizado en su área.

Los daños debidos a sobrecargas de energía no se consideran un fabricante cubierto defecto y anulará la garantía del producto.

FUNCIONAMIENTO DEL APARATO



Control de la temperatura del refrigerador

· PANEL DE CONTROL - CHILD LOCK

El panel de control BLOQUEO está diseñado para evitar cualquier cambio en la configuración en el refrigerador.

Para activar la función, presione el botón LOCK, el icono CHILD LOCK se encenderá. El panel de control se bloqueará hasta que se desbloquee al panel de control o hay una pérdida de potencia.

Para desactivar el bloqueo para niños, mantenga presionado el botón de bloqueo durante aproximadamente 3 segundos hasta que el icono de bloqueo se apaga y el panel de control está funcionando en el modo de funcionamiento normal.

· PANEL DE CONTROL - EN ESPERA

El panel de control se apagará después de aproximadamente 5 minutos de inactividad

Para reactivar la pantalla, basta con pulsar cualquiera de los botones del panel de control.

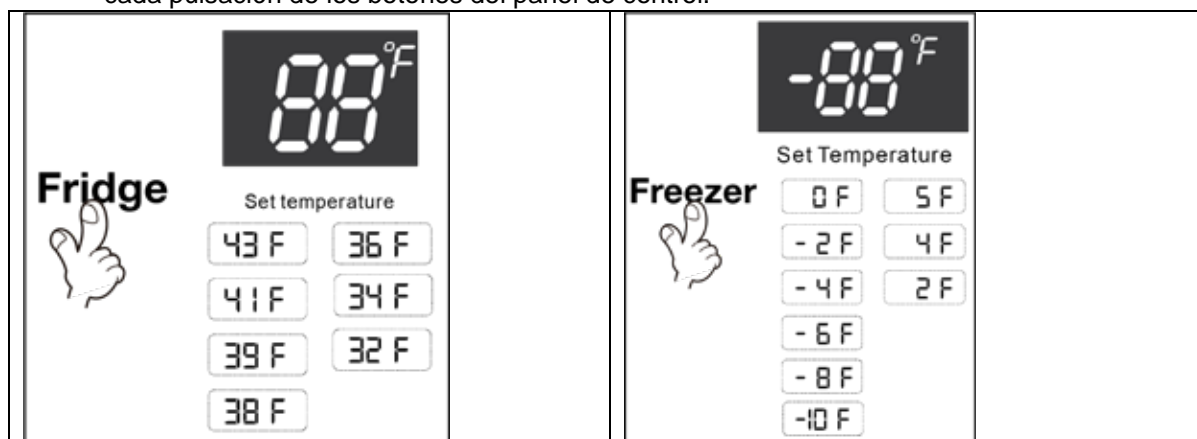
Ø Ajuste del control de temperatura

· La unidad tiene un control para regular la temperatura. El control de temperatura se encuentra en el exterior de la puerta del compartimento refrigerador.

· La primera vez que encienda la unidad, la unidad comenzará a la temperatura predeterminada establecida en la fábrica, en la sección 38°F refrigerador y -04 ° F en la sección del congelador.

- La primera vez que encienda la unidad, ajustar la temperatura en el compartimento del refrigerador a 34°F y una duración de por lo menos 4 horas antes de introducir los alimentos. Esto asegurará que el congelador está muy frío y el compartimento del refrigerador se estabilice antes de colocar los alimentos. A continuación, ajustar la temperatura a la configuración deseada que mejor se adapte a sus necesidades.

Para ajustar la temperatura en cada zona, pulse el botón zona apropiada, la zona seleccionada parpadeará encendido y apagado. La temperatura cambiará de acuerdo con las temperaturas preestablecidas como se muestra a continuación, se escuchará un timbre de campana con cada pulsación de los botones del panel de control.



Funciones preprogramadas:

· **MODO congelación rápida**



Este modo ajusta la temperatura del congelador a -18°F para la caída rápida de la temperatura cuando el almacenamiento de grandes cantidades de alimentos calientes o temperatura de habitación en el congelador.

La unidad permanecerá en el modo de congelación rápida durante 24 horas o hasta que la temperatura alcanza --18°F o y entonces volverá a la configuración original o hasta que la función se apaga en el panel de control. Ambos del calor FAST y de congelación rápida se pueden ejecutar juntos al mismo tiempo.

Para activar el modo de congelación rápida, pulse el botón de función hasta que se ilumine el icono de congelación rápida. El icono permanecerá iluminado cuando se activa.

Para desactivar el RÁPIDO modo FIJA, presione el botón de función hasta que el icono de congelación rápida se apaga.

· **El modo de enfriamiento RÁPIDO**



Este modo ajusta la temperatura del refrigerador a 32 ° F para una caída rápida de la temperatura cuando el almacenamiento de grandes cantidades de alimentos calientes o a temperatura ambiente en el refrigerador.

La unidad permanecerá en modo frío RÁPIDO durante 2 horas y 30 minutos o hasta que la temperatura alcanza los 32 ° F y entonces volverá a la configuración original o hasta que la función se apaga en el panel de control. Ambos del calor FAST y de congelación rápida se pueden ejecutar juntos al mismo tiempo.

Para activar el modo COOL RÁPIDO, pulse el botón de función hasta que el icono de Fast Cool se ilumina. El icono permanecerá iluminado cuando se activa.

Para desactivar el RÁPIDO modo COOL, presione el botón de función hasta que el icono de Fast Cool está apagado.

· **MODO VACACIONES**



Utilice este modo al salir por largos períodos de tiempo, donde se retire la gran mayoría del contenido de la sección del refrigerador, pero deja el contenido del congelador.

El modo de vacaciones se establecerá automáticamente el refrigerador a la sección 41°F y la sección de congelador a -15°F. La unidad permanecerá en el modo de vacaciones hasta que se desactive en el panel de control.

Para activar el modo de vacaciones, pulse el botón de función hasta que se ilumine el icono VACACIONES. El icono permanecerá iluminado cuando se activa.

Para desactivar el modo de vacaciones, pulse el botón de función hasta que el icono rápido Baja la temperatura se apaga

NOTA:

- SI LA UNIDAD ESTÁ DESCONECTADA, HA PERDIDO POTENCIA O ESTÁ APAGADO, DEBE ESPERAR 3 A 5 MINUTOS ANTES DE REINICIAR LA UNIDAD. SI INTENTA REINICIAR ANTES DE ESTE TIEMPO, EL REFRIGERADOR-CONGELADOR NO SE INICIARÁ.

NOTA:

NO RECOMENDAMOS la instalación del refrigerador donde la temperatura caerá por debajo de 32°F (0°C) OR elevarse por encima de 110°F (43°C). El compresor no ser capaz de mantener la temperatura adecuada dentro del refrigerador.

Para instalaciones donde Las temperaturas caen por debajo de los 32°F ajuste el control de temperatura del congelador al ajuste “mas frio”. Esto mejorará la OPERACIONES de la nevera en estas condiciones.

CUIDADO Y MANTENIMIENTO

Ø Limpiar la lavadora

- Desenchufe la unidad y retire la comida y cestas.
- Lavar el interior con una solución de agua y bicarbonato de sodio caliente. La solución debe ser de aproximadamente 2 cucharadas de bicarbonato de sodio a un litro de agua.
- Lavar las cestas con una solución de detergente suave.
- El exterior de la unidad se debe limpiar con un detergente suave y agua tibia.

PRECAUCIÓN

Si no desconecta el frigorífico-congelador podría provocar una descarga eléctrica o lesiones personales.

Ø Fallo de alimentación

La mayoría de los cortes de energía se regresa en unas pocas horas y no deben afectar a la temperatura del frigorífico-congelador si minimiza el número de veces que se abre la puerta. Si el poder va a estar fuera por un período de tiempo más largo, es necesario tomar las medidas adecuadas para proteger su comida.

Ø Tiempo de vacaciones

Vacaciones cortas: Deje la unidad funcionando durante las vacaciones de menos de tres semanas.

unas largas vacaciones: Si no va a utilizar el aparato durante varios meses, retire todos los alimentos y desconecte el cable de alimentación. Limpia y seca bien el interior. Para evitar el crecimiento de moho y mal olor, dejar la puerta ligeramente abierta: el bloqueo de la abertura de ser necesario

Ø Separe su electrodoméstico

- Retire toda la comida.
- Segura cinta adhesiva a todo caer dentro de su unidad.
- A su vez los tornillos de nivelación hasta la base para evitar daños.
- Cinta de la puerta cerrada.
- Asegúrese de que la unidad permanece en la posición vertical durante el transporte.

Ø Consejos para ahorrar energía

- La unidad debe estar ubicado en la zona más fría de la habitación, lejos de producir calor aparatos o conductos de la calefacción y de la luz solar directa.
- Deje enfriar los alimentos calientes a temperatura ambiente antes de colocarlos en la unidad. La sobrecarga de la unidad hace que el compresor funcione durante más tiempo. Alimentos que se congelan lentamente pueden perder calidad o echarse a perder.
- Asegúrese de envolver adecuadamente los alimentos y seque los envases antes de colocarlos en la unidad. Esto reduce la acumulación de escarcha en el congelador.
- Organizar y etiquete los alimentos para reducir las aberturas de puertas y búsquedas prolongadas. Retire todos los elementos que necesite de una sola vez y cierre la puerta tan pronto como sea posible.

Ø PROBLEMAS CON SU ELECTRODOMESTICO?

Puede solucionar muchos problemas comunes frigorífico-congelador con facilidad, que le ahorra el coste de una posible llamada de servicio. Pruebe las siguientes sugerencias para ver si puede resolver el problema antes de llamar al servicio técnico.

GUÍA PARA RESOLVER PROBLEMAS

PROBLEMA	CAUSA POSIBLE
La unidad no funciona.	No enchufado. El interruptor de circuito disparado o hay un fusible fundido.
El compresor se enciende y apaga con frecuencia.	La temperatura ambiente es más caliente de lo normal. Una gran cantidad de alimentos que se ha añadido a la nevera - congelador. La puerta se abre con demasiada frecuencia. La puerta no está cerrada completamente. El control de temperatura no está configurado correctamente. La junta de la puerta no cierra correctamente. El -freezer refrigerador no tiene el suficiente espacio libre.
Vibraciones.	Compruebe para asegurarse de que el refrigerador - congelador está nivelado.
La unidad parece hacer demasiado ruido.	El ruido de traqueteo puede venir del flujo del refrigerante, que es normal. Al final de cada ciclo, puede oír sonidos de gorgoteo causado por el flujo de refrigerante en su refrigerador - congelador. La contracción y la expansión de las paredes interiores pueden causar estallar y crepitantes ruidos. La unidad no está nivelada.
La puerta no se cerrará correctamente.	La unidad no está nivelada. La puerta se invierte y no se ha instalado correctamente. La junta está sucia. Las cestas están fuera de posición.
El separador de sección parece estar caliente al tacto.	Esto es normal. El área del separador de secciones contiene un calentador de anticondensación y estará caliente al tacto durante el ciclo de anticondensación para evitar que se forme condensación entre las dos secciones.

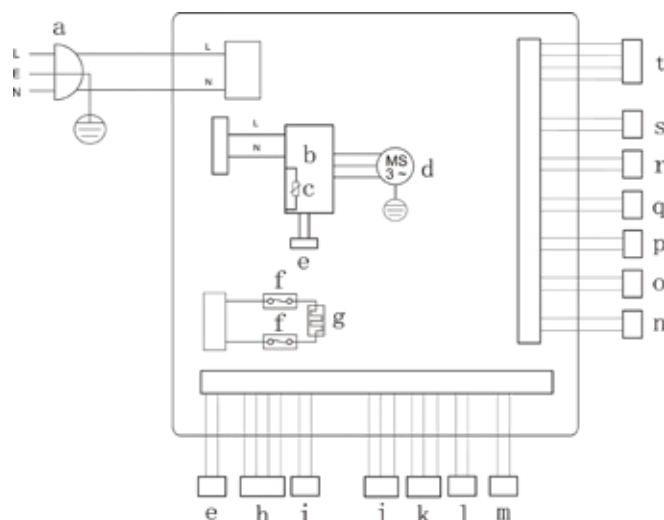
SERVICIO PARA SU APARATO

Estamos orgullosos de nuestra organización de servicio al cliente y la red de técnicos de servicios profesionales que prestan servicio en sus electrodomésticos Avanti. Con la compra del aparato, Avanti, usted puede tener la confianza de que si alguna vez necesita información o asistencia adicional del equipo de Servicio al Cliente de Avanti Products estará aquí para usted. Sólo tiene que llamar al número gratuito.

PRODUCTOS DE CLIENTE AVANTI

Información del Producto 800-323 5029	Sean cuales sean sus preguntas son acerca de nuestros productos, hay ayuda disponible.
pedidos de piezas 800-220 5570	Es posible pedir piezas y accesorios que serán entregados directamente a su casa. Usted puede ordenar estos artículos por el cheque personal, giro postal, Master Card o Visa.
El servicio a domicilio Reparación 800-220 5570	Un centro de servicio Avanti Products proporcionará el servicio de reparación experto, programado a una hora que sea conveniente para usted. Nuestros técnicos conocen su aparato dentro y por fuera.

DIAGRAMA DE CABLEADO



A	ENCHUFE	K	VENTILADOR DE CONGELADOR
B	INVERSOR	L	LUZ DEL REFRIGERADOR
C	PROCTOR DEL COMPRESOR	M	LUZ DEL CONGELADOR
D	COMPRESOR	N	INTERRUPTOR DEL CONGELADOR
E	SEÑAL	O	INTERRUPTOR DEL REFRIGERADOR
F	PROTECTOR	P	SENSOR
G	CALENTADOR DE DESCONGELAMIENTO	Q	SENSOR DEL CONGELADOR
H	MOTOR DE PASOS	R	SENSOR DEL REFRIGERADOR
I	CALENTADOR DEL SEPARADOR	S	SENSOR
J	VENTILADOR DE COMPRESOR	T	PANEL DE CONTROL

SÉCURITÉ DE L'APPAREIL

Votre sécurité et celle des autres sont très importantes.

Nous avons fourni de nombreux messages de sécurité importants dans ce manuel et sur votre appareil. Toujours lire et obéir à tous les messages de sécurité.



C'est le symbole d'alerte de sécurité. Ce symbole vous signale les dangers potentiels qui peuvent tuer ou blesser vous et d'autres. Tous les messages de sécurité suivront symbole de sécurité et soit les salles » DANGER », « AVERTISSEMENT » ou « ATTENTION ».



Danger signifie que le non-respect de cette déclaration de sécurité peut entraîner des blessures graves ou la mort.

Attention signifie que le non-respect de cette déclaration de sécurité peut entraîner des dommages des produits, des blessures graves ou la mort.

Mise en garde signifie que le non-respect de cette déclaration de sécurité peut entraîner des blessures mineures ou modérées, ou des biens ou des dommages matériels.

Tous les messages de sécurité vous alerter à ce que le danger potentiel, vous dire comment réduire les risques de blessures, et que vous sachiez ce qui peut arriver si les instructions ne sont pas suivies.

GARANTIES IMPORTANTES



Avant le refroidisseur de boisson est utilisé, il doit être correctement positionné et installé comme décrit dans ce manuel, donc lire attentivement les instructions. Pour réduire les risques d'incendie, d'électrocution ou de blessure lors de l'utilisation du refroidisseur de boisson, suivez les précautions de base, y compris les éléments suivants:



- Brancher dans une prise à trois broches, ne pas retirer la broche de mise à la terre, ne pas utiliser un adaptateur, et ne pas utiliser un câble de rallonge
- Remplacer tous les panneaux avant d'utiliser
- Il est recommandé qu'un circuit séparé, servant seulement votre refroidisseur de boisson, être fournie. Utiliser des emballages qui ne peuvent être rebutés par un interrupteur ou d'une chaîne de traction
- Les pièces de l'appareil Ne jamais nettoyer avec des liquides inflammables. Ces vapeurs peuvent créer un risque d'incendie ou d'explosion. Et ne pas stocker ni utiliser d'essence ou d'autres vapeurs et liquides inflammables à proximité de cet appareil ou de tout autre appareil. Les vapeurs peuvent créer un risque d'incendie ou d'explosion.
- Avant de procéder aux opérations de nettoyage et d'entretien, assurez-vous que la ligne d'alimentation de l'appareil est débranchée.
- Ne pas brancher ou débrancher la prise électrique lorsque vos mains sont humides
- Débrancher l'appareil ou couper l'alimentation avant le nettoyage ou l'entretien. Le non-respect peut entraîner des chocs électriques ou la mort.
- Ne tentez pas de réparer ou de remplacer une partie de votre appareil à moins qu'il ne soit spécifiquement recommandé dans ce matériau. Toutes les autres réparations doivent être confiées à un technicien qualifié.



- Utilisez deux personnes ou plus pour déplacer et installer l'appareil. Le non-respect peut entraîner dans le dos ou d'autres blessures.
- Afin d'assurer une bonne ventilation de votre appareil, l'appareil doit être complètement dégagée. Choisissez un endroit bien ventilé avec des températures supérieures à 550F (130C) et plus bas 900F (32 °C). Cet appareil doit être installé dans une zone protégée contre les éléments, tels que le vent, la pluie, de l'eau pulvérisée ou de la lumière du soleil.
- L'appareil ne doit pas être situé à côté de fours, grilles ou d'autres sources de chaleur.
- L'appareil doit être installé avec toutes les connexions électriques, de l'eau et de drain en conformité avec les codes d'état et locales. Une alimentation électrique standard (115 V CA seulement, 60 Hz), mise à la terre conformément au Code national de l'électricité et les codes et règlements locaux est nécessaire.
- Ne pas plier ni pincer le cordon d'alimentation de l'appareil.
- La taille fusible (ou disjoncteur) doit être de 15 ampères.
- Il est important que l'appareil soit à niveau afin de fonctionner correctement. Vous devrez peut-être faire plusieurs ajustements pour y arriver.
- Toute installation doit être conforme aux exigences du code de plomberie.
- Assurez-vous que les tuyaux ne sont pas pincés ou pliés ou endommagés lors de l'installation.
- Vérifier les fuites après la connexion.
- Ne jamais laisser les enfants utiliser, jouer avec ou ramper à l'intérieur de l'appareil
- Ne pas utiliser des produits de nettoyage à base de solvants ou d'abrasifs à l'intérieur. Ces produits de nettoyage peuvent endommager ou décolorer l'intérieur.
- Ne pas utiliser cet appareil pour d'autres fins que celles prévues.

AIDEZ-NOUS VOUS AIDER ...

Lisez attentivement ce guide.

Il est destiné à vous aider à utiliser et à maintenir votre nouvel appareil correctement.

Gardez à portée de main pour répondre à vos questions.

Si vous ne comprenez pas quelque chose ou que vous avez besoin d'aide, s'il vous plaît appelez:

**Avanti Service à la clientèle
800-220-5570**

Gardez la preuve de la date d'achat (tel que votre bordereau de vente) avec ce guide pour établir la période de garantie.

MISE EN GARDE:

**CET APPAREIL EST LE
STOCKAGE CONÇU POUR
OU DE MÉDECINE
D'AUTRES PRODUITS
MÉDICAUX.**

Notez le modèle et le numéro de série.

Vous les trouverez sur une plaque située sur la paroi extérieure arrière de l'appareil.

S'il vous plaît écrire ces chiffres ici:

Date d'achat

Numéro de modèle

Numéro de série

Utilisez ces chiffres dans tous les appels par correspondance ou de service concernant votre appareil.

Si vous avez reçu un appareil endommagé, contactez immédiatement le revendeur (ou le constructeur) qui vous a vendu l'appareil.

Gagnez du temps et de l'argent. Avant d'appeler le service, consultez le Guide de dépannage. Il énumère les causes des problèmes de fonctionnement mineurs que vous pouvez vous corriger.

SI VOUS AVEZ BESOIN DE SERVICE

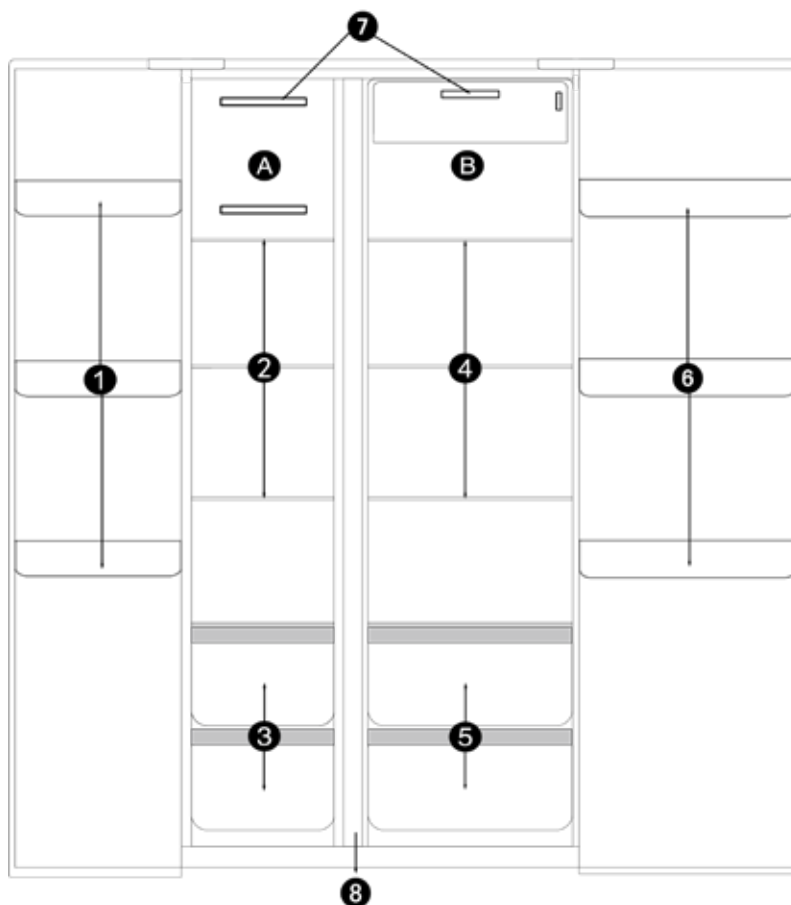
Nous sommes fiers de notre service et voulons que vous soyez heureux. Si pour une raison quelconque vous n'êtes pas satisfait du service que vous recevez, voici quelques étapes à suivre pour obtenir de l'aide.

FIRST, contacter les personnes qui ont réparé votre appareil. Expliquez pourquoi vous n'êtes pas satisfait. Dans la plupart des cas, cela résoudra le problème.

Ensuite, si vous n'êtes toujours pas satisfait, écrire tous les détails, y compris votre numéro de téléphone, et l'envoyer à:

**Service Clients
Produits Avanti
10880 NW 30 Street
Miami, FL 33172 USA**

PIÈCES ET CARACTÉRISTIQUES



1	(3) Trois Congélateur Porte Bins	5	(2) Deux Crispers végétales avec couvercle en verre
2	(3) Trois étagères Congélateur	6	(3) Trois porte du réfrigérateur Bins
3	(2) Deux tiroirs Congélateur avec couvercle en verre	7	LED d'éclairage intérieur dans chaque section
4	(3) Trois étagères Réfrigérateur	8	Séparateur de section

**** Remarque**

La zone du séparateur de sections contient un appareil de chauffage anti-condensation et sera chaude au toucher pendant le cycle anti-condensation pour empêcher la formation de condensation entre les deux sections.

CONSIGNES DE SÉCURITÉ IMPORTANTES

~ ATTENTION ~	Pour réduire les risques d'incendie, d'électrocution ou de blessure lors de l'utilisation de votre réfrigérateur-congélateur, suivez ces précautions de base:
<ul style="list-style-type: none"> • Lisez toutes les instructions avant d'utiliser le réfrigérateur-congélateur. • DANGER ou AVERTISSEMENT: Risque de piégeage des enfants. Le piégeage des enfants et asphyxie sont toujours du passé. Jetés ou abandonnés réfrigérateurs-congélateurs sont toujours dangereux. . . même s'ils « rester assis dans le garage quelques jours. » • Avant de jeter votre vieux réfrigérateur-congélateur: Enlever les portes. Laissez les étagères en place afin que les enfants ne puissent pas facilement grimper à l'intérieur. • Ne jamais laisser les enfants utiliser, jouer avec, ou ramper à l'intérieur du réfrigérateur-congélateur. • Jamais pièces réfrigérateur-congélateur propre avec des liquides inflammables. Les vapeurs peuvent créer un risque d'incendie ou d'explosion. • Ne pas entreposer ni utiliser d'essence ou d'autres vapeurs et liquides inflammables à proximité de ce ou tout autre réfrigérateur-congélateur. Les vapeurs peuvent créer un risque d'incendie ou d'explosion. <p style="text-align: center;">-Save ces INSTRUCTIONS-</p>	

INSTRUCTIONS D'INSTALLATION

Ø Avant d'utiliser votre appareil

- I Retirez l'emballage extérieur et intérieur.
- I Vérifiez que vous avez toutes les pièces suivantes:

I 3 clayettes Réfrigérateur	I 3 tablettes Congélateur (verre)
I 2 Crispers végétales	I 2 Congélateur tiroir Bins
I 1 verre Crisper Couverture	I 1 verre Tiroir couverture
I 6 portes Bins (3) Chaque section	I 1 Mode d'emploi

- Avant de connecter l'appareil à la source d'alimentation, laissez-le tenir debout pendant environ 2 heures. Cela permettra de réduire la possibilité d'un dysfonctionnement dans le système de refroidissement de la manipulation pendant le transport.
- Nettoyer la surface intérieure à l'eau tiède avec un chiffon doux.

Ø Installation de votre appareil

- Placez votre réfrigérateur-congélateur sur un sol qui est assez solide pour supporter le réfrigérateur-congélateur quand il est complètement chargé. Pour mettre à niveau votre réfrigérateur-congélateur, réglez les pieds de nivellement en bas de l'unité.
- **Laisser un espace de 3 à 5 pouces entre le dos et le mur, ainsi qu'un minimum de ½ "(demi-pouce) à chaque côté de l'unité, et 1 pouce au sommet ce qui permet une circulation d'air adéquate pour refroidir le compresseur et le condenseur.**
- Placez l'appareil loin de la lumière du soleil et des sources de chaleur (poêle, chauffage, radiateur, etc.). Lumière directe du soleil peut affecter le revêtement acrylique et sources de chaleur peuvent augmenter la consommation électrique. Les températures ambiantes froides extrêmes peuvent également causer le réfrigérateur- congélateur ne pas fonctionner correctement.
- Éviter de placer l'appareil dans les zones humides.
- Branchez l'appareil dans une prise murale à la terre installée exclusive correctement. Ne pas en aucun cas couper ou enlever la troisième broche (terre) du cordon d'alimentation. Pour toute question concernant le pouvoir et / ou mise à la terre doivent être adressées à un électricien certifié ou un centre de service Avanti Les produits autorisés.

Connexion électrique

~ Attention ~

Une mauvaise utilisation de la prise de terre peut entraîner un risque de choc électrique. En cas d'endommagement du cordon d'alimentation, faites-le remplacer par un centre de service Avanti produits autorisés.

Cet appareil doit être correctement mis à la terre pour votre sécurité. Le cordon d'alimentation de cet appareil est équipé d'une fiche à trois broches qui coopère avec la norme trois broches prises murales pour réduire au minimum la possibilité d'un choc électrique.

Ne pas en aucun cas couper ou enlever la troisième broche de terre du cordon d'alimentation fourni.

Cet appareil nécessite une norme 115Volts ~ / 60Hz prise de courant à terre à trois broches.

Le cordon doit être fixé derrière l'appareil et non laissés exposés ou ballants pour prévenir les blessures accidentelles.

Ne jamais débrancher l'appareil en tirant sur le cordon d'alimentation. Toujours saisir fermement la fiche et retirer directement à partir du récipient.

Ne pas utiliser une rallonge avec cet appareil. Si le cordon d'alimentation est trop court, un technicien électricien qualifié ou installer une prise près de l'appareil.

RALLONGE

En raison des risques potentiels pour la sécurité dans certaines conditions, il est fortement recommandé de ne pas utiliser une rallonge avec cet appareil. Toutefois, si vous devez utiliser une rallonge, il est absolument nécessaire que ce soit une extension appareil de mise à la terre UL / Liste CUL, 3 fils cordon ayant une fiche de mise à la terre et à la sortie et que la capacité électrique du cordon de 115 volts et au moins 10 ampères.

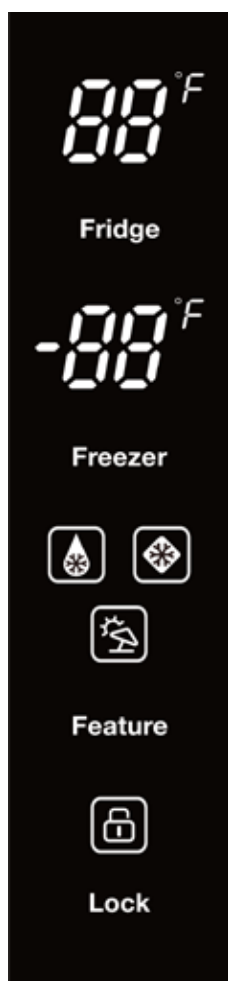
PARASURTENSEUR

La plupart des appareils électriques utilisent une série de panneaux de commande électrique pour fonctionner. Ces panneaux sont très sensibles aux surtensions et pourraient être endommagés ou détruits.

Si l'appareil va être utilisé dans une zone ou si votre ville / pays est sujette à des surtensions / pannes; il est recommandé d'utiliser un protecteur de surtension pour tous les appareils / appareils électriques que vous utilisez. Le protecteur de surtension que vous sélectionnez doit avoir un bloc de poussée suffisamment élevé pour protéger l'appareil, il est connecté. Si vous avez des questions concernant le type et la taille du parasurtenseur contact nécessaire à un électricien agréé dans votre région.

Les dommages dus aux surtensions ne sont pas considérés comme un fabricant couvert défaut et annulera la garantie du produit.

UTILISATION DE VOTRE APPAREIL



Réfrigérateur Contrôle de la température

· PANNEAU DE COMMANDE - BLOCAGE DES ENFANTS

Le panneau de commande LOCK est conçu pour empêcher toute modification des paramètres au réfrigérateur.

Pour activer le verrouillage parental, appuyez sur la touche LOCK, l'icône CHILD LOCK s'allume. Le panneau de commande est verrouillé jusqu'à déverrouillé au niveau du panneau de commande ou il y a une perte de puissance.

Pour désactiver le verrouillage parental, appuyez et maintenez le bouton de verrouillage pendant environ 3 secondes jusqu'à ce que l'icône de verrouillage s'éteigne et le panneau de commande fonctionne en mode de fonctionnement normal.

· PANNEAU DE COMMANDE - VEILLE

Le panneau de contrôle s'éteint après environ 5 minutes d'activité

Pour réactiver l'écran, il suffit d'appuyer sur une des touches du panneau de commande.

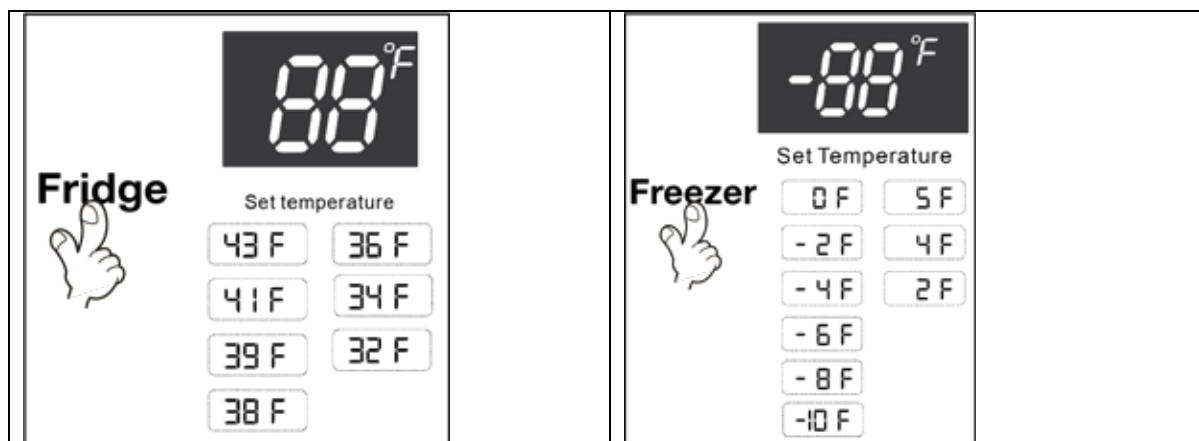
Ø Réglage de la commande de température

· Votre appareil dispose d'une commande pour réguler la température. Le contrôle de température est situé à l'extérieur de la porte du compartiment de réfrigération.

· La première fois que vous mettez l'appareil en marche, l'appareil commencera à la température par défaut réglée en usine, 38°F dans la section réfrigérateur et -02°F dans la partie congélateur.

- La première fois que vous mettez l'appareil en marche, régler la température dans le compartiment réfrigérateur pour 34°F et fonctionner pendant au moins 4 heures avant de placer les aliments à l'intérieur. Cela permettra d'assurer le congélateur est complètement refroidi et le compartiment réfrigérateur sera stabilisé avant de placer la nourriture. Réglez ensuite le réglage de la température au réglage désiré qui convient le mieux à vos besoins.

Pour régler la température dans chaque zone, appuyez sur le bouton de zone appropriée, la zone sélectionnée clignote et hors tension. La température va changer en fonction des températures prédéfinies comme indiqué ci-dessous, vous entendrez un carillon de cloche à chaque pression des touches du panneau de commande.



FONCTIONS: préprogrammées

FAST MODE FREEZE



Ce mode régler la température du congélateur à -18°F pour une chute rapide de la température lors du stockage de grandes quantités d'aliments de chaud ou salle dans le congélateur.

L'unité reste en mode FAST FREEZE pendant 24 heures ou jusqu'à ce que la température atteigne --18°F ou et ensuite revenir au réglage d'origine ou jusqu'à ce que la fonction soit désactivée au niveau du panneau de commande. Les deux FAST et FAST COOL FREEZE peut être exécutés ensemble en même temps.

Pour activer le mode FAST FREEZE, appuyez sur la touche de fonction jusqu'à ce que l'icône FAST FREEZE est allumé. L'icône reste allumée lorsqu'il est activé.

Pour désactiver le FAST mode REPOS, appuyez sur la touche de fonction jusqu'à ce que l'icône FAST FREEZE est désactivé.

FAST COOL MODE



Ce mode régler la température du réfrigérateur à 32 ° F pour une chute rapide de la température lors du stockage de grandes quantités d'aliments de chaud ou chambre au réfrigérateur.

L'unité reste en mode FAST COOL pendant 2 heures et 30 minutes ou jusqu'à ce que la température atteigne 32 ° F et ensuite revenir au réglage d'origine ou jusqu'à ce que la fonction soit désactivée au niveau du panneau de commande. Les deux FAST et FAST COOL FREEZE peut être exécutés ensemble en même temps.

Pour activer le mode FAST COOL, appuyez sur la touche de fonction jusqu'à ce que l'icône FAST COOL est allumé. L'icône reste allumée lorsqu'il est activé.

Pour désactiver la mode FAST COOL, appuyez sur la touche de fonction jusqu'à ce que l'icône FAST COOL est désactivée.

MODE VACANCES



Utilisez ce mode lorsque vous quittez pendant de longues périodes de temps où vous enlèverez la grande majorité du contenu de la section du réfrigérateur, mais laisser le contenu du congélateur.

Le mode de vacances définit automatiquement la section du réfrigérateur à 41°F et la section congélateur à -15°F. L'appareil restera en mode vacances jusqu'à ce qu'il soit désactivé sur le panneau de commande.

Pour activer le mode vacances, appuyez sur la touche de fonction jusqu'à ce que l'icône de vacances soit allumé. L'icône reste allumée lorsqu'il est activé.

Pour désactiver la mode vacances, appuyez sur la touche de fonction jusqu'à ce que l'icône FAST COOL est désactivée

REMARQUE:

- SI L'APPAREIL EST UNPLUGGED, A PERDU DE PUISSANCE OU EST ÉTEINT, VOUS DEVEZ ATTENDRE 3 À 5 MINUTES AVANT REMETTRE L'APPAREIL. SI VOUS ESSAYEZ DE REDÉMARRER AVANT CE RETARD, LA REFRIGERATEUR-CONGELATEUR NE DÉMARRE PAS.

REMARQUE:

NOUS NE L'INSTALLATION DE CONSEILLONS RÉFRIGÉRATEUR où la température descend au-dessous de 50 °F (13°C) OU CI-DESSUS 110°F RISE (43°C). LE COMPRESSEUR NE POURRA PAS DE MAINTENIR APPROPRIÉS À L'INTÉRIEUR DU TEMPÉRATURES FRIGORIFIQUE.

INSTALLATIONS POUR LE CAS OU LES températures CI-DESSOUS 32°F DE LA COMMANDE DE SET TEMPERATURE DE CONGELATEUR DE RÉGLAGE « LE PLUS FROID ». CELA LES OPÉRATIONS DE AMELIORER RÉFRIGÉRATEUR DANS CES CONDITIONS.

ENTRETIEN

Ø Nettoyage de votre appareil

- Débranchez l'appareil et retirez la nourriture et des paniers.
- Laver l'intérieur avec une solution d'eau chaude et le bicarbonate de soude. La solution devrait être d'environ 2 cuillères à soupe de bicarbonate de soude à un litre d'eau.
- Laver les paniers avec une solution de détergent doux.
- L'extérieur de l'appareil doit être nettoyé avec un détergent doux et de l'eau chaude.

MISE EN GARDE

Ne pas débrancher le réfrigérateur-congélateur pourrait entraîner un choc électrique ou de blessure.

Ø Panne électrique

La plupart des pannes de courant sont corrigées en quelques heures et ne devraient pas affecter la température de votre réfrigérateur-congélateur si vous réduisez le nombre de fois que la porte est ouverte. Si la puissance va être hors service pendant une longue période de temps, vous devez prendre les mesures appropriées pour protéger vos aliments.

Ø Temps de vacances

Courtes vacances: Laissez l'appareil fonctionner pendant les vacances de moins de trois semaines.

Longues vacances: Si l'appareil ne sera pas utilisé pendant plusieurs mois, retirez tous les aliments et débranchez le cordon d'alimentation. Nettoyer et sécher soigneusement l'intérieur. Pour prévenir les odeurs et les moisissures, laisser la porte légèrement ouverte: blocage ouverte si nécessaire

Ø Déplacement de votre appareil

- Retirez tous les aliments.
- Fixez solidement vers le bas tous les éléments à l'intérieur de votre appareil en vrac.
- Tournez les vis de réglage à la base pour éviter tout dommage.
- Tape la porte fermée.
- Assurez-vous que l'appareil reste en position verticale pendant le transport.

Ø L'économie d'énergie

- L'appareil doit être situé dans la zone la plus fraîche de la pièce, loin des appareils produisant de la chaleur ou des conduits de chauffage et de lumière directe du soleil.
- Laissez refroidir les aliments chauds à la température ambiante avant de les placer dans l'unité. Surcharge l'unité oblige le compresseur à fonctionner plus longtemps. Les aliments qui gèlent trop lentement peut perdre la qualité ou se gâter.
- Assurez-vous d'emballer les aliments et essuyez les contenants avant de les placer dans l'unité. Cela permet de réduire l'accumulation de givre à l'intérieur du congélateur.
- Organiser des étiquettes et des aliments pour réduire les ouvertures de porte et les recherches prolongées. Retirez autant d'éléments au besoin à un moment donné, et fermer la porte le plus tôt possible.

Ø PROBLÈMES AVEC VOTRE APPAREIL?

Vous pouvez résoudre de nombreux problèmes réfrigérateur-congélateur commun facilement, vous permettant d'économiser le coût d'un appel de service possible. Essayez les suggestions ci-dessous pour voir si vous pouvez résoudre le problème avant d'appeler le service.

GUIDE DE DÉPANNAGE

PROBLÈME	CAUSE POSSIBLE
L'appareil ne fonctionne pas.	Pas branché. Le disjoncteur est déclenché ou il y a un fusible grillé.
Compresseur allume et éteint fréquemment.	La température ambiante est plus chaude que la normale. Une grande quantité de nourriture a été ajoutée au réfrigérateur - congélateur. La porte est ouverte trop souvent. La porte n'est pas complètement fermée. Le contrôle de la température n'est pas réglé correctement. Le joint de la porte ne se referme pas correctement. Le congel réfrigérateur ne possède pas les autorisations correctes.
Vibrations.	Vérifiez assurer que le réfrigérateur - congélateur niveau.
L'unité semble faire trop de bruit.	Ce bruit peut provenir de l'écoulement du fluide frigorigène, ce qui est normal. Comme chaque cycle se termine, vous pouvez entendre des gargouillis causés par le débit de réfrigérant dans votre réfrigérateur - congélateur. Contraction et expansion des parois internes peuvent provoquer des craquements et des. L'unité n'est pas de niveau.
La porte ne se ferme pas correctement.	L'unité n'est pas de niveau. La porte est inversée et pas correctement installé. Le joint est sale. Les paniers sont hors de position.
Le séparateur de section semble être chaud au toucher.	C'est normal La zone du séparateur de sections contient un appareil de chauffage anti-condensation et sera chaude au toucher pendant le cycle anti-condensation pour empêcher la formation de condensation entre les deux sections.

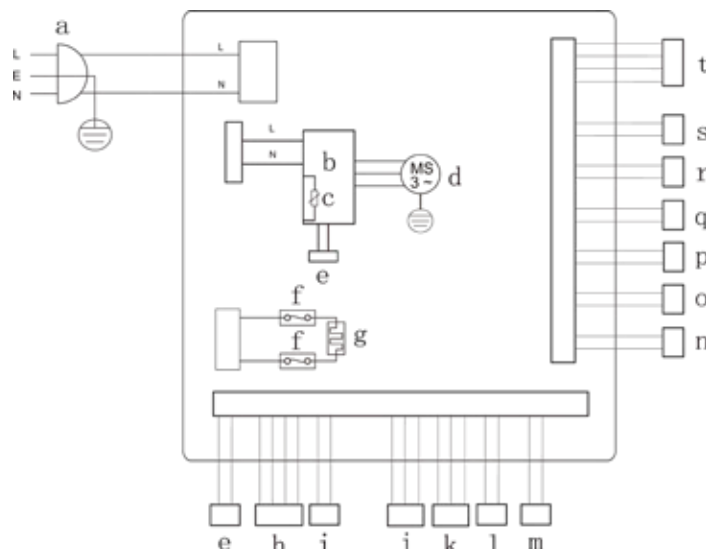
SERVICE DE VOTRE APPAREIL

Nous sommes fiers de notre organisation de service à la clientèle et le réseau de techniciens de services professionnels qui offrent des services sur vos appareils Avanti. Avec l'achat de votre appareil Avanti, vous pouvez avoir la certitude que si vous avez besoin d'informations ou de l'aide de l'équipe du service à la clientèle Produits Avanti sera là pour vous. Il suffit de nous appeler au numéro sans frais.

AVANTI PRODUITS SERVICES CLIENTS

Information produit 800-323 5029	Quels que soient vos questions sont sur nos produits, l'aide est disponible.
Commande de pièces 800-220 5570	Vous pouvez commander des pièces et accessoires qui seront livrés directement à votre domicile. Vous pouvez commander ces articles par chèque personnel, de l'argent, Master Card ou Visa.
In-Home Repair Service 800-220 5570	Un centre de service Avanti Les produits autorisés fournira un service de réparation expert, prévue à un moment qui vous convient. Nos réparateurs formés connaissance de l'appareil à l'intérieur et à l'extérieur.

SCHEMA



A	PRISE DE COURANT	K	VENTILATEUR – CONGELATEUR
B	INVERTER	L	ECLAIRAGE DU REFRIGERATEUR
C	PROTECTEUR DE COMPRESSEUR	M	ECLAIRAGE DE CONGELATEUR
D	COMPRESSEUR	N	INTERREPTEUR DE CONGELATEUR
E	SIGNAL	O	INTERREPTEUR DE REFRIGERATEUR
F	PROTECTEUR	P	SENSOR – DEGRIVAGE
F	RECHAUFFER – DEGRIVAGE	Q	SENSOR – CONGELATEUR
H	MOTEUR PAS A PAS	R	SENSOR – REFRIGERATEUR
I	RECHAUFFER – SEPARATEUR	S	SENSOR
J	VENTILATEUR – COMPRESSEUR	T	PANNEAU DE CONTROLE

<p align="center">VOS PRODUITS AVANTI GARANTIE</p>	<p>Agrafez votre reçu de vente ici. Preuve de la date d'achat est nécessaire pour obtenir le service sous garantie.</p>
<p><u>CE QUI EST COUVERT - GARANTIE LIMITÉE D'UN AN</u></p>	
<p>Avanti Products garantit que le produit est exempt de tout défaut de matériaux et / ou de fabrication pendant une période de douze (12) mois à compter de la date d'achat par le propriétaire initial. La période commence à courir à la date d'achat, et ne sera pas retardée, restreinte, prolongée ou suspendu pour quelque raison que ce soit, sauf si décrit en détail dans le document de garantie. Pendant un an à compter de la date d'achat par le propriétaire initial, les produits Avanti, à sa discrétion, de réparer ou de remplacer une partie du produit qui se révèle un défaut matériel ou de fabrication en utilisation normale. Avanti Products vous fournira un produit raisonnablement semblable nouveau ou remis à neuf. Au cours de cette période Avanti Products fournira toutes les pièces et la main-d'œuvre nécessaires pour corriger ces défauts gratuitement, tant que le produit a été installé et utilisé conformément aux instructions écrites dans ce manuel. En location ou l'utilisation commerciale, la période de garantie est de 90 jours. Tous les appareils Avanti de 4,2 cylindrées pieds ou moins doivent être portées / envoyé au centre de service de l'appareil pour la réparation.</p>	
<p><u>DEUXIÈME LIMITÉE PAR LA GARANTIE cinquième année consécutive</u></p>	
<p>Pour la deuxième à la cinquième année à compter de la date d'achat, Avanti Products fournira un compresseur de remplacement sans frais en raison d'une défaillance. Vous êtes responsable des frais de main-d'œuvre de services et de marchandises. En location ou l'utilisation commerciale, la garantie du compresseur est limitée à un an et neuf mois. Les coûts impliqués pour déplacer le produit au centre de service et de retour à la maison de l'utilisateur, comme peut-être nécessaire, sont la responsabilité de l'utilisateur.</p>	
<p><u>EXCLUSIONS DE LA GARANTIE / EXCLUSIONS DE LA GARANTIE:</u></p>	
<p>La couverture de la garantie décrite aux présentes exclut tous les défauts ou les dommages qui ne sont pas la faute directe de Avanti produits, y compris, sans s'y limiter, un ou plusieurs des éléments suivants:</p>	
<ul style="list-style-type: none"> • Un non-respect de tout État applicable, local, ville ou comté électricité, plomberie et / ou des codes du bâtiment, des règlements ou des lois, y compris le défaut d'installer le produit en stricte conformité avec les codes et les règlements incendie et de construction. • Toutes les forces et les facteurs externes, élémentaires et / ou l'environnement, y compris sans s'y limiter, la pluie, le vent, le sable, les inondations, les incendies, les coulées de boue, des températures glaciales, l'humidité excessive ou à une exposition prolongée à l'humidité, la foudre, les surtensions, les défaillances structurelles entourant l'appareil, et les actes de Dieu. 	
<ul style="list-style-type: none"> • Les pertes de contenu alimentaire ou tout autre contenu en raison de la détérioration. • Dommages accidentels ou indirects • Pièces et coût du travail pour les éléments suivants ne seront pas considérées comme une garantie: <ul style="list-style-type: none"> • Portes, ressorts d'Évaporateur porte, et / ou des cadres. • Panneaux de portes intérieures, des étagères de porte, rails de porte, et / ou des supports de porte. • Bac à légumes. • Les ampoules et / ou boîtier en matière plastique. • Doublures en plastique du boîtier. • Évaporateur crevée qui annule la garantie sur le système scellé complet. 	<ul style="list-style-type: none"> • Frais d'expédition et de manutention associés au remplacement de l'unité. • Les réparations effectuées par des services de non autorisées. • Les appels de service qui sont liés à des problèmes externes, tels que l'abus, une mauvaise utilisation, une alimentation électrique inadéquate, les accidents, les incendies, les inondations, ou tout autre acte de Dieu. • Une panne du produit si elle est utilisée pour autre que son intention objective. • La garantie ne couvre pas en dehors des États-Unis continentaux. • Y compris les suppléments, mais sans s'y limiter, une heure après, le week-end ou des appels de service, les péages, les vacances frais de voyage en ferry ou les frais de kilométrage pour les appels de service dans les régions éloignées.
<p>En aucun cas Avanti Les produits ont toute responsabilité pour les dommages aux biens environnants, y compris les armoires, les planchers, les plafonds et autres structures et / ou des objets autour du produit. Sont également exclus de cette garantie sont des rayures, des entailles, des petites bosses et autres dommages esthétiques sur les surfaces externes et les parties exposées; Produits sur lesquels les numéros de série ont été modifiés, illisible ou enlevé; visites de service pour l'éducation à la clientèle, ou des visites où il n'y a rien de mal avec le produit; correction des problèmes d'installation (vous êtes seul responsable de toute structure et réglage du produit, y compris tous les systèmes électriques, de plomberie et / ou d'autres installations de raccordement, pour un plancher / fondation appropriée, et pour toute modification, y compris sans armoires de limitation, les murs, les planchers, les étagères etc.,</p>	
<p><u>HORS DE PRODUIT GARANTIE</u></p>	
<p>Avanti Products est pas tenu, par la loi ou autrement, pour vous fournir toutes les concessions, y compris les réparations, pro-taux, ou le remplacement du produit, une fois la garantie expirée.</p>	

GARANTIE - REFRIGERATION - COMPRESSEUR

REGISTRATION INFORMATION

Thank you for purchasing this fine Avanti product. Please fill out this form and return it to the following address within 100 days from the date of purchase and receive these important benefits:

Avanti Products LLC.
P.O.Box 520604 – Miami, Florida 33152

Ø **Protect your product:**

We will keep the model number and date of purchase of your new Avanti product on file to help you refer to this information in the event of an insurance claim such as fire or theft.

Ø **Promote better products:**

We value your input. Your responses will help us develop products designed to best meet your future needs.

------(detach here)-----

Avanti Registration Card

Name	Model #	Serial #
Address	Date Purchased	Store / Dealer Name
City	State	Zip
E-mail Address		
Area Code	Phone Number	Occupation
Did You Purchase An Additional Warranty	As your Primary Residence, Do You:	
<input type="checkbox"/> Extended <input type="checkbox"/> None	<input type="checkbox"/> Own <input type="checkbox"/> Rent	
Reason for Choosing This Avanti Product: Please indicate the most important factors That influenced your decision to purchase this product:	Your Age:	
<input type="checkbox"/> Price <input type="checkbox"/> Product Features <input type="checkbox"/> Avanti Reputation <input type="checkbox"/> Product Quality <input type="checkbox"/> Salesperson Recommendation <input type="checkbox"/> Other: _____ <input type="checkbox"/> Friend / Relative Recommendation <input type="checkbox"/> Warranty <input type="checkbox"/> Other: _____	<input type="checkbox"/> under 18 <input type="checkbox"/> 18-25 <input type="checkbox"/> 26-30 <input type="checkbox"/> 31-35 <input type="checkbox"/> 36-50 <input type="checkbox"/> over 50	
Comments:	Marital Status: <input type="checkbox"/> Married <input type="checkbox"/> Single	
	Is This Product Used In The: <input type="checkbox"/> Home <input type="checkbox"/> Business	
	How Did You Learn About This Product: <input type="checkbox"/> Advertising <input type="checkbox"/> In-Store Demo <input type="checkbox"/> Personal Demo	

FFS157L3S

06242019

PRINTED IN CHINA