



24" Freestanding Electric Range

Coil Range

Available Products: FFEH2422US, FFEH2422UW

Available Colors: Stainless Steel, White

Version: 08/22

Product Specifications

Cooktop

Cooking Surface Type	Coil
Drip Bowl Type	Porcelain

Oven

Bake System	Yes
Bake Element Type	Hidden
Bake Element Pass	4
Bake Element	1,000 Watts
Broil System	Yes
Broil Element Pass	4
Broil Element	1,650 Watts
Rack Position Type	Nickel Ladder
Number of Rack Positions	3
Rack Type 1	Flat
Rack Type 1 Quantity	2
Oven Interior Color	Midnight Black
Window Type	Extra Large Window

Controls

Sabbath Mode	No
--------------	----

Dimensions and Volume

Width	23 1/2"
Depth	23 5/8"
Depth With Door 90° Open	41 1/2"
Oven Interior Height	12 7/8"
Oven Interior Width	16 3/8"
Oven Interior Depth	16.06"
Minimum Height	35 7/8"
Maximum Height	36 7/8"
Oven Capacity	1.9 Cu. Ft.

Installation

Power Supply Connection Location	Bottom Left
----------------------------------	-------------

Certifications and Approvals

ADA Compliant	Yes
---------------	-----

Cooktop Performance

Right Front Element Burner Size	8"
Right Rear Element Burner Size	6"
Left Front Element Burner Size	6"
Left Rear Element Burner Size	8"
Right Front Element Burner	2,400 Watts
Right Rear Element Burner	1,500 Watts
Left Front Element Burner	1,500 Watts
Left Rear Element Burner	2,400 Watts

Drawer

Drawer Type	Storage
-------------	---------

Display

Control Location	Front
------------------	-------

Electrical Specifications

Amps @ 240 Volts	31.3 Amps
Minimum Circuit Required	40 Amps
Voltage Rating	240 V

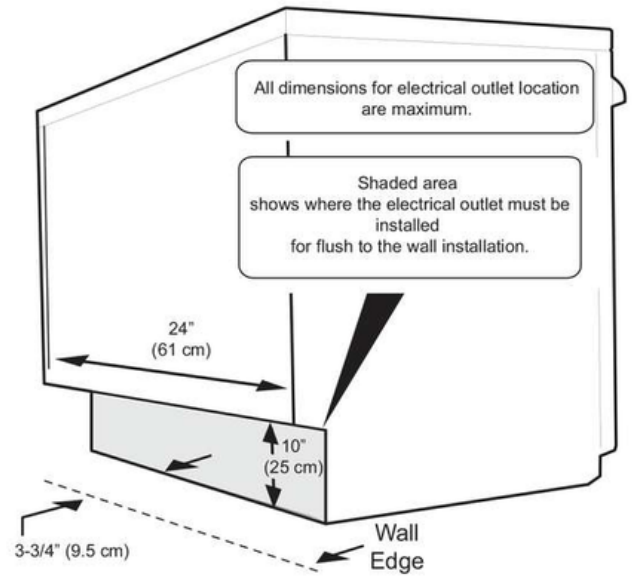
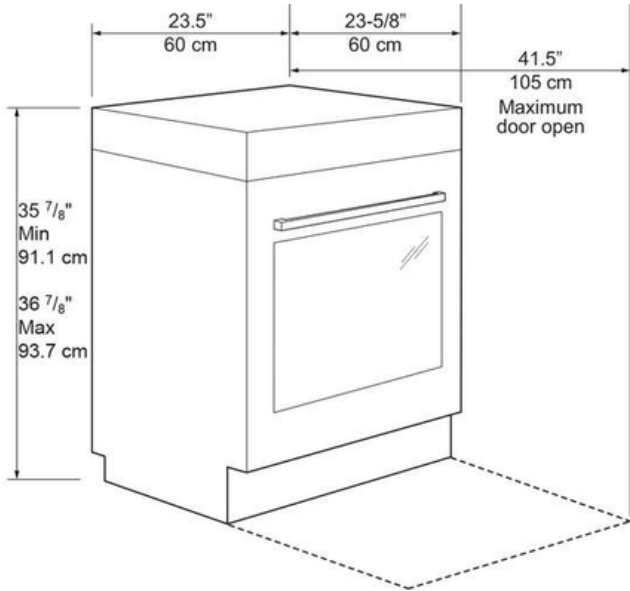
General Specifications

Prop 65 Label	No
Warranty - Labor	1 Year
Warranty - Parts	1 Year

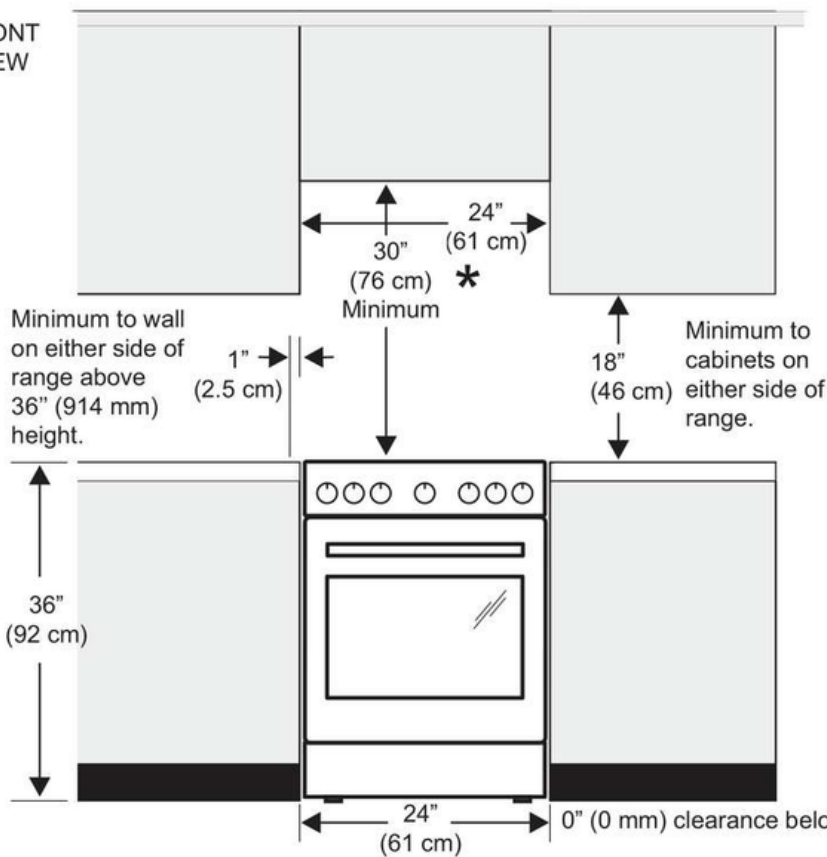
Safety Certifications and Approvals

UL Listed	Yes
-----------	-----

Installation Diagram



FRONT VIEW



SIDE VIEW

