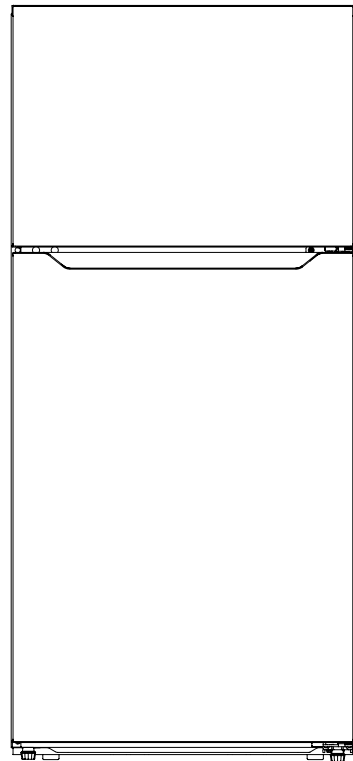


Avanti®

EN

REFRIGERATOR

USER MANUAL



Warning:
Before using this product, please read this manual carefully and keep it for future reference. The design and specifications are subject to change without prior notice. Consult with your dealer or manufacturer for details.

**MODEL: FF14DOW-4 /
FF14D3S-4**

www.avantiproducts.com

Dear user

THANK YOU and CONGRATULATIONS on your purchase of this high-quality Avanti product. Your Avanti refrigerator is designed for reliable, trouble-free performance.

For future reference, please record your product model and serial number on the back of the product or above the compressor compartment on the right.

Model Number _____

Serial Number _____

HELP US HELP YOU...

Read this guide carefully.

It is intended to help you operate and maintain your new refrigerator-freezer properly.

Keep it handy to answer your questions. If you don't understand something or you need more assistance, please call:

Avanti Customer Service
800-220-5570

Keep proof of original purchase date (such as your sales slip) with this guide to establish the warranty period.

CAUTION:

THIS REFRIGERATOR-FREEZER IS NOT DESIGNED FOR THE STORAGE OF MEDICINE OR OTHER MEDICAL PRODUCTS.

IF YOU NEED SERVICE

We're proud of our service and want you to be pleased. If for some reason you are not happy with the service you receive, here are some steps to follow for further assistance.

FIRST, contact the people who serviced your refrigerator-freezer. Explain why you are not satisfied. In most cases, this will solve the problem.

NEXT, if you are still not pleased, write all the details, including your telephone number, and send it to:

Customer Service
Avanti Products
3265 Meridian Pkwy #114
Weston, FL 33331

TABLE OF CONTENT

1.SAFETY INFORMATION	4
2.PROPER USE OF REFRIGERATOR	11
2.1 PLACEMENT.....	11
2.2 ENERGY SAVING TIPS	12
2.3 CHANGING THE LIGHT.....	12
2.4 START TO USE.....	13
2.5 COMPONENTS	14
2.6 FUNCTIONS	16
2.7 REVERSE DOOR HINGES (Optional)	17
2.8 LEVELING FEET	20
3.MAINTENANCE OF REFRIGERATOR.....	21
3.1 OVERALL CLEANING.....	21
3.2 DEFROSTING.....	22
3.3 OUT OF OPERATION	22
4.TROUBLE SHOOTING.....	23
5.WARRANTY	25

1. SAFETY INFORMATION

YOUR SAFETY AND THE SAFETY OF OTHERS ARE VERY IMPORTANT

To prevent injury to the user or other persons and property damage, these instructions must be followed. Incorrect operation due to ignoring instructions may cause harm or damage, including death.

The level of risk is shown by the following indications.



Prohibition symbol

This is a prohibition symbol.

Any in compliance with instructions marked with this symbol may result in damage to the product or endanger the personal safety of the user.



Warning symbol

This is a warning symbol.

It is required to operate in strict observance of instructions marked with this symbol; otherwise damage to the product or personal injury may be caused.



Cautioning symbol

This is a cautioning symbol.

Instructions marked with this symbol require special caution. Insufficient caution may result in slight or moderate injury or damage to the product.

IMPORTANT SAFETY INSTRUCTIONS



Risk of fire / Flammable materials

WARNING

- This appliance is intended to be used in household and similar applications such as staff kitchen areas in shops, offices and other working environments; farm houses and by clients in hotels, motels and other residential type environments; bed and breakfast type environments; catering and similar non-retail applications.
- This appliance is not intended for use by persons (including children) with reduced physical, sensory or mental capabilities, or lack of experience and knowledge, unless they have been given supervision or instruction concerning use of the appliance by a person responsible for their safety.

- Children should be supervised to ensure that they do not play with the appliance.
- If the supply cord is damaged, it must be replaced by the manufacturer, its service agent or similarly qualified persons in order to avoid a hazard.
- Do not store explosive substances such as aerosol cans with a flammable propellant in this appliance.
- The appliance has to be unplugged after use and before carrying out user maintenance.
- **WARNING:** Keep ventilation openings in the appliance enclosure or in the built-in structure clear of obstructions.
- **WARNING:** Do not use mechanical devices or other means to accelerate the defrosting process, other than those recommended by the manufacturer.
- **WARNING:** Do not damage the refrigerant circuit.
- **WARNING:** Do not use electrical appliances inside the food storage compartments of the appliance, unless they are of the type recommended by the manufacturer.
- **WARNING:** Please dispose of the refrigerator according to local regulations since it uses flammable blowing gas and refrigerant.
- **WARNING:** When positioning the appliance, ensure the supply cord is not trapped or damaged.
- **WARNING:** Do not place multiple portable socket-outlets or portable power supplies at the rear of the appliance.
- **WARNING:** Do not use extension cords or ungrounded (two prong) adapters.
- **WARNING:** To avoid a hazard due to instability of the appliance, it must be fixed in accordance with the instructions.
- To Prevent Children From Being Entrapped, The Keys Must Be Kept Out Of Reach Of Children And Not In The Vicinity Of Chest Freezer (Or Refrigerator) (suitable for products with locks).




DANGER

- Risk of child entrapment. Before you dispose of your old refrigerator or chest freezer:
 - Take off the doors.
 - Leave the shelves in place so that children may not easily climb inside.
- The refrigerator must be disconnected from mains power before attempting the installation of accessories.
- Refrigerant and cyclopentane foaming material used for the appliance are flammable. Therefore, when the appliance is scrapped, it shall be kept away from any fire source and be recovered by a special recovering company with corresponding qualification other than be disposed by combustion, so as to prevent damage to the environment or any other harm.
- For doors or lids fitted with locks, the keys must be kept out of reach of children and not in the vicinity of the refrigerating appliance, in order to prevent children from being locked inside.

SAVE THESE INSTRUCTIONS

THIS APPLIANCE IS FOR HOUSEHOLD USE ONLY

State of California Proposition 65 Warnings:

 **WARNING:** Cancer and Reproductive Harm
-www.P65Warnings.ca.gov.

PROPER DISPOSAL

WARNING

Suffocation Hazard

Before you dispose of your old chest freezer or refrigerator:

- Remove the door or lid so that children cannot hide or get trapped inside your old appliance.
- Leave any shelves in place so that children may not easily climb inside.
- Failure to follow these instructions can result in death or brain damage.

IMPORTANT:

Flammable gas and refrigerant used. It is the consumer's responsibility to comply with Federal and Local regulations when disposing of this product. Refrigerants must be evacuated by a licensed, EPA-certified refrigerant technician in accordance with established procedures.

ELECTRICITY-RELATED WARNINGS

- Do not pull the power cord when pulling the power plug of the refrigerator. Please firmly grasp the plug and pull out from the socket.
- To ensure safe use, do not damage the power cord or use the power cord when it is damaged or worn.
- Please use a dedicated power socket; the power socket shall not be shared with other electrical appliances.
- The power cord should be firmly contacted with the socket, otherwise fire may be caused.
- Please ensure that the grounding electrode of the power socket is equipped with a reliable grounding line.
- Please turn off the valve of leaking gas and open the doors and windows in case of leakage of gas and other flammable substances. Do not unplug the refrigerator and other electrical appliances considering that spark may cause a fire.

- Do not use electrical appliances on top of the appliance, unless they are of the type recommended by the manufacturer.

WARNINGS RELATED TO PLACING ITEMS

- Do not place flammable, explosive, volatile and highly corrosive items in the refrigerator to prevent damages to the product or fire accidents.
- Do not place flammable items near the refrigerator to avoid fire.
- This product is a household refrigerator and is only suitable for the storage of food. According to national standards, a household refrigerator shall not be used for other purposes, such as storage of blood, drugs or biological products.
- Do not store beer, beverages or other fluids contained in bottles or enclosed containers in the freezing chamber of the refrigerator, otherwise the bottles or enclosed containers may crack due to freezing and cause damages.

WARNINGS FOR USE

- Do not arbitrarily disassemble or reconstruct the refrigerator, nor damage the refrigerant circuit; maintenance of the appliance must be conducted by a specialist.
- A damaged power cord must be replaced by the manufacturer, its maintenance department or related professionals in order to avoid danger.
- The gaps between refrigerator door and body are small. Do not place your hands in these areas to prevent squeezing your fingers. Please be gentle when opening the refrigerator door to avoid articles falling out.
- Do not pick up food or containers with wet hands in the freezing chamber when the refrigerator is running, especially metal containers in order to avoid frostbite.
- Do not allow children to enter or climb inside the refrigerator to prevent that children are sealed in the refrigerator or injured by the falling refrigerator.
- Do not spray or wash the refrigerator; do not place the refrigerator in moist places easy to be splashed with water so as not to affect the electrical insulation properties of the refrigerator.
- Do not place heavy objects on top of the refrigerator considering that objects may fall when opening the door, and accidental injuries might be caused.
- Please pull out the plug in case of power failure or cleaning. Do not connect the refrigerator to power supply within five minutes to prevent damages to the compressor due to successive starts.

ENERGY WARNINGS

- 1.** Refrigerating appliances might not operate consistently (possibility of defrosting of contents or temperature becoming too warm in the frozen food compartment) when set for an extended period of time below the cold end of the temperature range for which the refrigerating appliance is designed.
- 2.** Sparkling beverages shall not be stored in a freezing chamber or a lower temperature compartment. Certain drinks (such as ice water) shall not be too cold for drinking.
- 3.** Do not exceed the storage time(s) recommended by the food manufacturers for any kind of food and particularly for commercially quick-frozen food in food-freezer and frozen-food storage compartments or cabinets.
- 4.** Prevent an undue rise in temperature of frozen food while defrosting the refrigerating appliance, such as wrapping the frozen food in several layers of newspaper.
- 5.** A rise in temperature of frozen food during manual defrosting, maintenance or cleaning can shorten the storage life.

DISPOSAL



Refrigerant and cyclopentane foaming material used for the refrigerator are flammable. Therefore, when the refrigerator is scrapped, it shall be kept away from any fire source and be recovered by a special recovering company with corresponding qualification other than be disposed by combustion, so as to prevent damage to the environment or any other harm.



When the refrigerator is scrapped, disassemble the doors, and remove gaskets of door and shelves; place the doors and shelves in a proper place, so as to prevent trapping children.

Correct Disposal of this product:



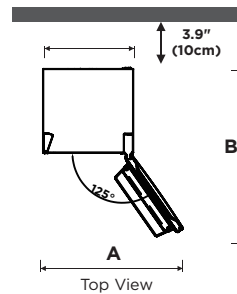
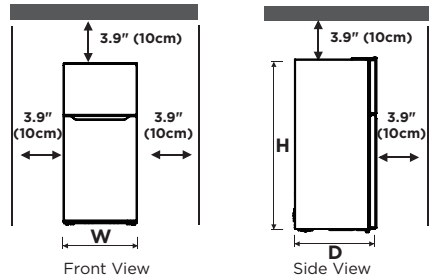
This marking indicates that this product should not be disposed with other household waste. To prevent possible harm to the environment or human health from uncontrolled waste disposal, recycle it responsibly to promote the sustainable reuse of material resources. To return your used device, please use the return and collection systems or contact the retailer where the product was purchased. They take this product in for environmental safe recycling.

2. PROPER USE OF REFRIGERATOR

2.1 PLACEMENT

- Before use, remove all packing materials, including bottom pads, foam pads and tapes inside of the refrigerator; tear off the protective film on the doors and the refrigerator body.
- Keep away from heat and avoid direct sunlight. Do not place the refrigerator in moist or wet places to prevent rust or reduction of the insulating effect.
- Do not spray or wash the refrigerator; do not place the refrigerator in moist places easy to be splashed with water so as not to affect the electrical insulation properties of the refrigerator.
- The refrigerator is placed in a well-ventilated indoor place; the floor must be flat and sturdy (rotate left or right to adjust the wheel for levelling if unstable).

- The space on top of the refrigerator shall be greater than 11.8" (30 cm), and the refrigerator should be placed against a wall with a distance of more than 3.9" (10cm) to facilitate heat dissipation.
- Spare enough space for convenient opening of doors and drawers according to the statement of the distributor.



Width "W"	27.6" (70cm)
Depth "D"	28.8" (73.1cm)
Height "H"	60.6" (154cm)
A	42.7" (108cm)
B	51.6" (131cm)

NOTE

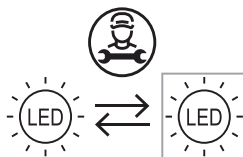
This refrigerator needs to be installed independently and cannot be used as a built-in. Otherwise, it will cause problems such as failure to install into the cabinet, the performance and life of the product are reduced. And the manufacturer does not provide basic product warranty.

2.2 ENERGY SAVING TIPS

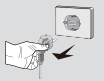
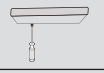


- The appliance should be located in the coolest area of the room, away from heat producing appliances or heating ducts, and out of direct sunlight.
- Let hot foods cool down to room temperature before placing it in the appliance. Overloading the appliance forces the compressor to run longer. Food that freezes too slowly may lose quality, or spoil.
- Be sure to wrap food properly, and wipe containers dry before placing them in the appliance. This cuts down on frost build-up inside the appliance.
- Appliance storage bins should not be lined with tin foil, wax paper, or paper toweling. Liners interfere with cold air circulation, making the appliance less efficient.
- Organize and label food to reduce door openings and extended searches. Remove as many items as needed at one time, and close the door as soon as possible.

2.3 CHANGING THE LIGHT

- Any replacement or maintenance of the LED lamps is intended to be made by the manufacturer, its service agent or similar qualified persons.



The light source in this product is only to be replaced by qualified engineers.

	1. First remove the plug.
	2. Remove the light cover with a screwdriver.
	3. Take down the lamp panel.
	4. Remove the connection terminal.

2.4 START TO USE

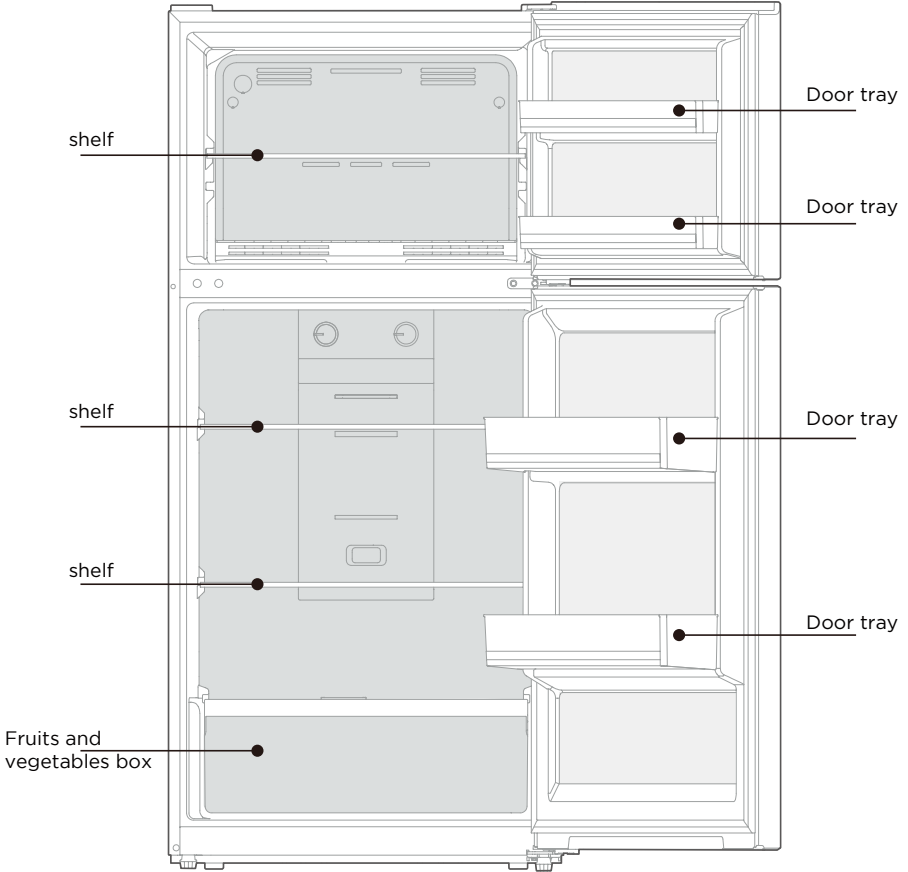
- Before initial start, keep the refrigerator still for two hours before connecting it to power supply.
- Before placing any fresh or frozen foods, the refrigerator should have run for 2 - 3 hours, or for above 4 hours in summer when the ambient temperature is high.

NOTE

This product is not recommended for use with sockets or main switch with the A/GFCI function, otherwise it may cause false tripping.

- 1. It's not pose a safety risk when tripped.**
- 2. If tripping persists, it is recommended to replace the sockets or main switch without A/GFCI function.**

2.5 COMPONENTS



The picture above is for reference purposes only.

Refrigerating chamber

- The Refrigerating chamber is suitable for storage of a variety of fruits, vegetables, beverages and other short-term food, but the vegetables should be as far away from the refrigeration air supply outlet as possible.
- Cooking foods shall not be put in the refrigerating chamber until cooled to room temperature.
- Foods are recommended to be sealed up before putting into the refrigerator.
- The glass shelves can be adjusted up or down for a reasonable amount of storage space and easy use.

Freezing chamber

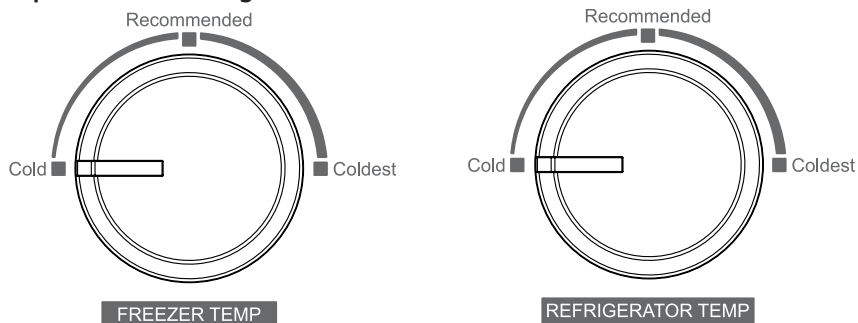
- The low temperature freezing chamber may keep food fresh for a long time and it is mainly used to store frozen foods and making ice.
- The freezing chamber is suitable for storage of meat, fish, rice balls and other foods not to be consumed in short term.
- Chunks of meat are preferably to be divided into small pieces for quick freezing and easy access. Please be noted food shall be consumed within the shelf time.

IMPORTANT:

Drawers, food boxes, shelves, etc. placed according to the position in the picture above are the most energy efficient.

2.6 FUNCTIONS

Temperature Controlling Knob



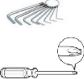



The picture above is for reference purposes only.

The temperature control dials are located at the rear wall of the fridge. The freezer dial is on the left and the refrigerator dial is on the right. The recommended settings are sufficient for regular home use.

2.7 REVERSE DOOR HINGES (Optional)

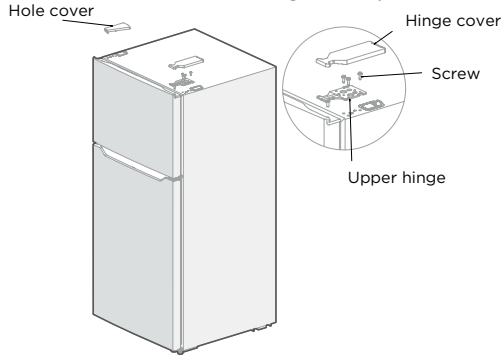
Precautions before operation:

- Before making changes the refrigerator must be disconnected from power. Before adjusting the door, precautions should be taken to prevent any personal injury.

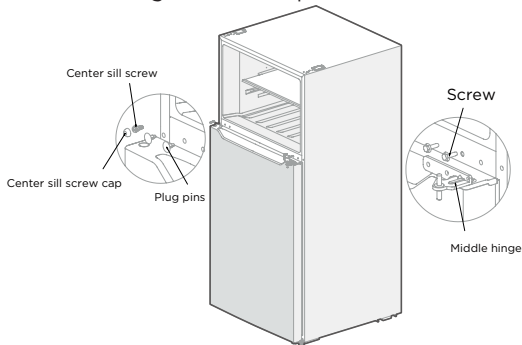
List of tools to be provided to the user			
	Phillips screwdriver		Putty knife, thin-blade screwdriver
	5/16" socket and ratchet		Masking tape

Parts to be used for door reverse			
SN	parts	Quantity	Notes
1	Upper hinge	1	Pre installed on the box and still needs to be used when changing the door
2	Upper hinge cover	1	Pre installed on the box and still needs to be used when changing the door
3	Upper hinge axle sleeve	1	Pre installed on the door and still needs to be used when changing the door
4	Upper hinge screw	3	Pre installed on the box and still needs to be used when changing the door
5	Hole cover	1	Pre installed on the box and still needs to be used when changing the door
6	Middle hinge screw	2	Pre installed on the box and still needs to be used when changing the door
7	Middle hinge	1	Pre installed on the box and still needs to be used when changing the door
8	Hole plug	2	Pre installed on the box and still needs to be used when changing the door
9	Adjustable foot	1	Pre installed on the box and still needs to be used when changing the door
10	Center sill screw	2	Pre installed on the box and still needs to be used when changing the door
11	Center sill screw cap	1	Pre installed on the box and still needs to be used when changing the door
12	Lower hinge screw	3	Pre installed on the box and still needs to be used when changing the door
13	Lower hinge	1	Pre installed on the box and still needs to be used when changing the door
14	Stopper	2	Pre installed on the door and still needs to be used when changing the door
15	Stopper screw	2	Pre installed on the door and still needs to be used when changing the door
16	Right door self-locking	2	Pre installed on the door body, removed when changing the door, and retained
17	Left door self-locking	2	Put it in the accessory bag and use it when changing the door
18	Screw self-locking	2	Pre installed on the door and still needs to be used when changing the door
19	Hole plug	1	Pre installed on the door and still needs to be used when changing the door

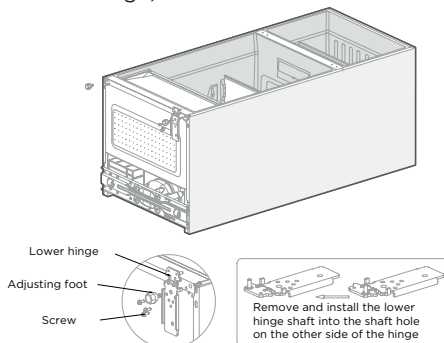
- 1) Unplug the refrigerator and take out all the food in the refrigerator;
- 2) Remove the right hinge cover, screws and upper hinge on the top of the box, and the hole cover on the left;take out the freezing door upwards.



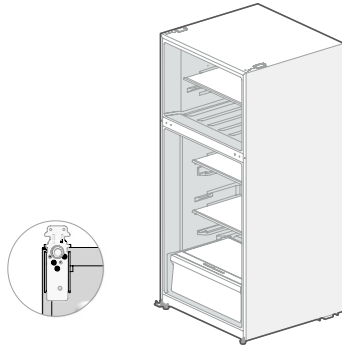
- 3) Unscrew the hinge screws, remove the middle hinge, remove the hole cover (plug screw), screw cap and middle beam screw on the middle beam, and take out the door body of the cold storage chamber upwards.



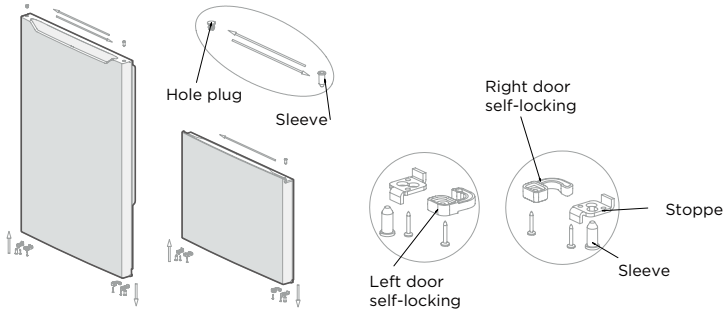
- 4) Put the refrigerator down, unscrew the lower hinge screw and adjusting foot, remove the lower hinge, remove the lower hinge shaft and install it into the shaft hole on the other side of the hinge;



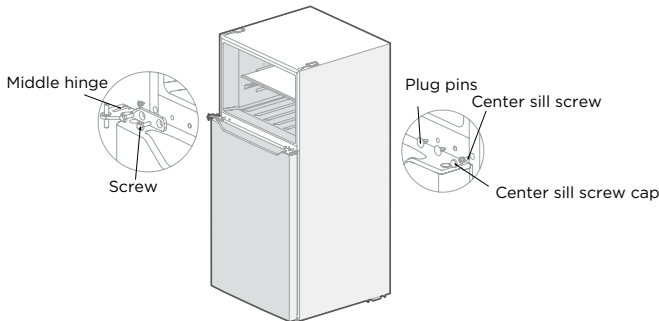
5) Install the lower hinge and tighten the screws on the left side of the refrigerator, install two adjusting feet, and erect the refrigerator.



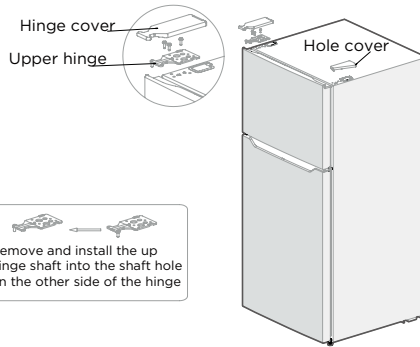
6) Unscrew and remove the shaft sleeves, door stops and right door self-locking screws of the two door bodies, take out the left door self-locking from the accessory bag, and install it to the left corner of the door body together with the door stops and shaft sleeves. Take out the hole plug and shaft sleeve on the upper part of the cold storage door and adjust their positions before installing them into the door body. Take out the shaft sleeve on the freezing door and install it on the other side.



7) Install the refrigerated door on the lower hinge, install the center beam screws, center hinge and tighten the screws on the left side, and cover the hole cover (plug screw), center beam screws and screw caps on the right side.



8) Install the freezing door on the middle hinge, remove the upper hinge shaft and install it into the shaft hole on the other side of the hinge, install the upper hinge and tighten the screws, and install the upper hinge cover and the right hole cover;



The picture above is only for reference. The actual configuration will depend on the physical product or statement by the distributor

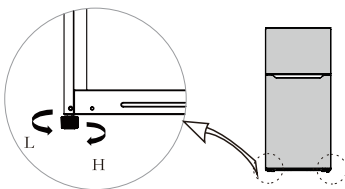
2.8 LEVELING FEET

1) Precautions before operation:

Before making changes the refrigerator must be disconnected from power.

Before adjusting the leveling feet, precautions should be taken to prevent any personal injury.

2) Schematic diagram of leveling feet



3) Adjusting procedures:

- a. Turn the feet clockwise to raise the refrigerator.
- b. Turn the feet counter-clockwise to lower the refrigerator.

c. Adjust the right and left feet based on the procedures above to a horizontal level.

IMPORTANT:

The picture above is only for reference. The actual configuration will depend on the physical product or statement by the distributor

3. MAINTENANCE OF REFRIGERATOR

3.1 OVERALL CLEANING

- Dust behind the refrigerator and on the floor must be cleaned to improve the cooling effect and energy saving.
 - Check the door gasket regularly to make sure there is no debris. Clean the door gasket with a soft cloth dampened with soapy water or diluted detergent.
 - The interior of the refrigerator should be cleaned regularly to avoid odors.
 - Please turn off the power before cleaning the interior, remove all food, drink, shelves, drawers, etc.
 - Use a soft cloth or sponge to clean the inside of the refrigerator with two tablespoons of baking soda and a quart of warm water. Then rinse with water and wipe clean. After cleaning, open the door and let it dry naturally before turning on the power.
 - For areas that are difficult to clean inside the refrigerator (such as narrow places, gaps or corners), we recommend to wipe them regularly with a soft rag, soft brush, etc. and when necessary, with some tools (such as thin sticks) to ensure no contaminants or bacterial accumulation in these areas.
 - Do not use soap, detergent, scrub powder, spray cleaner, etc., as these may cause odors inside the refrigerator or contaminate food.
- Clean the door tray, shelves and drawers with a soft cloth dampened with soapy water or diluted detergent. Dry with a soft cloth or dry naturally.
 - Wipe the outer surface of the refrigerator with a soft cloth dampened with soapy water, detergent, etc., and then wipe dry.
 - Do not use hard brushes, scouring pads, wire brushes, abrasives (such as toothpaste), organic solvents (such as alcohol, acetone, banana oil, etc.), boiling water, acid or alkaline items, which may damage the fridge surface and interior. Boiling water and organic solvents such as benzene may deform or damage plastic parts.
 - Do not rinse directly with water or other liquids during cleaning to avoid short circuit or affect electrical insulation after immersion.



Unplug the refrigerator for defrosting and cleaning.

3.2 DEFROSTING

- Frost formed due to change of season or temperature may also be manually removed by disconnection of the appliance from power supply or by wiping with a dry towel.

3.3 OUT OF OPERATION

- Power failure: In case of power failure, even if it is in summer, food inside the appliance can be kept for several hours; during the power failure, the times of opening the doors must be reduced, and no more fresh food should be placed into the appliance.
- Long-term non-use: Unplug and clean the appliance and leave the doors open to prevent odors.
- Moving: Before the refrigerator is moved, take all objects out, fix the glass partitions, vegetable holder, freezing chamber drawers etc. with tape, and tighten the leveling feet; close the doors and fix them with tape. During the move, the appliance must not be laid upside down or horizontally, or be exposed to strong vibration; the inclination during the move should be no more than 45°.

IMPORTANT:

The appliance shall run continuously once it is started. Generally, the operation of the appliance shall not be interrupted; otherwise the service life may be impaired

4. TROUBLE SHOOTING

The following simple issues can be handled by the user. Please call the after-sale service department if the issues are not solved.

Malfunction	Check whether the appliance is connected to power or whether the plug is inserted properly. Check whether the voltage is too low. Check whether there is a power failure or circuits have tripped.
Odor	Odorous food should be tightly wrapped. Check whether there is any rotten food. Clean the inside of the refrigerator.
Long operation of the compressor	Long operation of the refrigerator is normal in summer when the ambient temperature is high. We do not suggest placing too much food in the appliance at the same time. Food must cool down before being placed in the appliance. The doors are opened too frequently.
Light fails to turn on	Check whether the refrigerator is connected to power supply and whether the illuminating light is damaged. Have the light replaced by a specialist.
Door cannot be properly closed	The door is stuck by food packages. The refrigerator is tilted.
Loud noises	Check whether the floor is level and whether the refrigerator is placed in a stable position. Check whether accessories are placed at proper locations.
Door seal fails to be tight	Remove foreign matters on the door seal. Heat the door seal and then cool it for restoration (or blow it with an electrical drier or use a hot towel for heating).
Water pan overflows	There is too much food in the chamber or food stored contains too much water, resulting in heavy defrosting. The doors are not closed properly, resulting in frosting due to entry of air and increased water due to defrosting.
Hot housing	Heat dissipation of the built-in condenser via the housing, which is normal. When the housing becomes hot due to high ambient temperature, storage of too much food or shutdown of the compressor, provide good ventilation to facilitate heat dissipation.
Surface condensation	Condensation on the exterior surface and door seals of the refrigerator is normal when the ambient humidity is too high. Just wipe the condensate with a clean towel.
Abnormal noise	Buzz: The compressor may produce buzzes during operation, and the buzzes are loud particularly upon start or stop. This is normal. Creak: Refrigerant flowing inside the appliance may produce creak, which is normal.

PROBLEMS WITH YOUR APPLIANCE?

You can solve many common refrigerator-freezer problems easily, saving you the cost of a possible service call. Try the suggestions above to see if you can solve the problem before calling for service.

SERVICE FOR YOUR APPLIANCE

We are proud of our customer service organization and the network of professional service technicians that provide service on your Avanti refrigerator - freezer. With the purchase of your Avanti refrigerator - freezer, you can be confident that if you ever need additional information or assistance, the Avanti Products Customer Service team will be here for you. Just call us toll-free.

AVANTI PRODUCTS CUSTOMER SERVICES

Product Information 800-323-5029	Whatever your questions are about our products, help is available.
Part Orders 800-220-5570	You may order parts and accessories that will be delivered directly to your home using personal check, money order, Master Card, or Visa.
In-Home Repair Service 800-220-5570	An Avanti Products authorized service center will provide expert repair service, scheduled at a time that is convenient for you. Our trained servicers know your refrigerator-freezer inside and out.

YOUR AVANTI PRODUCTS WARRANTY

Staple your sales receipt here. Proof of original purchase date is needed to obtain service under warranty.

WHAT IS COVERED – LIMITED ONE-YEAR WARRANTY

Avanti Products warrants that the product is free from defects in materials and/or workmanship for a period of twelve (12) months from the date of purchase by the original owner. The foregoing timeline begins to run upon the date of purchase, and shall not be stalled, tolled, extended, or suspended for any reason whatsoever unless described in detail in the warranty document. For one year from the date of purchase by the original owner, Avanti products will, at its option, repair or replace any part of the product which proves to be defective in material or workmanship under normal use. Avanti Products will provide you with a reasonably similar product that is either new or factory refurbished. During this period Avanti Products will provide all parts and labor necessary to correct such defects free of charge, so long as the product has been installed and operated in accordance with the written instructions in this manual. In rental or commercial use, the warranty period is 90 days. All Avanti appliances of 4.2 cubic feet capacity or less must be brought/sent to the appliance service center for repair.

LIMITED SECOND THROUGH FIFTH YEAR WARRANTY

For the second through the fifth year from the date of original purchase, Avanti Products will provide a replacement compressor free of charge due to a failure. You are responsible for the service labor and freight charges. In rental or commercial use, the limited compressor warranty is one year and nine months. Costs involved to move the product to the service center and back to the user's home, as maybe required, are the user's responsibility.

WARRANTY EXCLUSIONS / WHAT IS NOT COVERED:

The warranty coverage described herein excludes all defects or damage that are not the direct fault of Avanti Products, including without limitation, one or more of the following:

- A failure to comply with any applicable state, local, city, or county electrical, plumbing and/or building codes, regulations, or laws, including failure to install the product in strict conformity with local fire and building codes and regulations.
- Any external, elemental and/or environmental forces and factors, including without limitation, rain, wind, sand, floods, fires, mud slides, freezing temperatures, excessive moisture or extended exposure to humidity, lightning, power surges, structural failures surrounding the appliance, and acts of God.
- Content losses of food or other content due to spoilage.
- Incidental or consequential damages
- Parts and labor costs for the following will not be considered as warranty:
 - Evaporator doors, door springs, and/or frames.
 - Inner door panels, door shelves, door rails, and/or door supports.
 - Vegetable crispers.
 - Light bulbs and/or plastic housing.
 - Plastic cabinet liners.
 - Punctured evaporator that voids the warranty on the complete sealed system.
- Shipping and handling costs associated with the replacement of the unit.
- Repairs performed by unauthorized servicers.
- Service calls that are related to external problems, such as abuse, misuse, inadequate electrical power, accidents, fire, floods, or any other acts of God.
- Failure of the product if it is used for other than it intended purpose.
- The warranty does not apply outside the Continental USA.
- Surcharges including but not limited to, any after hour, weekend, or holiday service calls, tolls, ferry trip charges, or mileage expense for service calls to remote areas.

In no event shall Avanti Products have any liability or responsibility whatsoever for damage to surrounding property, including cabinetry, floors, ceilings, and other structures and/or objects around the product. Also excluded from this warranty are scratches, nicks, minor dents, and other cosmetic damages on external surfaces and exposed parts; Products on which the serial numbers have been altered, defaced or removed; service visits for customer education, or visits where there is nothing wrong with the product; correction of installation problems (you are solely responsible for any structure and setting for the product, including all electrical, plumbing and/or other connecting facilities, for proper foundation/flooring, and for any alterations including without limitation cabinetry, walls, floors, shelving etc., as well as the resetting of breakers or fuses.

OUT OF WARRANTY PRODUCT

Avanti Products is under no obligation, at law or otherwise, to provide you with any concessions, including repairs, pro-rates, or product replacement, once this warranty has expired.

WARRANTY – REFRIGERATION - COMPRESSOR

