

Installation GUIDE



3 SERIES

VDWU324SS
FDWU324

5 SERIES

VDWU524SS
VDWU524WSSS
FDWU524WS
FDWU524

7 SERIES

VDWU724SS
FDWU724

To prevent accidents, which could cause serious injury or death, as well as machine damage read these instructions before installation and / or use.

CONTENTS

INTRODUCTION	4
1. IMPORTANT SAFETY INSTRUCTIONS	4
1.1 INSPECT THE DISHWASHER	5
2. TOOLS WHICH MAY BE NEEDED	6
3. MATERIALS WHICH MAY BE NEEDED	6
4. MATERIALS SUPPLIED	7
5. DISHWASHER SPECIFICATIONS	8
5.1 TECHNICAL FEATURES	9
6. PREPARATIONS	9
6.1 FOAM RUBBER INSTALLATION	9
6.2 ELECTRICAL PREPARATION	9
6.3 STEAM PROTECTION FOIL	10
7. LEVELING	11
7.1 ADJUSTING HEIGHT	11
8. SIDE PLUGS, TRIM STRIPS, CORNER BRACKETS	11
8.1 INSTALLING THE SIDE PLUGS	11
8.2 INSTALLING THE SIDE TRIM STRIPS	12
8.3 PREPARATION FOR INSTALLING MOUNTING BRACKETS	12
9. CONNECTING THE WATER LINE	13
9.1 PREPARING THE WATER CONNECTION	13
9.2. PLACEMENT OF DISHWASHER INTO THE OPENING	14
10. PREPARING THE CUSTOM PANEL	15
10.1 INSTALLING THE CUSTOM PANEL HANDLE	18
10.2 PREPARING THE PRODUCT DOOR	18
10.3 INSTALLING THE CUSTOM PANEL	19
10.4 SECURING THE CUSTOM PANEL	20
11. SECURING TO THE CABINETRY	21
11.1 READJUSTING FOOT LEVELS	21
11.2 ATTACHING THE CORNER BRACKETS	22
11.3 SECURING THE CABINET TO THE COUNTER	23
12. CONNECTING THE DRAIN LINE	24
12.1 CONNECTION INFORMATION	24
12.2 DRAIN HOSE CONNECTION	25
12.3 DRAIN PREPARATION	25
13. ELECTRICAL CONNECTION	27
14. GROUNDING INSTRUCTIONS	27
15. FINAL INSTALLATION	28
15.1 INSTALLING THE TOE KICK INSULATION AND TOE KICK	28
15.2 ADJUSTING A WOODEN TOE KICK	30
16. INSTALLER CHECKLIST	30
17. TROUBLESHOOTING	30
18. SERVICE INFORMATION	31

INTRODUCTION

NOTICE :

Please read this installation manual and particularly the safety instruction completely and carefully. They will save you time and effort and help to ensure optimum dishwasher performance. Save these instructions and pass them on to any future user.

Be sure to observe all listed warnings and cautions. Look particularly for the icons with exclamation marks inside. The information icon also will provide important references.



WARNING:

Indicates a potentially hazardous situation which, if not avoided, could result in death or serious injury.

CAUTION:

Indicates a potentially hazardous situation which, if not avoided, may result in injury. It may also be used to alert against unsafe practices.

NOTICE:

Indicates a potentially hazardous situation which, if not avoided, may result in damage to the dishwasher, the table-ware, the equipment or the environment.

1. IMPORTANT SAFETY INSTRUCTIONS

In addition to these instructions, the dishwasher shall be installed:

- In accordance with all local codes or, in absence of a local code,
- In the United States, with the National Electric Code,
- In Canada, with the Canadian Electric Code C22.1-latest edition/Provincial and Municipal codes and/or local codes.

WARNING

When installing the dishwasher, follow basic precautions, including the following:

- Installation and repair should be performed by a qualified installer. Work by unqualified persons could be dangerous and may void the warranty.

NOTICE :

The dishwasher should be installed by an insured licensed plumber, contractor or trained installer. Installation performed by persons other than this could result in improper installation and property damage.

- Do not operate the appliance if damaged, malfunctioning, partially disassembled or if it has missing or broken parts.
- Also follow the safety instructions of the user manual.
- To reduce the risk of electric shock, fire, or injury to persons, the installer must ensure that the dishwasher is completely enclosed at the time of installation.
- Only connect the dishwasher to the power supply when all installation and plumbing work is complete.
- If the dishwasher is installed in a location that experiences freezing temperatures (e.g. in a vacation home, cabin, etc.), you must drain all the water from the dishwasher's interior. Water system ruptures that occur as a result of freezing are not covered by warranty.
- Dishwasher must be secured to adjacent cabinetry using the brackets provided. Failure to do this may cause damage to property or bodily injury.
- Connect to a properly rated, protected and sized power supply circuit to avoid electrical overload. The dishwasher is designed for an electrical supply of 120 V (volts), 60 Hz (hertz), AC, connected to a dishwasher-dedicated, properly grounded electrical circuit with a fuse or breakers rated for 15 amperes. Electrical supply conductors shall be a minimum of # 16 AWG copper wire rated at 75 °C (167 °F) or higher. These requirements must be met to prevent injury and machine damage. Consult a qualified electrician if in doubt.
- Do not use any extension cord or portable outlet device to connect the dishwasher to a power supply.
- Ensure that any plastic wrappings, bags, small pieces etc. are disposed of safely and kept out of the reach of children. Danger of suffocation!
- Remove the door to the washing compartment when removing an old dishwasher from service or discarding it. Ensure that the appliance presents no danger to children while being stored for disposal.
- Old appliances may contain materials that can be recycled. Please contact your local recycling authority about the possibility of recycling these materials.

i NOTICE :

- The dishwasher drain hose must be installed with a drain loop at least 28" (710mm) off the cabinet floor; otherwise the dishwasher may not drain properly.
- This dishwasher is intended for residential use only, and should not be used in commercial establishments.
- Replacement - If the dishwasher is replacing another dishwasher, check the existing dishwasher connections for compatibility with the new dishwasher, and replace parts as necessary.

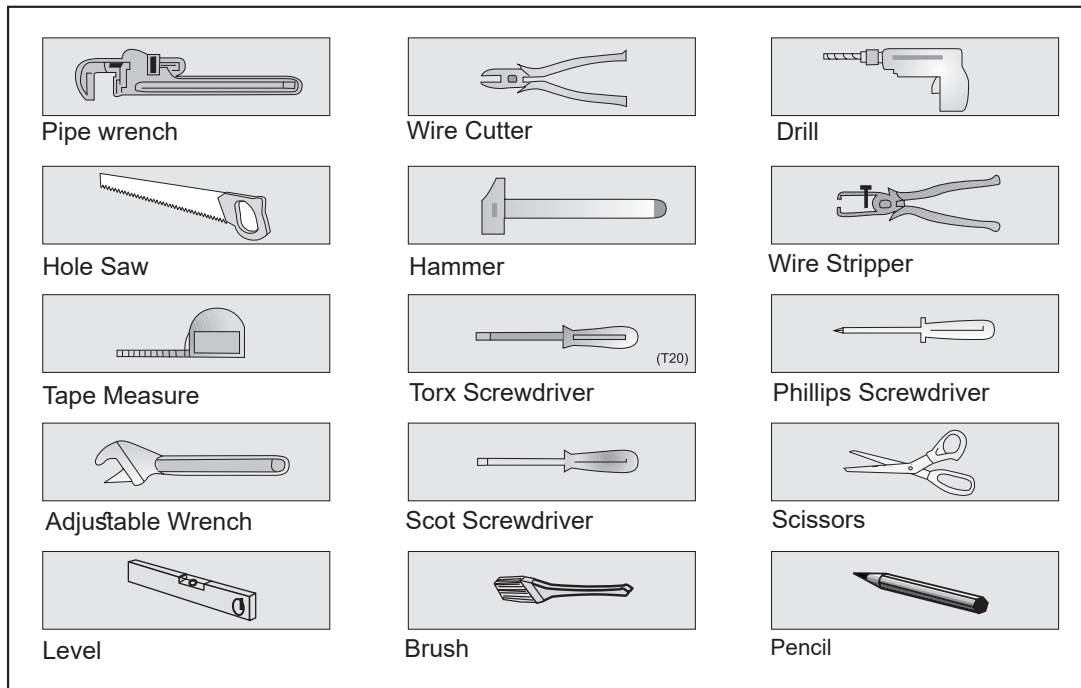
1.1 INSPECT THE DISHWASHER

After unpacking the dishwasher and prior to installation, thoroughly inspect the dishwasher for possible freight or cosmetic damage. Report any damage immediately.

i NOTICE :

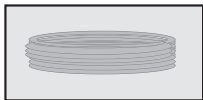
- Cosmetic defects must be reported within 10 days of installation.
- Do not discard any bags or items that come with the original package until after the entire

2. TOOLS WHICH MAY BE NEEDED



3. MATERIALS WHICH MAY BE NEEDED

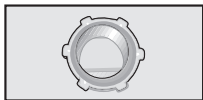
(Additional materials may be required to comply with local codes)



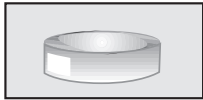
Hot Water Supply Line - Minimum 3/8" O.D. copper tubing or metal braided dishwasher supply line.



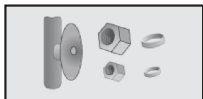
3/4" FHT x 3/8" MHT connector - Elbow with 3/4" FHT(female threaded) for dishwasher side, and sized to fit your water supply line (copper tubing/compression fitting, or braided hose) on the other side.



UL listed conduit connector or strain relief.



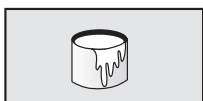
Teflon tape or other pipe thread compound to seal plumbing connections.



Shut-off valve and fittings appropriate for hot water supply line (copper tubing/compression fitting, or braided hose).



Silicone



Glue



Dishwasher Discharge Hose Adaptor

4. MATERIALS SUPPLIED

a.  — x1

b.  — x1

d.  — x4

e.  — x1


f.  — x1

g.  — x1

h.  — x1


j.  — x1

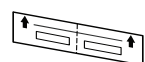
k.  — x1

l.  — x1

n.  — x2

o.  — x2

p.  — x1

s.  — x1

t.  — x4

v.  — x4

y.  — x4

yy.  — x2

z.  — x1

4.1 PARTS SUPPLIED

Parts for your dishwasher will come in several plastic bags. Check your parts bags shown to make sure you have all the parts as listed to the left.

4.2 MANUAL BAG

The dishwasher comes with a manual bag containing:

- User manual,
- Installation manual

4.3 DISHWASHER PARTS BAG 1

This dishwasher bag comes with the following parts:

*(MODEL DEPENDING)

d. Screws \varnothing 3/16" x 1/2" (\varnothing 4 mm x 13 mm)

e. Mounting Bracket Left

f. Mounting Bracket Right

g. Spring Clamp

h. Screw Clamp

j. Rubber Connector

k. Toe Kick Bracket - Left*

l. Toe Kick Bracket - Right*

s. Drilling Template*

y. Screws \varnothing 3/16" x 1 7/16" (\varnothing 4 mm x 36 mm)

v. Side spacer

z. Steam Protection Foil

4.4 DISHWASHER PARTS BAG 2

(FOR INTEGRATED MODEL)

*(MODEL DEPENDING)

In addition to the manual bag and the dishwasher parts bag (dishwasher models which can accept a custom panel) also come with a door panel installation kit which contains:

n. Custom Door Plug*

o. Custom Door Screw*

t. Hook and loop fastener*

yy. Screws \varnothing 3/16" x 1 5/8" (\varnothing 4 mm x 42 mm)*

4.5 PARTS ATTACHED TO THE REAR OF THE DISHWASHER

*(MODEL DEPENDING)

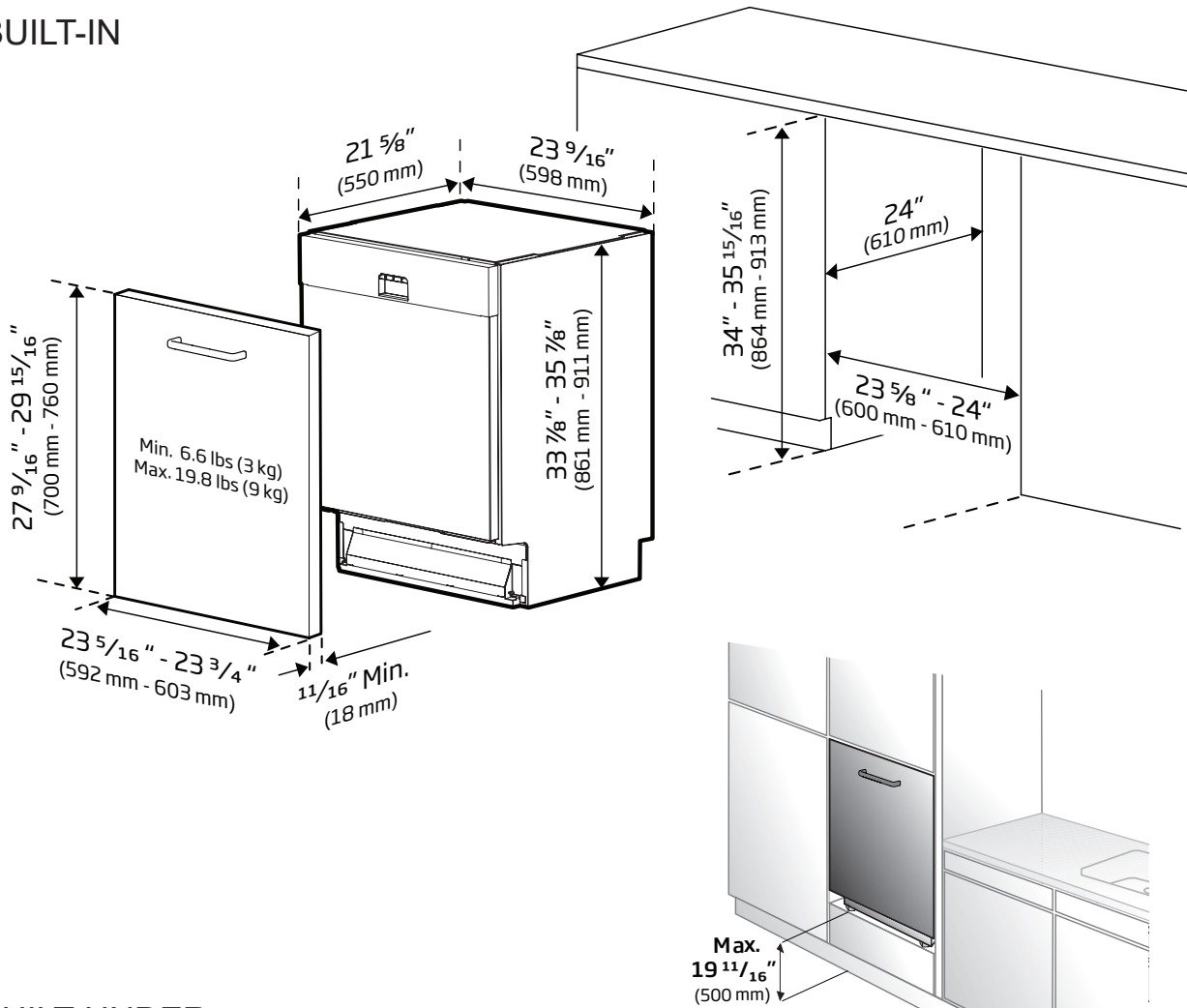
a. Side Trim Strips (Left)

b. Side Trim Strips (Right)

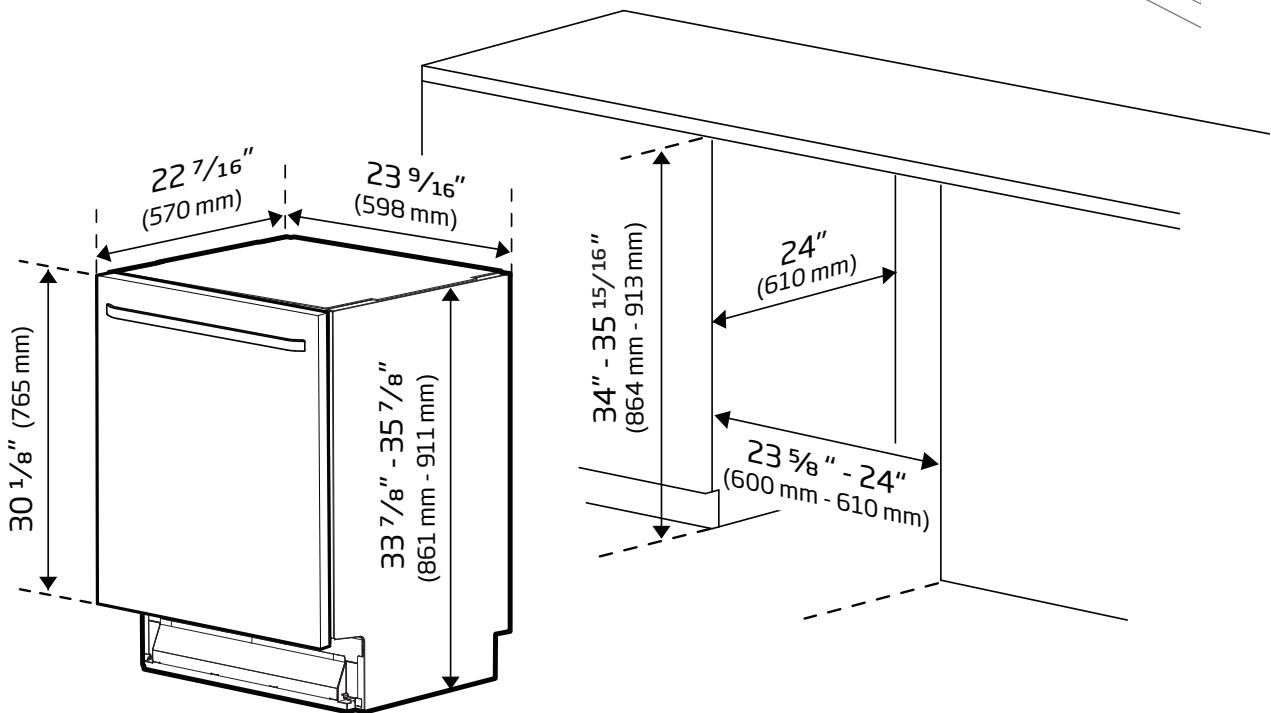
p. Toe Kick*

5. DISHWASHER SPECIFICATIONS

BUILT-IN



BUILT-UNDER



5.1 TECHNICAL FEATURES

Permissible water pressure	4.35 - 145 psi (0.3 - 10 bars)
Electrical connection	120 V (volts), 12 A (amps), 60Hz (hertz)
Required Curcuit Breaker	15 A(amps), Dedicated
Total power	1400 W (watts)
Heater power	1100 W (watts)

i NOTICE :

Because we continually strive to improve our products, we may change our specifications and design without prior notice.

This device corresponds to the following directives:

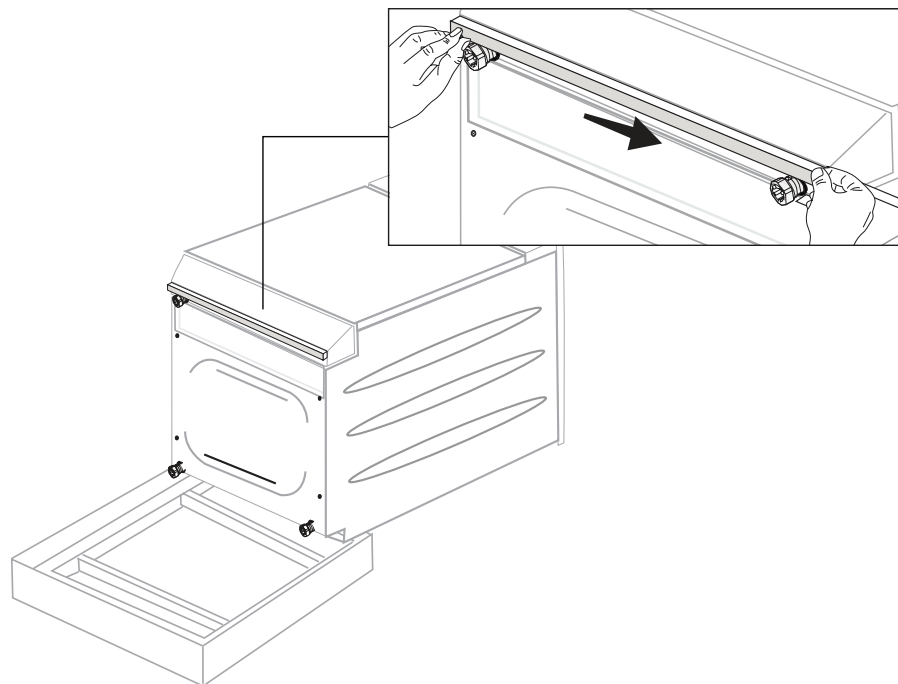
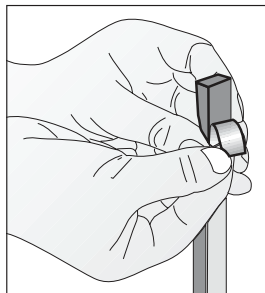
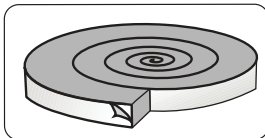
UL 749 Household Dishwasher directive.

6. PREPARATIONS

6.1 FOAM RUBBER INSTALLATION

Please open the foam insulation tape and follow the instructions in it.

This step is not imperative, but it will help you improve your soundproofing.



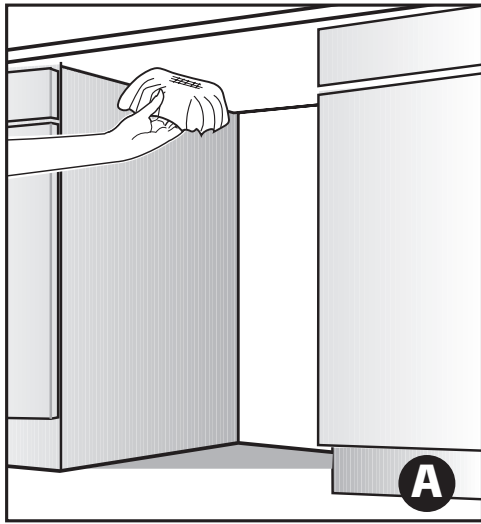
6.2 ELECTRICAL PREPARATION

⚠ WARNING

The dishwasher is designed for an electrical supply of 120 V, 60 Hz, AC, connected to a dishwasher-dedicated, properly grounded electrical circuit with a fuse or breaker rated for 15 amperes.

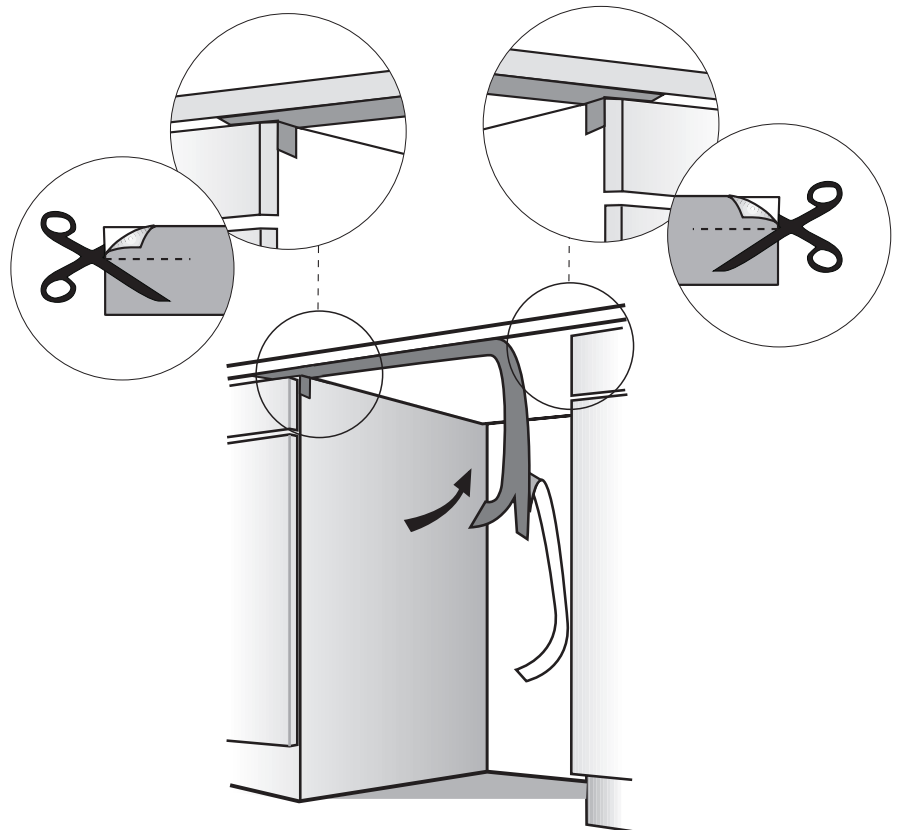
6.3 STEAM PROTECTION FOIL

Steam will form inside the dishwasher during operation. At the end of the cycle, when the dishwasher door is opened, it is required to use a steam protection foil to prevent any steam from collecting on the underside of the counter top.

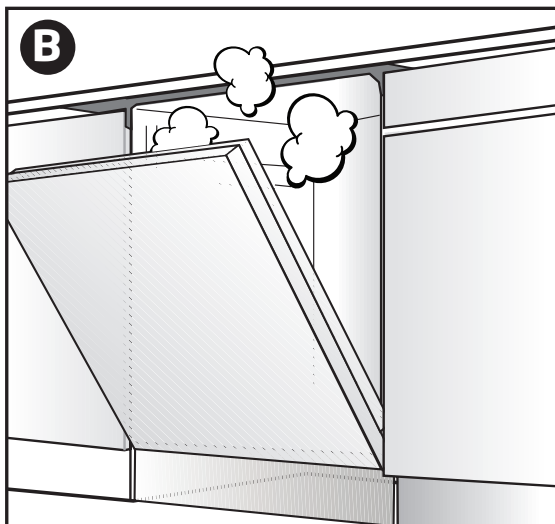
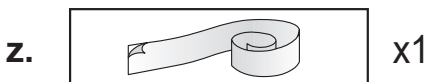


6.3.1 FITTING THE PROTECTION FOIL

Before applying the steam protection foil to the underside of the countertop, clean the area with a damp cloth (as shown in Figure A). Once the area dries, apply the steam protection foil.



The steam protection foil will be applied at the location where the hot steam escapes when you first open the door (as shown in Figure B).



⚠ CAUTION

Steam protection foil must be applied where the steam escapes when door is first opened.

Failure to install the steam protection foil during installation can lead to damage to the cabinets and countertop.

7. LEVELING

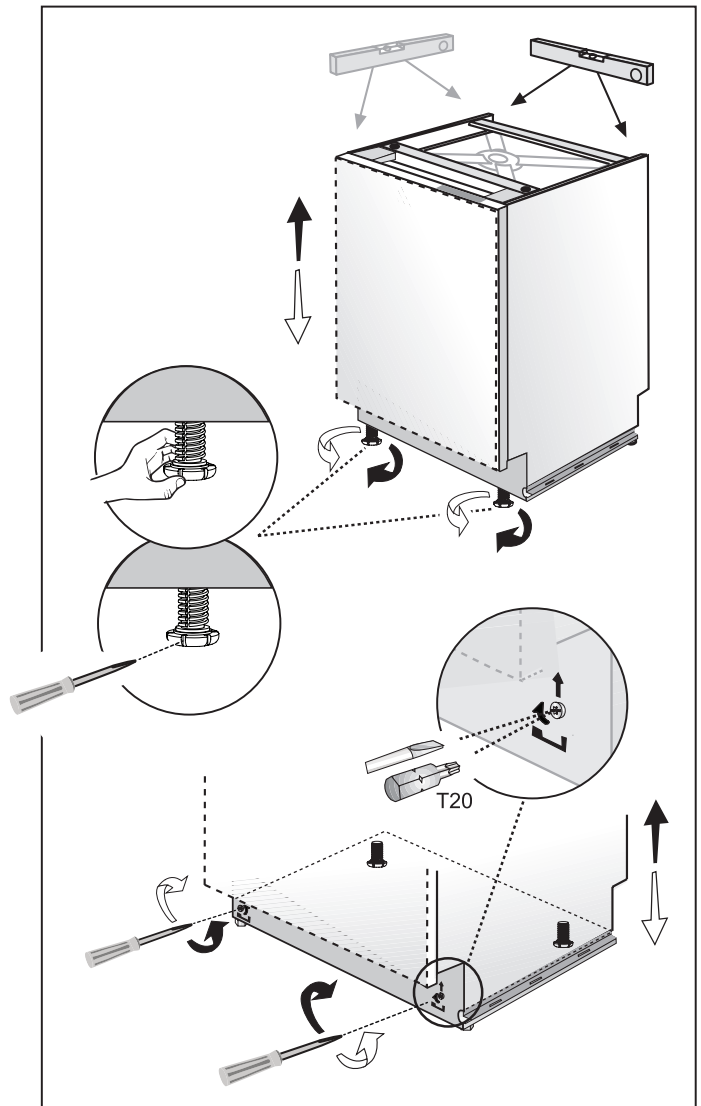
7.1 ADJUSTING HEIGHT

Adjust the front foot level by hand or slotted screwdriver to balance and raise the dishwasher to the enclosure height.

Adjust the rear foot level with a screwdriver to balance and raise the dishwasher to the enclosure height.

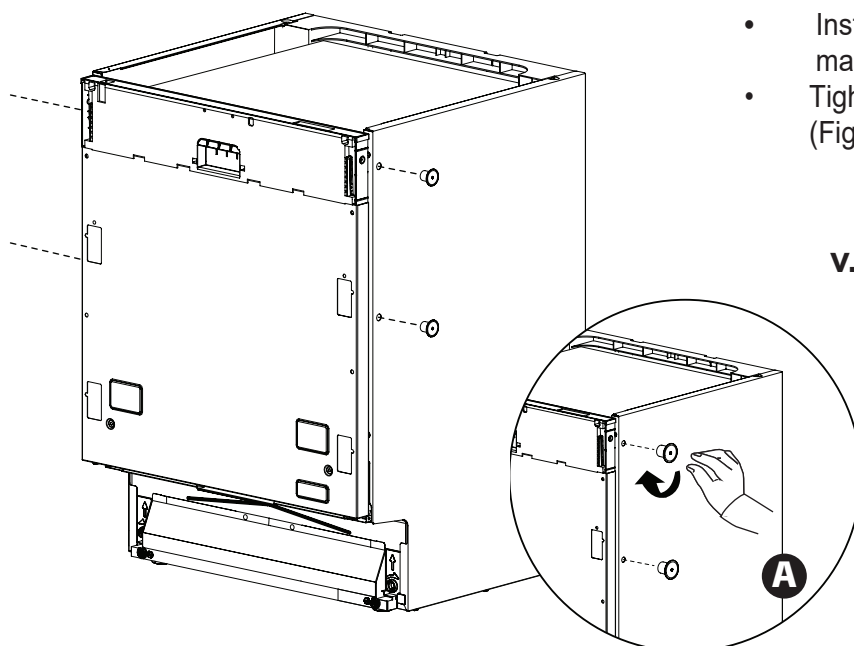
i NOTICE :

- Make sure the dishwasher is plumb and notice that the dishwasher can be placed under the counter with approximately 3/32" (2 mm) of clearance.
- Turning the screwdriver in the direction of the black arrows (as shown in the illustration right) will raise the rear feet, causing the dishwasher to go down in the back.
- Turning the screwdriver in the direction of the white arrows (as shown in the illustration right) will lower the rear feet, causing the dishwasher to go up in the back.

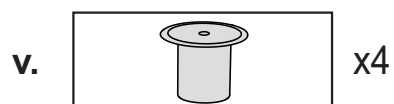


8. SIDE PLUGS, TRIM STRIPS, CORNER BRACKETS

8.1 INSTALLING THE SIDE PLUGS



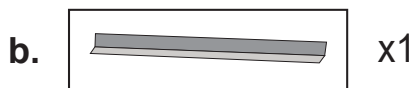
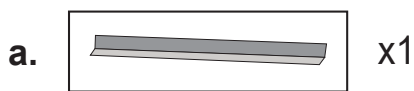
- Install the plugs on both sides of your machine.
- Tighten with hand, don't use screwdriver (Figure A)



8.2 INSTALLING THE SIDE TRIM STRIPS

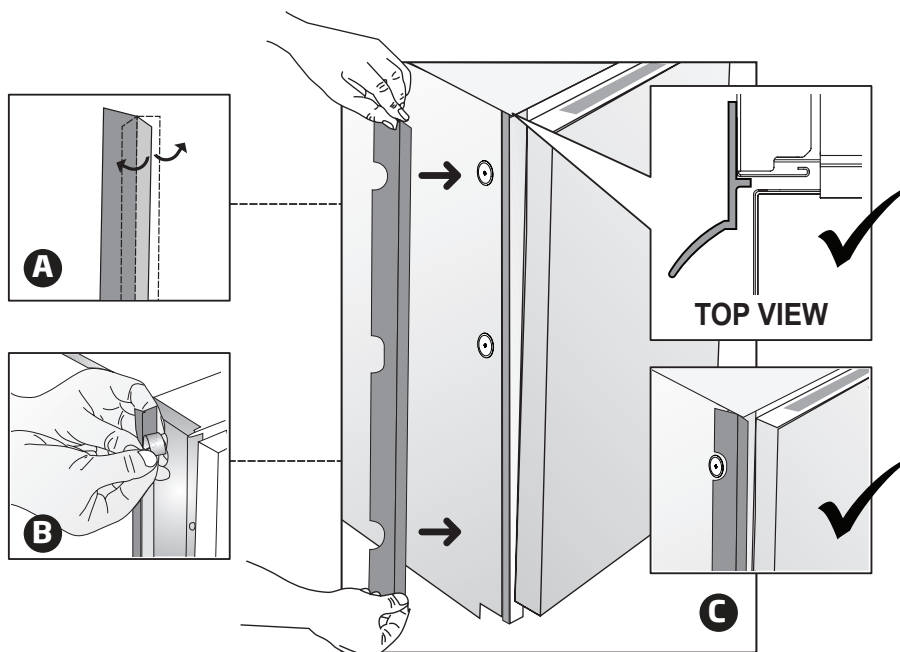
i NOTICE :

- Make sure you are using the correct side of the trim. The flexible material should be facing forward (Figure A).



Remove the adhesive tape (Figure B)

Place the trim strips on the front edge of the side walls (Figure C).



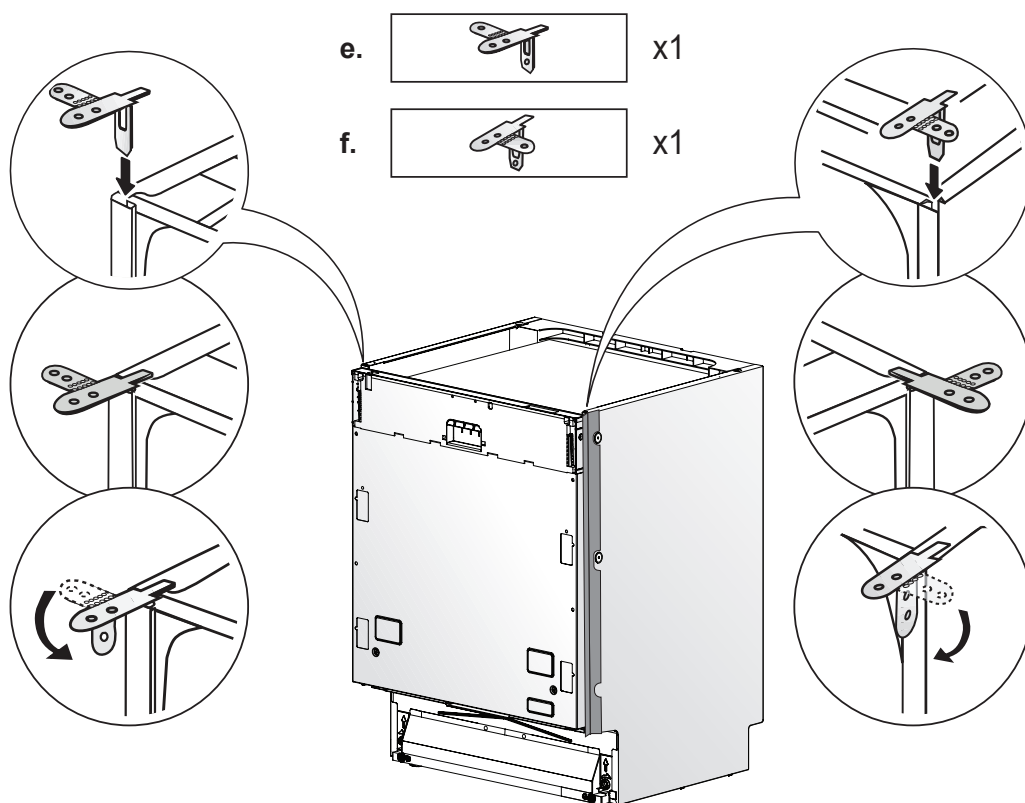
8.3 PREPARATION FOR INSTALLING MOUNTING BRACKETS

⚠ WARNING

Dishwasher must be secured to adjacent cabinetry or the countertop above using the mounting brackets provided. Failure to do this may cause damage to property or bodily injury.

Place the two mounting brackets into the top corners of the dishwasher.

Bend sides of mounting brackets as shown in the figure.



9. CONNECTING THE WATER LINE

9.1 PREPARING THE WATER CONNECTION

Install an easily accessible shut-off valve (not supplied) in the water supply line. All solder connections must be made before the water line is connected to the dishwasher's water inlet valve. Water can also be supplied to the dishwasher by using a flexible braided hose line.

Check with your plumbing supply sources for the proper hose and elbow and necessary fittings for the water supply line. This material is not supplied, and must be purchased separately.

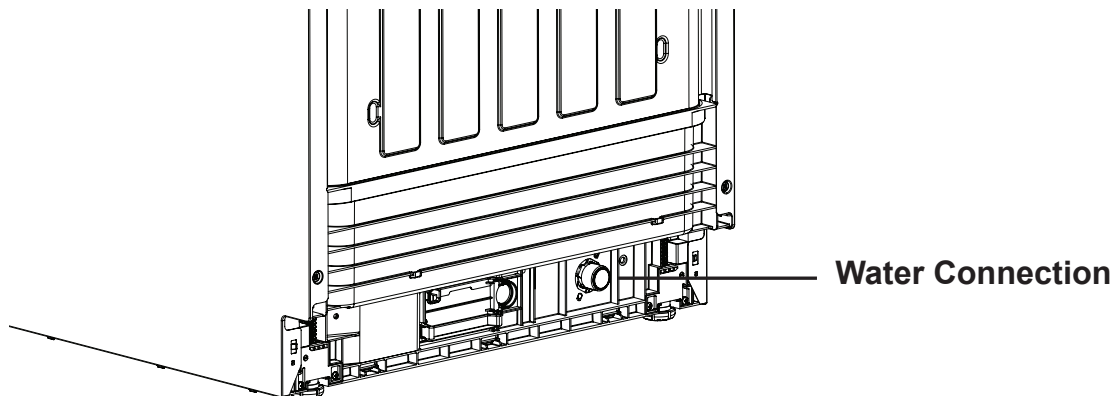


3/4" FHT x 3/8" MHT connector

⚠ WARNING

Installation should be performed by a qualified installer. Work by unqualified persons could be dangerous and may void the warranty.

If the dishwasher is installed in a location that experiences freezing temperatures (e.g. in a vacation home, cabin etc.), you must drain all the water from the dishwasher's interior. Water system ruptures that occur as a result of freezing are not covered by warranty.



9.1.1 WATER SUPPLY CONNECTION

Water supply may be connected to the dishwasher in one of two ways:

- With metal braided hose.
- With copper tubing.

⚠ CAUTION

- Hot water supply line: Use minimum 3/8" O.D. copper tubing or metal braided dishwasher supply line.
- Temperatures required for soldering and sweating will damage the dishwasher's water inlet valve so if any such operation is needed, keep the heat source min. 7/8" (200 mm) away from the dishwasher's water inlet valve.
- There should not be any sharp bends in the water line that may restrict the water flow.
- Teflon tape or pipe tread compound must be used for sealing the connection. Before connecting the copper water supply line to the dishwasher, flush it with hot water to clear any foreign material.

[i] NOTICE :

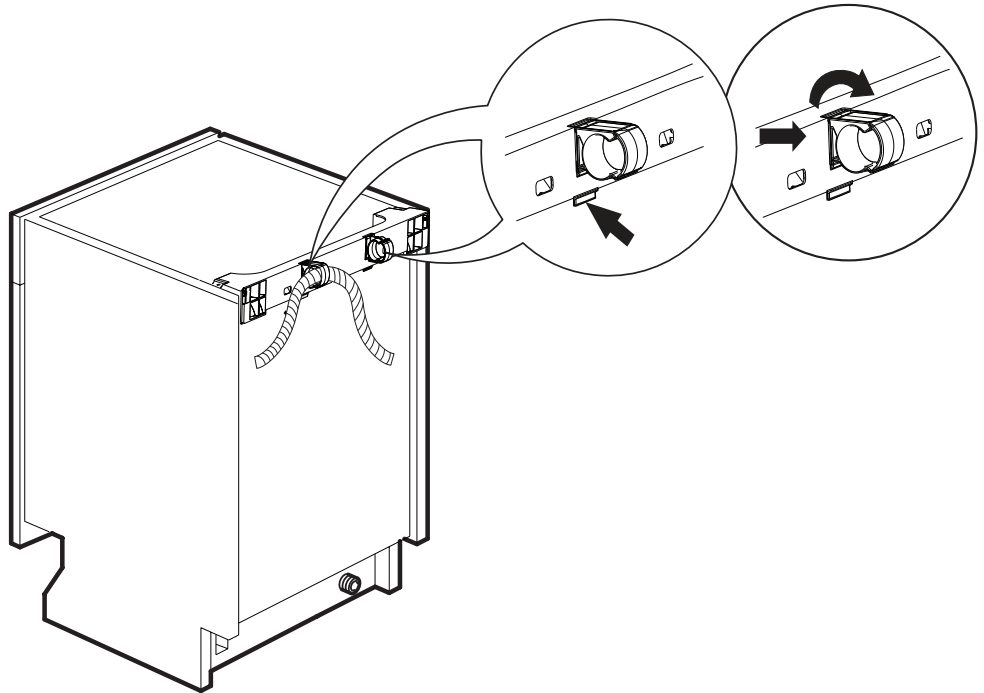
After connections are made turn on the water supply to check for leaks.

9.2. PLACEMENT OF DISHWASHER INTO THE OPENING

Before placing the machine in the cabinet, remove the hose holders from the back of the machine as shown in the figure.

[i] NOTICE :

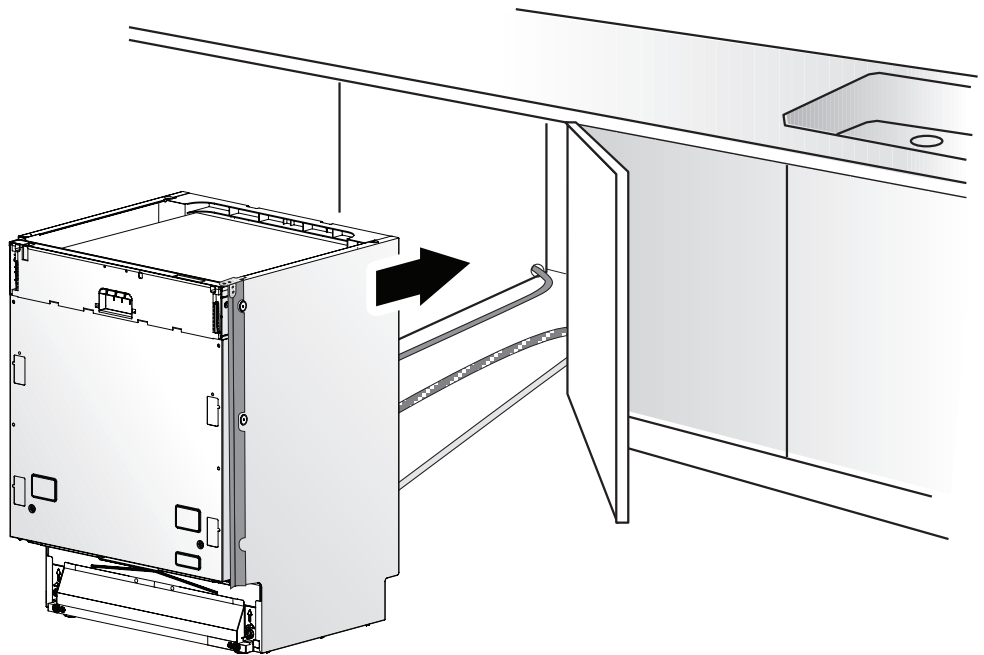
- If you do not remove these parts holding the hose, you cannot fully place the machine in the cabinet.
- Do not throw away these parts, you can use to fix the hose it to the cabinet or wall.



Now place the dishwasher into the opening and get ready to connect all hoses and electrical connections.

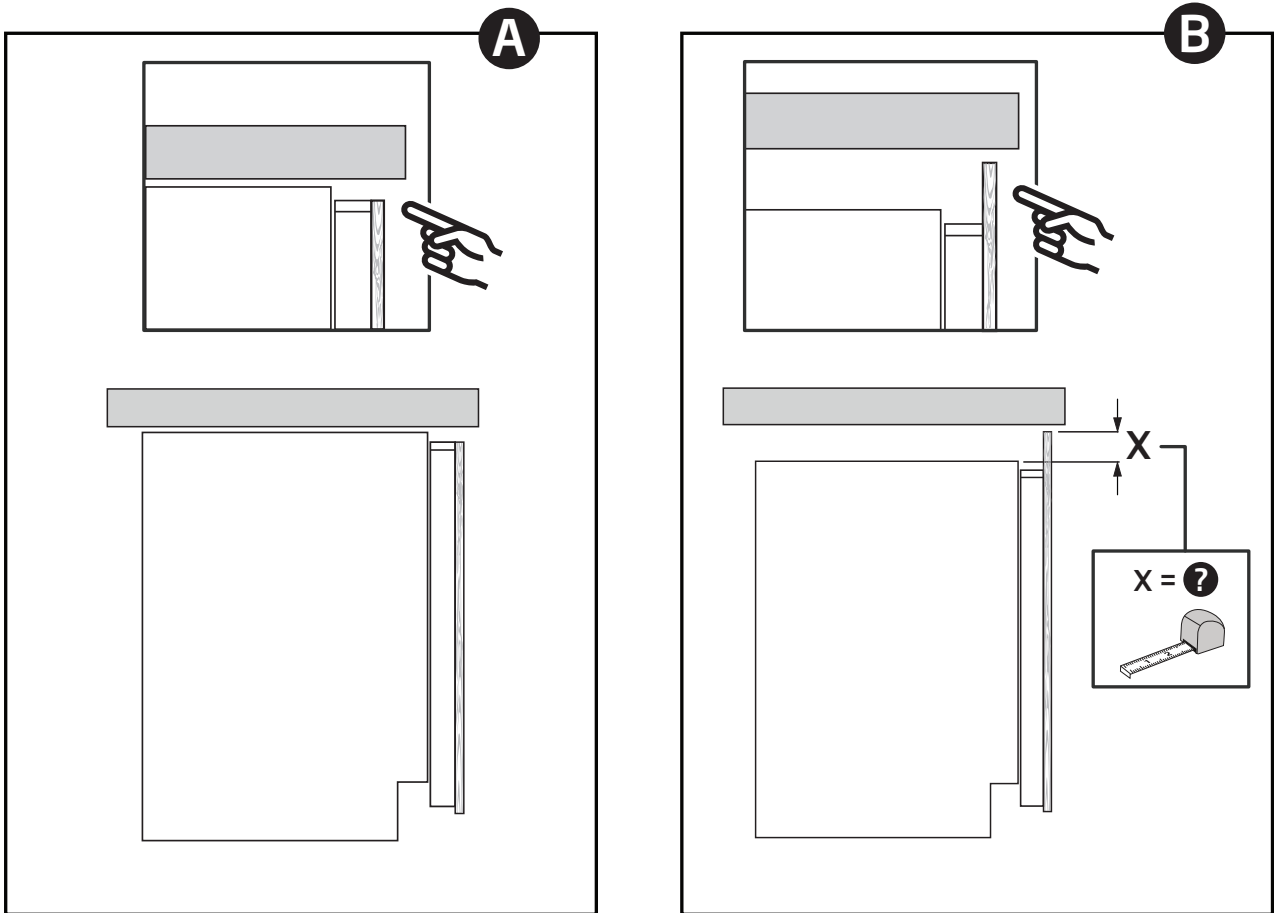
▲ CAUTION

Make sure all hoses are pulled through the side opening of the cabinet, no hoses are kinked and all slack is taken out as shown in the above figure.



10. PREPARING THE CUSTOM PANEL

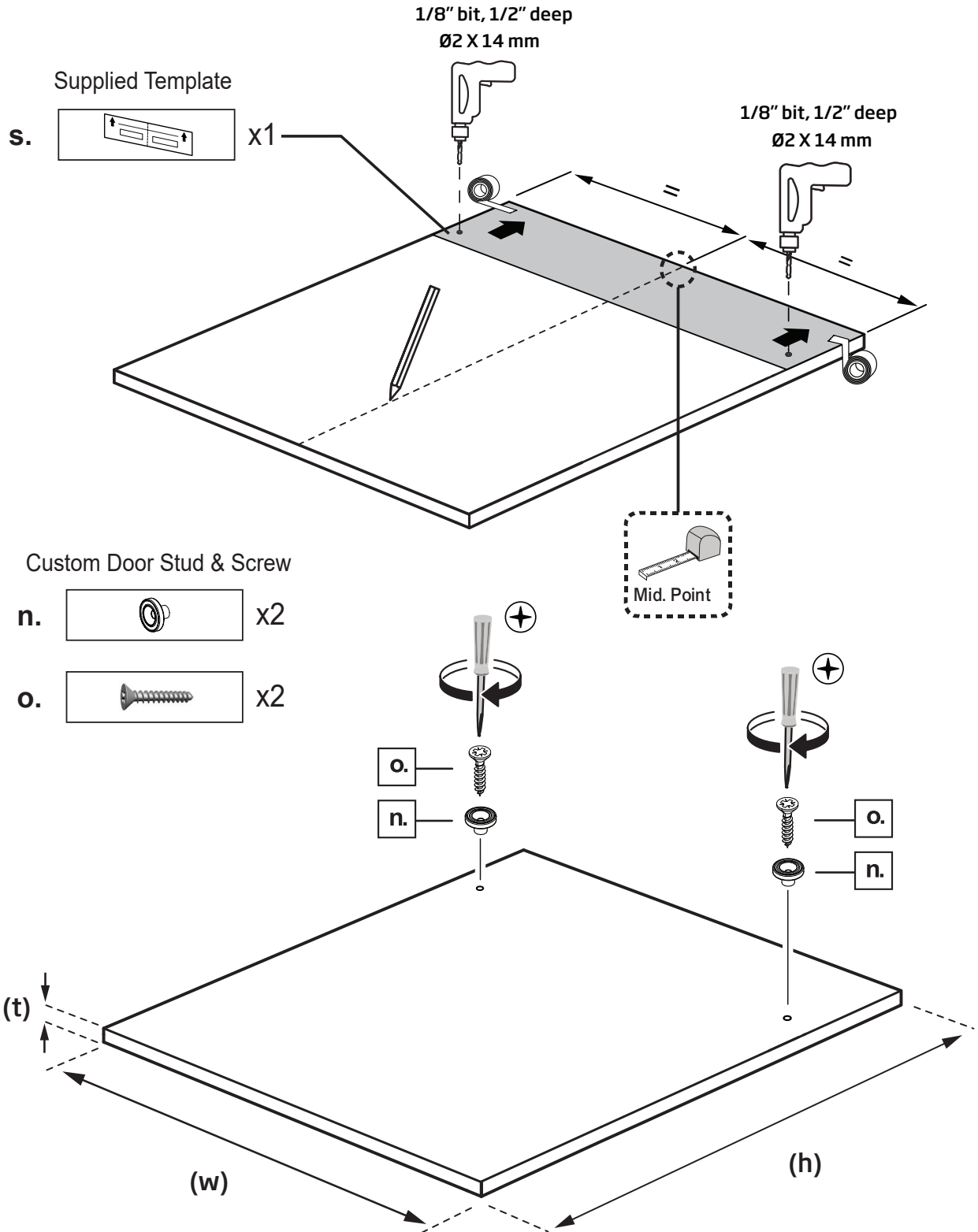
(For Integrated Models)



If the custom panel flush with the top of the display as shown in Figure A, place the template as in Method A.

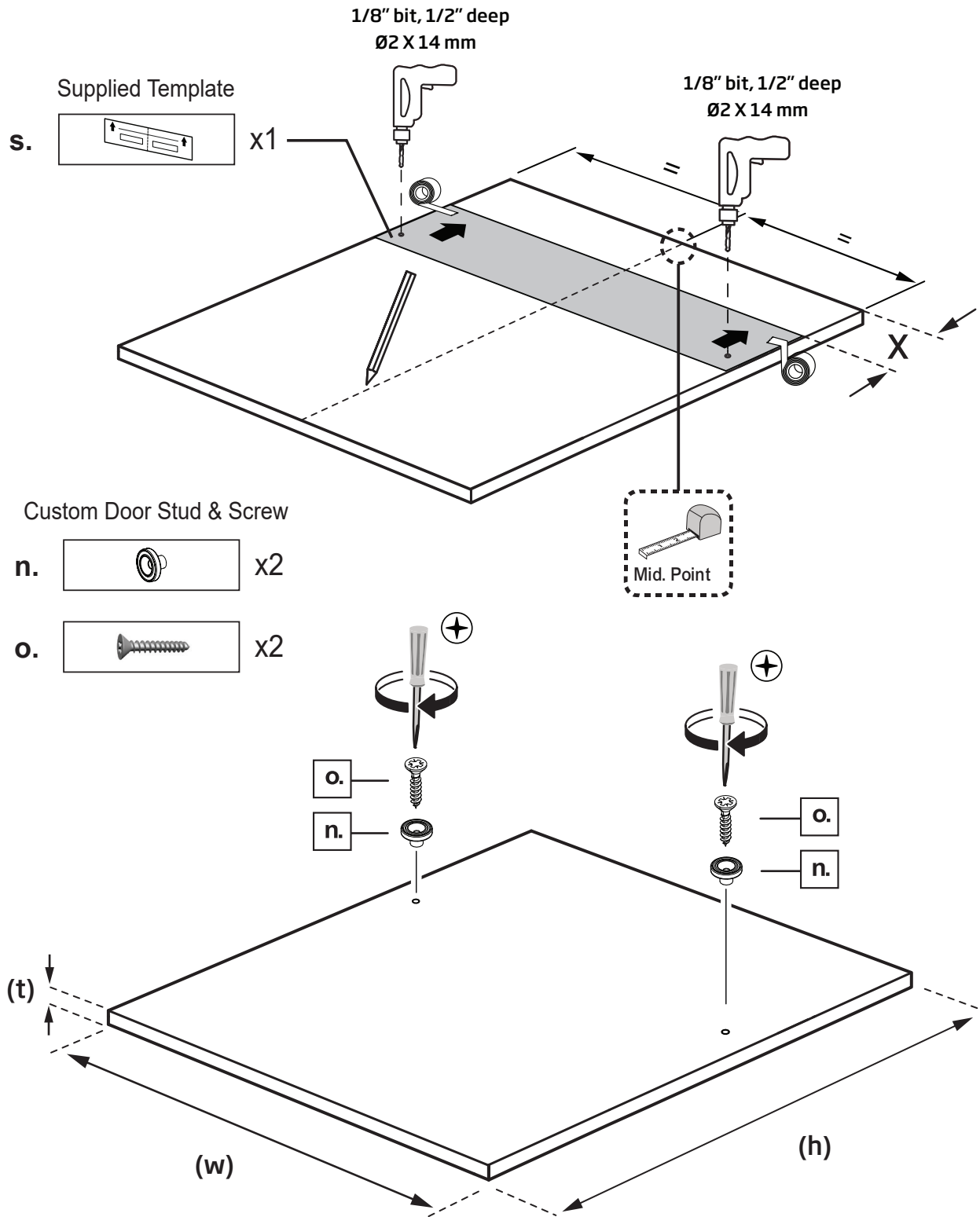
If the custom panel and extends above it as shown in Figure B, measure down from the top edge of the panel the distance you wish to extend above the display and place the template there as in Method B.

METHOD A



Height (h): 27 ⁹/₁₆ " to 29 ¹⁵/₁₆ " (700 mm - 760 mm)
 Width (w): 23 ⁵/₁₆ " to 23 ³/₄ " (592 mm - 603 mm)
 Thickness (t): Min. 1 ¹/₁₆ " (18 mm)
 Weight: 6.6 lbs to 19.8 lbs (3 kg - 9 kg)

METHOD B



Height (h): 27 ⁹/₁₆ " to 29 ¹⁵/₁₆ " (700 mm - 760 mm)

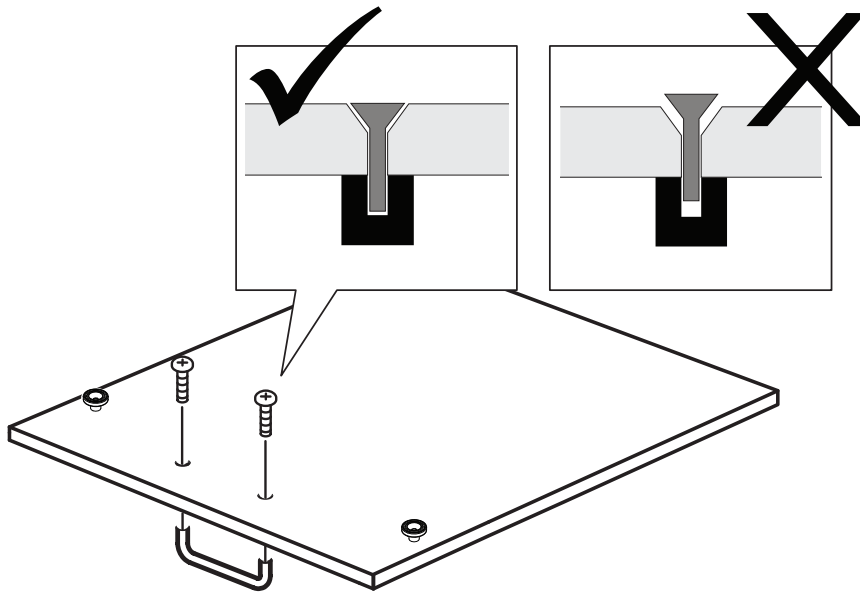
Width (w): 23 ⁵/₁₆ " to 23 ³/₄ " (592 mm - 603 mm)

Thickness (t): Min. ¹¹/₁₆ " (18 mm)

Weight: 6.6 lbs to 19.8 lbs (3 kg - 9 kg)

10.1 INSTALLING THE CUSTOM PANEL HANDLE

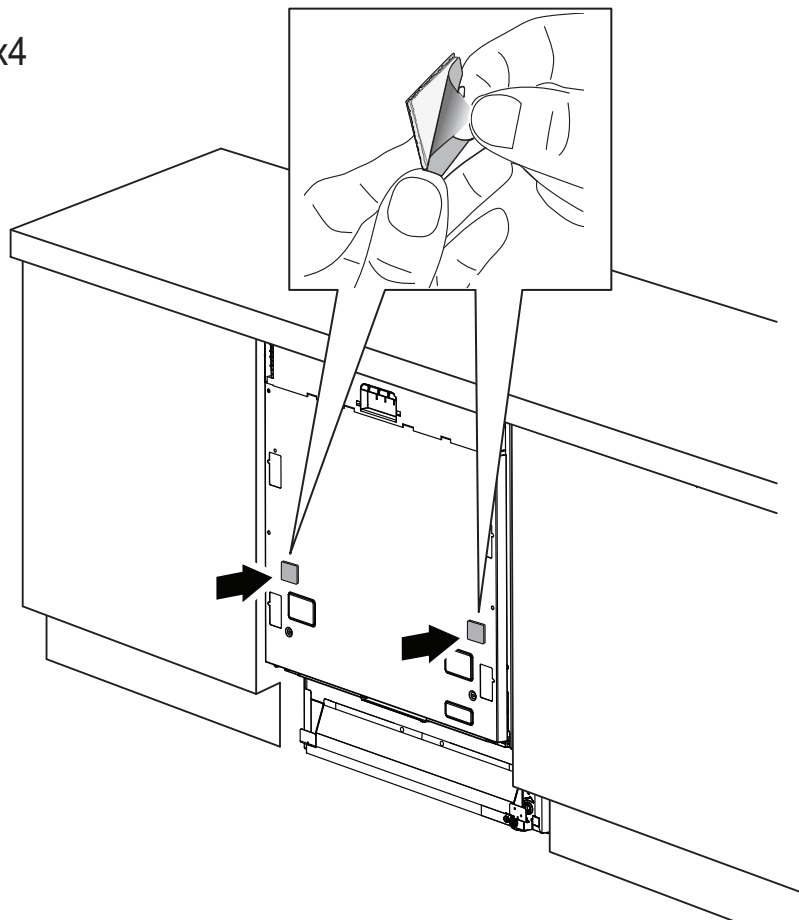
Install the custom panel handle as shown if there is a handle. Be sure to screw in the screw fully.



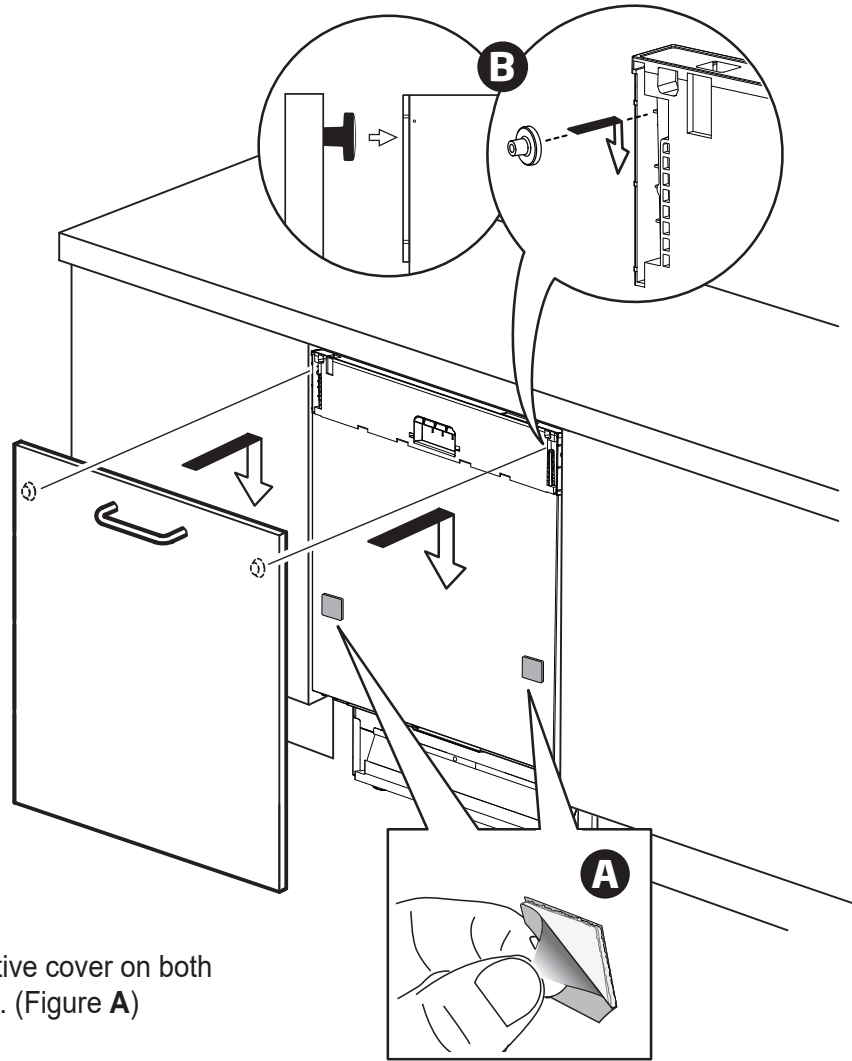
10.2 PREPARING THE PRODUCT DOOR

Peel the protective cover off one side of the adhesive strip and apply it to the location of the dishwasher door as shown in the figure.

t.  x4



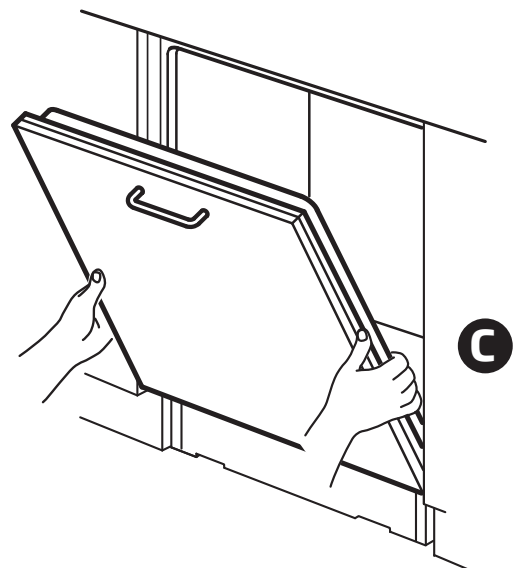
10.3 INSTALLING THE CUSTOM PANEL



Remove the outer protective cover on both adhesive strips as shown. (Figure A)

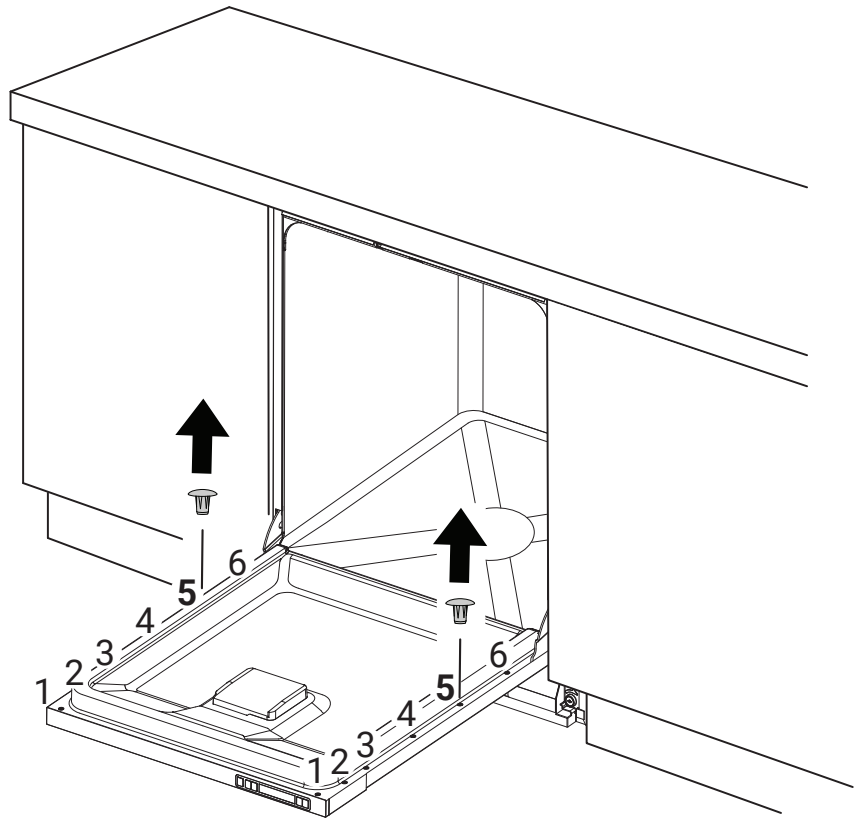
Take the panel and slide the mounting studs into the channels on each side of the door as shown. Slide the panel down to place it. (Figure B)

Hold it as shown and squeeze the bottom of the panel to the door engaging the adhesive strips secure the bottom of the panel. (Figure C)



10.4 SECURING THE CUSTOM PANEL

Remove the plastic plugs located in the fifth screw position from the top on each side.

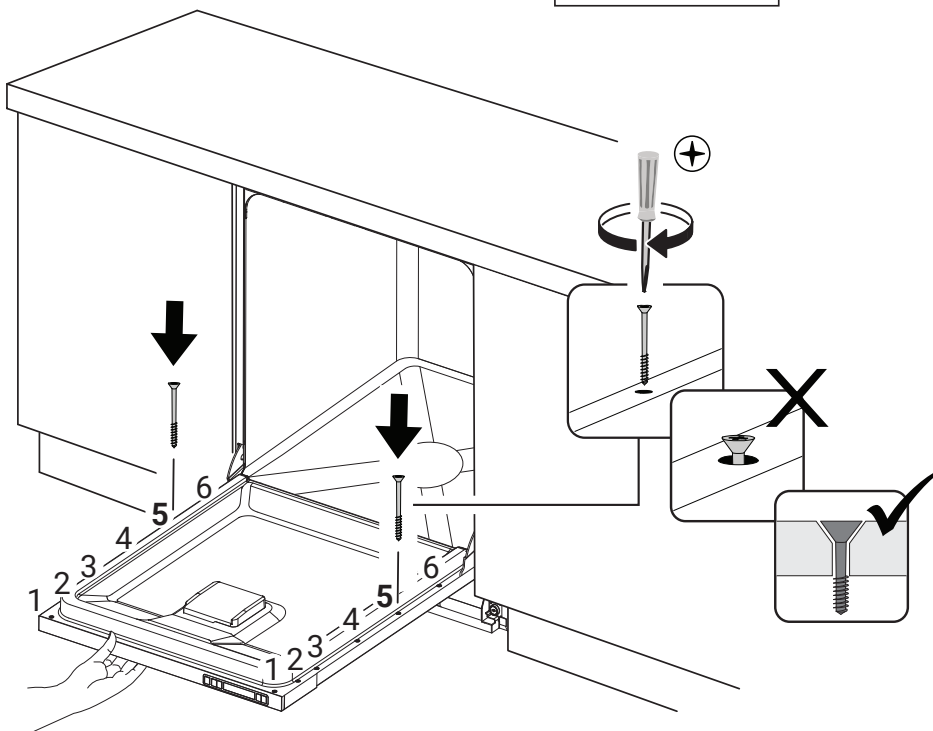


Secure the custom panel to the product through hole 5 with the one in 5/8 inch (\varnothing 4mm x 42mm) supplied screws on each side.

yy.



x2

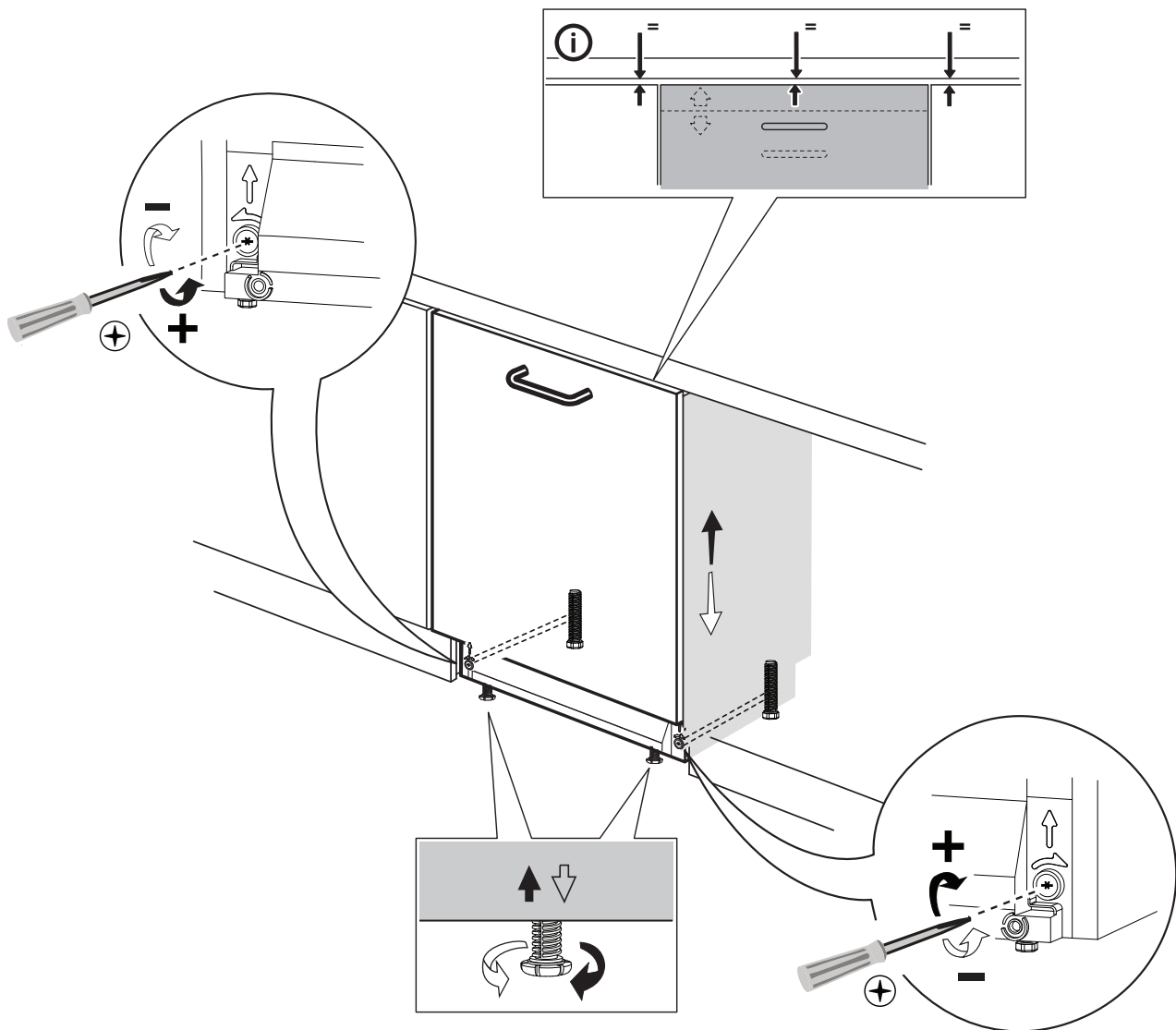


11. SECURING TO THE CABINETRY

11.1 READJUSTING FOOT LEVELS

Now that the dishwasher is in the cabinet you must readjust the feet to bring the dishwasher up to the required height and attach it underneath the countertop.

1. Readjust the front foot levels with slotted screwdriver or hand to balance the dishwasher and raise it up under the countertop, make sure the unit is level.
2. Readjust the rear foot levels with a screwdriver to balance the dishwasher and raise it to the required height using the brackets supplied.
3. Attach the dishwasher underneath the counter with the four screws (Ø 1/8" x 9/16" - Ø 3.5mm x 14mm) provided as shown in the next step



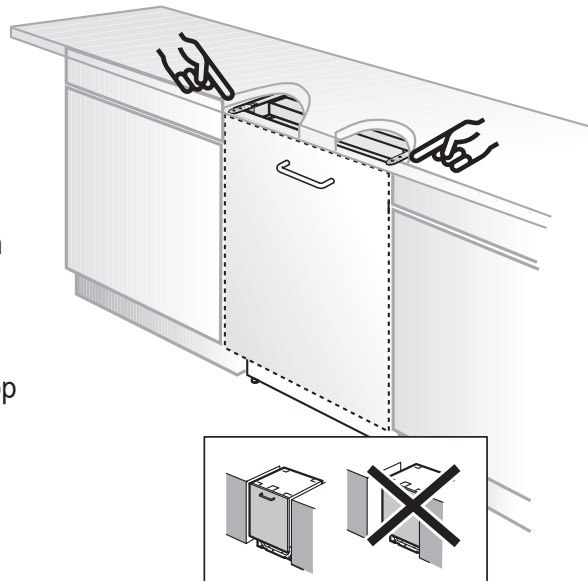
11.2 ATTACHING THE CORNER BRACKETS

Make sure the machine is level with the counter. The machine should not be ahead or behind the counter.

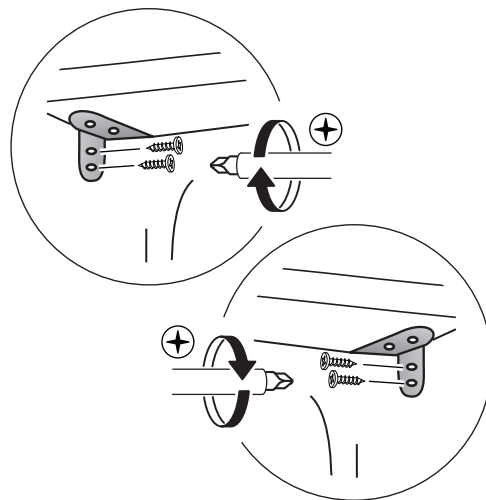
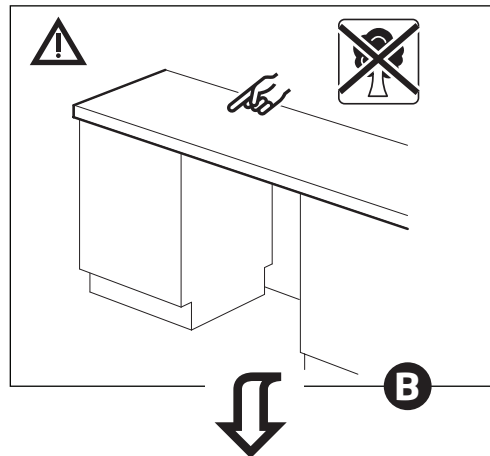
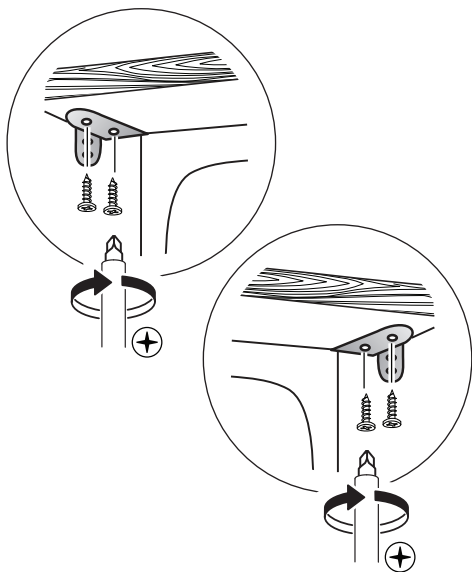
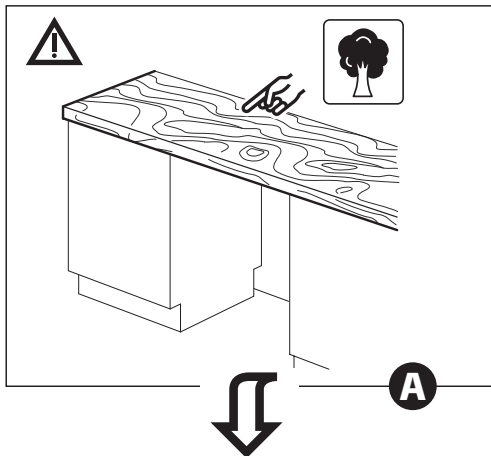
If your counter is wooden, fix the mounting brackets on the right and left sides under the bench with the screws provided as shown in (A).

If your bench is not wooden, fix the mounting brackets on the right and left sides under the bench with the screws provided as shown in (B).

Make sure you do not go through the top of the countertop or damage granite.




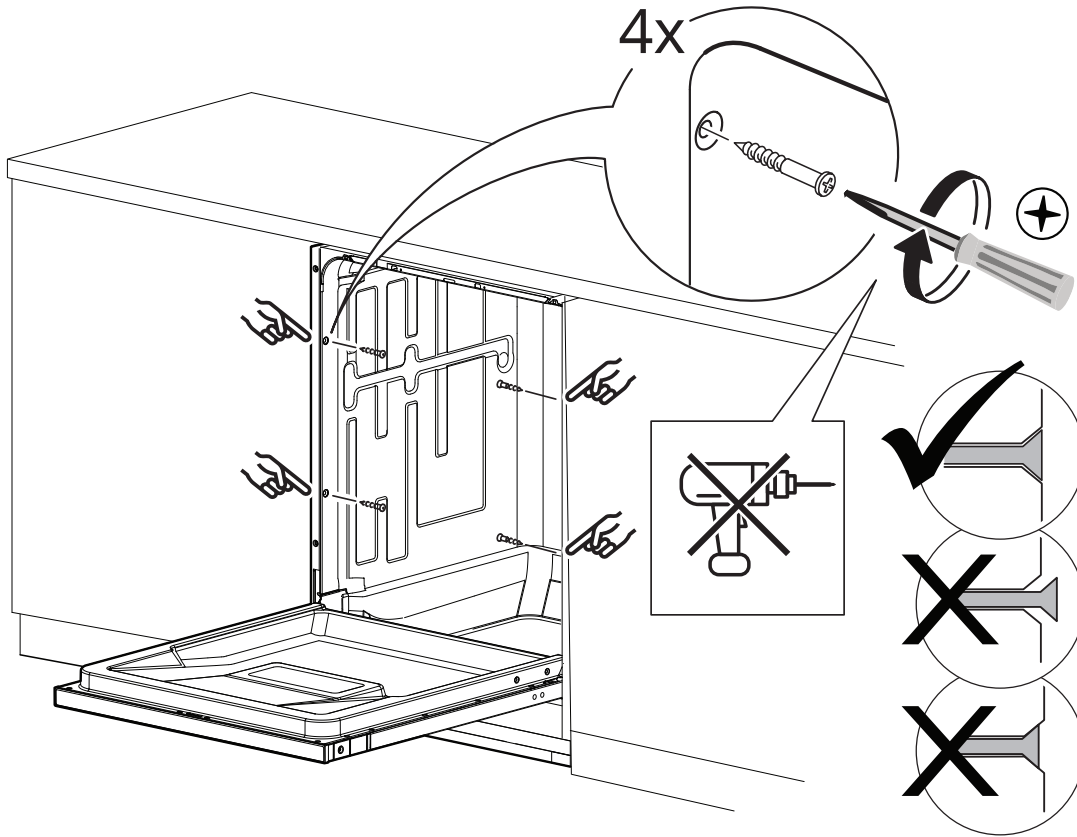
d.  x4



11.3 SECURING THE CABINET TO THE COUNTER

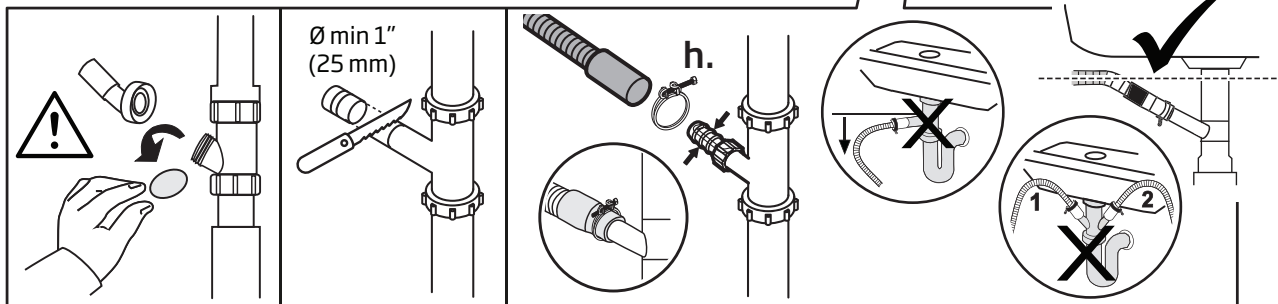
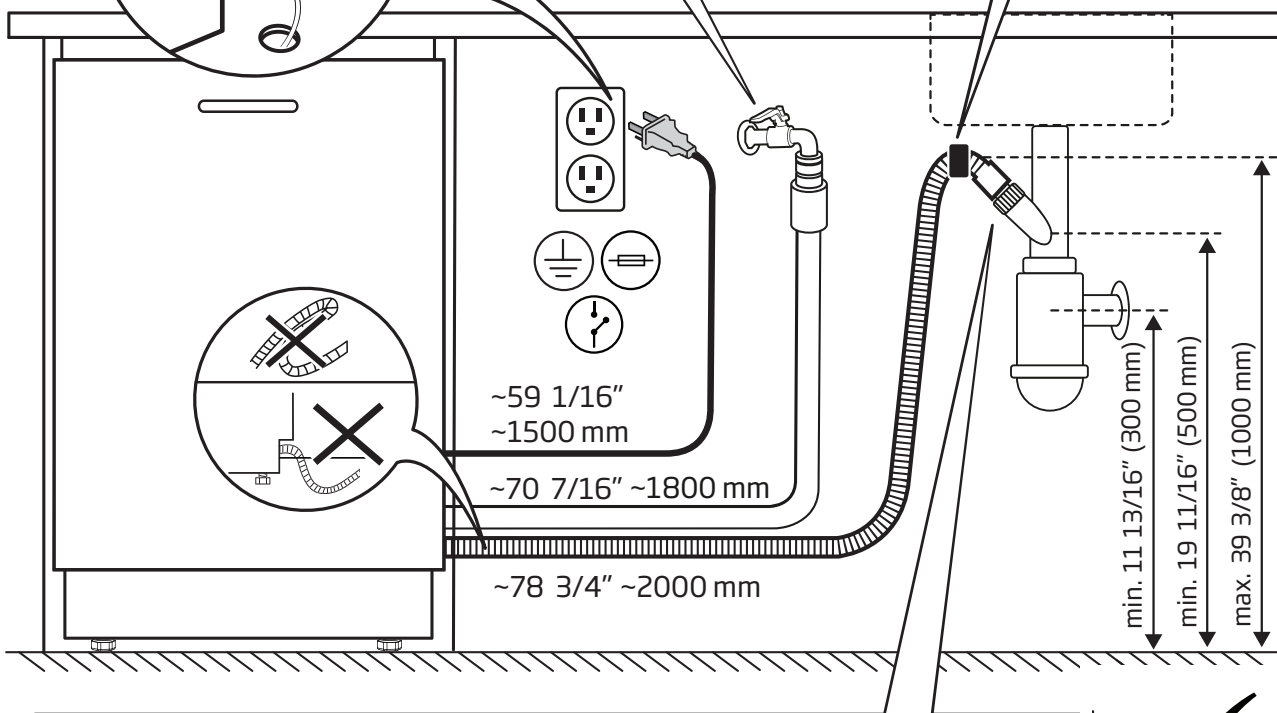
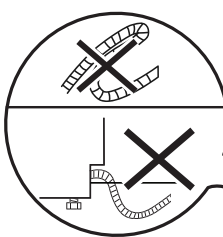
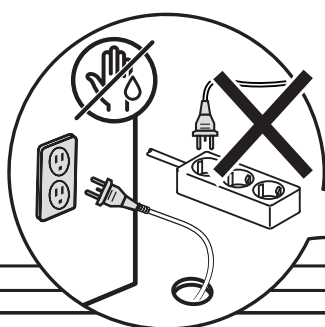
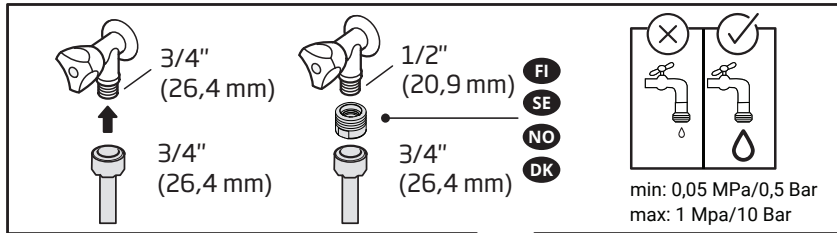
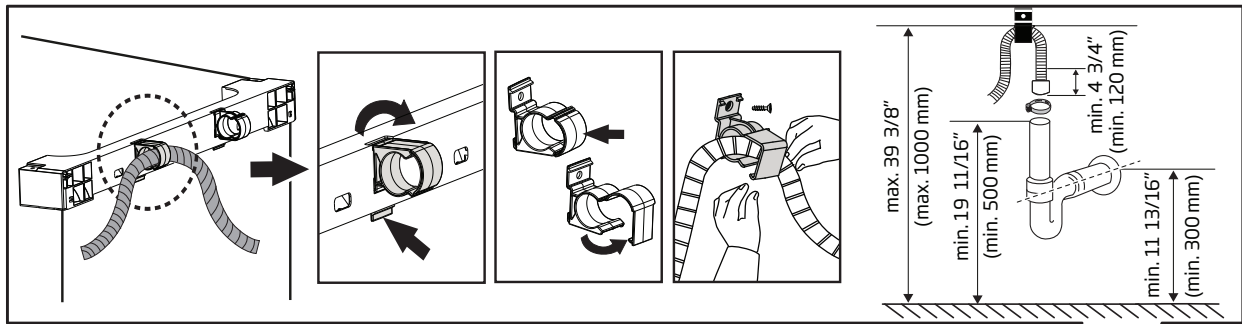
Fix the machine from the inside of the cabinet at the four points indicated with the screws provided.

y.  x4



12. CONNECTING THE DRAIN LINE

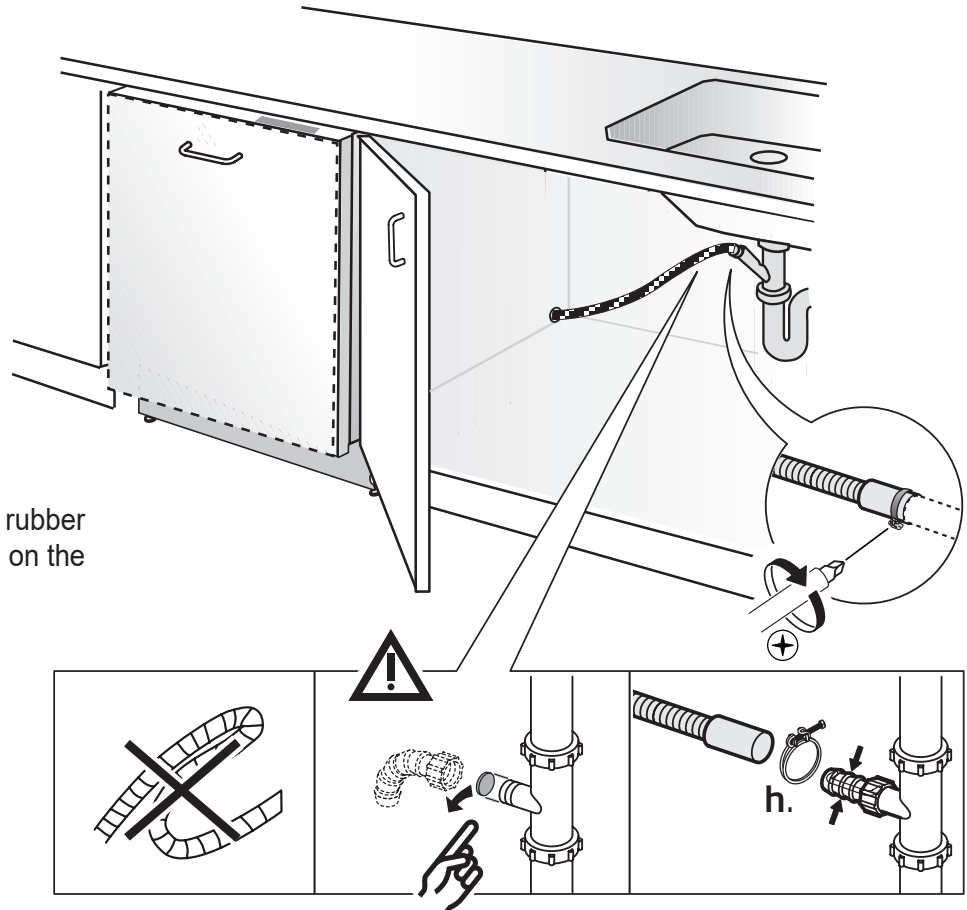
12.1 CONNECTION INFORMATION



12.2 DRAIN HOSE CONNECTION

Connect the drain hose to the drain plumbing.

1. Use the supplied rubber connection hose and drain hose clamps to connect the dishwasher drain hose to the plumbing drain connection.
2. Use the spring clamp to secure the rubber connection hose to the dishwasher drain hose. Use the screw clamp to secure the rubber connection hose to the plumbing drain connection.



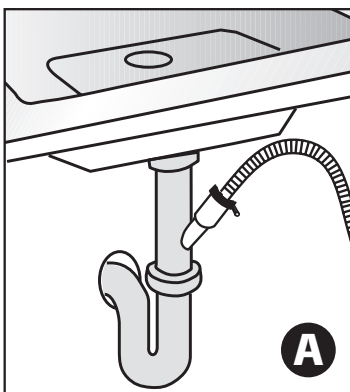
Note that the marks on the rubber connection hose should be on the drain hose side.

12.3 DRAIN PREPARATION

The dishwasher drain hose may be connected to the drain plumbing in one of three ways (Figure **A**, **B**, **C**).

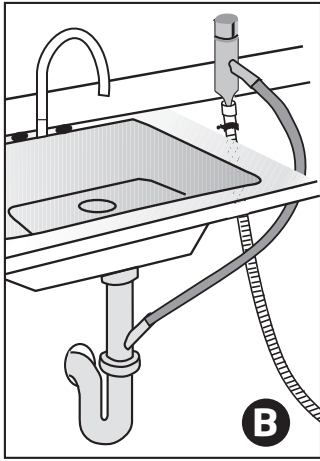
[I] NOTICE :

- One of the drain connections shown in the illustrations must be used or the dishwasher will not operate properly.
- A hose that attaches to a sink spray can burst if it is installed on the same water line as the dishwasher. If your sink has one, it is recommended that the hose be disconnected and the hole plugged.
- The total length of the drain hose is “approx. 7 feet” (1950mm). If a hose extension is required, a drainage hose of equal quality must be used.
- The maximum length must not exceed “approx. 13 feet” (4000mm). Otherwise, the cleaning process is negatively influenced.



12.3.1 UNDER THE SINK DRAIN

Install a tail pipe. (Figure **A**)



[i] NOTICE :

You must add a loop at least 28" (710mm) above the floor of the cabinet and above the drain connection in the drain hose to prevent waste water from not draining properly, and causing either poor washing results or a bad odor.

12.3.2 INSTALLING AN AIR GAP

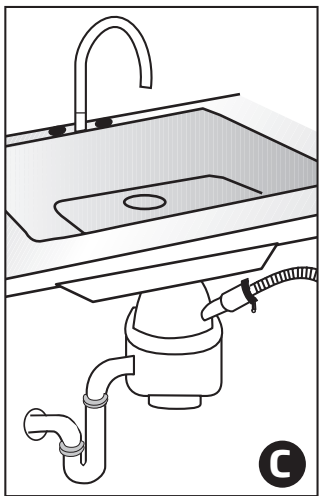
[i] NOTICE :

Check with local ordinance for type of air gap required. If the local ordinance requires an air gap (Figure **B**).

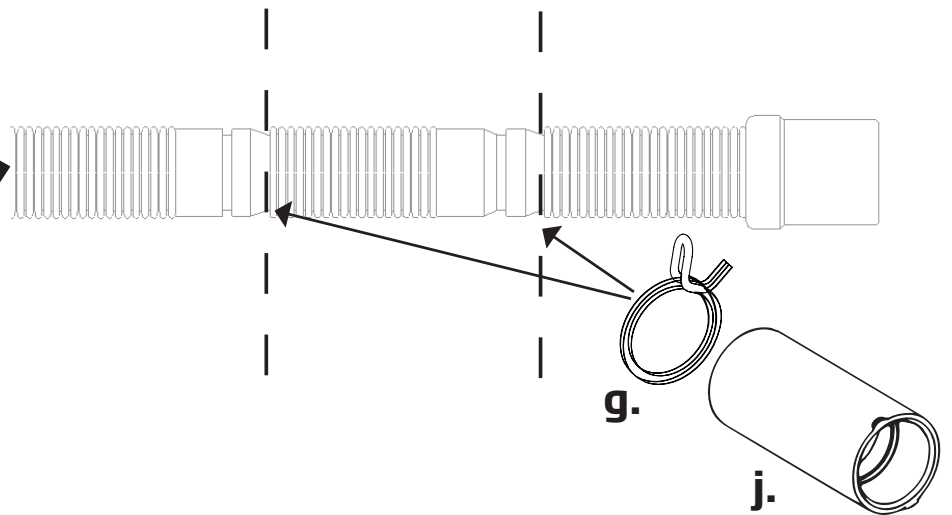
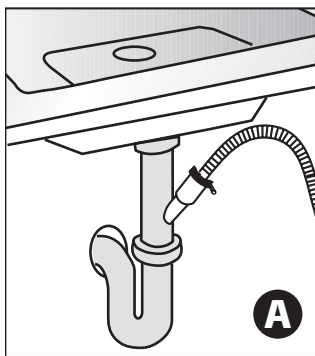
12.3.3 DISPOSAL

Be sure to remove the plug inside the connection point on the disposer before connecting the drain hose.

Every disposal has a hook up for a dishwasher; consult your disposer manual for correct connection. (Figure **C**)



12.3.1 UNDER THE SINK DRAIN (ALTERNATIVE)



Due to the local building code requirements, some dishwasher installations require hooking up. Since the connection diameter is different than standard discharge hose connections, please use the connector piece provided with the machine with instructions illustrated.

13. ELECTRICAL CONNECTION

WARNING

- Make sure the voltage and frequency listed on the data plate correspond with the household electrical supply. This data must correspond to prevent injury and machine damage. Consult a qualified electrician if in doubt.
- Only connect the dishwasher to the mains when all installation and plumbing work is complete.
- Do not use any extension cord or portable outlet device to connect the dishwasher to a power supply.
- The power-supply receptacle for the appliance shall be installed in a cabinet or on a wall adjacent to the undercounter space in which the appliance is to be installed.
- The access hole of the supply cord to the installation compartment must be smooth and rounded and it must be large enough for the attachment plug to pass through. The largest dimension of the opening shall not be more than 1.5" (38 mm). If the partition is metal, it needs to be covered with an edge protector.
- Care must be taken when the appliance is installed or removed, to reduce the likelihood of damage to the power-supply cord.

14. GROUNDING INSTRUCTIONS

This appliance must be grounded. In the event of a malfunction or breakdown, grounding will reduce the risk of electric shock by providing a path of least resistance for electric current. This appliance is equipped with a cord having an equipment-grounding conductor and a grounding plug. The plug must be plugged into an appropriate outlet that is installed and grounded in accordance with all local codes and ordinances. This appliance must be connected to a grounded metal, permanent wiring system, or an equipment-grounding conductor must be run with the circuit conductors and connected to the equipment-grounding terminal or lead on the appliance.

WARNING

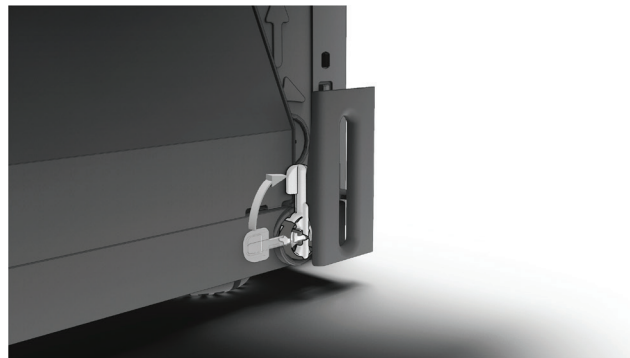
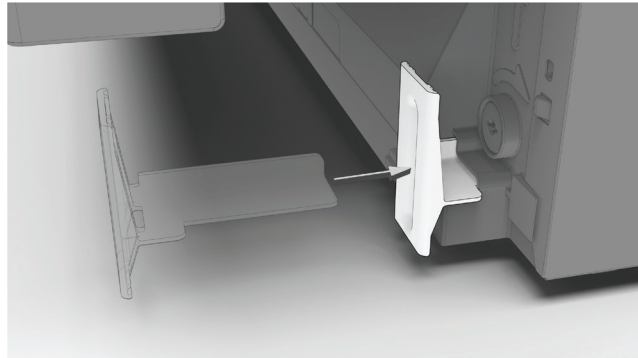
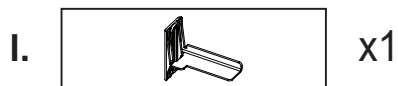
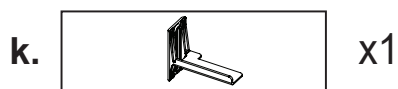
Improper connection of the equipment-grounding conductor can result in a risk of electric shock. Check with a qualified electrician or service representative if you are in doubt whether the appliance is properly grounded. Do not modify the plug provided with the appliance, if it will not fit the outlet, have a proper outlet installed by a qualified electrician.

15. FINAL INSTALLATION

15.1 INSTALLING THE TOE KICK INSULATION AND TOE KICK

Now that you have successfully installed the dishwasher, you need to attach the toe kick to the dishwasher. The two piece toe kick can be adjusted to the height and depth needed for your kitchen. Be sure to use the slotted toe kick in the front and the other behind it. They slide into each other.

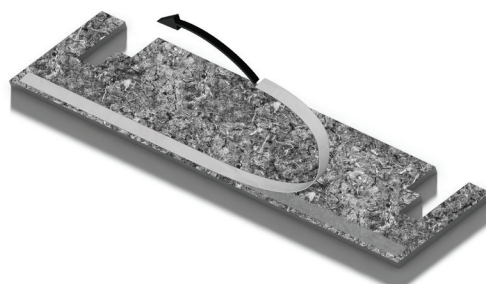
1. Insert the toe kick brackets al lthe way in on both sides and lock them in place by sliding the black lever up.



2. Remove the perforated cutouts from both pieces of insulation



3. Remove backing from adhesive strip on the gray felt piece.



- 4.** Apply gray cotton insulation to the metal panel below the door, ensuring the toe kick brackets come through the cutouts, and the felt touches the floor.



- 5.** Remove the backing from the adhesive strip on the insulation that is already attached to the bottom of the dishwasher door.



- 6.** Attach the top of the black mastic piece to the adhesive strip with the cutout sections on the bottom. Ensure it is smooth and secure along the entire length of the strip.



- 7.** Place the toe kick over the brackets and lock it in place by twisting the knobs to the lock position.

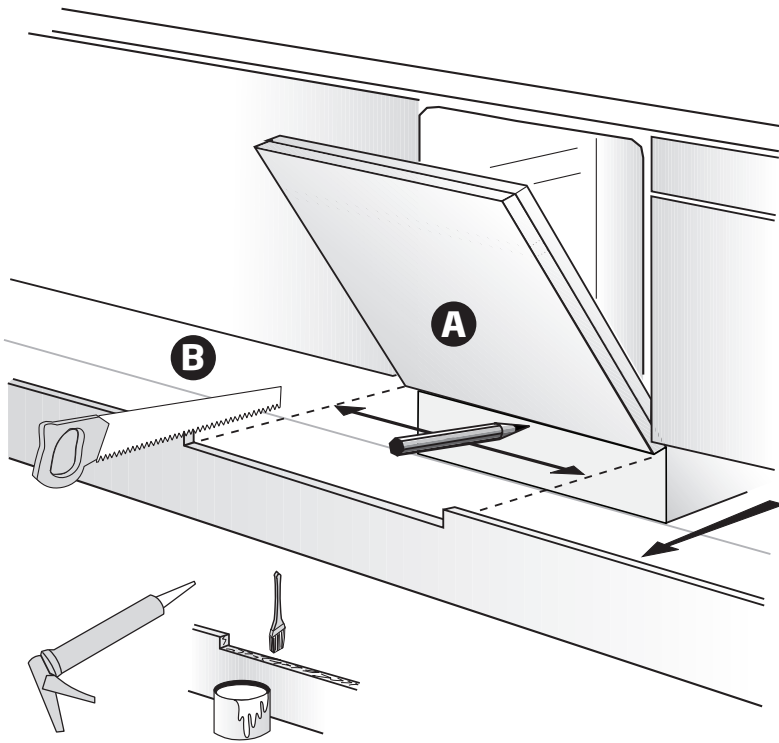
p.



x1



15.2 ADJUSTING A WOODEN TOE KICK



- Check whether the bottom of the door hits the toe kick of the kitchen cabinet (**A**).
- If the door hits the toe kick cut the necessary section out of the toe kick (**B**).
- Apply silicon or sealant to the cut edge of the kitchen cabinet toe kick or paint so it does not absorb moisture.

16. INSTALLER CHECKLIST

Your installer must have completed and checked the following:

- The dishwasher is square and level.
- The dishwasher is fastened securely to the cabinetry.
- The dishwasher door opens and closes freely. The dishwasher door must close without hitting any cabinetry or counter top.
- The inlet water supply is turned on and has been checked for leaks.
- The drain hose has been connected and checked for leaks. There must be no kinks or obstructions in the drain hose.
- The drain hose must be installed with a 28" (710mm) high drain loop for drain hook-ups.
- If the dishwasher drain is hooked up to a garbage disposal, the drain plug must be removed.
- The spray arms rotate freely.
- The rinse cycle has been run.
- The water level will be below the filter screen after the end of the wash program. It is normal to find some water in the drain filter area.

17. TROUBLESHOOTING

The screen does not come on:

- Check to make sure the breaker to the dishwasher is in the on position.
- Check to make sure that the Supply cord is plugged.

No Water is coming into the dishwasher:

- Check to make sure the hot water shut-off is in the ON position.

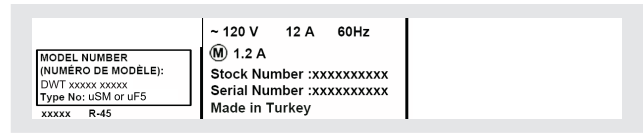
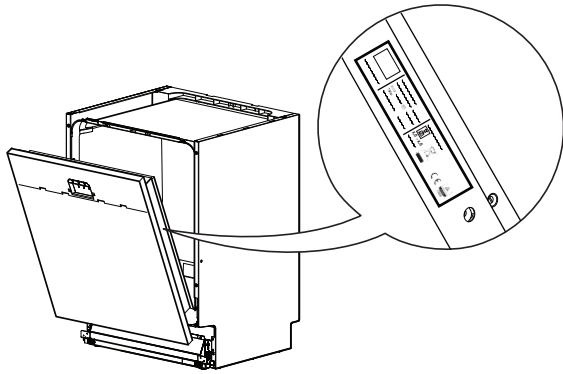
Water does not drain:

- Make sure drain hose is not kinked or comes out of air gap next to the sink.
- Remove drain hose from disposal making sure plug is removed.

i NOTICE :

- If your dishwasher is not operating properly after following these steps: Contact your dealer to schedule an authorized service agent to inspect your new dishwasher for any function related failure.
- The manufacturer warranty does not cover installation, conversion or customer education service visits.

18. SERVICE INFORMATION



You will find the model and serial number information on the label located on the right-hand side of the inner door of your dishwasher, as shown above.

[i] NOTICE :

Please make a copy of your invoice and keep it with this manual and register your dishwasher on-line.

If service is required, call your authorized service agency.

Have the following information readily available.

- Model number
- Serial number
- Date purchased
- Name of dealer from whom purchased

Clearly describe the problem that you are having. If you are unable to obtain the name of an authorized service agency, or if you continue to have service problems, contact Viking Range, LLC at 1-888-845-4641, or write to:

**VIKING RANGE, LLC
PREFERRED SERVICE**
111 Front Street
Greenwood, Mississippi 38930 USA

Record the information indicated below. You will need it if service is ever required. The model and serial numbers are located on an identification label attached to the left side of the tank. For access, simply open the door of the dishwasher.

Model no. _____ Serial no. _____

Date of purchase _____ Date installed _____

Dealer's name _____

Address _____

If service requires installation of parts, use only authorized parts to insure protection under the warranty.

Keep this manual for future reference.

Viking Range, LLC
111 Front Street
Greenwood, Mississippi 38930
(662)455-1200

For more product information call 1-888-845-4641 or visit our website at vikingrange.com

