

Use & Care MANUAL



3 & 5 SERIES

VDWU524SS
VDWU524WSSS
FDWU524WS
FDWU524
VDWU324SS
FDWU324

To prevent accidents, which could cause serious injury or death, as well as machine damage read these instructions before installation and / or use.


INTRODUCTION


CONTENTS


1. IMPORTANT SAFETY INSTRUCTIONS	1
2. RECYCLING	4
3. GETTING TO KNOW YOUR DISHWASHER	5
4. LOADING THE DISHWASHER	6
4.1 UPPER RACK	8
4.2 LOWER RACK	9
4.3 PROPER AND IMPROPER LOADING OF DISHWARE	11
5. WHAT SHOULD NOT BE WASHED IN YOUR DISHWASHER	12
OPERATING THE PRODUCT	12
PROGRAM SELECTION / PROGRAMME CANCEL KEY 5 SERIES	13
FUNCTION KEYS	13
PREPARING THE MACHINE	13
PROGRAM SELECTION	13
PROGRAMME SELECTION / PROGRAMME CANCEL KEY 3 SERIES	14
FUNCTION KEYS	15
PREPARING THE MACHINE	15
PROGRAM SELECTION	15
6.4 AUXILIARY FUNCTIONS	19
6.5 SCHEDULING THE WASHING TIME	20
6.6 STARTING THE PROGRAM	20
6.7 CANCELLING THE PROGRAM	21
6.8 SALT INDICATOR (S)	21
6.9 RINSE AID INDICATOR (✳)	21
6.10 END OF PROGRAM	21
6.11 WATER CUT-OFF WARNING	21
6.12 OVERFLOWING WARNING	21
7. DETERGENT	22
7.1 ADDING DETERGENT	22
7.2 TABLET DETERGENTS	22
7.3 RINSE AID	22
8. ADJUSTING THE WATER SOFTENING SYSTEM	23
9. FILLING THE DISHWASHER SALT DISPENSER	24
10. CARE AND MAINTENANCE	24
10.1 CARING FOR YOUR DISHWASHER EXTERIOR	25
10.2 CARING FOR YOUR DISHWASHER INTERIOR	25
10.3 CLEANING THE FILTERS	25
10.4 CLEANING THE HOSE FILTER	26
10.5 CLEANING THE WASH ARMS	26
11. TROUBLESHOOTING	27
12. TECHNICAL FEATURES	29
SERVICE INFORMATION	30
WARRANTY	31

Please read this user manual and particularly the safety instructions completely and carefully. They will save you time and effort and help to ensure optimum dishwasher performance.


Be sure to observe all listed warnings and cautions. Look particularly for the icons with exclamation marks inside. The information icon will also provide important references.


	WARNING: Indicates a potentially hazardous situation which, if not avoided, could result in death or serious injury.
--	---

	CAUTION: Indicates a potentially hazardous situation which, if not avoided, may result in injury. It may also be used to alert against unsafe practices.
--	---

	NOTICE: Indicates a potentially hazardous situation which, if not avoided, may result in damage to the dishwasher, the dishware, the equipment or the environment.
--	---


1. IMPORTANT SAFETY INSTRUCTIONS

	WARNING: When using the dishwasher, follow basic precautions, including the following: Read all instructions before using the dishwasher! Save these operating instructions and pass them on to any future user.
--	--

	<p>“This device complies with Part 15 of the FCC Rules. Operation is subject to the following two conditions: (1) this device may not cause harmful interference, and (2) this device must accept any interference received, including interference that may cause undesired operation.”</p> <p>“No changes shall be made to the equipment without the manufacturer’s permission as this may void the warranty”</p>
--	---

- Use the dishwasher only for its intended purpose as described in this user manual. This appliance is intended for normal household use only.
- **The manufacturer disclaims responsibility for damage or injury caused by improper use of this appliance.**
- The information in this user manual must be followed to minimize the risk of fire or explosion and to prevent property damage, personal injury or loss of life.
- Do not operate your dishwasher unless all the enclosure panels are properly in place.
- Do not tamper with the controls.
- Do not abuse, sit on, stand in or on the door or dish rack of the dishwasher.
- The cup racks are designed to support cups, glasses and kitchen utensils. When the cup racks are in the dishwasher do not lean on or use the cup racks to support your body weight.
- To reduce the risk of injury, do not allow children to play in, on or near the dishwasher.

- Use only detergents or rinse aids recommended for use in a household dishwasher and keep them in a dry place out of the reach of children. Check that the detergent dispenser is empty after the completion of each wash program.
- Dishwasher detergents contain chemicals that can cause sickness and may be if they are inhaled or swallowed. Also, be careful when opening the door due to hot steam that is produced during operation. Consult a doctor immediately if detergent has been swallowed or inhaled.
- If the hot water has not been used in several weeks, we recommend running the hot water taps to remove any built up hydrogen gases.
- Do not store or use flammable liquids or vapors in the area of the dishwasher.
- When loading items to be washed, position sharp items so that they are not likely to damage the door seal and load sharp knives with the handles up to reduce the risk of cut-type injuries.
- Do not wash plastic items unless they are marked “dishwasher safe” or the equivalent. For plastic items not so marked, check the manufacturer’s recommendations.
- If a malfunction occurs, switch off the appliance and turn off the water supply to the dishwasher.
- Please do not attempt to carry the dishwasher by yourself in order to avoid potential injuries. Two or more people are needed to move a dishwasher.
- Before cleaning or carrying out maintenance, switch off the appliance, disconnect the power plug and turn off the water supply.
- Repairs and technical modifications must be carried out exclusively by an Authorized technician.
- If the dishwasher is not in use for an extended period of time (i.e. vacation home), we recommend removing all items from the dishwasher, leave the door cracked open to allow air to circulate and turn off both the power and water supply to the dishwasher.
- This appliance comes with a three prong NEMA 5-15P 15A power cord. It must be connected to a Grounded and Polarized wall receptacle that has been installed and tested by a licensed electrician and that it has been installed based on all Local, State and Federal Electrical codes.

	WARNING: Improper connection of the equipment-grounding conductor can result in a risk of electric shock. Check with a qualified electrician or service representative if you are in doubt whether the appliance is properly grounded. Do not modify the plug provided with the appliance, if it will not fit the outlet, have a proper outlet installed by a qualified electrician.
---	---

- This appliance produces ozone within the washing compartment during normal operation. Long-term exposure to ozone or exposure at elevated levels may result in respiratory problems, especially for the elderly and children.
- Children should not operate this machine without adult supervision.
- Be careful to not leave the door fully open when not being loaded or unloaded to prevent someone from

tripping on the unit.



WARNING: If your dishwasher is equipped with internal illumination, lamp should only be replaced by the Authorized Service Agent in case of failures that may occur on the lamp.



WARNING: This product can expose you to chemicals including Nickel (Metallic) which is known to the State of California to cause cancer.

For more information go to www.P65Warnings.ca.gov

Note: Nickel is a component in all stainless steel and some other metal components.

SAVE THESE INSTRUCTIONS

- Service should be performed by a qualified installer. Work by unqualified persons could be dangerous and may void the warranty.
- Do not operate the appliance if damaged, malfunctioning, partially disassembled or if it has missing or broken parts.
- Before installation or service, disconnect the power supply to the work area by unplugging the unit, “tripping” the circuit breaker or removing the fuse.
- For safety reasons, dishwasher must be secured to adjacent cabinetry using the brackets provided. Failure to do this may cause damage to property or bodily injury.
- Do not use any extension cord or portable outlet device to connect the dishwasher to a power supply.

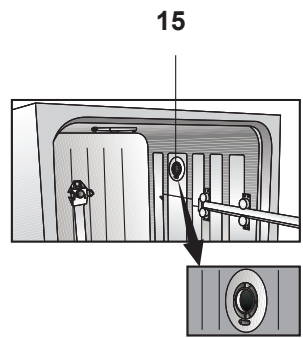
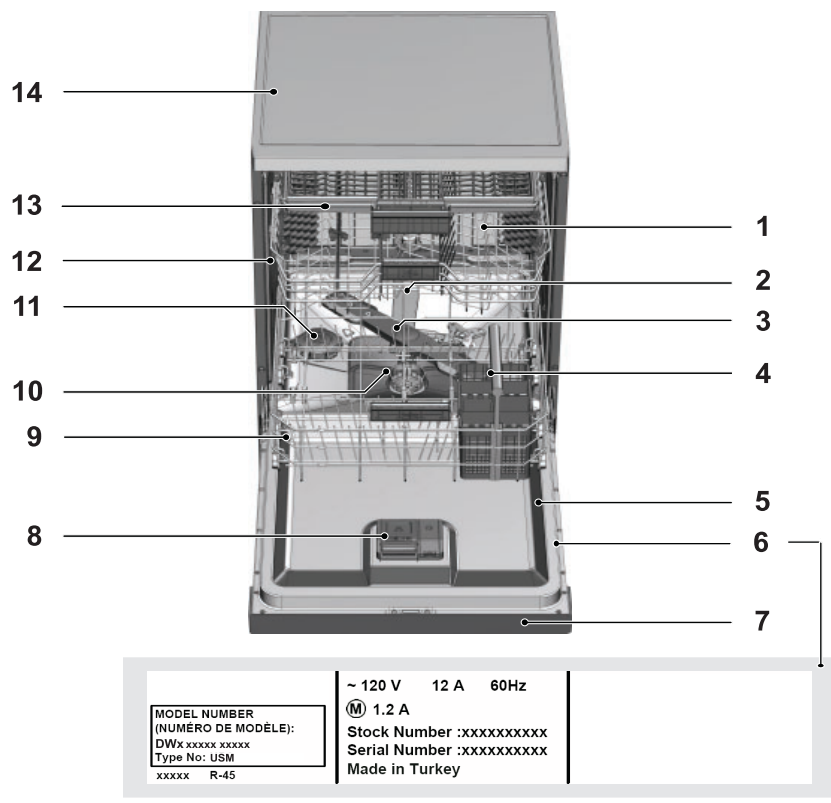
2. RECYCLING

- Remove the door to the washing compartment when removing an old dishwasher from service or discarding it. Ensure that the appliance presents no danger to children while being stored for disposal.
- Remove the door lock or door of the washing compartment before disposing dishwasher so that children or small animals can not trapped inside.
- Old appliances may contain materials that can be recycled. Please contact your local recycling authority about the possibility of recycling these materials.
- Please check the water supply line periodically. It is susceptible to breakage. It becomes less flexible as time goes by. Replace it immediately when it is torn, cut, swollen or there is water leakage.
- Please keep the dishwasher package out of the reach of children after unpacking it.



WARNING: Danger of suffocation! Ensure that any plastic wrappings, bags, small pieces etc. are disposed of safely and kept out of the reach of children.

3. GETTING TO KNOW YOUR DISHWASHER

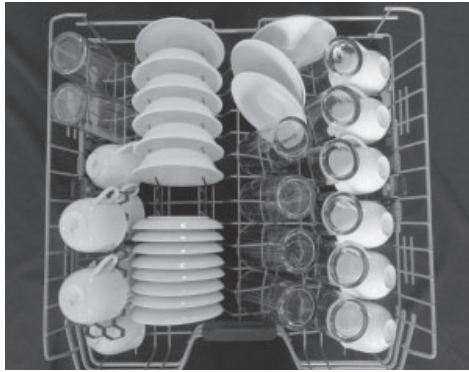


1. Upper basket
2. Upper impeller
3. Lower impeller
4. Removable cutlery basket
5. Door
6. Model and Serial Tag
7. Control panel
8. Detergent and rinse agent dispenser
9. Lower basket
10. Filters
11. Salt container (Select Models)
12. Upper basket rail
13. Upper cutlery basket (Select Models)
14. Tabletop (Select Models)
15. Turbo fan heat drying system (Select Models)

4. LOADING THE DISHWASHER

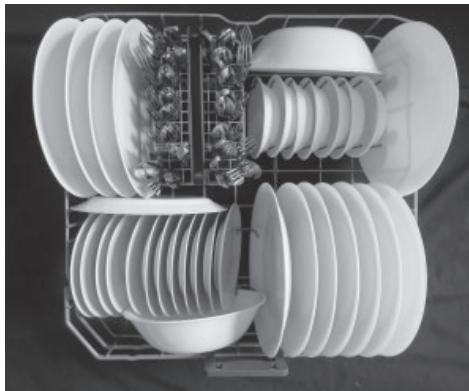
1. Pull the handle to open the door. If the door is opened during operation, the dishwasher will stop running. Once the door is closed the program will continue.
2. Remove coarse food leftovers from tableware.
3. Now you can load the dishwasher.

Upper rack (Standard Pattern)



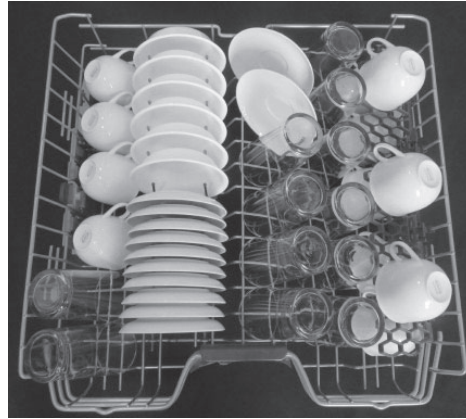
Top rack load pattern for 12 place settings according to the AHAM DW-1 Standards

Lower rack (Standard Pattern)



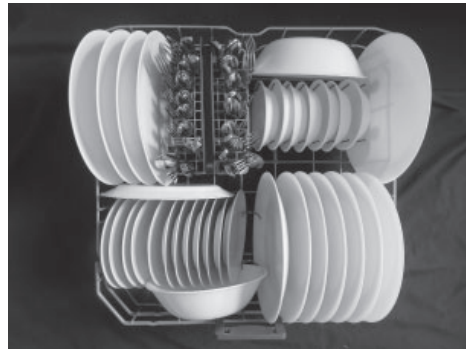
Bottom rack load pattern for 12 place settings according to the AHAM DW-1 Standards

Upper rack (International Pattern)



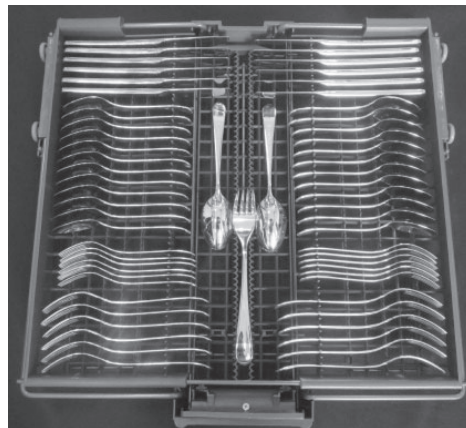
International Loading Pattern – Top rack (12 place settings)

Lower rack (International Pattern)



International Loading Pattern – Bottom rack (12 place settings)

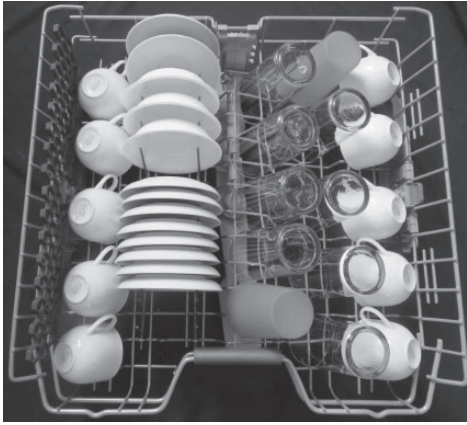
Upper cutlery basket (Select Models)



International Loading Pattern – Upper cutlery basket (12

place settings)

Upper rack (Select Models)



Additional Loading Pattern – Top rack (10 place settings)

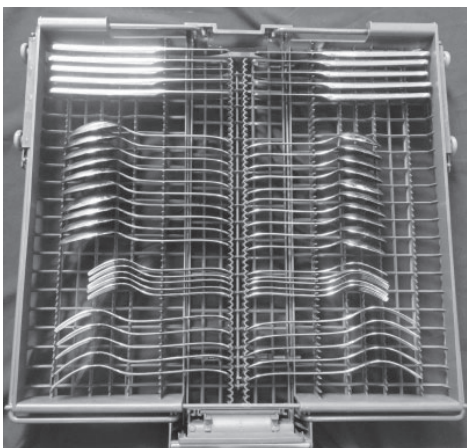
Lower rack (Select Models)



Additional Loading Pattern – Bottom rack (10 place settings)

Upper cutlery basket (Select Models)

Upper cutlery basket (MODEL DEPENDING)



International Loading Pattern – Upper cutlery basket (10 place settings)



CAUTION: Large knives and other utensils with sharp tips and edges must be placed horizontally into the upper rack due to risk of injury. Other smaller knives and sharp utensils should be placed with sharp side down in the cutlery basket.



CAUTION: Use extreme caution when removing knives and other sharp utensils from the dishwasher. These items may have shifted position during the wash program, and may be wet or slippery.



CAUTION: Hot steam can escape! Danger of serious burns or other injury.

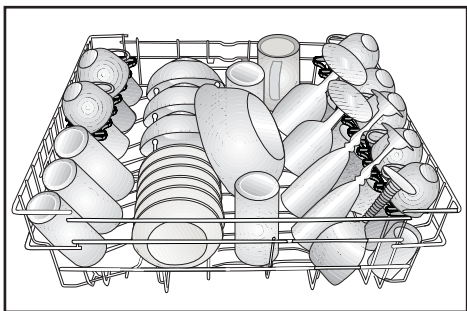


NOTICE: Lower basket should be removed out of the dishwasher during the tests according to AHAM DW-1.

- Your dishwasher holds a maximum of 12 place settings.
- Place all containers such as cups, glasses and pots into the dishwasher with the opening facing downwards (so that no water can collect).
- Small and light items can go into the upper rack.
- Long and narrow items are placed in the middle of the racks.
- Place all large and very dirty items in the lower rack.
- Load dishes accordingly and be careful when loading glasses so they do not hit each other during the wash cycle. Also, make sure that both wash arms are not in contact with any dishware.
- Do not overload your dishwasher and pay attention to manufacturer instructions regarding dishes which are appropriate for use in for a dishwasher. Only with suitable dishes (mentioned in section 5) will you obtain optimal washing results with a sensible use of energy.

4.1 UPPER RACK

Load the upper rack with dessert plates, cups, glasses etc.

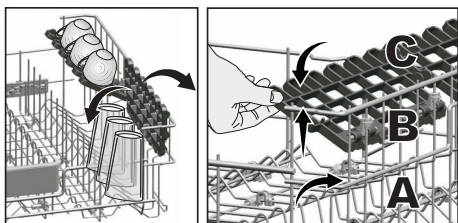


ADJUSTABLE SHELVES

(Select Models)

Depending on the size of the glasses and cups, the shelf height setting may be adjusted.

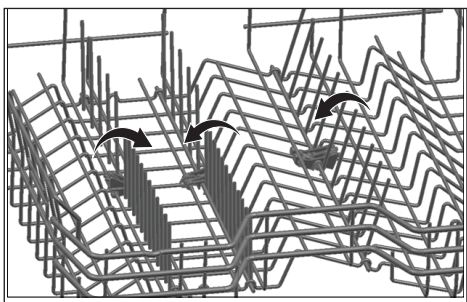
1. Fold the shelf upwards **A**.
2. Positioning at the desired height **B**.
3. Fold the shelf again downwards **C**.



COLLAPSIBLE UPPER BASKET WIRES

(Select Models)

You can use collapsible wires when you need a larger space for your dishes in the upper basket of your machine. To bring the collapsible wires into horizontal position, grab the wire from the middle position and push them in the direction of arrow in the figure. Place your larger dishes into the area created. To bring the wires back to vertical position, just lift them up.



Bringing the wires to the horizontal position by holding them from the tips may cause them to bend. Therefore, hold the wires from their stems while bringing them to the horizontal or vertical positions.

ADJUSTING THE HEIGHT OF THE UPPER BASKET

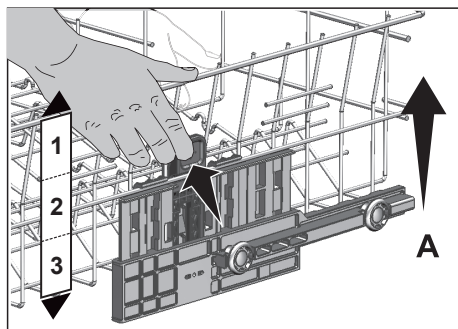
(Select Models)

The upper basket height adjustment mechanism has been designed for you to create large spaces in the lower or upper sections of your machine depending on your needs by adjusting the height in the upper or lower direction while your basket is empty or loaded.

Thanks to this mechanism, you can use your basket in three different positions lower, middle and upper positions (1, 2, 3).

1. To raise your basket, hold the upper basket wires with both hands while the basket is in the lowermost position and pull them up (**A**).
2. You will hear a "Click" from the right and left mechanisms, indicating that the basket has reached the next level. Release the basket.

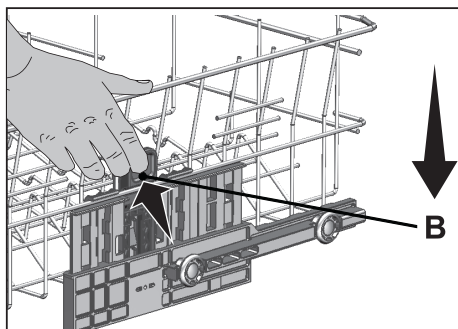
Repeat the process if the height is not sufficient.



To lower the basket, while it is in the uppermost position;

1. Hold the upper basket wires with both hands, slightly lift up the basket and simultaneously push and release the latches shown in the figure (**B**).
2. Lower the basket from its current position to the lower one.
3. Release the basket after it has reached one level down.

Repeat the process if the height is not sufficient.



The movement mechanism may not function properly if the upper basket is overloaded or if the weight distribution is not balanced. In heavier conditions, there is the risk of falling one level down.

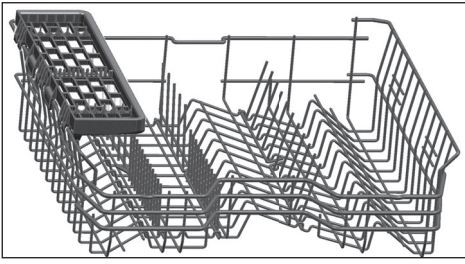


Make sure that the adjustment mechanism has the same positions on the right and left sides of the upper basket.

UPPER BASKET MULTIPURPOSE SERVICE RACK

(Select Models)

This accessory located at the upper basket of your machine allows you to easily wash pieces such as extra long ladles and bread knives.



You can lift up the upper basket multipurpose service rack to remove it if you do not want to use it.

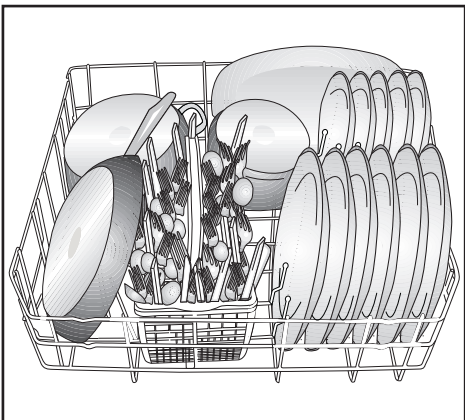


If you want to use the upper basket multipurpose service rack again, you can easily attach it to the side section of your upper basket.



4.2 LOWER RACK

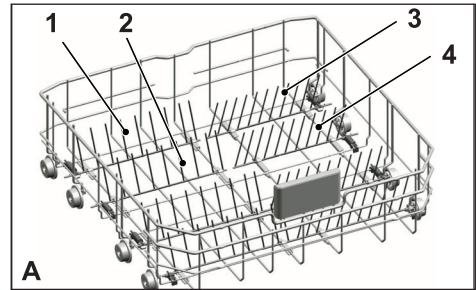
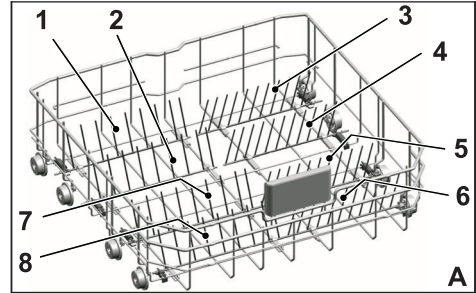
Use the lower rack for plates, bowls, pots etc.



COLLAPSIBLE LOWER BASKET TINES

(Select Models)

There are foldable tines (A) located in the lower basket of the machine that are designed for an easier placement of large pieces such as pans, bowls, etc. You can create larger spaces by folding each tines individually or all of them at once.



To bring the collapsible tines into horizontal position, grab the tines from mid position and push them in the directions of arrows (B). To bring the tines back to vertical position, just lift them up. Collapsible tines will click into the latch again (C).

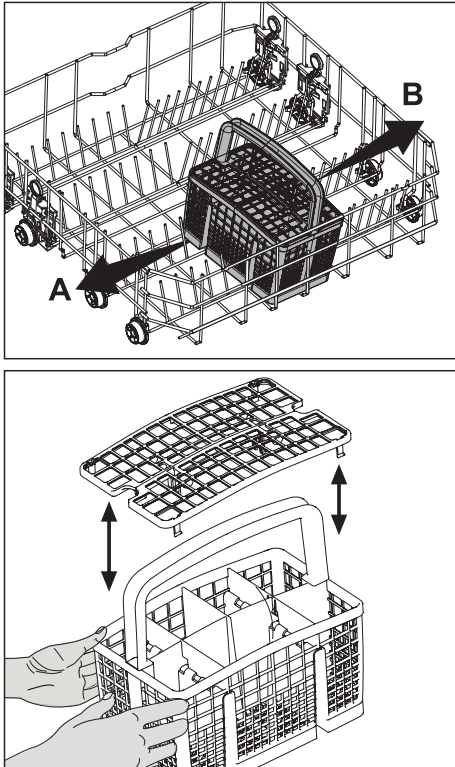


Bringing the tines to the horizontal position by holding them from the tips may cause them to bend. Therefore, it will be appropriate to bring the tines in the middle to horizontal or vertical position by holding them from their stems and pushing in the direction of arrow.

REMOVABLE CUTLERY BASKET

(Select Models)

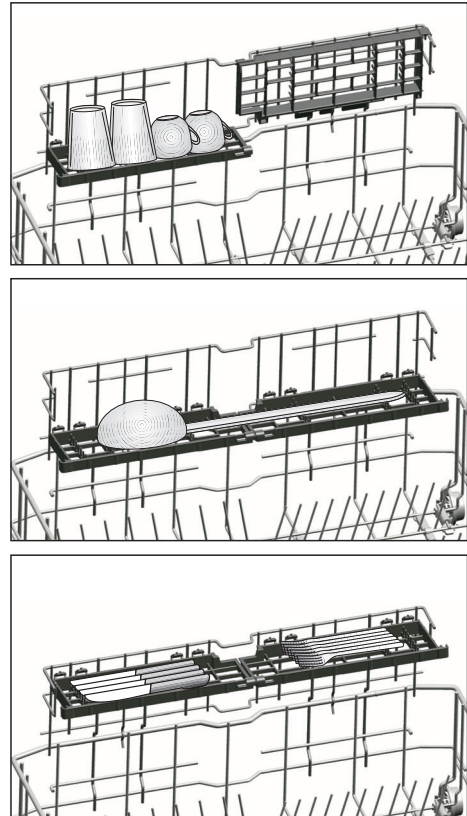
Removable cutlery basket is designed to wash your dishes such as knife, fork, spoon, etc. in a more efficient manner. Since the silverware basket can be moved (A, B), you can create more space while placing your dishes in the lower basket and free up space for your dishes of different sizes.



LOWER BASKET MULTIPURPOSE / HEIGHT ADJUSTABLE SERVICE RACK

(Select Models)

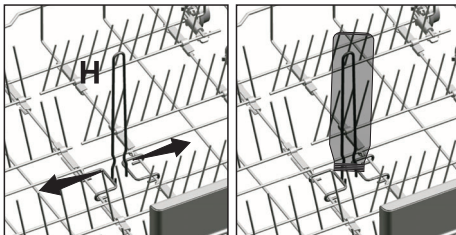
This accessory located in the lower basket of your machine allows you to easily wash pieces such as extra glasses, long ladles and bread knives.



LOWER BASKET BOTTLE WIRE

(Select Models)

The bottle wire is designed for easier washing of long pieces with wide mouths. You may take out the bottle wire from the basket when not in use by pulling it out from both sides (H).



You may use the racks as required by moving them to lower or upper position, or close them to create a wider space in your lower basket.



Make sure that the impeller does not touch the dishes you placed on the racks.

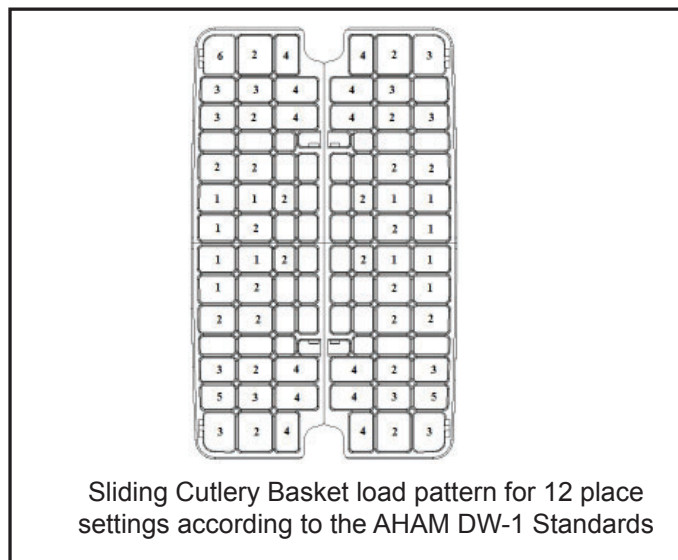
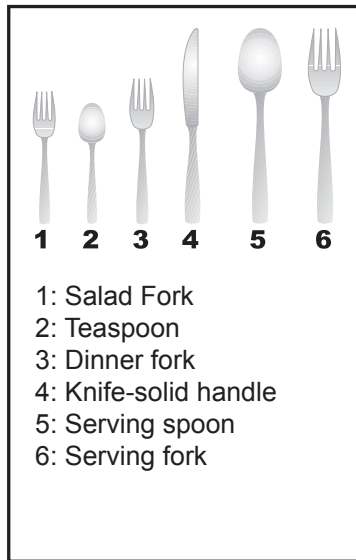
UPPER CUTLERY BASKET

(Select Models)

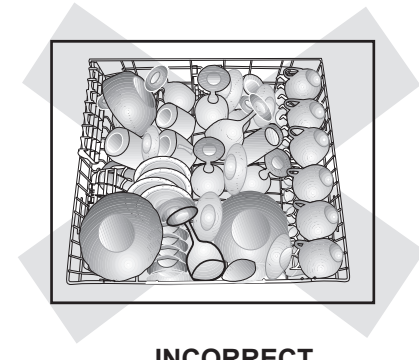
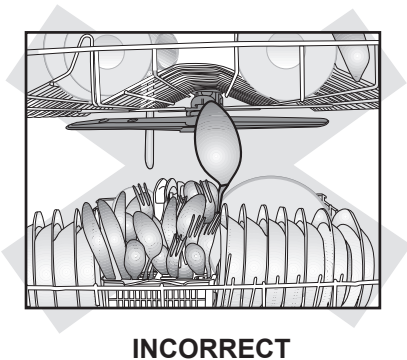
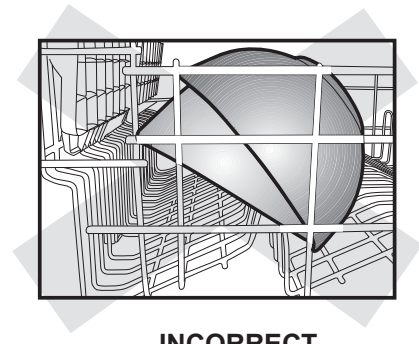
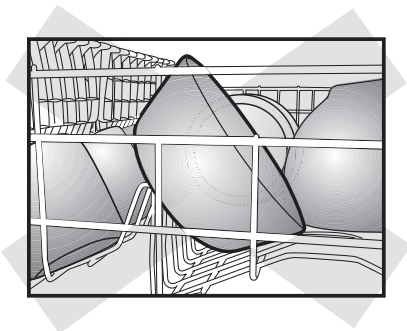
Upper cutlery basket is designed to wash your cutlery items such as forks, spoons and etc. by placing them between the bars on the basket.



4.3 PROPER AND IMPROPER LOADING OF DISHWARE



- Place all containers such as cups, glasses and pots into the dishwasher with the opening facing downwards (so that no water can collect).
- The movement of the spray arms must not be hindered.
- Do not overload your dishwasher.
- Only with suitable dishes (mentioned in section 5) will you obtain optimal washing results with a sensible use of energy.



5. WHAT SHOULD NOT BE WASHED IN YOUR DISHWASHER

- Rust-sensitive steel parts like iron and cast iron that can rust and stain other utensils and damage the interior stainless steel liner of the dishwasher and void the warranty. Do not wash copper, brass, pewter, bronze or tin.
- Cutlery with wooden or horn handles and cutlery with mother-of-pearl or porcelain handles will deteriorate over time if put in the dishwasher.
- Plastics may lose their shape or color with hot water, please follow the instructions of plastic manufacturers. Be sure that plastic items are marked "dishwasher safe".
- Glued dishes or cutlery are not suitable for machine washing since certain adhesives may get soft or dissolve with hot water.
- Aluminum may fade over time. Minerals in water and detergent may cause the aluminum to darken or spot.
- Sterling silver articles should not be washed in the dishwasher because they tend to discolor and become dull by dishwasher detergent.
- Silverware and stainless steel items should not be in contact with each other. Mixing these items can cause staining. Remove and hand dry these items immediately when the program ends.
- Decorated glasses, porcelain, fine china and china with gold rims are sensitive to machine washing. They may lose their patterns and colors over time.
- Crystal and very fine glassware may become opaque (etch) losing their shine over time. You may prefer to wash them by hand.
- Do not wash sponges or dish cloths in dishwasher.
- Do not wash art and craft articles in dishwasher.
- Disposable plastics and disposable aluminum cannot withstand high temperatures; do not wash them in the dishwasher.



CAUTION: If in doubt, wash by hand or follow the instructions from the manufacturer of utensils, dishes, glasses or pots and pans.
Do not wash items soiled with cigarette ash, candle wax, varnish, paints or chemicals since they can damage you dishwasher.



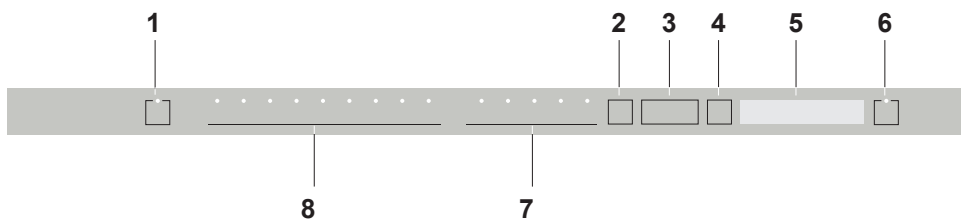
NOTICE: We recommend when buying new dishware, try to choose ones that are suitable for machine washing (marked as dishwasher safe).

CARING FOR YOUR DISHWARE

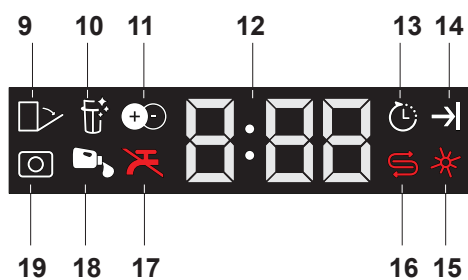
The combination of high temperatures and dishwasher detergent may cause damage to some items if they are washed in the dishwasher. Remember, if there is any doubt about any aspect concerning items to be washed in the dishwasher, follow the instructions from the manufacturer of the items, or wash the items by hand.

5 SERIES

OPERATING THE PRODUCT



1. On / Off Key
2. Menu Key
3. Time Delay Selection / Menu Direction Selection Keys
4. Selection / Confirmation Key
5. Display
6. Start / Pause / Cancel Key
7. Function Selection Keys
 - F1 IntenseWash Function
 - F2 Express Function
 - F3 High Gloss Function
 - F4 Sanitize Function
8. Programme Selection Keys



9. Auto Door Open Indicator (depends on the model)
10. Filter Cleaning Function Indicator (depends on the model)
11. Function Indicator (depends on the model)
12. Delay Time / Program Time Indicator
13. Delayed Start Indicator
14. End of Program Indicator
15. Rinse Aid Indicator
16. Salt Indicator
17. Water Cut-off Indicator
18. Liquid Detergent Dosing Indicator (depends on the model)
19. Tablet Detergent Indicator (depends on the model)

On/Off Key

When you press the On/Off key, the indicator lights illuminate on the display for ON position. The lights turn off in OFF position.

PROGRAM SELECTION / PROGRAM CANCEL KEY

Select the desired program using the “program selection keys” and press the button.

To cancel the running program, open the door of the machine and press and hold the Start/Pause/Cancel key for 3 seconds.

After the 3 - 2 - 1 countdown, 0:01 is displayed, close the door of the product and wait for the draining process complete. Draining is completed in 2 minutes and the machine gives an audible warning when it is completed.

FUNCTION KEYS

If you press any of the Function keys during program selection or time delay selection, an affirmative key signal will be heard provided that the relevant function is supported by the selected program. Function will be deemed selected when the indicator of the selected function is lit.

To cancel the selected function, keep the function key pressed until the function indicator disappears.

PREPARING THE MACHINE

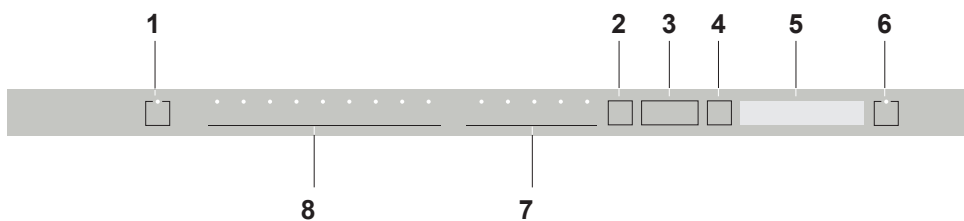
1. Open the door of the dishwasher.
2. Place the dishes in accordance with the instructions in the user manual.
3. Make sure that the upper and lower impellers rotate freely.
4. Put adequate amount of detergent into the detergent dispenser.

PROGRAM SELECTION

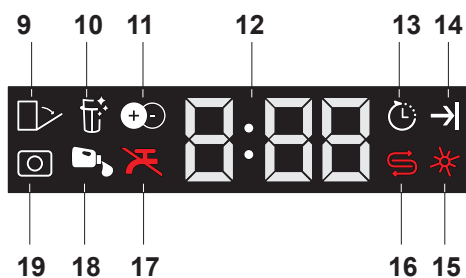
1. Press the On/Off button to turn on your machine.
2. Check the Salt and Rinse Aid indicators and add salt and/or rinse aid if needed.
3. Refer to the table of "Program data and average consumption values" to determine a washing program suitable for your dishes.
4. Press flashing Start/Pause/Cancel key. Close the door. If the door is not closed immediately after pressing start, the unit will not start. Push the Start button again and close the door immediately.

3 SERIES

OPERATING THE PRODUCT



1. On / Off Key
2. Menu Key
3. Time Delay Selection / Menu Direction Selection Keys
4. Selection / Confirmation Key
5. Display
6. Start / Pause / Cancel Key
7. Function Selection Keys
 - F1 Express Function
 - F2 High Gloss Function
 - F3 Sanitize Function
 - F4 Half Load Function
8. Programme Selection Keys



9. Auto Door Open Indicator (depends on the model)
10. Filter Cleaning Function Indicator (depends on the model)
11. Function Indicator (depends on the model)
12. Delay Time / Program Time Indicator
13. Delayed Start Indicator
14. End of Program Indicator
15. Rinse Aid Indicator
16. Salt Indicator
17. Water Cut-off Indicator
18. Liquid Detergent Dosing Indicator (depends on the model)
19. Tablet Detergent Indicator (depends on the model)

On/Off Key

When you press the On/Off key, the indicator lights illuminate on the display for ON position. The lights turn off in OFF position.

PROGRAM SELECTION / PROGRAM CANCEL KEY

Select the desired program using the "program selection keys" and press the button.

To cancel the running program, open the door of the machine and press and hold the Start/Pause/Cancel key for 3 seconds.

After the 3 - 2 - 1 countdown, 0:01 is displayed, close the door of the product and wait for the draining process complete. Draining is completed in 2 minutes and the machine gives an audible warning when it is completed.

FUNCTION KEYS

If you press any of the Function keys during program selection or time delay selection, an affirmative key signal will be heard provided that the relevant function is supported by the selected program. Function will be deemed selected when the indicator of the selected function is lit.

To cancel the selected function, keep the function key pressed until the function indicator disappears.

PREPARING THE MACHINE

1. Open the door of the dishwasher.
2. Place the dishes in accordance with the instructions in the user manual.
3. Make sure that the upper and lower impellers rotate freely.
4. Put adequate amount of detergent into the detergent dispenser.

PROGRAM SELECTION

1. Press the On/Off button to turn on your machine.
2. Check the Salt and Rinse Aid indicators and add salt and/or rinse aid if needed.
3. Refer to the table of "Program data and average consumption values" to determine a washing program suitable for your dishes.
4. Press flashing Start/Pause/Cancel key. Close the door. If the door is not closed immediately after pressing start, the unit will not start. Push the Start button again and close the door immediately.

PROGRAM TABLE

Program number	1	2	3	4	5	6	7	8
Program name	Auto	Combi Clean	Pots & Pans+	Regular Wash *	GlassCare	Hour Wash	Quick Wash	Rinse & Hold
Wash Temperatures	(°C) 50-55 (°F) 142-157	55 131	70 158	50-55 122-131	45 113	49 120	45 113	0 0
Rinse Temperatures	(°C) 61-67 (°F) 122-131	66 151	75 167	61-67 142-157	65 149	71 160	55 131	0 0
Degree of dirtiness	Medium - High	Medium	High	Medium	Light	Light - Medium	Light	-
Detergent in dispenser section	15 ml 15-25 ml + 5 ml	- + +	- + +	- + +	- + -	- + +	+ - -	- - -
Recommended detergent amount	Hard water ml 5-8 tsp Medium water ml 15-40 3-8 tsp Soft water ml 15-40 3-8 tsp	40 8 40 8 25-40 5-8	40 8 40 8 25-40 5-8	25-40 5-8 25 5 15-25 3-5	25 5 15-25 3-5	25-40 5-8 25 5 15-25 3-5	15-25 3-5 15 3 3	- - - - - +
Wash	+	+	+	+	+	-	-	+
Main wash	+	+	+	+	+	+	+	-
Dry	+	+	+	+	+	+	-	-
Sanitize	+	-	+	+	-	-	-	-
Duration (minutes)	100-152	182	122	100-152	101	58	35	15
Water (liters)	9.0-21.2	19.2	20.2	11.4-23.6	13.6	10.4	11.6	4.2
Water (gallons)	2.38-5.55	5.2	5.34	2.91-6.07	3.40	2.70	3.10	1.10

The consumption values shown in the table were determined under standard conditions. For this reason, deviations are possible under practical conditions. * The energy-usage label is based on this program.

PROGRAM TABLE

Program number	1	2	3	4	5	6	7	8
Program name	Auto	Combi Clean	Pots & Pans+	Regular Wash *	GlassCare	Hour Wash	Quick Wash	Rinse & Hold
Wash Temperatures	(°C)	55	70	50-55	45	49	45	0
	(°F)	131	158	122-131	113	120	113	0
Rinse Temperatures	(°C)	66	75	61-67	65	71	55	0
	(°F)	151	167	142-157	149	160	131	0
Degree of dirtiness	Medium - High	Medium	High	Medium	Light	Light - Medium	Light	-
Detergent in dispenser section	15 ml	-	-	-	-	-	+	-
	15-25 ml	+	+	+	+	+	-	-
	+ 5 ml	-	+	+	-	+	-	-
Recommended detergent amount	Hard water	40	40	25-40	25	25-40	15-25	-
	Medium water	8	8	5-8	5	5-8	3-5	-
	ml	40	40	25	15-25	25	15	-
	tsp	8	8	5	3-5	5	3	-
Soft water	ml	25-40	25-40	15-25	15	15-25	15	-
	tsp	5-8	5-8	3-5	3	3-5	3	-
Wash	+	+	+	+	+	-	-	+
Main wash	+	+	+	+	+	+	+	-
Dry	+	+	+	+	+	+	-	-
Sanitize	+	-	+	+	-	-	-	-
Duration (minutes)	100-152	182	122	100-152	101	58	35	15
Water (liters)	9.0-21.2	19.2	20.2	9.0-21.2	13.6	10.4	11.6	4.2
Water (gallons)	2.38-5.55	5.2	5.34	2.91-6.07	3.40	2.70	3.10	1.10

The consumption values shown in the table were determined under standard conditions. For this reason, deviations are possible under practical conditions. * The energy-usage label is based on this program.

PROGRAM TABLE

Program number	1	2	3	4	5	6
Program name	Pots & Pans+	Regular Wash *	China/Crystal	Hour Wash	Quick Wash	Rinse & Hold
Wash Temperatures	70	50-55	48	47	45	0
(°C)						
(°F)	162	122-131	118	116,6	113	0
Rinse Temperatures	72	61-67	65	71	55	0
(°C)						
(°F)	158	142-157	149	160	131	0
Degree of dirtiness	High	Medium	Light	Light - Medium	Light	-
Detergent in dispenser section	-	-	-	-	+	-
15 ml	+	+	+	+	-	-
15-25 ml	+	+	+	+	-	-
+ 5 ml	+	+	-	+	-	-
Recommended detergent amount	40	25-40	25	25-40	15-25	-
Hard water	8	5-8	5	5-8	3-5	-
ml						
Medium water	40	25	15-25	25	15	-
ml						
Soft water	8	5	3-5	5	3	-
ml						
tsps	25-40	15-25	15	15-25	15	-
tsps	5-8	3-5	3	3-5	3	-
Wash	+	+	+	-	-	+
Main wash	+	+	+	+	+	-
Dry	+	+	+	+	-	-
Sanitize	+	+	-	-	-	0
Duration (minutes)	122	100-135	65	58	35	15
Water (liters)	20.2	8.8-21.2	12	10.4	11.6	4.2
Water (gallons)	5.34	2.32-5.60	3.17	2.70	3.10	1.10

The consumption values shown in the table were determined under standard conditions. For this reason, deviations are possible under practical conditions. * The energy-usage label is based on this program.

6.4 AUXILIARY FUNCTIONS

Washing programs of your dishwasher are designed to obtain the best cleaning effect, considering the type of the soiling, soiling degree and properties of the dishes to be washed.

Auxiliary functions allow you to save time, water and power.



Auxiliary functions may cause changes in the program duration.



Auxiliary functions are not suitable for all washing programs. Indicator of the auxiliary function that is not compatible with the program will not be active.

Half Load function

It is used to operate the machine without loading it completely.

1. Load your dishes in the machine as you like. You can use both upper and lower racks.
2. Turn the machine on with On/Off key.
3. Select the desired program and press the Half Load key. The Half Load indicator will light on the display in the Function Selected indicator.
4. Start the program by pressing Start / Pause / Cancel key.

Express Function

It shortens the time of the washing cycle selected and decreases water consumption by enabling washing under higher pressure.

High Gloss Function

It provides superior drying performance.

Sanitize Function

Sanitize function raises the water temperature in the final rinse to meet the requirements of NSF/ANSI STANDARD 184 for Residential Dishwashers. Certified residential dishwashers are not intended for licensed food establishments.

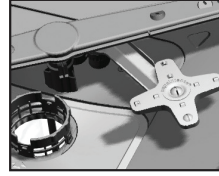


At the end of a successful sanitization "SAN" is displayed on the display. "SAN" is not displayed on the display if the cycle is interrupted or the water could not be heated to the required temperature.



Available programs are indicated on Program Table chart.

IntenseWash Function



IntenseWash impeller located under the lower impeller helps washing your heavily soiled dishes placed in the right side of the lower basket. It will give better results to place the most soiled dish to the right front side.



Do not try to remove the IntenseWash impeller!

Floor illumination

Illuminates to show program is still running.

(Select Models)

Your machine reflects a light to the floor during the washing process. This light turns off after the washing process is complete.



Floor illumination cannot be cancelled by the user.

Interior Lighting

(Select Models)

Some models have interior lighting to illuminate the interior when the door is opened.

Changing the interior lighting setting

1. After switching on your machine, press the Menu key for 1 second.
2. Press <- and +> to proceed to "L:" on the display. Select the position you want with the Selection key. Interior lighting is off in "L:0" position and on in "L:1" position.
3. Press the Menu key to exit the settings menu. Your setting will be saved automatically.

Changing Warning Sound Volume

1. After switching on your machine, press the Menu key for 1 second.
2. Press <- and +> to proceed to "S:" on the display.
3. Each pressing on the Selection key will change the warning sound volume as "S:0" off, "S:1" medium and "S:2" high.
4. Press the Menu key to exit the settings menu. Your setting will be saved automatically.



Factory setting of your machine is "S:2".

Functions Under the Settings Menu

(depends on the model)

Under the settings menu of your product, there are some additional functions that depend on the model.

To access these functions, press and hold the Menu key for 3 seconds. Use <- and +> to proceed to the desired function or setting.

Use the selection key to change the desired function or setting and press the Menu key to exit the Settings menu.

Detergent Tablet Function Off/On



Tablet detergent function

Allows to obtain a better drying performance from the multi-purpose detergents called as all in one detergents such as 2in1, 3in1, 4in1, 5in1 and etc., depending on the hardness level of the tap water.



If you have used the Tablet features during the last washing programme you used, Tablet function will remain active in the next washing programme you will select. If you do not want to use these functions in the new program you have selected, press the Tablet Detergent key until the indicator of the relevant function turns off.



Tablet Detergent function may cause change in the programme duration.

6.5 SCHEDULING THE WASHING TIME

Time Delay

If an economical electricity tariff is applied in your region, you can use the Time Delay function to wash your dishes during appropriate hours.

You can delay the start of the selected program until 24 hours.

1. Press the Time Delay function key after selecting the washing program and other auxiliary functions.
2. Once you press the Time Delay key, Display Information Line will show "0:30" and Time Delay indicator will start flashing.
3. Set the desired time by pressing the Time Delay key. Time will increase with increments of 30 minutes up to 6 hours and after that in 1 hour increments up to 24 hours every time you press the key.
4. Close the door of your machine after setting the Delayed Start. Once the delay time is over, the selected program will start automatically.

Changing the settings while Time Delay function is active

While the Time Delay function is activated, you cannot make changes in the washing program, auxiliary functions or the duration of delay time.



Program and auxiliary functions cannot be set/changed after the program has started.

To cancel the Time Delay function

Open the door of the product Press and hold the Program Selection / Program Cancel keys for 3 seconds. After the 3 - 2 - 1 countdown, 0:01 is displayed, close the door of the product and wait for the draining process complete. Draining is completed in 2 minutes and the machine gives an audible warning when it is completed.



You can select and start a new program following the cancellation of Time Delay function.



Time Delay function cannot be set after the program starts.

6.6 STARTING THE PROGRAM

Press flashing Start/Pause/Cancel key. Close the door.



Select Models:
Your machine performs water softening depending on the hardness level of the supply water. Washing time can change while the program is running depending on the ambient temperature where your machine is installed, temperature of the supply water and amount of the dishes.



Pay attention not to open the door of the machine when it is running. There may be a rush of steam when you open the door of your machine; be careful.



The machine will be switched off if no button is pressed within 5 seconds after opening the door while the machine is running.



After the door has been opened, if any button is pressed within 5 seconds and the door is closed, the selected program resumes; otherwise, the machine will be switched off. Open the door after the machine has been switched off, press On/Off button and close the door within 5 seconds. The program will resume washing.



The machine will remain silent in pause mode for some time in order to remove the water from the machine and on the dishes completely and to have the water softener cleaned, and then it will resume running in drying mode.

6.7 CANCELLING THE PROGRAM

Open the door of the product press and hold the Start/ Pause/ Cancel key for 3 seconds. After the 3 - 2 - 1 countdown, 0:01 is displayed, close the door of the product and wait for the draining process complete. Draining is completed in 2 minutes and the machine gives an audible warning when it is completed.



There might be residues of detergent or rinse aid in the machine and/or on the pieces being washed depending on the step the program you have cancelled was in.

6.8 SALT INDICATOR (S)

(SELECT MODELS)

Please check the salt indicator on the display to see whether there is adequate amount of softening salt in the dishwasher or not. You need to refill the salt reservoir with salt whenever salt indicator appears on the display of your machine.



Adjusting the water hardness level is explained in Water Softening System section.

6.9 RINSE AID INDICATOR (☼)

Please check the rinse aid indicator on the display to see whether there is adequate amount of rinse aid in the dishwasher or not. You need to refill the rinse aid reservoir with rinse aid whenever rinse aid indicator appears on the display of your machine.

Adjusting the amount of rinse aid

1. After switching on your machine, press the Menu key for 1 second.
2. Using <- and +> keys, proceed to "P:" on the display.
3. Set to the appropriate level with the Selection key.
4. Press the Menu key to exit the settings menu. Your setting will be saved automatically.

No rinse aid dispensed in P:0 wash position.

- 1 dose of rinse aid is dispensed in P:1 position.
- 2 doses of rinse aid are dispensed in P:2 position.
- 3 doses of rinse aid are dispensed in P:3 position.
- 4 doses of rinse aid are dispensed in P:4 position.

6.10 END OF PROGRAM



When the program you have selected comes to an end, an audible warning signal will warn you to turn off your machine. This audible signal will warn you with certain intervals before it turns off.

End of Program indicator will light up when the washing program is over.

1. Open the door of the machine.
2. Press On/Off key to turn off your machine.
3. Close the door.



For energy saving, the machine is automatically turned off following the completion of the program or if the program is not started.



Leave your dishes in the machine for about 15 minutes to allow them cool down after they are washed. Your dishes will dry in a shorter time if you leave the door of your machine ajar during this period. This process will increase the drying effectiveness of your machine.

6.11 WATER CUT-OFF WARNING

If main water supply is cut or water inlet valve is turned off the machine cannot take water in and E:02 icon will flash on the program indicator. As long as the problem continues, washing program is paused and the water inlet is checked regularly by the machine; when the water is restored E:02 icon will disappear after a while and the washing program resumes.

6.12 OVERFLOWING WARNING

If the machine intakes too much water or there is leakage at any of the components then the machine will detect this and E:01 icon will flash on the Program indicator. As long as the overflowing continues safety measures will become active and try to discharge the water. If overflowing stops and safety is assured, E:01 icon will disappear. If E:01 does not disappear, there is a permanent fault. In this case the authorized service should be contacted.

7. DETERGENT

You can use powder, liquid/gel or tablet detergents in the machine.



Only use in the machine the detergents produced particularly for use with dishwashers. We recommend you not to use detergents that contain chlorine and phosphate as they are harmful for the environment.

7.1 ADDING DETERGENT



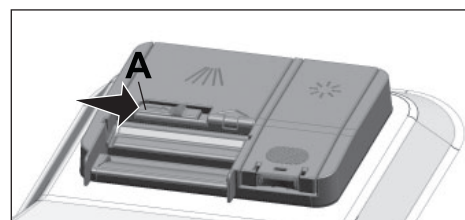
Pay attention to the warnings on the detergent packaging to get better washing and drying results. Contact the manufacturer of the detergent for further questions.



Do not put solvents into the detergent dispenser. There is the risk of explosion!

Put the detergent into the detergent dispenser just before operating the machine as illustrated below.

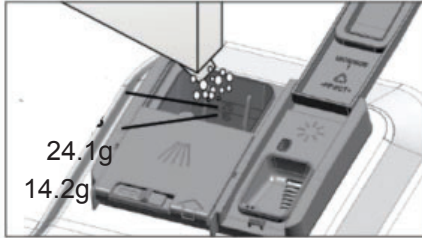
1. Push the latch to right to open the detergent dispenser lid (A).



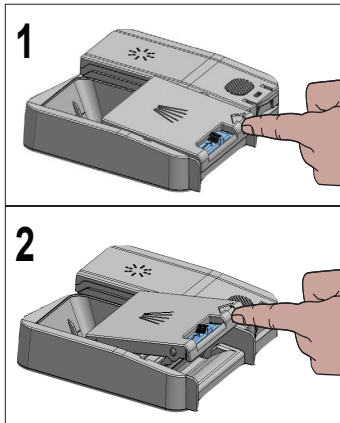
2. Put suggested amount of powder, liquid/gel or tablet detergent in the reservoir.



Inside the detergent dispenser there are level markings that help you use appropriate amount of powder detergent. When full, the detergent dispenser will contain 1.5 Ounces (42.5g) of detergent. Fill detergent up to .5 Ounces (14.2g) or .85 ounces (24.1g) level marks in the detergent dispenser according to fullness of the machine and/or soiling degree of the dishes. One tablet is enough if you are using detergent tablets.



3. Push the lid of the detergent dispenser to close it. A "click" will be heard when the lid is closed.



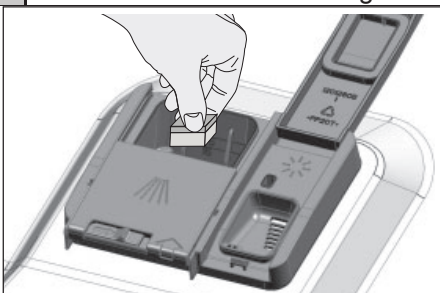
Use powder or liquid/gel detergent in short programs without prewash since the solubility of the tablet detergent changes depending on the temperature and time.

7.2 TABLET DETERGENTS

In addition to the conventional tablet detergents, there are also commercially available detergent tablets that show water softening salt and/or rinse aid effect. Some types of these detergents contain special-purpose components such as glass and stainless steel protectors. These tablets show their effects up to a certain water hardness level (59 gpg). Water softening salt and rinse aid must also be used together with the detergent if the water hardness level is above the mentioned level.



The best washing performance in dishwashers is obtained by using detergent, rinse aid and water softening salt individually.



Observe the instructions of the detergent manufacturer on the package when using tablet detergents.



Contact the detergent manufacturer if your dishes are wet and/or if you notice limescale spots particularly on your glasses after the washing program is over when using a tablet detergent.

When you switch to powder detergent from tablet detergent:

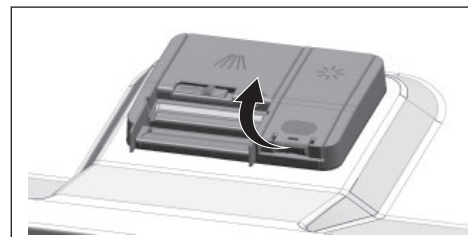
1. Make sure that salt (Select Models) and rinse aid reservoirs are full.
2. Set the water hardness to the highest level and perform an empty run.
3. After the empty washing cycle, review the user manual and readjust the water hardness level so as to suit the water supply.
4. Make the appropriate rinse aid settings.

7.3 RINSE AID

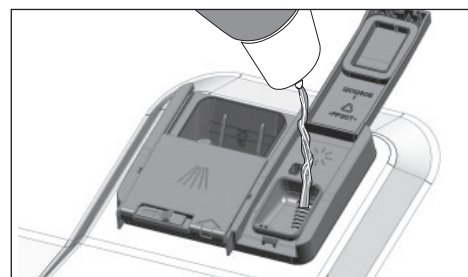


The rinse aid used in dishwashers is a special combination that aims to increase drying efficiency and prevent water or lime stains on the washed items. For this reason, care must be paid to have rinse aid in the rinse aid reservoir and to use rinse aids produced specially for dishwashers only.

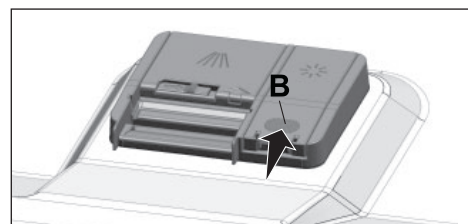
1. Open the lid of the rinse aid reservoir with the help of the latch.



2. Fill the reservoir until "MAX" level.



3. Slightly press the point (B) of the reservoir lid to close it.



4. If there are stains on dishware items after washing, level must be increased and if there is a blue trace after wiping them by hand, it must be decreased. This is set to position 3 as factory default.



The rinse aid adjustment is described under "Adjusting the amount of rinse aid" in the section for operating the machine.



Wipe clean any spilled rinse aid outside the reservoir. Rinse aid that spilled accidentally will cause foaming and it will eventually decrease washing performance.

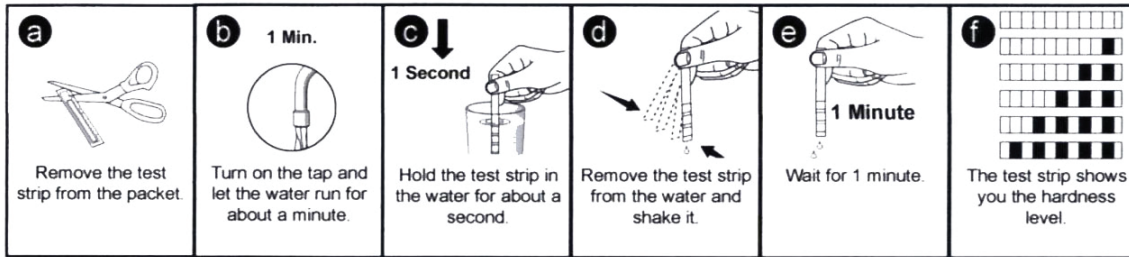
8. ADJUSTING THE WATER SOFTENING SYSTEM

(Select Models)

Cleaning, rinsing and drying performance of your dishwasher will increase when water softening system is adjusted properly.

Adjust the new water hardness level according to the Water hardness level instruction in this booklet.

Use the test strip supplied with the product according to the steps given below to determine hardness level of your supply water.



After determining hardness level of the supply water:

1. Switch on your machine, press and hold the Menu key
2. Press the settings menu key for 3 seconds to enter the Settings Menu.
3. Using <- and +> keys, proceed until the water hardness setting indicator becomes on ("r" position will be displayed).
4. Using the Selection key, adjust water hardness level according to the hardness of the supply water. For correct setting please see "Water hardness level setting table".
5. Press the Menu key to exit the settings menu. Your setting will be saved automatically.

Water hardness level adjustment table

Hardness Level	Grains Per Gallon (gpg)	French Water Hardness °dF	Water Hardness Level Indicator
Level 0 	0-14	0-8	Press the Selection key to switch the water hardness level to position 1. (r1)
Level 1 	15-22	9-13	
Level 2 	23-37	14-22	Press the Selection key to switch the water hardness level to position 2. (r2)
Level 3 	38-46	23-27	Press the Selection key to switch the water hardness level to position 3. (r3)
Level 4 	47-58	28-34	Press the Selection key to switch the water hardness level to position 4. (r4)
Level 5 	59-154	35-90	Press the Selection key to switch the water hardness level to position 5. (r5)

If the hardness level of the supply water is above 154 gpg (grains per gallon) or if you are using well water, then it is recommended to use water purification devices and special filters.

If the hardness level of the supply water is below 22 gpg, there is no need to use salt in your dishwasher. If this is the case, "No Salt Warning Indicator" (if any) illuminates continuously on the panel of your machine.

If the water hardness level adjustment is set to level 1, the "No salt warning indicator" will illuminate continuously although it is not necessary to use salt. If you use salt under this condition, salt will not be consumed and the Salt indicator will not illuminate.



If you move your dishwasher to another house, it is necessary to readjust water hardness level of your machine by considering the information given above according to the hardness level of the supply water in your new location. Your machine will display the most recently adjusted water hardness level.

9. FILLING THE DISHWASHER SALT DISPENSER (Select Models)

Water softening system needs to be regenerated in order for the unit to operate with the same performance continuously. Dishwasher salt is used for this purpose.



Use only special softening salts produced particularly for the dishwashers in your machine.



It is recommended to use granule or powder softening salts in the water softening system. Do not use salts that do not completely dissolve in water such as table salt or rock salt. Otherwise the performance of the system may deteriorate in time.

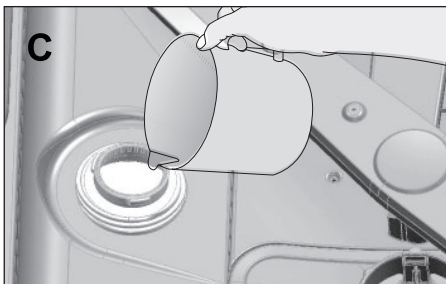


Salt reservoir will be filled with water when you start the product. For this reason, add salt before operating the machine.

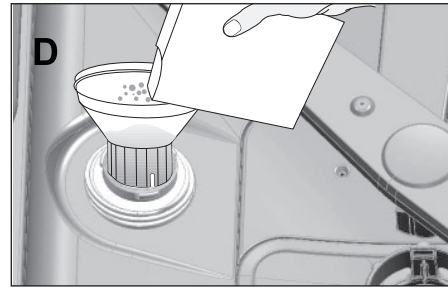
1. Take the lower basket out to add softening salt.
2. Turn the salt reservoir lid counter-clockwise to open it (A, B).



3. Add 4 cups of water to salt reservoir of your machine only in initial use (C).



4. Fill the salt reservoir with salt by using the salt funnel (D). To speed up dissolution rate of salt in water, stir it with a spoon.



You can put about 4.4 Pounds of softening salt into the salt reservoir.

5. Replace the lid and tighten it when the reservoir is full.



You need to add salt right before starting the machine. Thus, the overflowing salty water will be flushed immediately, preventing the risk of corrosion in machine. In cases where you would not start washing immediately, run your machine empty in the shortest program.



Since different salt brands in the market have different particle sizes and since the water hardness may vary, dissolution of the salt in water may take a couple of hours. Therefore, Salt Indicator remains on for a while after adding salt into the machine.

10. CARE AND MAINTENANCE



WARNING: Before cleaning or carrying out maintenance, switch off the appliance, disconnect the power supply and turn off the water tap.



WARNING: Do not repair or replace any part of the dishwasher or attempt any servicing unless specifically recommended by this manual. We recommend that the dishwasher only be repaired by an authorized service agent.



CAUTION : To avoid the possibility of slipping, keep the floor around the dishwasher clean and dry.
Keep your appliance free from the accumulation of combustible materials, such as lint, rags, and chemicals.
If the dishwasher is not in use for an extended period of time, we recommend you check that the baskets are empty, leave the inside of the dishwasher clean, the door cracked open to allow air to circulate, turn off both the power and water supply to the dishwasher.

10.1 CARING FOR YOUR DISHWASHER EXTERIOR



CAUTION :Possible dishwasher damage: Abrasive cleaners, scouring pads, abrasive cloths (paper towels) can damage the dishwasher decorative door.

Cleaning the control panel: Use only soft cloth that is lightly dampened with mild detergent. Clean the control panel only with a moist cloth and clear water.

Cleaning the colored doors: Use only soft cloth that is lightly dampened with mild detergent.

Cleaning the stainless steel doors: Use a soft cloth with a cleaner made for cleaning stainless steel. For the best results, apply the stainless steel cleaner to a soft cloth and wipe the surface in the direction of the grain.

Cleaning the door gasket: Regularly clean the door gasket with a damp cloth to remove food particles and other debris. Use a gentle household cleaner for the outside and the door seals, and rinse thoroughly.

10.2 CARING FOR YOUR DISHWASHER INTERIOR



NOTICE: Cleaning your dishwasher at regular intervals ensures longer product life and reduces the risk of recurring problems. Always disconnect the power to machine before cleaning.

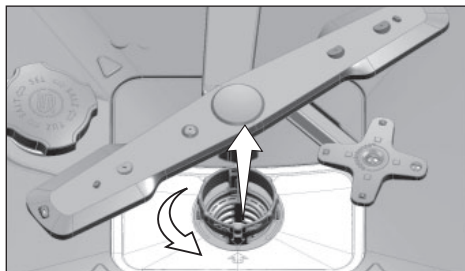


CAUTION :When cleaning the underside of the main filter, care must be taken on the sharp outer edge to avoid the risk of cut type injuries.

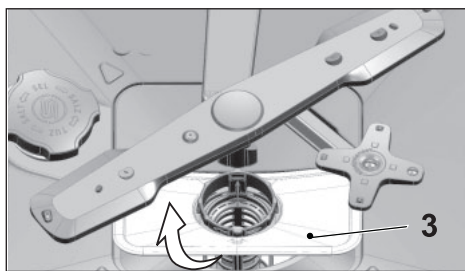
10.3 CLEANING THE FILTERS

Clean the filters at least once a week in order for the machine operate efficiently. Check if food residues are left on the filters. If there are food residues on filters, take them out and clean well under running water.

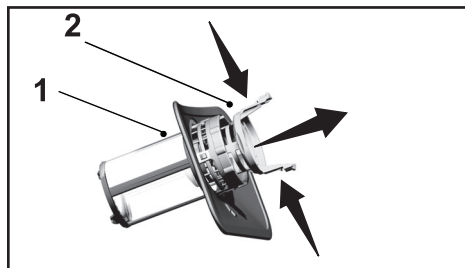
1. Turn the micro filter (1) and coarse filter (2) assembly counterclockwise and pull upwards.



2. Pull out the metal / plastic filter (3).



3. Press the two tabs on the coarse filter inwards and separate the coarse filter from the assembly.



4. Clean all three filters under tap water by means of a brush.
5. Replace the metal/plastic filter.
6. Place the coarse filter into the microfilter. Make sure that it is properly seated. Turn the coarse filter clockwise until a “click” sound is heard.



Do not use the dishwasher without filter.

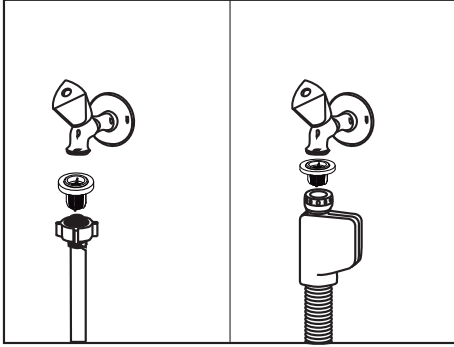


Incorrect placement of the filters will reduce washing efficiency.

10.4 CLEANING THE HOSE FILTER

Damages on the machine that may be caused by impurities coming from the water supply or your own water installation (such as sand, dirt, rust, etc.) can be prevented by means of the filter attached to the water inlet hose. Check the filter and the hose regularly and clean them if necessary.

1. Turn off the tap and remove the hose.
2. Remove the filter and clean under running tap water.
3. Place the cleaned filter back into its seat in the hose.
4. Install the hose to tap.

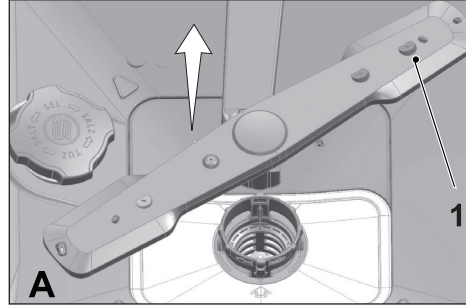


10.5 CLEANING THE WASH ARMS

Clean the wash arms at least once a week in order for the machine operates efficiently.

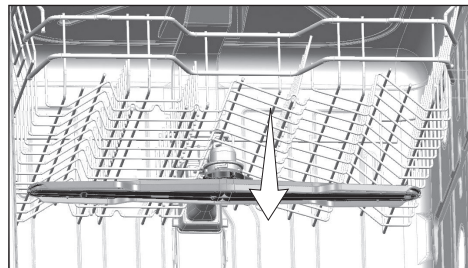
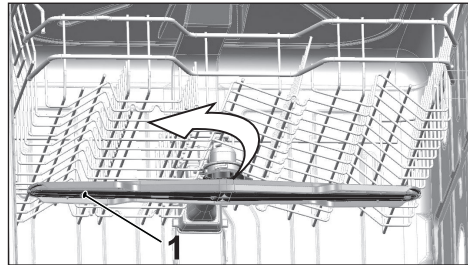
LOWER WASH ARMS

Check if the holes on the lower wash arms (1) are clogged. If they are clogged, remove and clean the impeller. Pull the lower wash arms up to remove it.



UPPER WASH ARMS

Check if the holes on the upper impeller (1) are clogged. If they are clogged, remove and clean the wash arms. Turn nut left to remove the upper wash arms. Make sure that the nut is tightened well when installing the upper wash arms.



1. TROUBLESHOOTING

Machine does not start.

- Power supply not connected. >>> Check the main power supply.
- Circuit Breaker is blown. >>> Check the Circuit Breaker in your house.
- Water is not entering machine. >>> Make sure that the water inlet tap is open.
- Door of the machine is open. >>> Make sure that you have closed the door of the machine.
- On / Off button is not pressed. >>> Make sure that you have turned on the machine by pressing the On / Off button.
- Start/Pause/Cancel key is flashing >>> Press before closing door. Close door immediately after pressing Start

Dishes are not washed clean

- Dishes are not placed orderly in the machine. >>> Load the dishes as described in the user manual.
- Selected program is unsuitable. >>> Select a program with a higher temperature and cycle time.
- Wash arms are stuck. >>> Prior to starting the program, turn the lower and upper Wash arms by hand to make sure that they rotate freely.
- Wash arms holes are clogged. >>> Lower and upper Wash arms holes might be clogged with small food particles and debris. Clean the Wash arms regularly as illustrated in section "Cleaning and Care".
- Filters are clogged. >>> Check if the filter system is clean. Clean the filter system regularly as illustrated in section "Cleaning and Care".
- Filters are installed incorrectly. >>> Check the filter system and make sure that it is installed correctly.
- Baskets are overloaded. >>> Do not overload the baskets in excess of their capacity.
- Detergent is stored under unsuitable conditions. >>> If you are using powder detergent, do not store the detergent package in humid places. Keep it in a closed container if possible. For ease of storing, we recommend tablet detergents.
- Detergent is not sufficient. >>> If you are using powder detergent, adjust the amount of detergent according to the soiling degree of your dishes and/or program definitions. We recommend tablet detergents for optimum results.
- Rinse aid is not sufficient. >>> Check the rinse aid indicator and add rinse aid if necessary. Increase the rinse aid setting if there is enough amount of rinse aid in the machine.
- Detergent dispenser lid is left open. >>> Make sure that the detergent dispenser lid is closed tightly after adding detergent.

Dishes are not dry at the end of cycle

- Dishes are not placed orderly in the machine. >>> Place your dishes in a way that no water will accumulate in them.
- Rinse aid is not sufficient. >>> Check the rinse aid indicator and add rinse aid if necessary. Increase the rinse aid setting if there is enough amount of rinse aid in the machine.
- Machine is unloaded right after the program is over. >>> Do not unload your machine right after washing process is completed. Slightly open the door and wait for steam to escape inside of unit. Unload the dishes after the pieces cool down to a touchable level. Start unloading process from the lower basket to prevent dropping of water from items in upper basket onto the items in lower basket.
- Selected program is unsuitable. >>> Since rinsing temperature is low at program with short duration, drying performance will also be low. Select program with longer duration for a better drying performance.
- Surface quality of the kitchen utensils is deteriorated. >>> Desired washing performance can not be obtained for kitchen utensils with deteriorated surfaces and it is not suitable to use such utensils in terms of hygiene as well. Also, water can not flow easily on deteriorated surfaces. It is not recommended to wash such kitchen utensils in dishwasher.



It is normal that drying complaints can be experienced with non-stick kitchen utensils. It is associated with the structure of non-stick. Since the surface tensions of non-stick and water are different, water droplets will remain as beads on the non-stick surface.

Stains remaining on dishes when cycle has completed.

- Selected program is unsuitable. >>> Select a program with a higher temperature and cycle time.
- Surface quality of the kitchen utensils is deteriorated. >>> Tea and coffee stains or other dye spots may not be cleaned in dishwasher when they have penetrated in deteriorated surfaces. Desired washing performance can not be obtained for kitchen utensils with deteriorated surfaces and it is not suitable to use such utensils in terms of hygiene as well. It is not recommended to wash such kitchen utensils in dishwasher.
- Detergent is stored under unsuitable conditions. >>> If you are using powder detergent, do not store the detergent package in humid places. Keep it in a closed container if possible. For ease of storing, we recommend tablet detergents.

Lime traces remain on dishes and glassware gains a misty appearance

- Rinse aid is not sufficient. >>> Check the rinse aid indicator and add rinse aid if necessary. Increase the rinse aid setting if there is enough amount of rinse aid in the machine.
- Water hardness setting is low or salt level is insufficient >>> Measure the hardness of the supply water appropriately and check the water hardness setting.
- Salt leakage exists. >>> Pay attention not to spill salt around the salt filling hole while adding salt. Make sure that the salt reservoir lid is tightly closed after finishing the filling process. Run the Rinse & Hold program to remove the salt that spilled inside the machine. Since the salt granules that will remain under the lid will dissolve during Rinse & Hold, causing the lid to loosen, check the lid once again at the end of the program.

There is a different odor in the machine



A new machine has a peculiar odor. It will fade out after a couple of washing.

- Filters are clogged. >>> Check if the filter system is clean. Clean the filter system regularly as illustrated in section “Cleaning and Care”.
- Dirty dishes are kept in dishwasher for 2-3 days. >>> If you are not going to start the machine right after you have put the dishes into it, remove the remnants on the dishes and run the Rinse & Hold program without detergent every 2 days. In such cases, do not close the door of the machine completely in order to avoid odor build up in machine. You can also use commercially available odor removers or machine cleaners.

Rust, discoloration or surface deterioration occurs on dishes

- Salt leakage exists. >>> Salt may cause deterioration and oxidation on metal surfaces. Pay attention not to spill salt around the salt filling hole while adding salt. Make sure that the salt reservoir lid is tightly closed after finishing the filling process. Run the Rinse & Hold program to remove the salt that spilled inside the machine. Since the salt granules that will remain under the lid will dissolve during Rinse & Hold, causing the lid loosen, check the lid once again at the end of the program.
- Salty food remnants have remained on dishes for a long time. >>> If silverware soiled with such foods will be kept waiting in machine, food particles must be removed by prewash or dishes must be washed without being kept waiting.
- Electric installation is not grounded. >>> Check if your machine is connected to the actual grounding line. Otherwise, the static electric created in the product causes arcs on the surfaces of metal items creating pores, removing the protective cover on the surface and causing discoloration.
- Intensive cleansers such as bleaches are used. >>> Protective cover on metal surfaces gets damaged and loses its efficiency in time when it comes in contact with cleansers such as bleach. Do not wash your dishes with bleach.
- Metal items particularly such as knives are used for purposes other than their intended uses. >>> Protective cover on the edges of knives may get damaged when they are used for purposes such as opening cans. Do not use metal kitchen utensils out of their intended uses.
- Silverware are made of low quality stainless steel. >>> Corrosion on such items is inevitable; they should not be washed in dishwashers.
- Kitchen utensils that are already corroded are washed in dishwasher. >>> Rust on a corroded item can migrate to other stainless steel surfaces and cause corrosion on those surfaces as well. Such items should not be washed in dishwashers.

Detergent remains in detergent dispenser.

- Detergent dispenser was damp when adding detergent. >>> Make sure that the detergent dispenser is dried well prior to filling it with detergent.
- Detergent is added long before the washing process. >>> Pay attention to add detergent shortly before start-up of the washing.
- Opening of the detergent dispenser lid is prevented during washing. >>> Place the dishes in a way that will not prevent the detergent dispenser lid from opening and the water going into the machine from impellers.
- Detergent is stored under unsuitable conditions. >>> If you are using powder detergent, do not store the detergent package in humid places. Keep it in a closed container if possible. For ease of storing, we recommend you to use tablet detergents.
- Wash Arm holes are clogged. >>> Lower and upper Wash Arm holes might be clogged with food remnants. Clean the Wash Arm regularly as illustrated in section “Cleaning and Care”.

Decorations and ornaments on kitchen utensils are being erased.



Decorated glasses and decorated luster porcelains are not suitable for washing in the dishwasher. Manufacturers of glassware and porcelain tableware items do not recommend washing such kitchen utensils in the dishwashers either.

Dishes are scratched.



Kitchen utensils that contains or are made of aluminum should not be washed in dishwasher.

- Salt leakage exists. >>> Pay attention not to spill salt around the salt filling hole while adding salt. Spilled salt can cause scratches. Make sure that the salt reservoir lid is tightly closed after finishing the filling process. Run the Rinse & Hold program to remove the salt that spilled inside the machine. Since the salt granules that will remain under the lid will dissolve during Rinse & Hold, causing the lid to loosen, check the lid once again at the end of the program.
- Water hardness setting is low or salt level is insufficient >>> Measure the hardness of the supply water appropriately and check the water hardness setting.
- Dishes are not placed orderly in the machine. >>> When placing the glasses and other glassware into the basket lean them not against other dishes but the edges or racks of the basket or the glass support wire. Striking of the glasses to each other or to other dishes due to the impact of water during washing can cause breaks, or scratches on their surfaces.

A smear remains on glasses that resembles milk stain which can not be removed when wiped by hand. A bluish / rainbow appearance occurs when the glass is pointed to light.

- Excessive rinse aid is used. >>> Lower rinse aid setting. Clean the spilled rinse aid when adding rinse aid.
- Corrosion has occurred on glass due to soft water. >>> Measure the hardness of the supply water appropriately and check the water hardness setting. If your supply water is soft (<15 gpg), do not use salt. Choose programs that wash in higher temperatures (140-149 degrees Fahrenheit). You can also use glass protective detergents that are commercially available.

Foam forms in the machine.

- Dishes are washed with hand-wash detergent by hand but not rinsed before placing them into the machine. >>> Hand-wash detergents do not contain antifoam. There is no need to hand-wash the dishes before placing them into the machine. Remove heavy soil on the dishes under tap water, with a sponge or towel.
- Rinse aid has spilled into the machine when adding rinse aid. >>> Take care that rinse aid is not spilled in the machine when you are filling it. Clean any spilled rinse aid with the help of a tissue paper/towel.
- Lid of the rinse aid reservoir is left open. >>> Make sure that the lid of the rinse aid reservoir is closed after adding rinse aid.

Kitchen utensils are broken.

- Dishes are not placed orderly in the machine. >>> Load the dishes as described in the user manual.
- Baskets are overloaded. >>> Do not overload the baskets in excess of their capacity.

Water remains in the dishwasher at the end of the program.

- Filters are clogged. >>> Check if the filter system is clean. Clean the filter system regularly as illustrated in section "Cleaning and Care".
- Discharge hose is clogged/blocked. >>> Check the discharge hose. If necessary, remove the discharge hose, clear the blockage and insert is as illustrated in the user manual.



If you cannot eliminate the problem although you follow the instructions in this section, consult your dealer or the Authorized Service Agent. Never try to repair a nonfunctional product yourself.

12. TECHNICAL FEATURES

Load capacity	
Permissible water pressure	4.35 - 145 psi (0.3 - 10 bars)
Electrical connection	120 V (volts), 12 A (amps), 60Hz (hertz)
Total power	1400 W (watts)
Heater power	1100 W (watts)



NOTICE: Because we continually strive to improve our products, we may change our specifications and design without prior notice.

This device corresponds to the following directives:
UL 749 Household Dishwasher directive.

SERVICE INFORMATION

If service is required, call your authorized service agency.

Have the following information readily available.

- Model number
- Serial number
- Date purchased
- Name of dealer from whom purchased

Clearly describe the problem that you are having. If you are unable to obtain the name of an authorized service agency, or if you continue to have service problems, contact Viking Range, LLC at 1-888-845-4641, or write to:

VIKING RANGE, LLC
PREFERRED SERVICE
111 Front Street
Greenwood, Mississippi 38930 USA

Record the information indicated below. You will need it if service is ever required. The model and serial numbers are located on an identification label attached to the left side of the tank. For access, simply open the door of the dishwasher.

Model no. _____ Serial no. _____

Date of purchase _____ Date installed _____

Dealer's name _____

Address _____

If service requires installation of parts, use only authorized parts to insure protection under the warranty.

Keep this manual for future reference.

**BUILT-IN DISHWASHERS WARRANTY
TWO YEAR FULL WARRANTY**

Built-in dishwashers and all of their component parts, except as detailed below*, are warranted to be free from defective materials or workmanship in normal residential use for a period of two (2) years from the date of original retail purchase. Viking Range, LLC, warrantor, agrees to repair or replace, at its option, any part which fails or is found to be defective during the warranty period.

***90 DAY COSMETIC WARRANTY:** Product is warranted to be free from cosmetic defects in materials or workmanship (such as scratches on stainless steel, paint/porcelain blemishes, etc.) for a period of ninety (90) days from the date of original retail purchase or closing date for new construction, whichever period is longer. Any defects must be reported to the selling dealer within ninety (90) days from date of original retail purchase. Viking Range, LLC uses high quality processes and materials available to produce all color finishes. However, slight color variation may be noticed because of the inherent differences in painted parts and porcelain parts as well as differences in kitchen lighting, product locations, and other factors. Therefore, this warranty does not apply to color variation attributable to such factors.

***90 Day Residential Plus:** Viking products are designed and certified for residential use only. They are not intended for use in commercial applications. Viking products should only be used in accordance to national and local codes. Viking is not responsible for property damage or injury resulting from use in a commercial application. To support the manufacturing quality of its appliance's Viking will provide a full 90 day warranty for products used in "Residential Plus" applications. This "Residential Plus" warranty applies to applications where use of the product extends beyond residential use but is in compliance with national and local code. In some jurisdictions these applications are zoned as residential. Examples of, but not limited to, such applications covered by this warranty are bed and breakfasts, fire stations, private clubs, churches, condominium/apartment common areas etc. Under this "Residential Plus" warranty, the product, its components and accessories are warranted to be free from defective material or workmanship for a period of ninety (90) days from the date of original retail purchase. Viking Range, LLC, warrantor, agrees to repair or replace, at its option, any part which fails or is found to be defective during the warranty period. This warranty covers parts and labor. This warranty excludes use of the product in all commercial locations such as restaurants, food service locations and institutional food service locations.

FIVE YEAR LIMITED WARRANTY ON NYLON RACKS, ELECTRONIC CONTROLS, MOTOR/PUMP ASSEMBLY, AND WATER DISTRIBUTION SYSTEM COMPONENTS

Any upper and/or lower nylon rack which rusts through due to defective materials or workmanship and any electronic controls which fail due to defective materials or workmanship in normal household use during the third through fifth year from the date of original retail purchase will be repaired or replaced, free of charge for the part itself, with the owner paying all other costs, including labor. Any motor/pump assembly or water distribution system component as listed below which fails due to defective materials or workmanship in normal household use during the fourth through fifth year from the date of original retail purchase will be repaired or replaced, free of charge for the part itself, with the owner paying all other costs, including labor.

Motor/Pump and Water Distribution System Components:

Circulation motor/pump	Tube to upper wash arm
Lower wash arm	Fill valve
Drain motor/pump	Upper wash arm
Diverter	

LIFETIME LIMITED WARRANTY ON STAINLESS STEEL TANK AND LINER

Any stainless steel tank or inner door liner which develops a water leak due to defective materials or workmanship in normal household use during the lifetime of the product will be repaired or replaced, free of charge for the part itself, with the owner paying all other costs, including labor. This warranty excludes surface corrosion or rust, scratches, discoloration, water or atmospheric conditions, or cleaning practices which are part of normal residential use.

WARRANTY TERMS

This warranty extends to the original retail purchaser of the product warranted hereunder and to each transferee owner of the product during the term of the original purchaser's warranty. The warranty is transferable by the original retail purchaser via home sale only. If a transferee owner is unable to provide proof of purchase from the original purchaser and the product has not been previously registered, the production date of the product, located in the serial number on the product, will serve as the effective warranty start date. The activation date of the warranty begins from the date of original retail purchase. In the case of new product purchase via building development sales, activation begins from the earlier date of either certificate of occupancy or 24 months from date of manufacture. Note date of manufacture is identified by serial tag on product.

This warranty does not cover units purchased as b-stock, liquidation, salvage, seconds, refurbished, as-is, used products. This warranty shall apply to products purchased in the United States and Canada. Products must be purchased in the country where service is requested. Warranty service must be performed by a Viking Range LLC authorized service agency or representative. Warranty shall not apply to damage resulting from abuse, accident, natural disaster, loss of electrical power to the product for any reason, alteration, improper installation, improper operation, or repair service of the product by anyone other than a Viking Range LLC authorized service agency or representative. This warranty does not apply to commercial usage. Warrantor is not responsible for consequential or incidental damage whether arising out of breach of warranty, breach of contract or otherwise. Some jurisdictions do not allow the exclusion or limitation of incidental or consequential damages, so the above limitations do not apply to you.

Owner shall be responsible for proper installation, providing normal care and maintenance, providing proof of purchase upon request, and making the product reasonably accessible for service. If the product or one of its component parts contains a defect or malfunction during the warranty period, after a reasonable number of attempts by the warrantor to remedy the defects or malfunctions, the owner is entitled to either a refund or replacement, at the warrantor's discretion of the product or its component part or parts. Warrantor's liability on any claim of any kind, with respect to the goods or services covered hereunder, shall in no case exceed the price of the goods or service or part thereof which gives rise to the claim.

WARRANTY SERVICE

Under the terms of this warranty, service must be performed by a Viking Range LLC authorized service agent or representative. Service will be provided during normal business hours. Labor performed at overtime or premium rates shall not be covered by the warranty. To obtain warranty service contact Viking Range LLC Customer Care at 1-888-845-4641. Please have model number, serial number, and date of original purchase available when calling. IMPORTANT: retain proof of original purchase to establish warranty period. The return of the owner registration card is not a condition of warranty coverage. You should, however, return the owner registration card so Viking Range LLC can contact you should any question of safety arise which could affect you. Any implied warranties of merchantability and fitness applicable to the above described burner assemblies, infrared rotisserie burners, grill grates, and stainless steel parts are limited in duration to the period of coverage of the applicable express written limited warranties set forth above. Some jurisdictions do not allow limitations on how long an implied warranty lasts, so the above limitations may not apply to you. This warranty gives you specific legal rights, and you may also have other rights which may vary from jurisdiction to jurisdiction.

Specifications subject to change without notice

Viking Range, LLC
111 Front Street
Greenwood, Mississippi 38930
(662)455-1200

For more product information call 1-888-845-4641
or visit our website at vikingrange.com

MANUEL

d'utilisation et d'entretien



SÉRIES 3 ET 5

VDWU524SS
VDWU524WSSS
FDWU524WS
FDWU524
VDWU324SS
FDWU324

Pour éviter les accidents susceptibles de provoquer des blessures graves, voire mortelles, ainsi que des dommages matériels, veuillez lire ces instructions avant installation ou utilisation.

INTRODUCTION

Veuillez lire complètement et attentivement ce manuel d'utilisation et notamment les consignes de sécurité. Ils vous feront gagner du temps, vous épargneront des efforts et vous aideront à optimiser les performances du lave-vaisselle.



TABLE DES MATIÈRES

1. CONSIGNES DE SÉCURITÉ IMPORTANTES	1
2. RÉCYCLAGE	4
3. DÉCOUVERTE DE VOTRE LAVE-VAISSELLE	5
4. CHARGEMENT DU LAVE-VAISSELLE	6
4.1 SUPPORT SUPÉRIEUR	8
4.2 SUPPORT INFÉRIEUR	9
4.3 CHARGEMENT CORRECT ET INCORRECT DE LA VAISSELLE	11
5. CE QUI NE DOIT PAS ÊTRE LAVÉ AU LAVE-VAISSELLE	12
UTILISATION DU PRODUIT	12
TOUCHE DE SÉLECTION DE PROGRAMME/DE PROGRAMME SÉRIE 5	13
TOUCHES DE FONCTION	13
PRÉPARATION DE LA MACHINE	13
SÉLECTION DE PROGRAMME	13
TOUCHE DE SÉLECTION DE PROGRAMME/DE PROGRAMME SÉRIE 3	14
TOUCHES DE FONCTION	15
PRÉPARATION DE LA MACHINE	15
SÉLECTION DE PROGRAMME	15
6.4 FONCTIONS AUXILIAIRES	19
6.5 PLANIFICATION DE L'HEURE DE LAVAGE	20
6.6 LANCEMENT DE PROGRAMME	20
6.7 ANNULATION DE PROGRAMME	21
6.8 VOYANT DE SEL ()	21
6.9 VOYANT DE PRODUIT DE RINÇAGE ()	21
6.10 FIN DE PROGRAMME	21
6.11 AVERTISSEMENT DE COUPURE D'EAU	21
6.12 AVERTISSEMENT DE DÉBORDEMENT	21
7. DÉTERGENT	22
7.1 AJOUT DE DÉTERGENT	22
7.2 DÉTERGENTS EN TABLETTES	22
7.3 PRODUIT DE RINÇAGE	22
8. RÉGLAGE DU SYSTÈME D'ADOUCCISSEMENT DE L'EAU	23
9. REMPLISSAGE DU DISTRIBUTEUR DE SEL DE LAVE-VAISSELLE	24
10. ENTRETIEN ET MAINTENANCE	24
10.1 ENTRETIEN DE L'EXTÉRIEUR DE VOTRE LAVE-VAISSELLE	25
10.2 ENTRETIEN DE L'INTÉRIEUR DE VOTRE LAVE-VAISSELLE	25
10.3 NETTOYAGE DES FILTRES	25
10.4 NETTOYAGE DU FILTRE DE TUYAU	26
10.5 NETTOYAGE DES BRAS DE LAVAGE	26
11. DÉPANNAGE	27
12. CARACTÉRISTIQUES TECHNIQUES	29
INFORMATIONS SUR L'ENTRETIEN	30
GARANTIE	31

Assurez-vous de respecter tous les avertissements et mises en garde énumérés. Recherchez particulièrement les icônes avec des points d'exclamation à l'intérieur. L'icône d'information fournira également des références importantes.

	AVERTISSEMENT : Indique une situation potentiellement dangereuse qui, si elle n'est pas évitée, pourrait entraîner la mort ou des blessures graves.
	MISE EN GARDE : Indique une situation potentiellement dangereuse qui, si elle n'est pas évitée, peut entraîner des blessures. Cette indication peut également être utilisée pour alerter contre des pratiques dangereuses.
	REMARQUE : Indique une situation potentiellement dangereuse qui, si elle n'est pas évitée, peut endommager le lave-vaisselle, la vaisselle, l'équipement ou l'environnement.


1. CONSIGNES DE SÉCURITÉ IMPORTANTES

	AVERTISSEMENT : Lorsque vous utilisez le lave-vaisselle, prenez les précautions de base, y compris ce qui suit : Lisez toutes les instructions avant d'utiliser le lave-vaisselle! Conservez cette notice d'utilisation et transmettez-la à tout futur utilisateur.
	« Cet appareil est conforme à la Section 15 du règlement du FCC. Son utilisation est soumise aux deux conditions suivantes : (1) cet appareil ne doit pas causer d'interférences nuisibles, et (2) cet appareil doit accepter toute interférence reçue, y compris les interférences susceptibles de provoquer un fonctionnement indésirable. » « Aucune modification ne doit être apportée à l'équipement sans l'autorisation du fabricant, car cela pourrait annuler la garantie »


- N'utilisez le lave-vaisselle que pour l'usage prévu décrit dans ce manuel d'utilisation. Cet appareil est destiné uniquement à un usage domestique normal.
- **Le fabricant décline toute responsabilité en cas de dommages ou de blessures causés par une utilisation inappropriée de cet appareil.**
- Les informations contenues dans ce manuel d'utilisation doivent être respectées afin de réduire au minimum les risques d'incendie ou d'explosion et de prévenir les dommages matériels, les blessures corporelles ou le décès.
- N'utilisez pas votre lave-vaisselle sauf si tous les panneaux du cadre sont correctement installés.
- Ne modifiez pas les commandes.
- N'utilisez pas la porte ou le support à vaisselle du lave-vaisselle de façon abusive, ne vous asseyez pas dessus, ne les bloquez pas et ne montez pas dessus.
- Les supports à tasses sont conçus pour accueillir des tasses, des verres et des ustensiles de cuisine. Lorsque les supports à tasses sont dans le lave-vaisselle, ne vous appuyez pas dessus. Votre poids corporel ne doit pas non plus reposer sur ces éléments.
- Pour réduire le risque de blessure, ne laissez pas les enfants jouer dans ou sur le lave-vaisselle, ou à proximité de celui-ci.
- N'utilisez que des détergents ou des produits de rinçage recommandés pour un lave-vaisselle à usage domestique et gardez-les dans un endroit sec, hors de portée des enfants. Vérifiez que le distributeur de détergent est vide après chaque programme de lavage.
- Les détergents pour lave-vaisselle contiennent des produits chimiques qui peuvent causer des nausées et peuvent être nocifs s'ils sont inhalés ou avalés. Soyez également prudent

lorsque vous ouvrez la porte en raison de la vapeur chaude générée lors du fonctionnement de l'appareil. Consultez immédiatement un médecin si le détergent a été avalé ou inhalé.

- Si vous n'avez pas utilisé l'eau chaude pendant plusieurs semaines, nous recommandons d'ouvrir les robinets d'eau chaude pour éliminer toute accumulation d'hydrogène gazeux.
- Ne stockez pas ou n'utilisez pas de liquides ou de vapeurs inflammables dans la zone du lave-vaisselle.
- Lorsque vous chargez de la vaisselle à laver, placez les objets pointus de sorte qu'ils ne risquent pas d'endommager le joint de la porte et chargez les couteaux tranchants avec le manche en haut afin de réduire le risque de blessures par coupure.
- Ne lavez pas les objets en plastique, sauf s'ils portent la mention « lavable au lave-vaisselle » ou une indication équivalente. Pour ceux qui ne portent pas de mention, vérifiez les recommandations du fabricant.
- En cas de dysfonctionnement, éteignez l'appareil et coupez l'arrivée d'eau vers le lave-vaisselle.
- N'essayez pas de porter le lave-vaisselle par vous-même afin d'éviter d'éventuelles blessures. Au moins deux personnes sont nécessaires pour déplacer un lave-vaisselle.
- Avant de nettoyer l'appareil ou d'en effectuer la maintenance, éteignez-le, débranchez la prise d'alimentation et coupez l'arrivée d'eau.
- Les réparations et modifications techniques doivent être effectuées exclusivement par un technicien agréé.
- Si vous n'utilisez pas le lave-vaisselle pendant une longue période (par ex., dans une maison de vacances), nous recommandons de retirer tous les éléments du lave-vaisselle, de laisser la porte ouverte pour permettre à l'air de circuler et de couper l'alimentation électrique et l'arrivée d'eau vers le lave-vaisselle.
- Cet appareil est livré avec un cordon d'alimentation trifilaire NEMA 5-15P 15 A. Il doit être branché à une prise murale mise à la terre et polarisée qui a été installée et testée par un électricien agréé et qui est conforme à tous les codes électriques locaux, provinciaux et fédéraux.

	AVERTISSEMENT : Une mauvaise connexion du conducteur de mise à la terre de l'équipement peut entraîner un risque d'électrocution. Consultez un agent de maintenance ou un électricien qualifié si vous avez des doutes quant à la mise à la terre de l'appareil. Ne modifiez pas la fiche fournie avec l'appareil. Si elle ne rentre pas dans la prise électrique, faites-en installer une adéquate par un électricien qualifié.
---	---

- Cet appareil produit de l'ozone dans le compartiment de lavage pendant le fonctionnement normal. Une exposition à long terme à l'ozone ou une exposition à des concentrations élevées peuvent entraîner des troubles respiratoires, en particulier chez les personnes âgées et les enfants.
- Les enfants ne doivent pas utiliser cette machine sans la surveillance d'un adulte.
- Veillez à ne pas laisser la porte complètement ouverte lorsque vous ne chargez ou ne déchargez pas le lave-vaisselle afin d'éviter que quelqu'un trébuche sur l'appareil.

	AVERTISSEMENT : Si votre lave-vaisselle est équipé d'un éclairage interne et si la lampe venait à ne plus fonctionner, celle-ci ne doit être remplacée que par l'agent de maintenance agréé.
---	---



AVERTISSEMENT : Ce produit peut vous exposer à des produits chimiques, y compris au nickel (métallisé) qui est reconnu comme agent cancérigène dans l'État de Californie.

Pour plus d'informations, rendez vous sur le site www.P65Warnings.ca.gov

Remarque : Tous les composants en acier inoxydable et d'autres composants métalliques contiennent du nickel.

CONSERVEZ CETTE NOTICE

- La maintenance doit être effectuée par un installateur qualifié. Les interventions effectuées par des personnes non qualifiées peuvent être dangereuses et annuler la garantie.
- N'utilisez pas l'appareil s'il est endommagé, s'il présente un dysfonctionnement, s'il est partiellement démonté ou si des pièces sont manquantes ou cassées.
- Avant l'installation ou une opération de maintenance, coupez l'alimentation électrique de la zone de travail en débranchant l'unité, en « déclenchant » le disjoncteur ou en retirant le fusible.
- Pour des raisons de sécurité, vous devez fixer le lave-vaisselle à la menuiserie adjacente à l'aide des supports fournis, sinon, le mobilier risque d'être endommagé ou vous ou d'autres personnes risquez de vous blesser.
- N'utilisez pas de rallonge ou de dispositif de sortie portable pour brancher le lave-vaisselle à une source d'alimentation.

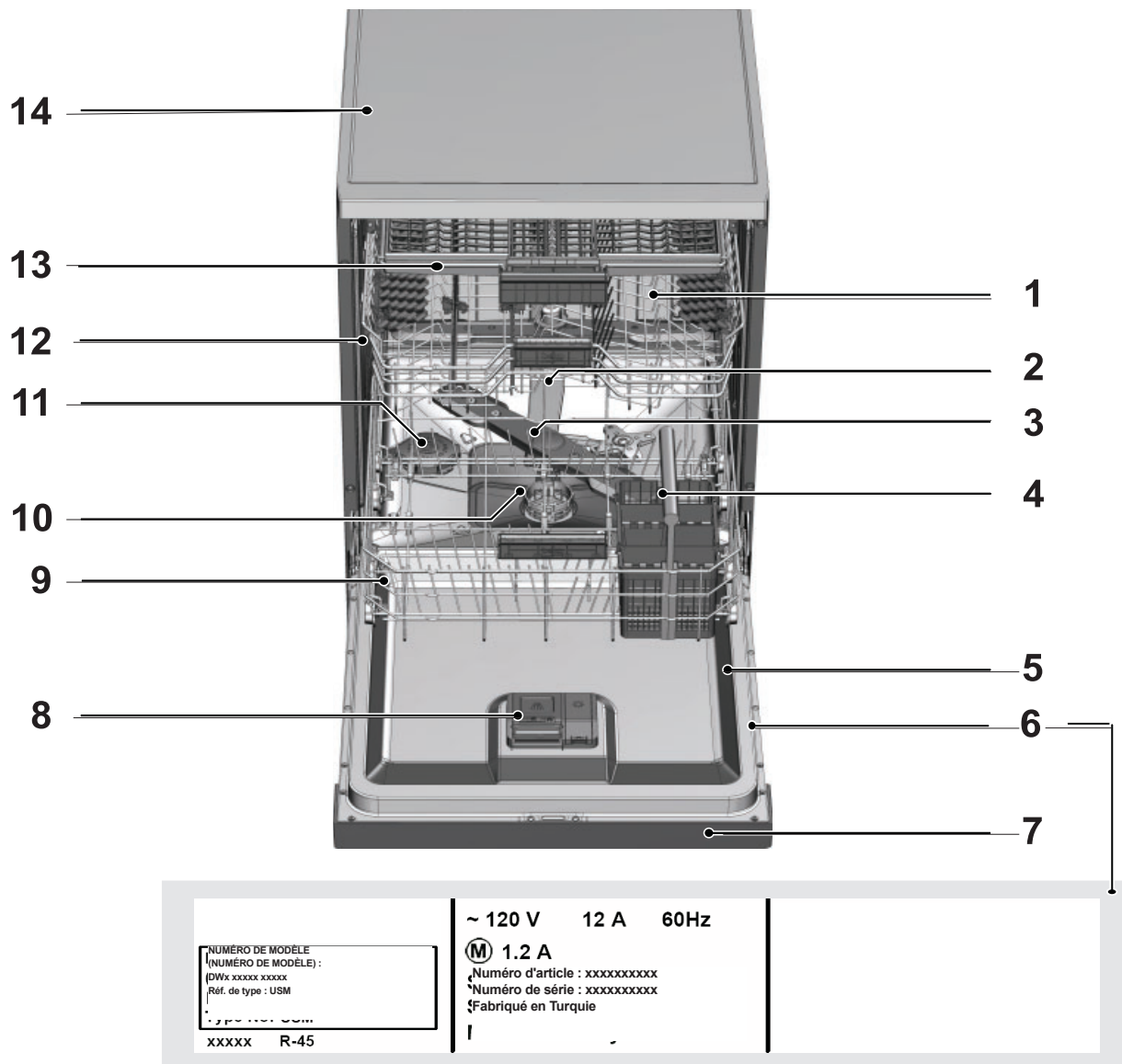
2. RECYCLAGE

- Retirez la porte du compartiment de lavage lorsque vous enlevez un ancien lave-vaisselle du service ou lorsque vous le jetez. Assurez-vous que l'appareil ne présente aucun danger pour les enfants lorsque vous l'entrez en vue de sa mise au rebut.
- Retirez le dispositif de verrouillage de la porte ou la porte du compartiment de lavage avant de jeter le lave-vaisselle, de sorte que les enfants ou les petits animaux ne puissent pas rester coincés à l'intérieur.
- Les vieux appareils peuvent contenir des matériaux recyclables. Veuillez contacter les autorités locales de recyclage pour en savoir plus sur la possibilité de recycler ces matériaux.
- Vérifiez régulièrement la conduite d'arrivée d'eau. Elle est susceptible de se rompre. Elle devient moins flexible au fil du temps. Remplacez-la immédiatement lorsqu'elle est déchirée, coupée, gonflée ou qu'elle présente une fuite d'eau.
- Mettez l'emballage du lave-vaisselle hors de la portée des enfants après avoir déballé l'appareil.

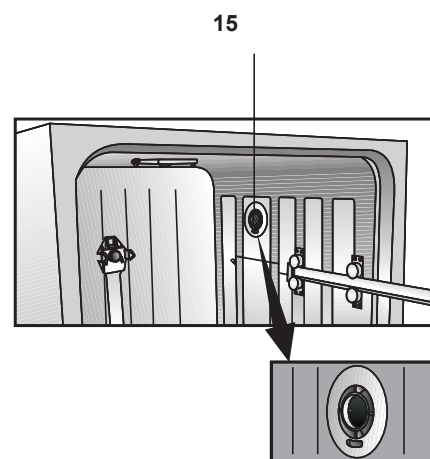


AVERTISSEMENT : Risque d'étouffement! Veillez à éliminer les emballages en plastique, les sachets, les petits objets, etc., en toute sécurité et à les tenir hors de la portée des enfants.

3. DÉCOUVERTE DE VOTRE LAVE-VAISSELLE



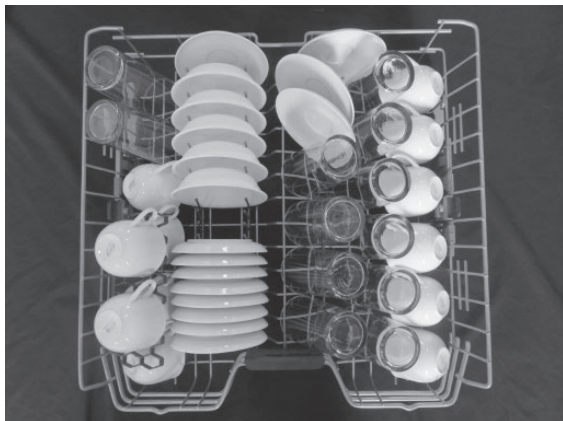
1. Panier supérieur
2. Hélice supérieure
3. Hélice inférieure
4. Panier à couverts amovible
5. Porte
6. Étiquette d'identification du modèle et de la série
7. Panneau de commande
8. Distributeur de détergent et d'agent de rinçage
9. Panier inférieur
10. Filtres
11. Réservoir à sel (sur certains modèles)
12. Rails du panier supérieur
13. Panier à couverts supérieur (sur certains modèles)
14. Plateau supérieur (sur certains modèles)
15. Système de séchage par turboventilateur à air chaud (sur certains modèles)



4. CHARGEMENT DU LAVE-VAISSELLE

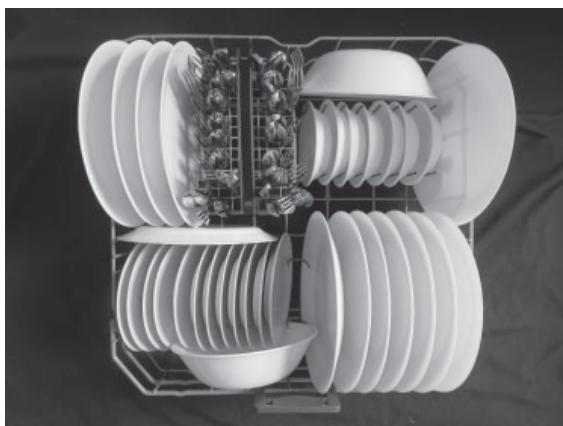
1. Tirez la poignée pour ouvrir la porte. Si la porte est ouverte pendant le fonctionnement du lave-vaisselle, celui-ci s'arrête. Une fois la porte fermée, le programme se poursuit.
2. Enlevez le gros des résidus de nourriture de la vaisselle.
3. Vous pouvez maintenant charger le lave-vaisselle.

Panier supérieur (méthode standard)



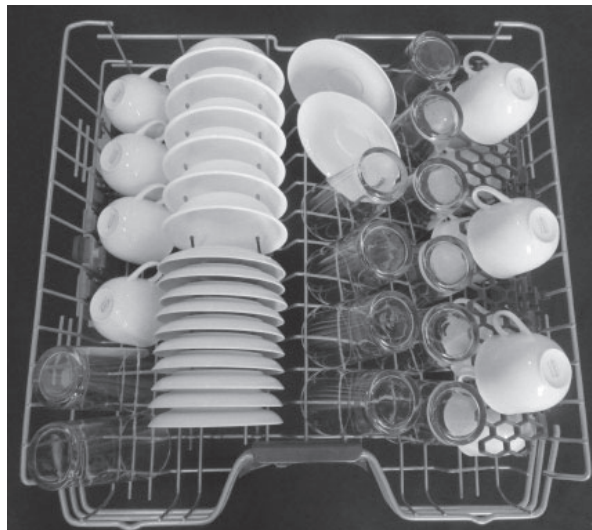
Méthode de chargement du support supérieur pour 12 couverts selon les normes AHAM DW-1

Support inférieur (méthode standard)

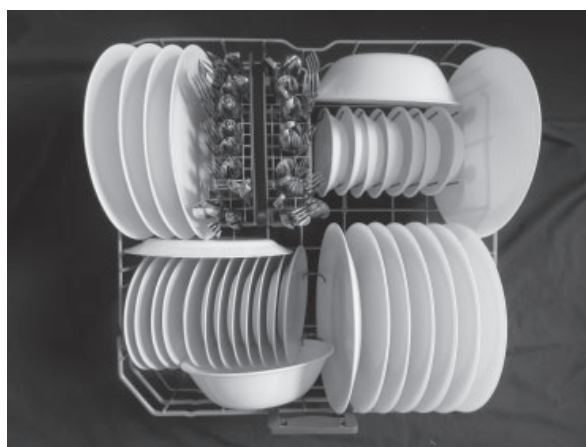


Méthode de chargement du support inférieur pour 12 couverts selon les normes AHAM DW-1

Support supérieur (méthode internationale)

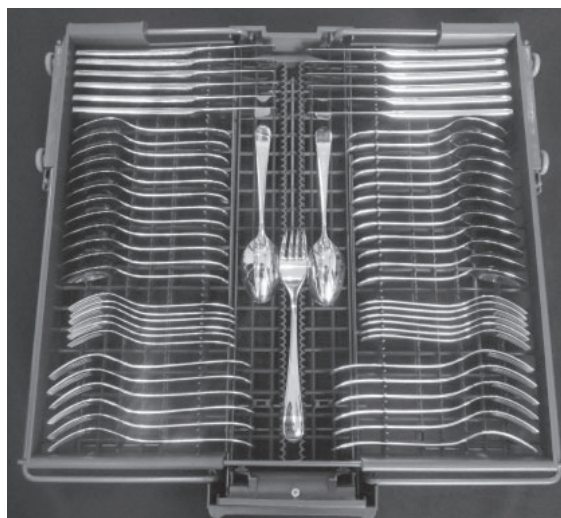


Méthode de chargement internationale - support supérieur (12 couverts)



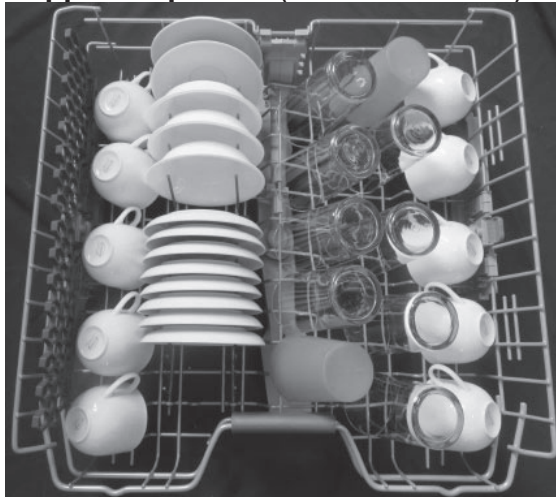
Méthode de chargement international - support inférieur (12 couverts)

Panier à couverts supérieur



Méthode de chargement international – panier à couverts supérieur (12 couverts)

Support supérieur (sur certains modèles)



Méthode de chargement supplémentaire – support supérieur
(10 couverts)

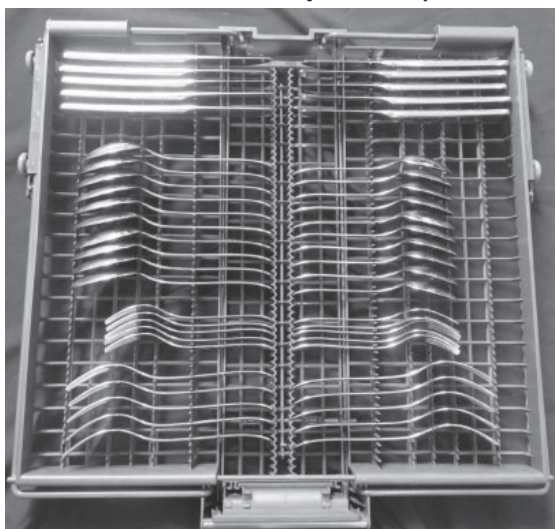
Support inférieur (sur certains modèles)



Méthode de chargement supplémentaire - support inférieur
(10 couverts)

Panier à couverts supérieur (sur certains modèles)

Panier à couverts supérieur (VARIE SELON LE



Méthode de chargement international – panier à couverts supérieur
(12 couverts)



MISE EN GARDE : Vous devez placer les couteaux et autres ustensiles à bout pointu et tranchants de grande taille à l'horizontale dans le support supérieur en raison du risque de blessure. Les autres couteaux et ustensiles pointus plus petits doivent être placés avec le bout pointu vers le bas dans le panier à couverts.



MISE EN GARDE : Soyez extrêmement prudent lorsque vous retirez les couteaux et autres ustensiles pointus du lave-vaisselle. Ces objets peuvent avoir changé de position pendant le programme de lavage et peuvent être mouillés ou vous glisser des mains.



MISE EN GARDE : De la vapeur chaude peut s'échapper! Risque de brûlures graves ou d'autres blessures.

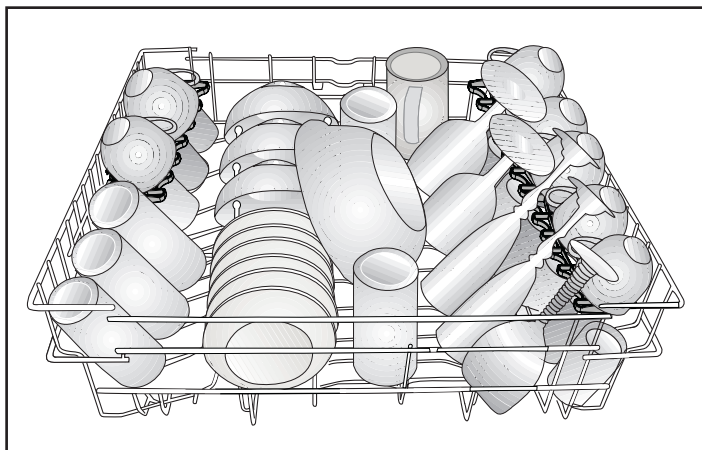


REMARQUE : Vous devez retirer le panier inférieur du lave-vaisselle pendant les tests conformément à la norme AHAM DW-1.

- Votre lave-vaisselle peut contenir jusqu'à 12 couverts.
- Placez tous les récipients tels que les tasses, les verres et les casseroles dans le lave-vaisselle avec l'ouverture vers le bas (de sorte que l'eau ne puisse pas s'accumuler).
- Vous pouvez mettre les objets de petite taille et légers dans le support supérieur.
- Placez les objets longs et étroits au milieu des supports.
- Placez tous les objets de grande taille et très sales dans le support inférieur.
- Chargez la vaisselle en conséquence et soyez prudent lors du chargement des verres afin qu'ils ne se heurtent pas pendant le cycle de lavage. Assurez-vous également que les deux bras de lavage ne touchent pas la vaisselle.
- Ne surchargez pas votre lave-vaisselle et faites attention aux indications du fabricant concernant la vaisselle qui convient pour un lave-vaisselle. Vous obtiendrez des résultats de lavage optimaux en consommant une quantité d'énergie raisonnable seulement si vous chargez des plats appropriés (mentionnés dans la section 5).

4.1 SUPPORT SUPÉRIEUR

Chargez le support supérieur avec des assiettes à dessert, des tasses, des verres, etc.

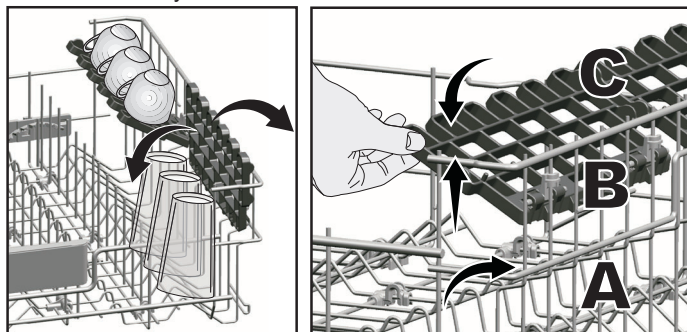


CLAYETTES RÉGLABLES

(sur certains modèles)

Vous pouvez régler la hauteur des clayettes selon la taille des verres et des tasses.

1. Rabattez la clayette vers le haut **A**.
2. Positionnez-la à la hauteur souhaitée **B**.
3. Rabattez la clayette vers le bas **C**.

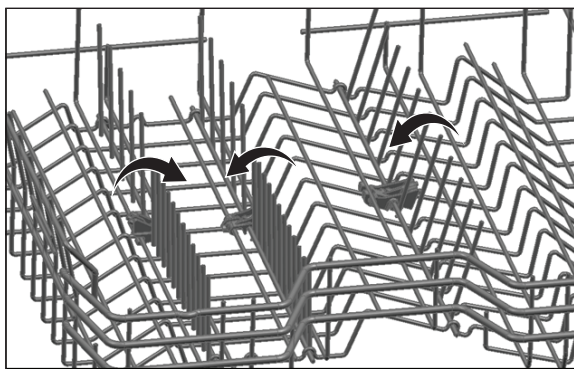


PICOTS REPLIABLES DU PANIER SUPÉRIEUR

(sur certains modèles)

Vous pouvez rabattre les picots repliables lorsque vous avez besoin d'un plus grand espace pour vos plats dans le panier supérieur de votre machine.

Pour ramener les picots repliables en position horizontale, saisissez le picot au centre et poussez les picots dans le sens de la flèche indiquée sur la figure. Placez vos plus grands plats dans la zone créée. Pour ramener les picots en position verticale, il suffit de les soulever.



Vous risquez de tordre l'extrémité des picots si vous les rabattez en position horizontale en les tenant par le haut. Par conséquent, tenez les picots à la base tout en les mettant en position horizontale ou verticale.

RÉGLAGE DE LA HAUTEUR DU PANIER SUPÉRIEUR

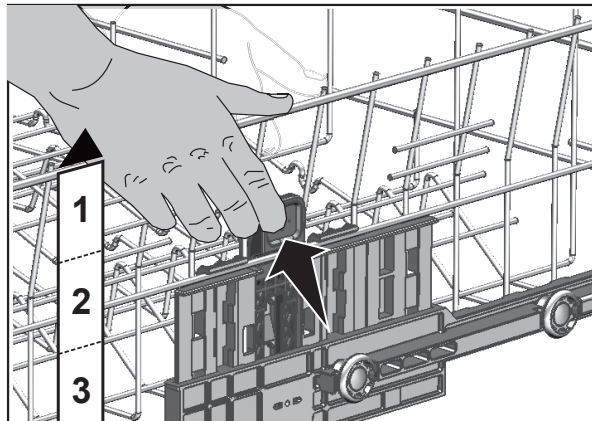
(sur certains modèles)

Le mécanisme de réglage de la hauteur du panier supérieur a été conçu pour créer de grands espaces dans les sections inférieure ou supérieure de votre machine en fonction de vos besoins. Cela est rendu possible par un réglage de la hauteur vers le haut ou le bas, que votre panier soit vide ou chargé.

Grâce à ce mécanisme, vous pouvez utiliser le panier dans trois positions différentes : basse, intermédiaire et haute (1, 2, 3).

1. Pour soulever le panier, tenez les tiges du panier supérieur des deux mains lorsque le panier est dans la position la plus basse et tirez-les vers le haut (**A**).
2. Vous entendrez un « clic » des mécanismes droit et gauche, indiquant que le panier a atteint le niveau suivant. Relâchez le panier.

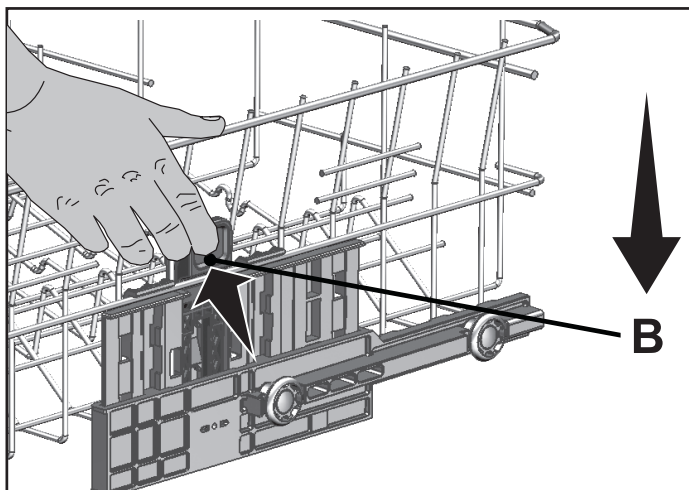
Répétez le processus si vous souhaitez positionner le panier à un autre niveau.



Lorsque le panier est dans la position la plus haute, vous pouvez l'abaisser de la façon suivante :

1. Tenez le panier supérieur à claire-voie des deux mains, soulevez légèrement le panier puis poussez et relâchez simultanément les loquets indiqués à la figure (**B**).
2. Abaissez le panier de sa position actuelle à la position inférieure.
3. Relâchez le panier après qu'il a atteint le niveau inférieur.

Répétez le processus si vous souhaitez positionner le panier à un autre niveau.



Le mécanisme de déplacement est susceptible ne pas fonctionner correctement si le panier supérieur est surchargé ou si la répartition du poids n'est pas équilibrée. Si le poids est trop important, le panier risque de chuter d'un niveau.

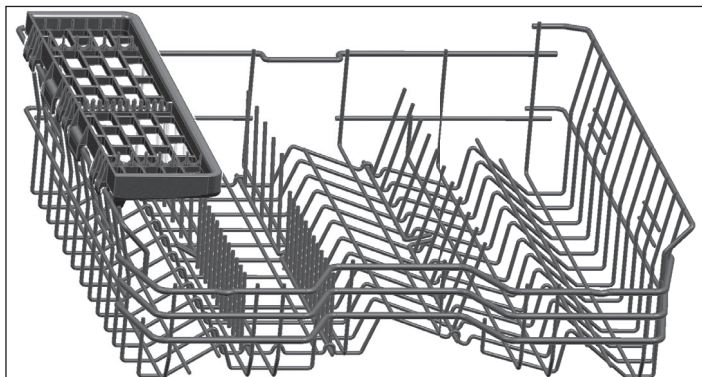


Assurez-vous que le mécanisme de réglage est positionné de façon égale sur les côtés droit et gauche du panier supérieur.

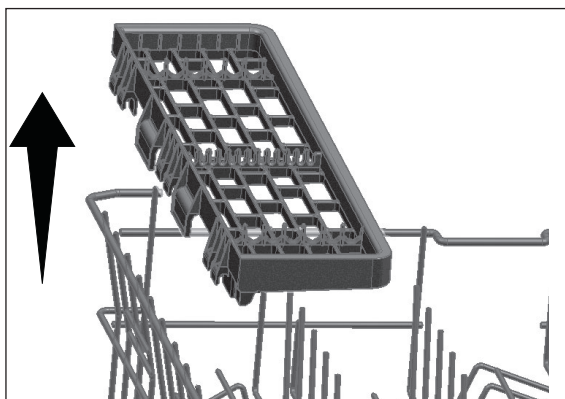
SUPPORT MULTIFONCTION POUR PANIER SUPÉRIEUR

(sur certains modèles)

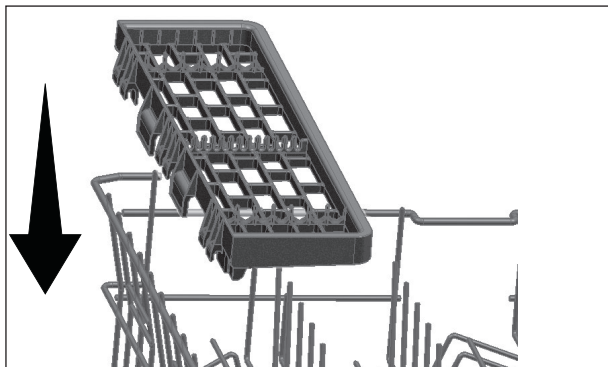
Cet accessoire situé dans le panier supérieur de votre machine vous permet de laver facilement des pièces comme des louches et des couteaux à pain très longs.



Vous pouvez soulever le support multifonction du panier supérieur pour le retirer si vous ne souhaitez pas l'utiliser.

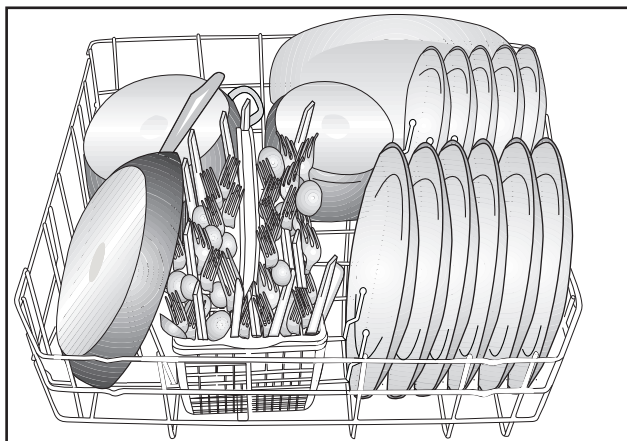


Si vous souhaitez réutiliser le support multifonction du panier supérieur, vous pouvez facilement le refixer à la partie latérale du panier supérieur.



4.2 SUPPORT INFÉRIEUR

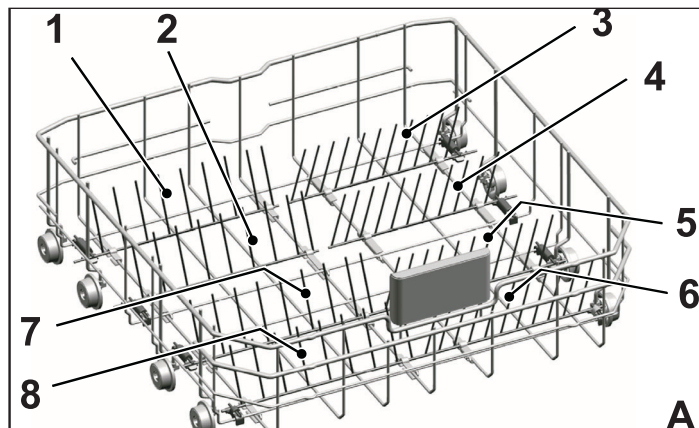
Utilisez le panier inférieur pour les assiettes, bols, casseroles, etc.



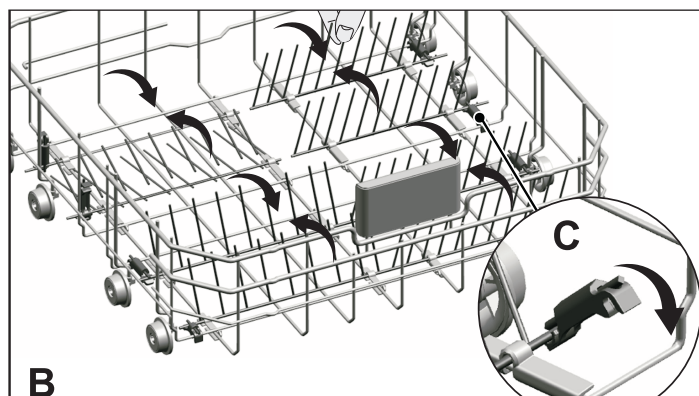
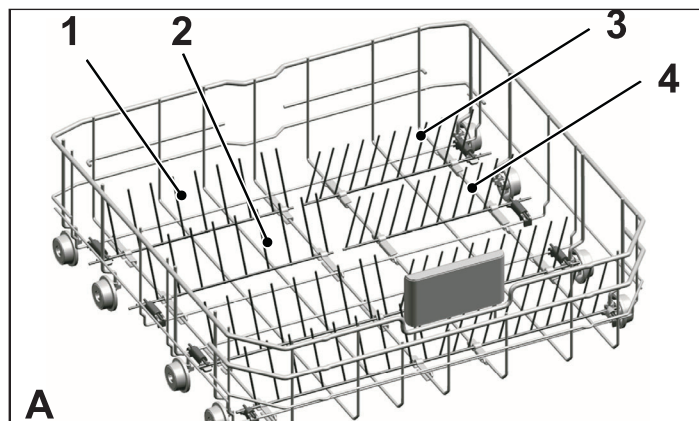
DENTS REPLIABLES DU PANIER INFÉRIEUR

(sur certains modèles)

Le panier inférieur de la machine est équipé de dents pliables (A) qui sont conçues pour ranger plus facilement de grands objets comme les poêles, les saladiers, etc. Vous pouvez créer de plus grands espaces en pliant chaque dent individuellement ou en les rabattant toutes à la fois.



Pour ramener les dents repliables en position horizontale, saisissez les dents au centre et poussez-les dans le sens des flèches (B). Pour ramener les dents en position verticale, il suffit de les soulever. Les dents repliables vont de nouveau s'emboîter dans le loquet (C).



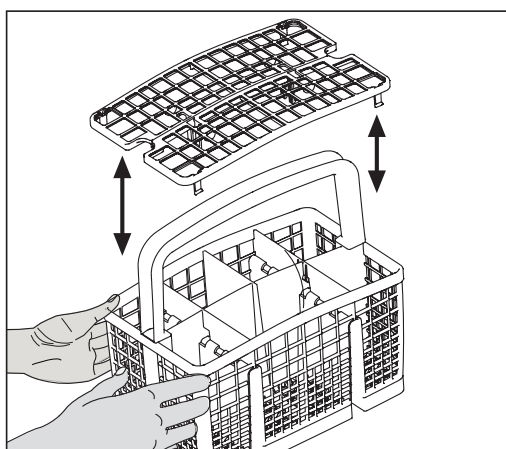
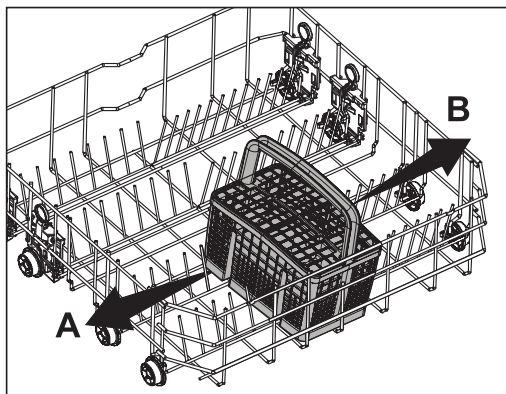
Vous risquez de tordre l'extrémité des dents si vous les rabattez en position horizontale en les tenant par le haut. Par conséquent, ramenez les dents du centre à la position horizontale ou verticale en les tenant à la base et en poussant dans le sens de la flèche.

PANIER À COUVERTS AMOVIBLE

(sur certains modèles)

Le panier à couverts amovible est conçu pour laver la vaisselle (comme un couteau, une fourchette, une cuillère) d'une manière plus efficace.

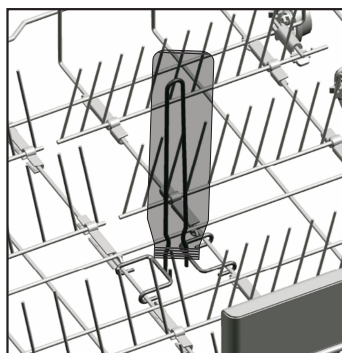
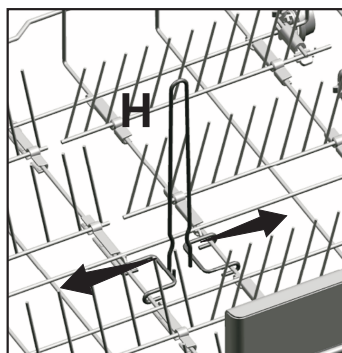
Comme le panier à couverts peut être déplacé (A, B), vous pouvez créer plus d'espace tout en plaçant votre vaisselle dans le panier inférieur et libérer de l'espace pour vos plats de différentes tailles.



TIGE DU PANIER INFÉRIEUR POUR CONTENANT LONG

(sur certains modèles)

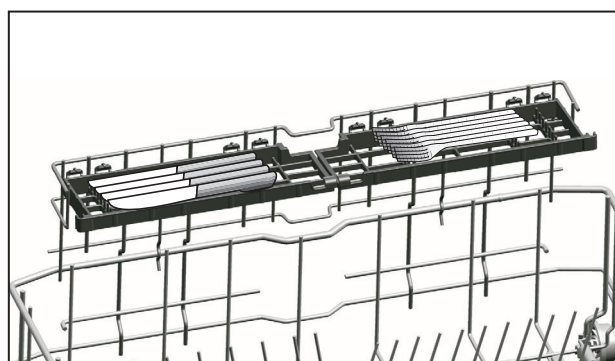
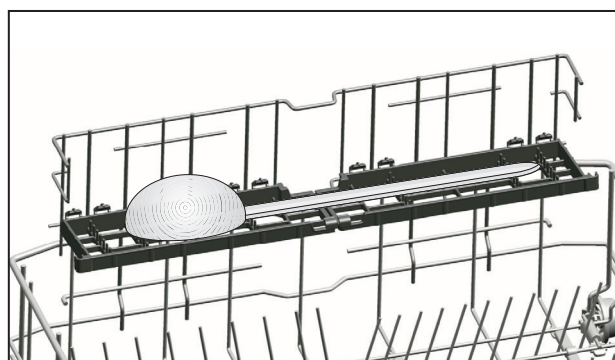
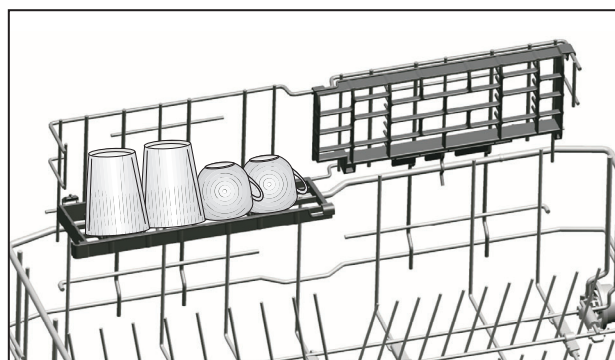
La tige pour contenant long est conçue pour faciliter le lavage des objets longs avec un goulot large. Vous pouvez retirer la tige pour contenant long du panier lorsque vous ne l'utilisez pas en la tirant des deux côtés (H).



SUPPORT MULTIFONCTION/RÉGLABLE EN HAUTEUR POUR PANIER INFÉRIEUR

(sur certains modèles)

Cet accessoire situé dans le panier inférieur de votre machine vous permet de laver facilement des pièces comme des verres, louches et des couteaux à pain très longs.



Vous pouvez utiliser les supports au besoin en les déplaçant vers le bas ou le haut, ou les rabattre pour créer un espace plus important dans votre panier inférieur.

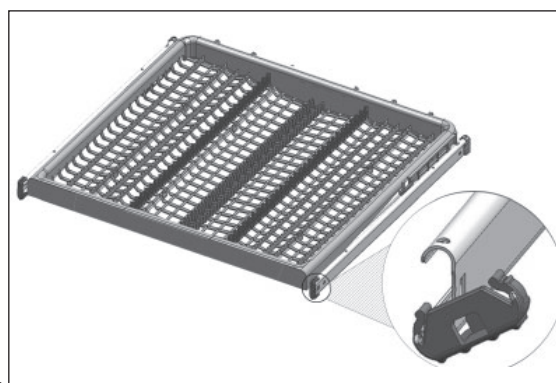


Assurez-vous que l'hélice ne touche pas la vaisselle que vous avez placée sur les supports.

PANIER À COUVERTS SUPPÉRIEUR

(sur certains modèles)

Le panier à couverts supérieur est conçu pour laver les couverts tels que les fourchettes et les cuillères en les plaçant entre les barreaux du panier.

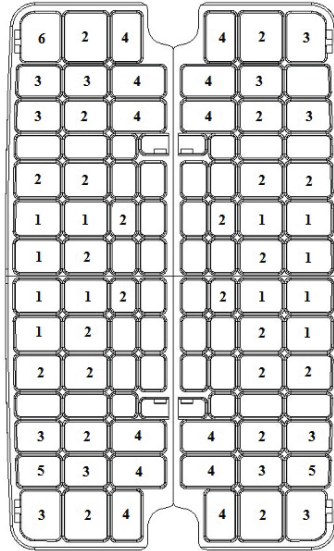


4.3 CHARGEMENT CORRECT ET INCORRECT DE LA VAISSELLE



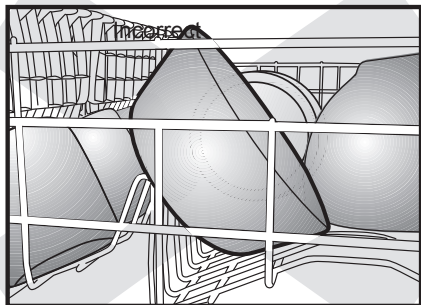
1 : Fourchette à salade
2 : Cuillère à café
3 : Fourchette de table
4 : Couteau manche plein
5 : Cuillère à servir
6 : Fourchette à servir

Méthode de chargement de panier à couverts coulissant pour 12 couverts selon les normes AHAM DW-1

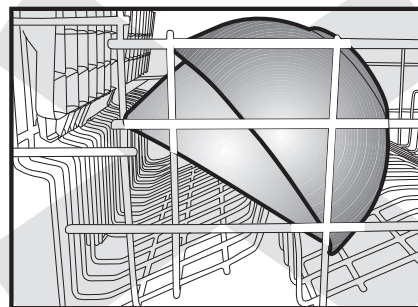


- Placez tous les récipients tels que les tasses, les verres et les casseroles dans le lave-vaisselle avec l'ouverture vers le bas (de sorte que l'eau ne puisse pas s'accumuler).

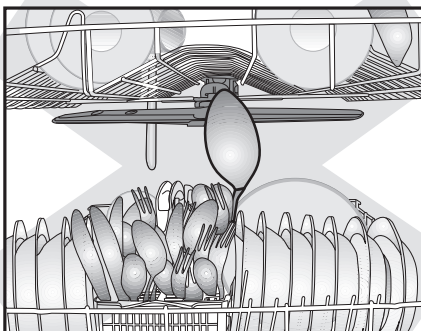
- Les bras gicleurs doivent pouvoir tourner librement.
- Ne surchargez pas votre lave-vaisselle.
- Vous obtiendrez des résultats de lavage optimaux en consommant une quantité d'énergie raisonnable seulement si vous chargez des plats appropriés (mentionnés dans la section 5).



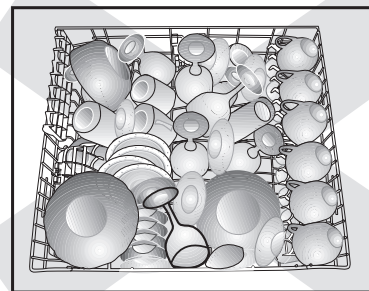
Incorrect



Incorrect



Incorrect



Incorrect

5. CE QUI NE DOIT PAS ÊTRE LAVÉ AU LAVE-VAISSELLE

- Les pièces en acier qui peuvent rouiller, comme le fer et la fonte, et qui peuvent tacher d'autres ustensiles et endommager le revêtement intérieur en acier inoxydable du lave-vaisselle et annuler la garantie. Ne lavez pas d'objets en cuivre, en laiton, en potin, en bronze ou en étain.
- Les couverts avec un manche en bois, en corne, en nacre ou en porcelaine se détériorent au fil du temps s'ils sont mis au lave-vaisselle.
- Les objets en plastique peuvent se déformer ou décolorer sous l'effet de l'eau chaude. Veuillez suivre les indications des fabricants d'objets en plastique. Assurez-vous que les articles en plastique portent la mention « lavable au lave-vaisselle ».
- Les plats ou les couverts encollés ne conviennent pas au lavage en machine, car certains adhésifs peuvent se ramollir ou se dissoudre sous l'effet de l'eau chaude.
- L'aluminium peut ternir avec le temps. Les minéraux dans l'eau et le détergent peuvent noircir ou tacher l'aluminium.
- Les objets en argent sterling ne doivent pas être lavés au lave-vaisselle, car ils ont tendance à se décolorer et à devenir ternes sous l'effet du détergent du lave-vaisselle.
- L'argenterie et les objets en acier inoxydable ne doivent pas être en contact les uns avec les autres. Ces éléments peuvent être marqués s'ils se touchent. Sortez immédiatement ces objets après la fin du programme et essuyez-les à la main.
- Les verres décorés, la porcelaine, y compris celle avec des bords dorés et la porcelaine fine sont sensibles au lavage en machine. Les motifs et la couleur de ces éléments peuvent disparaître avec le temps.
- Les verres très fins et en cristal peuvent devenir opaques (marque) et perdre leur éclat au fil du temps. Il sera peut-être préférable de les laver à la main.
- Ne lavez pas les éponges ou les torchons à vaisselle au lave-vaisselle.
- Ne lavez pas les objets d'art et d'artisanat au lave-vaisselle.
- Les objets en aluminium et en plastique jetable ne résistent pas à des températures élevées. Ne les lavez pas au lave-vaisselle.



MISE EN GARDE : En cas de doute, lavez à la main ou suivez les indications du fabricant d'ustensiles, de vaisselle, de verres ou de casseroles ou de poêles.
Ne lavez pas les objets souillés avec de la cendre de cigarette, de la cire de bougie, du vernis, de la peinture ou des produits chimiques, car ils peuvent endommager votre lave-vaisselle.



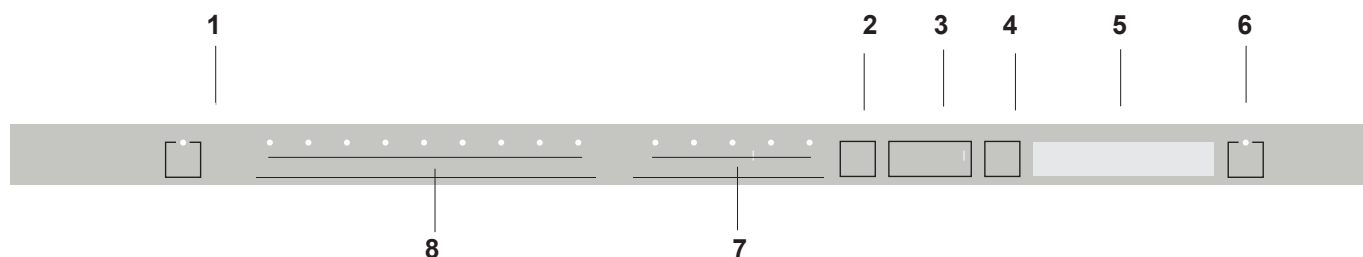
REMARQUE : Lorsque vous achetez de la nouvelle vaisselle, nous vous recommandons de choisir des objets lavables en machine (qui portent la mention « lavable au lave-vaisselle »).

ENTRETIEN DE VOTRE VAISSELLE

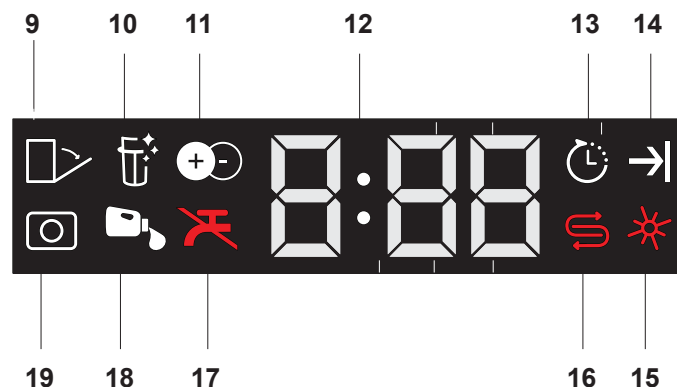
Les températures élevées associées au détergent pour lave-vaisselle peuvent endommager certains objets s'ils sont lavés au lave-vaisselle. Si vous avez un doute concernant le lavage au lave-vaisselle de certains objets, suivez les indications du fabricant de ces objets, ou lavez-les à la main.

SÉRIE 5

UTILISATION DU PRODUIT



1. Touche Marche/Arrêt
2. Touche de menu
3. Touches de sélection du délai de temporisation/de sélection de commande dans le menu
4. Touche de sélection/confirmation
5. Écran
6. Touche Lancement/Pause/Annulation
7. Touches de sélection de fonction
 - F1 Fonction de lavage intensif (IntenseWash)
 - F2 Fonction Lavage rapide
 - F3 Fonction Brillance parfaite
 - F4 Fonction Demi-charge
8. Touches de sélection de programme



9. Voyant d'ouverture de porte automatique (dépend du modèle)
10. Voyant de fonction de nettoyage du filtre (dépend du modèle)
11. Voyant de fonction (dépend du modèle)
12. Indicateur de temporisation/délai avant le début du programme
13. Voyant de départ différé
14. Voyant de fin de programme
15. Voyant de produit de rinçage
16. Voyant de sel
17. Voyant de coupure d'eau
18. Voyant de niveau de détergent liquide (dépend du modèle)
19. Voyant de détergent en tablette (dépend du modèle)

Touche Marche/Arrêt

Lorsque vous appuyez sur la touche Marche/Arrêt, les voyants s'allument sur l'écran pour indiquer le démarrage. Les voyants s'éteignent pour indiquer l'arrêt.

TOUCHE DE SÉLECTION DE PROGRAMME/D'ANNULATION DE PROGRAMME

Sélectionnez le programme de votre choix à l'aide des « touches de sélection de programme » et appuyez sur le bouton.

Pour annuler le programme en cours, ouvrez la porte de la machine et maintenez la touche Lancement/Pause/Annulation de programme enfoncée pendant 3 secondes.

Après le compte à rebours 3-2-1, 0:01 s'affiche, fermez la porte du produit et attendez que le processus de vidange soit terminé. La vidange s'effectue en 2 minutes et la machine émet un avertissement sonore lorsqu'elle est terminée.

TOUCHES DE FONCTION

Si vous appuyez sur l'une des touches de fonction pendant la sélection du programme ou la sélection de la temporisation, la touche émettra un signal de confirmation à condition que la fonction correspondante soit prise en charge par le programme sélectionné. La fonction est considérée comme sélectionnée lorsque le voyant de la fonction sélectionnée est allumé.

Pour annuler la fonction sélectionnée, maintenez la touche de la fonction enfoncée jusqu'à ce que le voyant correspondant s'éteigne.

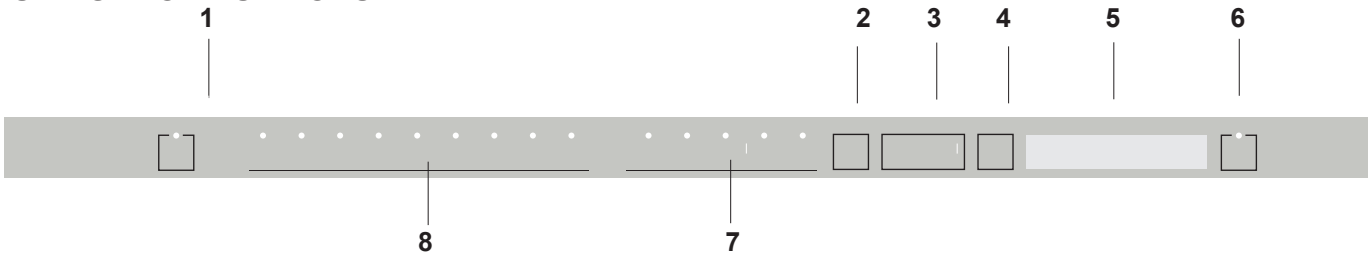
PRÉPARATION DE LA MACHINE

1. Ouvrez la porte du lave-vaisselle.
2. Placez la vaisselle conformément aux instructions du manuel d'utilisation.
3. Assurez-vous que les hélices supérieure et inférieure tournent librement.
4. Mettez une quantité suffisante de détergent dans le distributeur de détergent.

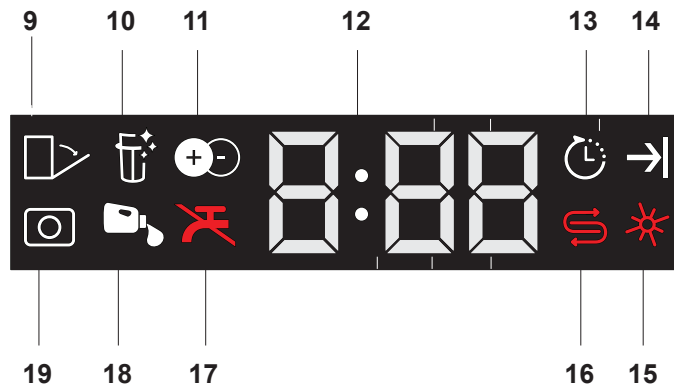
SÉLECTION DE PROGRAMME

1. Appuyez sur le bouton Marche/Arrêt pour mettre votre machine en marche.
2. Vérifiez les voyants de sel et de produit de rinçage et ajoutez du sel ou du produit de rinçage si nécessaire.
3. Reportez-vous au tableau « Données des programmes et valeurs moyennes de consommation » pour choisir un programme de lavage adapté à votre vaisselle.
4. Appuyez sur la touche Lancement/Pause/Annulation de clignotant. Ferme la porte. Si la porte n'est pas fermée immédiatement après avoir appuyé sur start, l'unité ne démarrera pas. Appuyez à nouveau sur le bouton Démarrer et fermez immédiatement la porte.

UTILISATION DU PRODUIT



1. Touche Marche/Arrêt
2. Touche de menu
3. Touches de sélection du délai de temporisation/ de sélection de commande dans le menu
4. Touche de sélection/confirmation
5. Écran
6. Touche Lancement/Pause/Annulation
7. Touches de sélection de fonction
 - F1 Fonction Lavage rapide
 - F2 Fonction Brillance parfaite
 - F3 Fonction Assainissement
 - F4 Fonction Demi-charge
8. Touches de sélection de programme



9. Voyant d'ouverture de porte automatique (dépend du modèle)
10. Voyant de fonction de nettoyage du filtre (dépend du modèle)
11. Voyant de fonction (dépend du modèle)
12. Indicateur de temporisation/délai avant le début du programme
13. Voyant de départ différé
14. Voyant de fin de programme
15. Voyant de produit de rinçage
16. Voyant de sel
17. Voyant de coupure d'eau
18. Voyant de niveau de détergent liquide (dépend du modèle)
19. Voyant de détergent en tablette (dépend du modèle)

Touche Marche/Arrêt

Lorsque vous appuyez sur la touche Marche/Arrêt, les voyants s'allument sur l'écran pour indiquer le démarrage. Les voyants s'éteignent pour indiquer l'arrêt.

TOUCHE DE SÉLECTION DE PROGRAMME/D'ANNULATION DE PROGRAMME

Sélectionnez le programme de votre choix à l'aide des « touches de sélection de programme » et appuyez sur le bouton.

Pour annuler le programme en cours, ouvrez la porte de la machine et maintenez la touche Lancement/Pause/Annulation de programme enfoncée pendant 3 secondes.

Après le compte à rebours 3-2-1, 0:01 s'affiche, fermez la porte du produit et attendez que le processus de vidange soit terminé. La vidange s'effectue en 2 minutes et la machine émet un avertissement sonore lorsqu'elle est terminée.

TOUCHES DE FONCTION

Si vous appuyez sur l'une des touches de fonction pendant la sélection du programme ou la sélection de la temporisation, la touche émettra un signal de confirmation à condition que la fonction correspondante soit prise en charge par le programme sélectionné. La fonction est considérée comme sélectionnée lorsque le voyant de la fonction sélectionnée est allumé.

Pour annuler la fonction sélectionnée, maintenez la touche de la fonction enfoncée jusqu'à ce que le voyant correspondant s'éteigne.

PRÉPARATION DE LA MACHINE

1. Ouvrez la porte du lave-vaisselle.
2. Placez la vaisselle conformément aux instructions du manuel d'utilisation.
3. Assurez-vous que les hélices supérieure et inférieure tournent librement.
4. Mettez une quantité suffisante de détergent dans le distributeur de détergent.

SÉLECTION DE PROGRAMME

1. Appuyez sur le bouton Marche/Arrêt pour mettre votre machine en marche.
2. Vérifiez les voyants de sel et de produit de rinçage et ajoutez du sel ou du produit de rinçage si nécessaire.
3. Reportez-vous au tableau « Données des programmes et valeurs moyennes de consommation » pour choisir un programme de lavage adapté à votre vaisselle.
4. Appuyez sur la touche Lancement/Pause/Annulation de clignotant. Ferme la porte. Si la porte n'est pas fermée immédiatement après avoir appuyé sur start, l'unité ne démarrera pas. Appuyez à nouveau sur le bouton Démarrer et fermez immédiatement la porte

TABLA DE PROGRAMAS

Numéro du programme	1	2	3	4	5	6	7	8
Nom du programme	Auto	Combi Clean	Pots & Pans + (Casseroles et poêles plus)	Regular Wash * (Lavage normal)	GlassCare	Hour Wash	Quick Wash (Lavage Rapide)	Rinse & Hold (Rinçage)
Lavage Températures	(°C)	55	70	50-55	45	49	45	0
	(°F)	131	158	122-131	113	120	113	0
Rinçage Températures	(°C)	66	75	61-67	65	71	55	0
	(°F)	151	167	142-157	149	160	131	0
Degré de saleté	Moyen - Élevé	Moyen	Élevé	Moyen	Peu sale	Peu sale - Moyen	Peu sale	-
Détersif dans le compartiment	15 ml	-	-	-	-	-	+	-
	15-25 ml	+	+	+	+	+	-	-
	+ 5 ml	-	+	+	-	+	-	-
Quantité de détersif recommandée	Eau dure	25-40	40	25-40	25	25-40	15-25	-
	Eau moyenne	5-8	8	5-8	5	5-8	3-5	-
	Eau douce	15-40	40	25	25	25	15	-
		3-8	8	8	5	5	3	-
Lavage	+	+	+	+	+	-	-	+
Lavage principal	+	+	+	+	+	+	+	-
Séchage	+	+	+	+	+	+	-	-
Sanitize?	+	-	+	+	-	-	-	-
Durée (en minutes)	100-152	182	122	100-152	101	58	35	15
Eau (en litres)	9,0-21,2	19,2	20,2	9,0-21,2	13,6	10,4	11,6	4,2
Eau (en gallons)	2,38-5,55	5,02	5,34	2,38-5,55	3,40	2,70	3,10	1,10

Les valeurs liées à la consommation présentées dans le tableau ont été déterminées dans des conditions normales. Ainsi, les valeurs de consommation peuvent différer dans le cadre de votre utilisation. * Les informations sur l'étiquette sur la consommation d'énergie sont fondées sur ce programme.

TABLA DE PROGRAMAS

Numéro du programme	1	2	3	4	5	6	7	8
Nom du programme	Auto	Combi Clean	Pots & Pans + (Casserolles et poêles plus)	Regular Wash * (Lavage normal)	GlassCare	Hour Wash	Quick Wash (Lavage Rapide)	Rinse & Hold (Ringage)
Lavage Températures	(°C) 50-55	55	70	50-55	45	49	45	0
	(°F) 142-157	131	158	122-131	113	120	113	0
Rinçage Températures	(°C) 61-67	66	75	61-67	65	71	55	0
	(°F) 122-131	151	167	142-157	149	160	131	0
Degré de saleté	Moyen - Élevé	Moyen	Élevé	Moyen	Peu sale	Peu sale - Moyen	Peu sale	-
Détersif dans le compartiment	15 ml	-	-	-	-	-	+	-
	15-25 ml	+	+	+	+	+	-	-
	+ 5 ml	-	+	+	-	+	-	-
Quantité de détersif recommandée	Eau dure	25-40	40	25-40	25	25-40	15-25	-
	c.à thé	5-8	8	5-8	5	5-8	3-5	-
	Eau moyenne	15-40	40	40	25	25	15	-
	c.à thé	3-8	8	8	5	5	3	-
Eau douce	ml	25-40	25-40	15-25	15	15-25	15	-
	c.à thé	3-8	5-8	5-8	3-5	3-5	3	-
Lavage	+	+	+	+	+	-	-	+
Lavage principal	+	+	+	+	+	+	+	-
Séchage	+	+	+	+	+	+	-	-
Sanitize?	+	-	+	+	-	-	-	-
Durée (en minutes)	100-152	182	122	100-152	101	58	35	15
Eau (en litres)	9,0-21,2	19,2	20,2	9,0-21,2	13,6	10,4	11,6	4,2
Eau (en gallons)	2,38-5,55	5,02	5,34	2,38-5,55	3,40	2,70	3,10	1,10

Les valeurs liées à la consommation présentées dans le tableau ont été déterminées dans des conditions normales. Ainsi, les valeurs de consommation peuvent différer dans le cadre de votre utilisation. * Les informations sur l'étiquette sur la consommation d'énergie sont fondées sur ce programme.

TABLA DE PROGRAMAS

Numéro du programme	1	2	3	4	5	6
Nom du programme	Pots & Pans + (Casseroles et poêles plus)	Regular Wash * (Lavage normal)	GlassCare	Hour Wash	Quick Wash (Lavage Rapide)	Rinse & Hold (Rinçage)
Lavage Températures	(°C)	50-55	48	47	45	0
	(°F)	122-131	118	116,6	113	0
Rinçage Températures	(°C)	61-67	65	71	55	0
	(°F)	142-157	149	160	131	0
Degré de saleté	Élevé	Moyen	Peu sale	Peu sale - Moyen	Peu sale	-
Détersif dans le compartiment	15 ml	-	-	-	+	-
	15-25 ml	+	+	+	-	-
	+ 5 ml	+	-	+	-	-
Quantité de détersif recommandée	Eau dure	25-40	25	25-40	15-25	-
	c.à thé	5-8	5	5-8	3-5	-
	Eau moyenne	25	15-25	25	15	-
c.à thé	5	3-5	3-5	5	3	-
Eau douce	ml	15-25	15	15-25	15	-
	c.à thé	3-5	3	3-5	3	-
Lavage	+	+	+	-	-	+
Lavage principal	+	+	+	+	+	-
Séchage	+	+	+	+	-	-
Sanitize?	+	+	-	-	-	0
Durée (en minutes)	122	100-135	65	58	35	15
Eau (en litres)	20,2	8,8-21,2	12	10,4	11,6	4,2
Eau (en gallons)	5,34	2,32-5,60	3,17	2,70	3,10	1,10

Les valeurs liées à la consommation présentées dans le tableau ont été déterminées dans des conditions normales. Ainsi, les valeurs de consommation peuvent différer dans le cadre de votre utilisation. * Les informations sur l'étiquette sur la consommation d'énergie sont fondées sur ce programme.

6.4 FONCTIONS AUXILIAIRES

Les programmes de lavage de votre lave-vaisselle sont conçus pour obtenir les meilleures performances en termes de nettoyage, en tenant compte du type de salissures, du degré de saleté et des propriétés de la vaisselle à laver.

Les fonctions auxiliaires vous permettent de gagner du temps et d'économiser de l'eau ainsi que de l'énergie.



Les fonctions auxiliaires peuvent modifier la durée du programme.



Les fonctions auxiliaires ne sont pas adaptées à tous les programmes de lavage. Le voyant de la fonction auxiliaire non compatible avec le programme est désactivé.

Fonction Demi-charge

Cette fonction est utilisée pour faire fonctionner la machine sans la charger complètement.

1. Chargez votre vaisselle dans la machine comme vous le souhaitez. Vous pouvez utiliser les supports supérieurs et inférieurs.
2. Mettez la machine en marche avec la touche Marche/Arrêt.
3. Sélectionnez le programme de votre choix et appuyez sur la touche « Demi-charge ». Le voyant Demi-charge s'allume dans l'espace d'indication de la fonction sélectionnée.
4. Lancez le programme en appuyant sur la touche Lancement/Pause/Annulation.

Fonction Lavage rapide

Cette fonction permet de raccourcir la durée du cycle de lavage sélectionné et diminue la consommation d'eau grâce à un lavage à plus haute pression.

Fonction Brillance parfaite

Cette fonction assure des performances supérieures en matière de séchage.

Voyant Assainissement

Fonction Assainissement

Cette fonction permet d'augmenter la température de l'eau lors du rinçage final afin de satisfaire aux exigences de la NORME NSF/ANSI 184 s'appliquant aux lave-vaisselle à usage domestique. Les lave-vaisselle certifiés à usage domestique ne sont pas conçus pour les établissements de restauration agréés.



À la fin d'un processus d'assainissement réussi, la mention « SAN » s'affiche à l'écran. Cette mention ne s'affiche pas si le cycle est interrompu ou si l'eau n'a pas pu être chauffée à la température requise.

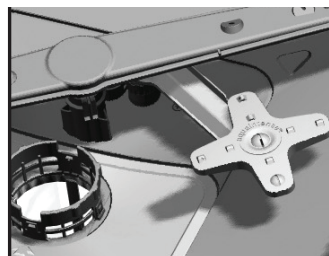


Les programmes disponibles sont indiqués dans le tableau des programmes.



Remarque : Seuls les cycles d'assainissement ont été conçus pour satisfaire aux exigences de la norme NSF/ANSI 184 concernant l'élimination des salissures et l'efficacité en matière d'assainissement.
Les autres cycles n'ont pas été conçus avec l'intention directe ou indirecte qu'ils répondent aux exigences des tests de performances en matière d'assainissement.

Fonction de lavage intensif (IntenseWash)



L'hélice pour lavage intensif (IntenseWash) située sous l'hélice inférieure permet de laver la vaisselle très sale du côté droit du panier inférieur. Elle donnera de meilleurs résultats en plaçant le plat le plus sale du côté avant droit.



N'essayez pas de retirer l'hélice pour lavage intensif (IntenseWash)!

Éclairage au sol

S'allume pour montrer que le programme est toujours en cours d'exécution.

(sur certains modèles)

Votre machine reflète une lumière sur le sol pendant le processus de lavage. Cette lumière s'éteint une fois le processus de lavage terminé.



L'éclairage du sol ne peut pas être annulé par l'utilisateur.

Éclairage intérieur

(sur certains modèles)

Certains modèles sont équipés d'un éclairage intérieur qui permet d'éclairer l'intérieur de l'appareil lorsque la porte est ouverte.

Modification du réglage de l'éclairage intérieur

1. Après avoir mis votre machine en marche, appuyez sur la touche Menu pendant 1 seconde.
2. Appuyez sur <- et +> pour accéder à la mention « L: » sur l'écran. Sélectionnez la position de votre choix avec la touche de sélection. La mention « L: 0 » signifie que l'éclairage intérieur est éteint et la « L: 1 » qu'il est allumé.
3. Appuyez sur la touche Menu pour quitter le menu des paramètres. Votre réglage est enregistré automatiquement.

Modification du volume sonore d'avertissement

1. Après avoir mis votre machine en marche, appuyez sur la touche Menu pendant 1 seconde.
2. Appuyez sur <- et +> pour accéder à la mention « S: » sur l'écran.
3. Chaque fois que vous appuyez sur la touche de sélection, le volume du sonore d'avertissement change : la mention « S:0 » signifie que le son est désactivé, « S:1 » que le volume est intermédiaire et « S:2 » que le volume est fort.
4. Appuyez sur la touche Menu pour quitter le menu des paramètres. Votre réglage est enregistré automatiquement.



Votre machine est réglée par défaut sur « S:2 ».

Fonctions sous le menu Paramètres (dépend du modèle)

Dans le menu des paramètres de votre produit, certaines fonctions supplémentaires dépendent du modèle.

Pour accéder à ces fonctions, appuyez sur la touche Menu et maintenez-la enfoncée pendant 3 secondes. Utilisez <- et +> pour accéder à la fonction ou au réglage de votre choix.

Utilisez la touche de sélection pour modifier la fonction ou le paramètre de votre choix et appuyez sur la touche Menu pour quitter le menu Paramètres.

Activation/désactivation de la fonction de la tablette de détergent



Fonction Détergent en tablette

Cette fonction permet d'obtenir de meilleures performances en matière de séchage à partir des détergents polyvalents appelés « détergents tout-en-un », tels que « 2 en 1 », « 3 en 1 », « 4 en 1 », « 5 en 1 », etc., en fonction du niveau de dureté de l'eau du robinet.

i Si vous avez utilisé les fonctions relatives aux tablettes lors du dernier programme de lavage que vous avez utilisé, la fonction Tablette reste active dans le programme de lavage que vous sélectionnez ensuite. Si vous ne souhaitez pas utiliser ces fonctions dans le nouveau programme que vous avez sélectionné, appuyez sur la touche Détergent en tablette jusqu'à ce que le voyant de la fonction correspondante s'éteigne.

i La fonction Détergent en tablette peut entraîner la modification de la durée du programme.

6.5 PLANIFICATION DE L'HEURE DE LAVAGE

Temporisation

Si un tarif d'électricité économique est appliqué dans votre région, vous pouvez utiliser la fonction Temporisation pour laver la vaisselle aux heures appropriées.

Vous pouvez différer le lancement du programme sélectionné jusqu'à 24 heures.

1. Appuyez sur la touche de la fonction Temporisation après avoir sélectionné le programme de lavage et d'autres fonctions auxiliaires.
2. Une fois que vous appuyez sur la touche Temporisation, la ligne d'information de l'écran affiche « 0:30 » et le voyant Temporisation commence à clignoter.
3. Réglez l'heure de votre choix en appuyant sur la touche Temporisation. Le temps augmente par incréments de 30 minutes jusqu'à 6 heures, puis par incréments de 1 heure jusqu'à 24 heures chaque fois que vous appuyez sur la touche.
4. Fermez la porte de la machine après avoir réglé le départ différé. Une fois le délai écoulé, le programme sélectionné démarre automatiquement.

Modification des paramètres pendant que la fonction Temporisation est active

Lorsque la fonction Temporisation est activée, vous ne pouvez pas modifier le programme de lavage, les fonctions auxiliaires ou le délai de la temporisation.



Le programme et les fonctions auxiliaires ne peuvent pas être réglés/modifiés une fois le programme lancé.

Annulation de la fonction Temporisation

Ouvrez la porte du produit. Appuyez sur les touches de sélection de programme/d'annulation de programme et maintenez-les enfoncées pendant 3 secondes. Après le compte à rebours 3-2-1, 0:01 s'affiche, fermez la porte du produit et attendez que le processus de vidange soit terminé. La vidange s'effectue en 2 minutes et la machine émet un avertissement sonore lorsqu'elle est terminée.



Vous pouvez sélectionner et lancer un nouveau programme après l'annulation de la fonction Temporisation.



La fonction Temporisation ne peut pas être définie une fois le programme lancé.

6.6 LANCEMENT DE PROGRAMME

Après avoir sélectionné le programme et les fonctions auxiliaires, appuyez sur la touche Lancement/Pause/Annulation de clignotant. Ferme la porte.



Sur certains modèles :

Votre machine adoucit l'eau en fonction du niveau de dureté de cette dernière. La durée du lavage peut varier pendant l'exécution du programme en fonction de la température ambiante du lieu où est installée votre machine, de la température de l'eau et de la quantité de vaisselle.



Faites attention à ne pas ouvrir la porte de la machine lorsqu'elle est en marche. Une poussée de vapeur peut se produire lorsque vous ouvrez la porte de la machine, soyez prudent.



La machine s'éteint si vous n'appuyez sur aucun bouton dans les 5 secondes après l'ouverture de la porte alors que la machine est en marche.



Si vous appuyez sur un bouton dans les 5 secondes après avoir ouvert la porte et que vous la refermez, le programme sélectionné reprend. Dans le cas contraire, la machine s'éteint. Ouvrez la porte après l'extinction de la machine, appuyez sur le bouton Marche/Arrêt et refermez la porte dans les 5 secondes. Le programme reprend le lavage.



La machine reste silencieuse en mode Pause pendant un certain temps afin de vidanger complètement l'eau de la machine et de la vaisselle et de procéder au nettoyage de l'adoucisseur d'eau, avant de se mettre en mode Séchage.

6.7 ANNULATION DE PROGRAMME

Appuyez et maintenez la touche Lancement/Pause/Annulation pendant 3 secondes. Après le compte à rebours 3-2-1, 0:01 s'affiche, fermez la porte du produit et attendez que le processus de vidange soit terminé. La vidange s'effectue en 2 minutes et la machine émet un avertissement sonore lorsqu'elle est terminée.



En fonction du moment auquel vous avez annulé le programme, la machine ou la vaisselle à laver peut présenter des résidus de détergent ou de produit de rinçage.

6.8 VOYANT DE SEL (S)

(SUR CERTAINS MODÈLES)

Vérifiez le voyant de sel sur l'écran pour voir s'il y a suffisamment de sel régénérant dans le lave-vaisselle ou non. Vous devez remplir le réservoir de sel avec du sel lorsque le voyant concerné est allumé sur l'écran de la machine.



La façon de définir le niveau de dureté de l'eau est expliquée à la section Système d'adoucissement de l'eau.

6.9 VOYANT DE PRODUIT DE RINÇAGE (☀)

Vérifiez le voyant de produit de rinçage sur l'écran pour voir s'il y a suffisamment de produit de rinçage dans le lave-vaisselle ou non. Vous devez remplir le réservoir de produit de rinçage avec du produit de rinçage lorsque le voyant concerné est allumé sur l'écran de la machine.

Modification de la quantité de produit de rinçage

1. Après avoir mis votre machine en marche, appuyez sur la touche Menu pendant 1 seconde.
 2. À l'aide des touches <- et +>, accédez à la mention « P: » sur l'écran.
 3. Réglez au niveau approprié avec la touche de sélection.
 4. Appuyez sur la touche Menu pour quitter le menu des paramètres. Votre réglage est enregistré automatiquement.
- Aucune dose de produit de rinçage n'est distribuée en position de lavage « P:0 ».
- 1 dose de produit de rinçage est distribuée en position « P:1 ».
 - 2 doses de produit de rinçage sont distribuées en position « P:2 ».
 - 3 doses de produit de rinçage sont distribuées en position « P:3 ».
 - 4 doses de produit de rinçage sont distribuées en position « P:4 ».

6.10 FIN DE PROGRAMME



Lorsque le programme que vous avez sélectionné se termine, un signal sonore vous avertit que vous pouvez éteindre la machine. Ce signal sonore vous avertit périodiquement avant de se désactiver.

Le voyant de fin de programme s'allume lorsque le programme de lavage est terminé.

1. Ouvrez la porte de la machine.
2. Appuyez sur la touche Marche/Arrêt pour éteindre la machine.
3. Fermez la porte.



Afin d'économiser de l'énergie, la machine s'éteint automatiquement à la fin du programme ou si le programme n'est pas lancé.



Laissez la vaisselle dans la machine pendant environ 15 minutes pour lui permettre de refroidir après le lavage. Elle séchera plus rapidement si vous laissez la porte de la machine entrouverte pendant cette période. Ce processus augmentera l'efficacité de la machine en matière de séchage.

6.11 AVERTISSEMENT DE COUPURE D'EAU

Si l'arrivée d'eau principale est coupée ou si la vanne d'arrivée d'eau est fermée, la machine ne peut pas aspirer d'eau et l'icône « E:02 » clignote sur l'indicateur de programme. Tant que le problème persiste, le programme de lavage est mis en pause et l'arrivée d'eau est contrôlée régulièrement par la machine. Lorsque l'arrivée d'eau est rétablie, l'icône « E:02 » ne s'affiche plus après un certain temps et le programme de lavage reprend.

6.12 AVERTISSEMENT DE DÉBORDEMENT

Si la machine reçoit trop d'eau ou s'il y a des fuites sur l'un des composants, la machine le détecte et l'icône « E:01 » clignote sur l'indicateur de programme. Les mesures de sécurité sont actives aussi longtemps que le débordement persiste et la machine tente d'évacuer l'eau. Si le débordement s'interrompt et qu'il n'y a plus de risque en matière de sécurité, l'icône « E:01 » disparaît. L'appareil présente un défaut permanent si cette icône ne disparaît pas. Dans ce cas, il convient de contacter l'agent de maintenance agréé.

7. DÉTERGENT

Vous pouvez utiliser des détergents en poudre, en liquide/gel ou en tablettes dans la machine.



N'utilisez dans la machine que les détergents spécialement conçus pour les lave-vaisselle. Nous vous recommandons de ne pas utiliser de détergents contenant du chlore et du phosphate, car ils sont nocifs pour l'environnement.

7.1 AJOUT DE DÉTERGENT



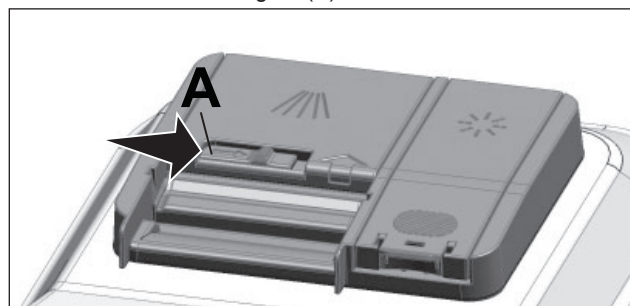
Faites attention aux avertissements sur l'emballage du détergent pour obtenir de meilleurs résultats en matière de lavage et de séchage. Contactez le fabricant du détergent si vous avez d'autres questions.



Ne mettez pas de solvants dans le distributeur de détergent. Une explosion pourrait survenir!

Placez le détergent dans le distributeur de détergent juste avant d'utiliser la machine, comme illustré ci-dessous.

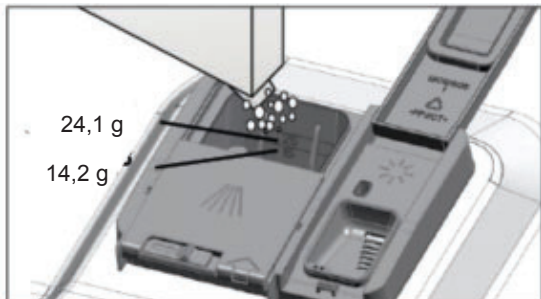
1. Poussez le loquet vers la droite pour ouvrir le couvercle du distributeur de détergent (A).



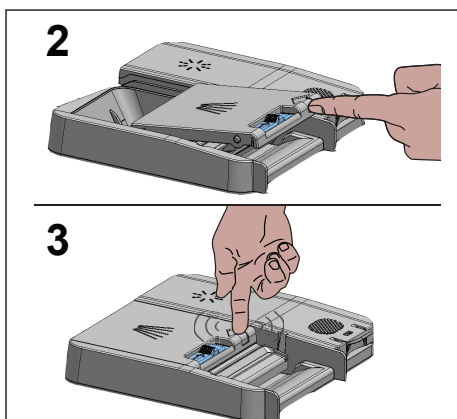
2. Mettez la quantité suggérée de détergent en poudre, en liquide/gel ou en tablette dans le réservoir.



Des repères de niveau à l'intérieur du distributeur de détergent vous aident à utiliser la quantité appropriée de détergent en poudre. Lorsqu'il est plein, le distributeur de détergent contient 1,5 once (42,5 g) de détergent. Mettez du détergent jusqu'au repère de niveau de 0,5 once (14,2 g) ou de 0,85 once (24,1 g) dans le distributeur de détergent en fonction du niveau de remplissage de la machine ou du degré de saleté de la vaisselle. Si vous utilisez du détergent en tablette, une seule suffit.



3. Poussez le couvercle du distributeur de détergent pour le refermer. Vous entendez « clic » lorsque le couvercle est fermé.



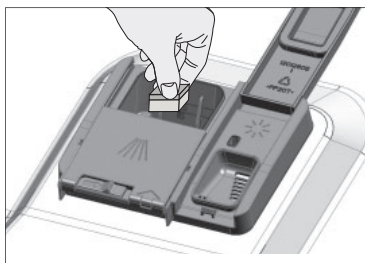
Utilisez du détergent en poudre ou en liquide/gel pour les programmes courts sans pré-lavage, car la solubilité du détergent en tablette varie en fonction de la température et de la durée du programme.

7.2 DÉTERGENTS EN TABLETTES

En plus des détergents en tablettes traditionnels, il existe également dans le commerce des tablettes détergentes qui présentent les effets du sel régénérant ou du produit de rinçage. Certains types de ces détergents contiennent des composants à usage spécial tels que des agents protecteurs de verre et d'acier inoxydable. Ces tablettes ont un effet bénéfique jusqu'à un certain niveau de dureté de l'eau (59 gpg). Le sel régénérant et le produit de rinçage doivent également être utilisés avec le détergent si le niveau de dureté de l'eau est supérieur au niveau indiqué.



L'utilisation de trois produits distincts, à savoir du détergent, du produit de rinçage ainsi que du sel régénérant, permet à votre lave-vaisselle de livrer les meilleures performances en matière de lavage.



Respectez les instructions du fabricant de détergent qui figurent sur l'emballage lorsque vous utilisez des détergents en tablettes.



Contactez le fabricant de détergent si, lorsque vous utilisez un détergent en tablette, votre vaisselle est mouillée ou vous remarquez des taches de calcaire, notamment sur vos verres, à la fin du programme de lavage.

Lorsque vous passez du détergent en tablette au détergent en poudre :

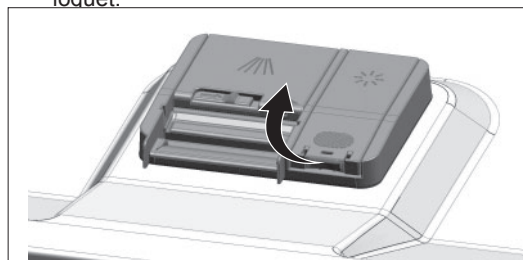
1. Vérifiez que les réservoirs de sel (sur certains modèles) et de produit de rinçage sont pleins.
2. Réglez la dureté de l'eau au plus haut niveau et effectuez un cycle à vide.
3. Après le cycle de lavage à vide, consultez le manuel d'utilisation et modifiez à nouveau le niveau de dureté de l'eau afin de l'adapter à l'eau.
4. Effectuez les réglages appropriés liés au produit de rinçage.

7.3 PRODUIT DE RINÇAGE

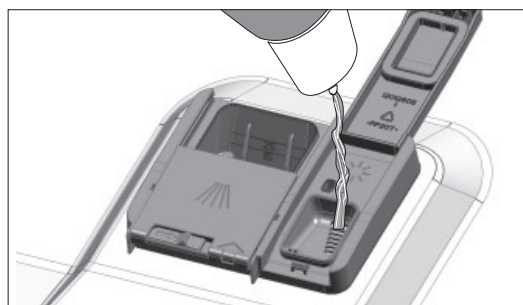


Le produit de rinçage utilisé dans les lave-vaisselle est une solution particulière qui vise à augmenter l'efficacité en matière de séchage et à prévenir les taches d'eau ou de calcaire sur les objets lavés. Pour cette raison, faites attention à ce que le réservoir de produit de rinçage contienne du produit de rinçage et à n'utiliser que des produits de rinçage spécialement conçus pour les lave-vaisselle.

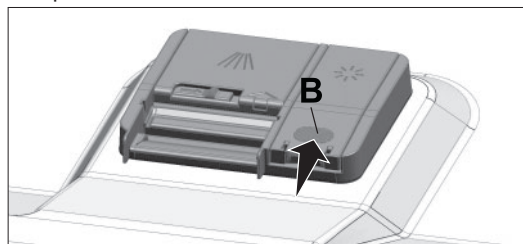
1. Ouvrez le couvercle du réservoir de produit de rinçage à l'aide du loquet.



2. Remplissez le réservoir jusqu'au niveau « MAX » (maximum).



3. Appuyez légèrement sur le point (B) du couvercle du réservoir pour le fermer.



4. En cas de taches sur la vaisselle après le lavage, vous devez augmenter le niveau. En cas de trace bleue après avoir essuyé la vaisselle à la main, vous devez diminuer le niveau. Celui-ci est réglé sur la position 3 en tant que réglage par défaut.



La modification liée au produit de rinçage est décrite dans la partie « Modification de la quantité de produit de rinçage » dans la section relative au fonctionnement de la machine.



Essayez le produit de rinçage déversé à l'extérieur du réservoir. Le produit de rinçage déversé par inadvertance provoque la formation de mousse et contribue à diminuer les performances en matière de lavage.

8. RÉGLAGE DU SYSTÈME D'ADOUCCISSEMENT DE L'EAU

(sur certains modèles)

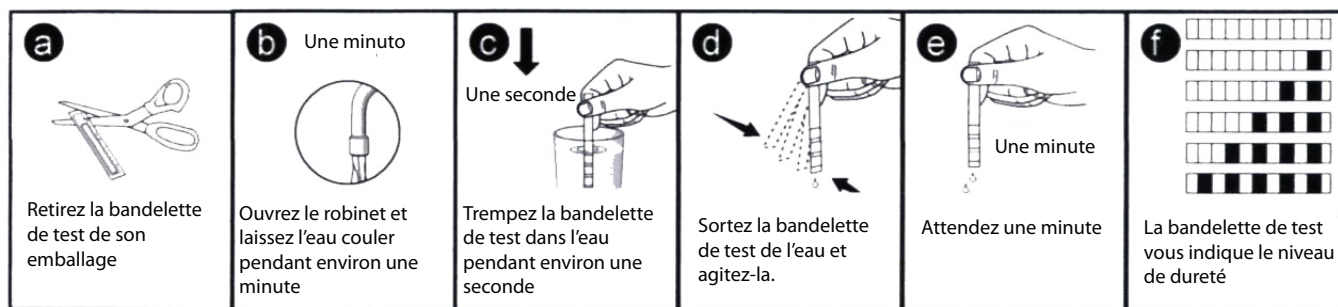
Les performances en matière de nettoyage, de rinçage et de séchage de votre lave-vaisselle augmentent lorsque le système d'adoucissement de l'eau est correctement réglé.

Définissez le nouveau niveau de dureté de l'eau selon les indications en la matière qui figurent dans ce livret.

Utilisez la bandelette de test fournie avec le produit en suivant les étapes ci-dessous pour déterminer le niveau de dureté de l'eau.

Après avoir déterminé le niveau de dureté de l'eau :

1. Mettez votre machine en marche, appuyez sur la touche Menu et maintenez-la enfoncée.
2. Appuyez sur la touche de menu des paramètres pendant 3 secondes pour accéder au menu Paramètres.
3. À l'aide des touches <- et +>, appuyez jusqu'à ce que l'indicateur de réglage de la dureté de l'eau s'allume (la position « r » s'affiche).
4. À l'aide de la touche de sélection, définissez le niveau de dureté de l'eau en fonction de la dureté de l'eau. Pour le régler correctement, consultez le « Tableau de réglage du niveau de dureté de l'eau ».



5. Appuyez sur la touche Menu pour quitter le menu des paramètres. Votre réglage est enregistré automatiquement.

Tableau de définition du niveau de dureté de l'eau

Niveau de dureté	Grains par gallon (gpg)	Dureté de l'eau française °dF	Indicateur de niveau de dureté de l'eau
Niveau 0 	14-0	8-0	Appuyez sur la touche de sélection pour régler le niveau de dureté de l'eau sur la position 1 (r1)
Niveau 1 	22-15	13-9	
Niveau 2 	37-23	22-14	Appuyez sur la touche de sélection pour régler le niveau de dureté de l'eau sur la position 2 (r2)
Niveau 3 	46-38	27-23	Appuyez sur la touche de sélection pour régler le niveau de dureté de l'eau sur la position 3 (r3)
Niveau 4 	58-47	34-28	Appuyez sur la touche de sélection pour régler le niveau de dureté de l'eau sur la position 4 (r4)
Niveau 5 	154-59	90-35	Appuyez sur la touche de sélection pour régler le niveau de dureté de l'eau sur la position 5 (r5)

Si le niveau de dureté de l'eau est supérieur à 154 gpg (grains par gallon) ou si vous utilisez de l'eau de puits, il est recommandé d'utiliser des dispositifs de purification d'eau et des filtres spéciaux.

Si le niveau de dureté de l'eau est inférieur à 22 gpg, il n'est pas nécessaire d'utiliser du sel dans votre lave-vaisselle. Si c'est le cas, le voyant « Sel manquant » (le cas échéant) s'allume en permanence sur le panneau de votre machine.

Si le niveau de dureté de l'eau est défini sur le niveau 1, le voyant « Sel manquant » s'allume en continu, bien qu'il ne soit pas nécessaire d'utiliser de sel. Si vous en utilisez dans ces conditions, la machine ne le consomme pas et le voyant de sel ne s'allume pas.



Si vous emportez votre lave-vaisselle dans une autre maison, il est nécessaire de définir à nouveau le niveau de dureté sur votre machine en tenant compte des informations données ci-dessus et en fonction du niveau de dureté de l'eau de votre nouveau domicile. Votre machine affiche le dernier niveau de dureté de l'eau.

9. REMPLISSAGE DU DISTRIBUTEUR DE SEL DE LAVE-VAISSELLE

(sur certains modèles)

Le système d'adoucissement de l'eau doit être régénéré pour que l'unité offre les mêmes performances en continu. Le sel de lave-vaisselle est utilisé à ces fins.



N'utilisez dans votre machine que du sel régénérant spécialement conçu pour les lave-vaisselle.



Il est recommandé d'utiliser du sel régénérant en granulés ou en poudre dans le système d'adoucissement de l'eau. N'utilisez pas de sel qui ne se dissout pas complètement dans l'eau, tel que le sel de table ou le sel gemme. Sinon, les performances du système peuvent se diminuer avec le temps.

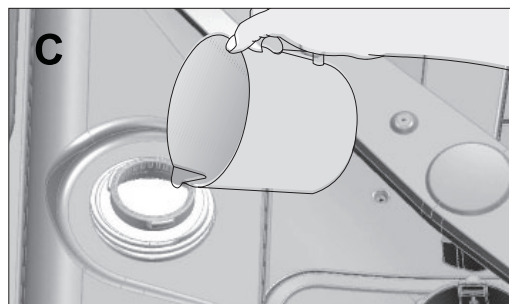


Le réservoir de sel est rempli d'eau lorsque vous démarrez le produit. Pour cette raison, ajoutez du sel avant d'utiliser la machine.

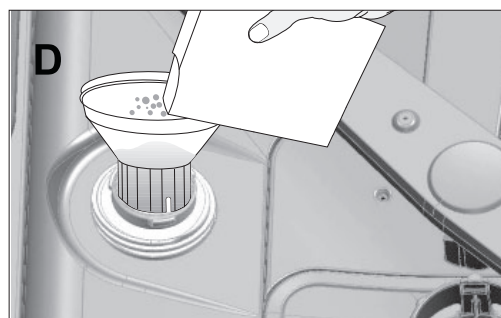
- Sortez le panier inférieur pour ajouter du sel régénérant.
- Tournez le couvercle du réservoir de sel dans le sens antihoraire pour l'ouvrir (A, B).



- Ajoutez 4 tasses d'eau dans le réservoir de sel de votre machine uniquement lors de la première utilisation (C).



- Remplissez le réservoir de sel avec du sel en utilisant l'entonnoir à sel (D). Pour accélérer la vitesse de dissolution du sel dans l'eau, mélangez-le avec une cuillère.



Vous pouvez mettre environ 4,4 livres (2 kg) de sel régénérant dans le réservoir de sel.

- Lorsque le réservoir est plein, remettez le couvercle en place et revissez-le.



Vous devez ajouter du sel juste avant de démarrer la machine. Ainsi, l'eau salée débordante sera rincée immédiatement, évitant ainsi le risque de corrosion dans la machine. Dans les cas où vous ne lanceriez pas un cycle de lavage immédiatement, faites fonctionner votre machine à vide en utilisant le programme le plus court.



Comme les différentes marques de sel sur le marché ont des tailles de particules différentes et que la dureté de l'eau peut varier, la dissolution du sel dans l'eau peut prendre quelques heures. Par conséquent, le voyant de sel reste allumé pendant un certain temps après avoir ajouté du sel dans la machine.

10. ENTRETIEN ET MAINTENANCE



AVERTISSEMENT : Avant de nettoyer l'appareil ou d'en effectuer la maintenance, éteignez-le, coupez l'alimentation électrique et fermez le robinet d'eau.



AVERTISSEMENT : Ne réparez ou ne remplacez aucune pièce du lave-vaisselle et n'essayez pas d'effectuer une quelconque opération d'entretien à moins d'une recommandation spécifique dans ce manuel. Nous vous recommandons de faire réparer le lave-vaisselle que par un agent de maintenance agréé.



ATTENTION : Pour éviter le risque de glissade, veillez à ce que le sol soit propre et sec autour du lave-vaisselle. Protégez votre appareil contre l'accumulation de matériaux combustibles tels que des peluches, des chiffons et des produits chimiques. Si vous n'utilisez pas le lave-vaisselle pendant une longue période, nous vous recommandons de vérifier que les paniers sont vides, de nettoyer l'intérieur du lave-vaisselle, de laisser la porte ouverte pour permettre à l'air de circuler et de couper l'alimentation électrique et l'arrivée d'eau vers le lave-vaisselle.

10.1 ENTRETIEN DE L'EXTÉRIEUR DE VOTRE LAVE-VAISSELLE



ATTENTION : Dommages possibles au lave-vaisselle : Les nettoyants abrasifs, les tampons à récurer, les chiffons abrasifs (essuie-tout) peuvent endommager la porte décorative du lave-vaisselle.

Nettoyage du panneau de commande : Utilisez uniquement un chiffon doux légèrement humidifié avec un détergent doux. Nettoyez le panneau de commande uniquement avec un chiffon humide et de l'eau claire.

Nettoyage des portes colorées : Utilisez uniquement un chiffon doux légèrement humidifié avec un détergent doux.

Nettoyage des portes en acier inoxydable : Utilisez un chiffon doux avec un produit nettoyant pour l'acier inoxydable. Pour de meilleurs résultats, appliquez le produit nettoyant pour acier inoxydable sur un chiffon doux et essuyez la surface dans le sens du grain.

Nettoyage du joint de la porte : Nettoyez régulièrement le joint de la porte avec un chiffon humide pour enlever les particules de nourriture et autres débris. Utilisez un produit nettoyant ménager doux pour l'extérieur et les joints de la porte et rincez abondamment.

10.2 ENTRETIEN DE L'INTÉRIEUR DE VOTRE LAVE-VAISSELLE



REMARQUE : Le nettoyage régulier de votre lave-vaisselle permet de prolonger la durée de vie du produit et de réduire le risque de problèmes récurrents. Coupez toujours l'alimentation de la machine avant de la nettoyer.

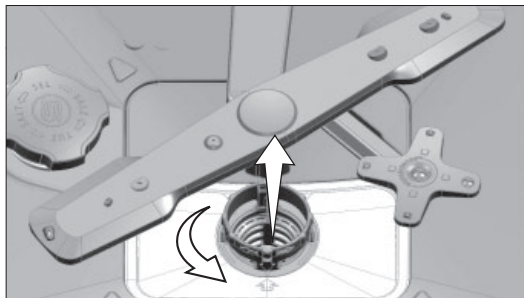


ATTENTION : Lors du nettoyage du dessous du filtre principal, prenez garde au bord extérieur tranchant afin d'éviter tout risque de coupure.

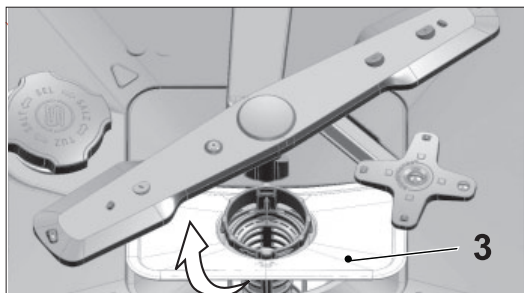
10.3 NETTOYAGE DES FILTRES

Nettoyez les filtres au moins une fois par semaine pour que la machine fonctionne efficacement. Vérifiez qu'il n'y a pas de résidus de nourriture sur les filtres. Si c'est le cas, retirez les filtres et nettoyez-les bien sous l'eau courante.

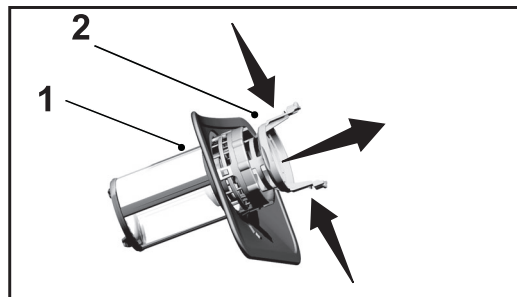
1. Tournez l'ensemble composé du microfiltre (1) et du préfiltre (2) dans le sens antihoraire et tirez vers le haut.



2. Retirez le filtre en métal/plastique (3).



3. Appuyez sur les deux languettes du préfiltre vers l'intérieur et séparez le préfiltre de l'ensemble.



4. Nettoyez les trois filtres sous l'eau du robinet avec une brosse.
5. Remplacez le filtre en métal/plastique.
6. Placez le préfiltre dans le microfiltre. Assurez-vous qu'il est correctement installé. Tournez le préfiltre dans le sens horaire jusqu'à ce que vous entendiez un « clic ».



N'utilisez pas le lave-vaisselle sans filtre.



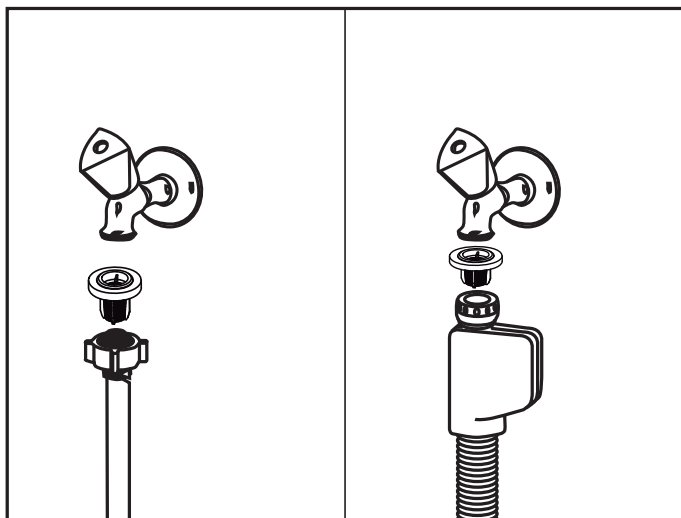
Le lavage est moins efficace si les filtres ne sont pas bien mis en place.

10.4 NETTOYAGE DU FILTRE DE TUYAU

Les dommages sur la machine qui peuvent être causés par des impuretés provenant de l'arrivée d'eau ou de votre propre installation d'eau (sable, saleté, rouille, etc.) peuvent être évités grâce au filtre fixé au tuyau d'arrivée d'eau. Vérifiez régulièrement le filtre et le tuyau et nettoyez-les si nécessaire.

1. Fermez le robinet et retirez le tuyau.
2. Retirez le filtre et nettoyez-le sous l'eau du robinet.
3. Remettez le filtre nettoyé dans son logement sur le tuyau.
4. Raccordez le tuyau au robinet.

(Sur certains modèles)

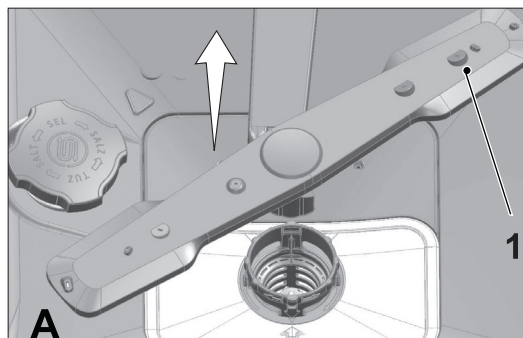


10.5 NETTOYAGE DES BRAS DE LAVAGE

Nettoyez les bras de lavage au moins une fois par semaine pour que la machine fonctionne efficacement.

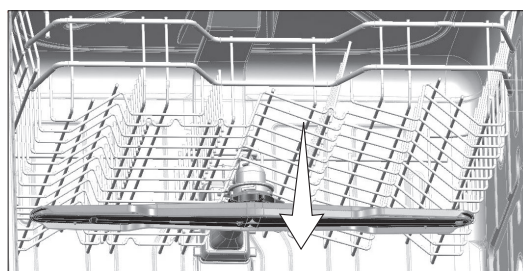
BRAS DE LAVAGE INFÉRIEURS

Vérifiez si les trous des bras de lavage inférieurs (1) sont obstrués. Si c'est le cas, enlevez et nettoyez l'hélice. Tirez les bras de lavage inférieurs vers le haut pour l'enlever.



BRAS DE LAVAGE SUPÉRIEURS

Vérifiez si les trous de l'hélice supérieure (1) sont obstrués. Si c'est le cas, enlevez et nettoyez les bras de lavage. Tournez l'écrou vers la gauche pour retirer les bras de lavage supérieurs. Assurez-vous que l'écrou est bien serré lors de l'installation des bras de lavage supérieurs.



1. DÉPANNAGE

La machine ne démarre pas.

- L'alimentation électrique n'est pas connectée. >>> Vérifiez l'alimentation électrique principale.
- Le disjoncteur s'est déclenché. >>> Vérifiez le disjoncteur dans votre maison.
- L'eau n'entre pas dans la machine. >>> Assurez-vous que le robinet d'arrivée d'eau est ouvert.
- La porte de la machine est ouverte. >>> Assurez-vous d'avoir fermé la porte de la machine.
- Le bouton Marche/Arrêt n'est pas enfoncé. >>> Assurez-vous que vous avez mis la machine marche en appuyant sur le bouton Marche/Arrêt.
- La touche Départ / Pause / Annulation clignote >>> Appuyez sur avant de fermer la porte. Fermez la porte immédiatement après avoir appuyé sur Start

La vaisselle n'est pas bien lavée

- La vaisselle n'est pas rangée correctement dans la machine. >>> Chargez la vaisselle comme décrit dans le manuel d'utilisation.
- Le programme sélectionné n'est pas adapté. >>> Sélectionnez un programme avec une température et une durée de cycle plus élevées.
- Les bras de lavage sont bloqués. >>> Avant de lancer le programme, faites tourner manuellement les bras de lavage inférieurs et supérieurs pour vous assurer qu'ils tournent librement.
- Les trous des bras de lavage sont obstrués. >>> Les trous des bras de lavage inférieurs et supérieurs peuvent être obstrués par de petits débris et particules de nourriture. Nettoyez régulièrement les bras de lavage comme illustré à la section « Nettoyage et entretien ».
- Les filtres sont obstrués. >>> Vérifiez si le système de filtre est propre. Nettoyez le système de filtre régulièrement comme illustré à la section « Nettoyage et entretien ».
- Les filtres sont mal installés. >>> Vérifiez le système de filtre et assurez-vous qu'il est bien installé.
- Les paniers sont surchargés. >>> Ne surchargez pas les paniers au-delà de leur capacité.
- Le détergent est stocké dans des conditions inappropriées. >>> Si vous utilisez un détergent en poudre, ne stockez pas le paquet dans des endroits humides. Gardez-le dans un contenant fermé si possible. Pour faciliter le stockage, nous recommandons les détergents en tablettes.
- Il n'y a pas assez de détergent. >>> Si vous utilisez un détergent en poudre, modifiez-en la quantité en fonction du degré de saleté de la vaisselle ou des définitions de programme. Nous recommandons les détergents en tablettes pour des résultats optimaux.
- Il n'y a pas assez de produit de rinçage. >>> Vérifiez le voyant de produit de rinçage et ajoutez du produit si nécessaire. Augmentez le dosage du produit de rinçage s'il y a suffisamment de produit dans la machine.
- Le couvercle du distributeur de détergent est resté ouvert. >>> Assurez-vous que le couvercle du distributeur de détergent est bien fermé après avoir ajouté du détergent.

La vaisselle n'est pas sèche à la fin du cycle

- La vaisselle n'est pas rangée correctement dans la machine. >>> Positionnez la vaisselle de manière à ce que l'eau ne s'y accumule pas.
- Il n'y a pas assez de produit de rinçage. >>> Vérifiez le voyant de produit de rinçage et ajoutez du produit si nécessaire. Augmentez le dosage du produit de rinçage s'il y a suffisamment de produit dans la machine.
- La machine est déchargée juste après la fin du programme. >>> Ne déchargez pas la machine juste après le processus de lavage. Ouvrez légèrement la porte et attendez que la vapeur s'échappe à l'intérieur de l'unité. Déchargez la vaisselle après qu'elle a refroidi à une température qui vous permet de la toucher. Commencez par décharger le panier inférieur pour empêcher que l'eau qui se trouve sur la vaisselle du panier supérieur goutte sur celle du panier inférieur.
- Le programme sélectionné n'est pas adapté. >>> Comme la température de rinçage est basse lors des programmes courts, les performances sont également faibles en matière de séchage. Sélectionnez le programme avec d'une durée plus longue pour de meilleures performances en matière de séchage.
- La qualité de la surface des ustensiles de cuisine est détériorée. >>> Il est impossible d'obtenir les performances souhaitées en matière de lavage pour des ustensiles de cuisine dont les surfaces sont détériorées et il n'est pas approprié d'utiliser de tels ustensiles en termes d'hygiène. En outre, l'eau ne peut pas circuler facilement sur des surfaces détériorées. Il n'est pas recommandé de laver ces ustensiles de cuisine au lave-vaisselle.



Il est normal que les ustensiles de cuisine à surface antiadhésive ne sèchent pas parfaitement. Cela est dû à la structure antiadhésive. Comme les tensions superficielles de l'antiadhésif et de l'eau sont différentes, les gouttelettes d'eau restent comme des perles sur la surface antiadhésive.

Taches sur la vaisselle lorsque le cycle est terminé

- Le programme sélectionné n'est pas adapté. >>> Sélectionnez un programme avec une température et une durée de cycle plus élevées.
- La qualité de surface des ustensiles de cuisine est détériorée. >>> Les taches de thé et de café ou autres taches de couleur ne peuvent pas être nettoyées au lave-vaisselle lorsqu'elles ont pénétré dans des surfaces détériorées. Il est impossible d'obtenir les performances souhaitées en matière de lavage pour des ustensiles de cuisine dont les surfaces sont détériorées et il n'est pas approprié d'utiliser de tels ustensiles en termes d'hygiène. Il n'est pas recommandé de laver ces ustensiles de cuisine au lave-vaisselle.
- Le détergent est stocké dans des conditions inappropriées. >>> Si vous utilisez un détergent en poudre, ne stockez pas le paquet dans des endroits humides. Gardez-le dans un contenant fermé si possible. Pour faciliter le stockage, nous recommandons les détergents en tablettes.

Des traces de calcaire restent sur la vaisselle et les verres deviennent troubles

- Il n'y a pas assez de produit de rinçage. >>> Vérifiez le voyant de produit de rinçage et ajoutez du produit si nécessaire. Augmentez le dosage du produit de rinçage s'il y a suffisamment de produit dans la machine.
- Le réglage de la dureté de l'eau est faible ou il n'y a pas assez de sel >>> Mesurez la dureté de l'eau de manière appropriée et vérifiez-en le réglage.
- Du sel s'est répandu dans la machine. >>> Faites attention de ne pas déverser de sel autour de l'orifice de remplissage de sel en ajoutant du sel. Assurez-vous que le couvercle du réservoir de sel est bien fermé une fois le processus de remplissage terminé. Exécutez le programme Rinçage et attendez pour éliminer le sel qui s'est répandu à l'intérieur de la machine. Comme les granulés de sel qui restent sous le couvercle se dissolvent lors de l'exécution du programme Rinçage et attente, provoquant le desserrage du couvercle, vérifiez à nouveau ce dernier à la fin du programme.

La machine dégage une odeur différente



Une nouvelle machine a une odeur particulière. Elle disparaît après quelques lavages.

- Les filtres sont obstrués. >>> Vérifiez si le système de filtre est propre. Nettoyez le système de filtre régulièrement comme illustré à la section « Nettoyage et entretien ».
- De la vaisselle sale est stockée au lave-vaisselle pendant 2 à 3 jours. >>> Si vous ne prévoyez pas de lancer la machine juste après avoir mis la vaisselle, retirez les restes de cette dernière et lancez le programme Rinçage et attente tous les 2 jours sans mettre de détergent. Dans ce cas, ne fermez pas complètement la porte de la machine afin d'éviter l'accumulation d'odeurs dans la machine. Vous pouvez également utiliser des désodorisants ou des produits nettoyants pour machines disponibles dans le commerce.

La vaisselle rouille ou se décolore ou sa surface se détériore

- Du sel s'est répandu dans la machine. >>> Le sel peut provoquer une détérioration et une oxydation sur les surfaces métalliques. Faites attention de ne pas déverser de sel autour de l'orifice de remplissage de sel en ajoutant du sel. Assurez-vous que le couvercle du réservoir de sel est bien fermé une fois le processus de remplissage terminé. Exécutez le programme Rinçage et attente pour éliminer le sel qui s'est répandu à l'intérieur de la machine. Comme les granulés de sel qui restent sous le couvercle se dissolvent lors de l'exécution du programme Rinçage et attente, provoquant le desserrage du couvercle, vérifiez à nouveau le couvercle à la fin du programme.
- Des restes d'aliments salés sont restés longtemps sur la vaisselle. >>> Si vous laissez de l'argenterie salie avec de tels aliments en attente dans la machine, vous devez enlever les particules de nourriture en effectuant un pré-lavage ou vous devez laver la vaisselle sans attendre.
- L'installation électrique n'est pas mise à la terre. >>> Vérifiez si votre machine est branchée à la ligne de mise à la terre à proprement parler. Sinon, l'électricité statique créée dans le produit provoque des arcs à la surface des objets métalliques créant des pores, enlevant le revêtement de protection de la surface et provoquant une décoloration.
- Des nettoyants intensifs tels que des solutions d'hypochlorite sodique sont utilisés. >>> Le revêtement de protection sur les surfaces métalliques est endommagé et perd de son efficacité lorsqu'il entre en contact avec des nettoyants tels que l'eau de Javel. Ne lavez pas la vaisselle avec de l'eau de Javel.
- Les objets en métal, en particulier les couteaux, sont utilisés à d'autres fins que celles prévues. >>> Le revêtement de protection sur la lame des couteaux peut être endommagé lorsqu'ils sont utilisés à des fins telles que l'ouverture des boîtes de conserve. N'utilisez pas d'ustensiles de cuisine en métal en dehors de leur utilisation prévue.
- L'argenterie est faite d'acier inoxydable de basse qualité. >>> La corrosion sur de tels objets est inévitable. Vous ne devez pas les laver au lave-vaisselle.
- Les ustensiles de cuisine qui sont déjà corrodés sont lavés au lave-vaisselle. >>> La rouille sur un objet corrodé peut migrer vers d'autres surfaces en acier inoxydable et provoquer de la corrosion sur ces surfaces. Vous ne devez pas laver ces objets au lave-vaisselle.

Le détergent reste dans le distributeur de détergent.

- Le distributeur de détergent était humide lors de l'ajout de détergent. >>> Assurez-vous que le distributeur de détergent est bien séché avant de le remplir de détergent.
- Le détergent est ajouté longtemps avant le processus de lavage. >>> Faites attention à ajouter du détergent peu de temps avant le début du lavage.
- Le couvercle du distributeur de détergent ne s'ouvre pas pendant le lavage. >>> Rangez la vaisselle d'une manière qui n'empêche pas l'ouverture du couvercle du distributeur de détergent et l'arrivée de l'eau dans la machine par les hélices.
- Le détergent est stocké dans des conditions inappropriées. >>> Si vous utilisez un détergent en poudre, ne stockez pas le paquet dans des endroits humides. Gardez-le dans un contenant fermé si possible. Pour faciliter le stockage, nous vous recommandons d'utiliser des détergents en tablettes.
- Les trous des bras de lavage sont obstrués. >>> Les trous des bras de lavage inférieurs et supérieurs peuvent être obstrués par des restes d'aliments. Nettoyez régulièrement le bras de lavage comme illustré à la section « Nettoyage et entretien ».

La décoration et les ornements des ustensiles de cuisine s'effacent.



Les objets en porcelaine lustrée et les verres décorés ne sont pas adaptés pour être lavés au lave-vaisselle. Les fabricants de verres et d'articles de vaisselle de table en porcelaine ne recommandent pas non plus de laver ces ustensiles de cuisine au lave-vaisselle.

La vaisselle est rayée.



Vous ne devez pas laver les ustensiles de cuisine en aluminium, ou qui en contiennent, au lave-vaisselle.

- Du sel s'est répandu dans la machine. >>> Faites attention de ne pas déverser de sel autour de l'orifice de remplissage de sel en ajoutant du sel. Le sel déverser peut être à l'origine de rayures. Assurez-vous que le couvercle du réservoir de sel est bien fermé une fois le processus de remplissage terminé. Exécutez le programme Rinçage et attente pour éliminer le sel qui s'est répandu à l'intérieur de la machine. Comme les granulés de sel qui restent sous le couvercle se dissolvent lors de l'exécution du programme Rinçage et attente, provoquant le desserrage du couvercle, vérifiez à nouveau ce dernier à la fin du programme.
- Le réglage de la dureté de l'eau est faible ou il n'y a pas assez de sel >>> Mesurez la dureté de l'eau de manière appropriée et vérifiez-en le réglage.
- La vaisselle n'est pas rangée correctement dans la machine. >>> Lorsque vous rangez les verres et autres objets en verre dans le panier, ne les appuyez pas contre les autres plats, mais sur les bords ou les supports du panier ou sur le support à verres. La surface des verres peut s'ébrécher ou se rayer s'ils se heurtent ou s'ils sont cognés contre d'autres plats à cause de l'impact de l'eau pendant le lavage.

Les verres sont marqués d'une trace qui ressemble à une tache de lait qu'on ne peut pas enlever lorsqu'on l'essuie à la main. Lorsqu'on met le verre à la lumière, il a une apparence bleutée ou de type arc-en-ciel.

- Une trop grande quantité de produit de rinçage est utilisée. >>> Réglage inférieur de la quantité du produit de rinçage. Nettoyez le produit de rinçage déversé lors de son ajout.
- Le verre est corrodé à cause de l'eau adoucie. >>> Mesurez la dureté de l'eau de manière appropriée et vérifiez-en le réglage. Si votre eau est douce (< 15 gpg), n'utilisez pas de sel. Choisissez des programmes qui lavent à des températures plus élevées (140 à 149 degrés Fahrenheit, 60 à 65 degrés Celsius). Vous pouvez également utiliser des détergents avec agent protecteur de verre disponibles dans le commerce.

De la mousse se forme dans la machine.

- La vaisselle est lavée à la main avec un détergent pour le lavage à la main, mais elle n'est pas rincée avant d'être rangée dans la machine. >>> Les détergents pour le lavage à la main ne contiennent pas d'antimousse. Il n'est pas nécessaire de laver la vaisselle à la main avant de la ranger dans la machine. Enlevez les salissures grossières de la vaisselle sous l'eau du robinet, avec une éponge ou un chiffon.
- Du produit de rinçage s'est répandu dans la machine lors de son ajout. >>> Veillez à ne pas renverser de produit de rinçage dans la machine lorsque vous la remplissez. Nettoyez tout résidu de produit de rinçage à l'aide d'un papier absorbant ou d'un chiffon.
- Le couvercle du réservoir de produit de rinçage reste ouvert. >>> Assurez-vous que le couvercle du réservoir de produit de rinçage est fermé après l'ajout du produit.

Les ustensiles de cuisine sont cassés.

- La vaisselle n'est pas rangée correctement dans la machine. >>> Chargez la vaisselle comme décrit dans le manuel d'utilisation.
- Les paniers sont surchargés. >>> Ne surchargez pas les paniers au-delà de leur capacité.

De l'eau reste dans le lave-vaisselle à la fin du programme.

- Les filtres sont obstrués. >>> Vérifiez si le système de filtre est propre. Nettoyez le système de filtre régulièrement comme illustré à la section « Nettoyage et entretien ».
- Le tuyau d'évacuation est obstrué/bloqué. >>> Vérifiez le tuyau d'évacuation. Si nécessaire, retirez le tuyau d'évacuation, dégagez le bouchon et réinsérez le tuyau comme illustré dans le manuel d'utilisation.



Si vous ne parvenez pas à résoudre le problème bien que vous suiviez les instructions de cette section, consultez votre revendeur ou l'agent de maintenance agréé. N'essayez jamais de réparer vous-même un produit non fonctionnel.

12. CARACTÉRISTIQUES TECHNIQUES

Capacité de charge	
Pression d'eau autorisée	4,35-145 psi (0,3-10 bars)
Raccordement électrique	120 V (volts), 12 A (ampères), 60 Hz (hertz)
Puissance totale	1 400 W (watts)
Puissance du système de chauffage	1 100 W (watts)



REMARQUE : Comme nous nous efforçons continuellement d'améliorer nos produits, nous pouvons changer les caractéristiques et la conception sans préavis.

Cet appareil correspond aux directives suivantes :

Directive UL 749 s'appliquant aux lave-vaisselle à usage domestique.

INFORMATIONS SUR L'ENTRETIEN

Si un entretien est nécessaire, contactez un centre de réparation agréé.

Préparez les informations suivantes de manière à ce qu'elles soient facilement disponibles.

- Numéro de modèle
- Numéro de série
- Date d'achat
- Nom du revendeur chez qui vous avez acheté l'appareil

Décrivez clairement votre problème. Si vous n'arrivez pas à obtenir le nom d'un centre de réparation agréé, ou, si les problèmes d'entretien persistent, contactez Viking Range, LLC au 1 888 845-4641, ou écrivez à :

VIKING RANGE, LLC
PREFERRED SERVICE
111 Front Street
Greenwood, Mississippi 38930 É.-U.

Veillez conserver les informations ci-dessous. Elles vous seront nécessaires en cas d'entretien. Les numéros de modèle et de série se trouvent sur une étiquette d'identification située sur le côté gauche du réservoir. Pour y accéder, il vous suffit d'ouvrir la porte du lave-vaisselle.

N° de modèle _____ N° de série _____

Date d'achat _____ Date d'installation _____

Nom du revendeur _____

Adresse _____

Si l'entretien nécessite l'installation de pièces, utilisez uniquement des pièces autorisées pour être couvert par la garantie.

Conservez ce manuel pour référence ultérieure.

GARANTIE

GARANTIE COMPLÈTE DE DEUX ANS

Les lave-vaisselles autonomes et toutes leurs pièces, à l'exception de ce qui est détaillé ci-dessous*, sont garanties contre tout défaut de matériaux ou de fabrication en utilisation résidentielle normale pendant de deux (2) ans à partir de la date d'achat d'origine. Le garant, Viking Range, LLC, réparera ou remplacera, à sa discrétion, toute pièce en panne ou défectueuse pendant la période de garantie.

***GARANTIE ESTHÉTIQUE COMPLÈTE DE QUATRE-VINGT-DIX (90) JOURS :** Le produit est garanti contre tout défaut esthétique de matériaux ou de fabrication (tel que des rayures sur l'acier inoxydable, des taches sur la peinture/porcelaine, etc.) pour une période de quatrevingt-dix (90) jours à partir de la date d'achat d'origine ou la date de clôture pour une construction neuve, la période la plus longue étant à retenir. Tout défaut doit être signalé au revendeur dans les quatre-vingt-dix (90) jours suivant la date d'achat d'origine. Viking Range, LLC utilise des processus et des matériaux de haute qualité pour réaliser les finitions de couleur. Cependant, une légère variation de couleur peut être remarquée à cause des différences inhérentes aux pièces peintes et en porcelaine ainsi que des différences liées à l'éclairage de la cuisine, à l'emplacement du produit et à d'autres facteurs. Par conséquent, cette garantie ne s'applique pas aux variations de couleur liées à ces facteurs.

***Résidentiel Plus 90 jours:** les produits Viking sont conçus et certifiés pour un usage résidentiel uniquement. Ils ne sont pas destinés à être utilisés dans des applications commerciales. Les produits Viking ne doivent être utilisés que conformément aux codes nationaux et locaux. Viking n'est pas responsable des dommages matériels ou des blessures résultant de l'utilisation dans une application commerciale. Pour soutenir la qualité de fabrication de son appareil, Viking fournira une garantie complète de 90 jours pour les produits utilisés dans les applications «Résidentiel Plus». Cette garantie «Résidentiel Plus» s'applique aux applications où l'utilisation du produit va au-delà de l'utilisation résidentielle mais est conforme aux codes nationaux et locaux. Dans certaines juridictions, ces demandes sont zonées comme résidentielles. Des exemples, mais sans s'y limiter, de telles applications couvertes par cette garantie sont les chambres d'hôtes, les casernes de pompiers, les clubs privés, les églises, les espaces communs de copropriété / appartement, etc. En vertu de cette garantie "Résidentiel Plus", le produit, ses composants et accessoires sont garanti exempt de matériel ou de fabrication défectueux pendant une période de quatre-vingt-dix (90) jours à compter de la date d'achat au détail d'origine. Viking Range, LLC, garant, accepte de réparer ou de remplacer, à sa discrétion, toute pièce défectueuse ou jugée défectueuse pendant la période de garantie. Cette garantie couvre les pièces et la main-d'œuvre. Cette garantie exclut l'utilisation du produit dans tous les emplacements commerciaux tels que les restaurants, les établissements de restauration et les établissements de restauration institutionnels.

CINQ ANS DE GARANTIE LIMITÉE SUR LES PANIERS EN NYLON, LES COMMANDES ÉLECTRONIQUES, LES DISPOSITIFS MOTEUR/POMPE ET LES PIÈCES DU CIRCUIT DE DISTRIBUTION D'EAU

Tout panier supérieur et/ou inférieur en nylon qui connaît une défaillance en raison de matériaux défectueux ou de vices de fabrication lors d'une utilisation domestique normale durant les trois premières années jusqu'à la cinquième année à compter de la date d'achat d'origine sera réparé ou remplacé, gratuitement pour ce qui est de la pièce elle-même, le propriétaire prenant en charge tous les autres coûts, notamment la main-d'œuvre. Tout ensemble moteur/pompe ou pièce du circuit de distribution d'eau indiqué ci-dessus, qui connaît une défaillance en raison de matériaux défectueux ou de vices de fabrication lors d'une utilisation domestique normale durant la quatrième année jusqu'à la cinquième année à compter de la date d'achat d'origine sera réparé ou remplacé, gratuitement pour ce qui est de la pièce elle-même, le propriétaire prenant en charge tous les autres coûts, notamment la main-d'œuvre.

Ensemble moteur/pompe ou pièces du circuit de distribution d'eau :

Moteur/pompe de circulation	Bras de lavage inférieur
Moteur/pompe de vidange	Robinet de remplissage
Bras de lavage supérieur	Fossé d'évacuation

CONDITIONS GÉNÉRALES DE LA GARANTIE

La présente garantie s'étend à l'acheteur initial du produit garanti en vertu des présentes et à chaque cessionnaire propriétaire du produit pendant la durée de la garantie. La garantie ne peut être cédée par l'acheteur initial qu'avec la vente de la maison. Si le cessionnaire propriétaire n'est pas en mesure de fournir une preuve d'achat provenant de l'acheteur initial et que le produit n'a pas été précédemment enregistré, la date de fabrication du produit, figurant dans le numéro de série sur le produit, servira de date de début de garantie effective.

La date d'entrée en vigueur de la garantie commence à la date de l'achat initial. Dans le cas de l'achat de nouveaux produits par le biais de ventes effectuées dans le cadre d'un projet de construction, l'entrée en vigueur de la garantie commence à la date rapprochée du certificat d'occupation ou à 24 mois à compter de la date de fabrication. À noter que la date de fabrication est indiquée sur l'étiquette du numéro de série sur le produit.

La présente garantie ne couvre pas les appareils achetés parmi les produits du stock obsolète, dans le cadre de liquidation, de récupération, ou les produits de second choix, remis en état, tels quels, et usagés.

Cette garantie s'applique aux produits achetés aux États-Unis et au Canada. Les produits doivent avoir été achetés dans le pays où l'entretien est demandé. Le service sous garantie doit être effectué par une agence ou un représentant agréés par Viking Range LLC. La garantie ne s'applique pas aux dommages causés par une utilisation abusive, un accident, une catastrophe naturelle, une perte d'alimentation électrique du produit pour quelque raison que ce soit, une modification, une mauvaise installation, une utilisation incorrecte, ou par une réparation du produit effectuée par un autre intervenant autre qu'une agence d'entretien ou un représentant agréés par Viking Range LLC. Cette garantie ne s'applique pas à un usage commercial. Le garant ne saura être tenu responsable des dommages fortuits ou consécutifs résultant d'une violation de la garantie, d'une rupture de contrat ou autre. Certaines juridictions n'autorisent pas l'exclusion ou la limitation des dommages fortuits ou consécutifs, de sorte que les limitations ci-dessus ne s'appliquent pas à votre cas.

Le propriétaire est responsable de l'installation adéquate, de la maintenance et de l'entretien, de la preuve d'achat sur demande et de l'accessibilité raisonnable à l'appareil pour l'entretien. Si le produit ou l'un de ses composants présente un défaut ou un dysfonctionnement pendant toute la période de garantie après un nombre raisonnable de tentatives par le fournisseur pour remédier aux défauts ou aux dysfonctionnements, le propriétaire a droit à un remboursement ou un remplacement du produit ou de ses composants ou ses pièces détachées, à l'entière discrétion du garant. La responsabilité du garant liée à toute réclamation de quelque nature que ce soit, en ce qui a trait aux produits ou services couverts par les présentes, ne saura en aucun cas dépasser le prix des produits ou services ou une partie de ceux-ci faisant l'objet de la réclamation.

SERVICE DE GARANTIE

Conformément aux conditions générales de la présente garantie, l'entretien doit être effectué par un agent d'entretien ou un représentant agréés par Viking Range LLC. L'entretien sera assuré pendant les heures normales d'ouverture, et la main-d'œuvre effectuée en heures supplémentaires ou au tarif majoré ne sera pas couverte par la garantie. Pour bénéficier d'un service prévu par la garantie, contactez le service à la clientèle de Viking Range LLC au 1-888-845-4641. Veuillez vous munir du numéro de modèle, du numéro de série et de la date de l'achat initial lors de l'appel. IMPORTANT : conservez la preuve de l'achat initial pour justifier de la période de garantie. Le retour de la fiche d'inscription du propriétaire n'est pas une condition de garantie. Cependant, vous devez retourner la fiche d'inscription du propriétaire afin que Viking Range LLC puisse vous contacter en cas de problème de sécurité qui pourrait vous affecter. Toute garantie implicite de qualité marchande ou d'aptitude applicable aux ensembles brûleur, brûleurs pour brûler à infrarouge, grilles de gril, et aux parties en acier inoxydable mentionnés ci-dessus est limitée dans le temps à la période de couverture des garanties limitées expressément écrites applicables susmentionnées. Certaines juridictions n'autorisent pas les limitations sur la durée d'une garantie implicite, de sorte que les limitations ci-dessus peuvent ne pas être applicables dans votre cas. La présente garantie vous donne des droits légaux spécifiques, et vous pouvez également avoir d'autres droits qui peuvent varier d'une juridiction à l'autre.

Spécifications modifiables sans préavis.avis.

Viking Range, LLC
Front Street 111
.Greenwood, Mississippi 38930 É.-U
(662)455-1200

Pour plus d'informations sur les produits, appelez le 1 888 845-4641 ou visitez notre site Web
à l'adresse vikingrange.com

Manual de USO Y CUIDADO



SERIES 3 y 5

VDWU524SS
VDWU524WSSS
FDWU524WS
FDWU524
VDWU324SS
FDWU324

Para evitar accidentes, que pueden causar lesiones graves o la muerte, así como daños a la máquina, lea estas instrucciones antes de la instalación o el uso.

INTRODUCCIÓN

Lea este manual del usuario y especialmente las instrucciones de seguridad completa y cuidadosamente. Le ahorrarán tiempo y esfuerzo, y ayudarán a garantizar un rendimiento óptimo del lavavajillas.

CONTENIDOS

1. INSTRUCCIONES DE SEGURIDAD IMPORTANTES	1
2. RECICLAJE	4
3. CONOZCA SU LAVAVAJILLAS	5
4. CARGA DEL LAVAVAJILLAS	6
4.1 REJILLA SUPERIOR	8
4.2 REJILLA INFERIOR	9
4.3 CARGA ADECUADA E INADECUADA DE LA VAJILLA	11
5. LO QUE NO SE DEBE LAVAR EN EL LAVAVAJILLAS	12
OPERACIÓN DEL PRODUCTO	12
TECLA DE SELECCIÓN DE PROGRAMA/CANCELACIÓN DE PROGRAMA	13
TECLAS DE FUNCIÓN	13
PREPARACIÓN DE LA MÁQUINA	13
SELECCIÓN DE PROGRAMA	13
TECLA DE SELECCIÓN DE PROGRAMA/CANCELACIÓN DE PROGRAMA	14
TECLAS DE FUNCIÓN	15
PREPARACIÓN DE LA MÁQUINA	15
SELECCIÓN DE PROGRAMA	15
6.4 FUNCIONES AUXILIARES	19
6.5 PROGRAMACIÓN DEL TIEMPO DE LAVADO	20
6.6 INICIO DEL PROGRAMA	20
6.7 CANCELACIÓN DEL PROGRAMA	21
6.8 INDICADOR DE SAL (S)	21
6.9 INDICADOR DE ABRILLANTADOR (☀)	21
6.10 FIN DEL PROGRAMA	21
6.11 ADVERTENCIA DE CORTE DE AGUA	21
6.12 ADVERTENCIA DE DESBORDAMIENTO	21
7. DETERGENTE	22
7.1 ADICIÓN DE DETERGENTE	22
7.2 DETERGENTES EN TABLETAS	22
7.3 ABRILLANTADOR	22
8. AJUSTE DEL SISTEMA DE ABLANDAMIENTO DE AGUA	23
9. LLENADO DEL DISPENSADOR DE SAL DEL LAVAVAJILLAS	24
10. CUIDADO Y MANTENIMIENTO	24
10.1 CUIDADO DEL EXTERIOR DE SU LAVAVAJILLAS	25
10.2 CUIDADO DEL INTERIOR DE SU LAVAVAJILLAS	25
10.3 LIMPIEZA DE LOS FILTROS	25
10.4 LIMPIEZA DEL FILTRO DE LA MANGUERA	26
10.5 LIMPIEZA DE LOS BRAZOS DE LAVADO	26
11. SOLUCIÓN DE PROBLEMAS	27
12. CARACTERÍSTICAS TÉCNICAS	29
INFORMACIÓN DE SERVICIO	30

Asegúrese de observar todas las advertencias y precauciones de la lista. Busque particularmente los íconos con signos de exclamación dentro. El ícono de información también proporcionará referencias importantes.

	ADVERTENCIA: Indica una situación potencialmente peligrosa que, si no se evita, podría provocar la muerte o lesiones graves.
	PRECAUCIÓN: Indica una situación potencialmente peligrosa que, si no se evita, puede provocar lesiones. También se puede usar para alertar sobre prácticas inseguras.
	AVISO: Indica una situación potencialmente peligrosa que, si no se evita, puede dañar el lavavajillas, la vajilla, el equipo o el medio ambiente.

1. INSTRUCCIONES DE SEGURIDAD IMPORTANTES

	ADVERTENCIA: Cuando use el lavavajillas, siga las precauciones básicas, que incluyen lo siguiente: ¡Lea todas las instrucciones antes de utilizar el lavavajillas! Guarde estas instrucciones de operación y páselas a cualquier usuario futuro.
	"Este dispositivo cumple con la Sección 15 de las Normas de la FCC. El funcionamiento está sujeto a las siguientes dos condiciones: (1) este dispositivo no puede causar interferencia dañina, y (2) este dispositivo debe aceptar cualquier interferencia recibida, incluidas las interferencias que puedan causar un funcionamiento no deseado". "No se realizarán cambios en el equipo sin el permiso del fabricante ya que esto puede anular la garantía".

- Use el lavavajillas solo para su propósito previsto como se describe en este manual del usuario. Este electrodoméstico está diseñado solo para uso doméstico normal.
- **El fabricante no se responsabiliza por daños o lesiones causados por el uso indebido de este electrodoméstico.**
- La información en este manual del usuario se debe seguir para minimizar el riesgo de incendio o explosión, y para evitar daños a la propiedad, lesiones personales o la pérdida de vida.
- No opere su lavavajillas a menos que todos los paneles del recinto estén colocados correctamente.
- No altere los controles.
- No hacer mal uso, sentarse o pararse en o sobre la puerta o el escurridor del lavavajillas.
- Los portavasos están diseñados para sostener tazas, vasos y utensilios de cocina. Cuando los portavasos estén en el lavavajillas, no se apoye ni use los portavasos para sostener su peso corporal.
- Para reducir el riesgo de lesiones, no permita que los niños jueguen en, sobre o cerca del lavavajillas.
- Use solo detergentes o abrillantadores recomendados para usar en un lavavajillas doméstico y manténgalos en

un lugar seco fuera del alcance de los niños. Verifique que el dispensador de detergente esté vacío después de completar cada programa de lavado.

- Los detergentes para lavavajillas contienen sustancias químicas que pueden causar enfermedades; pueden causarlas si se inhalan o se ingieren. Además, tenga cuidado al abrir la puerta debido al vapor caliente que se produce durante el funcionamiento. Consulte a un médico inmediatamente si se ha ingerido o inhalado el detergente.
- Si no se ha usado el agua caliente en varias semanas, recomendamos utilizar los grifos de agua caliente para eliminar los gases de hidrógeno acumulados.
- No almacene ni use líquidos o vapores inflamables en el área del lavavajillas.
- Cuando cargue artículos para lavar, coloque los artículos afilados de modo que no dañen el sello de la puerta y cargue los cuchillos afilados con los mangos hacia arriba para reducir el riesgo de lesiones por cortes.
- No lave artículos de plástico a menos que estén marcados como "aptos para lavavajillas" o su equivalente. Para los artículos de plástico que no estén marcados así, verifique las recomendaciones del fabricante.
- Si se produce un mal funcionamiento, apague el electrodoméstico y cierre el suministro de agua al lavavajillas.
- Para evitar posibles lesiones, no intente transportar el lavavajillas usted solo. Se necesitan dos o más personas para mover un lavavajillas.
- Antes de limpiar o llevar a cabo el mantenimiento, apague el electrodoméstico, desconecte el enchufe y cierre el suministro de agua.
- Las reparaciones y modificaciones técnicas deben ser realizadas exclusivamente por un técnico autorizado.
- Si el lavavajillas no se usa durante un período prolongado (es decir, una casa para vacaciones), recomendamos retirar todos los artículos del lavavajillas, dejar la puerta ligeramente abierta para permitir que el aire circule y desconectar la alimentación y el suministro de agua al lavavajillas.
- Este electrodoméstico viene con un cable de alimentación NEMA 5-15P 15A de tres puntas. Debe estar conectado a un receptáculo de pared con conexión a tierra y polarizado que haya sido instalado y probado por un electricista con licencia y que haya sido instalado de acuerdo con todos los códigos eléctricos locales, estatales y federales.

	ADVERTENCIA: La conexión incorrecta del conductor de puesta a tierra del equipo puede provocar un riesgo de descarga eléctrica. Consulte con un electricista o representante de servicio calificado si tiene dudas sobre si el electrodoméstico está correctamente conectado a tierra. No modifique el enchufe provisto con el electrodoméstico, si no encaja en el tomacorriente, haga que un electricista calificado instale un tomacorriente adecuado.
--	--

- Este electrodoméstico produce ozono dentro del compartimento de lavado durante el funcionamiento normal. La exposición a largo plazo al ozono o la exposición a niveles elevados puede provocar problemas respiratorios, especialmente en ancianos y niños.
- Los niños no deben operar esta máquina sin la supervisión de un adulto.
- Tenga cuidado de no dejar la puerta completamente abierta cuando no esté cargado o descargado para evitar que alguien se tropiece con la unidad.



ADVERTENCIA: Si su lavavajillas está equipado con iluminación interna, la lámpara solo debe ser reemplazada por el agente de servicio autorizado en caso de fallas que puedan ocurrir en la lámpara.



ADVERTENCIA: Este producto puede exponerlo a productos químicos, incluido el níquel (metálico) que, según el Estado de California, causa cáncer.

Para obtener más información, vaya a www.P65Warnings.ca.gov

Nota: El níquel es un componente en todo acero inoxidable y algunos otros componentes metálicos.

GUARDE ESTAS INSTRUCCIONES

- El servicio debe ser realizado por un instalador calificado. El trabajo realizado por personas no calificadas podría ser peligroso y puede anular la garantía.
- No opere el electrodoméstico si está dañado, si no funciona bien, si está parcialmente desmontado, si le faltan partes o tiene partes rotas.
- Antes de la instalación o el servicio, desconecte la fuente de alimentación al área de trabajo desenchufando la unidad, accionando el interruptor o quitando el fusible.
- Por razones de seguridad, el lavavajillas debe asegurarse a gabinetes adyacentes utilizando los soportes provistos. De lo contrario, puede causar daños a la propiedad o lesiones corporales.
- No use ningún cable de extensión o dispositivo de salida portátil para conectar el lavavajillas a una fuente de alimentación.

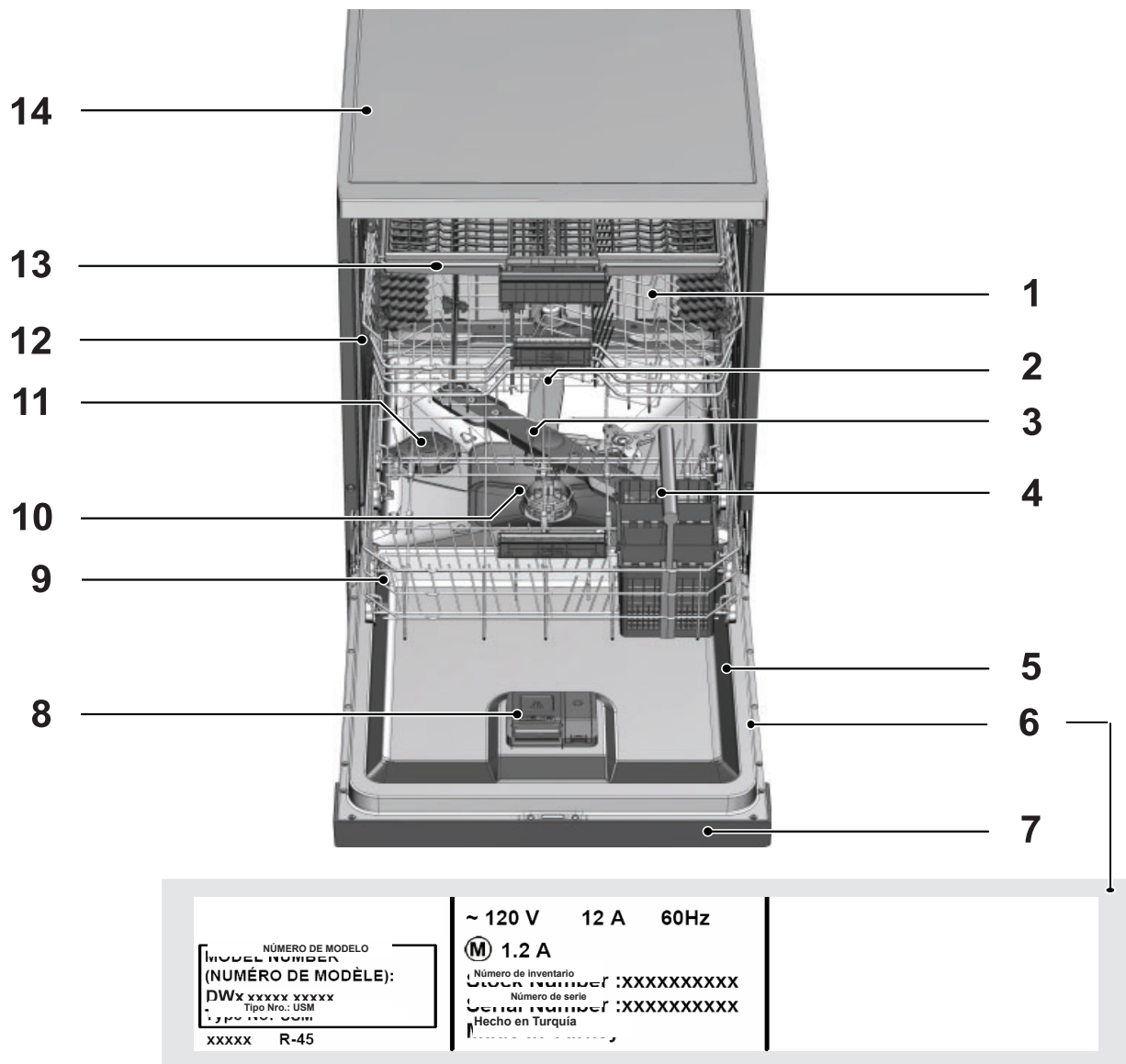
2. RECICLAJE

- Retire la puerta del compartimiento de lavado cuando retire un lavavajillas viejo o lo descarte. Asegúrese de que el electrodoméstico no represente ningún peligro para los niños al almacenarlo para su eliminación.
- Retire la cerradura de la puerta o la puerta del compartimiento de lavado antes de tirar el lavavajillas para que los niños o animales pequeños no puedan quedar atrapados en el interior.
- Los electrodomésticos viejos pueden contener materiales que pueden reciclarse. Póngase en contacto con su autoridad local de reciclaje sobre la posibilidad de reciclar estos materiales.
- Revise la línea de suministro de agua periódicamente. Es susceptible a la rotura. Se vuelve menos flexible a medida que pasa el tiempo. Vuelva a colocarla inmediatamente cuando esté rota, cortada, hinchada o haya una fuga de agua.
- Mantenga el paquete del lavavajillas fuera del alcance de los niños después de desempacarlo.

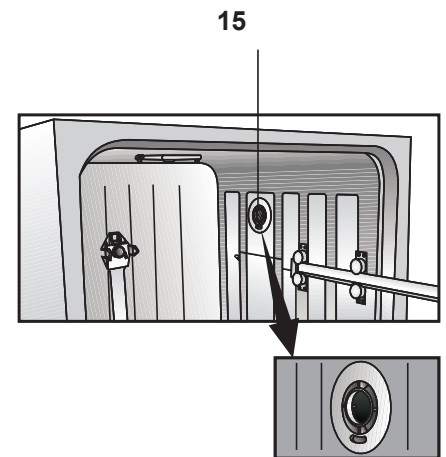


ADVERTENCIA: ¡Peligro de asfixia!
Asegúrese de que cualquier envoltorio de plástico, bolsas, piezas pequeñas, etc. se eliminen de forma segura y se mantengan fuera del alcance de los niños.

3. CONOZCA SU LAVAVAJILLAS



1. Cesta superior
2. Impulsor superior
3. Impulsor inferior
4. Cesta extraíble para cubiertos
5. Puerta
6. Etiqueta de modelo y serie
7. Panel de control
8. Dispensador de detergente y enjugador
9. Cesta inferior
10. Filtros
11. Contenedor de sal (modelos seleccionados)
12. Carril de la cesta superior
13. Cesta superior para cubiertos (modelos seleccionados)
14. Tablero (modelos seleccionados)
15. Sistema de secado térmico con ventilador turbo (modelos seleccionados)



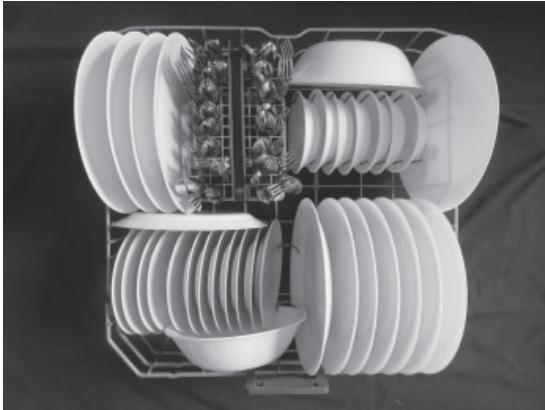
4. CARGA DEL LAVAVAJILLAS

1. Tire de la manija para abrir la puerta. Si la puerta se abre durante el funcionamiento, el lavavajillas dejará de funcionar. Una vez que la puerta está cerrada, el programa continuará.
2. Retire las sobras de comida gruesa de la vajilla.
3. Ahora puede cargar el lavavajillas.

Rejilla superior (patrón estándar)

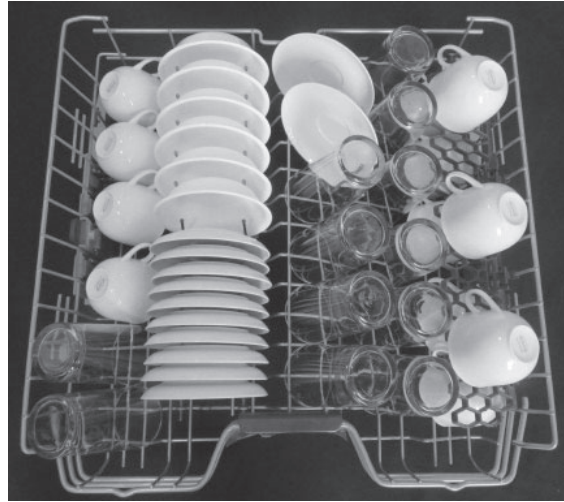


Patrón de carga de la rejilla superior para 12 cubiertos de acuerdo con los estándares AHAM DW-1



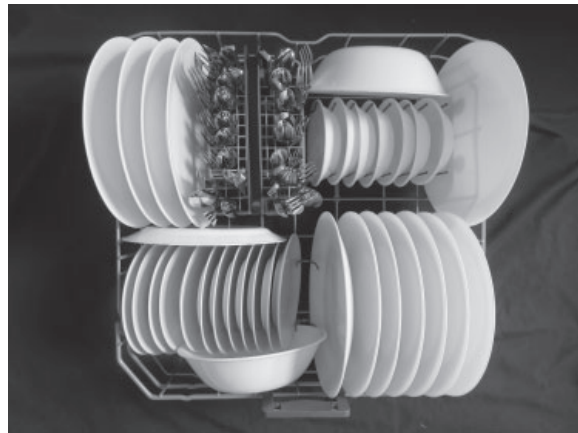
Patrón de carga de la rejilla inferior para 12 cubiertos de acuerdo con los estándares AHAM DW-1

Rejilla superior (patrón internacional)



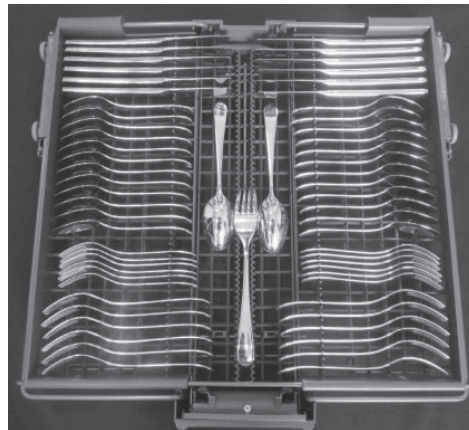
Patrón de carga internacional: rejilla superior (12 cubiertos)

Rejilla inferior (patrón internacional)



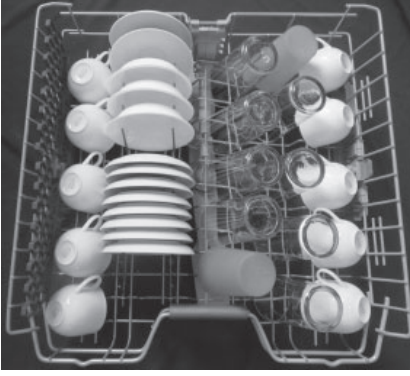
Patrón de carga internacional: rejilla inferior (12 cubiertos)

Cesta superior para cubiertos (modelos seleccionados)



Patrón de carga internacional: cesta superior para cubiertos (12 cubiertos)

Rejilla superior (modelos seleccionados)



Patrón de carga adicional: rejilla superior (10 cubiertos)

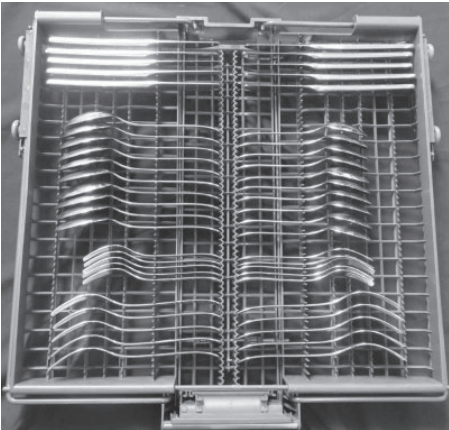
Rejilla inferior (modelos seleccionados)



Patrón de carga adicional: rejilla inferior (10 cubiertos)

Cesta superior para cubiertos (modelos seleccionados)

Cesta superior para cubiertos (MODELO DEPENDIENTE)



Patrón de carga internacional: cesta superior para cubiertos (10 cubiertos)



PRECAUCIÓN: Los cuchillos grandes y otros utensilios con puntas y bordes afilados deben colocarse horizontalmente en la rejilla superior debido al riesgo de lesiones. Otros cuchillos más pequeños y utensilios afilados deben colocarse con el lado afilado hacia abajo en la cesta para cubiertos.



PRECAUCIÓN: Tenga extrema precaución al retirar cuchillos y otros utensilios afilados del lavavajillas. Estos artículos pueden haber cambiado de posición durante el programa de lavado, y pueden estar húmedos o resbaladizos.



PRECAUCIÓN: ¡El vapor caliente puede escaparse! Peligro de quemaduras graves u otras lesiones.

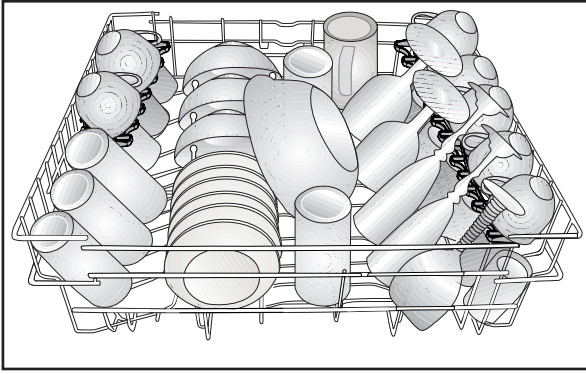


AVISO: La cesta inferior debe retirarse del lavavajillas durante las pruebas de acuerdo con AHAM DW-1.

- Su lavavajillas tiene un máximo de 12 cubiertos.
- Coloque todos los recipientes tales como tazas, vasos y ollas en el lavavajillas con la abertura hacia abajo (para que no se acumule agua).
- Los artículos pequeños y livianos pueden ir en la rejilla superior.
- Los artículos largos y angostos se colocan en el medio de las rejillas.
- Coloque todos los artículos grandes y muy sucios en la rejilla inferior.
- Cargue los platos como corresponde y tenga cuidado al cargar los vasos para que no se golpeen entre ellos durante el ciclo de lavado. Además, asegúrese de que ambos brazos de lavado no estén en contacto con ninguna vajilla.
- No sobrecargue su lavavajillas y preste atención a las instrucciones del fabricante con respecto a los platos que son apropiados para usar en un lavavajillas. Solo con platos adecuados (mencionados en la sección 5) obtendrá óptimos resultados de lavado con un uso sensato de la energía.

4.1 REJILLA SUPERIOR

Cargue la rejilla superior con platos de postre, tazas, vasos, etc.

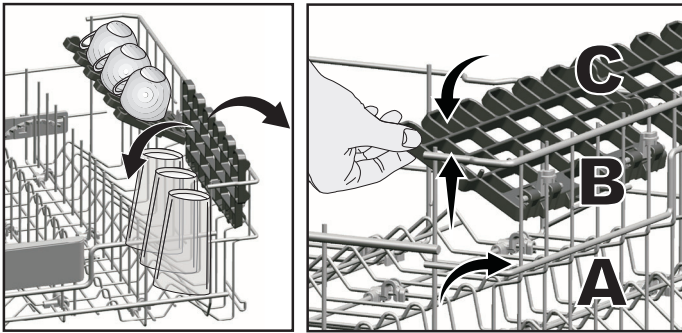


ESTANTES AJUSTABLES

(modelos seleccionados)

Dependiendo del tamaño de los vasos y tazas, la configuración de altura del estante puede ajustarse.

1. Doble el estante hacia arriba **A**.
2. Posicionamiento a la altura deseada **B**.
3. Doble el estante nuevamente hacia abajo **C**.

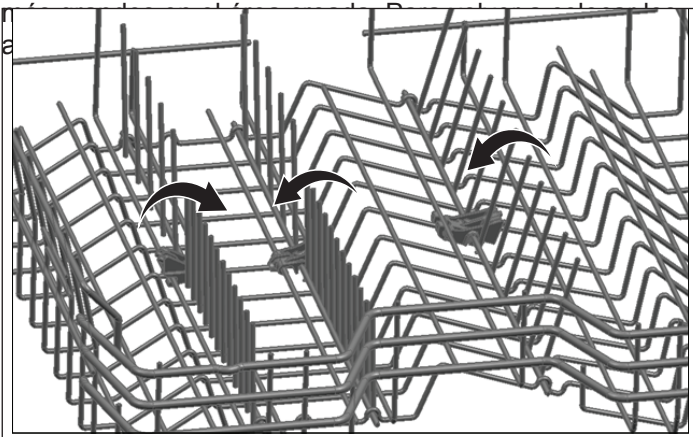


ALAMBRES PLEGABLES DE LA CESTA SUPERIOR

(modelos seleccionados)

Puede usar alambres plegables cuando necesite un espacio más grande para sus platos en la cesta superior de su máquina.

Para poner los alambres plegables en posición horizontal, tome el alambre desde la posición media y empujuelos en la dirección de la flecha de la figura. Coloque sus platos



Llevar los alambres a la posición horizontal sosteniéndolos desde las puntas puede hacer que se doblen. Por lo tanto, sostenga los alambres desde sus tallos mientras los lleva a las posiciones horizontal o vertical.

AJUSTE DE LA ALTURA DE LA CESTA SUPERIOR

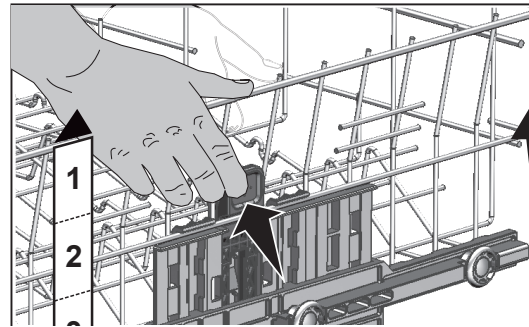
(modelos seleccionados)

El mecanismo de ajuste de altura de la cesta superior ha sido diseñado para que usted cree espacios grandes en las secciones inferiores o superiores de su máquina, según sus necesidades, ajustando la altura en la dirección superior o inferior mientras la cesta está vacía o cargada.

Gracias a este mecanismo, puede usar su cesta en tres posiciones diferentes: posición inferior, media y superior (1, 2, 3).

1. Para elevar su cesta, sostenga los alambres de la cesta superior con ambas manos mientras la cesta está en la posición más baja y tire de ellos hacia arriba (**A**).
2. Escuchará un "clic" desde los mecanismos derecho e izquierdo, lo que indica que la cesta ha alcanzado el siguiente nivel. Suelte la cesta.

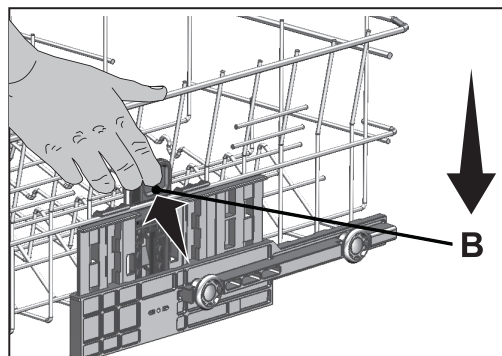
Repita el proceso si la altura no es suficiente.



Para bajar la cesta, mientras está en la posición más alta:

1. Sujete los alambres de la cesta superior con ambas manos, levante ligeramente la cesta y simultáneamente empuje y suelte los seguros que se muestran en la figura (**B**).
2. Baje la cesta de su posición actual a la posición inferior.
3. Suelte la cesta después de que haya alcanzado un nivel inferior.

Repita el proceso si la altura no es suficiente.



El mecanismo de movimiento puede no funcionar correctamente si la cesta superior está sobrecargada o si la distribución del peso no está equilibrada. En condiciones más pesadas, existe el riesgo de caer un nivel hacia abajo.

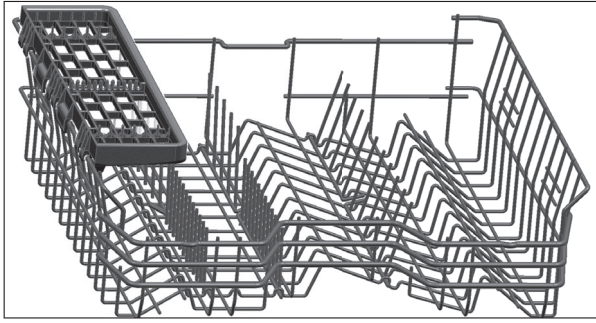


Asegúrese de que el mecanismo de ajuste tenga las mismas posiciones en los lados derecho e izquierdo de la cesta superior.

REJILLA DE SERVICIO MULTIPROPÓSITO DE LA CESTA SUPERIOR

(modelos seleccionados)

Este accesorio ubicado en la cesta superior de su máquina le permite lavar fácilmente piezas como cucharones extra largos y cuchillos para pan.



Puede levantar la rejilla de servicio multipropósito de la cesta superior para quitarla si no desea usarla.

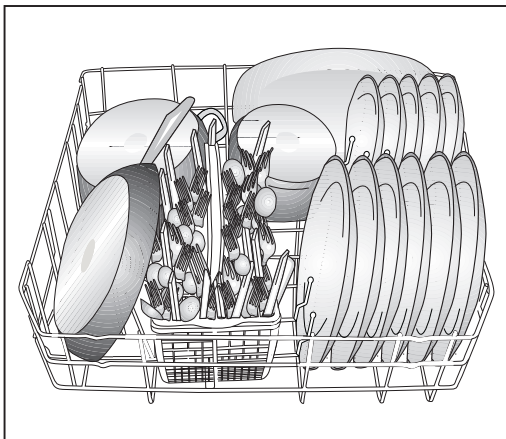


Si desea utilizar de nuevo la rejilla de servicio multipropósito de la cesta superior, puede colocarla fácilmente en la sección lateral de la cesta superior.



4.2 REJILLA INFERIOR

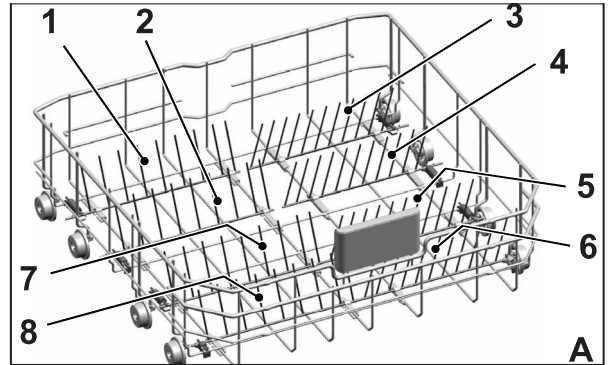
Use la rejilla inferior para platos, boles, ollas, etc.



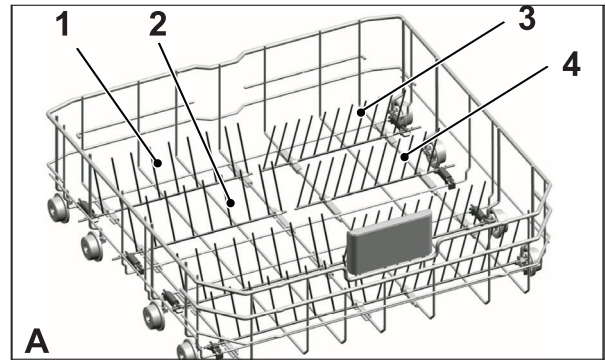
PÚAS PLEGABLES DE LA CESTA INFERIOR

(modelos seleccionados)

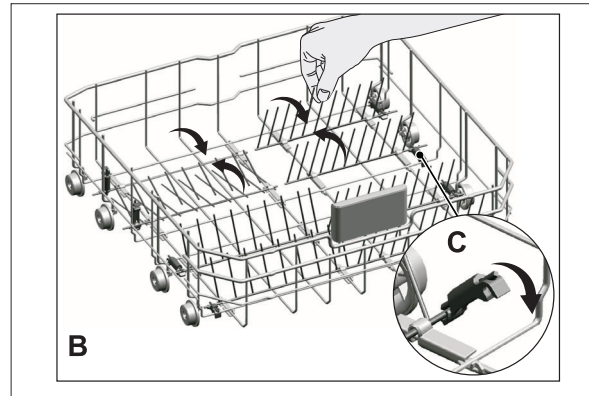
Hay púas plegables (A) ubicadas en la cesta inferior de la máquina que están diseñadas para una colocación más fácil de piezas grandes como sartenes, boles, etc. Puede crear espacios más grandes doblando cada púa individualmente o todas a la vez.



Para poner las púas plegables en posición horizontal, tome las púas desde la posición media y empújelas en la dirección de las flechas (B). Para volver a colocar las púas en posición vertical, simplemente levántelas. Las púas plegables harán nuevamente un clic en el seguro (C).



Para poner las púas plegables en posición horizontal, tome las púas desde la posición media y empújelas en la dirección de las flechas (B). Para volver a colocar las púas en posición vertical, simplemente levántelas. Las púas plegables harán nuevamente un clic en el seguro (C).



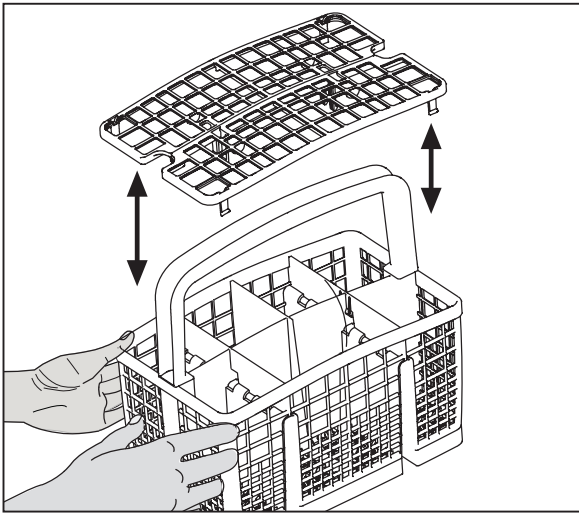
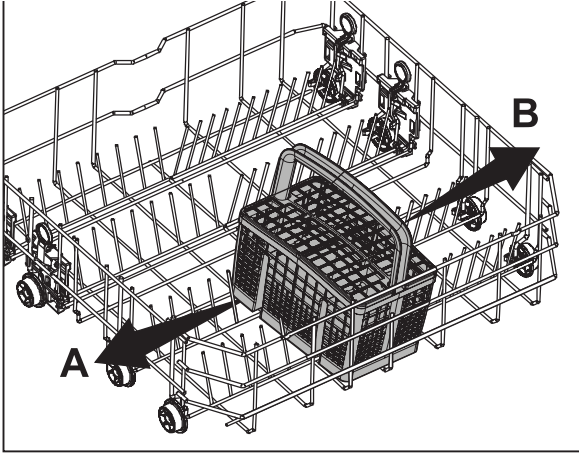
Llevar las púas a la posición horizontal sosteniéndolas desde las puntas puede hacer que se doblen. Por lo tanto, será apropiado colocar las púas en posición media a horizontal o vertical sosteniéndolas de sus tallos y empujando en la dirección de la flecha.

CESTA EXTRAÍBLE PARA CUBIERTOS

(modelos seleccionados)

La cesta extraíble para cubiertos está diseñada para lavar sus platos, como cuchillo, tenedor, cuchara, etc. de una manera más eficiente.

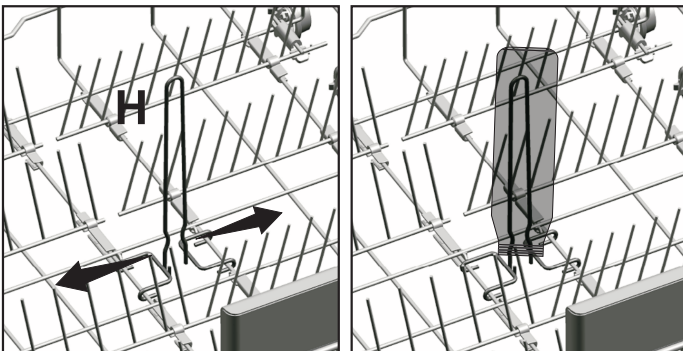
Ya que la cesta para artículos de plata se puede mover (A, B), puede crear más espacio mientras coloca los platos en la cesta inferior y liberar espacio para sus platos de diferentes tamaños.



ALAMBRE DE BOTELLA DE LA CESTA INFERIOR

(modelos seleccionados)

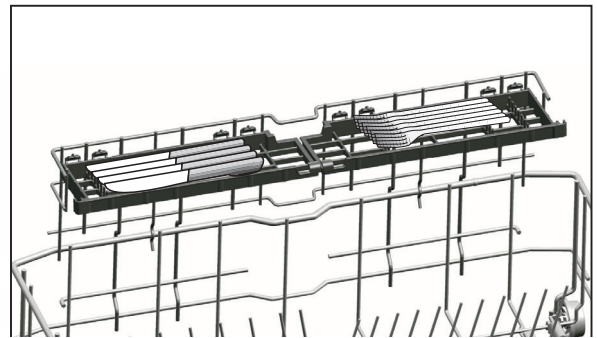
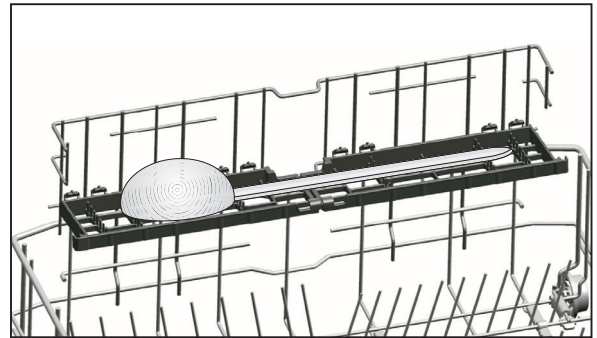
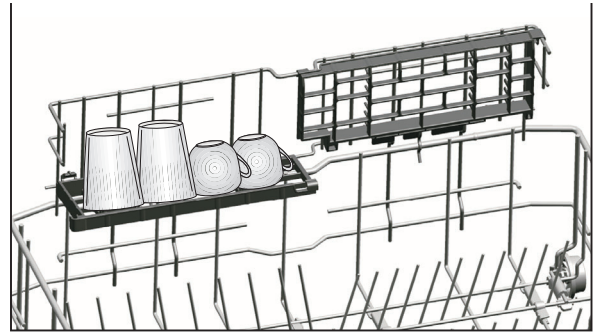
El alambre de botella está diseñado para facilitar el lavado de piezas largas con bocas anchas. Puede sacar el alambre de botella de la cesta cuando no esté en uso tirando de ambos lados (H).



REJILLA DE SERVICIO DE AJUSTE DE ALTURA/ MULTIPROPÓSITO DE LA CESTA INFERIOR

(modelos seleccionados)

Este accesorio ubicado en la cesta inferior de su máquina le permite lavar fácilmente piezas como vasos extra, cucharones largos y cuchillos de pan.



Puede usar las rejillas según sea necesario moviéndolas a la posición inferior o superior, o puede cerrarlas para crear un espacio más ancho en su cesta inferior.

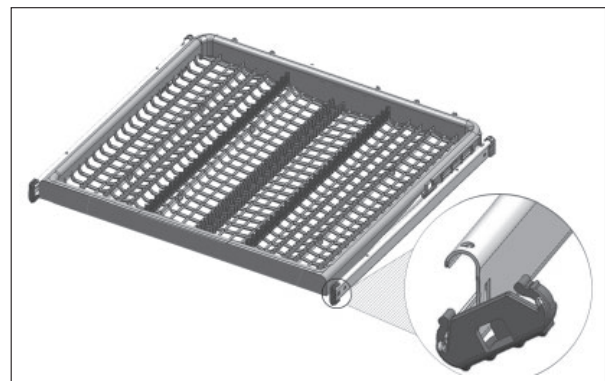


Asegúrese de que el impulsor no toque los platos que colocó en las rejillas.

CESTA SUPERIOR PARA CUBIERTOS

(modelos seleccionados)

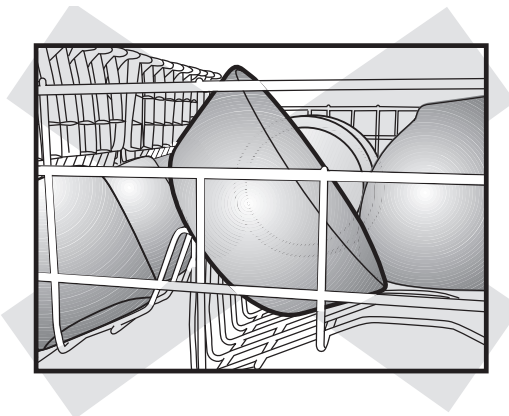
La cesta superior para cubiertos está diseñada para lavar los cubiertos, como tenedores, cucharas, etc. colocándolos entre las barras de la cesta.



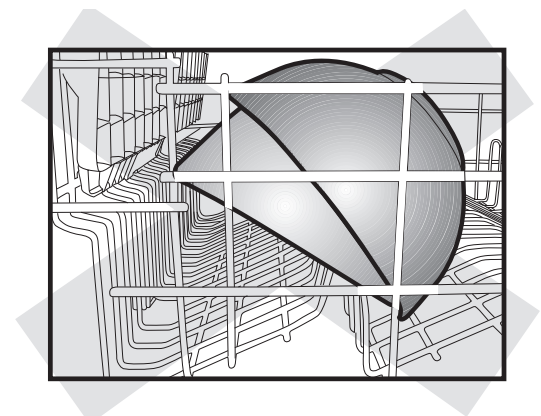
4.3 CARGA ADECUADA E INADECUADA DE LA VAJILLA



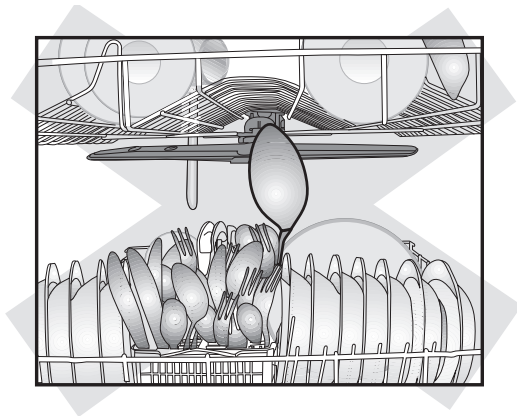
- No sobrecargue su lavavajillas.
- Solo con platos adecuados (mencionados en la sección 5) obtendrá óptimos resultados de lavado con un uso sensato de la energía.



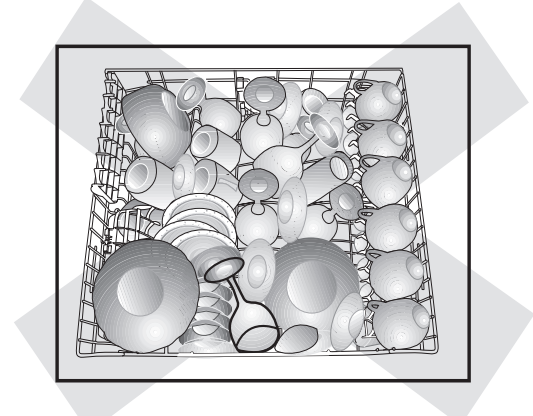
incorrecto



incorrecto



incorrecto



incorrecto

5. LO QUE NO SE DEBE LAVAR EN EL LAVAVAJILLAS

- Las piezas de acero sensibles al óxido como el hierro y el hierro fundido pueden oxidar y manchar otros utensilios, dañar el revestimiento interior de acero inoxidable del lavavajillas y anular la garantía. No lave cobre, latón, peltre, bronce o estaño.
- Los cubiertos con mangos de madera o de cuerno y los cubiertos con mangos de nácar o porcelana se deteriorarán con el tiempo si se ponen en el lavavajillas.
- Los plásticos pueden perder su forma o color con agua caliente; siga las instrucciones de los fabricantes de plástico. Asegúrese de que los artículos de plástico estén marcados como "aptos para lavavajillas".
- Los platos o cubiertos encolados no son adecuados para lavar a máquina, ya que ciertos adhesivos pueden ablandarse o disolverse con el agua caliente.
- El aluminio puede atenuarse con el tiempo. Los minerales en el agua y el detergente pueden oscurecer o manchar el aluminio.
- Los artículos de plata esterlina no se deben lavar en el lavavajillas porque tienden a decolorarse y opacarse con el detergente para lavavajillas.
- Los artículos de plata y acero inoxidable no deben estar en contacto entre sí. Mezclar estos artículos puede causar manchas. Retire y seque estos artículos inmediatamente cuando finalice el programa.
- Los vasos decorados, la porcelana, la porcelana fina y la porcelana con bordes dorados son sensibles al lavado a máquina. Pueden perder sus patrones y colores con el tiempo.
- El vidrio y la cristalería muy fina pueden volverse opacos y perder el brillo de sus grabados con el tiempo. Es posible que prefiera lavarlos a mano.
- No lave esponjas ni paños en el lavavajillas.
- No lave artículos de arte y de artesanía en el lavavajillas.
- Los plásticos desechables y el aluminio desechable no pueden soportar altas temperaturas; no los lave en el lavavajillas.



PRECAUCIÓN: En caso de duda, lávelos a mano o siga las instrucciones del fabricante de los utensilios, los platos, los vasos o las ollas y sartenes. No lave los artículos sucios con ceniza de cigarrillo, cera de vela, barniz, pinturas o productos químicos, ya que pueden dañar su lavavajillas.



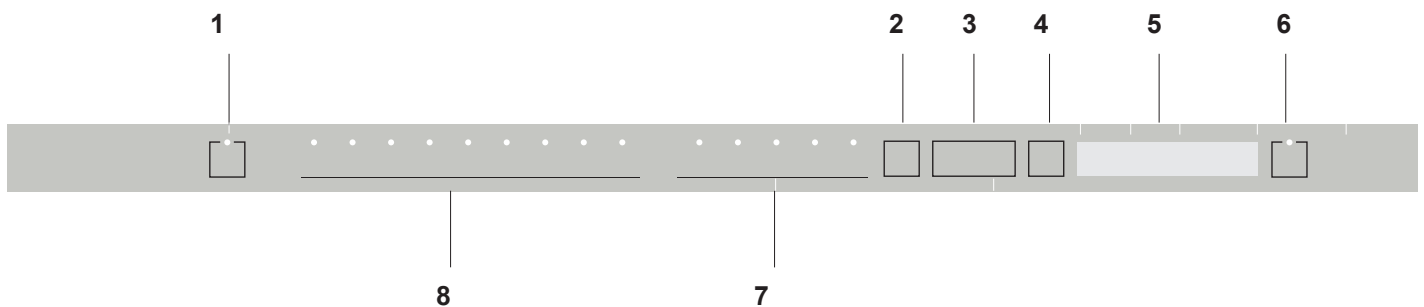
AVISO: Recomendamos que al comprar vajillas nuevas, intente elegir las que sean adecuadas para lavar a máquina (marcadas como aptas para el lavavajillas).

CUIDADO DE SU VAJILLA

La combinación de altas temperaturas y detergente para lavavajillas puede dañar algunos artículos si se lavan en el lavavajillas. Recuerde, si hay alguna duda sobre cualquier aspecto relacionado con los artículos que debe lavar en el lavavajillas, siga las instrucciones del fabricante de los artículos o lávelos a mano.

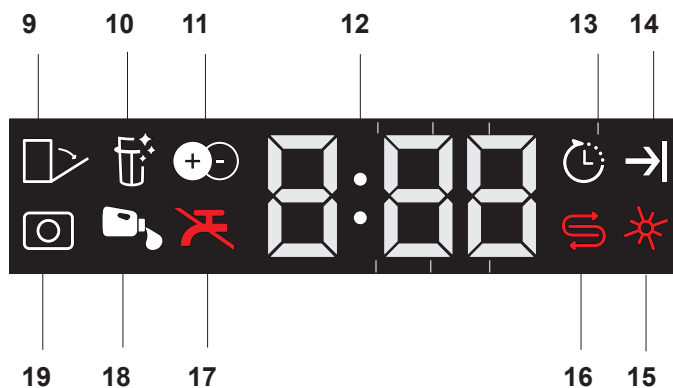
SERIE 5

OPERACIÓN DEL PRODUCTO



1. Tecla de Encendido/Apagado
2. Tecla de Menú
3. Teclas de Selección de retraso/
Selección de dirección de menú
4. Tecla de Selección/Confirmación
5. Pantalla
6. Tecla de Inicio/Pausa/Cancelación
7. Teclas de Selección de función
 - F1 Función IntenseWash
 - F2 Función Express
 - F3 Función High Gloss
 - F4 Función Sanitize

8. Teclas de Selección de programa



9. Indicador de apertura automática de la puerta (depende del modelo)
10. Indicador de función de limpieza del filtro (depende del modelo)
11. Indicador de función (depende del modelo)
12. Indicador de tiempo de retraso/tiempo de programa
13. Indicador de inicio retrasado
14. Indicador de fin del programa
15. Indicador de abrillantador
16. Indicador de sal
17. Indicador de corte de agua
18. Indicador de dosificación de detergente líquido (depende del modelo)
19. Indicador de detergente en tableta (depende del modelo)

Tecla de Encendido/Apagado

Cuando presiona la tecla de Encendido/Apagado, las luces indicadoras se iluminan en la pantalla en la posición ENCENDIDO. Las luces se apagan en la posición APAGADO.

TECLA DE SELECCIÓN DE PROGRAMA/CANCELACIÓN DE PROGRAMA

Seleccione el programa deseado con las "teclas de selección de programa" y presione el botón.

Para cancelar el programa en ejecución, abra la puerta de la máquina y mantenga presionada la tecla Inicio/Pausa/Cancelar durante 3 segundos.

Después de la cuenta regresiva 3 - 2 - 1, se muestra 0:01; cierre la puerta del producto y espere a que se complete el proceso de drenaje. El drenaje se completa en 2 minutos y la máquina emite una advertencia audible cuando se completa.

TECLAS DE FUNCIÓN

Si presiona cualquiera de las teclas de Función durante la selección del programa o la selección de retraso, se escuchará una señal de clave afirmativa siempre que la función relevante sea compatible con el programa seleccionado. La función se considerará seleccionada cuando el indicador de la función seleccionada esté iluminado.

Para cancelar la función seleccionada, mantenga presionada la tecla de función hasta que el indicador de función desaparezca.

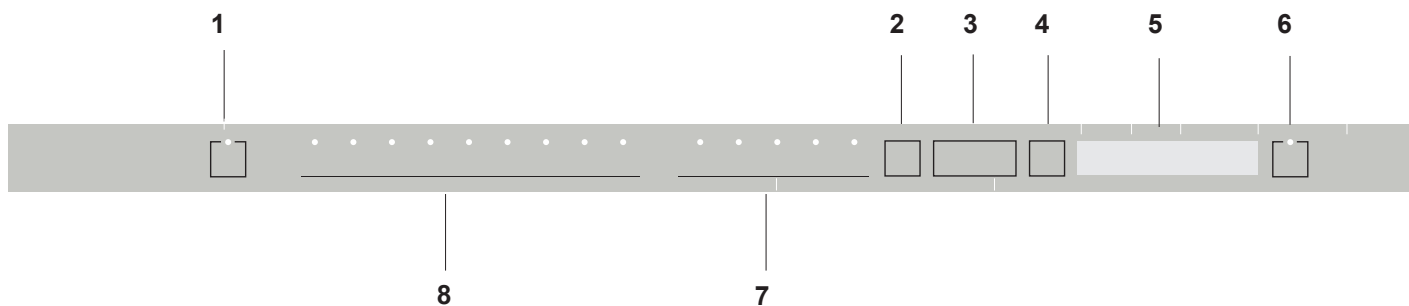
PREPARACIÓN DE LA MÁQUINA

1. Abra la puerta del lavavajillas.
2. Coloque los platos de acuerdo con las instrucciones en el manual del usuario.
3. Asegúrese de que los impulsores superiores e inferiores giren libremente.
4. Ponga la cantidad adecuada de detergente en el dispensador de detergente.

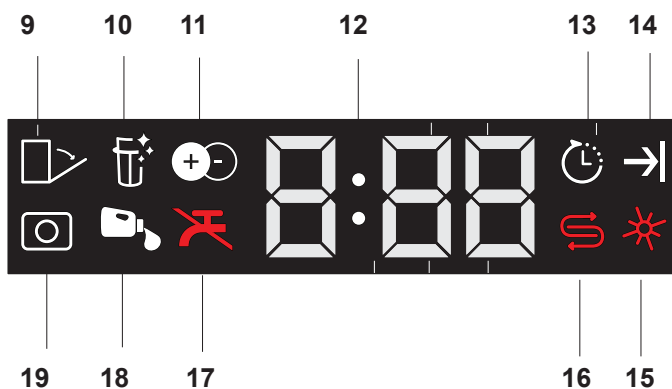
SELECCIÓN DE PROGRAMA

1. Presione el botón de Encendido/Apagado para encender su máquina.
2. Verifique los indicadores de Sal y Abrillantador, y agregue sal o abrillantador si es necesario.
3. Consulte el cuadro de "Datos del programa y valores de consumo promedio" para determinar un programa de lavado adecuado para sus platos.
4. Pulsa intermitente tecla Inicio/Pausa/Cancelar. Cierra la puerta.. Si la puerta no se cierra inmediatamente después de presionar inicio, la unidad no arrancará. Presione el botón de Inicio nuevamente y cierre la puerta inmediatamente.

OPERACIÓN DEL PRODUCTO



1. Tecla de Encendido/Apagado
2. Tecla de Menú
3. Teclas de Selección de retraso/
Selección de dirección de menú
4. Tecla de Selección/Confirmación
5. Pantalla
6. Tecla de Inicio/Pausa/Cancelación
7. Teclas de Selección de función
F1 Función Express
F2 Función High Gloss
F3 Función Sanitize
F4 Función Half Load
8. Teclas de Selección de programa



9. Indicador de apertura automática de la puerta (depende del modelo)
10. Indicador de función de limpieza del filtro (depende del modelo)
11. Indicador de función (depende del modelo)
12. Indicador de tiempo de retraso/tiempo de programa
13. Indicador de inicio retrasado
14. Indicador de fin del programa
15. Indicador de abrillantador
16. Indicador de sal
17. Indicador de corte de agua
18. Indicador de dosificación de detergente líquido (depende del modelo)
19. Indicador de detergente en tableta (depende del modelo)

Tecla de Encendido/Apagado

Cuando presiona la tecla de Encendido/Apagado, las luces indicadoras se iluminan en la pantalla en la posición ENCENDIDO. Las luces se apagan en la posición APAGADO.

TECLA DE SELECCIÓN DE PROGRAMA/CANCELACIÓN DE PROGRAMA

Seleccione el programa deseado con las "teclas de selección de programa" y presione el botón.

Para cancelar el programa en ejecución, abra la puerta de la máquina y mantenga presionada la tecla Inicio/Pausa/Cancelar durante 3 segundos.

Después de la cuenta regresiva 3 - 2 - 1, se muestra 0:01; cierre la puerta del producto y espere a que se complete el proceso de drenaje. El drenaje se completa en 2 minutos y la máquina emite una advertencia audible cuando se completa.

TECLAS DE FUNCIÓN

Si presiona cualquiera de las teclas de Función durante la selección del programa o la selección de retraso, se escuchará una señal de clave afirmativa siempre que la función relevante sea compatible con el programa seleccionado. La función se considerará seleccionada cuando el indicador de la función seleccionada esté iluminado.

Para cancelar la función seleccionada, mantenga presionada la tecla de función hasta que el indicador de función desaparezca.

PREPARACIÓN DE LA MÁQUINA

1. Abra la puerta del lavavajillas.
2. Coloque los platos de acuerdo con las instrucciones en el manual del usuario.
3. Asegúrese de que los impulsores superiores e inferiores giren libremente.
4. Ponga la cantidad adecuada de detergente en el dispensador de detergente.

SELECCIÓN DE PROGRAMA

1. Presione el botón de Encendido/Apagado para encender su máquina.
2. Verifique los indicadores de Sal y Abrillantador, y agregue sal o abrillantador si es necesario.
3. Consulte el cuadro de "Datos del programa y valores de consumo promedio" para determinar un programa de lavado adecuado para sus platos.
4. Pulsa intermitente tecla Inicio/Pausa/Cancelar. Cierra la puerta. Si la puerta no se cierra inmediatamente después de presionar inicio, la unidad no arrancará. Presione el botón de Inicio nuevamente y cierre la puerta inmediatamente.

TABLA DE PROGRAMAS

Número de programa	1	2	3	4	5	6	7	8	
Nombre del programa	Auto	Combi Clean	Pots & Pans+ (Ollas, cacerolas y otros)	Regular Wash * (Lavado normal)	GlassCare	Hour Wash	Quick Wash (Lavado rápido)	Rinse & Hold (Enjuagar y espera)	
Lavado Temperaturas	(°C)	55	70	50-55	45	49	45	0	
	(°F)	142-157	158	122-131	113	120	113	0	
	(°C)	61-67	66	61-67	65	71	55	0	
	(°F)	122-131	151	142-157	149	160	131	0	
Grado de suciedad	Medio - Alto	Medio	Alto	Medio	Bajo	Bajo - Medio	Bajo	-	
Detergente en el dispensador	15 ml	-	-	-	-	-	+	-	
	15-25 ml	+	+	+	+	+	-	-	
	+ 5 ml	-	+	+	-	+	-	-	
Cantidad de detergente recomendada	Agua dura	25-40	40	25-40	25	25-40	15-25	-	
	CT	5-8	8	5-8	5	5-8	3-5	-	
	Agua media	15-40	40	25	25	25	15	-	
	CT	3-8	8	5	5	5	3	-	
	Agua blanda	15-40	25-40	25-40	15-25	15	15-25	15	-
	CT	3-8	5-8	5-8	3-5	3	3-5	3	-
Lavado principal	+	+	+	+	+	-	-	+	
Lavado principal	+	+	+	+	+	+	+	-	
Secado	+	+	+	+	+	+	-	-	
Sanitize?	+	-	+	+	-	-	-	-	
Duración (minutos)	100-152	182	122	100-152	101	58	35	15	
Agua (litros)	9,0-21,2	19,2	20,2	11,4-23,6	13,6	10,4	11,6	4,2	
Agua (galones)	2,38-5,55	5,02	5,34	2,91-6,07	3,40	2,70	3,10	1,10	

Los valores de consumo indicados en la tabla fueron determinados en condiciones normales. Por esta razón, es posible que se produzcan variaciones en la práctica. * La etiqueta de uso de energía está basada en este programa.

TABLA DE PROGRAMAS

Número de programa	1	2	3	4	5	6	7	8	
Nombre del programa	Auto	Combi Clean	Pots & Pans+ (Ollas, cacerolas y otros)	Regular Wash * (Lavado normal)	GlassCare	Hour Wash	Quick Wash (Lavado rápido)	Rinse & Hold (Enjuagar y espera)	
Lavado Temperaturas	(°C) 50-55 (°F) 142-157	55 131	70 158	50-55 122-131	45 113	49 120	45 113	0 0	
Enjuague Temperaturas	(°C) 61-67 (°F) 122-131	66 151	75 167	61-67 142-157	65 149	71 160	55 131	0 0	
Grado de suciedad	Medio - Alto	Medio	Alto	Medio	Bajo	Bajo - Medio	Bajo	-	
Detergente en el dispensador	15 ml	-	-	-	-	-	+	-	
	15-25 ml	+	+	+	+	+	-	-	
	+ 5 ml	-	+	+	-	+	-	-	
Cantidad de detergente recomendada	Agua dura	25-40	40	25-40	25	25-40	15-25	-	
	Agua media	5-8	8	5-8	5	5-8	3-5	-	
		15-40	40	40	25	15-25	25	15	-
	Agua blanda	3-8	8	8	5	3-5	5	3	-
		15-40	25-40	25-40	15-25	15	15-25	15	-
	CT	3-8	5-8	5-8	3-5	3	3-5	3	-
Lavado principal	+	+	+	+	+	-	-	+	
Lavado principal	+	+	+	+	+	+	+	-	
Secado	+	+	+	+	+	+	-	-	
Sanitize?	+	-	+	+	-	-	-	-	
Duración (minutos)	100-152	182	122	100-152	101	58	35	15	
Agua (litros)	9,0-21,2	19,2	20,2	9,0-21,2	13,6	10,4	11,6	4,2	
Agua (galones)	2,38-5,55	5,02	5,34	2,38-5,55	3,40	2,70	3,10	1,10	

Los valores de consumo indicados en la tabla fueron determinados en condiciones normales. Por esta razón, es posible que se produzcan variaciones en la práctica. * La etiqueta de uso de energía está basada en este programa.

TABLA DE PROGRAMAS

Número de programa	1	2	3	4	5	6
Nombre del programa	Pots & Pans+ (Ollas, cacerolas y otros)	Regular Wash * (Lavado normal)	GlassCare	Hour Wash	Quick Wash (Lavado rápido)	Rinse & Hold (Enjuagar y espera)
Lavado Temperaturas	70 (°C) 162 (°F)	50-55 122-131	48 118	47 116,6	45 113	0 0
Enjuague Temperaturas	72 (°C) 158 (°F)	61-67 142-157	65 149	71 160	55 131	0 0
Grado de suciedad	Alto	Medio	Bajo	Bajo - Medio	Bajo	-
Detergente en el dispensador	- + +	- + +	- + -	- + +	+ - -	- - -
Cantidad de detergente recomendada	40 8 40 8 25-40 5-8	25-40 5-8	25 5	25-40 5-8	15-25 3-5	- -
Lavado principal	40 25-40 5-8	25 15-25 3-5	15-25 3-5	25 5 15-25 3-5	15 3 15 3	- -
Lavado principal	+ + + +	+ + + +	+ + + -	- + + -	- + - -	+ - - 0
Duración (minutos)	122	100-135	65	58	35	15
Agua (litros)	20,2	8,8-21,2	12	10,4	11,6	4,2
Agua (galones)	5,34	2,32-5,60	3,17	2,70	3,10	1,10

Los valores de consumo indicados en la tabla fueron determinados en condiciones normales. Por esta razón, es posible que se produzcan variaciones en la práctica. * La etiqueta de uso de energía está basada en este programa.

6.4 FUNCIONES AUXILIARES

Los programas de lavado de su lavavajillas están diseñados para obtener el mejor efecto de limpieza, teniendo en cuenta el tipo de suciedad, el grado de suciedad y las propiedades de los platos que se lavan. Las funciones auxiliares le permiten ahorrar tiempo, agua y energía.



Las funciones auxiliares pueden causar cambios en la duración del programa.



Las funciones auxiliares no son adecuadas para todos los programas de lavado. El indicador de la función auxiliar que no es compatible con el programa no estará activo.

Función Half Load

Se usa para operar la máquina sin cargarla completamente.

1. Cargue sus platos en la máquina como lo desee. Puede usar ambas rejillas superiores e inferiores.
2. Encienda la máquina con la tecla de Encendido/ Apagado.
3. Seleccione el programa deseado y presione la tecla Half Load. El indicador de Half Load se iluminará en la pantalla en el indicador de Función seleccionada.
4. Inicie el programa presionando la tecla de Inicio/ Pausa/Cancelación.

Función Express

Acorta el tiempo del ciclo de lavado seleccionado y disminuye el consumo de agua al permitir el lavado bajo mayor presión.

Función High Gloss

Proporciona un rendimiento de secado superior.

Función Sanitize

La función Sanitize aumenta la temperatura del agua en el enjuague final para cumplir con los requisitos del ESTÁNDAR NSF/ANSI 184 para lavavajillas residenciales. Los lavavajillas residenciales certificados no están destinados a establecimientos de alimentos autorizados.

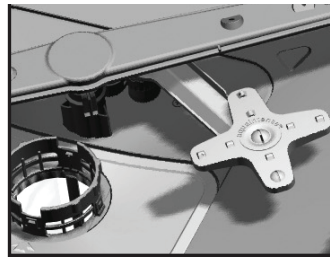


Al final de una desinfección exitosa en la pantalla se muestra "SAN". "SAN" no se muestra en la pantalla si el ciclo se interrumpe o si el agua no se puede calentar a la temperatura requerida.



Los programas disponibles se indican en el gráfico Cuadro de programas.

Función IntenseWash



El impulsor IntenseWash ubicado debajo del impulsor inferior ayuda a lavar los platos muy sucios en el lado derecho de la cesta inferior. Tendrá mejores resultados al colocar el plato más sucio en el lado frontal derecho.



¡No intente remover el impulsor IntenseWash!

Iluminación del piso

Se ilumina para mostrar que el programa aún se está ejecutando.

(modelos seleccionados)

Su máquina refleja una luz en el piso durante el proceso de lavado. Esta luz se apaga después de que se completa el proceso de lavado.



La iluminación del piso no puede ser cancelada por el usuario.

Luz interior

(modelos seleccionados)

Algunos modelos tienen iluminación interior para iluminar el interior cuando se abre la puerta.

Cambiar la configuración de iluminación interior

1. Después de encender su máquina, presione la tecla de Menú durante 1 segundo.
2. Presione <- y +> para pasar a "L:" en la pantalla. Seleccione la posición que desea con la tecla de Selección. La iluminación interior está apagada en la posición "L:0" y encendida en la posición "L:1".
3. Presione la tecla de Menú para salir del menú de configuración. Su configuración se guardará automáticamente.

Cambio del volumen del sonido de advertencia

1. Después de encender su máquina, presione la tecla de Menú durante 1 segundo.
2. Presione <- y +> para pasar a "S:" en la pantalla.
3. Cada vez que se presiona la tecla de Selección se cambiará el volumen del sonido de advertencia como "S:0" apagado, "S:1" medio y "S:2" alto.
4. Presione la tecla de Menú para salir del menú de configuración. Su configuración se guardará automáticamente.



La configuración de fábrica de su máquina es "S:2".

Funciones en el menú de configuración

(depende del modelo)

En el menú de configuración de su producto, hay algunas funciones adicionales que dependen del modelo.

Para acceder a estas funciones, mantenga presionada la tecla de Menú durante 3 segundos. Utilice <- y +> para proceder a la función o configuración deseada.

Use la tecla de selección para cambiar la función o configuración deseada, y presione la tecla de Menú para salir del menú de Configuración.

Funciones del submenú:

(depende del modelo)

Función de tableta de detergente Apagada/Encendida



Función de detergente en tableta

Permite obtener un mejor rendimiento de secado de los detergentes multiuso llamados detergentes todo en uno, como 2 en 1, 3 en 1, 4 en 1, 5 en 1, etc., dependiendo del nivel de dureza del agua del grifo.



Si ha utilizado las características de Tableta durante el último programa de lavado que usó, la función Tableta permanecerá activa en el siguiente programa de lavado que seleccione. Si no desea utilizar estas funciones en el nuevo programa que ha seleccionado, presione la tecla de Detergente en tableta hasta que el indicador de la función correspondiente se apague.



La función de Detergente en tableta puede causar cambios en la duración del programa.

6.5 PROGRAMACIÓN DEL TIEMPO DE LAVADO

Retraso

Si se aplica una tarifa de electricidad económica en su región, puede usar la función de Retraso para lavar sus platos durante las horas apropiadas.

Puede retrasar el inicio del programa seleccionado hasta 24 horas.

1. Presione la tecla de función de Retraso después de seleccionar el programa de lavado y otras funciones auxiliares.
2. Una vez que presione la tecla de Retraso, la línea de información de pantalla mostrará "0:30" y el indicador de Retraso comenzará a parpadear.
3. Establezca el tiempo deseado presionando la tecla de Retraso. El tiempo aumentará con incrementos de 30 minutos hasta 6 horas y luego en incrementos de 1 hora hasta 24 horas cada vez que presione la tecla.
4. Cierre la puerta de su máquina después de configurar el Inicio retrasado. Una vez que el tiempo de retraso ha terminado, el programa seleccionado comenzará automáticamente.

Cambio de la configuración mientras la función de Retraso está activa

Mientras la función de Retraso está activada, no puede realizar cambios en el programa de lavado, las funciones auxiliares o la duración del tiempo de retraso.



Las funciones de programa y las auxiliares no se pueden configurar/modificar una vez que el programa ha comenzado.

Para cancelar la función de Retraso

Abra la puerta del producto. Mantenga presionadas las teclas de Selección de programa/Cancelación de programa durante 3 segundos. Después de la cuenta regresiva 3 - 2 - 1, se muestra 0:01; cierre la puerta del producto y espere a que se complete el proceso de drenaje. El drenaje se completa en 2 minutos y la máquina emite una advertencia audible cuando se completa.



Puede seleccionar e iniciar un nuevo programa después de la cancelación de la función de Retraso.



La función de Retraso no se puede configurar después de que se inicia el programa.

6.6 INICIO DEL PROGRAMA

Pulsa intermitente tecla Inicio/Pausa/Cancelar. Cierra la puerta..



Modelos seleccionados:

Su máquina realiza el ablandamiento del agua según el nivel de dureza del agua de suministro. El tiempo de lavado puede cambiar mientras el programa está en ejecución dependiendo de la temperatura ambiente donde está instalada la máquina, la temperatura del agua de suministro y la cantidad de platos.



Preste atención para no abrir la puerta de la máquina cuando está funcionando. Puede haber una descarga de vapor cuando abra la puerta de su máquina; tenga cuidado.



La máquina se apagará si no se presiona ningún botón dentro de los 5 segundos posteriores a la apertura de la puerta mientras la máquina está en funcionamiento.



Después de abrir la puerta, si se presiona cualquier botón dentro de los 5 segundos y la puerta se cierra, se reanuda el programa seleccionado; de lo contrario, la máquina se apagará.
Abra la puerta después de que la máquina se haya apagado, presione el botón de Encendido/Apagado y cierre la puerta dentro de los 5 segundos. El programa reanudará el lavado.



La máquina permanecerá en silencio en modo de pausa durante un tiempo para eliminar por completo el agua de la máquina y en los platos, y para limpiar el ablandador de agua, y luego volverá a funcionar en modo de secado.

6.7 CANCELACIÓN DEL PROGRAMA

Para cancelar el programa en ejecución, abra la puerta de la máquina y mantenga presionada la tecla Inicio/Pausa/Cancelar durante 3 segundos. Después de la cuenta regresiva 3 - 2 - 1, se muestra 0:01; cierre la puerta del producto y espere a que se complete el proceso de drenaje. El drenaje se completa en 2 minutos y la máquina emite una advertencia audible cuando se completa.



Puede haber residuos del detergente o abrillantador en la máquina o en las piezas que se lavan según el paso en el que haya estado el programa cancelado.

6.8 INDICADOR DE SAL (S)

(MODELOS SELECCIONADOS)

Verifique el indicador de sal en la pantalla para ver si hay suficiente cantidad de sal suavizante en el lavavajillas o no. Debe rellenar el depósito de sal con sal cada vez que aparezca un indicador de sal en la pantalla de su máquina.



El ajuste del nivel de dureza del agua se explica en la sección Sistema de ablandamiento de agua.

6.9 INDICADOR DE ABRILLANTADOR (☀)

Verifique el indicador de abrillantador en la pantalla para ver si hay suficiente cantidad de abrillantador en el lavavajillas o no. Debe rellenar el depósito de abrillantador con abrillantador cada vez que aparezca el indicador de abrillantador en la pantalla de su máquina.

Ajuste de la cantidad de abrillantador

1. Después de encender su máquina, presione la tecla de Menú durante 1 segundo.
2. Con las teclas <- y +>, pase a "P:" en la pantalla.
3. Configure el nivel apropiado con la tecla de Selección.
4. Presione la tecla de Menú para salir del menú de configuración. Su configuración se guardará automáticamente.

No se dispensó ningún abrillantador en la posición de lavado P:0.

Se dispensa 1 dosis de abrillantador en la posición P:1.
Se dispensan 2 dosis de abrillantador en la posición P:2.
Se dispensan 3 dosis de abrillantador en la posición P:3.
Se dispensan 4 dosis de abrillantador en la posición P:4.

6.10 FIN DEL PROGRAMA



Cuando el programa que ha seleccionado llega a su fin, una señal de advertencia audible le advertirá que apague la máquina. Esta señal audible le avisará con ciertos intervalos antes de que se apague.

El indicador de Fin del programa se iluminará cuando termine el programa de lavado.

1. Abra la puerta de la máquina.
2. Presione la tecla de Encendido/Apagado para apagar su máquina.
3. Cierre la puerta.



Para ahorrar energía, la máquina se apaga automáticamente después de la finalización del programa o si el programa no se inicia.



Deje sus platos en la máquina durante aproximadamente 15 minutos para permitir que se enfríen después de lavarlos. Sus platos se secarán en un tiempo más corto si deja entreabierto la puerta de su máquina durante este período. Este proceso aumentará la eficacia de secado de su máquina.

6.11 ADVERTENCIA DE CORTE DE AGUA

Si se corta el suministro de agua principal o si se desactiva la válvula de entrada de agua, la máquina no podrá recibir agua y el ícono E:02 parpadeará en el indicador de programa. Mientras el problema continúe, el programa de lavado se pausará y la máquina revisará regularmente la entrada de agua; cuando se restaure el agua, el ícono E:02 desaparecerá después de un tiempo y el programa de lavado se reanudará.

6.12 ADVERTENCIA DE DESBORDAMIENTO

Si la máquina toma demasiada agua o hay fugas en alguno de los componentes, la máquina detectará esto y el ícono E:01 parpadeará en el indicador de Programa. Mientras continúe el desbordamiento, las medidas de seguridad se activarán e intentarán descargar el agua. Si el desbordamiento se detiene y se asegura la seguridad, el ícono E:01 desaparecerá. Si E:01 no desaparece, hay una falla permanente. En este caso, se debe contactar al servicio autorizado.

7. DETERGENTE

Puede usar detergentes en polvo, líquidos/en gel o en tabletas en la máquina.



Solo utilice en la máquina los detergentes producidos especialmente para usar con lavavajillas. Recomendamos que no use detergentes que contengan cloro y fosfato ya que son dañinos para el medioambiente.

7.1 ADICIÓN DE DETERGENTE



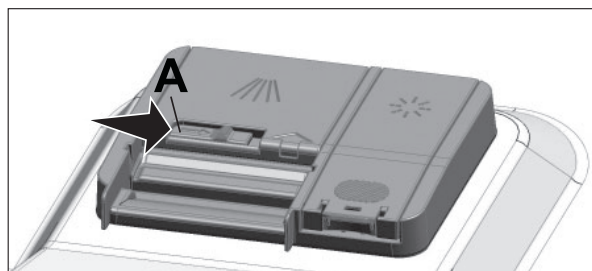
Preste atención a las advertencias en el envase del detergente para obtener mejores resultados de lavado y secado. Póngase en contacto con el fabricante del detergente si tiene más preguntas.



No coloque solventes en el dispensador de detergente. ¡Existe el riesgo de explosión!

Coloque el detergente en el dispensador de detergente justo antes de operar la máquina como se ilustra a continuación.

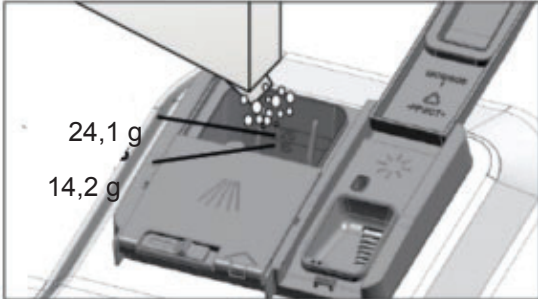
1. Empuje el seguro hacia la derecha para abrir la tapa del dispensador de detergente (A).



2. Coloque la cantidad sugerida de detergente en polvo, líquido/en gel o en tableta en el depósito.

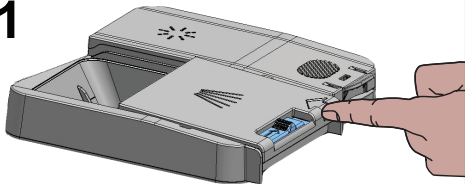


Dentro del dispensador de detergente hay marcas de nivel que lo ayudan a usar la cantidad adecuada de detergente en polvo. Cuando esté lleno, el dispensador de detergente contendrá 1,5 onzas (42,5 g) de detergente. Llene detergente hasta 0,5 onzas (14,2 g) o 0,85 onzas (24,1 g) de marcas de nivel en el dispensador de detergente de acuerdo con la plenitud de la máquina o el grado de suciedad de los platos. Una tableta es suficiente si está usando tabletas de detergente.

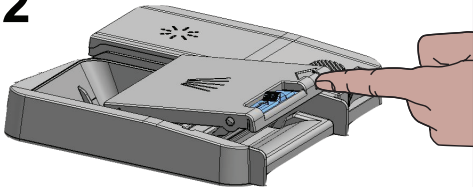


3. Presione la tapa del dispensador de detergente para cerrarlo. Se escuchará un "clic" cuando la tapa esté cerrada.

1



2



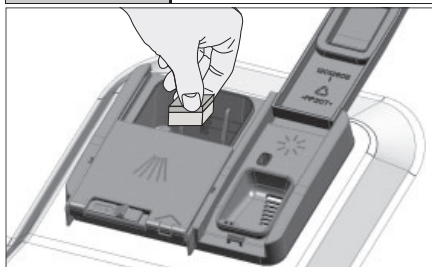
Use detergente en polvo o líquido/en gel en programas cortos sin prelavado, ya que la solubilidad del detergente en tableta cambia según la temperatura y el tiempo.

7.2 DETERGENTES EN TABLETAS

Además de los detergentes en tabletas convencionales, también hay tabletas de detergente disponibles en el mercado que muestran el efecto de la sal de ablandamiento de agua o el efecto del abrillantador. Algunos tipos de estos detergentes contienen componentes especiales, como protectores de vidrio y acero inoxidable. Estas tabletas muestran sus efectos hasta un cierto nivel de dureza del agua (59 gpg). También se deben usar la sal de ablandamiento de agua y el abrillantador junto con el detergente si el nivel de dureza del agua está por encima del nivel mencionado.



El mejor rendimiento de lavado en los lavavajillas se obtiene usando detergente, abrillantador y sal de ablandamiento de agua individualmente.



Observe las instrucciones del fabricante del detergente en el paquete cuando use detergentes en tabletas.



Póngase en contacto con el fabricante del detergente si sus platos están mojados o si nota manchas de cal especialmente en sus vasos después de que el programa de lavado termine cuando use un detergente en tableta.

Cuando cambia del detergente en tableta al detergente en polvo:

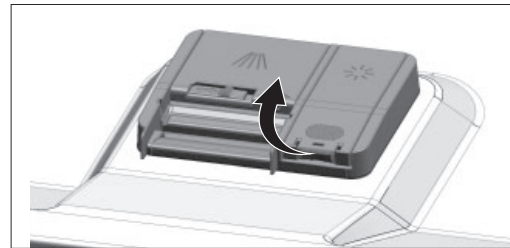
1. Asegúrese de que los depósitos de sal (modelos seleccionados) y abrillantador estén llenos.
2. Configure la dureza del agua al nivel más alto y realice una ejecución al vacío.
3. Después del ciclo de lavado vacío, revise el manual del usuario y reajuste el nivel de dureza del agua para adecuarlo al suministro de agua.
4. Realice la configuración adecuada de abrillantador.

7.3 ABRILLANTADOR

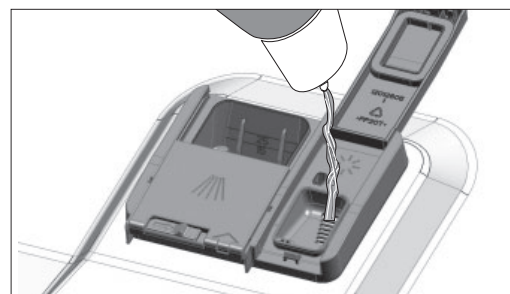


El abrillantador utilizado en los lavavajillas es una combinación especial que tiene como objetivo aumentar la eficacia del secado y evitar las manchas de agua o de cal en los artículos lavados. Por esta razón, se debe tener cuidado de tener un abrillantador en el depósito del abrillantador y de utilizar abrillantadores producidos especialmente para lavavajillas.

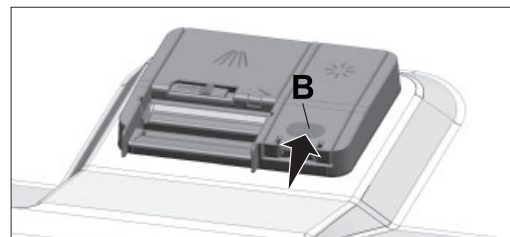
1. Abra la tapa del depósito del abrillantador con la ayuda del seguro.



2. Llene el depósito hasta el nivel "MÁX.".



3. Presione levemente el punto (B) de la tapa del depósito para cerrarlo.



4. Si hay manchas en los artículos de vajilla después del lavado, el nivel debe aumentarse y si hay un trazo azul después de limpiarlos a mano, este debe reducirse. Esto se establece en la posición 3 como predeterminado de fábrica.



El ajuste del abrillantador se describe en "Ajuste de la cantidad de abrillantador" en la sección para operar la máquina.



Limpie cualquier abrillantador derramado fuera del depósito. El abrillantador que se derramó accidentalmente causará espuma y eventualmente disminuirá el rendimiento de lavado.

8. AJUSTE DEL SISTEMA DE ABLANDAMIENTO DE AGUA

(modelos seleccionados)

El rendimiento de limpieza, enjuague y secado de su lavavajillas aumentará cuando el sistema de ablandamiento de agua se ajuste correctamente.

Ajuste el nuevo nivel de dureza del agua de acuerdo con las instrucciones del nivel de dureza del agua en este folleto.

Utilice la tira de prueba suministrada con el producto de acuerdo con los pasos que se indican a continuación para determinar el nivel de dureza del agua de suministro.

Después de determinar el nivel de dureza del agua de suministro:

1. Encienda su máquina y mantenga presionada la tecla de Menú.
2. Presione la tecla de menú de configuración durante 3 segundos para ingresar al Menú de Configuración.
3. Con las teclas <- y +>, continúe hasta que el indicador de configuración de dureza del agua esté encendido (se mostrará la posición "r").
4. Con la tecla de Selección, ajuste el nivel de dureza del agua de acuerdo con la dureza del agua de suministro. Para una



configuración correcta, consulte el "Cuadro de configuración del nivel de dureza del agua".

5. Presione la tecla de Menú para salir del menú de configuración. Su configuración se guardará automáticamente.

Cuadro de ajuste del nivel de dureza del agua

Nivel de dureza	Granos por galón (gpg)	Dureza del agua francesa °dF	Indicador de nivel de dureza del agua
Nivel 0 	0-14	0-8	Presione la tecla de Selección para cambiar el nivel de dureza del agua a la posición 1. (r1)
Nivel 1 	15-22	9-13	
Nivel 2 	23-37	14-22	Presione la tecla de Selección para cambiar el nivel de dureza del agua a la posición 2. (r2)
Nivel 3 	38-46	23-27	Presione la tecla de Selección para cambiar el nivel de dureza del agua a la posición 3. (r3)
Nivel 4 	47-58	28-34	Presione la tecla de Selección para cambiar el nivel de dureza del agua a la posición 4. (r4)
Nivel 5 	59-154	35-90	Presione la tecla de Selección para cambiar el nivel de dureza del agua a la posición 5. (r5)

Si el nivel de dureza del agua de suministro es superior a 154 gpg (granos por galón) o si está usando agua de pozo, entonces se recomienda el uso de dispositivos de purificación de agua y filtros especiales.

Si el nivel de dureza del agua de suministro es inferior a 22 gpg, no es necesario usar sal en su lavavajillas. Si este es el caso, el "Indicador de advertencia de ausencia de sal" (si corresponde) se ilumina continuamente en el panel de su máquina.

Si el ajuste del nivel de dureza del agua se establece en el nivel 1, el "Indicador de advertencia de ausencia de sal" se iluminará continuamente, aunque no es necesario utilizar sal. Si usa sal en esta condición, la sal no se consumirá y el indicador de sal no se iluminará.



Si muda su lavavajillas a otra casa, es necesario reajustar el nivel de dureza del agua de su máquina teniendo en cuenta la información dada anteriormente de acuerdo con el nivel de dureza del agua de suministro en su nueva ubicación. Su máquina mostrará el nivel de dureza del agua ajustado más recientemente.

9. LLENADO DEL DISPENSADOR DE SAL DEL LAVAVAJILLAS

(modelos seleccionados)

El sistema de ablandamiento de agua debe regenerarse para que la unidad funcione con el mismo rendimiento de forma continua. La sal del lavavajillas se usa para este propósito.



Use solo sales suavizantes especiales producidas especialmente para los lavavajillas de su máquina.



Se recomienda utilizar sales suavizantes de gránulos o polvo en el sistema de ablandamiento de agua. No use sales que no se disuelvan completamente en agua, como sal de mesa o sal de roca. De lo contrario, el rendimiento del sistema puede deteriorarse con el tiempo.

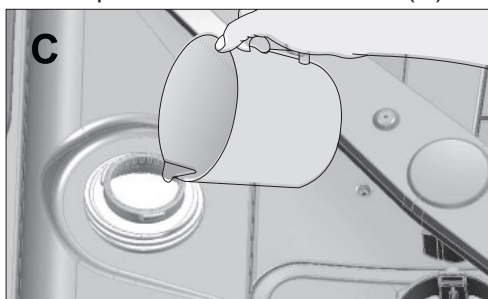


El depósito de sal se llenará de agua cuando inicie el producto. Por esta razón, agregue sal antes de operar la máquina.

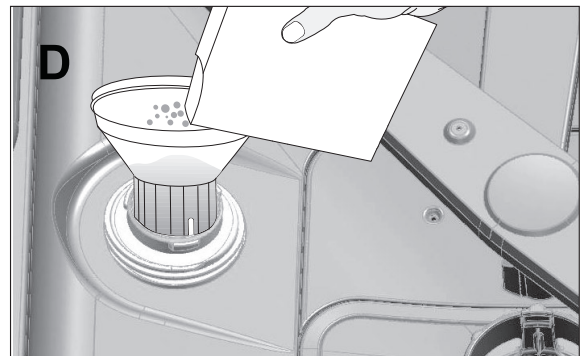
1. Saque la cesta inferior para agregar sal suavizante.
2. Gire la tapa del depósito de sal hacia la izquierda para abrirla (A, B).



3. Agregue 4 tazas de agua al depósito de sal de su máquina solo en el uso inicial (C).



4. Llene el depósito de sal con sal utilizando el embudo de sal (D). Para acelerar la velocidad de disolución de la sal en el agua, revuélvala con una cuchara



Puede poner 4,4 libras de sal suavizante en el depósito de sal.

5. Vuelva a colocar la tapa y ajústela cuando el depósito esté lleno.



Debe agregar sal justo antes de encender la máquina. Por lo tanto, el agua salada desbordante se descargará inmediatamente, lo que evita el riesgo de corrosión en la máquina. En los casos en que no comience a lavar inmediatamente, haga funcionar la máquina vacía en el programa más corto.



Dado que las diferentes marcas de sal en el mercado tienen diferentes tamaños de partículas y dado que la dureza del agua puede variar, la disolución de la sal en el agua puede tardar un par de horas. Por lo tanto, el Indicador de sal permanece encendido por un tiempo después de agregar sal a la máquina.

10. CUIDADO Y MANTENIMIENTO



ADVERTENCIA: Antes de limpiar o realizar el mantenimiento, apague el electrodoméstico, desconecte la fuente de alimentación y cierre el grifo de agua.



ADVERTENCIA: No repare ni reemplace ninguna parte del lavavajillas ni intente dar algún mantenimiento a menos que este manual lo recomiende específicamente. Recomendamos que el lavavajillas solo sea reparado por un agente de servicio autorizado.



PRECAUCIÓN: Para evitar la posibilidad de resbalones, mantenga el piso alrededor del lavavajillas limpio y seco. Mantenga su electrodoméstico libre de la acumulación de materiales combustibles, como pelusas, trapos y productos químicos. Si el lavavajillas no se usa durante un período prolongado de tiempo, le recomendamos verificar que las cestas estén vacías, dejar el interior del lavavajillas limpio, la puerta ligeramente abierta para permitir que el aire circule, desconectar la alimentación y el suministro de agua al lavavajillas.

10.1 CUIDADO DEL EXTERIOR DE SU LAVAVAJILLAS



PRECAUCIÓN: Posible daño en el lavavajillas. Los limpiadores abrasivos, los estropajos, los paños abrasivos (toallas de papel) pueden dañar la puerta decorativa del lavavajillas.

Limpieza del panel de control: Use solo un paño suave ligeramente humedecido con un detergente suave. Limpie el panel de control solo con un paño húmedo y agua limpia.

Limpieza de las puertas de colores: Use solo un paño suave ligeramente humedecido con un detergente suave.

Limpieza de las puertas de acero inoxidable: Use un paño suave con un limpiador hecho para limpiar acero inoxidable. Para obtener los mejores resultados, aplique el limpiador de acero inoxidable a un paño suave y limpie la superficie en la dirección del grano.

Limpieza de la junta de la puerta: Limpie regularmente la junta de la puerta con un paño húmedo para eliminar las partículas de comida y otros residuos. Use un limpiador doméstico suave para el exterior y los sellos de la puerta, y enjuague bien.

10.2 CUIDADO DEL INTERIOR DE SU LAVAVAJILLAS



AVISO: La limpieza de su lavavajillas a intervalos regulares garantiza una mayor vida útil del producto y reduce el riesgo de problemas recurrentes. Desconecte siempre la alimentación de la máquina antes de limpiarla.

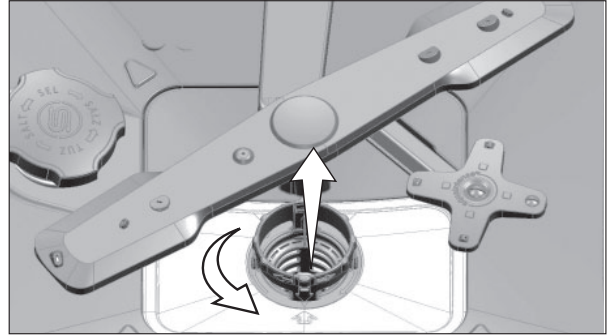


PRECAUCIÓN: Al limpiar la parte inferior del filtro principal, se debe tener cuidado con el borde exterior afilado para evitar el riesgo de lesiones por cortes.

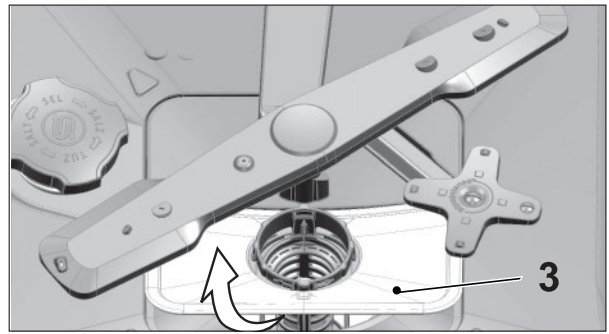
10.3 LIMPIEZA DE LOS FILTROS

Limpie los filtros al menos una vez a la semana para que la máquina funcione de manera eficiente. Verifique si quedan restos de comida en los filtros. Si hay restos de comida en los filtros, sáquelos y límpielos bien con agua corriente.

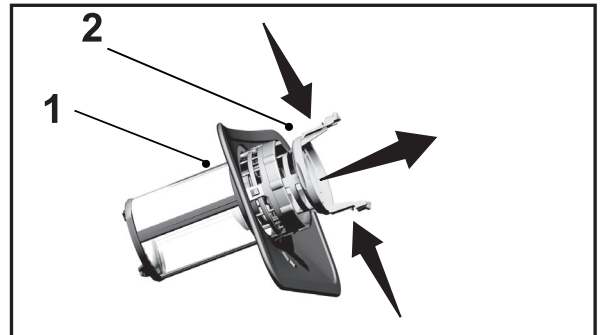
1. Gire el montaje de microfiltro (1) y filtro grueso (2) hacia la izquierda y tire hacia arriba.



2. Saque el filtro de metal/plástico (3).



3. Presione las dos pestañas del filtro grueso hacia adentro y separe el filtro grueso del montaje.



4. Limpie los tres filtros con agua corriente por medio de un cepillo.
5. Reemplace el filtro de metal/plástico.
6. Coloque el filtro grueso en el microfiltro. Asegúrese de que esté correctamente colocado. Gire el filtro grueso hacia la derecha hasta que escuche un "clic".



No use el lavavajillas sin filtro.

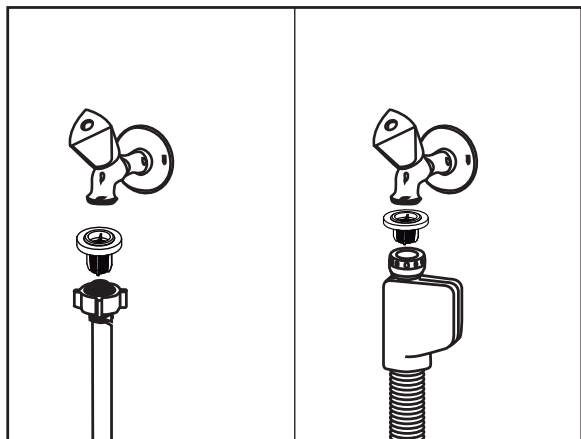


La colocación incorrecta de los filtros reducirá la eficiencia del lavado.

10.4 LIMPIEZA DEL FILTRO DE LA MANGUERA

Los daños en la máquina que pueden ser causados por impurezas provenientes del suministro de agua o su propia instalación de agua (como arena, suciedad, óxido, etc.) se pueden evitar mediante el filtro conectado a la manguera de entrada de agua. Revise el filtro y la manguera regularmente, y límpielos si es necesario.

1. Cierre el grifo y retire la manguera.
2. Retire el filtro y limpie debajo del agua corriente del grifo.
3. Coloque el filtro limpio nuevamente en su lugar en la manguera.
4. Instale la manguera en el grifo.

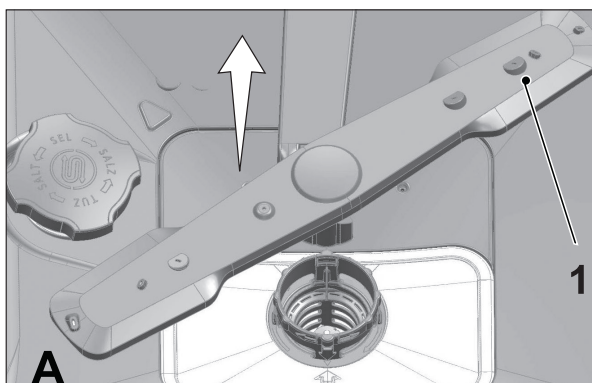


10.5 LIMPIEZA DE LOS BRAZOS DE LAVADO

Limpe los brazos de lavado al menos una vez a la semana para que la máquina funcione de manera eficiente.

BRAZOS DE LAVADO INFERIORES

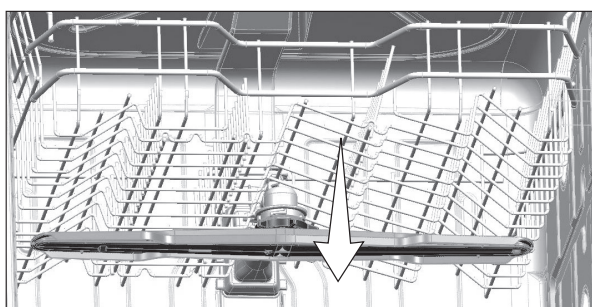
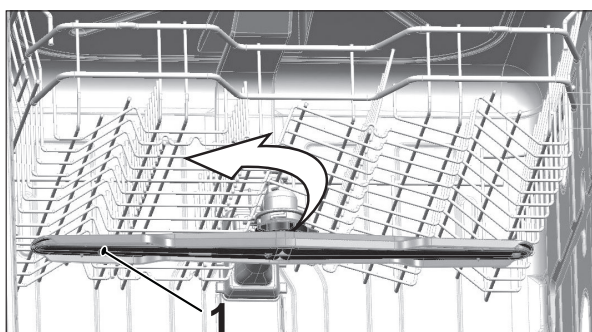
Verifique si los orificios en los brazos de lavado inferiores (1) están obstruidos. Si están obstruidos, retire y limpie el impulsor. Tire de los brazos de lavado inferiores hacia arriba para extraerlo.



BRAZOS DE LAVADO SUPERIORES

Verifique si los orificios en el impulsor superior (1) están obstruidos. Si están obstruidos, retire y limpie los brazos de lavado. Gire la tuerca hacia la izquierda para remover los brazos de lavado superiores.

Asegúrese de que la tuerca esté bien apretada cuando instale los brazos de lavado superiores.



11. SOLUCIÓN DE PROBLEMAS

La máquina no arranca.

- Fuente de alimentación no conectada. >>> Verifique la fuente de alimentación principal.
- El interruptor está fundido. >>> Verifique el interruptor de su casa.
- El agua no entra en la máquina. >>> Asegúrese de que el grifo de entrada de agua esté abierto.
- La puerta de la máquina está abierta. >>> Asegúrese de haber cerrado la puerta de la máquina.
- El botón de Encendido/Apagado no está presionado. >>> Asegúrese de haber encendido la máquina presionando el botón de Encendido/Apagado.
- Tecla Inicio/Pausa/Cancelar parpadea >>> prensa y cerrar la puerta para empezar Cierre la puerta inmediatamente después de presionar Inicio

Los platos no se lavan.

- Los platos no se colocan de forma ordenada en la máquina. >>> Cargue los platos como se describe en el manual del usuario.
- El programa seleccionado no es el adecuado. >>> Seleccione un programa con una temperatura y un tiempo de ciclo más altos.
- Los brazos de lavado están atascados. >>> Antes de comenzar el programa, gire los brazos de lavado inferior y superior con la mano para asegurarse de que giren libremente.
- Los orificios de los brazos de lavado están obstruidos. >>> Los orificios de los brazos de lavado inferior y superior pueden estar obstruidos con pequeñas partículas de comida y residuos. Limpie los brazos de lavado regularmente como se ilustra en la sección "Limpieza y cuidado".
- Los filtros están obstruidos. >>> Verifique si el sistema de filtro está limpio. Limpie el sistema de filtro regularmente como se ilustra en la sección "Limpieza y cuidado".
- Los filtros están instalados incorrectamente. >>> Verifique el sistema de filtro y asegúrese de que esté instalado correctamente.
- Las cestas están sobrecargadas. >>> No sobrecargue las cestas en exceso de su capacidad.
- El detergente se almacena en condiciones inadecuadas. >>> Si usa detergente en polvo, no guarde el paquete de detergente en lugares húmedos. Guárdelo en un contenedor cerrado si es posible. Para facilitar el almacenamiento, recomendamos detergentes en tabletas.
- El detergente no es suficiente. >>> Si usa detergente en polvo, ajuste la cantidad de detergente de acuerdo con el grado de suciedad de sus platos o las definiciones de programa. Recomendamos detergentes en tabletas para obtener resultados óptimos.
- El abrillantador no es suficiente. >>> Verifique el indicador de abrillantador y añada abrillantador si es necesario. Aumente la configuración del abrillantador si hay suficiente cantidad de abrillantador en la máquina.
- La tapa del dispensador de detergente se deja abierta. >>> Asegúrese de que la tapa del dispensador de detergente esté bien cerrada después de agregar detergente.

Los platos no están secos al final del ciclo.

- Los platos no se colocan de forma ordenada en la máquina. >>> Coloque sus platos de forma que no se acumule agua en ellos.
- El abrillantador no es suficiente. >>> Verifique el indicador de abrillantador y añada abrillantador si es necesario. Aumente la configuración del abrillantador si hay suficiente cantidad de abrillantador en la máquina.
- La máquina se descarga inmediatamente después de que el programa termina. >>> No descargue su máquina inmediatamente después de completar el proceso de lavado. Abra ligeramente la puerta y espere a que escape el vapor dentro de la unidad. Descargue los platos después de que las piezas se hayan enfriado a un nivel palpable. Comience el proceso de descarga desde la cesta inferior para evitar que caiga agua de los artículos de la cesta superior sobre los artículos de la cesta inferior.
- El programa seleccionado no es el adecuado. >>> Debido a que la temperatura de enjuague es baja en el programa de corta duración, el rendimiento de secado también será bajo. Seleccione el programa con mayor duración para un mejor rendimiento de secado.
- La calidad de la superficie de los utensilios de cocina está deteriorada. >>> El rendimiento de lavado deseado no puede obtenerse para utensilios de cocina con superficies deterioradas y tampoco es adecuado usar dichos utensilios en términos de higiene. Además, el agua no puede fluir fácilmente en superficies deterioradas. No se recomienda lavar tales utensilios de cocina en el lavavajillas.



Es normal que se puedan experimentar quejas de secado con utensilios de cocina antiadherentes. Está asociado con la estructura de antiadherente. Como las tensiones superficiales del antiadherente y el agua son diferentes, las gotas de agua permanecerán como cuentas en la superficie antiadherente.

Manchas residuales en los platos cuando el ciclo se ha completado.

- El programa seleccionado no es el adecuado. >>> Seleccione un programa con una temperatura y un tiempo de ciclo más altos.
- La calidad de la superficie de los utensilios de cocina está deteriorada. >>> Las manchas de té y café u otras manchas no se deben limpiar en el lavavajillas cuando hayan penetrado en superficies deterioradas. El rendimiento de lavado deseado no puede obtenerse para utensilios de cocina con superficies deterioradas y tampoco es adecuado usar dichos utensilios en términos de higiene. No se recomienda lavar tales utensilios de cocina en el lavavajillas.
- El detergente se almacena en condiciones inadecuadas. >>> Si usa detergente en polvo, no guarde el paquete de detergente en lugares húmedos. Guárdelo en un contenedor cerrado si es posible. Para facilitar el almacenamiento, recomendamos detergentes en tabletas.

Las huellas de cal permanecen en los platos y la cristalería gana una apariencia empañada.

- El abrillantador no es suficiente. >>> Verifique el indicador de abrillantador y añada abrillantador si es necesario. Aumente la configuración del abrillantador si hay suficiente cantidad de abrillantador en la máquina.
- La configuración de la dureza del agua es baja o el nivel de sal es insuficiente >>> Mida la dureza del agua de suministro de manera apropiada y verifique la configuración de dureza del agua.
- Existe una fuga de sal. >>> Preste atención para no derramar sal alrededor del orificio de llenado de sal mientras agrega sal. Asegúrese de que la tapa del depósito de sal esté bien cerrada después de terminar el proceso de llenado. Ejecute el programa Enjuagar y mantener para eliminar la sal que se derramó dentro de la máquina. Dado que los gránulos de sal que quedarán debajo de la tapa se disolverán durante el programa Enjuagar y mantener, lo que hace que la tapa se afloje, verifique la tapa una vez más al final del programa.

Hay un olor diferente en la máquina.



Una máquina nueva tiene un olor peculiar. Se desvanecerá después de un par de lavados.

- Los filtros están obstruidos. >>> Verifique si el sistema de filtro está limpio. Limpie el sistema de filtro regularmente como se ilustra en la sección "Limpieza y cuidado".
- Los platos sucios se mantienen en el lavavajillas durante 2 a 3 días. >>> Si no va a encender la máquina inmediatamente después de colocar los platos, retire los restos de los platos y ejecute el programa Enjuagar y mantener sin detergente cada 2 días. En tales casos, no cierre la puerta de la máquina completamente para evitar la acumulación de olores en la máquina. También puede usar removedores de olor o limpiadores de máquinas disponibles en el mercado.

Se produce óxido, decoloración o deterioro de la superficie en los platos.

- Existe una fuga de sal. >>> La sal puede causar deterioro y oxidación en superficies metálicas. Preste atención para no derramar sal alrededor del orificio de llenado de sal mientras agrega sal. Asegúrese de que la tapa del depósito de sal esté bien cerrada después de terminar el proceso de llenado. Ejecute el programa Enjuagar y mantener para eliminar la sal que se derramó dentro de la máquina. Dado que los gránulos de sal que quedarán debajo de la tapa se disolverán durante el programa Enjuagar y mantener, lo que hace que la tapa se afloje, verifique la tapa una vez más al final del programa.
- Los restos de comida salada se han mantenido en los platos durante mucho tiempo. >>> Si los artículos de plata sucios con ciertos alimentos se mantendrán en espera en la máquina, las partículas de alimentos se deben eliminar mediante prelavado o los platos deben lavarse sin mantenerlos en espera.
- La instalación eléctrica no está conectada a tierra. >>> Verifique si su máquina está conectada a la línea de tierra real. De lo contrario, la electricidad estática creada en el producto causa arcos en las superficies de los artículos de metal lo que crea poros, elimina la cubierta protectora en la superficie y causa decoloración.
- Se usan limpiadores intensivos tales como blanqueadores. >>> La cubierta protectora en las superficies de metal se daña y pierde su eficacia con el tiempo cuando entra en contacto con limpiadores como el blanqueador. No lave los platos con blanqueador.
- Los artículos de metal, como los cuchillos, se usan especialmente para fines distintos de los usos previstos. >>> La cubierta protectora en los bordes de los cuchillos puede dañarse cuando se utilizan para fines tales como abrir latas. No use utensilios metálicos de cocina fuera de sus usos previstos.
- Los artículos de plata están hechos de acero inoxidable de baja calidad. >>> La corrosión en tales artículos es inevitable; no deben lavarse en el lavavajillas.
- Los utensilios de cocina que ya están corroídos se lavan en el lavavajillas. >>> El óxido en un artículo corroído puede migrar a otras superficies de acero inoxidable y causar corrosión en esas superficies también. Tales artículos no deben lavarse en el lavavajillas.

El detergente permanece en el dispensador de detergente.

- El dispensador de detergente estaba húmedo al agregar detergente. >>> Asegúrese de que el dispensador de detergente esté bien seco antes de llenarlo con detergente.
- El detergente se agrega mucho antes del proceso de lavado. >>> Preste atención para agregar detergente poco antes de la puesta en marcha del lavado.
- La apertura de la tapa del dispensador de detergente se evita durante el lavado. >>> Coloque los platos de una manera que no evite que la tapa del dispensador de detergente se abra y que el agua ingrese a la máquina desde los impulsores.
- El detergente se almacena en condiciones inadecuadas. >>> Si usa detergente en polvo, no guarde el paquete de detergente en lugares húmedos. Guárdelo en un contenedor cerrado si es posible. Para facilitar el almacenamiento, le recomendamos que use detergentes en tabletas.
- Los orificios de los brazos de lavado están obstruidos. >>> Los orificios del brazo de lavado inferior y superior pueden estar obstruidos con restos de comida. Limpie el brazo de lavado regularmente como se ilustra en la sección "Limpieza y cuidado".

Las decoraciones y adornos en los utensilios de cocina se están borrando.



Los vasos decorados y las porcelanas de brillo decorado no son adecuados para lavarse en el lavavajillas. Los fabricantes de artículos de cristalería y vajilla de porcelana tampoco recomiendan lavar tales utensilios de cocina en los lavavajillas.

Los platos están rayados.



Los utensilios de cocina que contienen o están hechos de aluminio no deben lavarse en el lavavajillas.

- Existe una fuga de sal. >>> Preste atención para no derramar sal alrededor del orificio de llenado de sal mientras agrega sal. La sal derramada puede causar rayones. Asegúrese de que la tapa del depósito de sal esté bien cerrada después de terminar el proceso de llenado. Ejecute el programa Enjuagar y mantener para eliminar la sal que se derramó dentro de la máquina. Dado que los gránulos de sal que quedarán debajo de la tapa se disolverán durante el programa Enjuagar y mantener, lo que hace que la tapa se afloje, verifique la tapa una vez más al final del programa.
- La configuración de la dureza del agua es baja o el nivel de sal es insuficiente. >>> Mida la dureza del agua de suministro de manera apropiada y verifique la configuración de dureza del agua.
- Los platos no se colocan de forma ordenada en la máquina. >>> Cuando coloque los vasos y otros artículos de cristalería en la cesta, apóyelos no contra otros platos, sino contra los bordes o las rejillas de la cesta o el alambre de soporte de vasos. El golpe de los vasos entre sí o con otros platos debido al impacto del agua durante el lavado puede causar roturas o rayones en sus superficies.

Sigue habiendo una mancha en los vasos que se asemeja a la mancha de leche que no se puede quitar cuando se limpia con la mano. Se produce una apariencia azulada/de arcoíris cuando el vaso apunta a la luz.

- Se usa excesivo abrillantador. >>> Reduzca la configuración del abrillantador. Limpie el abrillantador derramado cuando agregue abrillantador.
- La corrosión ha ocurrido en el vaso debido al agua suave. >>> Mida la dureza del agua de suministro de manera apropiada y verifique la configuración de dureza del agua. Si el agua de suministro es suave (<15 gpg), no use sal. Elija programas que se lavan a temperaturas más altas (140-149 grados Fahrenheit). También puede usar detergentes de protección de vidrio que están disponibles comercialmente.

Se forma espuma en la máquina.

- Los platos se lavan a mano con detergente para el lavado a mano, pero no se enjuagan antes de colocarlos en la máquina. >>> Los detergentes para el lavado a mano no contienen antiespumante. No es necesario lavar a mano los platos antes de colocarlos en la máquina. Quite la suciedad pesada en los platos con agua del grifo, con una esponja o toalla.
- El abrillantador se ha derramado en la máquina cuando se le agregó. >>> Tenga cuidado de que el abrillantador no se derrame en la máquina cuando la está llenando. Limpie cualquier abrillantador derramado con la ayuda de un papel tisú/toalla.
- La tapa del depósito de abrillantador se deja abierta. >>> Asegúrese de que la tapa del depósito del abrillantador esté cerrada después de agregar el abrillantador.

Los utensilios de cocina están rotos.

- Los platos no se colocan de forma ordenada en la máquina. >>> Cargue los platos como se describe en el manual del usuario.
- Las cestas están sobrecargadas. >>> No sobrecargue las cestas en exceso de su capacidad.

El agua permanece en el lavavajillas al final del programa.

- Los filtros están obstruidos. >>> Verifique si el sistema de filtro está limpio. Limpie el sistema de filtro regularmente como se ilustra en la sección "Limpieza y cuidado".
- La manguera de descarga está obstruida/bloqueada. >>> Verifique la manguera de descarga. Si es necesario, retire la manguera de descarga, limpie el bloqueo e inserte como se ilustra en el manual del usuario.



Si no puede eliminar el problema aunque siga las instrucciones de esta sección, consulte a su distribuidor o al agente de servicio autorizado. Nunca intente reparar un producto que no funciona usted mismo.

12. CARACTERÍSTICAS TÉCNICAS

Capacidad de carga	
Presión de agua permitida	4,35 - 145 psi (0,3 - 10 bares)
Conexión eléctrica	120 V (voltios), 12 A (amperios), 60 Hz (hercios)
Potencia total	1400 W (vatios)
Potencia del calentador	1100 W (vatios)



AVISO: Debido a que continuamente nos esforzamos por mejorar nuestros productos, podemos cambiar nuestras especificaciones y diseño sin previo aviso.
Este dispositivo corresponde a las siguientes directivas:
Directiva UL 749 para lavavajillas domésticos.

INFORMACIÓN DE SERVICIO

Si se requiere servicio, llame a su agencia de servicio autorizado.

Tenga a mano la siguiente información.

- Número de modelo
- Número de serie
- Fecha de compra
- Nombre del distribuidor al que compró la unidad

Describa claramente el problema que está teniendo. Si no puede obtener el nombre de una agencia de servicio autorizado o si continúa teniendo problemas de servicio, póngase en contacto con Viking Range, LLC llamando al 1-888-845-4641, o escriba a:

VIKING RANGE, LLC
PREFERRED SERVICE
111 Front Street
Greenwood, Mississippi 38930 EE. UU.

Anote la información que se indica a continuación. La necesitará si alguna vez debe solicitar servicio técnico para su unidad. Los números de modelo y de serie se encuentran en una etiqueta de identificación unida al lado izquierdo del tanque. Para acceder, simplemente abra la puerta del lavavajillas.

Número de modelo _____ Número de serie _____

Fecha de compra _____ Fecha de instalación _____

Nombre del distribuidor _____

Dirección _____

Si el servicio técnico requiere instalar piezas, utilice solamente piezas autorizadas para asegurar la protección en virtud de la garantía.

Conserve este manual para futuras consultas.

Viking Range, LLC
111 Front Street
Greenwood, Mississippi 38930
(662)455-1200

Para obtener mayor información sobre productos, llame al 1-888-845-4641 o visite nuestro
sitio web en vikingrange.com