

## 24" Built-In Dishwasher

Dishwasher

Available Products: FDPH4316AB, FDPH4316AD, FDPH4316AS, FDPH4316AW

Available Colors: Black, Black Stainless Steel, Stainless Steel, White

Version: 01/24

## Product Specifications

### Dishwasher

Automatic Temperature Control	Yes
Detergent Dispenser	Yes
Filter Material	Plastic
Filter Trap	Removable
Filtered Water	100 %
Hard Food Disposer or Filtration	Yes
Motor Speeds	Single-Speed
Place Setting Capacity	14
Rinse Aid Dispenser	Yes
Smart Soil Sensor	Yes
Lower Spray Arm	Bi-Beam
Middle Spray Arm	Bi-Beam
Upper Spray Arm	Spray Arm
Tub Color	Midnight Ink
Tub Design	Tall Tub
Tub Material	Plastic
Wash Levels	5
Wash System	Direct Feed
Water Pressure	120 psi
Water Usage	3.2 Gallons

### Dishwasher Options

Air Dry	Yes
Dry - Heat	Yes
Dry - Max	Yes
Drying System	Static Vent
Heated Dry	Yes
High Temperature	Yes
Start/Cancel	Yes
Washing Temperature - High	Yes
Washing Temperature - Sanitize	Yes

### Upper Rack

Cup Shelf	Yes
Minimum Height Clearance	8"
Rack Coating	PVC
Rack Spacer	Yes
Rack Type	Standard

### Exterior

Door and Handle Design	Handle
Door Latch	Pull
Door Type	StayPut

### Dishwasher Cycles

Energy Saver	Yes
Heavy	Yes
Normal	Yes
Number of Cycles	4
Quick	Yes

### Lower Rack

Maximum Height Clearance	13"
Minimum Height Clearance	11"
Number of Silverware Basket	1
Number of Silverware Basket Lids	3
Rack Coating	PVC
Rack Type	Standard

### Controls

Control Location	Top
Delay Start Hours	2-4-6 Hours
Digital Display	No
Control Lock	Yes
Rinse Aid Indicator	Yes

### Dimensions and Volume

Minimum Height	33 1/2"
Maximum Height	35"
Width	24"
Depth	25"
Depth With Door Open	49 1/4"

### Installation

Connection Location	Right Bottom
Number of Leveling Legs	4
Water Inlet Location	Left Bottom Front

### Performance Certifications and Approvals

CEE Tier	Tier 1
ENERGY STAR Certified	Yes

24" Built-In Dishwasher

Dishwasher

Available Products: FDPH4316AB, FDPH4316AD,  
FDPH4316AS, FDPH4316AW

Available Colors: Black, Black Stainless Steel, Stainless Steel,  
White

Version: 01/24

### Electrical Specifications

Amps @ 120 Volts	10 Amps
Connected Load @ 120V	1.2 kW
Voltage Rating	120 V

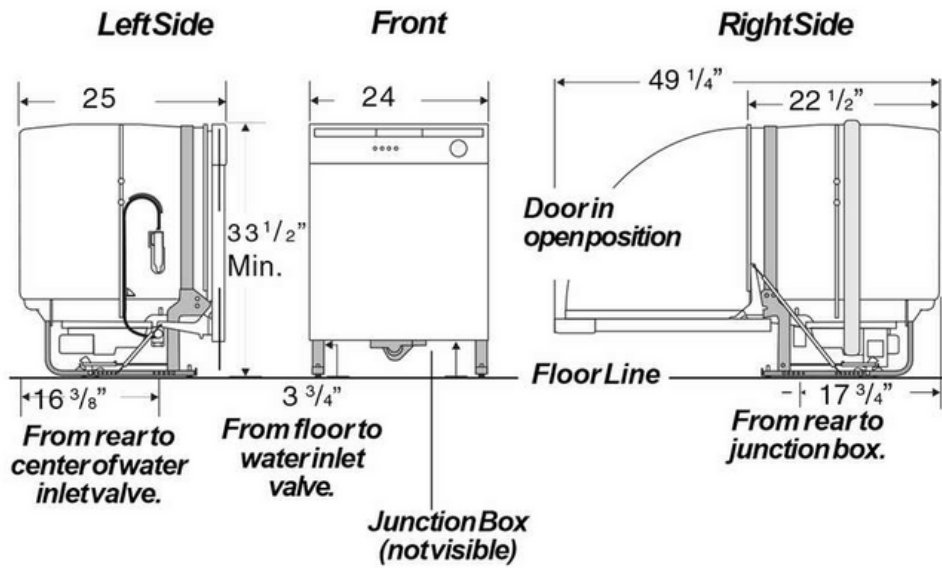
### General Specifications

Sound Level	52 dBA
Annual Energy	240 kWh
Prop 65 Label	Yes
Warranty - Labor	1 Year
Warranty - Parts	1 Year

### Safety Certifications and Approvals

UL Listed	Yes
cUL Listed	Yes
Meets ASSE 1006 Requirements	Yes
NSF Certified	Yes

## Installation Diagram



\*DIMENSIONS DO NOT INCLUDE INSULATION

