



BUILT-IN 36"W. BOTTOM-FREEZER

Viking 5 Series – FDBB

PROCHILL TEMPERATURE MANAGEMENT SYSTEM

- *ENERGY STAR* Qualified
- *Variable Speed DC Overdrive™ Compressor* quickly chills food and saves energy
- Single compressor system is one of the quietest, most technologically advanced compressors available
- Electronic controls maintain even temperatures within one degree °F to keep food fresher longer
- *Odor Eliminator™ Evaporator* removes odors and excess humidity
- Maintenance-free *Super Clog Resistant™ Condenser* prevents dust and other airborne particles from clogging the condenser

FILTER-FREE FRESHNESS

- **EXCLUSIVE** *Plasmacluster™ Ion Air Purifier* uses advanced ion technology to eliminate airborne bacteria, mold, and odors to enhance food preservation
- Functions at 100% capacity and never degrades, never needs replacing, and no maintenance is ever required

LED LIGHTING

- All items are in clear view with bright energy efficient *LED lighting* from top and sidewalls
- Ramp on *theater lighting* provides better visibility

SPECIALIZED REFRIGERATION STORAGE

- Two adjustable *Humidity Zone™ Drawers* with *NEW soft-close slides*
 - Humidity can be set high for leafy greens or low for fruits and vegetables with skins
- Two deli drawers with soft-close slides
- Additional space for large pizza box storage
- Two in-the-door dairy compartments with covers
- Four *Patented (three are adjustable) aluminum door bins* securely store heavy items
- Seamless glass shelves make cleanup easy and maximize usable space
- Adjustable door stops – 90, 110 and 120 degrees

SPECIALIZED FREEZER STORAGE

- Full-extension main freezer compartment pulls out like a drawer for easy access to bulky frozen foods
 - *Opens quietly and easily*, with ball-bearing rollers which glide on a steel track
 - Positive self-closing feature ensures a good seal



- Upper freezer basket slides independently of main freezer compartment; ideal for fragile or frequently used items
- *Adaptive defrost* controls the timing of the defrost periods, instead of an electromechanical defrost timer
- Extends to 96 hours – improves food storage because the unit defrosts less often
- Factory-installed automatic ice maker features *large-capacity* ice bucket
- Door alarm sounds and glows to warn that fresh food door and/or freezer drawer have been ajar for three minutes, and that the temperature has risen above normal operating range

MODEL NUMBERS

- FDBB5363E(R/L) – 36"W. Bottom-Freezer – Custom Panel

ACCESSORIES

- PHK28 – Professional SS handle kit (1 piece)

DESIGN OPTIONS

- Order as right or left mounted hinge
- Custom panel model (FDBB) available to blend seamlessly into cabinetry with locally supplied front panels

WARRANTY

- 2-year full covers complete unit
- 6-year full – sealed refrigeration system
- 90-day full – cosmetic parts such as glass, painted items, and decorative items
- 12-year limited – sealed refrigeration system

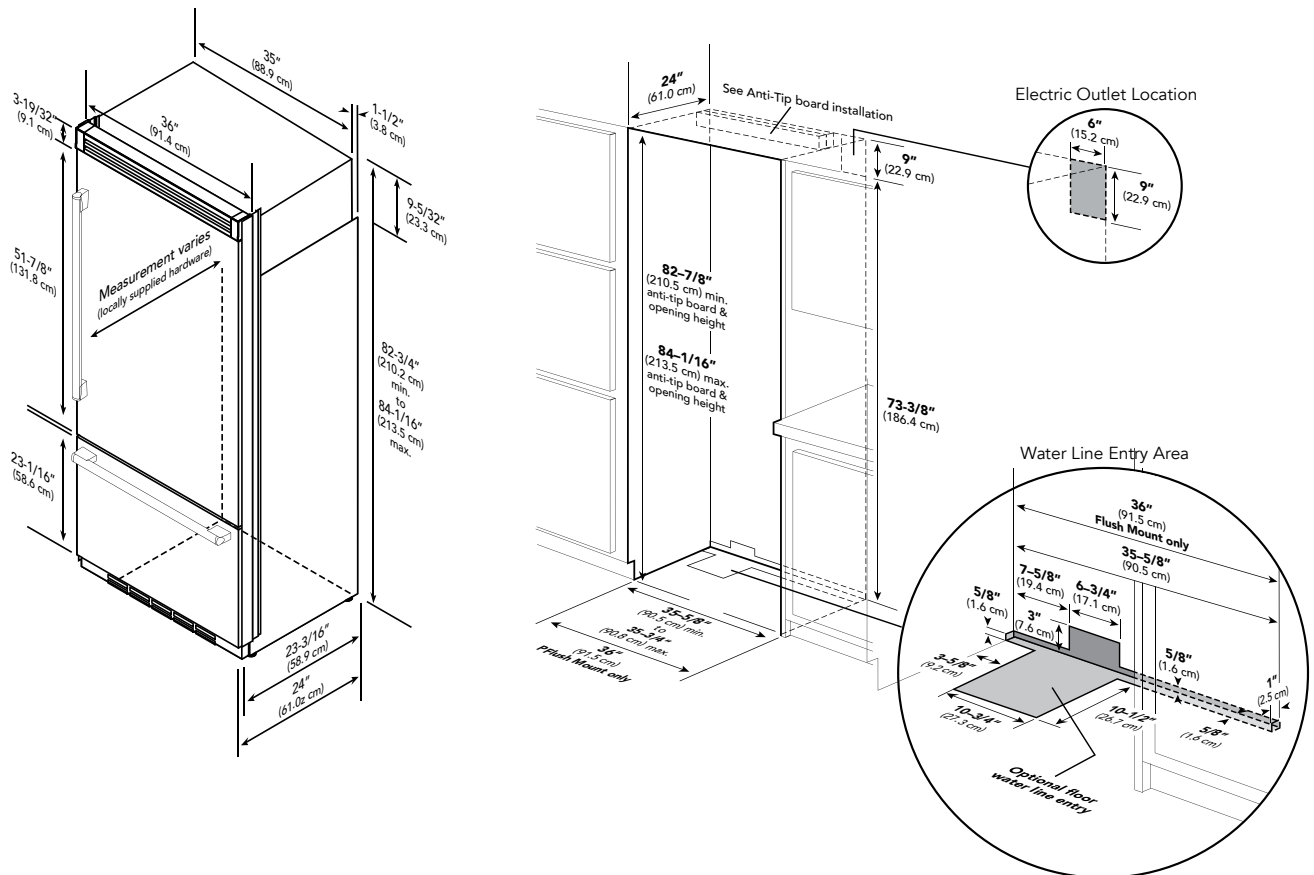


BUILT-IN 36"W. BOTTOM-FREEZER

Viking 5 Series – FDBB

36" BOTTOM-FREEZER	
DESCRIPTION	FDBB5363E
Overall Width	36" (91.5 cm)
Overall Height (from bottom)	82-3/4" (210.2 cm) min. to 84-1/16" (213.5 cm) max.
Overall Depth from rear To front edge of side trim: To front of top grille:	23-3/16" (58.9cm) 24" (61.0 cm)
Cutout Width	36" (91.5 cm)
Cutout Height	82-7/8" (210.5 cm) min. to 84-1/16" (213.5 cm) max.
Cutout Depth	24" (61.0 cm) min.
Electrical Requirements	115 volt, 60 Hz, 15 amp dedicated circuit; 3-wire cord with grounded 3-prong plug attached to product
Maximum Amp Usage	9.9 amps
Maximum Panel Weight	Fresh food 45 lbs. (20.4 kg) Freezer 20 lbs. (9.0 kg)
Inlet Water Requirements	1/4" copper tubing inlet waterline; minimum 20 psi; maximum 120 psi
Overall Interior Dimensions Refrigerator Freezer Total Capacity	15.3 cu. ft. (434 liters) 5.1 cu. ft. (145 liters) 20.4 cu. ft. (578 liters)
Approximate Shipping Weight	500 lb. (227.3 kg)

Please do not prepare installation from brochure data only. See installation instructions for important clearance/installation information.



VIKING RANGE, LLC 111 FRONT STREET GREENWOOD, MISSISSIPPI 38930 USA

For detailed product information, model numbers, or to request a quote call 1-888-845-4641 or visit vikingrange.com
 © 2023 Viking Range, LLC All rights reserved. Specifications subject to change without notice.

