



30" Electric Range with EvenTemp™

Electric Range

Available Products: FCRE3062AB, FCRE3062AS, FCRE3062AW

Available Colors: Black, Stainless Steel, White

Version: 11/23

Product Specifications

Cooking Controls

| | |
|---------------------|-----|
| Bake | Yes |
| Broil | Yes |
| Clock | Yes |
| Cook Time | Yes |
| Delay Clean | Yes |
| Delay Start | Yes |
| Keep Warm | Yes |
| Kitchen Timer | Yes |
| Light | Yes |
| Lockout | Yes |
| Off | Yes |
| Oven Light | Yes |
| Set Clock | Yes |
| Start | Yes |
| Steam Clean | Yes |
| Temperature Display | Yes |
| Timer On / Off | Yes |
| Up / Down Arrow | Yes |
| User Preferences | Yes |
| Warm Zone | Yes |

Oven

| | |
|--------------------------|----------------|
| Bake Element | 2500 Watts |
| Bake Element Pass | 8 |
| Bake Element Type | Hidden |
| Broil Element | 3000 Watts |
| Broil Element Pass | 4 |
| Number of Rack Positions | 6 |
| Oven Interior Color | Midnight Black |
| Oven Light Quantity | 1 |
| Oven Light Type | Halogen |
| Oven Light Watts | 40 Watts |
| Rack Position Type | Embossed |
| Rack Type 1 | Flat |
| Rack Type 1 Quantity | 2 |

Cooking Controls Function

| | |
|---|-----|
| Adjustable Volume Feedback | Yes |
| Change between Continuous Bake Setting or 12-Hour | Yes |
| Energy Saving Feature | |
| Delayed Bake | Yes |
| Program Fahrenheit or Celsius | Yes |

Cooktop

| | |
|-----------------------------|--------|
| Cooking Surface Type | Smooth |
| Element On Indicator Light | Yes |
| Hot-Surface Indicator Light | Yes |
| Keep Warm Zone Light | Yes |

Drawer

| | |
|---------------------|------------|
| Drawer Handle Style | Integrated |
| Drawer Type | Storage |

Display

| | |
|-------------------------|----------|
| Control Location | Rear |
| Display Interface Color | White |
| Display Type | Membrane |

Electrical Specifications

| | |
|--------------------------|---------|
| Connected Load @ 240V | 12 kW |
| Minimum Circuit Required | 40 Amps |
| Voltage Rating | 240 V |

General Specifications

| | |
|------------------|--------|
| Prop 65 Label | Yes |
| Warranty - Labor | 1 Year |
| Warranty - Parts | 1 Year |

Available Products: FCRE3062AB, FCRE3062AS,

Available Colors: Black, Stainless Steel, White

FCRE3062AW

Version: 11/23

Cooktop Performance

| | |
|--|-------------|
| Right Front Element Burner Size | 9" |
| Right Rear Element Burner Size | 6" |
| Left Front Element Burner Size (Small) | 6" |
| Left Front Element Burner Size (Large) | 9" |
| Left Rear Element Burner Size | 6" |
| Right Front Element Burner | 3200 Watts |
| Right Rear Element Burner | 1200 Watts |
| Left Front Element Burner (Small) | 1400 Watts |
| Left Front Element Burner (Large) | 3000 Watts |
| Left Rear Element Burner | 1200 Watts |
| Center Rear Element Burner | 100 Watts |
| Keep Warm Burner Location | Center Rear |

Controls

| | |
|--------------|-----|
| Control Lock | Yes |
|--------------|-----|

Dimensions and Volume

| | |
|--------------------------|-------------|
| Minimum Height | 46 3/4" |
| Maximum Height | 47 3/4" |
| Width | 30" |
| Depth | 26" |
| Depth With Door 90° Open | 47 5/16" |
| Depth With Handle | 28 1/2" |
| Oven Interior Height | 18 1/8" |
| Oven Interior Width | 25 3/16" |
| Oven Interior Depth | 19 7/8" |
| Oven Capacity | 5.3 Cu. Ft. |

Installation

| | |
|--------------------------|-----|
| Adjustable Leveling Legs | Yes |
|--------------------------|-----|

Safety Certifications and Approvals

| | |
|-----------|-----|
| UL Listed | Yes |
| RoHS | Yes |

Installation Diagram

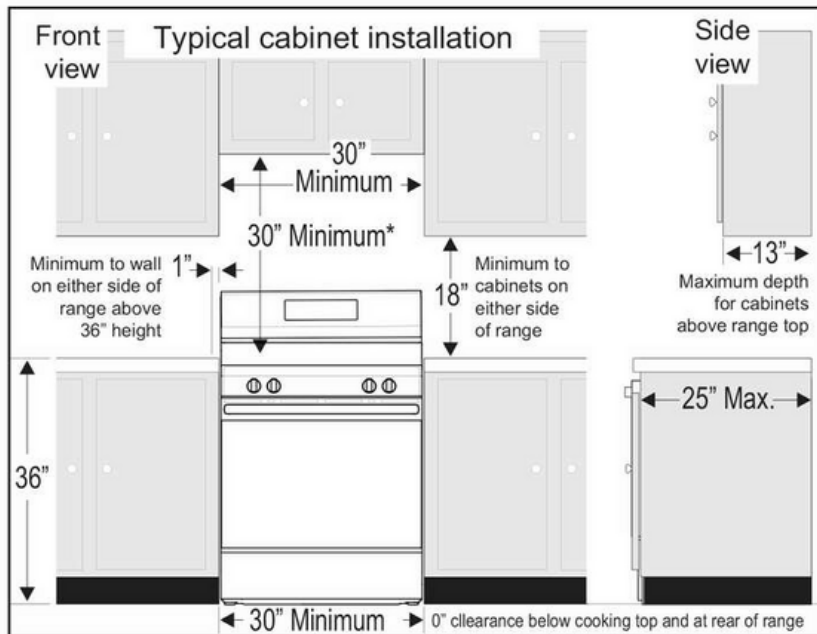


Fig. 1

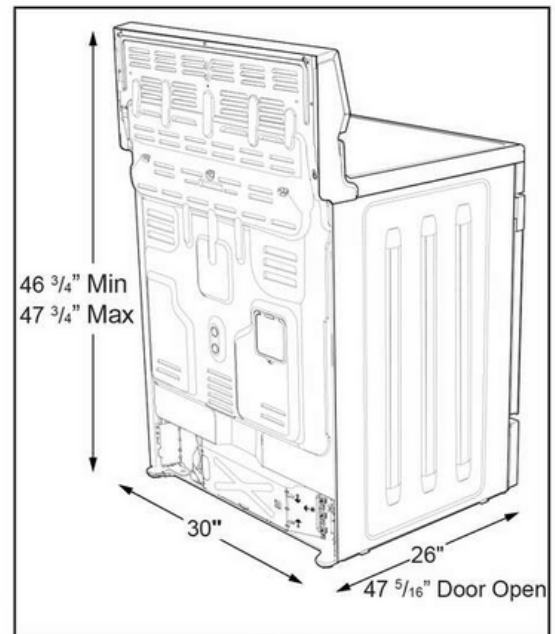


Fig. 2

*30" (762 mm) MINIMUM CLEARANCE BETWEEN THE TOP OF THE COOKING SURFACE AND THE BOTTOM OF AN UNPROTECTED WOOD OR METAL CABINET; OR 24" (610 mm) MINIMUM WHEN BOTTOM OF WOOD OR METAL CABINET IS PROTECTED BY NOT LESS THAN 1/4" (6 mm) FLAME RETARDANT MILLBOARD COVERED WITH NOT LESS THAN NO. 28 MSG SHEET STEEL, 0.015" (0.4 mm) STAINLESS STEEL, 0.024" (0.6 mm) ALUMINUM OR 0.020" (0.5 mm) COPPER. 0" (0 mm) CLEARANCE IS THE MINIMUM FOR THE REAR OF THE RANGE. FOLLOW ALL DIMENSION REQUIREMENTS PROVIDED ABOVE TO PREVENT PROPERTY DAMAGE, POTENTIAL FIRE HAZARD, AND INCORRECT COUNTERTOP AND CABINET CUTS.

TO ELIMINATE THE RISK OF BURNS OR FIRE BY REACHING OVER HEATED SURFACE UNITS, CABINET STORAGE SPACE LOCATED ABOVE THE SURFACE UNITS SHOULD BE AVOIDED. IF CABINET STORAGE IS TO BE PROVIDED, THE RISK CAN BE REDUCED BY INSTALLING A RANGE HOOD THAT PROJECTS HORIZONTALLY A MINIMUM OF 5" (127 mm) BEYOND THE BOTTOM OF THE CABINETS.

