



30" Front Control Electric Range

Electric Range

Available Products: FCFE3083AS

Available Colors: Stainless Steel

Version: 07/22

Product Specifications

Cooktop

Cooking Surface Type	Smooth
Element On Indicator Light	Yes
Hot-Surface Indicator Light	Yes
Keep Warm Zone Light	Yes

Cooking Controls

Bake	Yes
Bake Time	Yes
Broil	Yes
Cancel	Yes
Clock	Yes
Convection Bake	Yes
Cook Time	Yes
Delay Clean	Yes
Delay Start	Yes
Door Lock	Yes
Keep Warm	Yes
Kitchen Timer	Yes
Lockout	Yes
Off	Yes
Oven Light	Yes
Oven Lock	Yes
Preheat	Yes
Self Clean	Yes
Set Clock	Yes
Start	Yes
Temperature Display	Yes
Timed Bake	Yes
Up / Down Arrow	Yes
Warm Zone	Yes

Cooktop Performance

Right Front Element Burner Size	9"
Right Rear Element Burner Size	6"
Left Rear Element Burner Size	6"
Right Front Element Burner	3,200 Watts
Right Rear Element Burner	1,200 Watts
Left Rear Element Burner	1,200 Watts
Center Rear Element Burner	100 Watts
Keep Warm Burner Location	Center Rear
Left Front Element Burner (Large)	3,000 Watts
Left Front Element Burner (Small)	1,400 Watts
Left Front Element Burner Size (Large)	9"
Left Front Element Burner Size (Small)	6"

Cooking Controls Function

Program Fahrenheit or Celsius	Yes
Timed Cooking	Yes

Drawer

Drawer Type	Storage
-------------	---------

Display

Display Interface Color	White
Display Light Color	White
Display Type	LED
Control Location	Front

Electrical Specifications

Amps @ 120 Volts	10 Amps
Amps @ 240 Volts	13 Amps
Minimum Circuit Required	40 Amps
Voltage Rating	240 V

Safety Certifications and Approvals

UL Listed	Yes
RoHS	Yes

Oven

Bake System	Yes
Bake Element Type	Hidden
Bake Element Pass	8
Bake Element	2,500 Watts
Broil System	Yes
Broil Element Pass	6
Broil Element	4,000 Watts
Cleaning System	Yes
Convection	Yes
Convection Type	Fan
Rack Position Type	Embossed
Number of Rack Positions	6
Rack Type 1	Flat
Rack Type 1 Quantity	2
Oven Interior Color	Midnight Black
Oven Light Type	Halogen
Oven Light Quantity	1
Oven Light Watts	40 Watts
Number of Convection Fans	1

Controls

Control Lock	Yes
Sabbath Mode	No

Dimensions and Volume

Width	30"
Depth	26"
Depth With Door 90° Open	47 5/16"
Depth With Handle	28 1/2"
Oven Interior Height	18 1/8"
Oven Interior Width	25 3/16"
Oven Interior Depth	19 7/8"
Minimum Height	35 5/8"
Maximum Height	36 3/8"
Oven Capacity	5.3 Cu. Ft.

General Specifications

Prop 65 Label	Yes
Warranty - Labor	1 Year
Warranty - Parts	1 Year

Installation Diagram

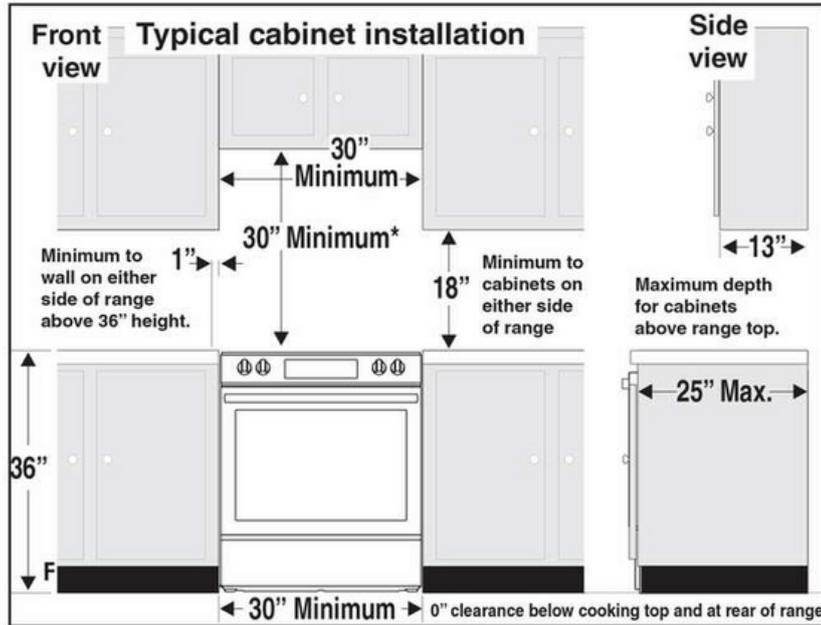


Fig. 1

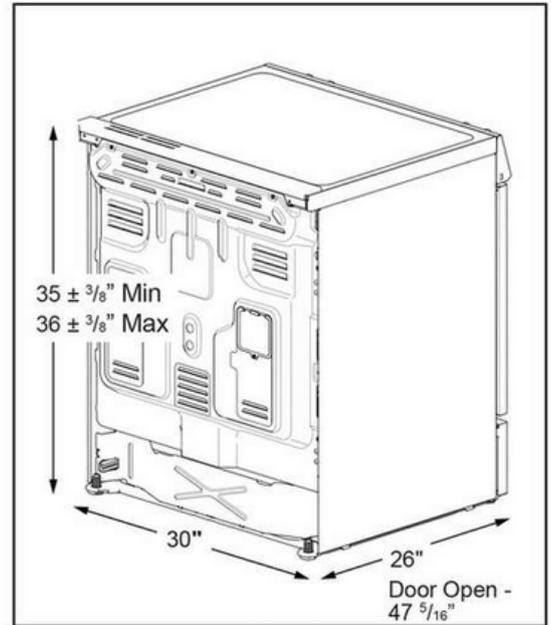


Fig. 2

*30" (762 mm) MINIMUM CLEARANCE BETWEEN THE TOP OF THE COOKING SURFACE AND THE BOTTOM OF AN UNPROTECTED WOOD OR METAL CABINET; OR 24" (610 mm) MINIMUM WHEN BOTTOM OF WOOD OR METAL CABINET IS PROTECTED BY NOT LESS THAN 1/4" (6 mm) FLAME RETARDANT MILLBOARD COVERED WITH NOT LESS THAN NO. 28 MSG SHEET STEEL, 0.015" (0.4 mm) STAINLESS STEEL, 0.024" (0.6 mm) ALUMINUM OR 0.020" (0.5 mm) COPPER. 0" (0 mm) CLEARANCE IS THE MINIMUM FOR THE REAR OF THE RANGE. FOLLOW ALL DIMENSION REQUIREMENTS PROVIDED ABOVE TO PREVENT PROPERTY DAMAGE, POTENTIAL FIRE HAZARD, AND INCORRECT COUNTERTOP AND CABINET CUTS.

TO ELIMINATE THE RISK OF BURNS OR FIRE BY REACHING OVER HEATED SURFACE UNITS, CABINET STORAGE SPACE LOCATED ABOVE THE SURFACE UNITS SHOULD BE AVOIDED. IF CABINET STORAGE IS TO BE PROVIDED, THE RISK CAN BE REDUCED BY INSTALLING A RANGE HOOD THAT PROJECTS HORIZONTALLY A MINIMUM OF 5" (127 mm) BEYOND THE BOTTOM OF THE CABINETS.

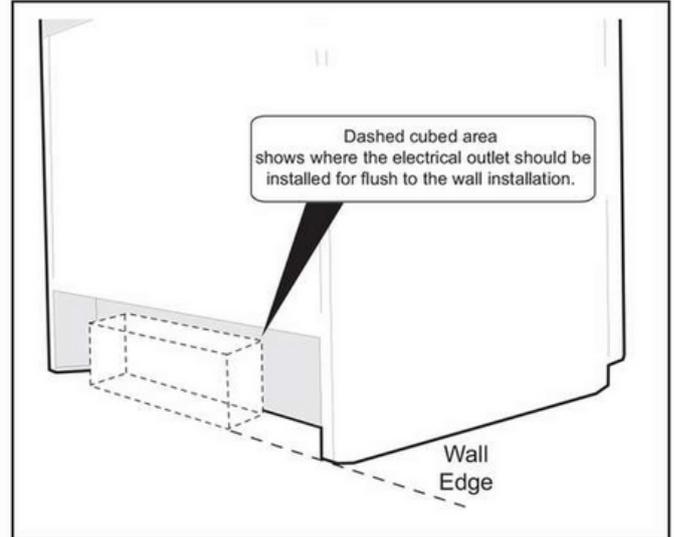


Fig. 3