

ESW 7680

Handleless Gourmet warming drawer, 30-" width and 10 13/16" height for preheating dishware, keeping food warm, and Slow Roasting.



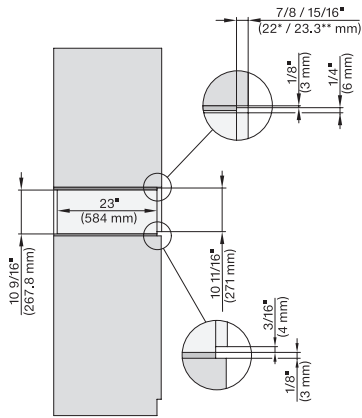
- The ultimate in enjoyment – Slow Roasting
- Always at the right temperature – 4 operating modes
- Convenient and easy – Touch control and Miele@home
- Push2open – opening the drawer couldn't be easier
- Better safe than sorry – timer with automatic switch-off

EAN: 4002516487470 / Material number: 11794880 / Old Material Number: 30768020USA

Construction type and design	
Gourmet drawer	•
PureLine	•
VitroLine	•
ArtLine	•
No Handles	•
Color	Obsidian black
Operating modes	
Warm cups	•
Warm plates	•
Keeping food warm	•
Slow roast	•
User convenience	
Miele@home	•
Capacity	12 place settings
Push2open mechanism	•
Fully telescopic runners for easy loading and unloading	•
Control panel with sensor control	•
Control panel with text	•
Stop programming	•
Timer function	•
Sabbath program	•
Cleaning convenience	
Flush control panel	•
Safety	
Cool front	•
Anti-slip mat	•
Safety cut-out	•
Technical data	
Temperature in °F (°C)	105-185 (40-85)
Appliance width in in. (mm)	29 7/8 (757)
Appliance height in in. (mm)	10 7/8 (275)
Appliance depth in in. (mm)	24 (608)
Useable interior height in in. (mm)	6 3/4 (170)
Total connected load in kW	1.00
Voltage in V	120
Frequency in Hz	60
Fuse rating in A	16
Number of phases	1
Connection wire with plug	•
Wire length in ft. (m)	6 (2.0)
Accessories supplied	
Non-slip liner	1
Rack for increased capacity	1

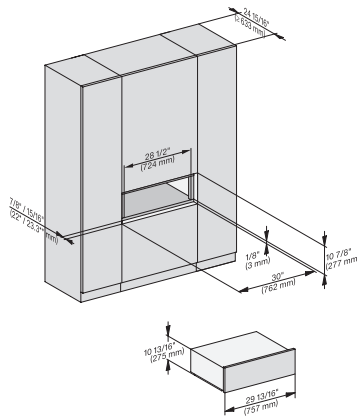
ESW 7680

Handleless Gourmet warming drawer, 30-" width and 10 13/16" height for preheating dishware, keeping food warm, and Slow Roasting.



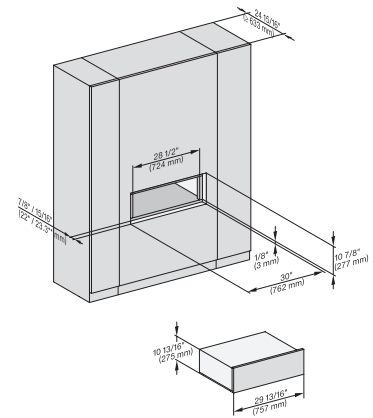
ESW 6x80, ESW 7x80, side view, installation drawing, Flush inset, NA

7/8" – 22" mm – Glas, 15/16" – 23.3" mm – Edelstahl



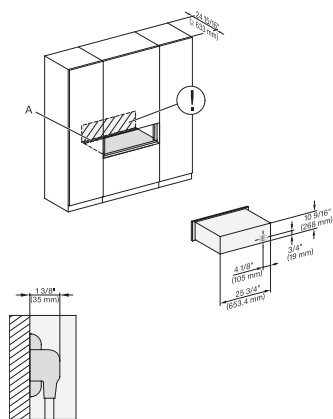
ESW 6x80, ESW 7x80, fitting, installation drawing, Flush inset, NA

7/8" – 22" mm – Glas, 15/16" – 23.3" mm – Edelstahl



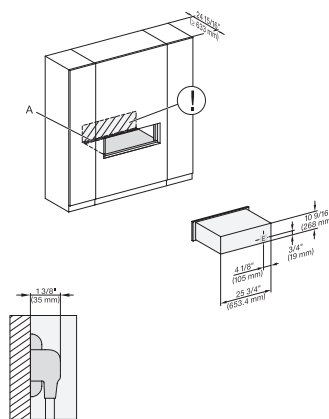
ESW 6x80, ESW 7x80 fitting wide front, installation drawing, Flush inset, NA

7/8" – 22" mm – Glas, 15/16" – 23.3" mm – Edelstahl



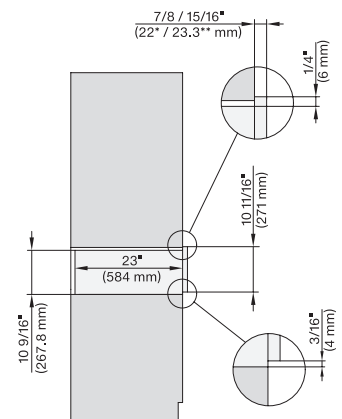
ESW 6x80, ESW 7x80, installation drawing, Flush inset, NA

A – Cut-out (4" x 28" / 100 mm x 720 mm) in the bottom of the cabinet for power cord and ventilation. – Electrical and water supplies are recommended to be placed in adjacent cabinetry. Additional cabinet depth is required when placing the electrical and water supplies behind the appliance. E = Electric connection



ESW 6x80, ESW 7x80, wide front installation, installation drawing, Flush inset, NA

A – Cut-out (4" x 28" / 100 mm x 720 mm) in the bottom of the cabinet for power cord and ventilation. – Electrical and water supplies are recommended to be placed in adjacent cabinetry. Additional cabinet depth is required when placing the electrical and water supplies behind the appliance. E = Electric connection

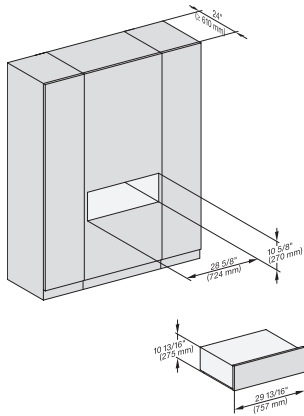


ESW 6x80, ESW 7x80, side view, installation drawing, Flush inset, NA

7/8" – 22" mm – Glas, 15/16" – 23.3" mm – Edelstahl

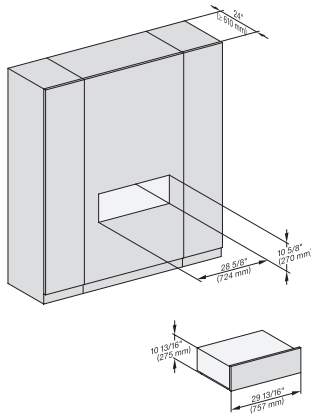
ESW 7680

Handleless Gourmet warming drawer, 30-" width and 10 13/16" height for preheating dishware, keeping food warm, and Slow Roasting.



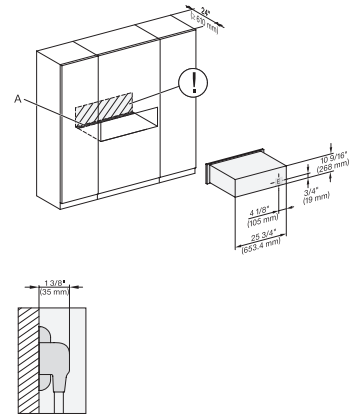
ESW 6x80, ESW7x70, fitting, installation drawing, Proud, NA

7/8" – 22" mm – Glas, 15/16" – 23.3** mm – Edelstahl



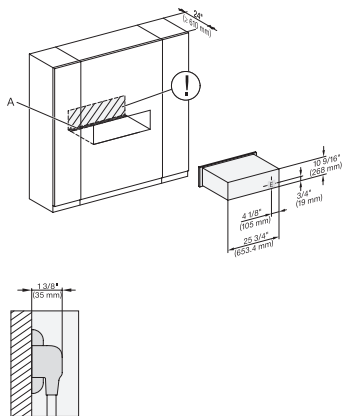
ESW 6x80, ESW 7x80, fitting wide front, installation drawing, Proud, NA

7/8" – 22" mm – Glas, 15/16" – 23.3** mm – Edelstahl



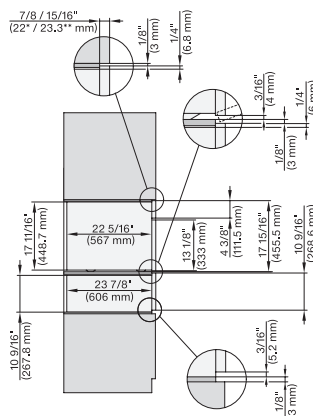
ESW 6x80, ESW7x80, installation installation drawing, Proud, NA

A – Cut-out (4" x 28" / 100 mm x 720 mm) in the bottom of the cabinet for power cord and ventilation. – Electrical and water supplies are recommended to be placed in adjacent cabinetry. Additional cabinet depth is required when placing the electrical and water supplies behind the appliance. E = Electric connection



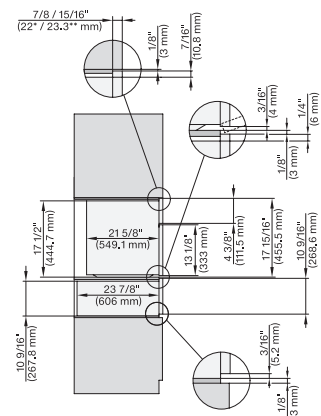
ESW 6x80, ESW7x80, wide front installation, installation drawing, Proud, NA

A – Cut-out (4" x 28" / 100 mm x 720 mm) in the bottom of the cabinet for power cord and ventilation. – Electrical and water supplies are recommended to be placed in adjacent cabinetry. Additional cabinet depth is required when placing the electrical and water supplies behind the appliance. E = Electric connection



DGC 6x00-1 + EBA 6808, ESW 6x80, DGC 7x4x, EBA7848, ESW 7x8x Combi, Installation drawing, Flush inset, NA

7/8" – 22" mm – Glas, 15/16" – 23.3** mm – Edelstahl

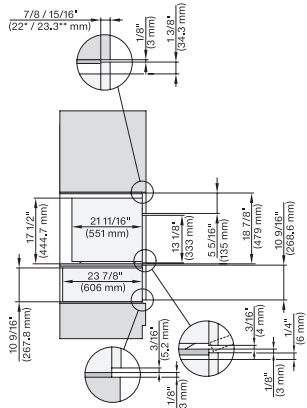


H 6x00 BM + EBA 6808, ESW 6x80, H7x40, EBA7848, ESW7x80 Combi, Installation drawing, Flush inset, NA

7/8" – 22" mm – Glas, 15/16" – 23.3** mm – Edelstahl

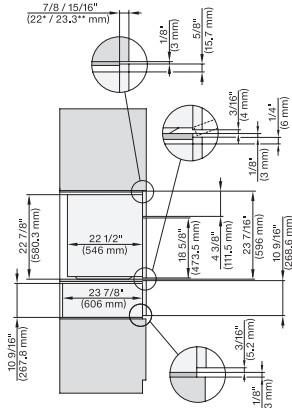
ESW 7680

Handleless Gourmet warming drawer, 30-" width and 10 13/16" height for preheating dishware, keeping food warm, and Slow Roasting.



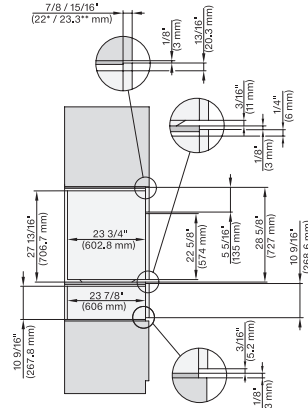
H 6x70 BM, ESW 6x80, H 7x70, ESW 7x80 Combi, Installation drawing, Flush inset, NA

7/8" – 22" mm – Glas, 15 1/16" – 23.3" mm – Edelstahl



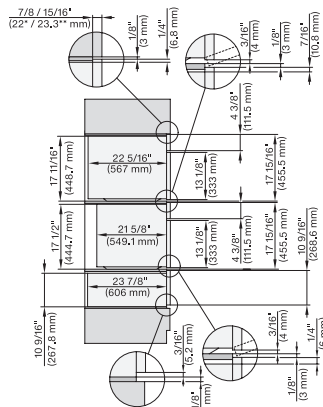
H 6560 B+EBA 6808, H 6x60 BP+EBA 6808, ESW 6x80, H7x6x, EBA7868, ESW 7x10, EVS7010 Combi, Install draw, Flush inset, NA

7/8" – 22" mm – Glas, 15 1/16" – 23.3" mm – Edelstahl



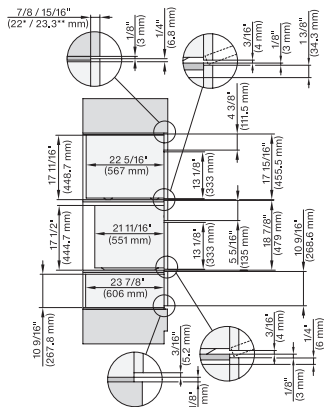
H 6x80 BP, ESW 6x80, H 6x80-2BP, H2x80, H7x80m ESW7x80 Combi, Installation drawing, Flush inset, NA

7/8" – 22" mm – Glas, 15 1/16" – 23.3" mm – Edelstahl



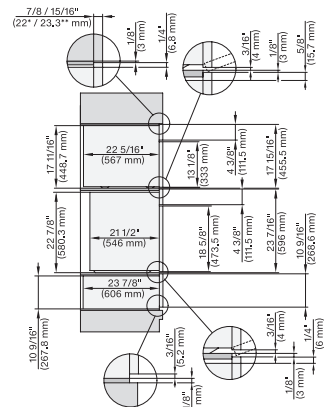
DGC6x00-1+EBA 6808, H6x00+EBA680, ESW6x80,DGC7xxx, EBA7848, H7x40, ESW7x80 Combi,Install draw,Flush inset,Flush inset,NA

7/8" – 22" mm – Glas, 15 1/16" – 23.3" mm – Edelstahl



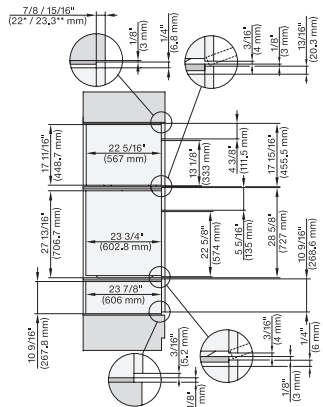
DGC 6x00-1+EBA 6808, H6x70 BM, ESW 6x80, DGC7xxx, EBA7848, H7x70, ESW7x80 Combi, Installation drawing, Flush inset, NA

7/8" – 22" mm – Glas, 15 1/16" – 23.3" mm – Edelstahl



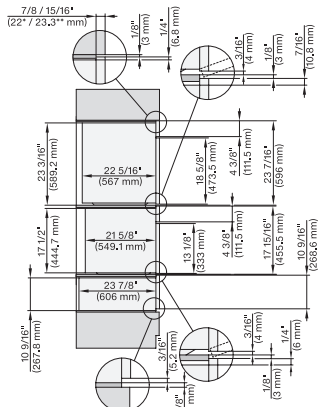
DGC 6x00+EBA6808, H 6560 B, H6x60, ESW6x80, DGC7xxx, EBA7868, H7xxx, ESW7x80 Combi, Install draw., Flush inset, NA

7/8" – 22" mm – Glas, 15 1/16" – 23.3" mm – Edelstahl



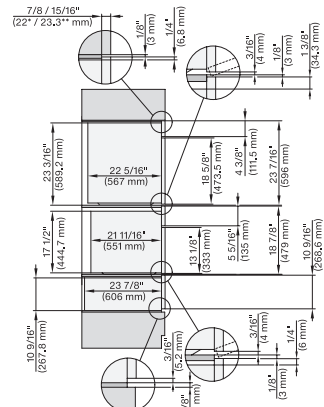
DGC 6x00+EBA 6808, H 6x80, H6x80, ESW 6x80, DGC7xxx, EBA7848, H2xxx, H7xxx, ESW7x80 Combi, Install draw, Flush inset, NA

7/8" – 22" mm – Glas, 15 1/16" – 23.3" mm – Edelstahl



DGC 6x6x (AM)+EBA 6808, H 6x00, ESW 6x80, DGC786x, EBA 78x8, H7x40, ESW7x80 Combi, Installation drawing, Flush inset, NA

7/8" – 22" mm – Glas, 15 1/16" – 23.3" mm – Edelstahl

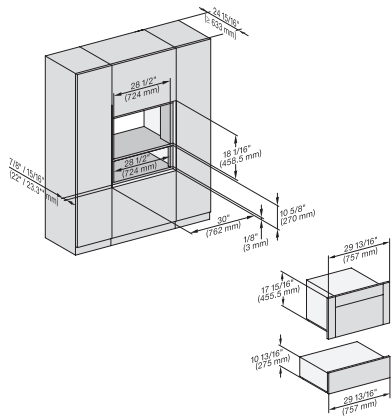


DGC 6x6x (AM)+EBA 6808, H 6x70 BM, ESW 6x80, DGC786x, EBA7868, H7x70, ESE7x80 Combi, Installat drawing, Flush inset, NA

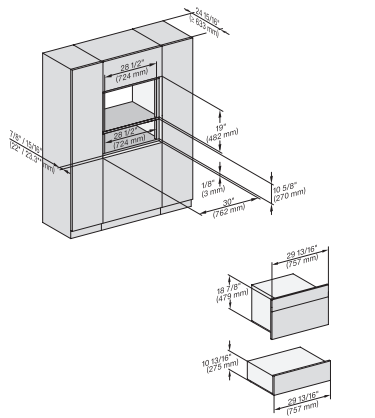
7/8" – 22" mm – Glas, 15 1/16" – 23.3" mm – Edelstahl

ESW 7680

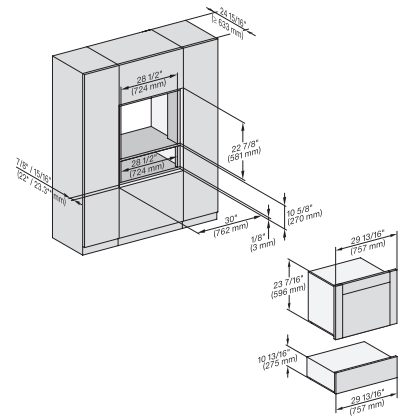
Handleless Gourmet warming drawer, 30-" width and 10 13/16" height for preheating dishware, keeping food warm, and Slow Roasting.



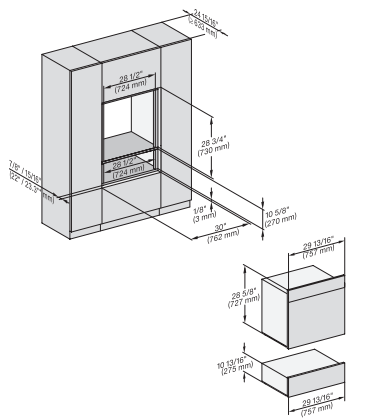
H 6x00+EBA 6808, ESW 6x80, DGC 6x00-1+EBA 6808, DGC7xxx, EBA7848, H7xxx, ESW7x80, Installation drawing, Flush inset, NA



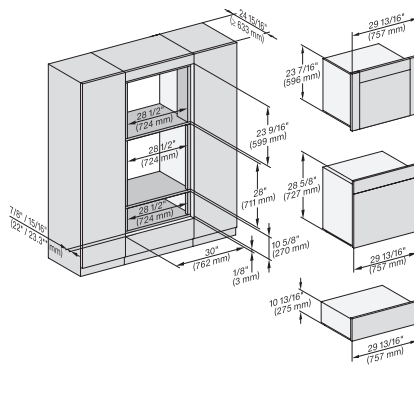
H 6x70 BM, ESW 6x80, DGC7x7x, H7x7x, ESW7x80 Fitting Combi, Installation drawing, Flush inset, NA



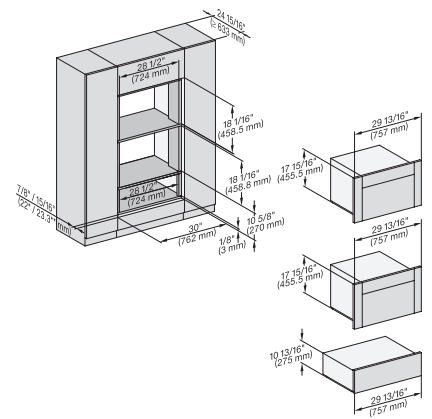
H 6560, H 6x60, DGC 686x+EBA6808, ESW6x80, DGC676x, DGC7xxx, EBA7868, H 7xxx, ESW7x80, Install draw, Flush inset, NA



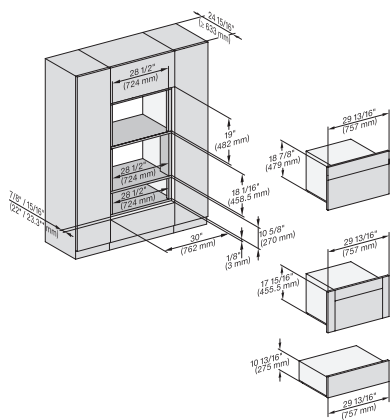
H 6x80 BP, ESW 6x80, H 6x80-2BP, DGC7x8x, H7x8x, ESW7x80, H 2x8x Fitting Combi, Installation drawing, Flush inset, NA



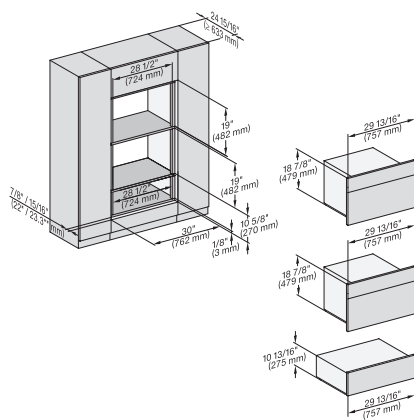
DGC6x6x (AM)+EBA6808, H 6x80, ESW 6x80, H 6x80-2, DGC786x, EBA7868, H 7x80, Fitting Combi, Install draw, Flush inset, NA



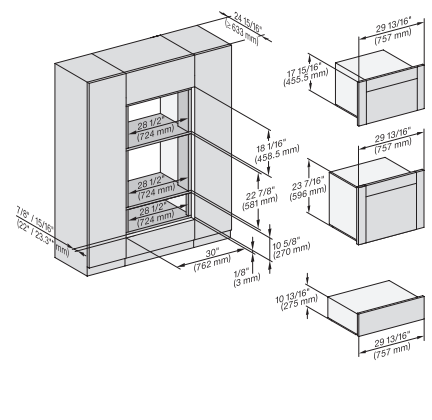
H 6x00+EBA 6808, ESW 6x80, DGC 6x00-1, DGC7x40, EBA7848, H7x40, ESW7x8x, Fitting Combi, Install drawing, Flush inset, NA



H 6x70, H 6x00+EBA 6808, ESW 6x80, DGC 6x00-1, H7xxx, EBA7848, ESW7x80 Fitting Combi, Install drawing, Flush inset, NA



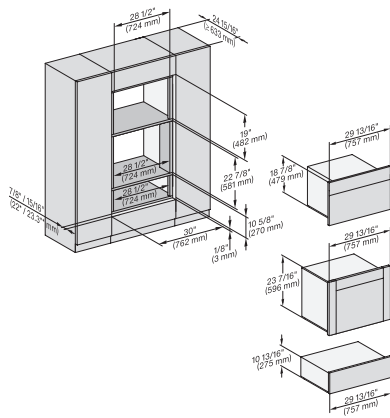
H 6x70 BM, ESW 6x80, H7x70, ESW 7x80 Fitting Combi, Installation drawing, Flush inset, NA



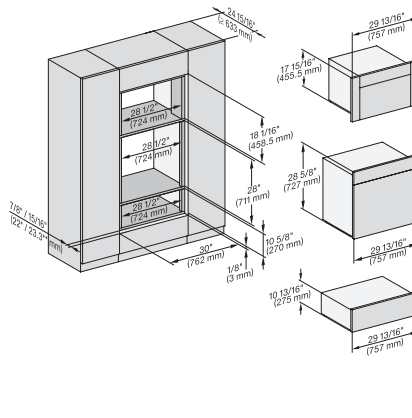
H 6x60 B/BP, H 6x00 BM, DGC 686x AM, DGC 6x00-1+EBA 6808; DGC 676x, ESW 6x80, DGC7x4x, EBA 7x68, H 7xxx, ESW 7x80 NA

ESW 7680

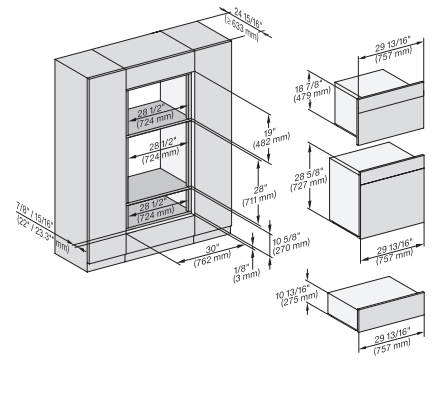
Handleless Gourmet warming drawer, 30-" width and 10 13/16" height for preheating dishware, keeping food warm, and Slow Roasting.



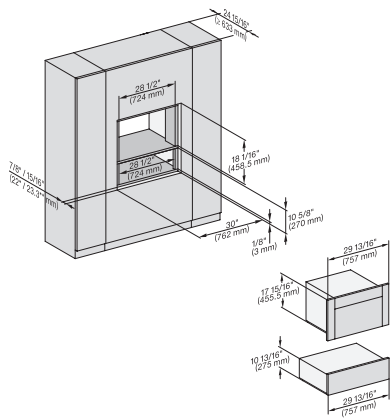
H 6x60 B/BP, DGC 686x AM+ EBA 6808; H 6x70 BM, ESW 6x80, DGC 676x, DGC 7x7x, EBA 7868, ESW7x780, Installation drawing, NA



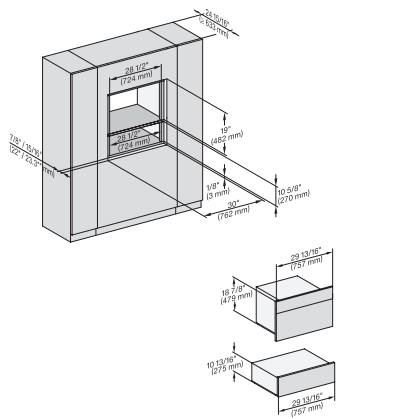
H 6x80 BP, H 6x00 BM + EBA 6808, ESW 6x80, DGC 6x00-1, H 6x80-2BP, DGC7x40, EBA 7848, H2880BP, H7x80BP, Flush inset, NA



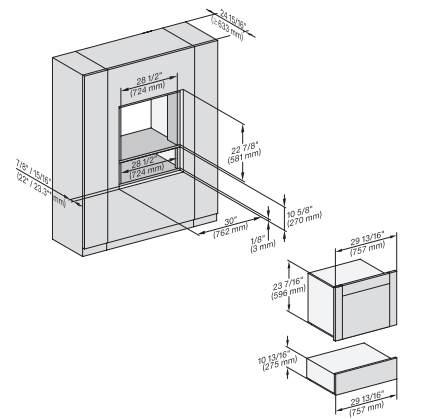
H 6x80 BP, H 6x70 BM, ESW 6x80, H 6x80-2BP, DGC7xxx, H7xxxBM/BMX/BP/BPX, H2x80BP, ESW7x80, Installation drawing, NA



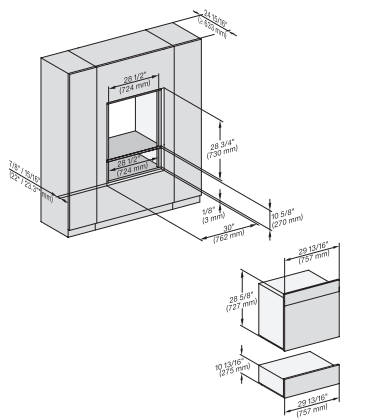
H 6x00 BM + EBA 6808, ESW 6x80, DGC 6x00-1, DGC 7x7x, EBA 7848, H7x40BM, ESW 7x80, Installation drawing, Flush inset, NA



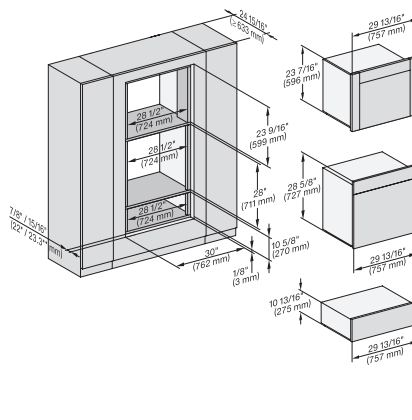
H 6x70 BM, ESW 6x80, DGC7x7x, H7x70 BM/BMX, ESW 7x80 Fitting Combi wide front, Installation drawing, Flush inset, NA



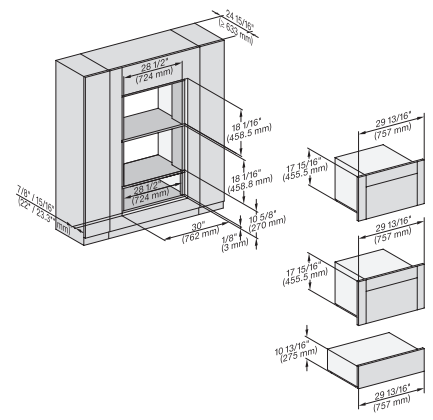
H 6x60 B/BP, DGC 686x AM, EBA 6808; ESW 6x80, DGC 676x, DGC 786x, EBA 7868, H7xxxBP, ESW 7x80 Flush inset, NA



H 6x80 BP, ESW 6x80, H 6x80-2BP, DGC 7x8x, H 2x80BP, H 7x80 BP/BPX, ESW 7x80 Installation drawing, Flush inset, NA



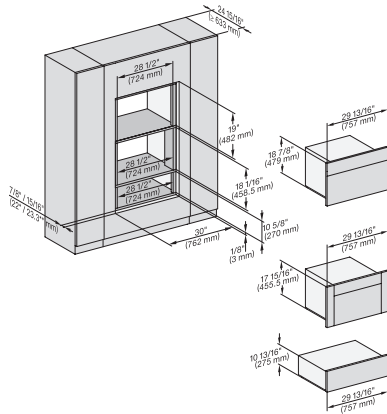
DGC 6x6x (AM) + EBA 6808, H 6x80 BP, ESW 6x80, H 6x80-2BP, DGC 786x, EBA 7868, H7x80BP/BPX, ESW 7x80, Flush inset, NA



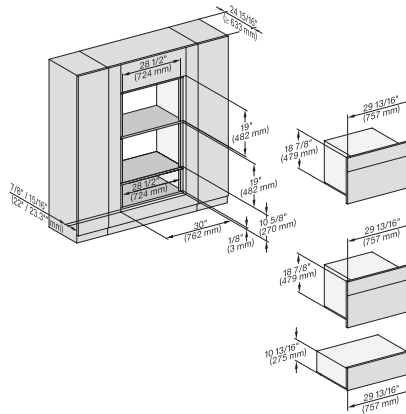
H 6x00 BM + EBA 6808, ESW 6x80, DGC 6x00-1, DGC 7x4x, EBA 7848, H7x4xBM, ESW 7x80, Installation drawing, Flush inset, NA

ESW 7680

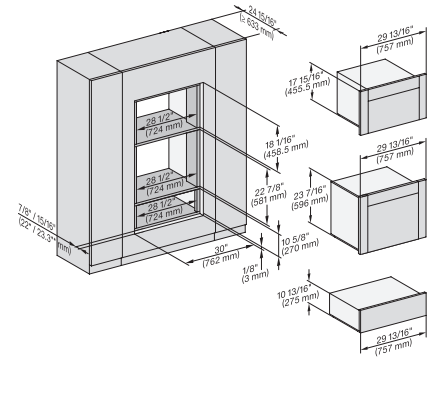
Handleless Gourmet warming drawer, 30"- width and 10 13/16" height for preheating dishware, keeping food warm, and Slow Roasting.



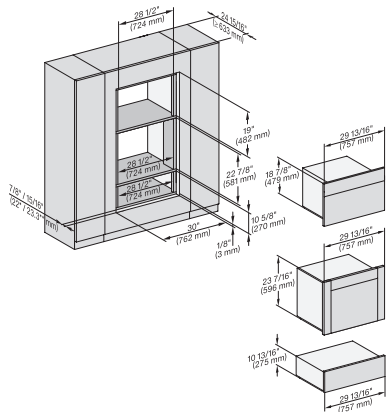
H 6x70 BM, H 6x00 BM + EBA 6808, ESW 6x80, DGC 6x00-1, H 7x7x BM/BMX, EBA 7848, ESW 7x80, Flush inset, NA



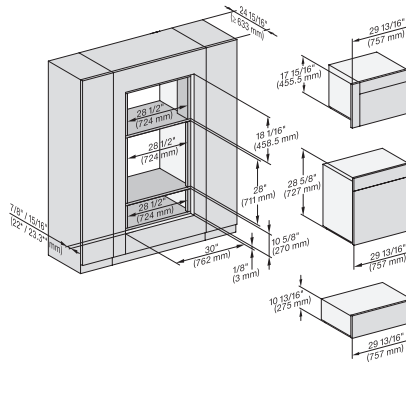
H 6x70 BM, ESW 6x80, H 7x70 BM/BMX, ESW 7x80, Fitting Combi wide front, Installation drawing, Flush inset, NA



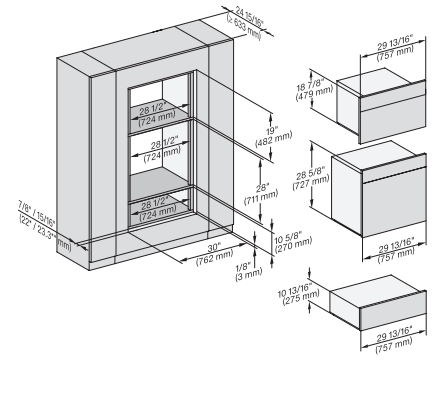
H6x60B/BP, H6x00BM, DGC6xxxAM+EBA; DGC676x, ESW6x80, DGC676x, ESW6x80, DGC7x7x, EBA78x8, H7xxxBM/BP, ESW7x80, NA



(H6560 B, H6x60 BP, DGC686x AM) + EBA6808, H6x70 BM, DGC676x, ESW6x80, DGC7xxx, EBA7868, H7xxxBP, ESW7x80, NA



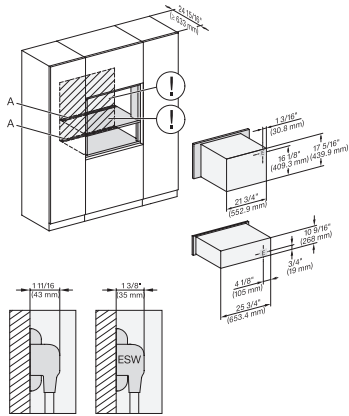
H 6x80 BP, H 6x00 BM + EBA 6808, ESW 6x80, DGC 6x00, H 6x80-2BP, DGC7x4x, EBA7848, H2880BP, H7x80PB, ESW7x80, NA



H 6x80 BP, H 6x70 BM, ESW 6x80, H 6x80-2BP, DGC7x7x, H7xxxBM/BMX/BP, H2xxxBP, ESW7xxx, NA

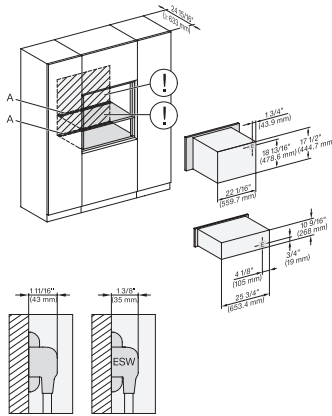
ESW 7680

Handleless Gourmet warming drawer, 30"- width and 10 13/16" height for preheating dishware, keeping food warm, and Slow Roasting.



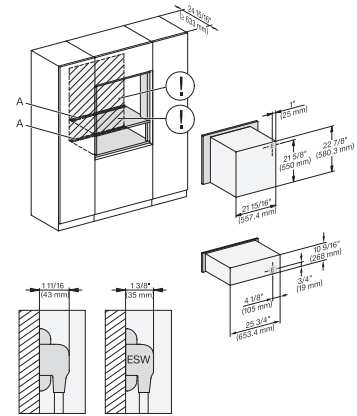
H 6x00 BM + EBA 6808, ESW 6x80, H 7x40BM + EBA 7848 Installation Combi, Installation drawing, Flush inset, NA

A – Cut-out (4" x 28" / 100 mm x 720 mm) in the bottom of the cabinet for power cord and ventilation. – Electrical and water supplies are recommended to be placed in adjacent cabinetry. Additional cabinet depth is required when placing the electrical and water supplies behind the appliance. E = Electric connection



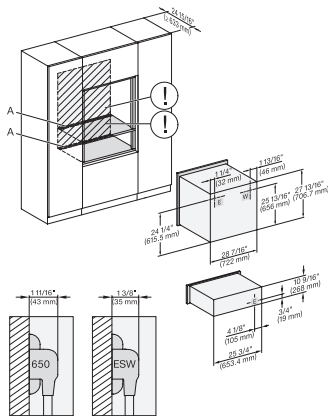
H 6x70 BM, ESW 6x80, H 7x70 BM/BMX, ESW 7x80 Installation Combi, Installation drawing, Flush inset, NA

A – Cut-out (4" x 28" / 100 mm x 720 mm) in the bottom of the cabinet for power cord and ventilation. – Electrical and water supplies are recommended to be placed in adjacent cabinetry. Additional cabinet depth is required when placing the electrical and water supplies behind the appliance. E = Electric connection



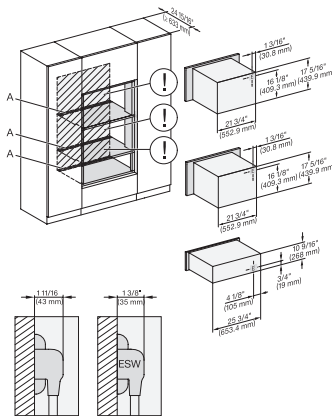
H 6560 B + EBA 6808, H 6x60 BP, ESW 6x80, H 7xxx, EBA 7868, ESW 7x80, Installation drawing, Flush inset, NA

A – Cut-out (4" x 28" / 100 mm x 720 mm) in the bottom of the cabinet for power cord and ventilation. – Electrical and water supplies are recommended to be placed in adjacent cabinetry. Additional cabinet depth is required when placing the electrical and water supplies behind the appliance. E = Electric connection



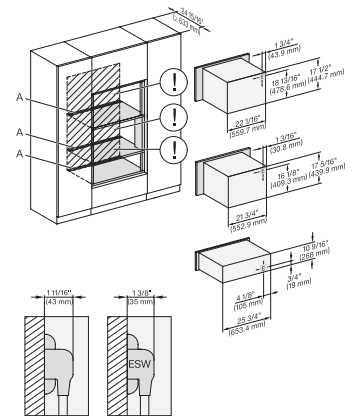
H 6x80 BP, ESW 6x80, H 6x80-2BP, H 2x80BP, H 7xxx BP/BPX, ESW 7x80 Installation drawing, Flush inset, NA

A – Cut-out (4" x 28" / 100 mm x 720 mm) in the bottom of the cabinet for power cord and ventilation. – Electrical and water supplies are recommended to be placed in adjacent cabinetry. Additional cabinet depth is required when placing the electrical and water supplies behind the appliance. E = Electric connection



H 6x00 BM + EBA 6808, ESW 6x80, H7x40BM, EBA7848, ESW7x80 Installation Combi, Installation drawing, Flush inset, NA

A – Cut-out (4" x 28" / 100 mm x 720 mm) in the bottom of the cabinet for power cord and ventilation. – Electrical and water supplies are recommended to be placed in adjacent cabinetry. Additional cabinet depth is required when placing the electrical and water supplies behind the appliance. E = Electric connection

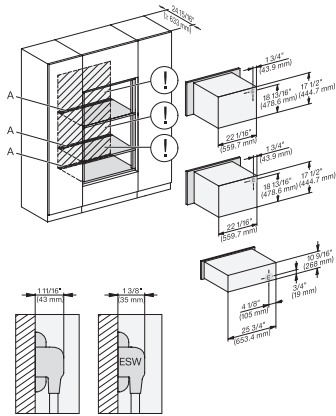


H 6x70 BM, H 6x00 BM + EBA 6808, ESW 6x80, H 7xxxBM/BMX, EBA 7848, ESW 7x80, Installation drawing, Flush inset, NA

A – Cut-out (4" x 28" / 100 mm x 720 mm) in the bottom of the cabinet for power cord and ventilation. – Electrical and water supplies are recommended to be placed in adjacent cabinetry. Additional cabinet depth is required when placing the electrical and water supplies behind the appliance. E = Electric connection

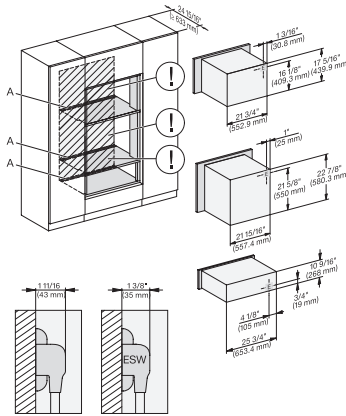
ESW 7680

Handleless Gourmet warming drawer, 30"- width and 10 13/16" height for preheating dishware, keeping food warm, and Slow Roasting.



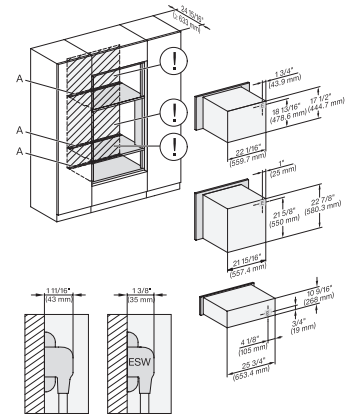
H 6x70 BM, ESW 6x80, H 7x70BM/BMX, ESW 7x80 Installation Combi, Installation drawing, Flush inset, NA

A – Cut-out (4" x 28" / 100 mm x 720 mm) in the bottom of the cabinet for power cord and ventilation. – Electrical and water supplies are recommended to be placed in adjacent cabinetry., Additional cabinet depth is required when placing the electrical and water supplies behind the appliance., E = Electric connection



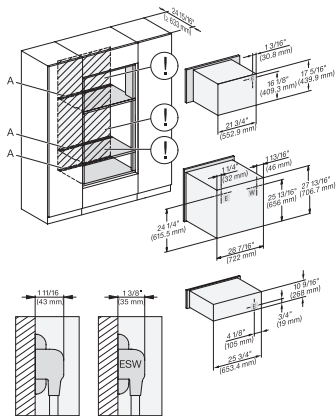
H 6560 B, EBA 6808, H 6x60 BP, H 6x00BM, ESW 6x80, H7xxxBP/BM, EBA 7848, ESW 7x80, Installation drawing, Flush inset, NA

A – Cut-out (4" x 28" / 100 mm x 720 mm) in the bottom of the cabinet for power cord and ventilation. – Electrical and water supplies are recommended to be placed in adjacent cabinetry., Additional cabinet depth is required when placing the electrical and water supplies behind the appliance., E = Electric connection



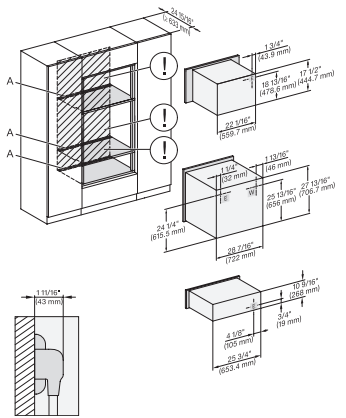
H 6x60 B/BP + EBA 6808, H 6x70 BM, ESW 6x80, H 7xxxBP/BM/BMX, EBA 7868, ESW 7x80 Installation drawing, Flush inset, NA

A – Cut-out (4" x 28" / 100 mm x 720 mm) in the bottom of the cabinet for power cord and ventilation. – Electrical and water supplies are recommended to be placed in adjacent cabinetry., Additional cabinet depth is required when placing the electrical and water supplies behind the appliance., E = Electric connection



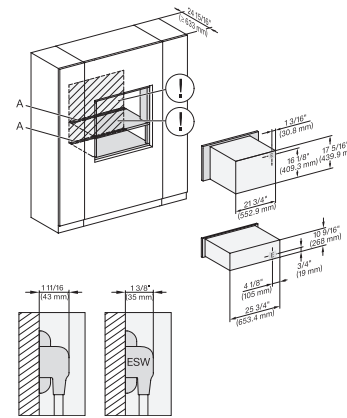
H 6x80 BP, H 6x00 BM + EBA 6808, H 6x80-2BP, H 7xxxBM/BP/BPC, EBA 7848, ESW 7x80, Installation drawing, Flush inset, NA

A – Cut-out (4" x 28" / 100 mm x 720 mm) in the bottom of the cabinet for power cord and ventilation. – Electrical and water supplies are recommended to be placed in adjacent cabinetry., Additional cabinet depth is required when placing the electrical and water supplies behind the appliance., E = Electric connection



H 6x80BP, H 6x70 BM, ESW 6x80, H 6x80-2BP, H 2880BP, H 7xxxBP/BPX/BM/BMX, ESW 7x80 Installation drawing, Flush inset, NA

A – Cut-out (4" x 28" / 100 mm x 720 mm) in the bottom of the cabinet for power cord and ventilation. – Electrical and water supplies are recommended to be placed in adjacent cabinetry., Additional cabinet depth is required when placing the electrical and water supplies behind the appliance., E = Electric connection

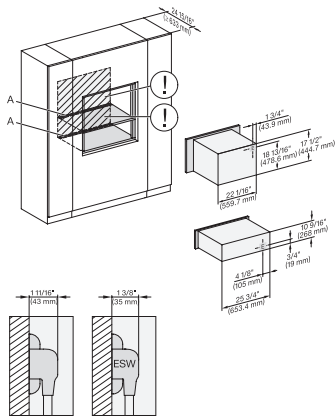


H 6x00 BM + EBA 6808, ESW 6x80, H 7x40BM, EBA 7848, ESW 7x80, Installation drawing, Flush inset, NA

A – Cut-out (4" x 28" / 100 mm x 720 mm) in the bottom of the cabinet for power cord and ventilation. – Electrical and water supplies are recommended to be placed in adjacent cabinetry., Additional cabinet depth is required when placing the electrical and water supplies behind the appliance., E = Electric connection

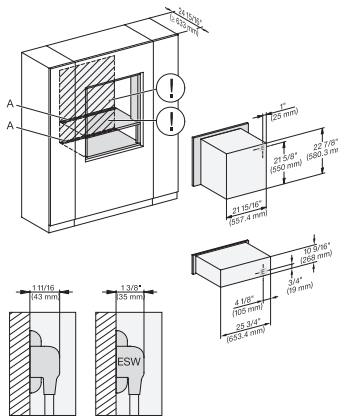
ESW 7680

Handleless Gourmet warming drawer, 30-" width and 10 13/16" height for preheating dishware, keeping food warm, and Slow Roasting.



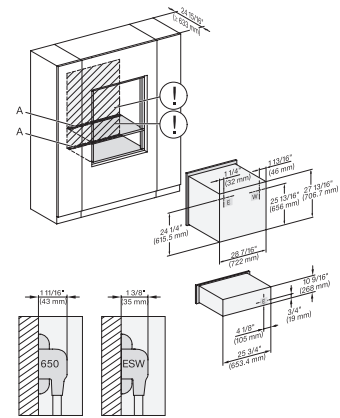
H 6x70 BM, ESW 6x80, H 7x70BM/BMX, ESW 7x80, Installation Combi wide front, Installation drawing, Flush inset, NA

A – Cut-out (4" x 28" / 100 mm x 720 mm) in the bottom of the cabinet for power cord and ventilation. – Electrical and water supplies are recommended to be placed in adjacent cabinetry. Additional cabinet depth is required when placing the electrical and water supplies behind the appliance. E = Electric connection



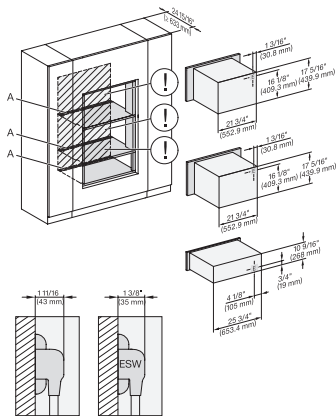
H 6560 B + EBA 6808, H 6x60 BP + EBA 6808, ESW 6x80, H 7xxxBP, EBA 7868, ESW 7x80, Installation drawing, Flush inset, NA

A – Cut-out (4" x 28" / 100 mm x 720 mm) in the bottom of the cabinet for power cord and ventilation. – Electrical and water supplies are recommended to be placed in adjacent cabinetry. Additional cabinet depth is required when placing the electrical and water supplies behind the appliance. E = Electric connection



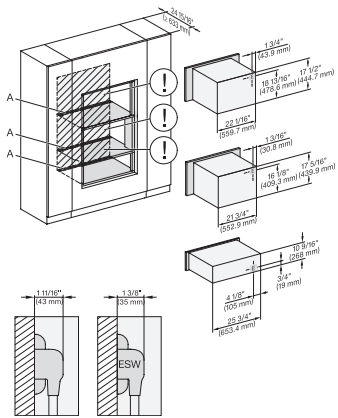
H 6x80 BP, ESW 6x80, H 6x80-2BP, H 2x80BP, H 7x8xBP/BPX, ESW 7x80, Installation drawing, Flush inset, NA

A – Cut-out (4" x 28" / 100 mm x 720 mm) in the bottom of the cabinet for power cord and ventilation. – Electrical and water supplies are recommended to be placed in adjacent cabinetry. Additional cabinet depth is required when placing the electrical and water supplies behind the appliance. E = Electric connection



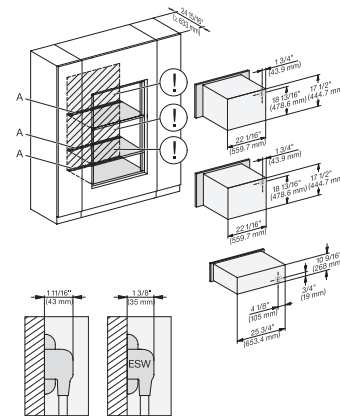
H 6x00 BM + EBA 6808, ESW 6x80, H 7x40BM, EBA 7848, ESW 7x80, Installation drawing, Flush inset, NA

A – Cut-out (4" x 28" / 100 mm x 720 mm) in the bottom of the cabinet for power cord and ventilation. – Electrical and water supplies are recommended to be placed in adjacent cabinetry. Additional cabinet depth is required when placing the electrical and water supplies behind the appliance. E = Electric connection



H 6x70 BM, H 6x00 BM + EBA 6808, ESW 6x80, H 7xxx BM/BMX, EBA 7848, ESW 7x80, Installation drawing, Flush inset, NA

A – Cut-out (4" x 28" / 100 mm x 720 mm) in the bottom of the cabinet for power cord and ventilation. – Electrical and water supplies are recommended to be placed in adjacent cabinetry. Additional cabinet depth is required when placing the electrical and water supplies behind the appliance. E = Electric connection

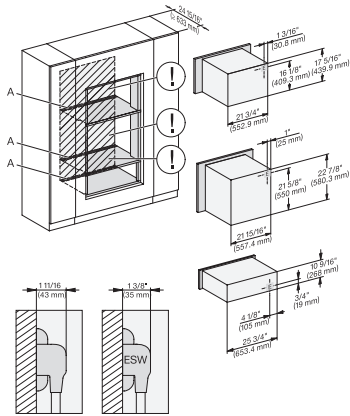


H 6x70 BM, ESW 6x80, H 7x70 BM/BMX, ESW 7x80, Installation drawing, Flush inset, NA

A – Cut-out (4" x 28" / 100 mm x 720 mm) in the bottom of the cabinet for power cord and ventilation. – Electrical and water supplies are recommended to be placed in adjacent cabinetry. Additional cabinet depth is required when placing the electrical and water supplies behind the appliance. E = Electric connection

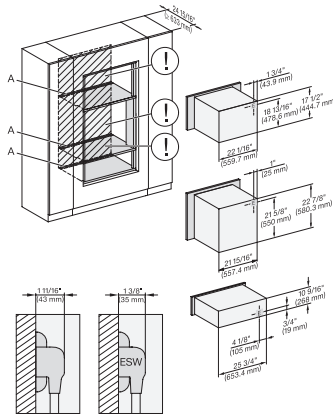
ESW 7680

Handleless Gourmet warming drawer, 30-" width and 10 13/16" height for preheating dishware, keeping food warm, and Slow Roasting.



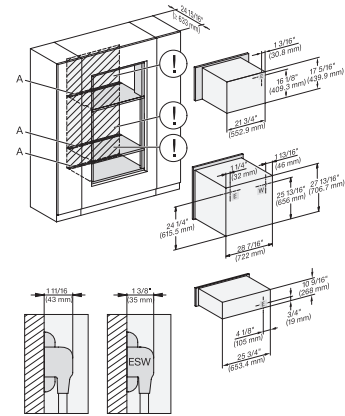
(H 6x60 B/BP, H 6x00 BM) + EBA 6808, ESW 6x80, H 7xxx BP/BM, EBA 7848, ESW 7x80, Installation drawing, Flush inset, NA

A – Cut-out (4" x 28" / 100 mm x 720 mm) in the bottom of the cabinet for power cord and ventilation. – Electrical and water supplies are recommended to be placed in adjacent cabinetry. Additional cabinet depth is required when placing the electrical and water supplies behind the appliance. E = Electric connection



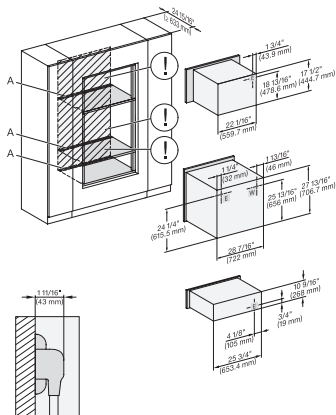
H 6560 B + EBA 6808, H 6x60 BP + EBA 6808, H 6x70 BM, ESW 6x80, H 7xxx BP/BM/BMX, EBA 7868, ESW 7x80, Flush inset, NA

A – Cut-out (4" x 28" / 100 mm x 720 mm) in the bottom of the cabinet for power cord and ventilation. – Electrical and water supplies are recommended to be placed in adjacent cabinetry. Additional cabinet depth is required when placing the electrical and water supplies behind the appliance. E = Electric connection



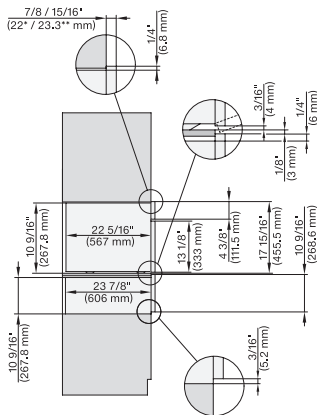
H 6x80 BP, H 6x00 BM + EBA 6808, ESW 6x80, H 6x80-2BP, H 7xxx BM/BP/BPC, EBA 7848, ESW 7x80, Flush inset, NA

A – Cut-out (4" x 28" / 100 mm x 720 mm) in the bottom of the cabinet for power cord and ventilation. – Electrical and water supplies are recommended to be placed in adjacent cabinetry. Additional cabinet depth is required when placing the electrical and water supplies behind the appliance. E = Electric connection



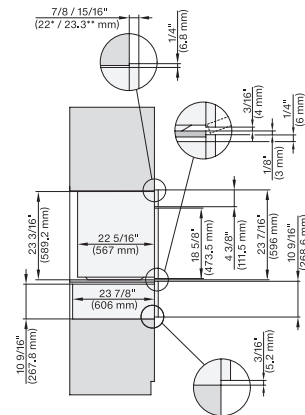
H 6x80 BP, H 6x70 BM, ESW 6x80, H 6x80-2BP, H 2x80BP, H 7xxx BP/BP/BM/BMX, ESW 7x80, Flush inset, NA

A – Cut-out (4" x 28" / 100 mm x 720 mm) in the bottom of the cabinet for power cord and ventilation. – Electrical and water supplies are recommended to be placed in adjacent cabinetry. Additional cabinet depth is required when placing the electrical and water supplies behind the appliance. E = Electric connection



DGC 6x00-1 + EBA 6808, ESW 6x80, DGC7x4x+EBA7848, ESW7x80, Combi, Installation drawing, Proud, NA

7/8" – 22 mm – Glas, 15/16" – 23.3 mm – Edelstahl

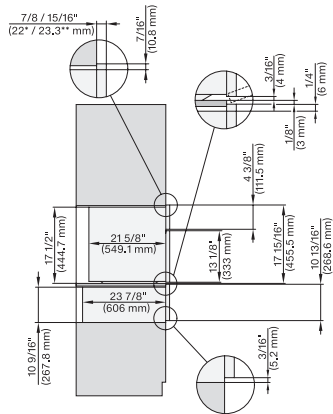


DGC 6x6x (AM), ESW 6x80, DGC786x+EBA7868, ESW7x80, Combi, Installation drawing, Proud, NA

7/8" – 22 mm – Glas, 15/16" – 23.3 mm – Edelstahl

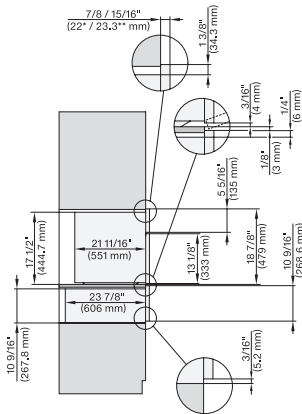
ESW 7680

Handleless Gourmet warming drawer, 30"- width and 10 13/16" height for preheating dishware, keeping food warm, and Slow Roasting.



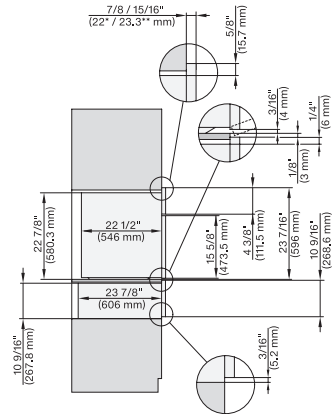
H 6x00 BM + EBA 6808, ESW 6x80, H7x40BM+EBA7848, ESW7x80, Combi, Installation drawing, Proud, NA

7/8" – 22" mm – Glas, 15/16" – 23.3" mm – Edelstahl



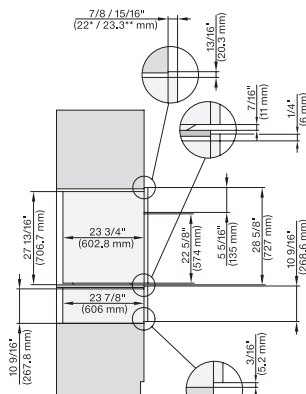
H 6x70 BM, ESW 6x80, H7x70BM(X), ESW7x80, Combi, Installation drawing, Proud, NA

7/8" – 22" mm – Glas, 15/16" – 23.3" mm – Edelstahl



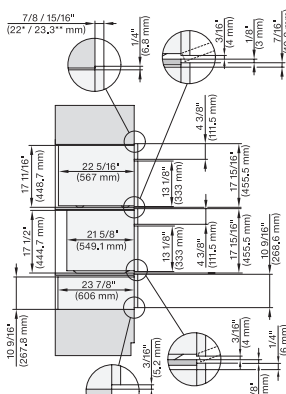
H6560B + EBA6808, H6x60BP + EBA6808, ESW6x80, H7x6xBP+EBA7868, ESW7x10, EVS7010, Combi, Installation drawing, Proud, NA

7/8" – 22" mm – Glas, 15/16" – 23.3" mm – Edelstahl



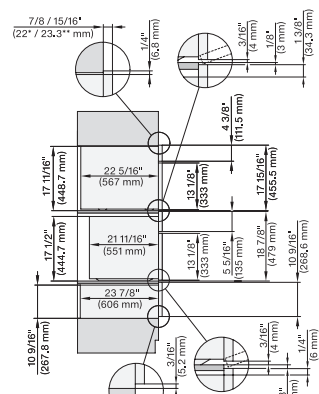
H 6x80 BP, ESW 6x80, H 6x80-2BP, H2x80BP, H7x80BP(X), ESW7x80, Combi, Installation drawing, Proud, NA

7/8" – 22" mm – Glas, 15/16" – 23.3" mm – Edelstahl



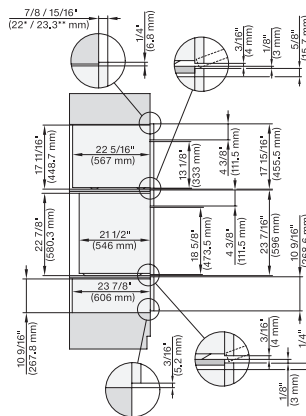
DGC6x00-1+EBA6808, H6x00BM + EBA6808, ESW6x80/7x80, DGC7x4+EBA7848, Combi, Installation drawing, Proud, Flush inset, NA

7/8" – 22" mm – Glas, 15/16" – 23.3" mm – Edelstahl



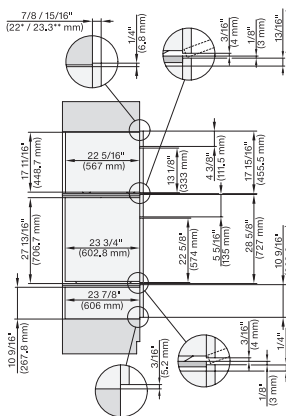
DGC 6x00-1 + EBA 6808, H 6x70 BM, ESW 6x80, DGC7x40+EBA7848, H7x70BM(X), ESW7x80, Combi, Installation drawing, Proud, NA

7/8" – 22" mm – Glas, 15/16" – 23.3" mm – Edelstahl



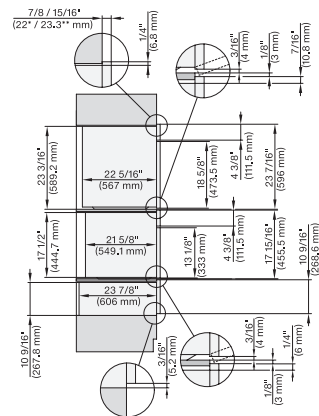
DGC 6x00-1/7x4x + EBA76xxx, H6560B+EBA6808, H6x60/7x6xBP+EBA7868/6808, ESW 6x80, Combi, Installation drawing, Proud, NA

7/8" – 22" mm – Glas, 15/16" – 23.3" mm – Edelstahl



DGC6x00-1+EBA6808, H6x80BP, H6x80-2BP, ESW6x80, DGC7x4+EBA7848, H6x80BP(X), ESW7x80, Combi, Installation drawing, Proud, NA

7/8" – 22" mm – Glas, 15/16" – 23.3" mm – Edelstahl

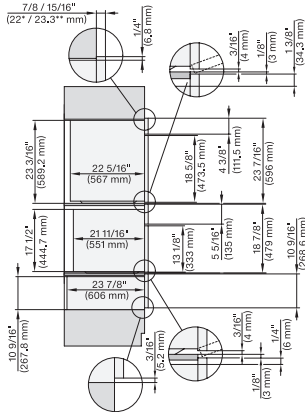


DGC6x6x(AM), H6x00BM+EBA6808, ESW6x80, DGC786x+EBA7868, H7x40BM+EBA7848, ESW 7x80, Combi, Installation drawing, Proud, NA

7/8" – 22" mm – Glas, 15/16" – 23.3" mm – Edelstahl

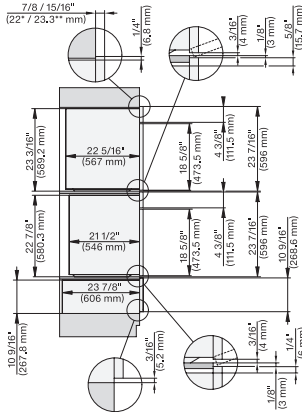
ESW 7680

Handleless Gourmet warming drawer, 30-" width and 10 13/16" height for preheating dishware, keeping food warm, and Slow Roasting.



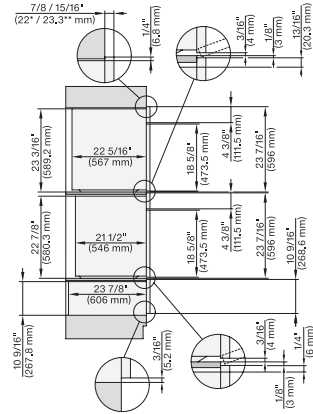
DGC6x6x+EBA6808, H6x70BM, ESW6x80, DGC786x+EBA7868, H7x70BM(X), ESW7x80, Combi, Installation drawing, Proud, NA

7/8" – 22" mm – Glas, 15/16" – 23.3" mm – Edelstahl



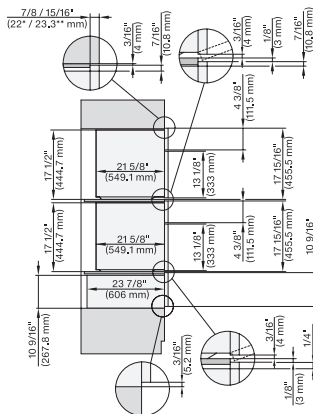
(DGC6x6x, H6560B, H6x60BP)+EBA6808, ESW6x80, (DGC786x, H7x6xBP)+EBA7868, EW7x80 Combi, Installation drawing, Proud, NA

7/8" – 22" mm – Glas, 15/16" – 23.3" mm – Edelstahl



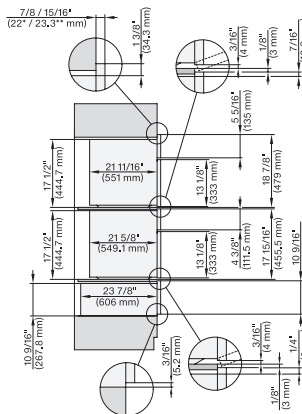
DGC6x6x(AM)+EBA6808, H6x80BP(2BP), ESW6x80, DGC786x+EBA7868, H7x80BP(X), EW7x80, Combi, Installation drawing, Proud, NA

7/8" – 22" mm – Glas, 15/16" – 23.3" mm – Edelstahl



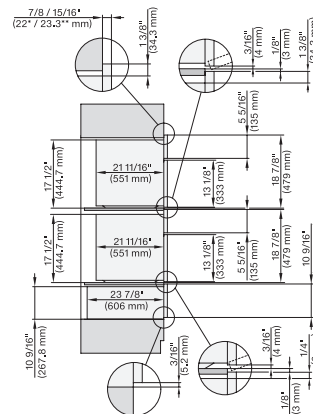
H6x00BM+EBA6808, ESW6x80, H7x40BM+EBA7848, ESW7x80, Combi, Installation drawing, Proud, NA

7/8" – 22" mm – Glas, 15/16" – 23.3" mm – Edelstahl



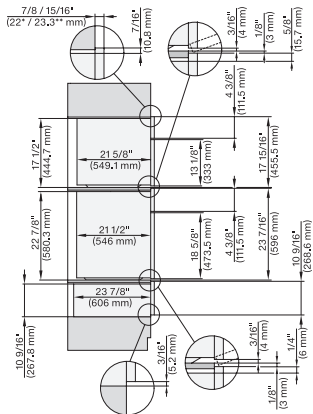
H6x70BM, H6x00BM+EBA6808, ESW6x80, DGC7x7(X), H7x0BM(X)+EBA7848, ESW7x80, Combi, Installation drawing, Proud, NA

7/8" – 22" mm – Glas, 15/16" – 23.3" mm – Edelstahl



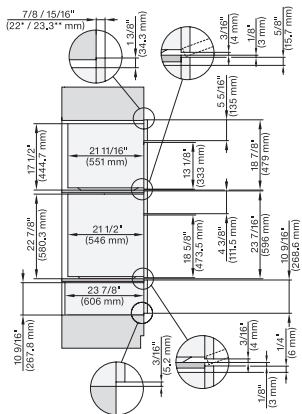
H6x70BM, ESW6x80, DGC7x7(X), H7x70BM, ESW7x80, Combi, Installation drawing, Proud, Flush inset, NA

7/8" – 22" mm – Glas, 15/16" – 23.3" mm – Edelstahl



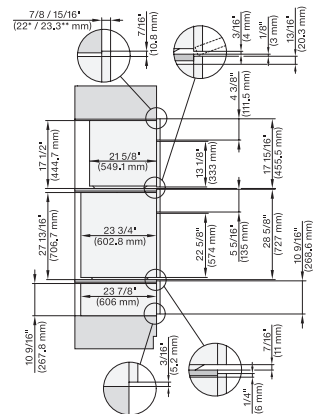
(H6560B, H6x60BP, H6x00BM)+EBA6808, ESWxx80, H7x6x+EBA7868, H7x40BM+EBA7848, Combi, Installation drawing, Proud, Flush inset

7/8" – 22" mm – Glas, 15/16" – 23.3" mm – Edelstahl



(H6560B, H6x60BP)+EBA6808, H6x70BM, ESW6x80, H7x6xBP+EBA7868, H7x70BM(X), ESW7x80, Combi, Installation drawing, Proud, Flush inset, NA

7/8" – 22" mm – Glas, 15/16" – 23.3" mm – Edelstahl

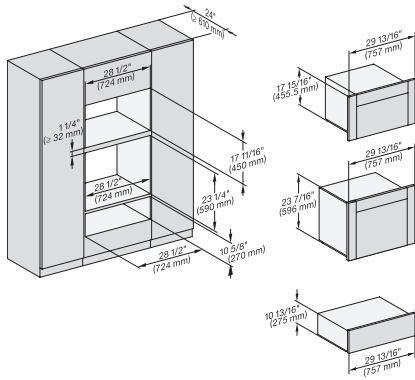


H6x80BP, H6x00BM+EBA6808, H6x80-2BP, ESW6x80, H7x0BP(X)+EBA7868, ESW7x80, Combi, Installation drawing, Proud, Flush inset

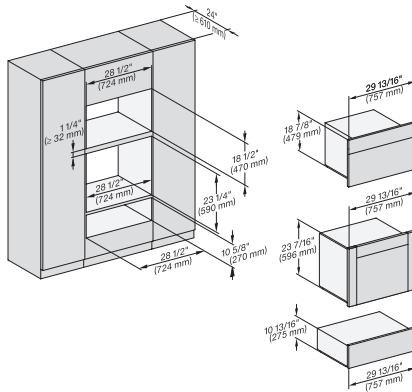
7/8" – 22" mm – Glas, 15/16" – 23.3" mm – Edelstahl

ESW 7680

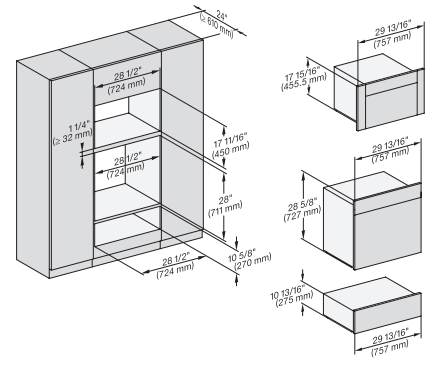
Handleless Gourmet warming drawer, 30"- width and 10 13/16" height for preheating dishware, keeping food warm, and Slow Roasting.



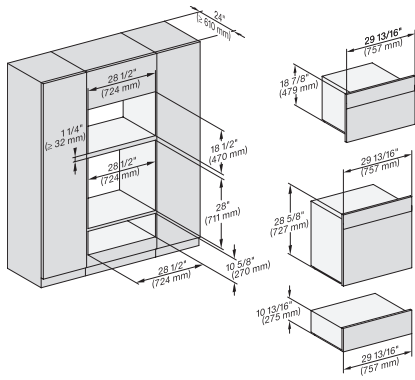
(H6560B, H6x60BP, H6x00BM, DGC686xAM, DGC6x00-1)+EBA 6808, DGC 676x, ESW 6x80, NA7000 Fitting Combi, Installation, Proud



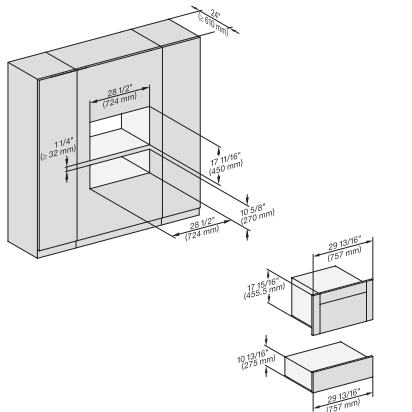
(H6560B, H6x60BP, DGC686xAM)+EBA6808; H6x70BM, ESW6x80, DGC676x, NA7000 Fitting Combi, Installation, Proud, NA



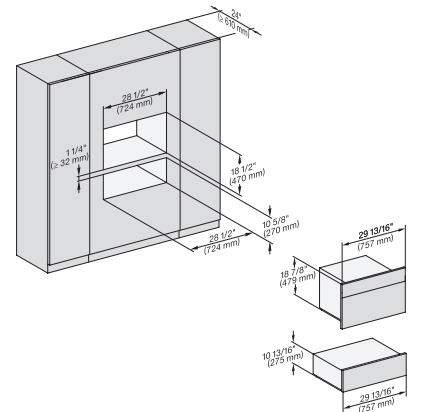
H6x80BP, H6x00BM+EBA6808, ESW6x80, DGC6x00-1+EBA6808, H6x80-2BP, NA7000 Fitting Combi, Installation drawing, Proud, NA



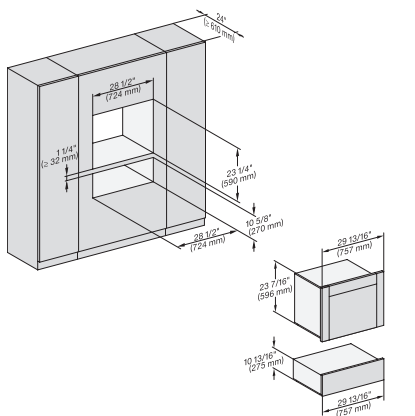
H 6x80 BP, H 6x70 BM, ESW 6x80, H 6x80-2BP, NA7000 Fitting Combi, Installation drawing, Proud, NA
<https://miele-mms.de.miele.net/mms/admin/forward.php#>



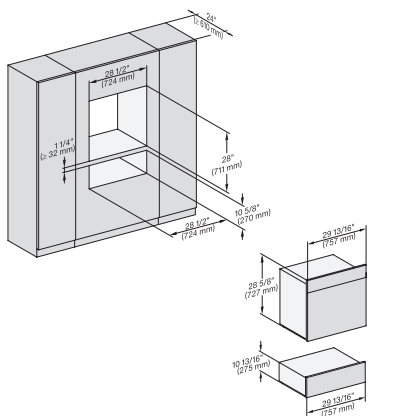
(H6x00BM,DGC 6x00-1)+EBA6808, ESW6x80, DGC7xxx, H7x40BM)+EBA7848, ESW7x8, Fitting Combi wide front, Installation, Proud,



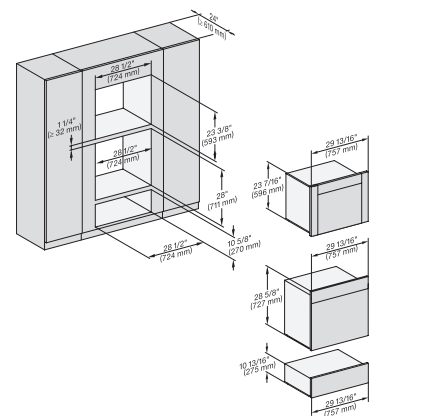
H6x70BM, ESW6x80, DGC7x7(X), H7x70BM(X), ESW7x80, Fitting Combi wide front, Installation drawing, Proud, NA



(H6560B, H6x60BP, DGC686xAM) + EBA6808; ESW6x80, DGC676x, NA7000 Fitting Combi wide front, Installation drawing, Proud



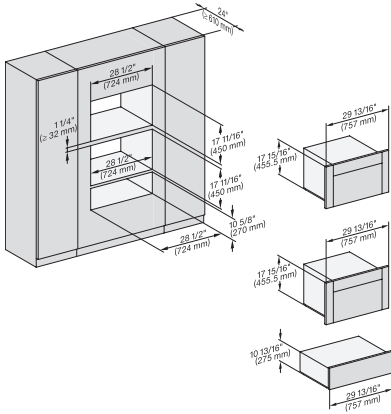
H 6x80 BP, ESW 6x80, H 6x80-2BP, NA7000 Fitting Combi wide front, Installation drawing, Proud, NA



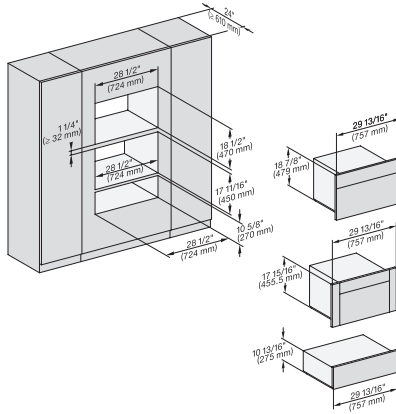
DGC 6x6x (AM) + EBA 6808, H 6x80 BP, ESW 6x80, H 6x80-2BP, NA7000 Fitting Combi wide front, Installation drawing, Proud

ESW 7680

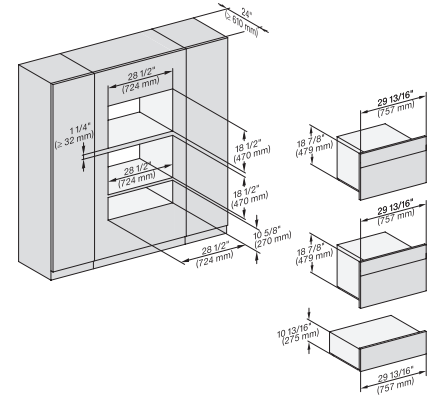
Handleless Gourmet warming drawer, 30"- width and 10 13/16" height for preheating dishware, keeping food warm, and Slow Roasting.



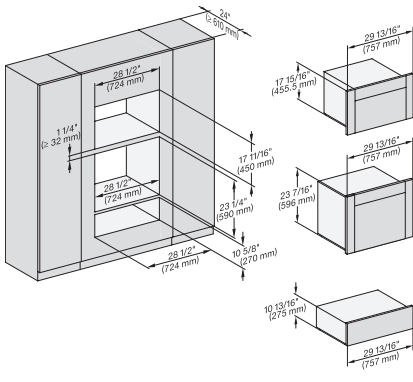
H 6x00 BM + EBA 6808, ESW 6x80, DGC 6x00-1 + EBA 6808, NA7000, Fitting Combi wide front, Installation drawing, Proud, NA



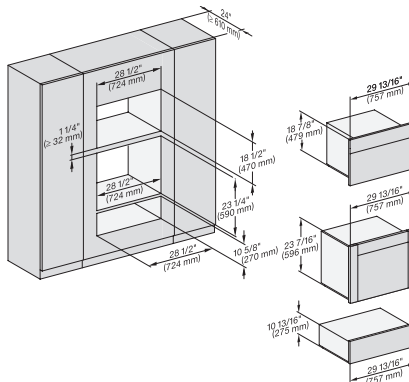
H6x70BM, H6x00BM + EBA6808, ESW6x80, DGC6x00-1 + EBA6808, NA7000 Fitting Combi wide front, Installation drawing, Proud



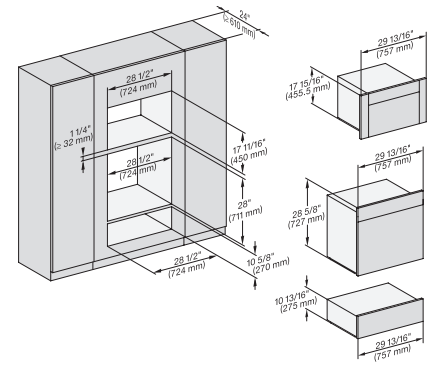
H 6x70 BM, ESW 6x80, H7x70BM(X), ESW7x80, Fitting Combi wide front, Installation drawing, Proud, NA



(H6560B, H6x60BP, H6x00BM, DGC686xAM, DGC6x00-1) + EBA; DGC676x, ESW6x80, NA7000, Fitting Combi w. front, drawing, Proud



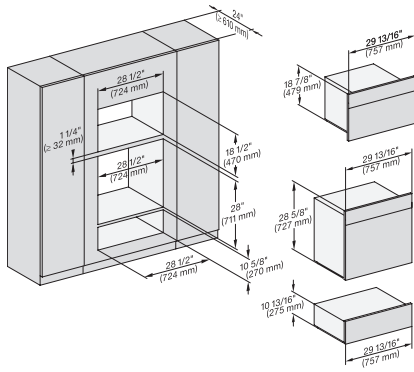
(H6560 B, H6x60 BP, DGC686x AM) + EBA6808, H6x70 BM, DGC676x, ESW6x80, NA7000 Fitting Combi w. front, drawing, Proud, NA



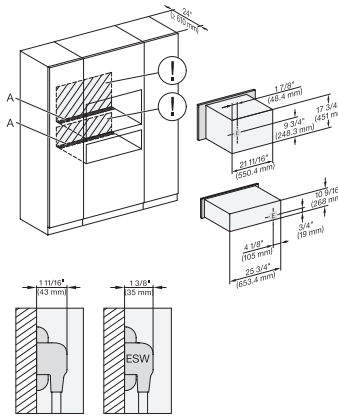
H6x80BP, H6x00BM + EBA6808, ESW6x80, DGC6x00 + EBA 6808, H 6x80-2BP, NA7000 Fitting Combi w. front, drawing, Proud, NA

ESW 7680

Handleless Gourmet warming drawer, 30"- width and 10 13/16" height for preheating dishware, keeping food warm, and Slow Roasting.

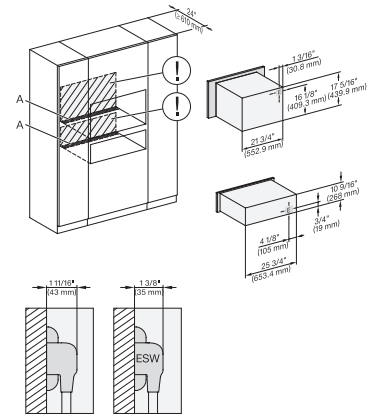


H 6x80 BP, H 6x70 BM, ESW 6x80, H 6x80-2BP, NA7000, Fitting Combi wide front, Installation drawing, Proud, NA



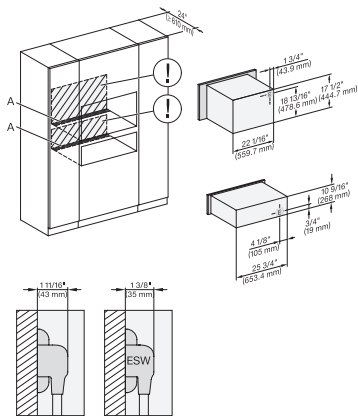
DGC 6x00-1 + EBA 6808, ESW 6x80, Installation Combi, Installation drawing, Proud, NA

A – Cut-out (4" x 28" / 100 mm x 720 mm) in the bottom of the cabinet for power cord and ventilation, – Electrical and water supplies are recommended to be placed in adjacent cabinetry., Additional cabinet depth is required when placing the electrical and water supplies behind the appliance., E = Electric connection



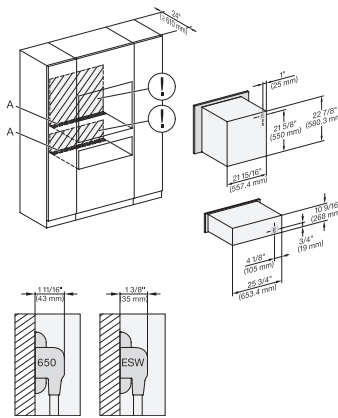
H 6x00 BM + EBA 6808, ESW 6x80, H7x40BM+EBA7848, ESW7x80, Installation Combi, Installation drawing, Proud, NA

A – Cut-out (4" x 28" / 100 mm x 720 mm) in the bottom of the cabinet for power cord and ventilation, – Electrical and water supplies are recommended to be placed in adjacent cabinetry., Additional cabinet depth is required when placing the electrical and water supplies behind the appliance., E = Electric connection



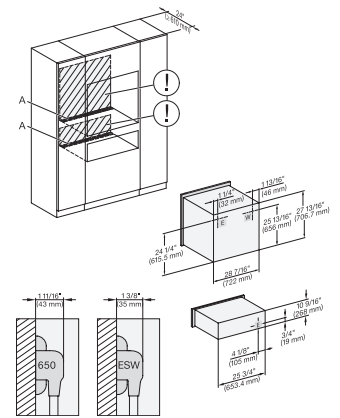
H 6x70 BM, ESW 6x80, H7x70BM(X), ESW7x80, Installation Combi, Installation drawing, Proud, NA

A – Cut-out (4" x 28" / 100 mm x 720 mm) in the bottom of the cabinet for power cord and ventilation, – Electrical and water supplies are recommended to be placed in adjacent cabinetry., Additional cabinet depth is required when placing the electrical and water supplies behind the appliance., E = Electric connection



(H6560B, H6x60BP)+ EBA6808, ESW6x80, H7x6xBP+EBA7868, ESW7x80, Installation Combi, Installation drawing, Proud, NA

A – Cut-out (4" x 28" / 100 mm x 720 mm) in the bottom of the cabinet for power cord and ventilation, – Electrical and water supplies are recommended to be placed in adjacent cabinetry., Additional cabinet depth is required when placing the electrical and water supplies behind the appliance., E = Electric connection

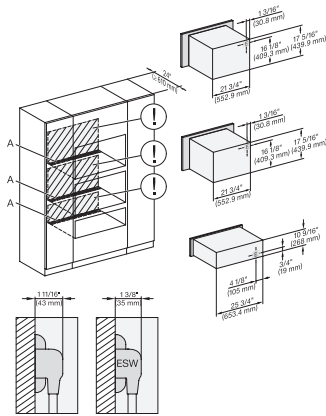


H 6x80 BP, ESW 6x80, H 6x80-2BP, H2x80BP, H7x80BP, ESW7x80, Installation Combi, Installation drawing, Proud, NA

A – Cut-out (4" x 28" / 100 mm x 720 mm) in the bottom of the cabinet for power cord and ventilation, – Electrical and water supplies are recommended to be placed in adjacent cabinetry., Additional cabinet depth is required when placing the electrical and water supplies behind the appliance., E = Electric connection

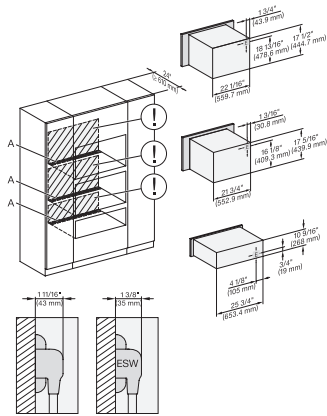
ESW 7680

Handleless Gourmet warming drawer, 30-" width and 10 13/16" height for preheating dishware, keeping food warm, and Slow Roasting.



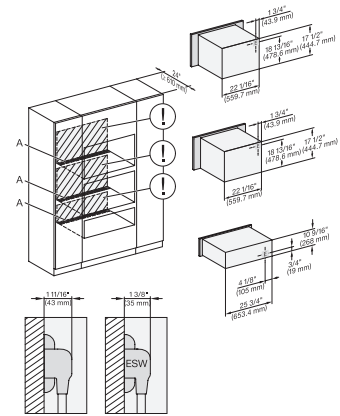
H 6x00 BM + EBA 6808, ESW 6x80, H7x40BM+EBA7848, ESW7x80, Installation Combi, Installation drawing, Proud, NA

A – Cut-out (4" x 28" / 100 mm x 720 mm) in the bottom of the cabinet for power cord and ventilation. – Electrical and water supplies are recommended to be placed in adjacent cabinetry., Additional cabinet depth is required when placing the electrical and water supplies behind the appliance., E = Electric connection



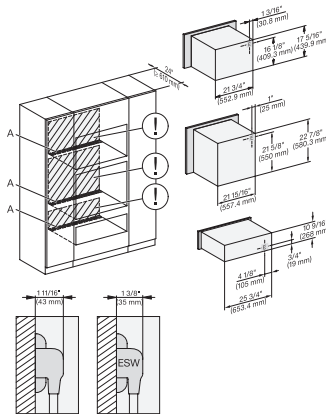
H 6x70 BM, H 6x00 BM + EBA 6808, ESW 6x80, H7x0BM(+EBA7848) ESW7x80 Installation Combi, Installation drawing, Proud, NA

A – Cut-out (4" x 28" / 100 mm x 720 mm) in the bottom of the cabinet for power cord and ventilation. – Electrical and water supplies are recommended to be placed in adjacent cabinetry., Additional cabinet depth is required when placing the electrical and water supplies behind the appliance., E = Electric connection



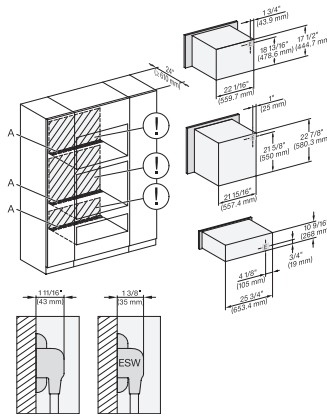
H 6x70 BM, ESW 6x80, H7x70BM, ESW7x80, Installation Combi, Installation drawing, Proud, NA

A – Cut-out (4" x 28" / 100 mm x 720 mm) in the bottom of the cabinet for power cord and ventilation. – Electrical and water supplies are recommended to be placed in adjacent cabinetry., Additional cabinet depth is required when placing the electrical and water supplies behind the appliance., E = Electric connection



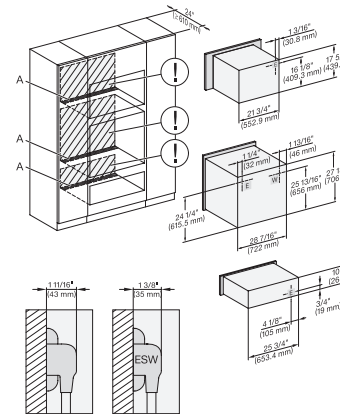
H6560B + EBA6808, H6x60BP + EBA6808, H6x00BM + EBA6808, ESW6x80, NA7000, Installation Combi, Installation drawing, Proud

A – Cut-out (4" x 28" / 100 mm x 720 mm) in the bottom of the cabinet for power cord and ventilation. – Electrical and water supplies are recommended to be placed in adjacent cabinetry., Additional cabinet depth is required when placing the electrical and water supplies behind the appliance., E = Electric connection



H 6560 B + EBA 6808, H 6x60 BP + EBA 6808, H6x70BM, ESW6x80, NA7000, Installation Combi, Installation drawing, Proud, NA

A – Cut-out (4" x 28" / 100 mm x 720 mm) in the bottom of the cabinet for power cord and ventilation. – Electrical and water supplies are recommended to be placed in adjacent cabinetry., Additional cabinet depth is required when placing the electrical and water supplies behind the appliance., E = Electric connection

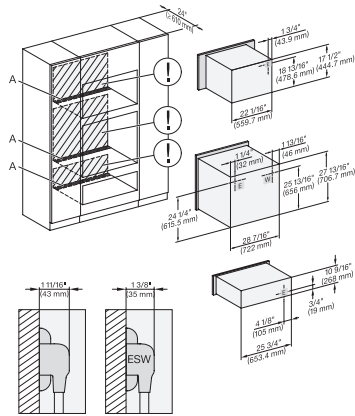


H 6x80 BP, H 6x00 BM + EBA 6808, ESW 6x80, H 6x80-2BP, NA7000 Installation Combi, Installation drawing, Proud, NA

A – Cut-out (4" x 28" / 100 mm x 720 mm) in the bottom of the cabinet for power cord and ventilation. – Electrical and water supplies are recommended to be placed in adjacent cabinetry., Additional cabinet depth is required when placing the electrical and water supplies behind the appliance., E = Electric connection

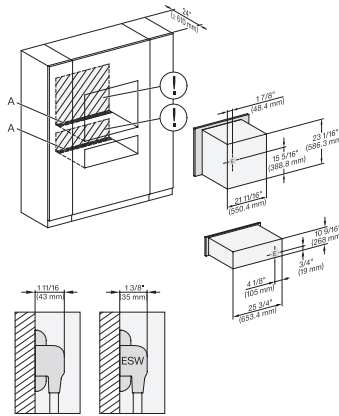
ESW 7680

Handleless Gourmet warming drawer, 30-" width and 10 13/16" height for preheating dishware, keeping food warm, and Slow Roasting.



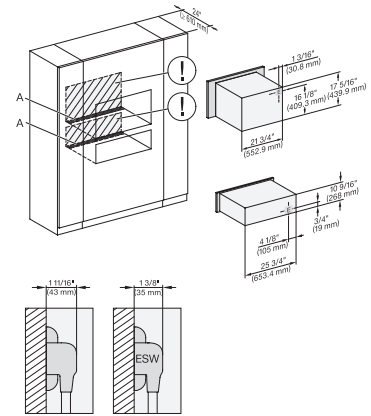
H 6x80 BP, H 6x70 BM, ESW 6x80, H 6x80-2BP, NA7000, Installation Combi, Installation drawing, Proud, NA

A – Cut-out (4" x 28" / 100 mm x 720 mm) in the bottom of the cabinet for power cord and ventilation. – Electrical and water supplies are recommended to be placed in adjacent cabinetry. Additional cabinet depth is required when placing the electrical and water supplies behind the appliance. E = Electric connection



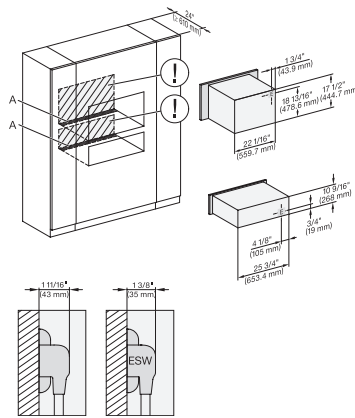
DGC 6x6 (AM) + EBA 6808, ESW 6x80, Installation Combi wide front, Installation drawing, Proud, NA

A – Cut-out (4" x 28" / 100 mm x 720 mm) in the bottom of the cabinet for power cord and ventilation. – Electrical and water supplies are recommended to be placed in adjacent cabinetry. Additional cabinet depth is required when placing the electrical and water supplies behind the appliance. E = Electric connection



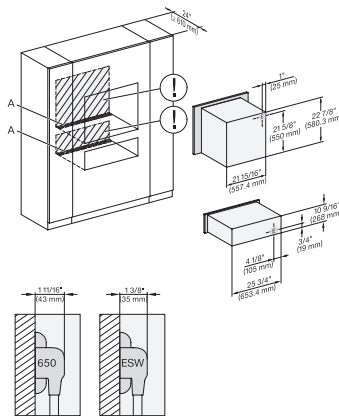
H6x00BM + EBA6808, ESW6x80, H7x40BM+EBA7848, ESW7x80, Installation Combi wide front, Installation drawing, Proud, NA

A – Cut-out (4" x 28" / 100 mm x 720 mm) in the bottom of the cabinet for power cord and ventilation. – Electrical and water supplies are recommended to be placed in adjacent cabinetry. Additional cabinet depth is required when placing the electrical and water supplies behind the appliance. E = Electric connection



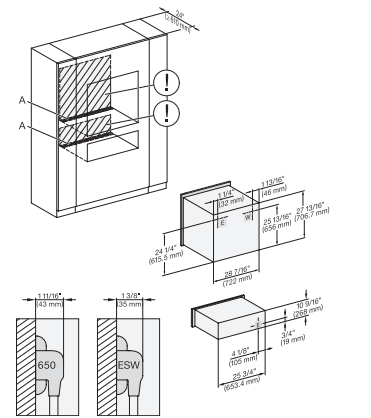
H 6x70 BM, ESW 6x80, H7x70BM, ESW7x80, Installation Combi wide front, Installation drawing, Proud, NA

A – Cut-out (4" x 28" / 100 mm x 720 mm) in the bottom of the cabinet for power cord and ventilation. – Electrical and water supplies are recommended to be placed in adjacent cabinetry. Additional cabinet depth is required when placing the electrical and water supplies behind the appliance. E = Electric connection



H6560B + EBA6808, H 6x60 BP + EBA 6808, ESW 6x80, NA7000, Installation Combi wide front, Installation drawing, Proud, NA

A – Cut-out (4" x 28" / 100 mm x 720 mm) in the bottom of the cabinet for power cord and ventilation. – Electrical and water supplies are recommended to be placed in adjacent cabinetry. Additional cabinet depth is required when placing the electrical and water supplies behind the appliance. E = Electric connection

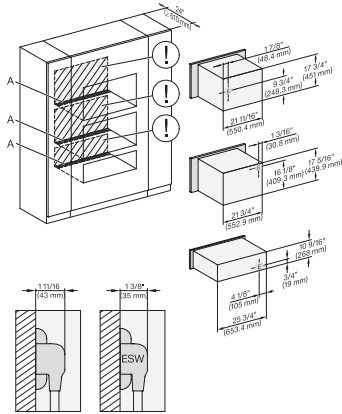


H 6x80 BP, ESW 6x80, H 6x80-2BP, NA7000, Installation Combi wide front, Installation drawing, Proud, NA

A – Cut-out (4" x 28" / 100 mm x 720 mm) in the bottom of the cabinet for power cord and ventilation. – Electrical and water supplies are recommended to be placed in adjacent cabinetry. Additional cabinet depth is required when placing the electrical and water supplies behind the appliance. E = Electric connection

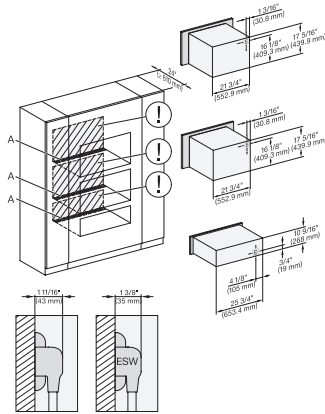
ESW 7680

Handleless Gourmet warming drawer, 30-" width and 10 13/16" height for preheating dishware, keeping food warm, and Slow Roasting.



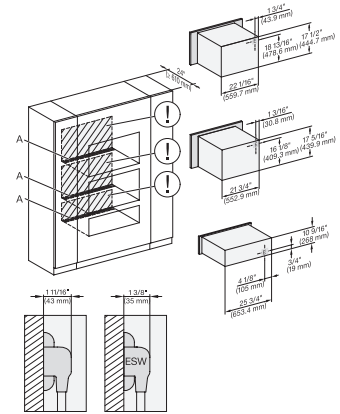
DGC 6x00-1 + EBA 6808, H 6x00 BM + EBA 6808, ESW 6x80, Installation Combi wide front, Installation drawing, Proud, NA

A – Cut-out (4" x 28" / 100 mm x 720 mm) in the bottom of the cabinet for power cord and ventilation. – Electrical and water supplies are recommended to be placed in adjacent cabinetry., Additional cabinet depth is required when placing the electrical and water supplies behind the appliance., E = Electric connection



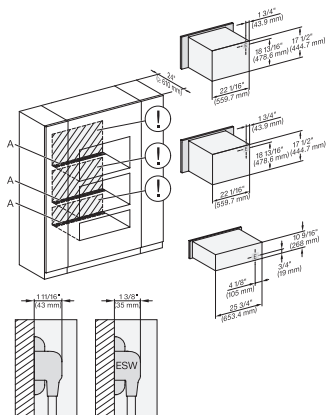
H 6x00 BM + EBA 6808, ESW 6x80, H7x40+EBA7848, ESW7x80, Installation Combi wide front, Installation drawing, Proud, NA

A – Cut-out (4" x 28" / 100 mm x 720 mm) in the bottom of the cabinet for power cord and ventilation. – Electrical and water supplies are recommended to be placed in adjacent cabinetry., Additional cabinet depth is required when placing the electrical and water supplies behind the appliance., E = Electric connection



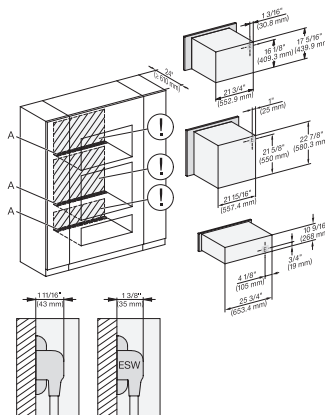
H 6x70 BM, H 6x00 BM + EBA 6808, ESW 6x80, NA7000, Installation Combi wide front, Installation drawing, Proud, NA

A – Cut-out (4" x 28" / 100 mm x 720 mm) in the bottom of the cabinet for power cord and ventilation. – Electrical and water supplies are recommended to be placed in adjacent cabinetry., Additional cabinet depth is required when placing the electrical and water supplies behind the appliance., E = Electric connection



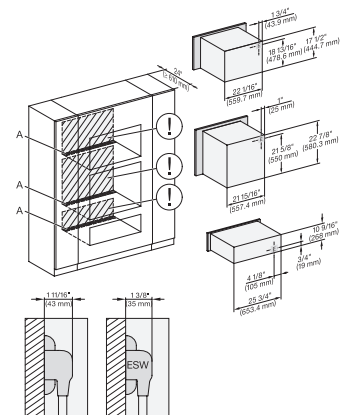
H 6x70 BM, ESW 6x80, H7x70BM, ESW7x80, Installation Combi wide front, Installation drawing, Proud, NA

A – Cut-out (4" x 28" / 100 mm x 720 mm) in the bottom of the cabinet for power cord and ventilation. – Electrical and water supplies are recommended to be placed in adjacent cabinetry., Additional cabinet depth is required when placing the electrical and water supplies behind the appliance., E = Electric connection



(H 6560 B, H 6x60 BP, H6x00BM) + EBA6808, ESW6x80, NA7000 Installation Combi wide front, Installation drawing, Proud, NA

A – Cut-out (4" x 28" / 100 mm x 720 mm) in the bottom of the cabinet for power cord and ventilation. – Electrical and water supplies are recommended to be placed in adjacent cabinetry., Additional cabinet depth is required when placing the electrical and water supplies behind the appliance., E = Electric connection

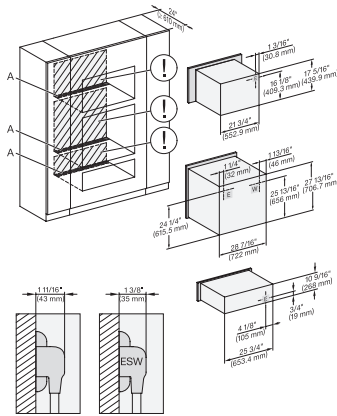


(H6560B, H6x60BP) + EBA6808, H6x70BM, ESW6x80, NA7000, Installation Combi wide front, Installation drawing, Proud, NA

A – Cut-out (4" x 28" / 100 mm x 720 mm) in the bottom of the cabinet for power cord and ventilation. – Electrical and water supplies are recommended to be placed in adjacent cabinetry., Additional cabinet depth is required when placing the electrical and water supplies behind the appliance., E = Electric connection

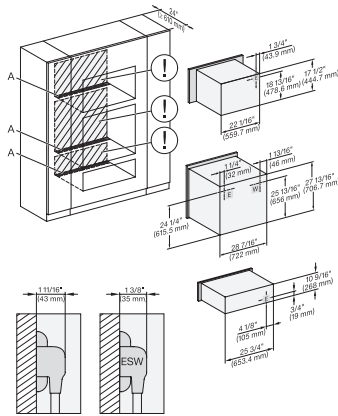
ESW 7680

Handleless Gourmet warming drawer, 30-" width and 10 13/16" height for preheating dishware, keeping food warm, and Slow Roasting.



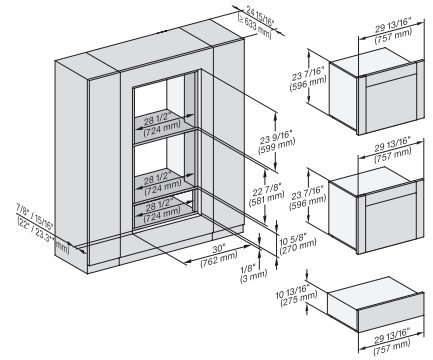
H6x80BP, H6x00BM + EBA6808, ESW6x80, H 6x80-2BP, NA7000, Installation Combi wide front, Installation drawing, Proud, NA

A – Cut-out (4" x 28" / 100 mm x 720 mm) in the bottom of the cabinet for power cord and ventilation. – Electrical and water supplies are recommended to be placed in adjacent cabinetry., Additional cabinet depth is required when placing the electrical and water supplies behind the appliance., E = Electric connection



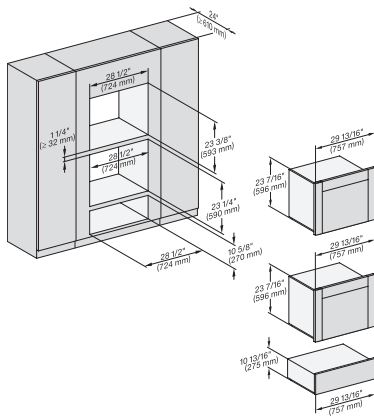
H 6x80 BP, H 6x70 BM, ESW 6x80, H 6x80-2BP, NA7000, Installation Combi wide front, Installation drawing, Proud, NA

A – Cut-out (4" x 28" / 100 mm x 720 mm) in the bottom of the cabinet for power cord and ventilation. – Electrical and water supplies are recommended to be placed in adjacent cabinetry., Additional cabinet depth is required when placing the electrical and water supplies behind the appliance., E = Electric connection



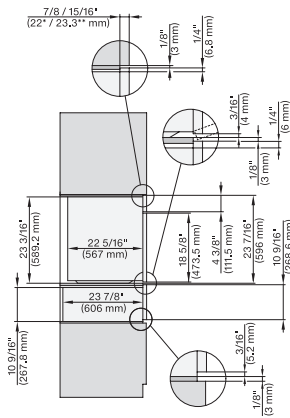
H 6560 B, H 6xx0 BP, DGC 6x0x, ESW 6x80, EBA 6808, DGC786x, EBA 7868, H 7xxxBPm ESW 7x80 Einbau, Skizze, Flush inset, NA

7/8" – 22* mm – Glas, 15/16" – 23.3** mm – Edelstahl



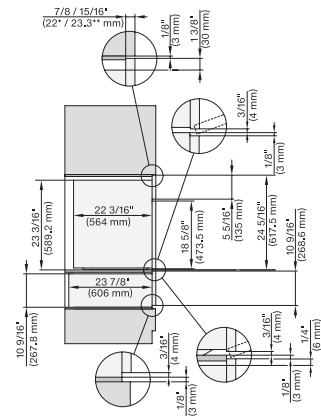
DGC6x6x(AM) + EBA6808, ESW6x80, H6x60 B(P), NA7000, Installation Kombi breite Front, Skizze, Proud, NA

A – Cut-out (4" x 28" / 100 mm x 720 mm) in the bottom of the cabinet for power cord and ventilation. – Electrical and water supplies are recommended to be placed in adjacent cabinetry., Additional cabinet depth is required when placing the electrical and water supplies behind the appliance., E = Electric connection



DGC786x+EBA7868, ESW7x80, side view, 30 Zoll, Flush inset, combi, XXL

7/8" – 22* mm – Glas, 15/16" – 23.3** mm – Stainless steel

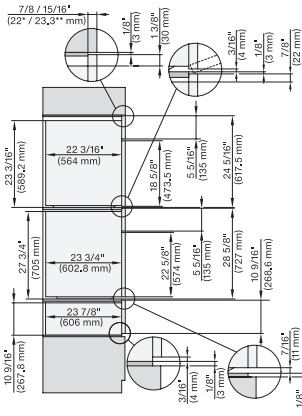


DGC7x8x, ESW7x80, side view, 30 Zoll, Flush inset, combi, XXL

7/8" – 22* mm – Glas, 15/16" – 23.3** mm – Stainless steel

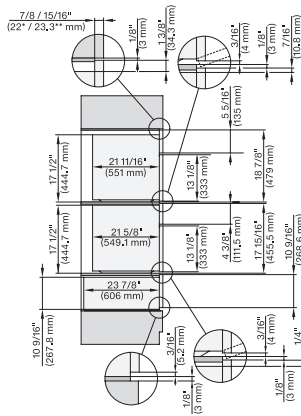
ESW 7680

Handleless Gourmet warming drawer, 30-" width and 10 13/16" height for preheating dishware, keeping food warm, and Slow Roasting.



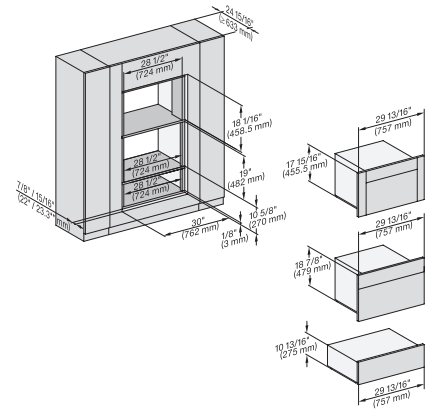
DGC7x8x(X), H2x80BP, H7x8x8BP, ESW7x80, side view, 30 Zoll, Flush inset, combi, XXL, 650, ESW30

7/8" – 22" mm – Glass, 15/16" – 23.3** mm – Stainless steel



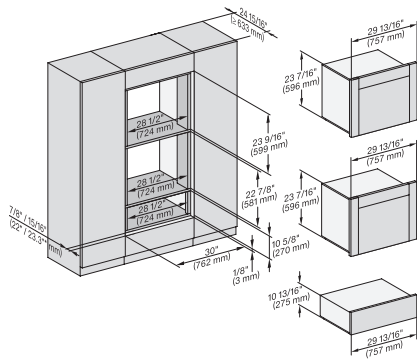
DGC7x7x(X), H7x70BM(X), H7x40BM+EBA7848, ESW7x80, side view, 30 Zoll, Flush inset, combi, 450S

7/8" – 22" mm – Glass, 15/16" – 23.3** mm – Stainless steel



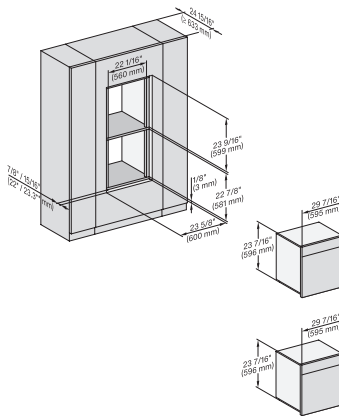
DGC7x4x+EBA7848, H7x70BMX, ESW7x80, Einbau, 30 Zoll, Flush inset, combi, XL

7/8" – 22" mm – Glass, 15/16" – 23.3** mm – Stainless steel



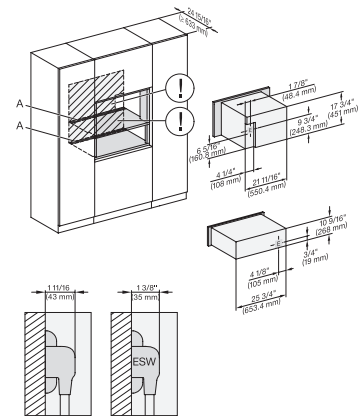
DGC786x+EBA7868, H7x6x8BP+EBA7848, ESW7x80, Einbau, 30 Zoll, Flush inset, combi, XXL, 650S

7/8" – 22" mm – Glass, 15/16" – 23.3** mm – Stainless steel



DGC786x, H7x6x8BP, Einbau, 30 Zoll, Flush inset, combi, wide front, XXL, 650S

7/8" – 22" mm – Glass, 15/16" – 23.3** mm – Stainless steel

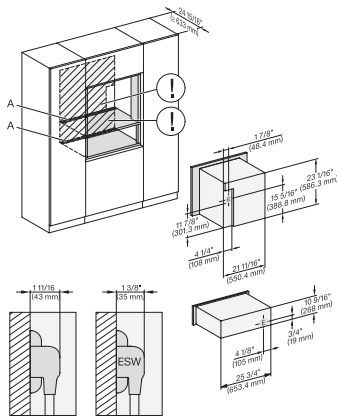


DGC7x4x+EBA7848, ESW7x80, Installation, 30 Zoll, Flush inset, combi, XL

A – Cut-out (4" x 28" / 100 mm x 720 mm) in the bottom of the cabinet for power cord and ventilation, – Electrical and water supplies are recommended to be placed in adjacent cabinetry., Additional cabinet depth is required when placing the electrical and water supplies behind the appliance., E = Electric connection

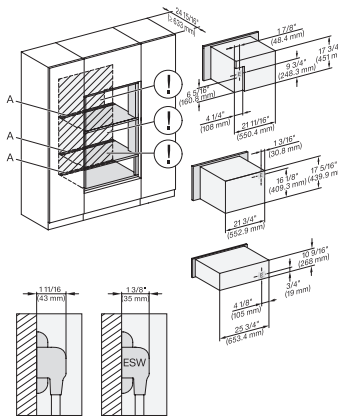
ESW 7680

Handleless Gourmet warming drawer, 30"- width and 10 13/16" height for preheating dishware, keeping food warm, and Slow Roasting.



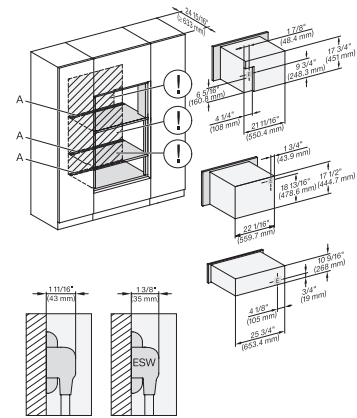
DGC786x+EBA7868, ESW7x80, Installation, 30 Zoll, Flush inset, combi, XXL

A – Cut-out (4" x 28" / 100 mm x 720 mm) in the bottom of the cabinet for power cord and ventilation. – Electrical and water supplies are recommended to be placed in adjacent cabinetry. Additional cabinet depth is required when placing the electrical and water supplies behind the appliance. E = Electric connection



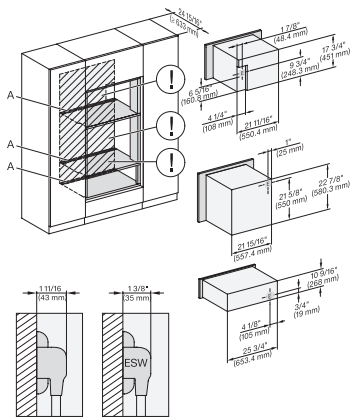
DGC7x4x+EBA7848, H7x40BM+EBA7848, ESW7x80, Installation, 30 Zoll, Flush inset, combi, XL, 450S

A – Cut-out (4" x 28" / 100 mm x 720 mm) in the bottom of the cabinet for power cord and ventilation. – Electrical and water supplies are recommended to be placed in adjacent cabinetry. Additional cabinet depth is required when placing the electrical and water supplies behind the appliance. E = Electric connection



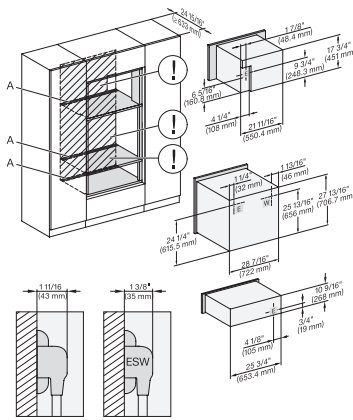
DGC7x4x+EBA7848, H7x70BM(X), ESW7x80, Installation, 30Zoll, Flush inset, combi, XL

A – Cut-out (4" x 28" / 100 mm x 720 mm) in the bottom of the cabinet for power cord and ventilation. – Electrical and water supplies are recommended to be placed in adjacent cabinetry. Additional cabinet depth is required when placing the electrical and water supplies behind the appliance. E = Electric connection



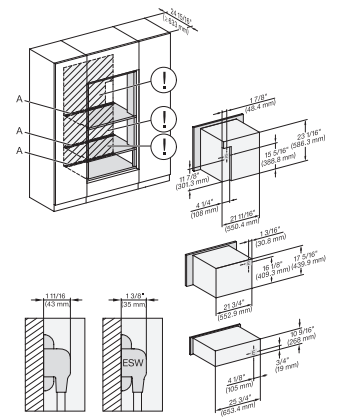
DGC7x4x+EBA7848, H7x6xBP+EBA7848, ESW7x80, Installation, 30 Zoll, Flush inset, combi, XL

A – Cut-out (4" x 28" / 100 mm x 720 mm) in the bottom of the cabinet for power cord and ventilation. – Electrical and water supplies are recommended to be placed in adjacent cabinetry. Additional cabinet depth is required when placing the electrical and water supplies behind the appliance. E = Electric connection



DGC7x4x+EBA7848, H280BP, H7x8xBP(X), ESW7x80, Installation, 30 Zoll, Flush inset, combi, XL, 650

A – Cut-out (4" x 28" / 100 mm x 720 mm) in the bottom of the cabinet for power cord and ventilation. – Electrical and water supplies are recommended to be placed in adjacent cabinetry. Additional cabinet depth is required when placing the electrical and water supplies behind the appliance. E = Electric connection

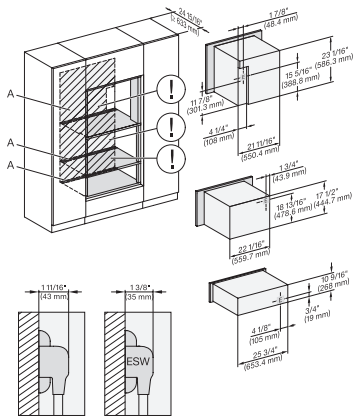


DGC786x+EBA7868, H7x40BM+EBA7848, ESW7x80, Installation, 30 Zoll, Flush inset, combi, XXL, 450S

A – Cut-out (4" x 28" / 100 mm x 720 mm) in the bottom of the cabinet for power cord and ventilation. – Electrical and water supplies are recommended to be placed in adjacent cabinetry. Additional cabinet depth is required when placing the electrical and water supplies behind the appliance. E = Electric connection

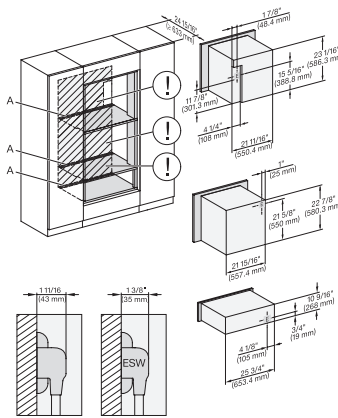
ESW 7680

Handleless Gourmet warming drawer, 30-" width and 10 13/16" height for preheating dishware, keeping food warm, and Slow Roasting.



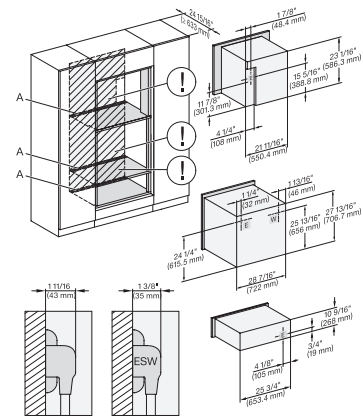
DGC786x+EBA7868, H7x70BM(X), ESW7x80, Installation, 30 Zoll, Flush inset, combi, XXL

A – Cut-out (4" x 28" / 100 mm x 720 mm) in the bottom of the cabinet for power cord and ventilation. – Electrical and water supplies are recommended to be placed in adjacent cabinetry. Additional cabinet depth is required when placing the electrical and water supplies behind the appliance. E = Electric connection



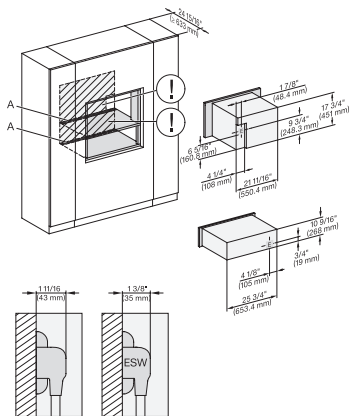
DGC786x+EBA7868, H7x6xBP+EBA7848, ESW7x80, Installation, 30 Zoll, Flush inset, combi, XXL, 650S

A – Cut-out (4" x 28" / 100 mm x 720 mm) in the bottom of the cabinet for power cord and ventilation. – Electrical and water supplies are recommended to be placed in adjacent cabinetry. Additional cabinet depth is required when placing the electrical and water supplies behind the appliance. E = Electric connection



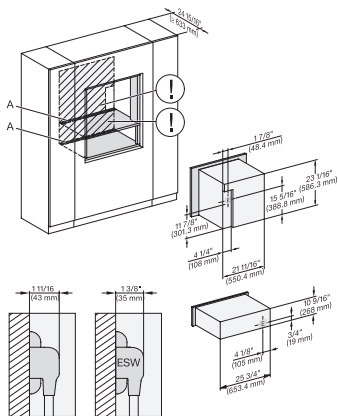
DGC786x+EBA7868, H7x80BP(X), ESW7x80, Installation, 30 Zoll, Flush inset, combi, XXL, 650

A – Cut-out (4" x 28" / 100 mm x 720 mm) in the bottom of the cabinet for power cord and ventilation. – Electrical and water supplies are recommended to be placed in adjacent cabinetry. Additional cabinet depth is required when placing the electrical and water supplies behind the appliance. E = Electric connection



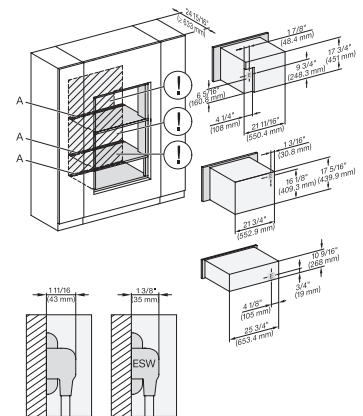
DGC7x4x+EBA7848, ESW7x80, Installation, 30 Zoll, Flush inset, combi, wide front, XL

A – Cut-out (4" x 28" / 100 mm x 720 mm) in the bottom of the cabinet for power cord and ventilation. – Electrical and water supplies are recommended to be placed in adjacent cabinetry. Additional cabinet depth is required when placing the electrical and water supplies behind the appliance. E = Electric connection



DGC786x+EBA7868, ESW7x80, Installation, 30 Zoll, Flush inset, combi, wide front, XXL

A – Cut-out (4" x 28" / 100 mm x 720 mm) in the bottom of the cabinet for power cord and ventilation. – Electrical and water supplies are recommended to be placed in adjacent cabinetry. Additional cabinet depth is required when placing the electrical and water supplies behind the appliance. E = Electric connection

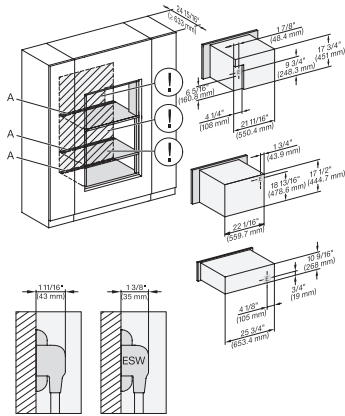


DGC7x4x+EBA7848, H7x40BM+EBA7848, ESW7x80, Installation, 30 Zoll. Flush inset, combi, wide front, XL, 450S

A – Cut-out (4" x 28" / 100 mm x 720 mm) in the bottom of the cabinet for power cord and ventilation. – Electrical and water supplies are recommended to be placed in adjacent cabinetry. Additional cabinet depth is required when placing the electrical and water supplies behind the appliance. E = Electric connection

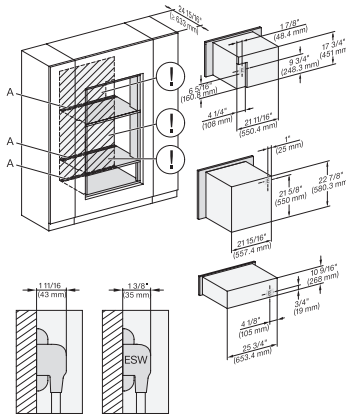
ESW 7680

Handleless Gourmet warming drawer, 30-" width and 10 13/16" height for preheating dishware, keeping food warm, and Slow Roasting.



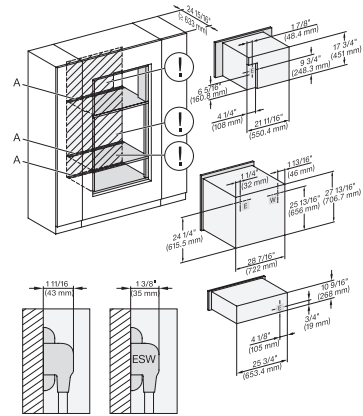
DGC7x4+EBA7848, H7x70BM, ESW7x80, Installation, 30 Zoll, Flush inset, combi, wide front, XL

A – Cut-out (4" x 28" / 100 mm x 720 mm) in the bottom of the cabinet for power cord and ventilation. – Electrical and water supplies are recommended to be placed in adjacent cabinetry. Additional cabinet depth is required when placing the electrical and water supplies behind the appliance. E = Electric connection



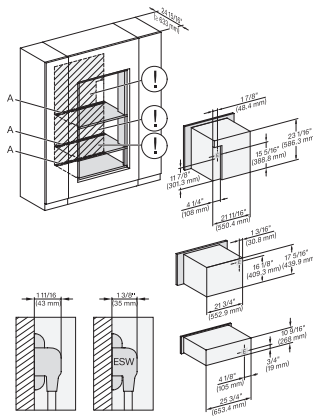
DGC7x4+EBA7848, H7x6+EBA7868, ESW7x80, Installation, 30 Zoll, Flush inset, combi, wide front, XL, 650S

A – Cut-out (4" x 28" / 100 mm x 720 mm) in the bottom of the cabinet for power cord and ventilation. – Electrical and water supplies are recommended to be placed in adjacent cabinetry. Additional cabinet depth is required when placing the electrical and water supplies behind the appliance. E = Electric connection



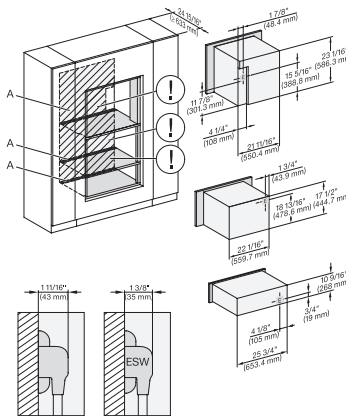
DGC7x4+EBA7848, H2880BP, H7x8+BP(X), ESW7x80, Installation, 30 Zoll, Flush inset, combi, wide front, XL, 650

A – Cut-out (4" x 28" / 100 mm x 720 mm) in the bottom of the cabinet for power cord and ventilation. – Electrical and water supplies are recommended to be placed in adjacent cabinetry. Additional cabinet depth is required when placing the electrical and water supplies behind the appliance. E = Electric connection



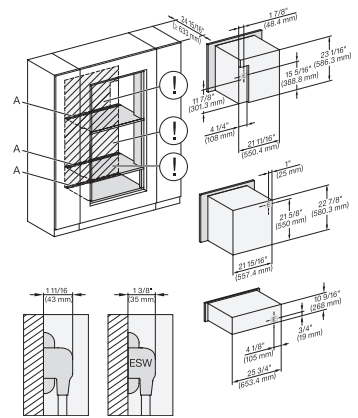
DGC786x+EBA7868, H7x40BM+EBA7848, ESW7x80, Installation, 30 Zoll, Flush inset, combi, wide front, XXL, 450S

A – Cut-out (4" x 28" / 100 mm x 720 mm) in the bottom of the cabinet for power cord and ventilation. – Electrical and water supplies are recommended to be placed in adjacent cabinetry. Additional cabinet depth is required when placing the electrical and water supplies behind the appliance. E = Electric connection



DGC786x+EBA7868, H7x70BM(X), ESW7x80, Installation, 30 Zoll, Flush inset, combi, wide front, XXL

A – Cut-out (4" x 28" / 100 mm x 720 mm) in the bottom of the cabinet for power cord and ventilation. – Electrical and water supplies are recommended to be placed in adjacent cabinetry. Additional cabinet depth is required when placing the electrical and water supplies behind the appliance. E = Electric connection

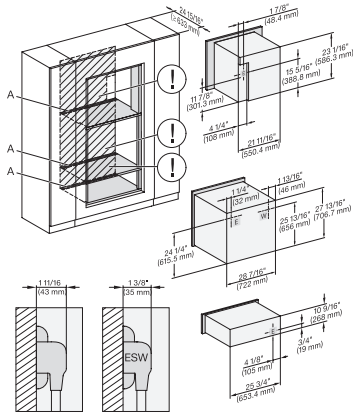


DGC786x+EBA7868, H7x6+EBA7868, ESW7x80, Installation, 30 Zoll, Flush inset, combi, wide front, XXL, 650S

A – Cut-out (4" x 28" / 100 mm x 720 mm) in the bottom of the cabinet for power cord and ventilation. – Electrical and water supplies are recommended to be placed in adjacent cabinetry. Additional cabinet depth is required when placing the electrical and water supplies behind the appliance. E = Electric connection

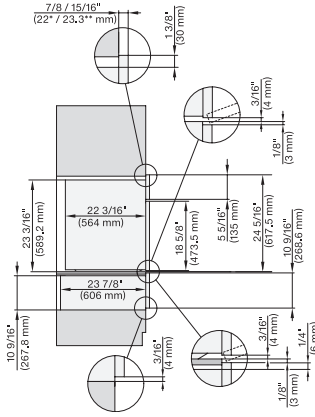
ESW 7680

Handleless Gourmet warming drawer, 30"- width and 10 13/16" height for preheating dishware, keeping food warm, and Slow Roasting.



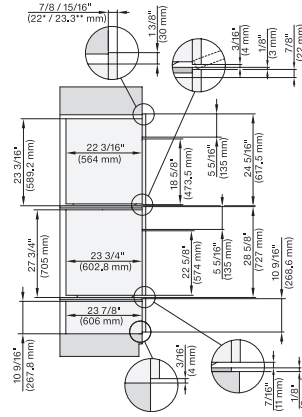
DGC786x+EBA7868, H7x80BP(X), ESW7x80, Installation, 30 Zoll, Flush inset, combi, wide front XXL, 650

A – Cut-out (4" x 28" / 100 mm x 720 mm) in the bottom of the cabinet for power cord and ventilation. – Electrical and water supplies are recommended to be placed in adjacent cabinetry. Additional cabinet depth is required when placing the electrical and water supplies behind the appliance. E = Electric connection



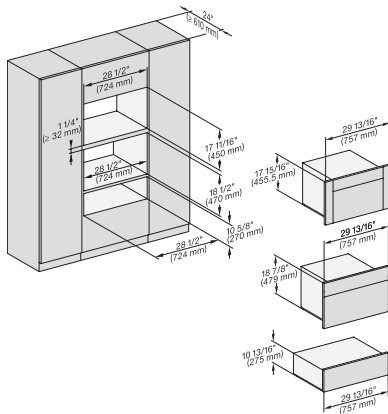
DGC7x8x, ESW7x80, side view, 30 Zoll, Proud, combi, XXL

7/8" – 22* mm – Glass, 15/16" – 23.3** mm – Stainless steel



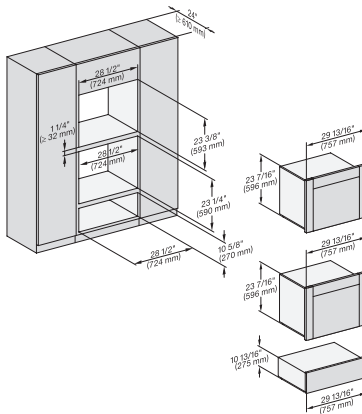
DGC7x8x(X), H2x80BP, H7x8xBP(X), ESW7x80, side view, 30 Zoll, Proud, combi, XXL, 650

7/8" – 22* mm – Glass, 15/16" – 23.3** mm – Stainless steel



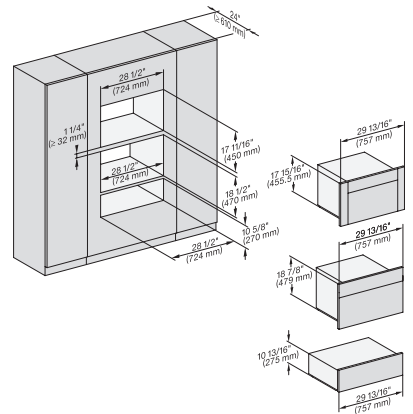
DGC7x4x+EBA7848, H7x70BM, ESW7x80, Einbau, 30 Zoll, Proud, combi, XL

7/8" – 22* mm – Glass, 15/16" – 23.3** mm – Stainless steel



DGC786x+EBA7868, H7x6x+EBA7868, ESW7x80, Einbau, 30 Zoll, Proud, combi, XXL, 650S

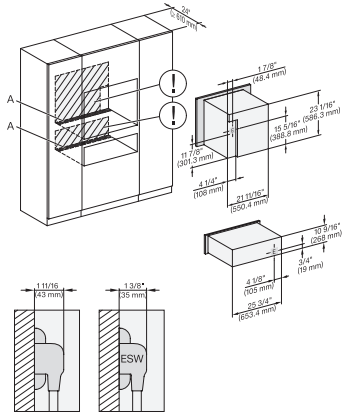
7/8" – 22* mm – Glass, 15/16" – 23.3** mm – Stainless steel



DGC7x4x+EBA7848, H7x70BM(X), ESW7x80, Einbau, 30 Zoll, Proud, combi, wide front XL

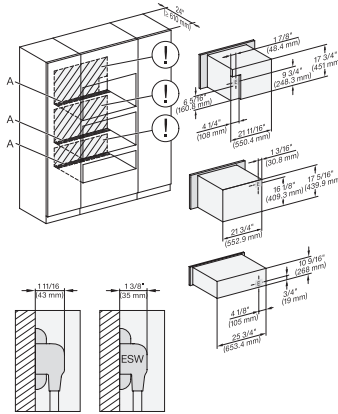
ESW 7680

Handleless Gourmet warming drawer, 30-" width and 10 13/16" height for preheating dishware, keeping food warm, and Slow Roasting.



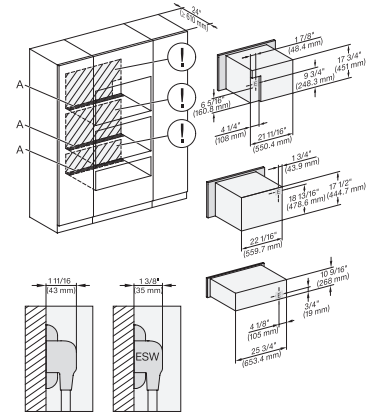
DGC786x+EBA7868, ESW7x80, Installation, 30 Zoll, Proud, combi, XXL

A – Cut-out (4" x 28" / 100 mm x 720 mm) in the bottom of the cabinet for power cord and ventilation. – Electrical and water supplies are recommended to be placed in adjacent cabinetry. Additional cabinet depth is required when placing the electrical and water supplies behind the appliance. E = Electric connection



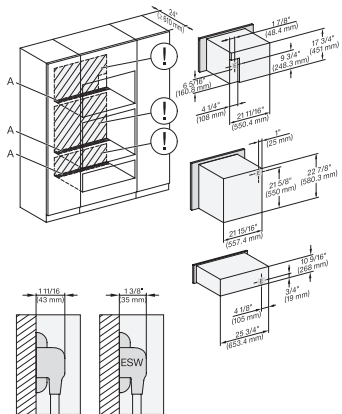
DGC7x4x+EBA7848, H7x40BM+7808, ESW7x80, Installation, 30 Zoll, Proud, combi, XL, 450S

A – Cut-out (4" x 28" / 100 mm x 720 mm) in the bottom of the cabinet for power cord and ventilation. – Electrical and water supplies are recommended to be placed in adjacent cabinetry. Additional cabinet depth is required when placing the electrical and water supplies behind the appliance. E = Electric connection



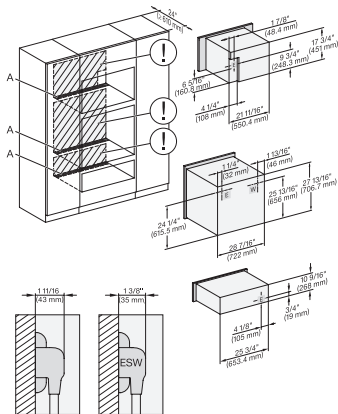
DGC7x4x+EBA7848, H7x70BM(X), ESW7x80, Installation, 30 Zoll, Proud, combi, XL

A – Cut-out (4" x 28" / 100 mm x 720 mm) in the bottom of the cabinet for power cord and ventilation. – Electrical and water supplies are recommended to be placed in adjacent cabinetry. Additional cabinet depth is required when placing the electrical and water supplies behind the appliance. E = Electric connection



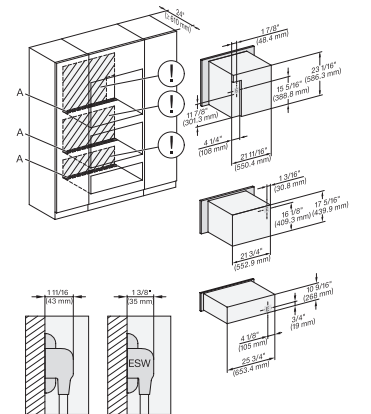
DGC7x4x+EBA7848, H7x6xBP+EBA7848, ESW7x80, Installation, 30 Zoll, Proud, combi, XL, 650S

A – Cut-out (4" x 28" / 100 mm x 720 mm) in the bottom of the cabinet for power cord and ventilation. – Electrical and water supplies are recommended to be placed in adjacent cabinetry. Additional cabinet depth is required when placing the electrical and water supplies behind the appliance. E = Electric connection



DGC7x4x+EBA7848, H2880BP, H7x6xBP(X), ESW7x80, Installation, 30 Zoll, Proud, combi, XL, 650

A – Cut-out (4" x 28" / 100 mm x 720 mm) in the bottom of the cabinet for power cord and ventilation. – Electrical and water supplies are recommended to be placed in adjacent cabinetry. Additional cabinet depth is required when placing the electrical and water supplies behind the appliance. E = Electric connection

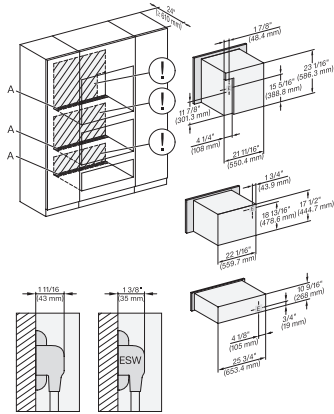


DGC786x+EBA7868, H7x40BM+EBA7848, ESW7x80, Installation, 30 Zoll, Proud, combi, XXL, 450S

A – Cut-out (4" x 28" / 100 mm x 720 mm) in the bottom of the cabinet for power cord and ventilation. – Electrical and water supplies are recommended to be placed in adjacent cabinetry. Additional cabinet depth is required when placing the electrical and water supplies behind the appliance. E = Electric connection

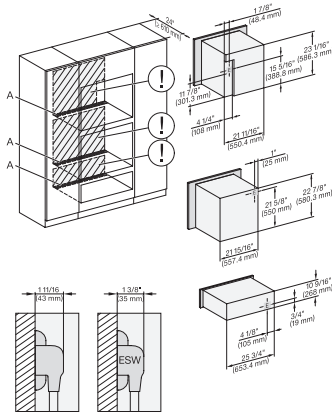
ESW 7680

Handleless Gourmet warming drawer, 30-" width and 10 13/16" height for preheating dishware, keeping food warm, and Slow Roasting.



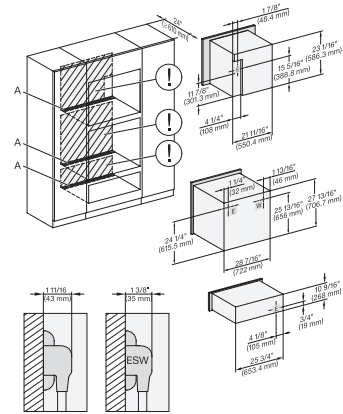
DGC786x+EBA7868, H7x70BM(X), ESW7x80, Installation, 30 Zoll, Proud, combi, XXL

A – Cut-out (4" x 28" / 100 mm x 720 mm) in the bottom of the cabinet for power cord and ventilation. – Electrical and water supplies are recommended to be placed in adjacent cabinetry., Additional cabinet depth is required when placing the electrical and water supplies behind the appliance., E = Electric connection



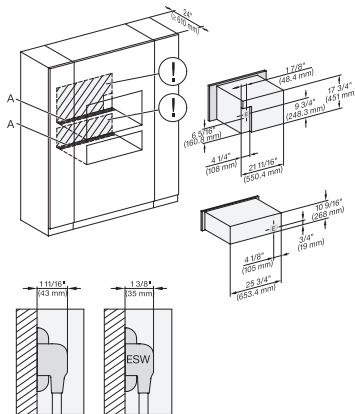
DGC786x+EBA7868, H7x6xBP+EBA7848, ESW7x80, Installation, 30 Zoll, Proud, combi, 650S

A – Cut-out (4" x 28" / 100 mm x 720 mm) in the bottom of the cabinet for power cord and ventilation. – Electrical and water supplies are recommended to be placed in adjacent cabinetry., Additional cabinet depth is required when placing the electrical and water supplies behind the appliance., E = Electric connection



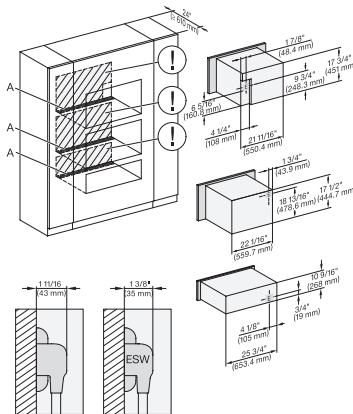
DGC786x+EBA7868, H7x8xBP, ESW7x80, Installation, 30 Zoll, Proud, combi, XXL, 650

A – Cut-out (4" x 28" / 100 mm x 720 mm) in the bottom of the cabinet for power cord and ventilation. – Electrical and water supplies are recommended to be placed in adjacent cabinetry., Additional cabinet depth is required when placing the electrical and water supplies behind the appliance., E = Electric connection



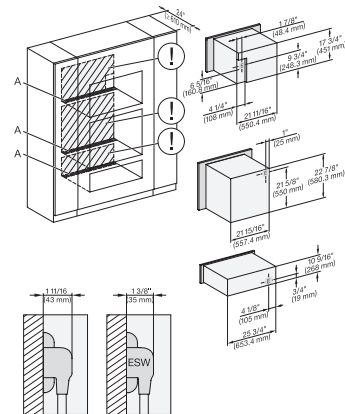
DGC7x4x+EBA7848, ESW7x80, Installation, 30 Zoll, Proud, combi, wide front, XL

A – Cut-out (4" x 28" / 100 mm x 720 mm) in the bottom of the cabinet for power cord and ventilation. – Electrical and water supplies are recommended to be placed in adjacent cabinetry., Additional cabinet depth is required when placing the electrical and water supplies behind the appliance., E = Electric connection



DGC7x4x+EBA7848, H7x70BM(X), ESW7x80, Installation, 30 Zoll, Proud, combi, wide front, XL

A – Cut-out (4" x 28" / 100 mm x 720 mm) in the bottom of the cabinet for power cord and ventilation. – Electrical and water supplies are recommended to be placed in adjacent cabinetry., Additional cabinet depth is required when placing the electrical and water supplies behind the appliance., E = Electric connection

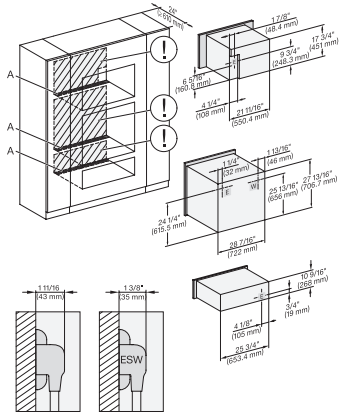


DGC7x4x+EBA7848, H7x6xBP+EBA7848, ESW7x80, Installation, 30 Zoll, Proud, combi, wide front, XL, 650S

A – Cut-out (4" x 28" / 100 mm x 720 mm) in the bottom of the cabinet for power cord and ventilation. – Electrical and water supplies are recommended to be placed in adjacent cabinetry., Additional cabinet depth is required when placing the electrical and water supplies behind the appliance., E = Electric connection

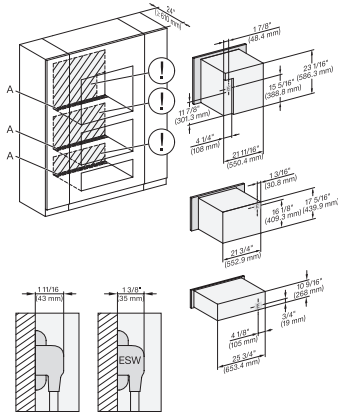
ESW 7680

Handleless Gourmet warming drawer, 30-" width and 10 13/16" height for preheating dishware, keeping food warm, and Slow Roasting.



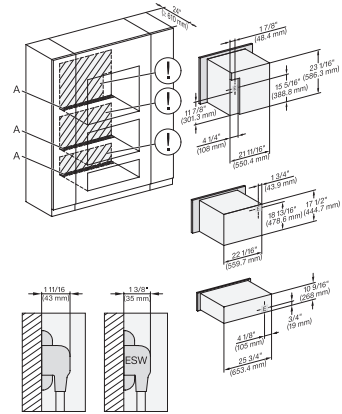
DGC7x4x+EBA7848, H2880BP, H7x8x8BP, ESW7x80, Installation, 30 Zoll, Proud, combi, wide front, XL, 650

A – Cut-out (4" x 28" / 100 mm x 720 mm) in the bottom of the cabinet for power cord and ventilation. – Electrical and water supplies are recommended to be placed in adjacent cabinetry. Additional cabinet depth is required when placing the electrical and water supplies behind the appliance. E = Electric connection



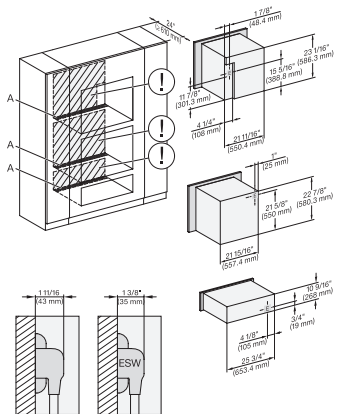
DGC786x+EBA7868, H7x40BM+EBA7848, ESW7x80, Installation, 30 Zoll, Proud, combi, wide front, XXL, 450S

A – Cut-out (4" x 28" / 100 mm x 720 mm) in the bottom of the cabinet for power cord and ventilation. – Electrical and water supplies are recommended to be placed in adjacent cabinetry. Additional cabinet depth is required when placing the electrical and water supplies behind the appliance. E = Electric connection



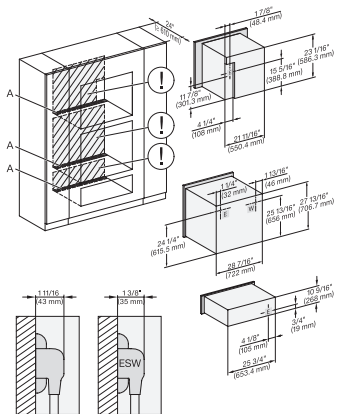
DGC786x+EBA7868, H7x70BM(X), ESW7x80, Installation, 30 Zoll, Proud, combi, wide front, XXL

A – Cut-out (4" x 28" / 100 mm x 720 mm) in the bottom of the cabinet for power cord and ventilation. – Electrical and water supplies are recommended to be placed in adjacent cabinetry. Additional cabinet depth is required when placing the electrical and water supplies behind the appliance. E = Electric connection



DGC786x+EBA7868, H7x6BP+EBA7848, ESW7x80, Installation, 30 Zoll, Proud, combi, wide front, XXI, 650S

A – Cut-out (4" x 28" / 100 mm x 720 mm) in the bottom of the cabinet for power cord and ventilation. – Electrical and water supplies are recommended to be placed in adjacent cabinetry. Additional cabinet depth is required when placing the electrical and water supplies behind the appliance. E = Electric connection



DGC786x+EBA7868, H7x80BP(X), ESW7x80, Installation, 30 Zoll, Proud, combi, wide front, XXI, 650

A – Cut-out (4" x 28" / 100 mm x 720 mm) in the bottom of the cabinet for power cord and ventilation. – Electrical and water supplies are recommended to be placed in adjacent cabinetry. Additional cabinet depth is required when placing the electrical and water supplies behind the appliance. E = Electric connection