

FOTILE

RANGE HOOD

User Manual | EMG9050

Please read carefully about the user manual before using the product.
And keep it well after reading, for future reference.

Any needs, please contact FOTILE service center.
Some pictures in this manual are sketch map, only
for reference. If there are some discrepancies,
please subject to real object.

Dear User, thank you for purchasing the Fotile Range Hood. At Fotile, we manufacture exquisite appliances that are expertly crafted with the finest materials. Before using the Fotile Range Hood, please take some time to read through this Product Manual (manual). It will familiarize you with important safety, operation and maintenance instructions, as well as help maximize your culinary experience.

Before using the Fotile Range Hood, you must follow the instructions, as specified in this manual. Any damage resulting from the improper operation and/or maintenance of the appliance may result in the loss of warranty. The warranty will become invalid, and your warranty application, whether direct or indirect, will not be accepted by authorized service center of Fotile. If you require warranty or post-warranty after-sale service, please contact the local authorized service center of Fotile nearest you.

Your satisfaction with the Fotile brand is important to us. Our after-sales service centers provide assistance in resolving issues with Fotile appliances.

Product model and serial number are required if you need services.

FOTILE America LLC

* Address: 6 Campus Dr, Suite 210, Parsippany, NJ 07054

* Toll Free: 888-315-0366

* Website: us.fotileglobal.com

* Service Mail: serviceusa@fotile.com



FOTILE YouTube



US WeChat Service

FOTILE Toronto Flagship Store

* Address: 8365 Woodbine Ave, Markham, L3R2P4

* Toll Free: 844-315-0315

* Website: ca.fotileglobal.com

* Service Mail: service@fotileca.com



Canada Wechat Official Account



Canada WeChat Service

CONTENTS

Warning and Safety Instructions 2

Usage 8

 Main Technical Specifications 8

 Operation Instruction 8

Cleaning and Maintenance 11

Normal Malfunction and Trouble Shooting 12

Installation 13

 Packing List 13

 Installation Guidance 14

 Product Basic Conditions 17

 Installation Suggestions 17

 Installation Steps 19

 Debugging 20

 Component Name Diagram 21

Features and parameters of products may be modified at any time without notice and may be slightly different from those stated on this User Manual. Please visit the official website of FOTILE for the latest information.

Warning and Safety Instructions

To ensure the safe and efficient use of your FOTILE product, please note the highlighted information in the product manual as follows:

- * **Warning:** Indicating a risk of serious bodily injury or death if precautions are not observed.
- * **Notice:** Indicating possible minor personal injury or product damage if instructions are not followed.
- * **Important:** Emphasizing information of critical importance.

Safety Instructions

Please be sure to read these safety instructions before using the product.

Please be sure to properly keep these safety instructions.

This product is for indoor use only.

To avoid any accidental risks and damage to the range hood, please read this product manual carefully before the installation and use. Only in this way can you operate this product safely and correctly and reduce the risks of fire, electric shock, personal injury, etc. Please properly keep this product manual for future use or for subsequent users.

Warning

● Risk of Electric Shock

A defective appliance may cause electric shock. Never switch on a defective appliance. Unplug the appliance from the mains or switch off the circuit breaker in the fuse box in case of problems, and contact our authorized service center.

- The range hood should be connected to a standard power socket with safe grounding. Midway connection, prolonged electric line or multi-socket wiring may cause electric shock, overheating and, in some cases, result in a fire. Installation of the range hood should be performed by professional electricians in strict accordance with electricity standards and regulations of the local area. Before connecting the rod, turn off the power source and take appropriate measures to prevent auto closing of the power switch.
- In order to prevent electric shock and/or other bodily injuries to persons, do not exceed 125V AC input.
- Do not install the range hood in a bathroom and/or a humid area, as this will significantly increase the risk of electric shock.

- If a wire is damaged or defective, contact an authorized service provider or a qualified technician (provided by FOTILE) to replace the wire.
- Do not change, stretch, knot, pressure or squeeze the wire as any resulting damage can result in electrical and/or fire hazards.
- Prevent water from coming into contact with the range hood's electrical components, such as the motor, switch and connector. Do not rinse the appliance with water. Do not use the appliance if it is wet, as electric leakage and/ or electric shock may occur.
- Do not attempt to change the range hood's internal wiring system. Improper modifications and/or repairs to the internal wiring can result in bodily injuries to persons, electric shock and/or a fire.
- In order to avoid electric shock, remember to turn off the appliance's power source before installation, cleaning and/or maintenance service.
- Avoid using high-pressure detergents and/or steam cleaners on the appliance, as they may result in electric shock.
- Do not touch the plug or switch with wet hands, as an electric shock may occur.

● Grounding Instructions

- This appliance must be grounded. In the event of an electrical short circuit, grounding reduces the risk of electric shock by providing an escape wire for the electric current. This appliance is equipped with a cord having a grounding wire with a grounding plug. The plug must be plugged into an outlet that is properly installed and grounded.
- The grounding-type attachment plug provided with this appliance shall be connected to a grounding-type receptacle installed in accordance with CSA C22.1, Canadian Electrical Code, Part I.
- Improper grounding can result in electric shock.
- Consult a qualified electrician if the grounding instructions are not completely understood, or if doubt exists as to whether the appliance is properly grounded.
- Do not use an extension cord. If the power supply cord is too short, have a qualified electrician install an outlet near the appliance.

● Risk of Fire

- In order to reduce the risk of fire and to properly exhaust air, we recommend duct the air outside. Do not vent exhaust air into spaces within walls, ceilings, attics, crawl spaces and/ or garages.
- In order to prevent the risk of fire, the range hood should be operated and maintained in accordance to the instructions.
- Hot oils may ignite and burn quickly. Never leave hot oils unattended.
- Clean the hood's oil cup at regular intervals, as leftover grease deposits may ignite.
- Never operate the range hood without the filter.
- Never work with naked flames close to the appliance. Do not install the appliance near a heat-producing appliance for solid fuel (e.g. wood or coal) .There must be no flying sparks.

- Avoid cooking with food products that produce flames under the range hood.
- To Reduce Risk of Cooktop Grease Fire:
 1. Never leave the burners work unattended. Overflowing cause smoking and greasy spillovers that may ignite. Heat oils slowly on low or medium settings.
 2. Always turn the hood on during cooking.
 3. Cooking grease may stick on the surface of the kitchen floor, cabinet, vent duct, etc. Better clean regularly to avoid fire risk.
 4. Use proper pan size. Always use cookware appropriate for the size of the pan support.
- To Reduce the Risk of Injury to persons in the event of cooktop fire, observe the following:
 1. Smother flames with lid, cookie sheet, or metal tray, then turn off the burner. Be careful to prevent burns. If the flames do not go out immediately, evacuate and call the fire department.
 2. When the cooking utensil catches fire, switch off the range hood immediately. Effective extinguishing measures must be taken at once, such as covering the open flame with metal cover, turning off the master gas valve and keeping flammable substance from the open flame etc.
 3. Never pick up a flaming pan you may be burned.
 4. Do not use water, including wet dishcloths or towels a violent steam explosion will result.
- Use an Extinguisher Only If:
 1. You know you have a class ABC extinguisher and you already know how to operate it.
 2. The fire is small and contained in the area where it started.
 3. The fire department is being called.
 4. You can fight the fire with your back to an exit.
- Risk of Injury
 - This appliance is not intended for use by persons (including children) with reduced physical, sensory or mental capabilities, or lack of experience and knowledge, unless they have been given supervision or instruction concerning use of the appliance by a person responsible for their safety. Children should be supervised to ensure that they do not play with the appliance.
 - The range hood may have sharp edges. Be careful to avoid cuts and abrasions during installation and cleaning. Do wear qualified protective gloves.
 - The accessible parts become very hot when in operation. Never touch hot parts. Keep children at a safe distance.
 - Do not touch lamps during or soon after operation. Burns may occur.

- Do not insert your limbs and/or foreign objects into the impeller while the range hood is in operation, as that action might cause injury.
- This appliance is not intended for operation with an external clock timer or a remote control.
- Incorrect repairs are dangerous. Repairs may only be carried out and damaged power cables replaced by one of our trained aftersales technicians.
- If any abnormalities and/or defects occur while operating the range hood, immediately turn off the appliance and unplug the appliance from the mains or switch off the circuit breaker in the fuse box. Then, contact our authorized service center. Abnormal operation and defects may cause hazardous situations, such as electric shocks and fires.
- This product contains chemicals known to the State of California to cause cancer, and birth defects or other reproductive harm. For more information, please go to: www.P65Warnings.ca.gov
- Risk of Suffocation
 - Packaging material is dangerous to children. Never allow children to play with packaging material, which may cause suffocation. Keep all packing material out of proximity to children. Please remember that packaging materials should not be treated as toys.
- Risk of Death
 - Risk of poisoning from flue gases that are drawn back in. Always ensure adequate fresh air in the room if the appliance is being operated in exhaust air mode at the same time as room air-dependent heat-producing appliance is being operated. Exhaust gases through the flue (chimney) of fuel burning equipment to prevent back drafting. FOTILE is not responsible for injuries caused by improper and/or incorrect operation of the range hood.

Notice

- When applicable local regulations comprise more restrictive installation and/or certification requirements, the aforementioned requirements will prevail, and installation personnel must conform to these requirements.
- The operating temperature of the range hood should not exceed 104 °F (40°C).
- Please do not place anything on top of the product. Anything placed on top may fall off or incline. For example, if you place seasoning bottles on top, the inclination may cause liquid to flow inside the product, resulting in damaged electrified components and therefore unnecessary risks. Our company will not bear the responsibility for free repair in case of product damage due to the above reason.

- Clean the oil cup frequently to prevent overflow. The resulting grease is inedible! Please do not place flammable materials in the oil cup, such as plastic wrap, paper towels, etc.
- When cutting or drilling into the wall or ceiling, be careful not to damage electrical wiring, water pipes, gas lines, or other hidden utilities.
- Adhere to the heating equipment manufacturer's guidelines and safety standards, such as those published by the National Fire Protection Association (NFPA), the American Society for Heating, Refrigeration and Air Conditioning Engineers (ASHRAE) and the local code authorities. Meanwhile, conform to the safety standards issued by such administrative departments as fire department.
- When gas burners are in operation without any cookware placed on them, they can build up a lot of heat. A ventilation appliance installed above the cooker may become damaged or catch fire. Only operate the gas burners with cookware on them.
- Adhere to the voltage and frequency settings listed in this manual to avoid possible damages to the range hood.
- Please use standard accessories provided by our company to prevent the range hood from falling down accidentally. The hole drilled in the wall should precisely match the size of the expansion pipe, otherwise, the range hood may loose and fall down.
- Tempered glass is applied to the products of the company and the tempering treatment of the glass determines the extremely little possibility of spontaneous explosion. If the occurrence of spontaneous explosion is not due to improper use, our company promises free replacement of the accessories. The possibility of tempered glass breaking can be significantly increased in the following situations, which should be avoided: For instance, hitting the glass, especially the corners of the glass, with cooking utensils or other hard objects; The glass is impacted when you open a cabinet door around the Range Hood; Put the glass in an extremely hot or cold environment or an environment where heat and cold are excessively alternated.
- Unauthorized modification of this product can lead to risks.
- This equipment has been tested and found to comply with the limits for a Class B digital device, pursuant to Part 15 of the FCC Rules. These limits are designed to provide reasonable protection against harmful interference in a residential installation. This equipment generates, uses and can radiate radio frequency energy and, if not installed and used in accordance with the instructions maybe cause harmful interference to radio communications. However, there is no guarantee that interference will not occur in a particular installation. If this equipment does cause harmful interference to radio or television reception, which can be determined by turning the equipment off and on, the user is encouraged to try to correct the interference by one or more of the following measures: Reorient or relocate the receiving antenna. Increase the separation between the equipment and receiver. Connect the equipment into an outlet on a circuit different from that to which receiver is connected. Consult the dealer or an experienced radio/TV technician for help.
- This equipment has been tested and found to comply with the limits for a Class B digital device, pursuant to Part 15 of the FCC Rules. These limits are designed to provide reasonable protection against harmful interference in a residential installation. This equipment generates, uses and can radiate radio frequency energy and, if not installed and used in accordance with the instructions maybe cause harmful interference to radio communications. However, there is no guarantee that interference will not occur in a particular installation. If this equipment does cause harmful interference to

radio or television reception, which can be determined by turning the equipment off and on, the user is encouraged to try to correct the interference by one or more of the following measures:

- Reorient or relocate the receiving antenna.
- Increase the separation between the equipment and receiver.
- Connect the equipment into an outlet on a circuit different from that to which receiver is connected.
- Consult the dealer or an experienced radio/TV technician for help.
- This device complies with Industry Canada licence-exempt RSS standard(s). Operation is subject to the following two conditions: (1) This device may not cause interference, and (2) This device must accept any interference, including interference that may cause undesired operation of the device.

Important

- This appliance is intended for indoor home cooking only; it cannot be used for outdoor cooking. Please use this product only according to the manufacturer's instructions. FOTILE assumes no responsibility if you use it in special environment. Please contact a FOTILE authorized service center if you encounter any problem.
- Check the appliance for damage after unpacking it. If you detect any obvious damage to the product, do not proceed with the installation. Please contact our authorized service center immediately.
- Avoid placing gypsum powder, construction dust, etc. within close proximity of the range hood.
- Operate the range hood only in the manner outlined in this product manual. When operating the range hood, do not leave the appliance unattended. If you have any questions and/or concerns, please contact our authorized service center.
- Operate, clean and maintain the range hood in accordance to the instructions outlined in this manual.
- Clean the metal grease filter according to the instructions.
- The range hood's motor has a thermal overload function, which automatically turns off the motor when it overheats. Once the motor cools down, the range hood will automatically restart. If the motor, continually turns off and restarts, please contact our authorized service center.
- If the range hood has not been in operation for an extended period of time, unplug the appliance.
- Please make sure correct installation and maintenance of the appliance. Installation work and electrical wiring must be done by qualified person(s), in accordance with all applicable codes and standards, including fire-rated construction codes and standards. The installation personnel should be responsible for normal operation of the appliance at the installed position.
- Please install the damper according to the national or local codes if you need.
- For general exhausting only. Do not use this range hood to exhaust hazardous and /or explosive materials or gas.
- The product itself is nonflammable.
- In order to reduce the risk of fire, all exhaust pipes, flues and devices should be nonflammable. Use only metal duct cover and metal duct pipes. Never cover the hood with flammable plastic film or paper.

- Services guaranteed under warranty must be performed by FOTILE certified service provider or personnel. The warranty is not effective for products removed for repair without authorization.
- Please read the specification label on the range hood for further information and requirements.
- Please install a supplementary air device if you install the high-power Range Hood in an airtight room. Due to the configuration of the FOTILE Range Hood, it is recommended for users with an airtight new house to install a supplementary air device. Please comply with relevant regulations to install corresponding supplementary air device if there are relevant regulations in your state or region.
- This product is for use in the U.S. and Canada only.

Usage

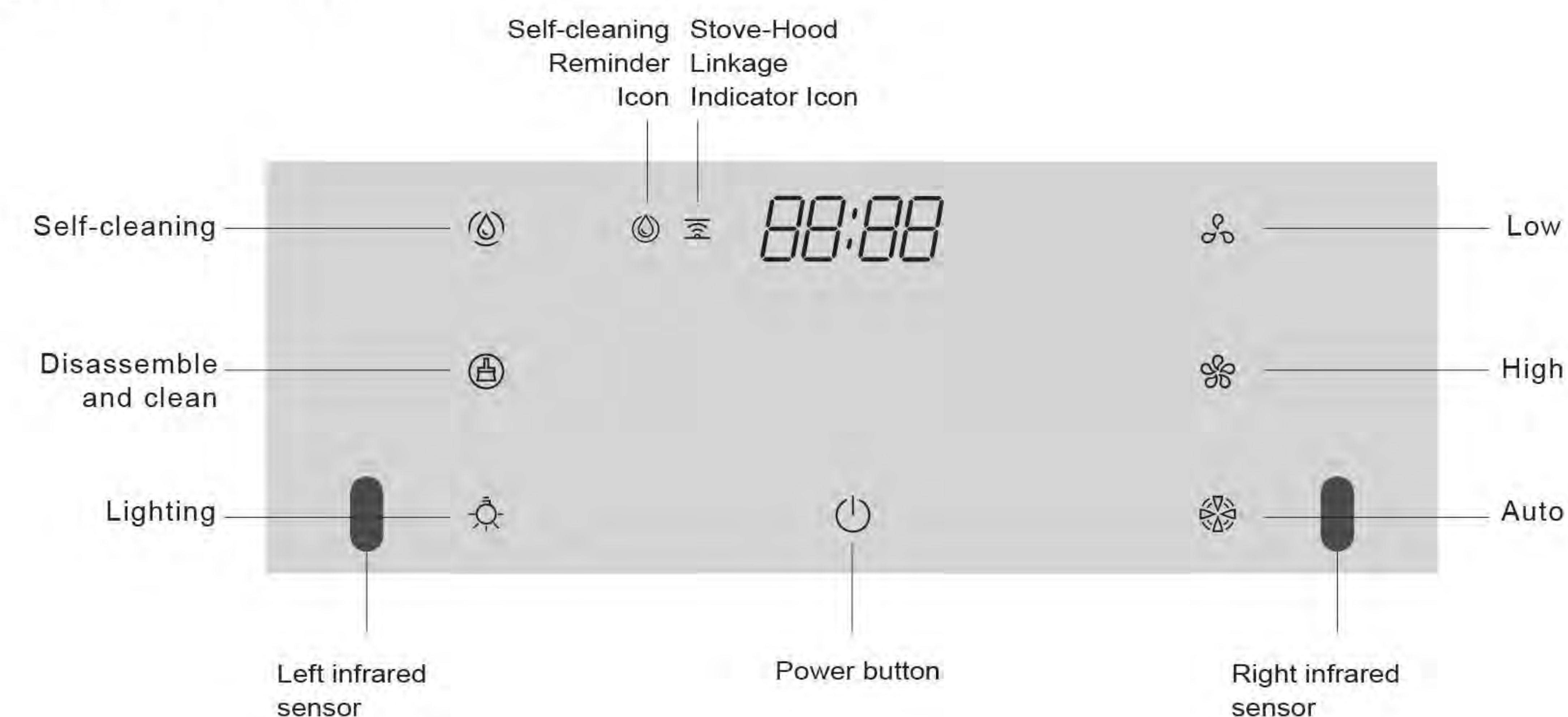
Main Technical Specifications

Model		EMG9050
Certification		ETL
Product Size	Width	35 1/4inches(895mm)
	Depth	20 1/2inches(520mm)
	Height	25 5/8inches(600mm)
Voltage/Frequency		120V/60Hz
Input Power		310W
LED Lights		5W



Operation Instruction

■ Control Interface



■ Instructions on Function Keys

■ 00 Gesture sensing function

Wave your hand through the sensing windows at both ends on the interface to turn on/off the range hood;
 (In the shutdown state, press ☀ and ☼ at the same time for 5 seconds to enable/disable the gesture sensing function)

■ ⏻ Power button

Tap ⏻ to enter the standby state, at which point you can operate other keys (It will automatically turn off if no other key is operated within 2 minutes) Tap ⏻ when the fan is working, then the icon ⏻ flashes, it will enter the delay state and automatically turn off after 5 minutes, if you tap the ⏻ again, it will turn off directly (if you tap other air volume keys during delayed shutdown, it will exit the delay shutdown)

The following keys can work only when the power button is on

■ ☼ Low

Tap ☼ to run the pterygoid plate to the middle position and start low-gear operation. Tap ☼ again to stop the fan;

■ ☼ High

Tap ☼ to run the pterygoid plate to the lowest position and start high-gear operation. Tap ☼ again to stop the fan;

■ ☼ Auto

Tap ☼ to make the range hood enter the automatic cruise mode, and it will automatically adjust the air volume and the lifting position of pterygoid plate according to the amount of oil fume, so as to achieve the optimal oil fume suction effect;
 Long press ☼ for two seconds, the ☼ indicator will be on and the range hood will enter the super-gear mode. It will enter the auto-cruise mode after running the super-gear mode for one hour.

■ ⏻ Self-cleaning

Tap ⏻ to enter the self-cleaning mode, the pterygoid plate will be lifted to the highest position, and the self-cleaning operation will last for 30 seconds, the running time will be displayed on the digital screen. Under the self-cleaning mode, only the keys ⏻, ☀ and ⏻ can be operated and other keys are unavailable. After the range hood has been running for 20 hours, it will give a self-cleaning reminder. The icon ⏻ will light up to remind users to enable the self-cleaning function. After completion of the self-cleaning, the icon ⏻ will go off;

■ 🧼 Disassemble and clean

Tap 🧼 to make the range hood enter the clean and care mode, the pterygoid plate will be lowered to the lowest position, then tap 🧼 again to turn off the pterygoid plate. Under the disassembly and wash mode, only the keys ⏻, ☀ and 🧼 can be operated and other keys are unavailable;

■ ☀ Lighting

Tap ☀ to turn on the light, and then tap it again to turn off the light;

■ Instructions on linkage control of the range hood and cookers



Prerequisite for use:
Only when FOTILE range hood EMG9050 are bought together with FOTILE gas hob with the hob-to-hood connection function, the hob-to-hood connection function can be used.

How to use:

1. Code-matching connection (code-matching between the range hood and the hob is required before their connection)

- (1) Install the range hood and the gas hob properly and power them on; meanwhile, ensure that all knobs of the hob are in the off state.
- (2) Gently touch to start the range hood, making it in the standby or operating state; press and hold the LED Lamp button for 5 seconds until the range hood beeps once, and meanwhile, the hob-to-hood connection icon flashes to enter the code-matching state. In this state, turn on the hob knob and wait for a moment until the range hood beeps once; meanwhile, is normally on, indicating that code-matching is completed.

⚠ Caution: If the electrical control panel of your range hood or hob is repaired or replaced, please conduct code matching again according to the above-mentioned operating steps.

2. After code matching is successful, the connection function of the range hood and the gas hob can be realized.

After the gas hob is ignited, the range hood will automatically be turned on and the fan will operate; meanwhile, the LED Lamp will be turned on;

After the gas hob is turned off, the range hood will enter the delay state, the fan will operate in weak gear, and the range hood will automatically be shut down 5 minutes later.

3. Unmatching the hob-to-hood connection

- (1) Power on the range hood and the hob and ensure that all knobs of the hob are in the off state;
- (2) Gently touch to start the range hood, making it in the standby or operating state; press and hold the LED Lamp button for 5 seconds until the range hood beeps once, and meanwhile, the hob-to-hood connection icon flashes to enter the unmatching state. In this state, turn on the hob knob and wait for a moment until the range hood beeps twice; meanwhile, is off, indicating that unmatching is completed.

Cleaning and Maintenance

	<p>1. Cut off the power before cleaning.</p>		<p>2. All electric parts, include motor, switch, etc. should be away from water.</p>
	<p>3. Please don't clean the surface with rough material like steel wire ball, brush or coarse cloth, etc. It will greatly scratch the surface.</p>	<p>Neutral cleanser</p>	<p>4. Please don't clean with gasoline, acidic substance, benzene, solvent and other chemical agents. If you need to clean, please use neutral cleanser, and wipe dry the appliance surface by soft cloth after cleaning.</p>
<p>Wet cloth</p>	<p>5. If the stainless steel panel is stained with salty liquor, disinfectant, bleaching powder and other cleanser, please wipe it by wet cloth at once and dry it by dry cloth.</p>		<p>6. Hold up both ends of the oil cup with both hands, maintain it horizontal, slowly shift out from the front of the extractor hood, take down the cup, and pour accumulated oil.</p>
		<p>7. Firstly, press the disassembly and wash mode button to lower the pterygoid plate to the lowest position, grasp its front edge with both hands to flip down and snap it off, and then flip down to a certain angle and remove the pterygoid plate. Secondly, remove the oil mesh by holding it with your left hand and using a Phillips screwdriver with your right hand to open the two screws that fasten the oil mesh.</p>	



- a. Please cut off the power first before cleaning and replacing components so as not to get an electric shock.
- b. Please wipe surface of range hood (surface of air inlet net and back of smoke baffle shield) and close smoke baffle shield after using range hood every time.
- c. Use type lamp is self-ballasted fluorescent reflector lamp - Integral induction type ballast.
 - 1. Max wattage: 5W
 - 2. Voltage range: 9~10V
 - 3. Dimensions: width 18 11/16"(474mm)/depth 5/8"(15mm)/height 1 1/2"(37mm)

Normal Malfunction and Trouble Shooting

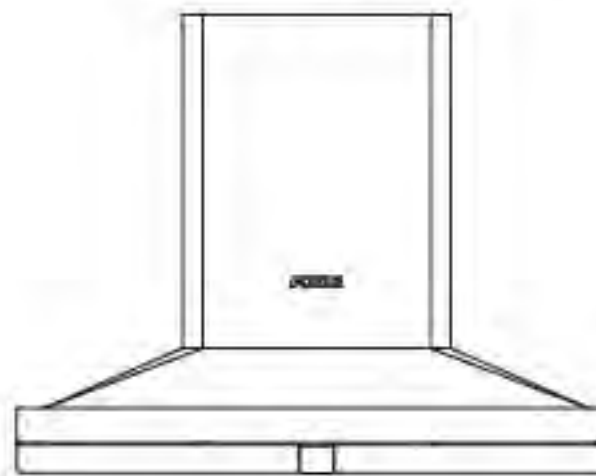
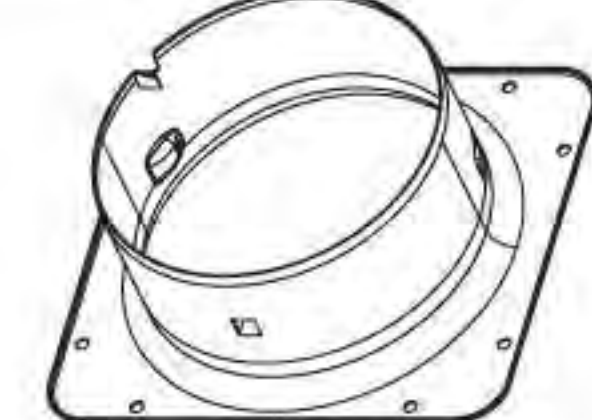
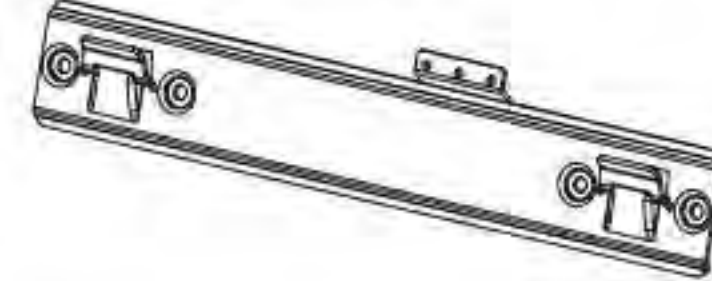
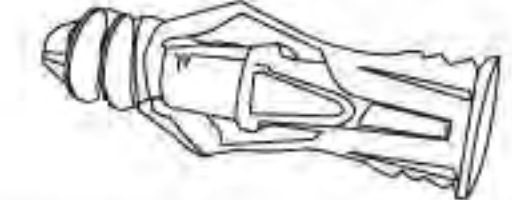
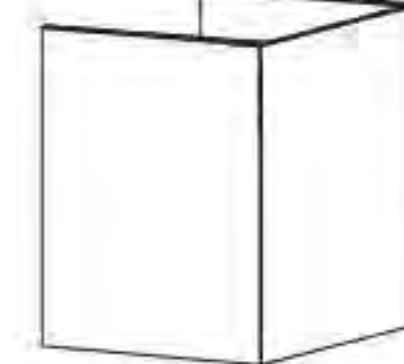
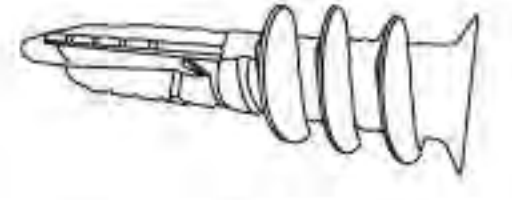
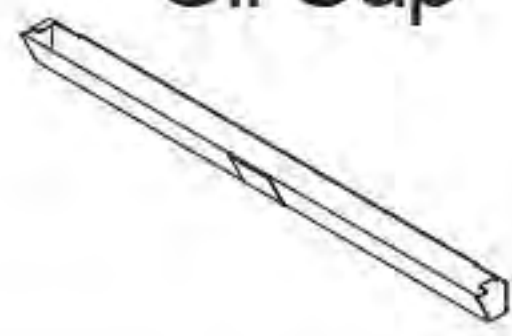

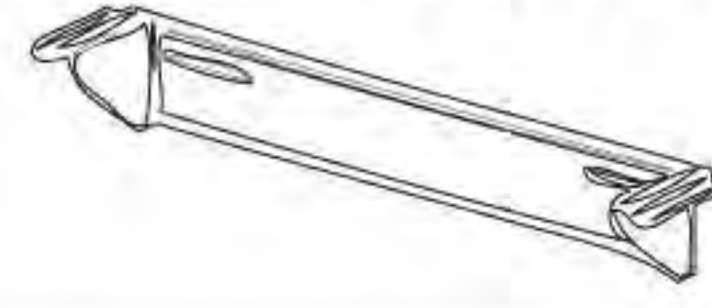
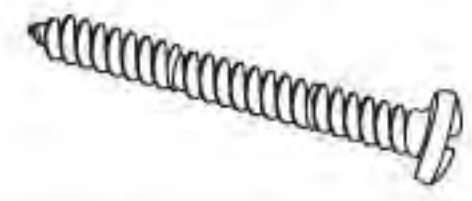

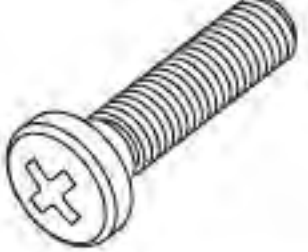

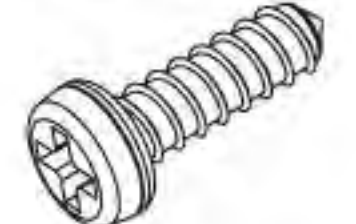
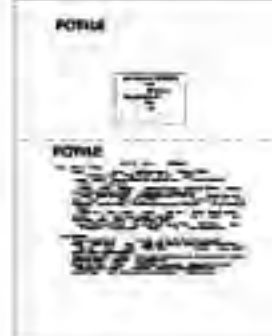
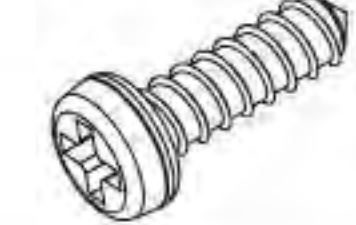

Malfunctions	Possible reasons	How to check
Range hood can't work, light can't lighten	Haven't connected with power supply	Check whether the plug is well inserted or not Check whether there is electricity or not in the plug
Motor can working, but light can't lighten	LED light is damaged	Replace LED light (done by professional people)
There is machinery shaking noise	Screw is loosed	check whether the surface screws are tightened or not
Suction power is weak	Too long distance between range hood and stove	Lower the range hood installation height (done by professional people)
	Too much ventilation near the range hood leads to strong convection	Close some doors and windows



- a. Change the LED light: please contact FOTILE after-sale service center.
- b. If the range hood still can't work after getting rid of the above malfunctions, please contact FOTILE service center.
- c. The following information is required for the warranty period:
 - 1.Date of purchase
 - 2.Product model
 - 3.Serial number
 - 4.Relevant vouchers for purchase
- d. The ventilator shall be not allowed to be repaired by any party other than Fotile's appointed technicians. Otherwise it may cause serious consequences and exempt the product from warranty.
- e. The following circumstances do not fall into the scope of free warranty, and a fee will be charged for repair.
 - 1.Damage resulting from improper handling, installation, use, maintenance and safekeeping conduct-ed by customer.
 - 2.Failure and damage caused by using the product beyond the normal operating conditions.
 - 3.The product installed, dismantled or repaired by customer or any party other than Fotile's appointed service staff or agency.
 - 4.Discrepancy between the information on the purchase voucher and the warranty card and the product.
 - 5.Product damage caused by force majeure (such as natural disaster and war, etc.).
 - 6.Product failure or damage arising from use not in conformity with the "instructions".

Installation

Packing List

Standard Configuration		Standard Configuration	
Product 	1	Metal Outlet Housing 	1
Hook 	1	Expansion Tubes for Tiles Φ1/4"×1 5/16"(Φ5.3×32mm) 	6
Decorative Cover 	1	Expansion Tubes for Plasterboards Φ3/16"×1 5/8"(Φ4×40mm) 	6
Oil Cup 	1	Hook Screw #8×1 7/16"(ST4.2×36mm) 	6
Decorative Cover Hook 	1	Wood Screws #10×2 9/16"(ST5×65mm) 	4
Metal Sealing Gasket 	1	Cruciform-slot Pan-head Thread-forming Screw #8×1/ 2"(M4×12mm) 	8
Operation Manual 	1	Cruciform-slot Pan-head Thread-forming Screw #4×3/4"(ST2.9×19mm)Zinc Coating 	2
Warranty Card 	1	Cruciform-slot Large-brazier-head Thread-forming Screw #8×3/8"(M4×8mm) Zinc Coating 	2
Wing-like Plate Subassembly 	1		

Installation Guidance

To ensure the safe and efficient use of your FOTILE product, please note the highlighted information in the product manual as follows:

- * **Warning:** Indicating a risk of serious bodily injury or death if precautions are not observed.
- * **Notice:** Indicating possible minor personal injury or product damage if instructions are not followed.
- * **Important:** Emphasizing information of critical importance.

Safety Instructions

Please be sure to read these safety instructions before using the product.

Please be sure to properly keep these safety instructions.

This product is for indoor use only.

Warning

- In order to reduce the risk of fire, electric shock, or injury to persons, please carefully read the following:
 - The installation and wiring of the appliance should only be carried out by a professional electrician in accordance with current national or local electric safety regulations, including fire-rated construction. Non-professional personnel should not conduct installation. Proper installation is the responsibility of the installer. Product failure due to improper installation is not covered under the FOTILE warranty.
 - Please use standard installation equipment and tools provided by FOTILE to ensure safe installation. Make sure to use the expansion tube and expansion bolt provided by our company, in case the range hood falls down accidentally. The hole drilled into the wall should precisely match the size of the expansion tube, otherwise the range hood will not be properly secured to the wall and may fall down.
 - The range hood should be connected to a standard power socket with safe grounding. The midway connection, prolonged electric line or multi-socket wiring may cause electric shock, overheating and even fire. Power off before wiring and make sure proper measures have been taken to avoid unexpected connection.

- During the installation, switch off the circuit breaker in the fuse box during installation. If the supply cord is damaged, it must be replaced by a special cord or assembly available from the manufacturer or its service agent.
- The appliance should only be installed, removed and maintained by qualified technicians to prevent risks like electric shocks, falling or fires from occurring.
- Risk of Injury:
 - Unplug the appliance from the mains or switch off the circuit breaker in the fuse box before installation, cleaning, maintenance and repair in order to avoid electric shock.
 - The range hood may have sharp edges. Be careful to avoid cuts and abrasions during installation and cleaning. Do wear qualified protective gloves.
- Warning Before Installation
 - Prior to installation, ensure that the exhaust outlet is free of debris, as they may damage the range hood.
 - A straight and short ducting run will ensure high performance of the range hood.
 - A curving and long ducting run should be avoided, as it will lower the performance of the range hood.
 - Strictly seal the connection between the duct and duct hole with duct tape. Ensure that the connection between the duct and the duct cover is secure, and seal it with aluminum tape.
 - A small duct hole will lower the performance of the range hood. Therefore, it is highly recommended that your duct hole equal to or larger than 6"(150mm) of the size.
 - The bolts used in this product are metric-size bolts, please do not apply any unqualified bolts.

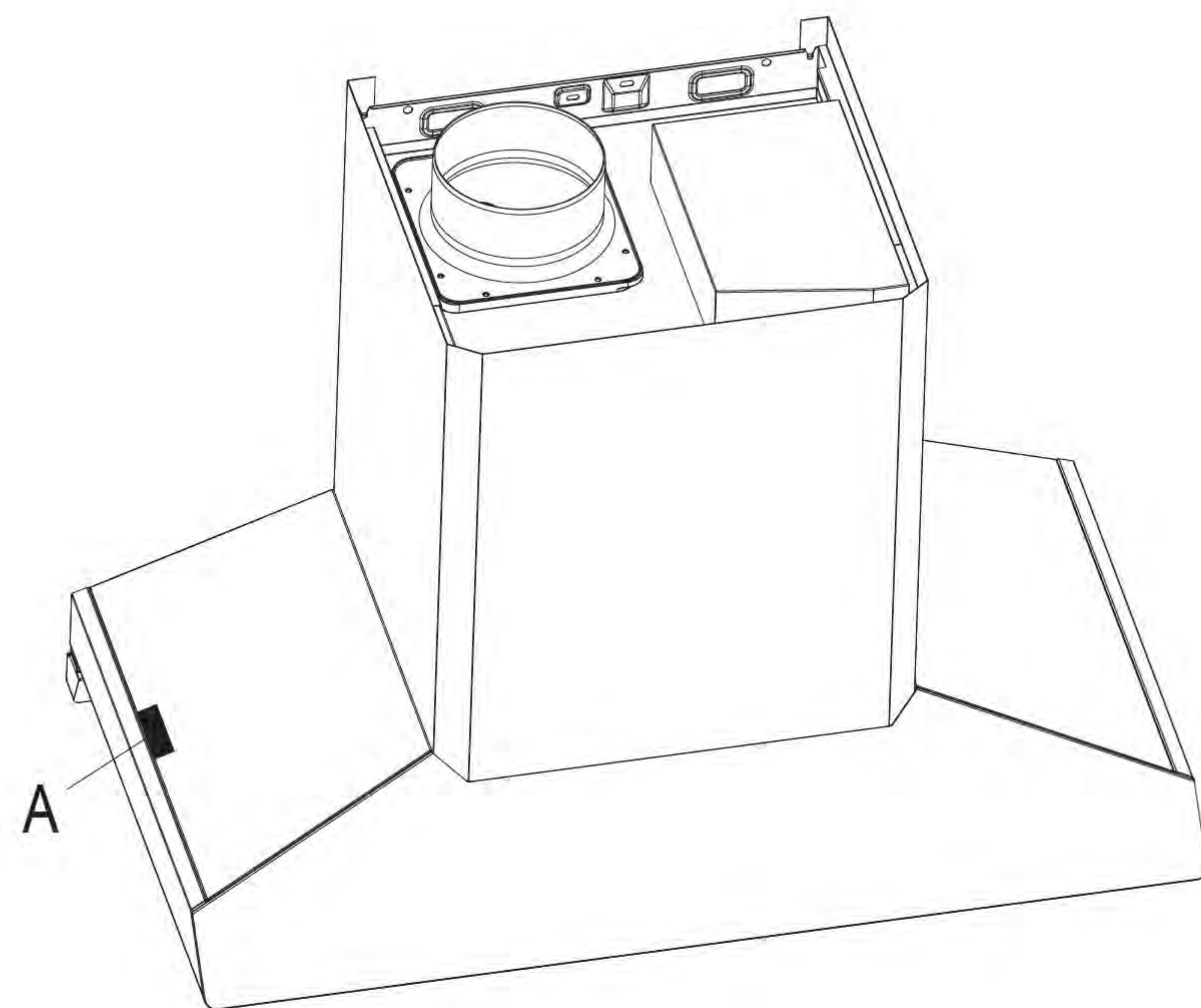
Notice

- Please carefully read all instructions prior to installation. Please give special consideration to the following items:
 - If you are renovating your kitchen, be careful to not expose the exterior of the range hood. Building materials, dust, paint, coating, and gases will corrode and tarnish the surface of the range hood. It is recommended that you install the range hood after all renovations are completed.
 - If you need to remove your gas burner before installation, please turn off the main gas valve first.
 - Do not connect the range hood duct to a duct used to exhaust hot air or fumes from another appliance.

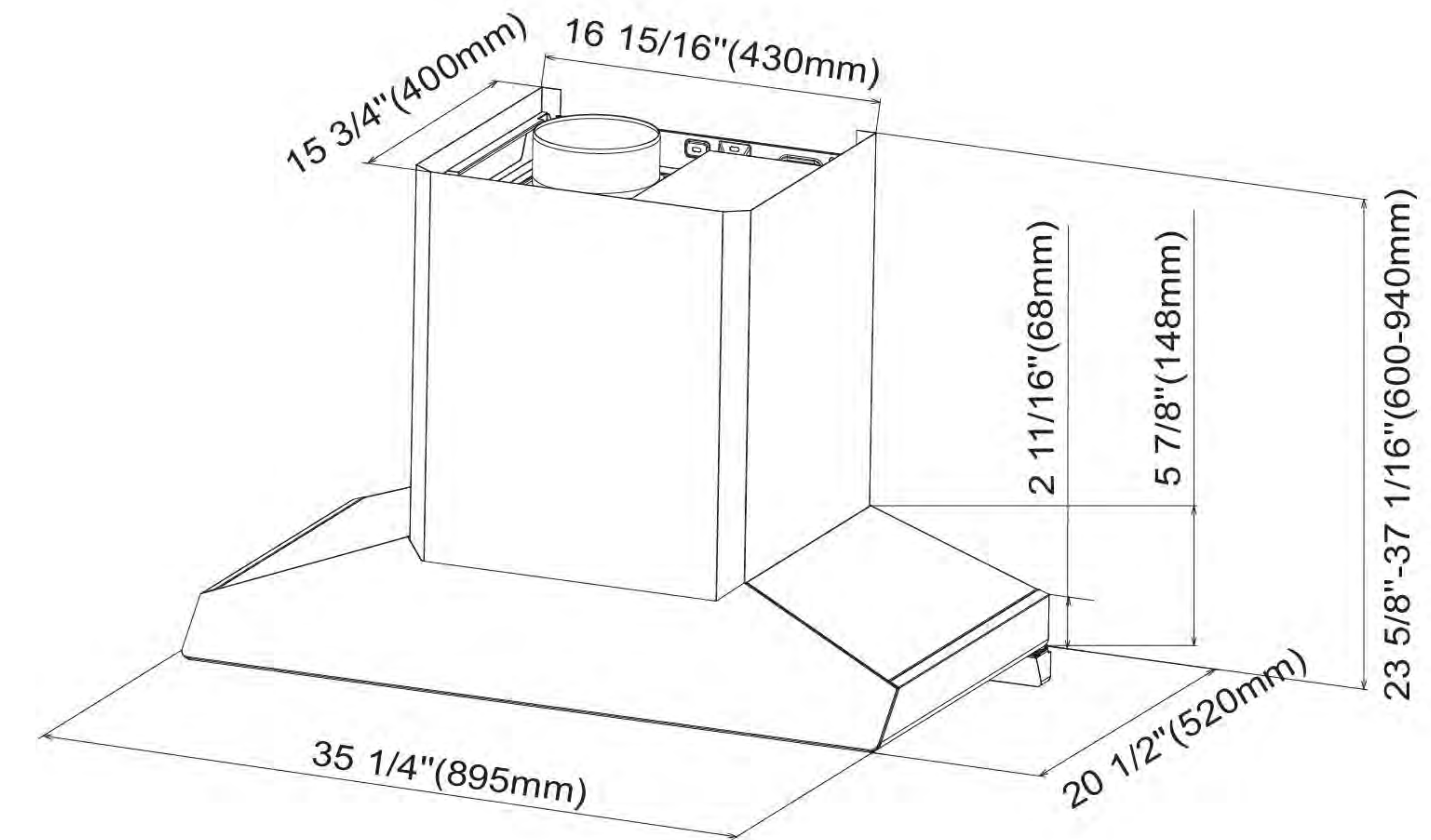
- Two installers are recommended due to the large size and heavy weight of the range hood. Since the installation is complex and the appliance is heavy, professional installers are required to install the appliance as outlined in this manual.
- After the appliance fixed, the plug should be accessible.
- Make sure to keep the appliance horizontally.
- Ensure that the appliance functions normally after the installation is complete.

Important ⚠

- Prior to installation, please read the FOTILE Range Hood Installation carefully and save it for the local inspector's future reference.
- This appliance must be installed in accordance with National Electrical Codes, as well as all state, municipal and local codes.
- The appliance must be equipped with safe circuit breaker and installed with safe grounding.
- The correct voltage, frequency and amperage must be supplied to the appliance according to the proper voltage, frequency and amperage ratings listed on the product rating plate.
- This installation must be completed by FOTILE authorized service center, or certified installers.
- Please record the model and serial number before installing the range hood. Position of plaque can be referred to in figure A as follows:



Product Basic Conditions

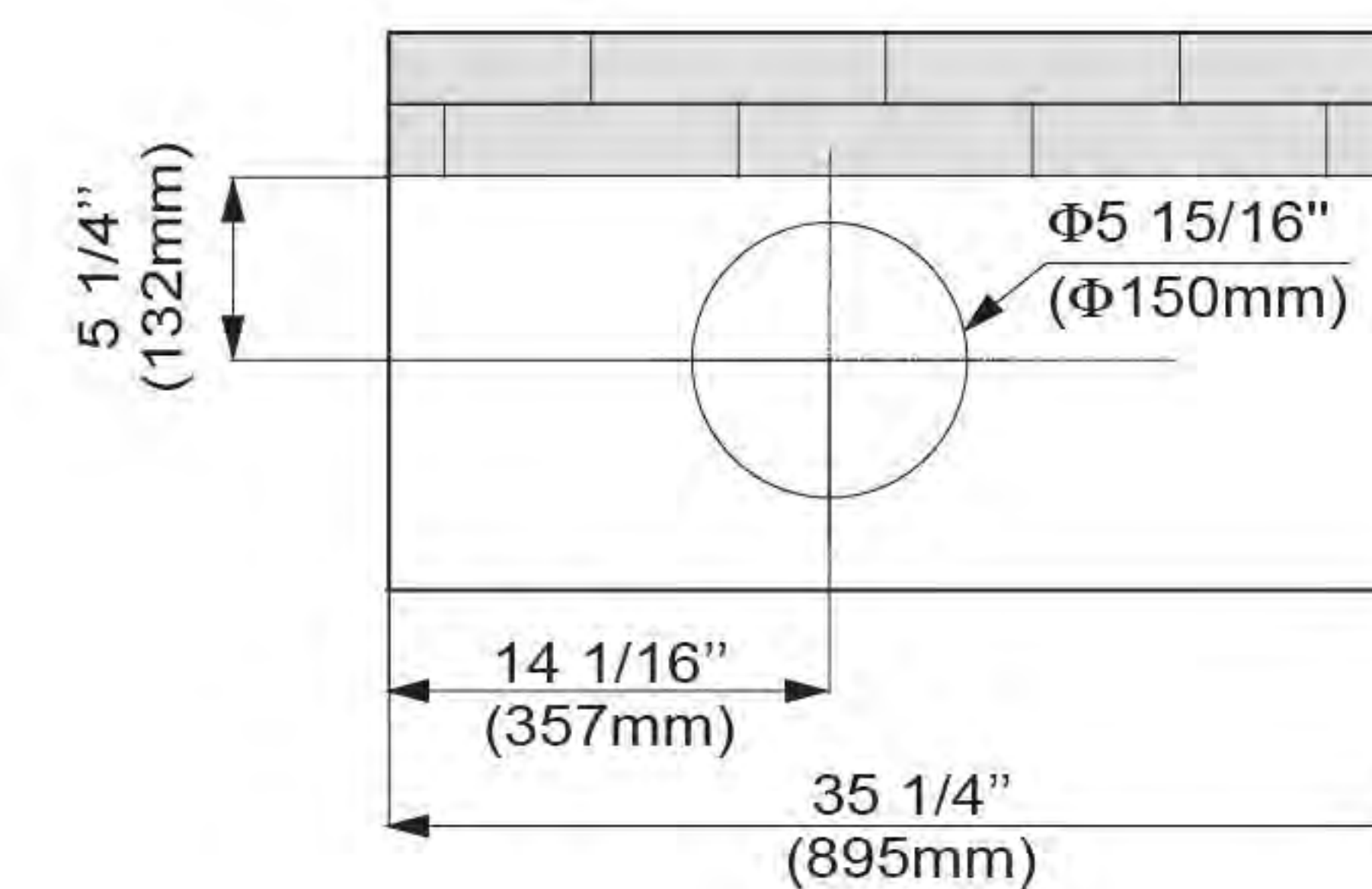


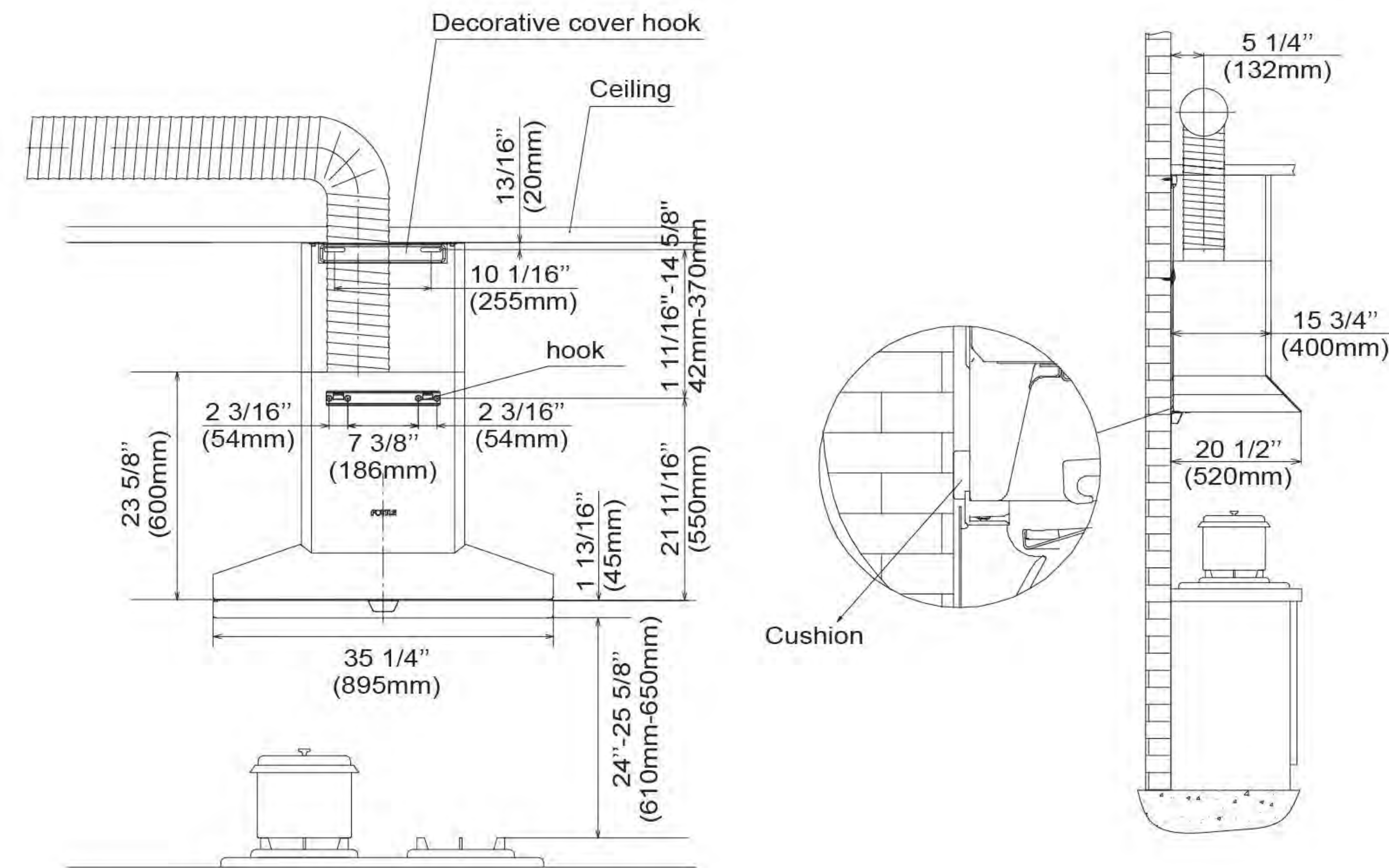
Product Basic Conditions

Installation Suggestions

■ **Installation Diagram of Hoods**

Opening size of the top cupboard or ceiling:





Product installation and cabinet collocation figure diagram
(★ is the distance from the wall)



The height for installing the range hood (i.e. the distance between the bearing surface of cooking appliance on the stove and the lowest part of the range hood) must not be less than 24" (610mm). This should be considered when the installation instructions for gas stove specify a large installation distance. In order to ensure the effect of oil fume suction, please install the range hood within the recommended height for installation. If the actual height for installation exceeds the recommended height, the product's oil fume suction effect may be affected to a certain extent. If relevant local laws specify the height for installation of range hood, it is recommended to comply with the laws accordingly.

■ Preparation before installation

1. Warning: Please don't make sundries into exhaust pipe to avoid damaging the range hood. Estimate the exhaust pipe position. A straight and short exhaust pipe makes smoke extraction more smooth, please refer to installation diagram. The joint between exhaust pipe and wall hole should be sealed with tape, and ensure firm connection between exhaust pipe and exhaust cover. Too small wall hole will affect smoke extraction, therefore, please broaden the wall hole to fit exhaust pipe size under safety condition.
2. Tool preparation
Please prepare the following tools before range hood installation (include but not limited to the following tools).
 - (1) Impact electric drill (with drillbit of $\Phi 3/8"$ ($\Phi 8$ mm))
 - (2) Cross screwdriver
 - (3) Measuring taper
 - (4) Gradienter

Installation Steps

1. Reserve $\Phi 3/8"$ ($\Phi 8$ mm) drill bit for the impact electric drill.
2. Lift the whole machine out of the packing box, unscrew the four screws used for fixing the fan cover on the back of the range hood, and remove the fan cover and decorative cover.
3. Refer to installation diagram, set the right position on the wall to drill and then firmly imbed the expansion pipe. Insert $\#10 \times 2 9/16"$ (ST5 $\times 65$ mm) wooden screws to tighten the fixed pothook and decorative cover pothook; then use two $\#4 \times 3/4"$ (ST2.9 $\times 19$ mm) Screws to fix the decorative cover on the suspended ceiling (see Fig 1 and Fig 2).
4. Refer to Fig 3, use eight $\#8 \times 1/2"$ (M4 $\times 12$ mm) Duct Cover Screws to fix the exhaust cover and upper seal mat on the top of complete appliance.
5. Fix the exhaust pipe on the exhaust cover and seal with aluminum foil tape. check the pipe shell is not bulging and not shriveled, curve freely. The exhaust pipe and wall should be tightly connected to prevent smoke back, the backflow barrier blade should be up and down smoothly.
6. Hang the hood firmly: face squarely-not slanting, side-looking-the hood will tightly stick the wall and a little lacune.

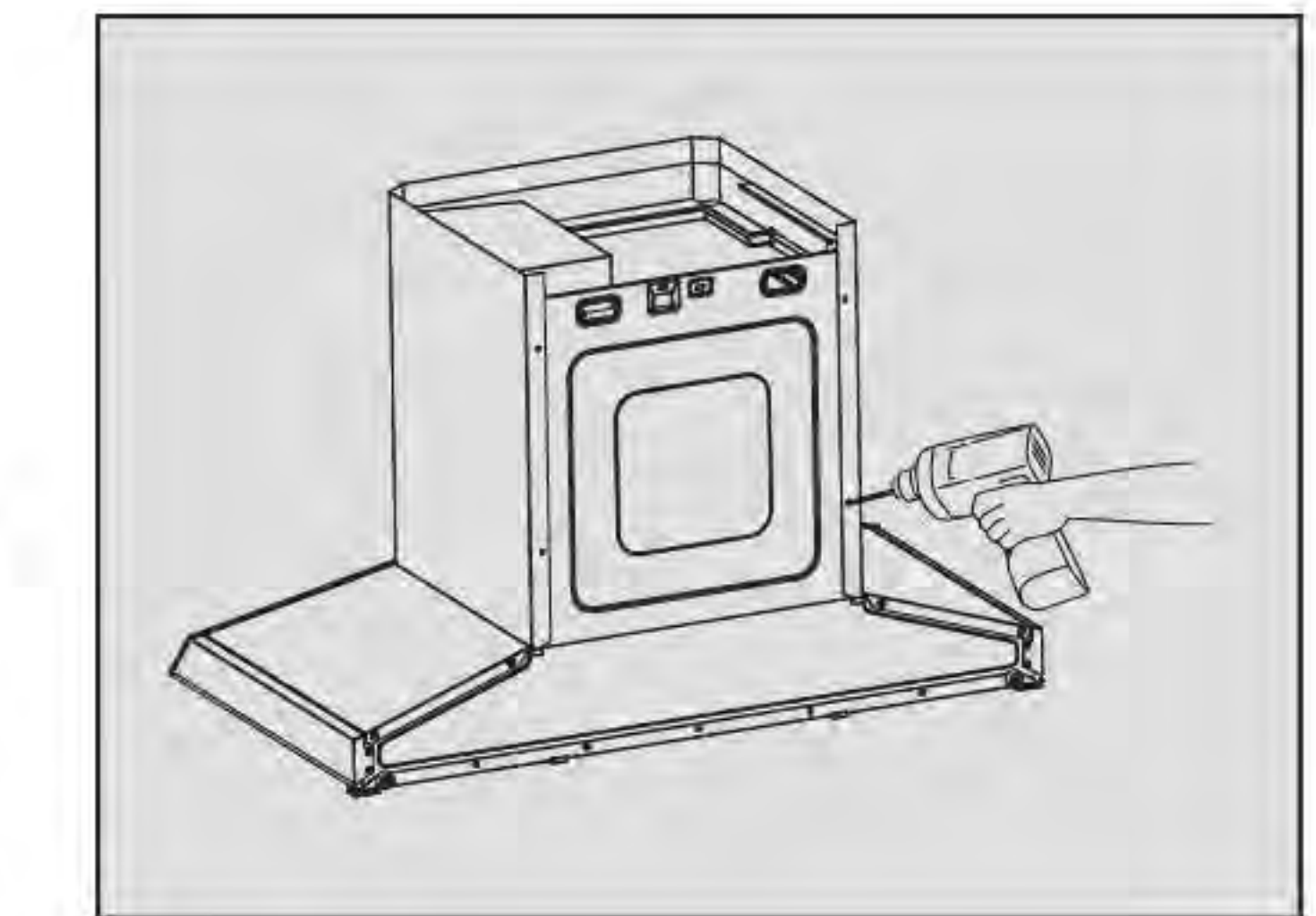


Figure 1

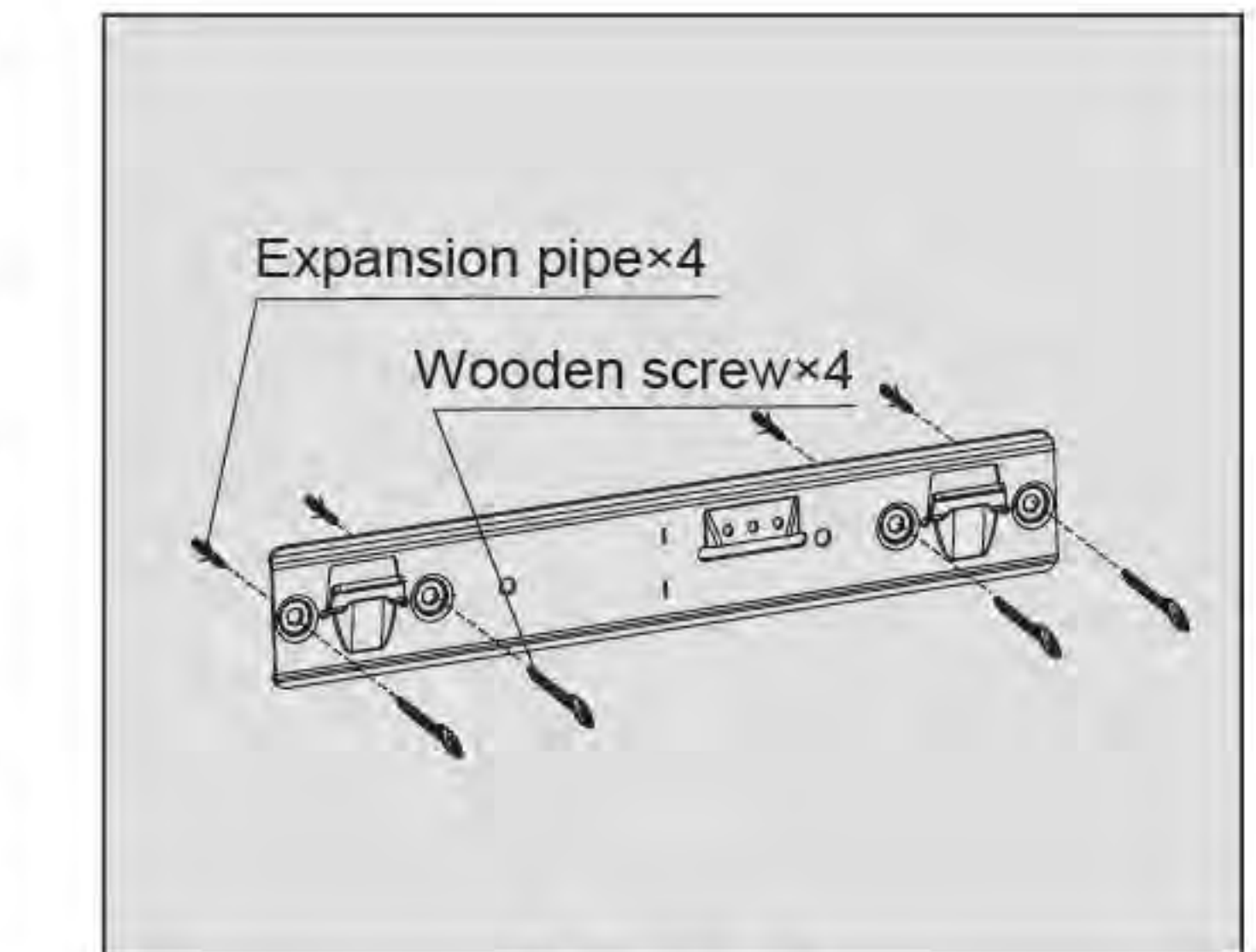


Figure 2

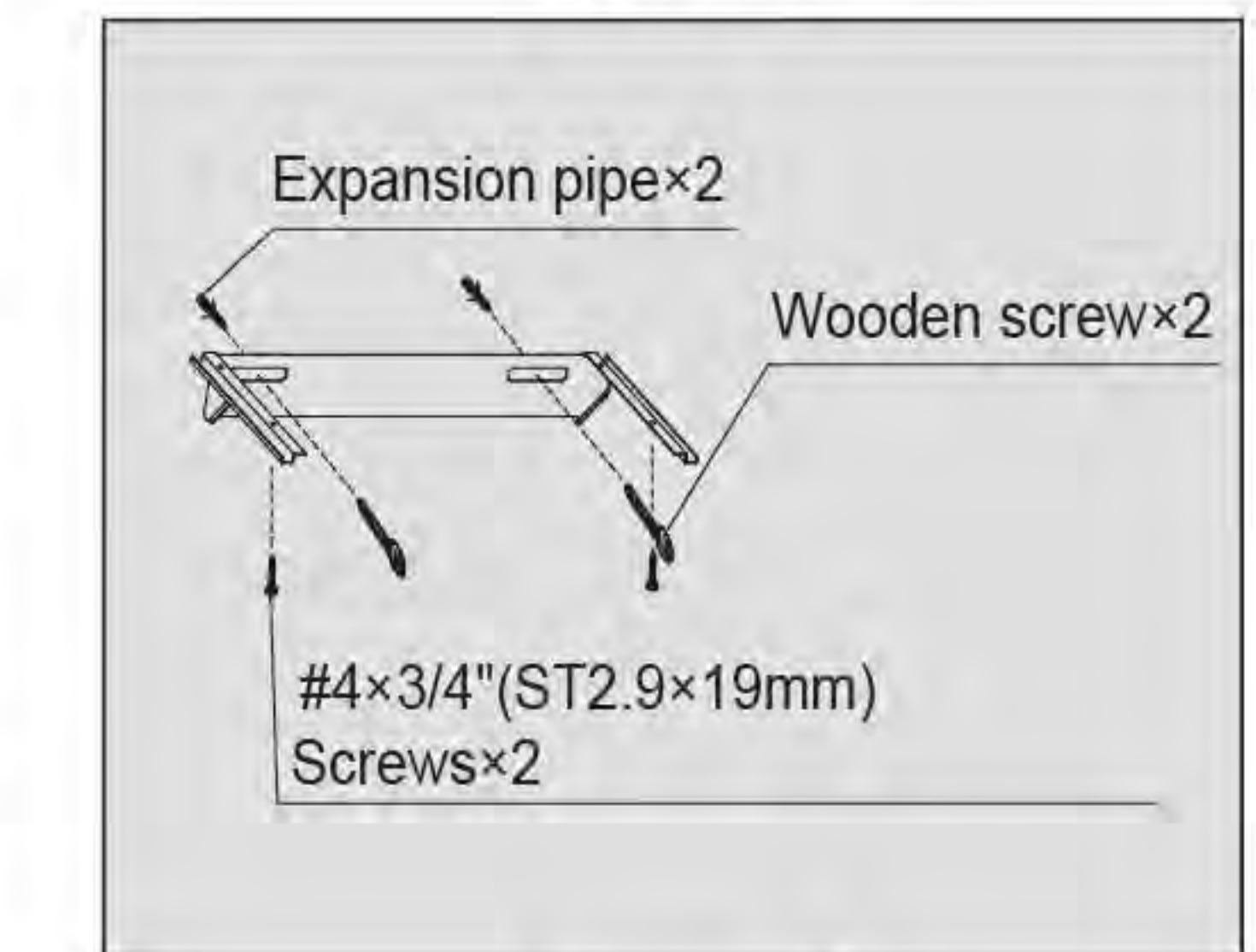
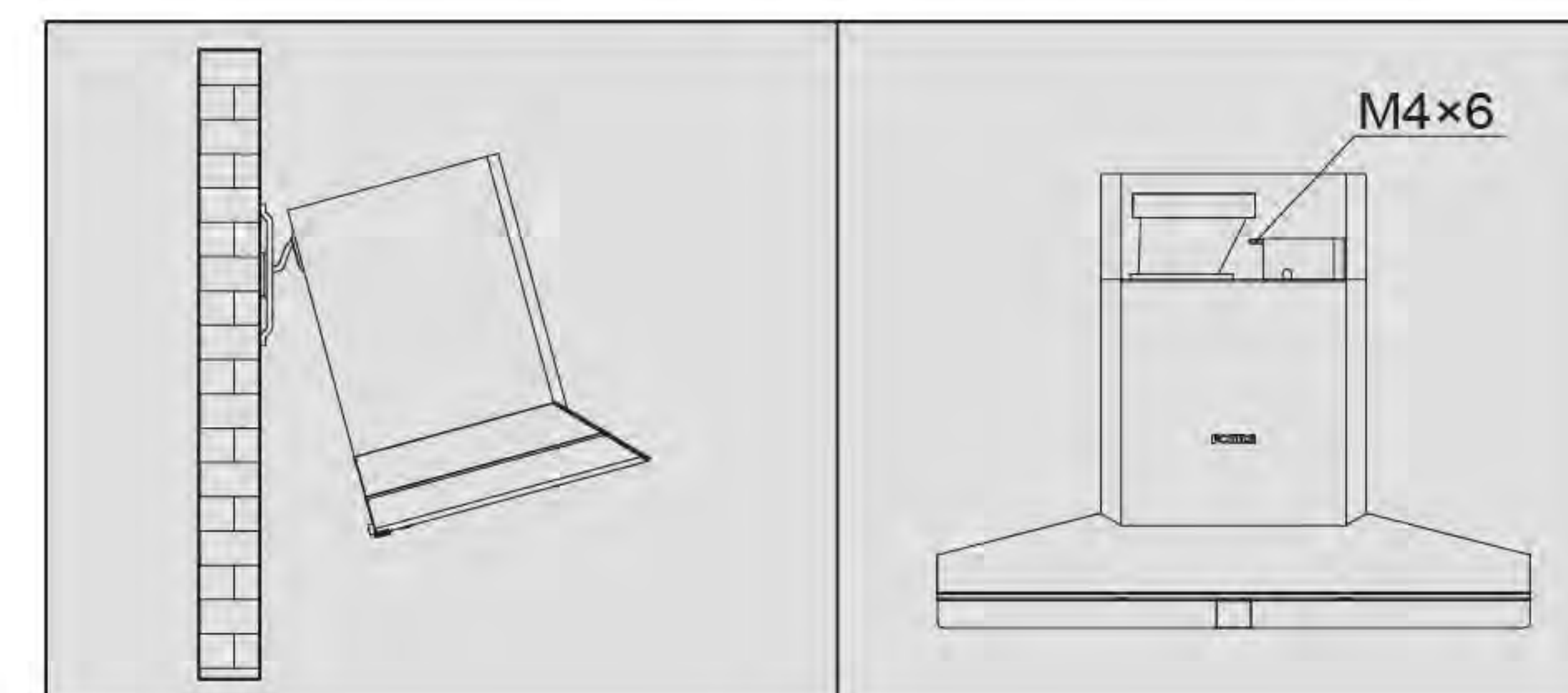


Figure 3



7. Insert the host power plug into the power outlet.
8. Blower outer cover and decorative cover installation (see Fig 4)
 - (1) Tear off the film: Tear off the protective film of the fan cover and the decorative cover and fix the 2 $\#8 \times 3/8"$ (M4 $\times 8$ mm) screws previously removed to the top 2 screw holes of the fan cover, do not screw too tightly, and keep a 1/8"(3mm) gap (please wear protective gloves).
 - (2) Put the decorative cover inside of the blower outer cover.
 - (3) Take up the blower outer cover and decorative cover meantime; inject the decorative cover into decorative cover pothook, then push the decorative cover and blower outer cover along the decorative cover pothook assembly to the end.
 - (4) After pushing the decorative cover and blower outer cover to the end, the blower outer cover will slip down slowly, and inject the blower outer cover buckle to the blower rack, then insert the blower outer cover to the gap which is between top panel and blower rack.

9. Install the wing plate and the oil cup:

- (1) Hold the bottom ends of the oil cup with both hands, and load the oil cup onto the cup hook at the bottom of the hood.
- (2) Press the Unpick and Wash Mode button to lower the wing plate hanger to the lowest position, hold the front side of the wing plate with both hands, hang the left and right hooks on the back side of the wing plate into the wing plate hanger, and then flip it upward to snap the wing plate clips into the wing plate hanger.

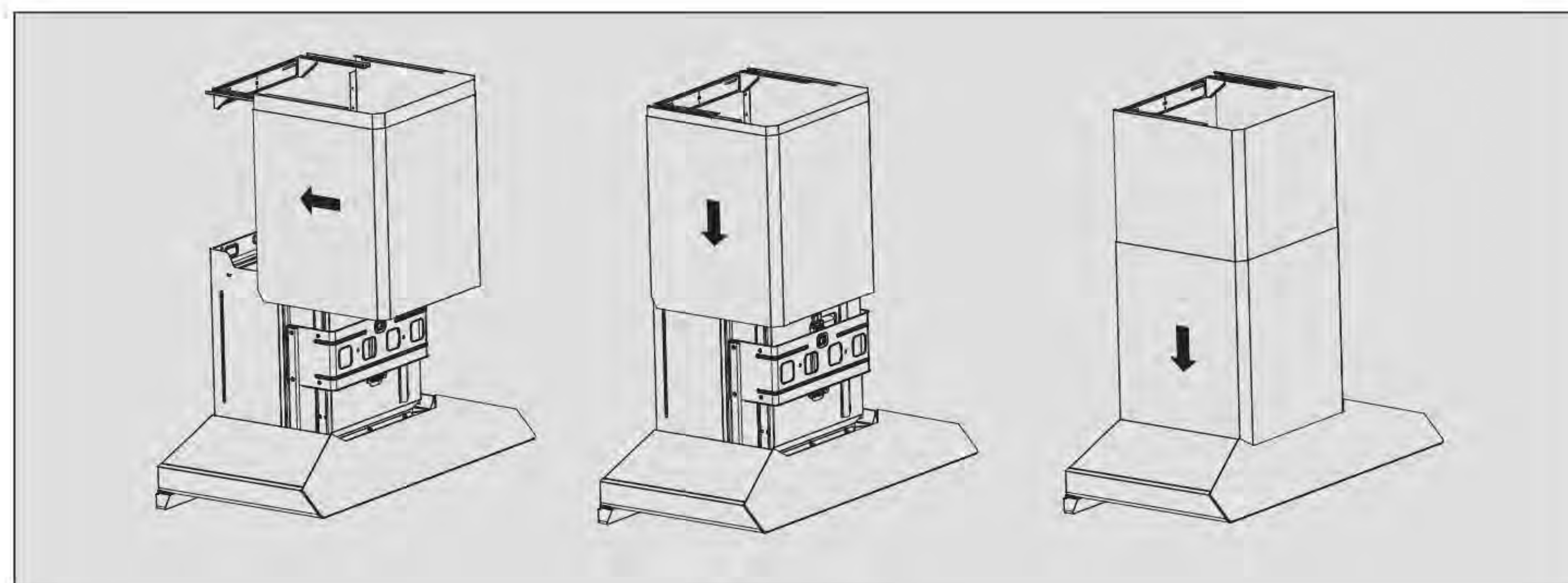
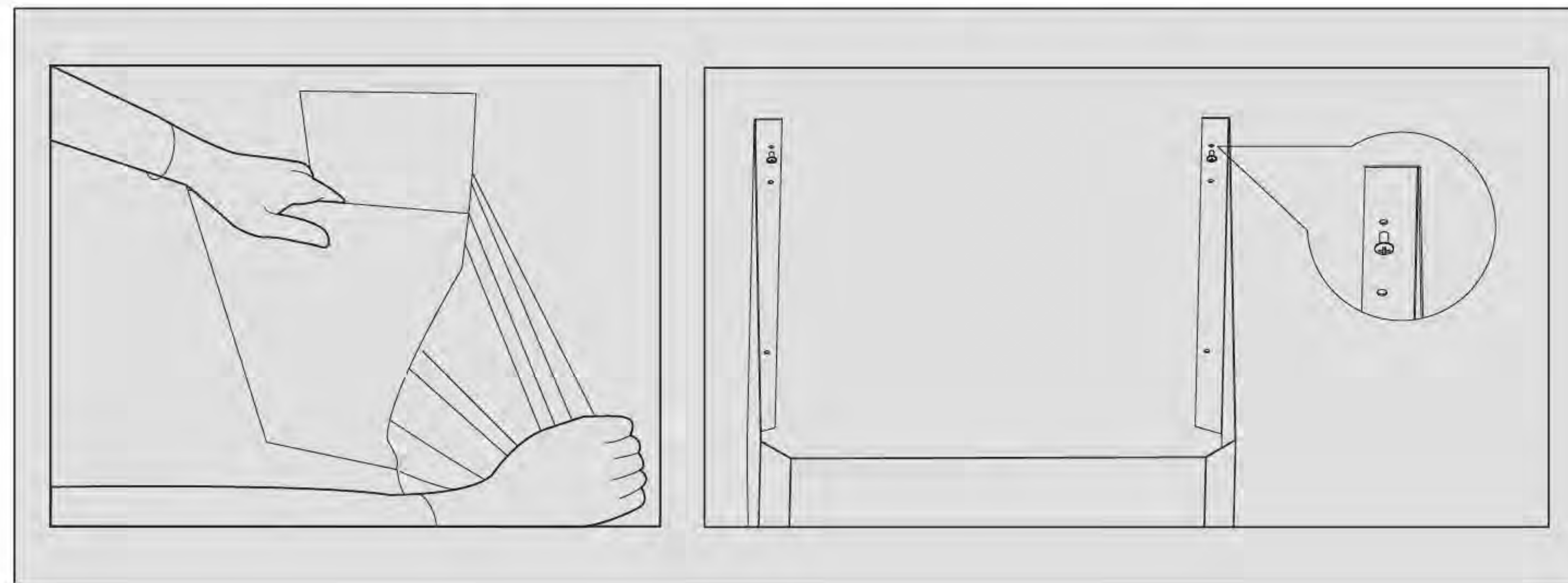


Figure 4

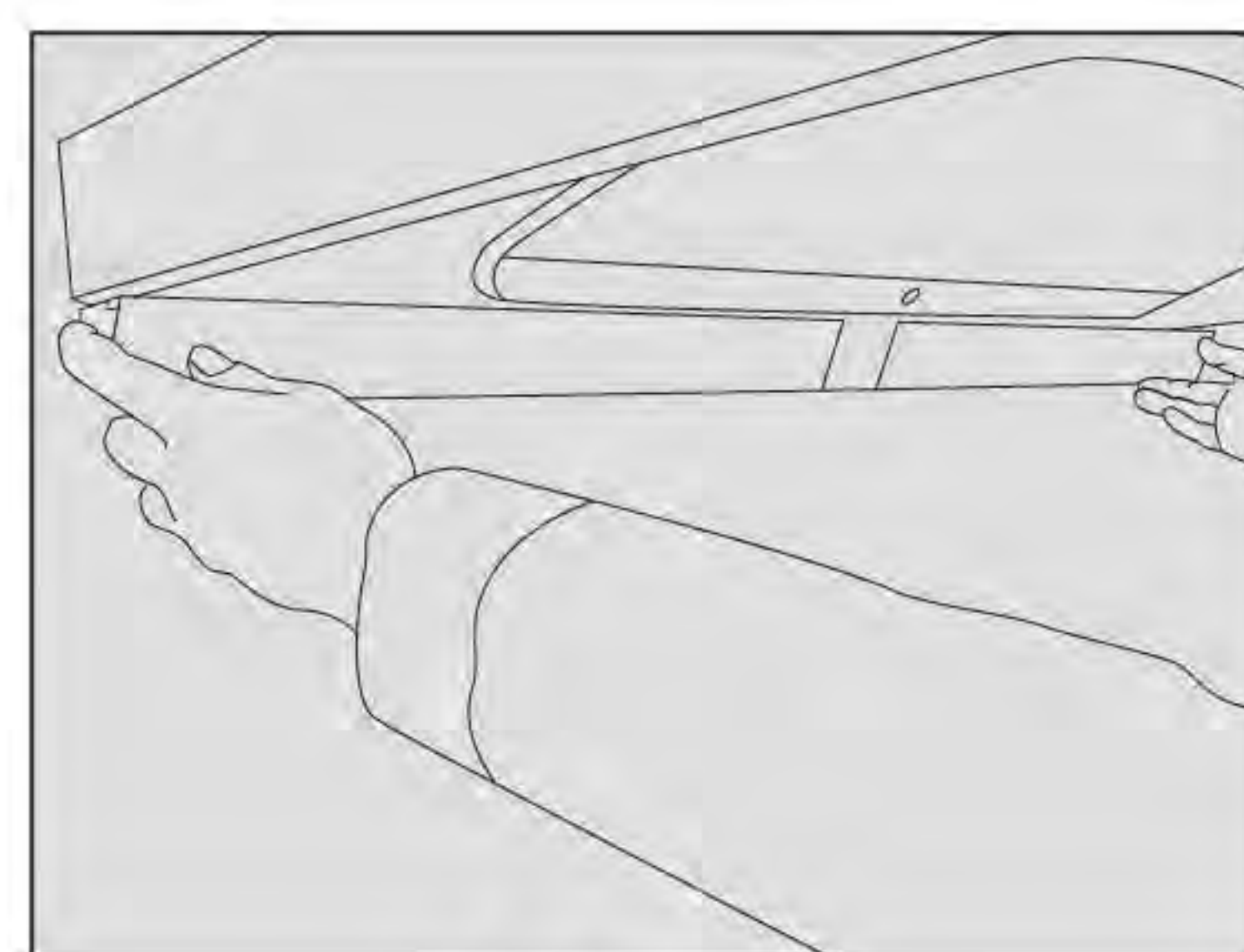


Figure 5

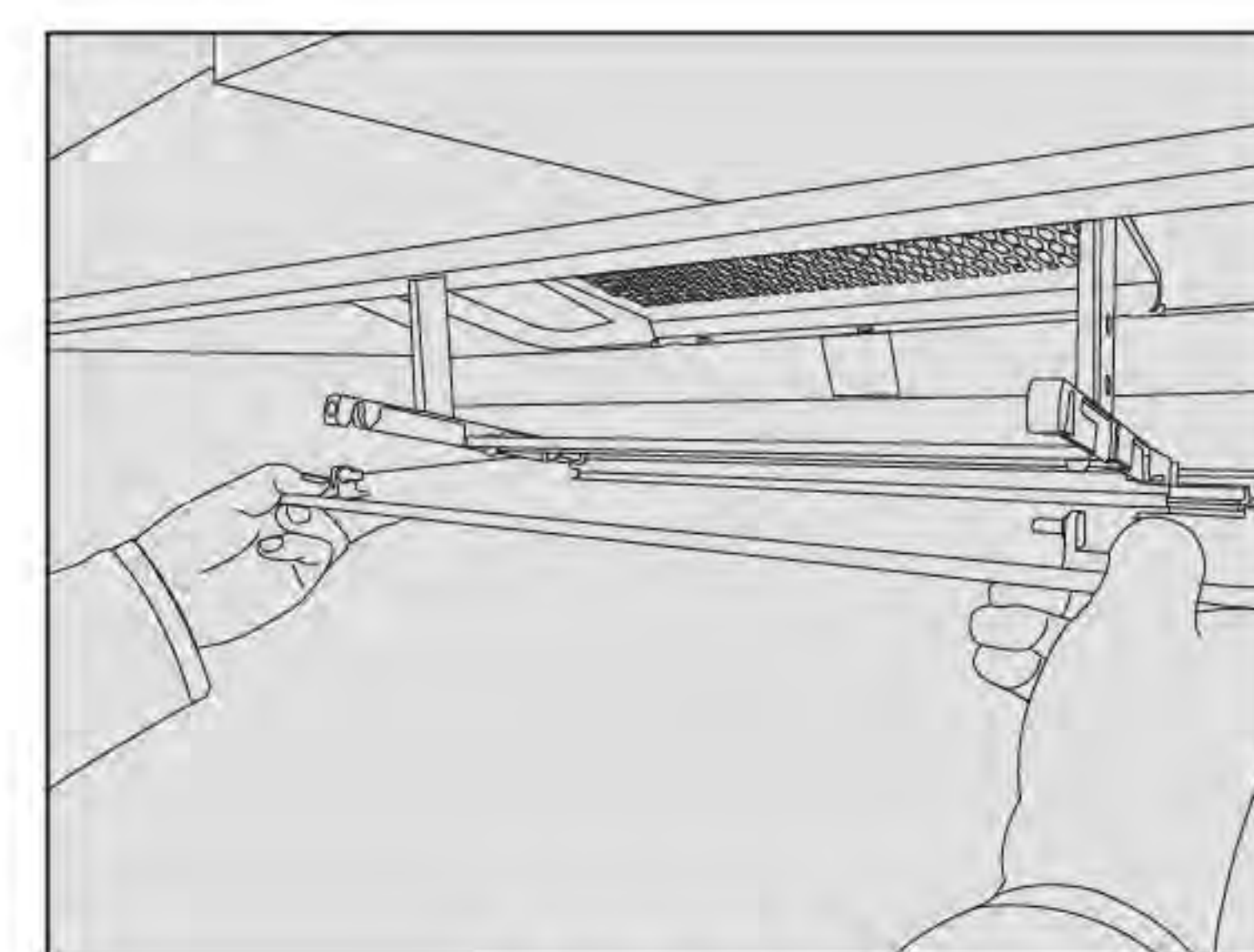
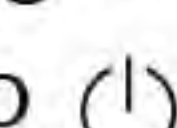
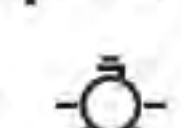





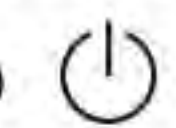
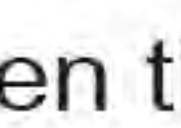

Figure 6

Debugging

1. Install the oil cup;
2. Plug the range hood's power plug into a power outlet;
3. Tap , and then tap  to check whether the lighting works well;

4. Tap  or  or  to check whether the motor rotates normally, whether the pterygoid plate is raised and lowered normally, if the following abnormal conditions occur, you must cut off the power immediately, make it stop running, and check whether it is installed properly (if it is determined that the range hood fails to work well, please call the Fotile service hotline)

- (1) The range hood vibrates violently
- (2) The expansion tube is loose
- (3) The impeller does not rotate
- (4) Obvious friction sound when the impeller rotates
- (5) The motor has an abnormal sound

5. Tap  then the icon  flashes, it will enter the delay state and automatically turn off after 5 minutes, if you tap the  again, it will turn off directly.

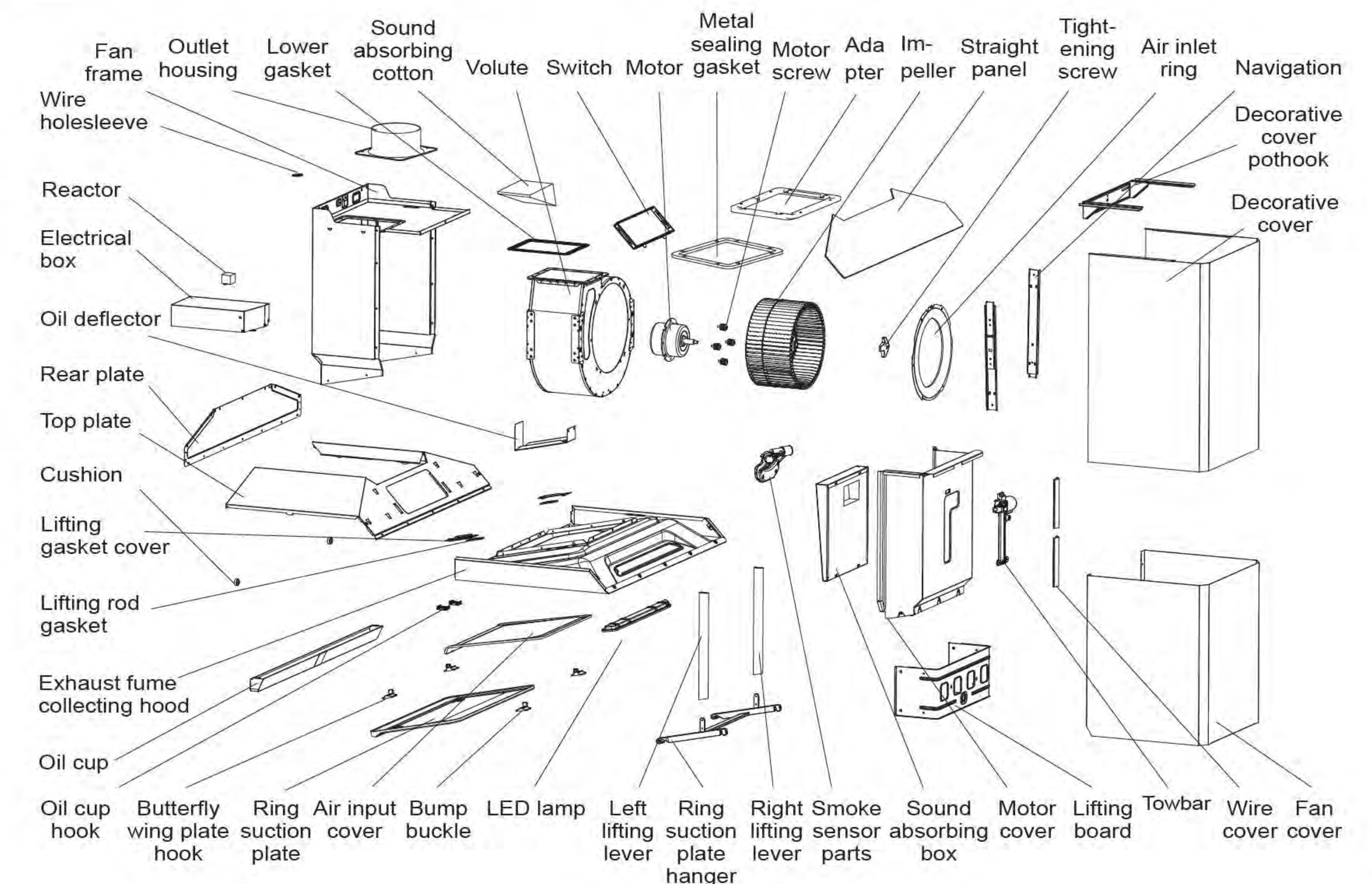
- (1) If the power supply wire is damaged, in consideration of the safety, must have the manufacturer, the repair department or similarly qualified personnel to replace.
- (2) When the range hood, gas stove or other fuel stove used at the same time, the room must be well ventilated.

Correct Disposal of this product



This marking indicates that this product should not be disposed with other household wastes. To prevent possible harm to the environment or human health from uncontrolled waste disposal, recycle it responsibly to promote the sustainable reuse of material resources. To return your used device, please use the return and collection systems or contact the retailer where the product was purchased. They can take this product for environmental safe recycling.

Component Name Diagram



FOTILE

Campana extractora

Manual de instalación | EMG9050

Si necesita algo, póngase en contacto con un centro de servicio autorizado Fotile. Algunas de las imágenes de este manual son meramente ilustrativas, si las imágenes no coinciden con el producto real, prevalecerá el producto real.

Lea atentamente este manual del producto antes de iniciar la instalación y el uso.
Conserve este manual del producto para uso futuro o para usuarios posteriores.

Estimado cliente: Gracias por adquirir productos de Fotile. Le rogamos que lea detenidamente este Manual de Instalación (en lo sucesivo, el manual) antes de su uso, ya que este manual le ayudará a familiarizarse con la información de seguridad, funcionamiento y mantenimiento de la campana y le permitirá disfrutar del nuevo placer de cocinar.

Lea atentamente el manual de instrucciones antes de utilizar el producto y sígalo. Las instrucciones de uso de este manual son importantes para mantener el producto en buen estado de funcionamiento. Si el producto falla debido a un uso inadecuado, perderá su derecho a garantía gratuita y cualquier reclamación de garantía gratuita directa o indirecta no será aceptada por nuestros centros de servicio autorizados en ningún lugar del mundo. También le recomendamos que se ponga en contacto con su centro de servicio autorizado local si necesita reparaciones durante y después del periodo de garantía de calidad, ya que esto es muy importante para usted y para nosotros.

Nuestros centros de servicio autorizados le proporcionarán piezas de repuesto profesionales y asistencia técnica de Fotile, para que su producto tenga la garantía de ser reparado rápidamente y con la mayor facilidad y cuidado.

Si necesita servicio técnico, deberá facilitarnos el modelo y el número de serie de su producto.

FOTILE Sàrl (États-Unis)

- * Adresse: Suite 210, 6 Allée Campus, Suite 210, Parsippany, NJ 07054
- * Numéro vert: 888-315-0366
- * Site web: us.fotileglobal.com
- * Email: serviceusa@fotile.com



FOTILE YouTube



Service WeChat aux E.-U.

FOTILE Magasin phare à Toronto

- * Adresse: 8365 Woodbine Ave, Markham, L3R2P4
- * Numéro vert: 844-315-0315
- * Site web: ca.fotileglobal.com
- * Email: service@fotileca.com



Compte officiel Wechat Canada



Service WeChat aux E.-U.

Contenido

Advertencias e instrucciones de seguridad	2
Modo de uso	8
Principales parámetros técnicos	8
Instrucciones de uso	8
Limpieza y mantenimiento	11
Identificación y tratamiento de averías comunes	12
Instalación	14
Lista de embalaje	14
Advertencia de instalación	15
Planos dimensionales del producto	18
Consejos de instalación	19
Pasos de la instalación	20
Puesta en servicio después de la instalación	22
Diagrama de estructura	23

Las características y parámetros del producto están sujetos a cambios en cualquier momento sin previo aviso y pueden diferir ligeramente de este manual. Visite el sitio web de Fotile para obtener la información más reciente.

Advertencias e instrucciones de seguridad

Para garantizar el uso seguro y eficiente del producto de FOTILE, por favor lea las siguientes informaciones relevantes que figuran en el manual de instrucciones del producto:

- * **Advertencia:** se refiere a los peligros que pueden provocar lesiones graves o muertes en caso de incumplimiento de las medidas preventivas.
- * **Atención:** significa que puede provocar lesiones leves a las personas o daños al producto en caso de incumplimiento de las instrucciones del manual.
- * **Importante:** se destaca las informaciones muy importantes.

Instrucciones de seguridad

Por favor lea estas instrucciones de seguridad antes de usar el producto.

Conserve adecuadamente estas informaciones de instrucciones de seguridad.

Se permite únicamente el uso doméstico de este producto en espacios interiores.

Para evitar cualquier riesgo de accidente y daño a la campana extractora, por favor lea detenidamente el manual de instrucciones de este producto antes de su instalación y uso. Solamente de esta manera Ud. pueda efectuar segura y correctamente las operaciones de este producto, reducir los riesgos de incendio, choque eléctrico o lesiones a las personas. Conserve adecuadamente el manual de instrucciones de este producto, para su uso en el futuro o para el uso por otros usuarios.

Advertencia

● Peligro de choque eléctrico

Un producto defectuoso puede provocar el choque eléctrico, se prohíbe expresamente encender un producto defectuoso. En caso de detectar cualquier problema, desenchufe este producto o desconecte la fuente de alimentación principal, y comuníquese con el centro de servicio autorizado por FOTILE.

■ Para este producto se debe usar toma de corriente de uso especial, y la toma de corriente debe estar puesta a tierra confiablemente, ya que la conexión con empalme intermedia del cable de alimentación, el uso del cable de extensión y del repartidor de múltiples puertos, puede provocar choque eléctrico, calentamiento del enchufe y de la toma de corriente, e incluso incendio. Asegúrese que las operaciones sean realizadas por electricista profesional y cumpliendo

con la normativa de la electricidad nacional y local del país donde está este producto, antes de realizar la conexión del cable, apague primero la fuente de alimentación y tome medidas razonables para prevenir el encendido automático del interruptor de potencia.

- Se prohíbe usar corriente alterna superior a 125V para evitar cualquier peligro.
- Se prohíbe instalar este producto en el baño o en cualquier sitio con mucha humedad, ya que la instalación del producto en estos lugares puede provocar choque eléctrico.
- Si el cable de alimentación se encuentra dañado, comuníquese con el proveedor de servicio autorizado o el técnico debidamente calificado para cambiar el cable.
- Por favor no modique, estire, anude el cable de alimentación, ponga objeto pesado sobre el cable ni apriete el cable, en caso contrario puede dañar el cable de alimentación provocando en consecuencia choque eléctrico e incendio.
- Se prohíbe estrictamente mojar el motor, el interruptor, los conectores macho y hembra, y queda prohibido enjuagar la campana extractora con agua. Si esté mojada la campana extractora, no la use ya que al usarla puede provocar fuga eléctrica o choque eléctrico.
- Se prohíbe modificar arbitrariamente el cableado interno del producto, en caso contrario puede surgir comportamientos anormales provocando lesiones a las personas. Los trabajos de reparación indebidos pueden provocar choque eléctrico o incendio, entre otros peligros.
- Antes de limpiar el producto, prestar servicios de instalación o de mantenimiento, primero se debe desconectar la fuente de alimentación para evitar choque eléctrico.
- No utilice cualquier tipo de detergente o vapor de alta presión que pueda provocar choque eléctrico.
- No toquen el enchufe, los componentes de artefactos, el interruptor de potencia con las manos mojadas, en caso contrario puede provocar choque eléctrico.

● Instrucciones de puesta a tierra.

- Este producto debe estar puesta a tierra. En caso de cortocircuito, la puesta a tierra puede reducir el peligro de choque eléctrico. Este producto está equipado con cable de alimentación del enchufe puesto a tierra. El enchufe debe estar enchufado en la toma de corriente instalada y puesta a tierra en forma razonable.
- Una puesta a tierra irrazonable provocará peligro de choque eléctrico.
- En caso de no poder comprender totalmente las instrucciones de puesta a tierra o tenga dudas sobre la puesta a tierra razonable del producto, por favor comuníquese con el electricista debidamente calificado.
- No use cable de extensión. En caso de que el cable de alimentación es excesivamente corto, designe un electricista debidamente calificado para instalar la toma de corriente cerca del producto.

● Peligro de incendio.

- Para reducir el peligro de incendio y permitir la extracción de gas razonable, priorice la extracción de gas hacia afuera. No evacue el gas residual a la pared, al techo, a la buhardilla, al espacio reducido ni a la cochera.
- En caso de no limpiar el producto de acuerdo con las indicaciones establecidas en este manual de instrucciones, puede generar peligro de incendio de la campana extractora.
- El aceite y la grasa calientes pueden encenderse rápidamente, por eso se prohíbe expresamente dejar el aceite o la grasa calientes sin custodia.

- Los depósitos de grasa que contienen en el filtro de grasa pueden incendiarse, realice periódicamente la limpieza del filtro de grasa.
- No realice las operaciones de este producto cuando no esté puesto el filtro de grasa.
- Los depósitos de grasa que contienen en el filtro de grasa pueden incendiarse, se prohíbe expresamente el uso de fuego cerca de este producto. No instale este producto cerca de aquellos equipos de calentamiento que utilicen combustibles sólidos (por ejemplo madera o carbón). Se prohíbe la existencia de chispa.
- Evite el uso de aquellos alimentos que generen llama debajo de la campana extractora.
- Con la finalidad de reducir el riesgo de incendio provocado por aceite en los alrededores de los quemadores:
 1. Se prohíbe expresamente el funcionamiento a velocidad alta de los artefactos que están colocados en los alrededores de los quemadores sin custodia. El desborde puede provocar humo y el desbordamiento de grasa puede provocar incendio, se debe calentar lentamente la grasa a velocidad baja o velocidad mediana.
 2. Mantenga siempre la campana extractora en el estado encendido cuando está cocinando.
 3. La grasa producida durante la cocción puede estar distribuida en el ambiente, por ejemplo el piso, el armario, la superficie de la campana extractora y el conducto de extracción de humos, etc., limpie periódicamente la grasa para reducir el riesgo de incendio.
 4. Utilice utensilio de cocina de dimensión adecuada. Utilice siempre aquellos utensilios de cocina cuya dimensión se concuerda con el quemador.
- Dado que el peligro de incendio por aceite de la cocina de gas puede provocar lesiones a las personas, para reducir este tipo de peligro, siga las siguientes instrucciones:
 1. Apague la llama con la tapa de la olla, la bandeja para hornear o la bandeja metálica de dimensión adecuada, luego apague el quemador. Tenga cuidado para prevenir lesión por quemadura. En caso de no poder apagar inmediatamente la llama, realice la evacuación y accione el alarma contra incendios.
 2. Cuando el sartén está encendido, apague inmediatamente la campana extractora (el funcionamiento de la campana extractora hace que la llama arda más). Tome inmediatamente medidas eficientes de extinción de fuego, por ejemplo tapar el fuego con tapa metálica, cerrar la válvula general de gas, mantener los combustibles lejos del fuego, etc.
 3. Se prohíbe expresamente retirar el utensilio de cocina encendido, ya que le puede provocar lesión por quemadura.
 4. No apague el fuego con agua, incluye el trapo o la toalla mojada, ya que al hacerlo puede provocar la erupción brusca y fuerte del vapor.
- Únicamente se permite usar extintor bajo las siguientes condiciones:
 1. Cuando Ud. ha tenido curso de enseñanza básico de extintores y conoce cómo usar correctamente el extintor;
 2. Cuando el fuego es relativamente débil y está controlado en la fuente de fuego;
 3. Cuando Ud. ha llamado a los bomberos;
 4. Cuando su espalda está contra la salida, puede luchar contra el incendio.
- Peligro de lesiones a las personas
 - Este producto no es apto para las personas con discapacidad física, sensorial o mental o las personas que carecen de experiencias o conocimientos (incluso los niños), salvo que estén bajo la supervisión del responsable de su seguridad o bajo las instrucciones de

cómo usar este producto en forma segura. Los niños deben estar bajo la custodia de los adultos, debe asegurar que los niños no jueguen con el producto.

- Es posible que la campana extractora tenga borde filoso, para su instalación, limpieza o reparación, tenga cuidado para prevenir lesiones por rasguño y raspón causadas por la lámina metálica filosa instalada en la campana extractora. Debe ponerse los guantes de protección de calidad aceptable.
 - Durante las operaciones, las partes susceptibles al contacto pueden estar muy calientes. Se prohíbe expresamente tocar las partes calientes. Mantenga a los niños a una distancia segura de este producto.
 - No toque las luces ya encendidas o las luces recientemente apagadas, ya que ellas pueden provocar lesiones por quemadura.
 - Durante el funcionamiento de la paleta de la campana extractora, se prohíbe meter el dedo u otros objetos para evitar causar lesiones.
 - No se debe usar este producto junto con el temporizador externo o el control remoto.
 - Los trabajos de mantenimiento incorrectos son muy peligrosos. Únicamente se permite a los técnicos de servicio de post-venta debidamente calificados a realizar los trabajos de mantenimiento.
 - Cuando surge algún fenómeno anormal, apague la fuente de alimentación del producto, desenchufe el enchufe o desconecte la fuente de alimentación principal, comuníquese inmediatamente con el centro de servicio autorizado por FOTILE. Al poner el producto en funcionamiento continuo bajo estado anormal, puede provocar peligros de choque eléctrico o incendio.
 - Al usar este producto Ud. puede estar expuesto a las sustancias químicas, el Estado de California conoce que dicha sustancia química es cancerígena, puede causar defectos congénitos u otros tóxicos para la reproducción. Para obtener más informaciones, acceda al sitio web: www.P65Warnings.ca.gov
 - Peligro de asfixia:
 - Los materiales de envase causan peligros para los niños. Se prohíbe expresamente que los niños jueguen con los materiales de envase, ya que ellos pueden provocar accidentes de asfixia, por eso, mantenga los materiales de envase lejos de los niños, los materiales de envase no son juguetes.
 - Peligro de muerte:
 - El flujo retrógrado por el conducto de humos genera peligro de intoxicación. Cuando este producto está funcionando bajo el modo de extracción de gas, y el equipo de calentamiento que depende del aire interior también está funcionando simultáneamente, asegúrese siempre la existencia de suficiente aire en la habitación para garantizar la combustión y la extracción de gas de manera suficiente. Realice la extracción de gas residual a través del conducto de humos (la chimenea), para prevenir el flujo retrógrado de gas residual.
- El fabricante no se hace responsable por los daños causados por uso indebido u operaciones erróneas.

Atención

- Si la normativa local vigente contiene exigencias de instalación y de certificación más rigurosas en comparación con los requisitos establecidos en el presente documento, se prevalecerá la

primera, y el personal de instalación acepta el cumplimiento de dichas exigencias.

- La temperatura en el ambiente de uso de la campana extractora no puede superar a 104°F (40°C).
- No coloque ningún objeto sobre este producto, ya que los objetos colocados sobre él pueden caerse o volcarse. Por ejemplo, si se coloca el salero y el pimentero en la parte superior de la campana extractora, al volcarse puede provocar la entrada de líquido en el interior del producto, causando daños a las partes vivas, generando así riesgos innecesarios. En caso de provocar daños al producto por este motivo, nuestra empresa no asumirá ninguna responsabilidad de garantía.
- Limpie oportunamente el aceite residual que contiene en la aceitera para prevenir su desbordamiento. ¡No consuma el aceite residual colectado en la aceitera! No coloque los combustibles en la aceitera, tales como la envoltura plástica, el papel de cocina, etc.
- Para perforar o taladrar agujeros en la pared o en el techo, tenga cuidado de no dañar el cable, la tubería de agua, la tubería de gas, entre otros equipos ocultos.
- Siga las guías-normas de seguridad del fabricante de los equipos de calentamiento, por ejemplo las guías-normas de seguridad establecidas por la Asociación Nacional de Protección contra el Fuego (NFPA), la Sociedad Americana de Ingenieros en Calefacción, refrigeración y Aire Acondicionado (ASHRAE) y aquellas promulgadas por las autoridades competentes fijadas por la normativa local. Asimismo, también se debe cumplir con las normas de seguridad promulgadas por el departamento de protección contra incendios, entre otros departamentos de administración. Cuando la cocina de gas está funcionando sin utensilio de cocina, puede generar gran cantidad de calor, la campana extractora instalada sobre ella puede estar dañada o encendida, únicamente se puede usar la cocina de gas cuando el utensilio de cocina está colocado sobre ella.
- Para evitar cualquier daño posible al producto, asegúrese que el voltaje y la frecuencia reales se coincidan con los parámetros indicados en este manual de instrucciones.
- Asegúrese el uso de los repuestos estándares proporcionados por nuestra empresa, para evitar así la caída eventual de la campana extractora; Los agujeros taladrados en la pared deben tener la precisión exigida que concuerda con la dimensión de los pernos de expansión, en caso contrario la campana extractora puede estar floja e incluso se caiga por accidente.
- Los productos de nuestra empresa utilizan vidrio templado, gracias al mecanismo de templado del vidrio, este tipo de vidrio tiene una pequeñísima probabilidad de explotarse. En caso de ocurrir la explosión por otras razones distintas al uso indebido, nuestra empresa se compromete a cambiar dicho repuesto a título gratuito. Se aumenta notoriamente la probabilidad de rotura del vidrio templado cuando se presenten las siguientes circunstancias, evite la ocurrencia de dichas circunstancias: por ejemplo golpear el vidrio con utensilio de cocina u otros objetos duros, especialmente cuando golpee las cuatro esquinas del vidrio; Choca contra el vidrio cuando abre la puerta del armario instalado en los alrededores de la campana extractora; El vidrio se encuentra en un ambiente con temperatura excesivamente baja, excesivamente alta, o en un ambiente donde se alternan bruscamente el frío y el calor, etc.
- Al modificar arbitrariamente este producto puede generar riesgos no deseados.
- Este equipo ha sido sometido a pruebas y se ha comprobado que cumple con los límites establecidos para los dispositivos digitales de Clase B, de conformidad con la Parte 15 de las normas de la FCC. Estos límites están diseñados para proporcionar una protección razonable contra interferencias perjudiciales en una instalación residencial. Este equipo genera, utiliza y puede radiar energía de radiofrecuencia y, si no se instala y utiliza de acuerdo con las

instrucciones, puede causar interferencias perjudiciales en las comunicaciones por radio. No obstante, no se garantiza que no se produzcan interferencias en una instalación concreta. Si este equipo causa interferencias perjudiciales en la recepción de radio o televisión, lo que puede determinarse apagando y encendiendo el equipo, se recomienda al usuario que intente corregir las interferencias mediante una o varias de las siguientes medidas:

- Cambie la orientación o la ubicación de la antena receptora.
- Aumente la distancia entre el equipo y el receptor.
- Conecte el equipo a una toma de corriente de un circuito distinto al que está conectado el receptor.
- Consulte al distribuidor o a un técnico de radio/TV experimentado para obtener ayuda.
- Este dispositivo cumple las normas RSS exentas de licencia del Ministerio de Industria de Canadá.

Su funcionamiento está sujeto a las dos condiciones siguientes: (1) Este dispositivo no puede causar interferencias, y (2) Este dispositivo debe aceptar cualquier interferencia, incluidas las interferencias que puedan causar un funcionamiento no deseado del dispositivo.

Importante

- Este producto es únicamente apto para uso doméstico en espacios interiores, se prohíbe su uso al aire libre. Únicamente se permite usar este producto según lo exigido por el fabricante, si Ud. utiliza este producto al aire libre o en lugares especiales, FOTILE no asumirá ninguna responsabilidad por las consecuencias causadas por este motivo. En caso de que Ud. tenga cualquier duda, comuníquese con el centro de servicio autorizado por FOTILE.
- Antes de usar este nuevo producto, desempaque el envase para revisar si este producto está dañado, en caso de detectar daño evidente, no lo instale ni lo utilice, y le sugerimos a Ud. a comunicarse inmediatamente con el centro de servicio autorizado por FOTILE.
- Mantenga la campana extractora lejos del polvo de placa de yeso, polvo de construcción u otras sustancias similares.
- Utilice el producto únicamente según la forma establecida por este manual de instrucciones. No ponga este producto en funcionamiento sin custodia. En caso de tener alguna duda, comuníquese con el centro de servicio autorizado por FOTILE.
- Siendo el usuario, Ud. tiene la responsabilidad de limpieza, cuidado y uso correcto de la campana extractora de su casa.
- Limpie el filtro de grasa metálica de acuerdo con las condiciones reales.
- El motor de la campana extractora cuenta con función de sobrecarga térmica, mediante dicha función se apaga automáticamente el motor en caso de sobrecalentamiento del motor, y se inicia nuevamente el motor luego de haber logrado su enfriamiento, en caso de detectar el apagado o el reinicio continuo del motor, comuníquese con el centro de servicio autorizado por FOTILE.
- Si no utiliza la campana extractora por largo tiempo, desenchufe el enchufe.
- Realice correctamente la instalación y el mantenimiento de este producto. Este producto debe cumplir con todas las especificaciones y normas aplicables, que incluyen las especificaciones y normas de edificaciones de protección contra incendio, designar un técnico debidamente calificado para efectuar correctamente la instalación y la puesta a tierra. El personal de instalación se encarga de garantizar que este producto pueda operando normalmente en su posición instalada.
- Instale la válvula de retención de acuerdo con los requisitos establecidos por la normativa local.
- Únicamente es apto para la extracción de gas general. No utilice esta campana extractora para la extracción de sustancias y gases nocivos o explosivos.

- El producto propiamente dicho es no inflamable.
- Con la finalidad de reducir el peligro de incendio, todos los conductos de extracción de humos, conductos de humos y equipos deben ser no inflamables, utilice únicamente las tuberías metálicas. Se prohíbe expresamente cubrir la campana extractora con plástico o papel inflamable.
- Los servicios de garantía deben ser prestados por las instituciones o por el personal de servicios aceptado por FOTILE. En caso de desmontar el equipo para efectuar trabajos de mantenimiento sin autorización previa, este producto no gozará de servicios de garantía.
- Por favor lea la etiqueta de especificación que figura en la campana extractora, obteniendo así más informaciones y conocer las exigencias pertinentes.
- Si su casa es hermética, y tiene instalada la campana extractora de gran potencia, le sugerimos instalar el dispositivo de aire adicional. Según la disposición de la campana extractora de FOTILE, les sugerimos al usuario que vive en casa nueva muy hermética a instalar el dispositivo de aire adicional. En caso de ser exigido por las leyes vigentes del estado o de la región donde se sitúa, instale el dispositivo de aire adicional de acuerdo con lo establecido por las leyes vigentes.
- Únicamente se permite usar este producto en los Estados Unidos y Canadá.

Modo de uso

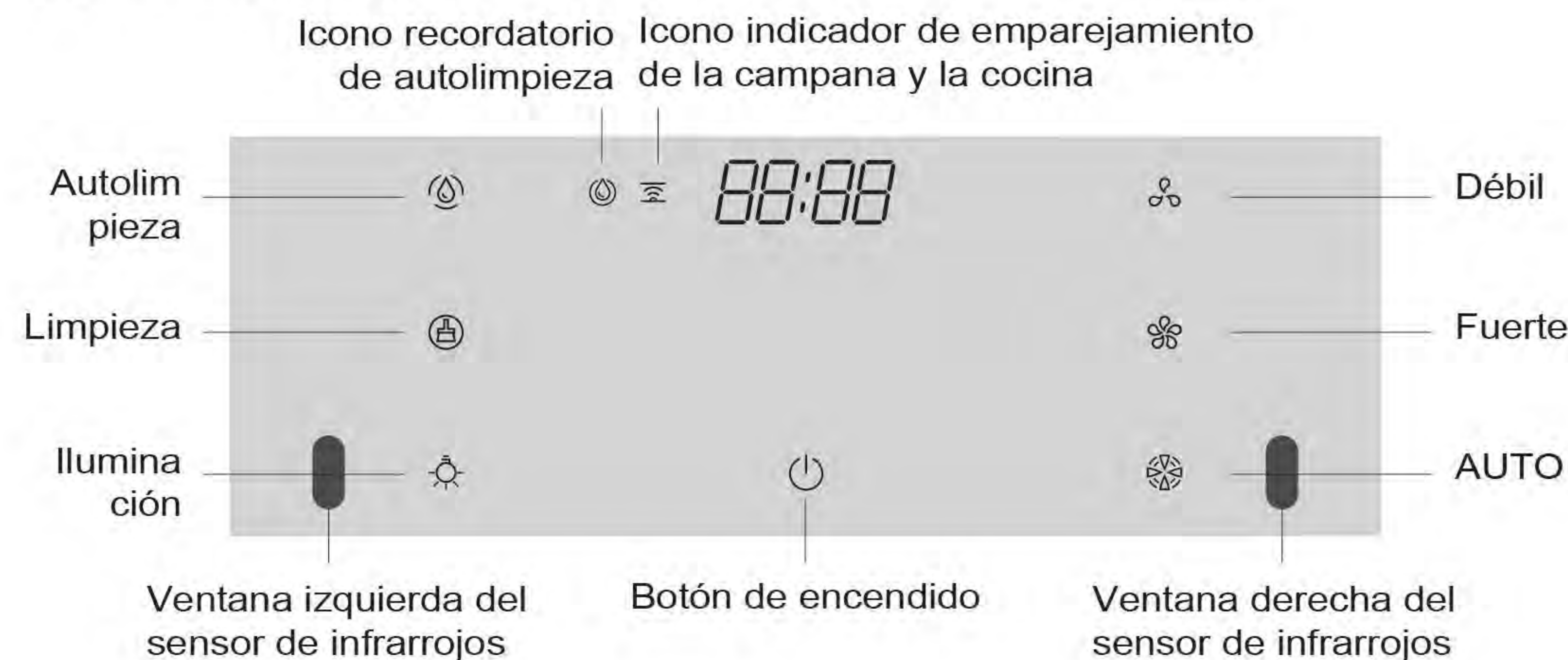
Principales parámetros técnicos

Model		EMG9050
Certificación		ETL
Dimensión del producto	Altura	29 1/4pulg. (895mm)
	Profundidad	22 1/2pulg. (520mm)
	Ancho	8 5/8pulg. (600mm)
Fuente de alimentación		120V/60Hz
Potencia de máquina		310W
Potencia de LED luz		5W



Instrucciones de uso

Interfaz de control



Descripción de las funciones

00 Función de sensor gestual

La campana puede encenderse y apagarse agitando la mano a través de las ventanillas de detección situadas en cada extremo de la interfaz.
[Pulse simultáneamente los botones ☀ y ☼ durante 5 segundos en estado apagado para activar o desactivar la función de sensor gestual.]

⏻ Botón de encendido

Toque ⏻ y entra en el modo de espera. En este momento se pueden tocar otras teclas (Si no se operan en 2 minutos, la máquina se apagará automáticamente)
Cuando el ventilador está en funcionamiento, toque ⏻, el icono ⏻ parpadea y la máquina entra en estado de retardo. 5 minutos después, la máquina se apaga automáticamente. Si vuelve a tocar ⏻, el ventilador se apagará directamente (Durante el estado de retardo, si toca otras teclas de flujo de aire, saldrá del retardo).

Las siguientes teclas sólo son válidas cuando el botón de encendido está activado

☼ Débil

Toque ☼. La placa de mariposa se desplaza a la posición central y la máquina entra el estado débil. Toque de nuevo ☼ el ventilador deja de funcionar;

☼ Fuerte

Toque ☼. La placa de mariposa se desplaza a su posición más baja y la máquina entra el estado fuerte. Toque de nuevo ☼ el ventilador deja de funcionar;

⚙ AUTO

Toque la tecla ⚙. La campana entra en modo de velocidad automática y va a ajustar automáticamente el volumen de aire necesario y la posición de las placas según el tamaño actual de los humos para conseguir el mejor efecto.

Long press ⚙ for two seconds, the ⚙ indicator will be on and the range hood will enter the super-gear mode. It will enter the auto-cruise mode after running the super-gear mode for one hour.

🕒 Autolimpieza

Toque la tecla 🕒 para entrar en el modo de autolimpieza, la placa de mariposa se eleva a su posición más alta, y la función de autolimpieza va a durar 30 segundos y el tiempo de funcionamiento se muestra en la pantalla digital. En el modo de autolimpieza, todos los botones están desactivados excepto ⏻, ☀ y 🕒. Después de que la campana haya estado funcionando durante 20 horas, la campana se recordará a sí misma que debe limpiarse. El icono 🕒 se iluminará para recordar al cliente que limpie la máquina con la función de autolimpieza. Una vez finalizada la autolimpieza, el icono 🕒 se apaga:

🔒 Descarga

Toque la tecla 🔒. La campana entra en el modo de limpieza y mantenimiento. La placa de mariposa se baja a su posición más baja. Vuelva a tocar 🔒. La placa se cierra. Todas las teclas excepto ⏻, ☀, 🔒 están desactivadas en el modo de descarga.

☀ Iluminación

Toca la tecla ☀ para encender la luz; vuelve a tocar ☀ para apagarla.

■ Nota sobre el control integrado de la campana extractora y los enseres de cocina



Requisitos de uso:

para poder utilizar la función de emparejamiento de campana y cocina es necesario adquirir tanto la campana extractora Fontile EMG9050 como las cocinas de gas Fontile con la misma función.

Método de uso:

1. Conexión por código de par (antes de realizar el emparejamiento, es necesario realizar la conexión por código de par de la campana extractora y la cocina de gas)
 - (1) Instale bien la campana extractora y la cocina de gas, conecte la alimentación y asegúrese de que los mandos de la cocina están apagados;
 - (2) Pulse para encender la campana extractora, de modo que se encuentre en estado de espera o de trabajo, pulse prolongadamente durante 5 segundos, la campana extractora "beep", mientras que de la campana extractora parpadea, así entra en el estado de emparejamiento. En este estado, abra el mando de la campana extractora, espere unos instantes, cuando la campana extractora emita un "beep", al mismo tiempo, enciende, la conexión por código se ha completada.

⚠ Nota: Si la placa de control eléctrico de su campana extractora o cocina se repara o sustituye, por favor, vuelva al proceso de conexión, y el método de operación es el mismo que el anterior.

2. Una vez que la conexión por código se haya completada correctamente, podrá realizar la función de enlace entre la campana extractora y la cocina de gas. Cuando se enciende la cocina de gas, la campana extractora se encenderá automáticamente, el ventilador funcionará y la iluminación se encenderá al mismo tiempo; cuando se apaga la cocina de gas, la campana extractora entrará en el estado de retardo, el ventilador funcionará en marcha lenta, y se apagará automáticamente después de 5 minutos.

3. Desbloquee el emparejamiento

- (1) Encienda la campana extractora y la cocina, y asegúrese de que los mandos de la cocina están apagados;
- (2) Toque para encender la campana extractora, póngala en estado de espera o de funcionamiento, pulse prolongadamente durante 5 segundos, la campana extractora "beep", y al mismo tiempo, parpadea, y entre en el estado de liberación. En este estado, abra el mando de la cocina, y espere unos momentos, cuando la campana "beep beep" dos veces, al mismo tiempo, desentiende , así la liberación se ha completado.

Limpeza y mantenimiento

	<p>1. Desconecte la fuente de alimentación antes de limpiar.</p>		<p>2. Mantenga todos los componentes electrónicos (incluidos motores, interruptores, etc.) alejados del agua.</p>
	<p>3. No utilice materiales ásperos (por ejemplo, bolas de alambre, cepillos o paños ásperos) para limpiar la superficie del producto, ya que causará graves daños a la superficie.</p>		<p>4. No utilice gasolina, ácidos, benceno, disolventes ni otros productos químicos para limpiar el producto. Si necesita limpiar el producto, utilice un limpiador neutro y seque la superficie con un paño suave después de la limpieza.</p>
<p>Paño mojado</p>	<p>5. Si el panel de acero inoxidable se contamina con líquido salino, desinfectantes, lejía y otros productos de limpieza, límpielo inmediatamente con un paño húmedo y séquelo después con un paño seco.</p>		<p>6. Sujete ambos extremos de la copa de aceite con ambas manos para mantenerla horizontal y, a continuación, desenróscuela lentamente de la parte delantera de la campana, extraiga la copa y vierta el aceite.</p>
		<p>7. Pulse el botón de desmontaje, la placa de la mariposa baja a su posición más baja, agarre la parte delantera de la placa con ambas manos y gírela hacia abajo para desenganchar los clips de la placa mientras la vuelve a girar hacia</p>	
<p>abajo en ángulo para extraer la placa. Sujete la rejilla del aceite con la mano izquierda y, con la derecha, utilice un destornillador Phillips para abrir los dos tornillos que sujetan la rejilla y extraerla.</p>			



- a. Cuando limpie y repare la campana extractora, asegúrese de desenchufar primero el cable de alimentación para evitar descargas eléctricas.
- b. Después de cada uso de la campana extractora, limpie la superficie exterior de la campana extractora, la placa de mariposa y la copa de aceite.
- c. La luz utilizada es luz LED: la potencia de la luz es de 5W, el rango de voltaje es de 9~10V, el tamaño de la luz es 18 11/16"(474mm) de ancho/ 5/8"(15mm) de profundidad/ 1 1/2"(37mm) de alto.

Identificación y tratamiento de averías comunes

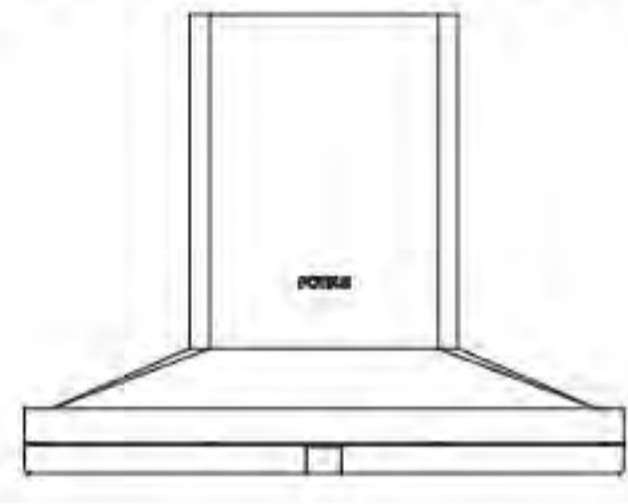
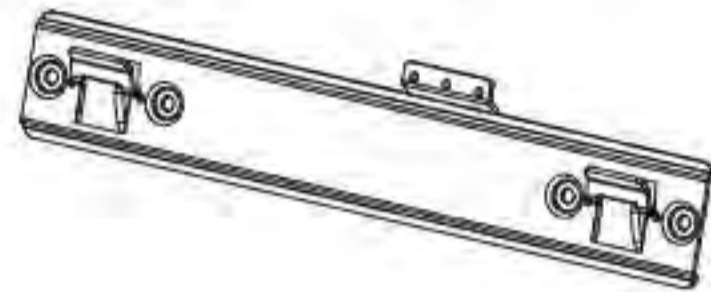
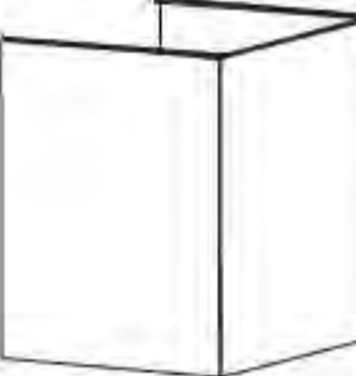

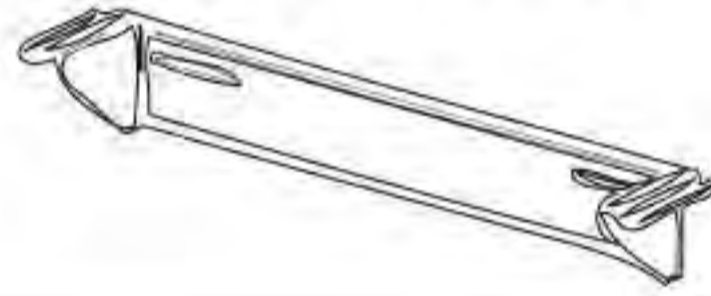




Avería	Posibles causas	Método de inspección
La campana no funciona al pulsar el interruptor y el LED no se enciende	No está encendido	Compruebe si el enchufe está conectado
		Compruebe si el enchufe tiene corriente
El motor gira pero el LED no se enciende	LED dañado	Sustituya la luz LED (este debe ser realizado por un profesional)
Hay ruido de vibración mecánica	Tornillos sueltos	Compruebe que los tornillos de la superficie de la campana estén bien apretados
La potencia de succión no es fuerte	La distancia de instalación entre la campana extractora y la superficie de cocción es demasiado grande	Baje la altura de instalación de la campana extractora (este debe ser realizado por un profesional)
	Demasiada ventilación de puertas y ventanas en el entorno de la campana y demasiada convección	Cierre algunas puertas y ventanas

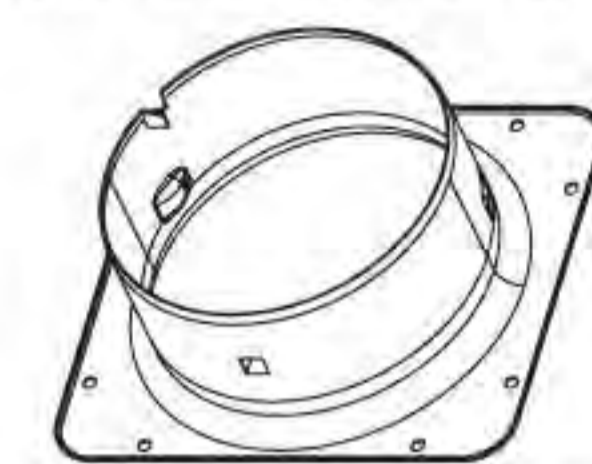
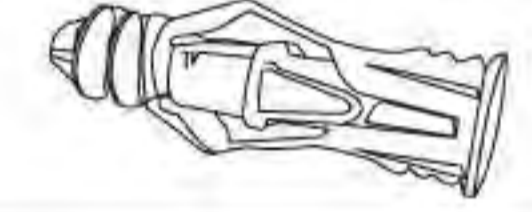


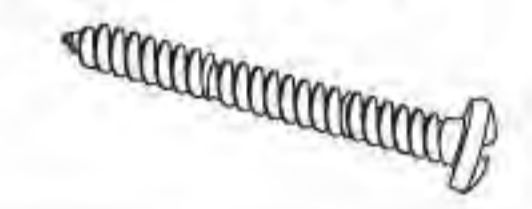
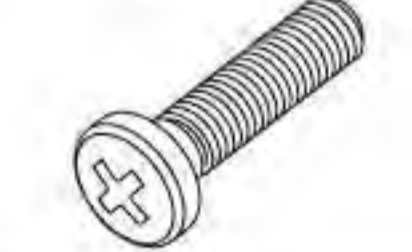
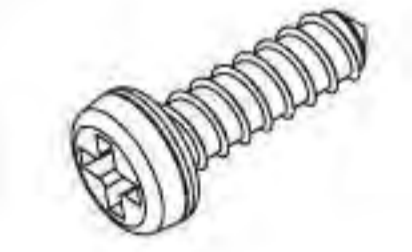
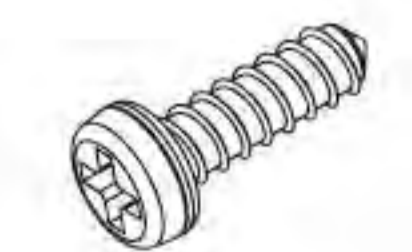


- a. Para sustituir la luz LED, póngase en contacto con un centro de servicio autorizado de Fotile.
- b. Si la campana extractora sigue sin funcionar correctamente después de haber subsanado los fallos anteriores, póngase en contacto con un centro de servicio autorizado Fotile.
- c. Por motivos de garantía, se requiere la siguiente información.
 - 1. Fecha de compra
 - 2. Número de modelo del producto
 - 3. Número de serie
 - 4. Prueba de compra
- d. Nadie podrá reparar la campana extractora sin autorización para evitar graves consecuencias, y el producto no estará cubierto por la garantía.
- e. Los siguientes casos no están cubiertos por la garantía.
 - 1. Daños causados por manipulación, instalación, uso, mantenimiento y almacenamiento inadecuados por parte del usuario.
 - 2. Averías y daños causados por el uso forzado más allá de las condiciones normales de uso
 - 3. Productos instalados y desmontados por usted mismo o por personal de servicio o agencias de servicio no designados por Fotile.
 - 4. La prueba de compra y la información de la tarjeta de garantía no se correspondan con el producto.
 - 5. Daños causados por fuerza mayor (por ejemplo, desastres naturales, guerras, etc.).
 - 6. El caso de que el producto no se utilice de acuerdo con el "manual de instrucciones" y se produzcan fallos o daños en el producto.

Instalación

Lista de embalaje

Accesorios estándar	
La máquina entera 	1
Gancho 	1
Cubierta decorativa 	1
Copa de aceite 	1
Gancho para cubierta decorativa 	1
Junta metálica 	1
Manuel de uso 	1
Garantía 	1
Componente de placa de mariposa 	1

Accesorios estándar	
Cubierta de aire de salida 	1
Tubo de expansión para cerámica F1/4"x1 5/16"(F5.3x32mm) 	6
Tubo de expansión para placa F3/16"x1 5/8"(F4x40mm) 	6
Tornillos para gancho #8x1 7/16"(ST4.2x36mm) 	6
Tornillos para madera #10x2 9/16"(ST5x65mm) 	4
Tornillos autorroscantes de cruz #8x1/ 2"(M4x12mm) 	8
Tornillos autorroscantes de cruz galvanizados #4x3/4"(ST2.9x19mm) 	2
Tornillos autorroscantes de cruz galvanizados #8x3/8"(M4x8mm) 	2

Advertencia de instalación

Para garantizar el uso seguro y eficiente del producto de FOTILE, por favor lea las siguientes informaciones relevantes que figuran en el manual de instrucciones del producto:

Advertencia: se refiere a los peligros que pueden provocar lesiones graves o muertes en caso de incumplimiento de las medidas preventivas.

Atención: significa que puede provocar lesiones leves a las personas o daños al producto en caso de incumplimiento de las instrucciones del manual.

Importante: se destaca las informaciones muy importantes.

 Instrucciones de seguridad

Por favor lea estas instrucciones de seguridad antes de usar el producto.

Conserve adecuadamente estas informaciones de instrucciones de seguridad.

Se permite únicamente el uso doméstico de este producto en espacios interiores.

Advertencia  

● Para reducir el peligro de incendio, choque eléctrico o lesiones a las personas, por favor tenga en cuenta las siguientes consideraciones:

■ La instalación de la campana extractora y la disposición de circuito eléctrico deben ser realizados por el personal especializado con experiencias pertinentes, se prohíbe al personal no especializado a efectuar la instalación. Durante la instalación, se debe cumplir todas las normativas y normas vigentes, que incluyen las instrucciones inherentes a la prevención contra incendio. Una instalación correcta es la responsabilidad del personal de instalación. Las fallas del producto causadas por una instalación indebida no están dentro del alcance de garantía de FOTILE.

■ Para garantizar la seguridad y la realización exitosa de la instalación, por favor utilice los accesorios que vienen acompañados con el equipo para efectuar la instalación; ¡Durante la instalación de los pernos de expansión, los pernos de expansión y los agujeros en la pared deben ser compatibles, se prohíbe estrictamente taladrar agujeros excesivamente grandes, ya que pueden causar que los pernos de expansión estén flojos, provocando en consecuencia su caída eventual!

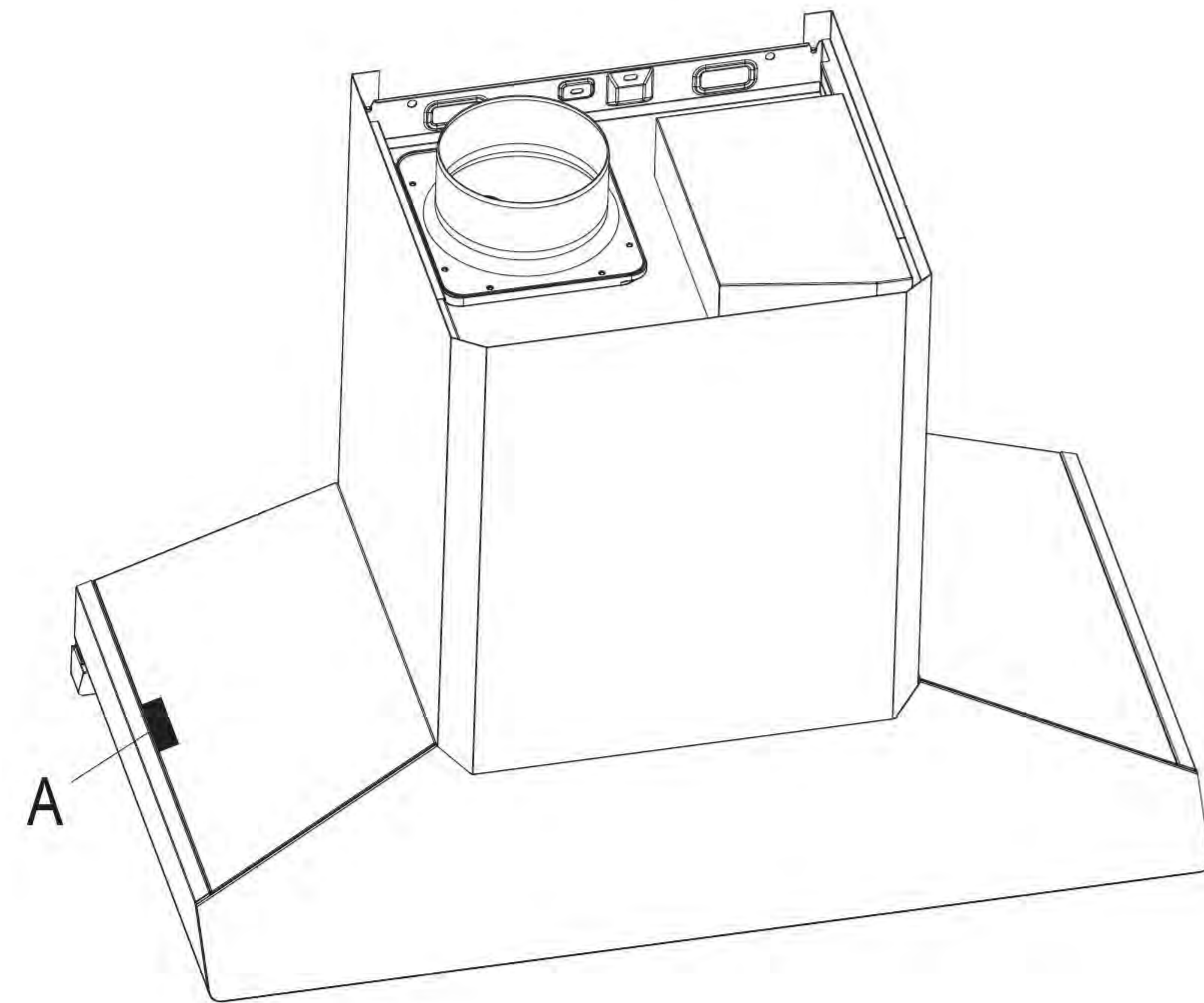
- Para la campana extractora se debe usar toma de corriente de uso especial, y la toma de corriente debe estar puesta a tierra confiablemente. Ya que la conexión con empalme intermedia del cable de alimentación, el uso del cable de extensión y del repartidor de múltiples puertos, puede provocar choque eléctrico, calentamiento del enchufe y de la toma de corriente, e incluso el incendio.
 - Durante la instalación, no debe estar conectado eléctricamente, se debe desconectar la fuente de alimentación en la caja de alimentación principal. En caso de que el cable de alimentación esté dañado, es necesario que el fabricante o su agente de servicio proporcione cable de alimentación individual y especialmente elaborado o el kit pertinente para cambiar el cable dañado.
 - La instalación realizada arbitrariamente por el usuario puede provocar peligro de choque eléctrico, desprendimiento o incendio. Se prohíbe al personal no especializado a realizar el desmontaje, la instalación y el mantenimiento de la campana extractora.
- Peligro de lesiones a las personas:
 - Antes de mover la campana extractora para su instalación, limpieza o reparación, se debe desconectar la fuente de alimentación para evitar choque eléctrico.
 - Es posible que la campana extractora tenga borde filoso, para su instalación, limpieza o reparación, debe ponerse los guantes de protección de calidad aceptable, para prevenir lesiones por rasguño y raspón causadas por la lámina metálica filosa instalada en la campana extractora.
- Advertencias antes de la instalación:
 - Para evitar causarle daños a la campana extractora, por favor evite el ingreso de sustancias extrañas en la salida de aire.
 - Gracias a la disposición del conducto de salida de aire en línea recta y relativamente corta, facilita la extracción de humos de la campana extractora.
 - En lo posible trate de evitar el uso de conducto de salida de aire excesivamente largo y con muchos codos, ya que el uso de este tipo de conducto afecta el efecto de extracción de humos de la campana extractora.
 - Se debe sellar la parte de conexión entre el conducto de salida de aire y el agujero en la pared con sellador de conducto. Asegúrese que el conducto de salida de aire y la capucha de escape estén firmemente conectados, y sellarlos con cinta de aluminio.
 - Para garantizar una buena extracción de humos, se recomienda utilizar un tubo de salida de humos de 7" (178 mm) o superior de diámetro en lugar de uno de 5" (127 mm) o inferior. Un tubo demasiado pequeño aumentará la resistencia a la extracción de humos, lo que no sólo impedirá una buena extracción de humos, sino que también puede provocar que el motor deje de funcionar debido a la protección térmica.
 - Todos los tornillos de este producto son tornillos de dimensión métrica, por favor no utilice aquellos tornillos que no cumplan con lo exigido por las especificaciones vigentes.

Atención

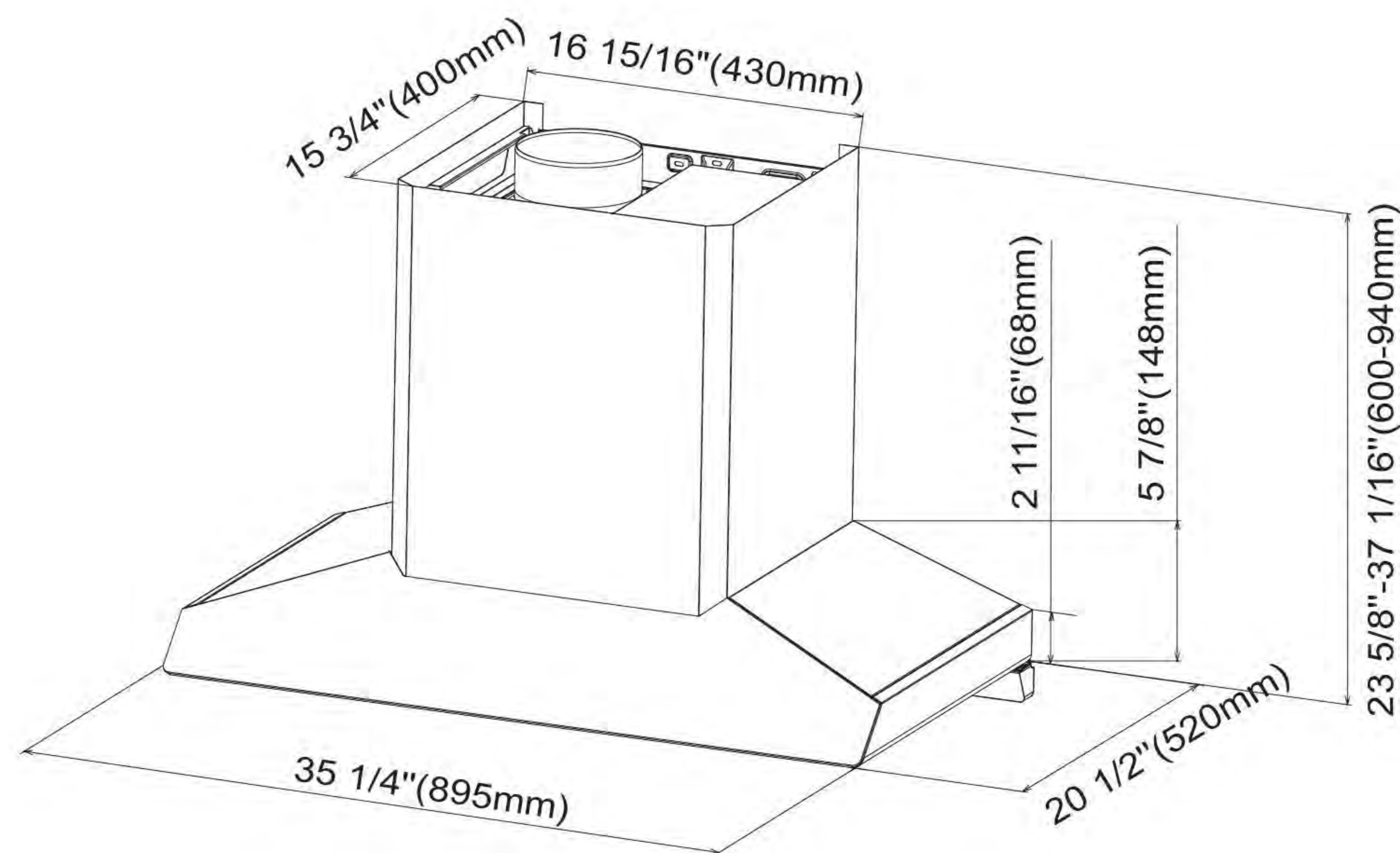
- Antes de realizar la instalación, por favor lea detenidamente todas las instrucciones. Especialmente se debe tener en cuenta las siguientes consideraciones:
 - Si Ud. está decorando su cocina, por favor no deje la campana extractora expuesta al aire. Ya que los materiales de construcción, el polvo, la pintura, el recubrimiento y el gas producido por ellos, pueden provocar la corrosión de la superficie de la campana extractora y la pérdida de brillo. Le sugerimos instalar la campana extractora luego de haber finalizado la decoración de la cocina.
 - Si es necesario mover la cocina de gas antes de instalar la campana extractora, por favor cierre primero la válvula general de gas antes de mover la cocina de gas.
 - Se prohíbe descargar el gas residual emitido por la campana extractora al conducto de humos caliente utilizado para la extracción de gas de combustión o para la extracción de humos de otros combustibles.
 - Dado que la campana extractora es grande y pesada, le sugerimos designar dos personas de instalación para su instalación. Debido a la complejidad del proceso de instalación de esta campana extractora, por eso es necesario que el personal de instalación y de mantenimiento especializado realice la instalación según este manual de instrucciones.
 - Luego de la fijación del producto, se debe poner el enchufe en una posición accesible.
 - Durante la instalación, se debe garantizar que el cuerpo de equipo esté en posición horizontal.
 - Al finalizar la instalación, confirme que la campana extractora funcione sin ningún tipo de anomalía.

Importante

- Por favor lea todas las instrucciones del manual de instalación antes de efectuar la instalación, conserve adecuadamente este manual de instrucciones como documento de referencia para la inspección local y su consulta posterior.
- Se debe instalar este producto cumpliendo con la ley de electricidad nacional, asimismo, también se debe cumplir con las normativas de distintos estados, municipios y localidades.
- Disponga del disyuntor adecuado para este producto, y asegúrese que el producto esté confiablemente puesto a tierra al momento de su instalación.
- Los valores nominales de voltaje, de frecuencia y de amperio deben ser adecuados para el producto según el voltaje, la frecuencia y el amperio indicados en la placa de identificación del producto.
- La instalación debe ser realizada por el centro de servicios autorizado por FOTILE o por el personal de instalación aceptado por FOTILE.
- Antes de instalar la campana extractora, anote primero el modelo y el número de serie del producto. Para el modelo y el número de serie del producto, por favor véase las instrucciones marcadas con A en el gráfico.
- Los ganchos de la campana y los armarios deben ser capaces de soportar 3 veces el peso de la campana.



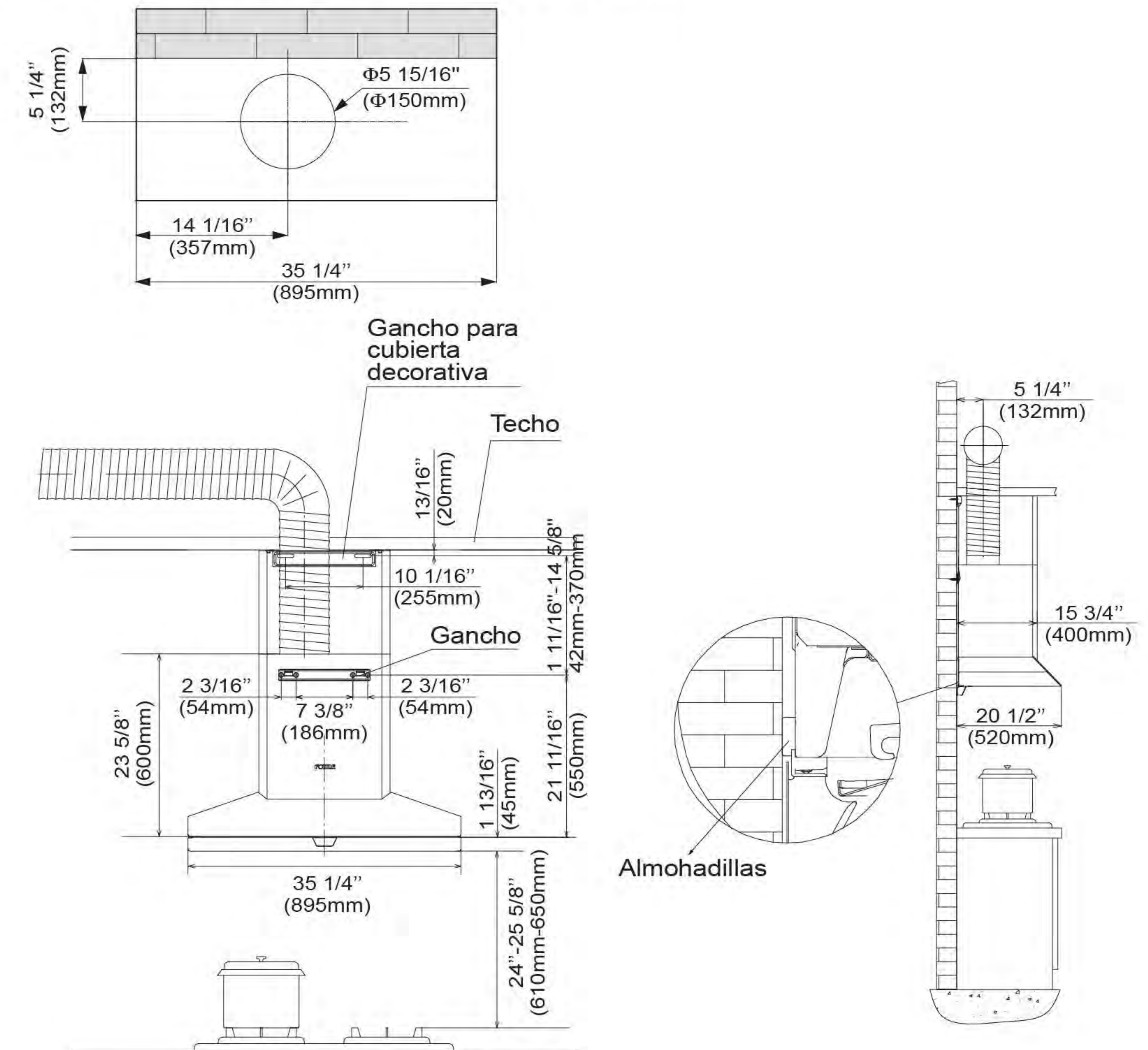
Planos dimensionales del producto



Dimensión básica del producto

Consejos de instalación

■ Esquema de instalación de la campana extractora



Esquema de instalación (★ indica la distancia a la pared)

💡 La altura de instalación de la campana (es decir, la distancia entre la superficie de apoyo de los utensilios de cocina sobre la placa y la parte más baja de la campana) no debe ser inferior a 24" (610 mm). Si las instrucciones de instalación de placa de cocción especifican una distancia de instalación más grande, deberá tenerse en cuenta. Para garantizar una extracción de humos eficaz, instale la campana dentro de la altura de instalación recomendada. Si la altura de instalación real supera la altura recomendada, la eficacia del producto puede verse afectada. Si la altura de instalación de la campana extractora está regulada por ley en su región, le recomendamos que cumpla la legislación pertinente.

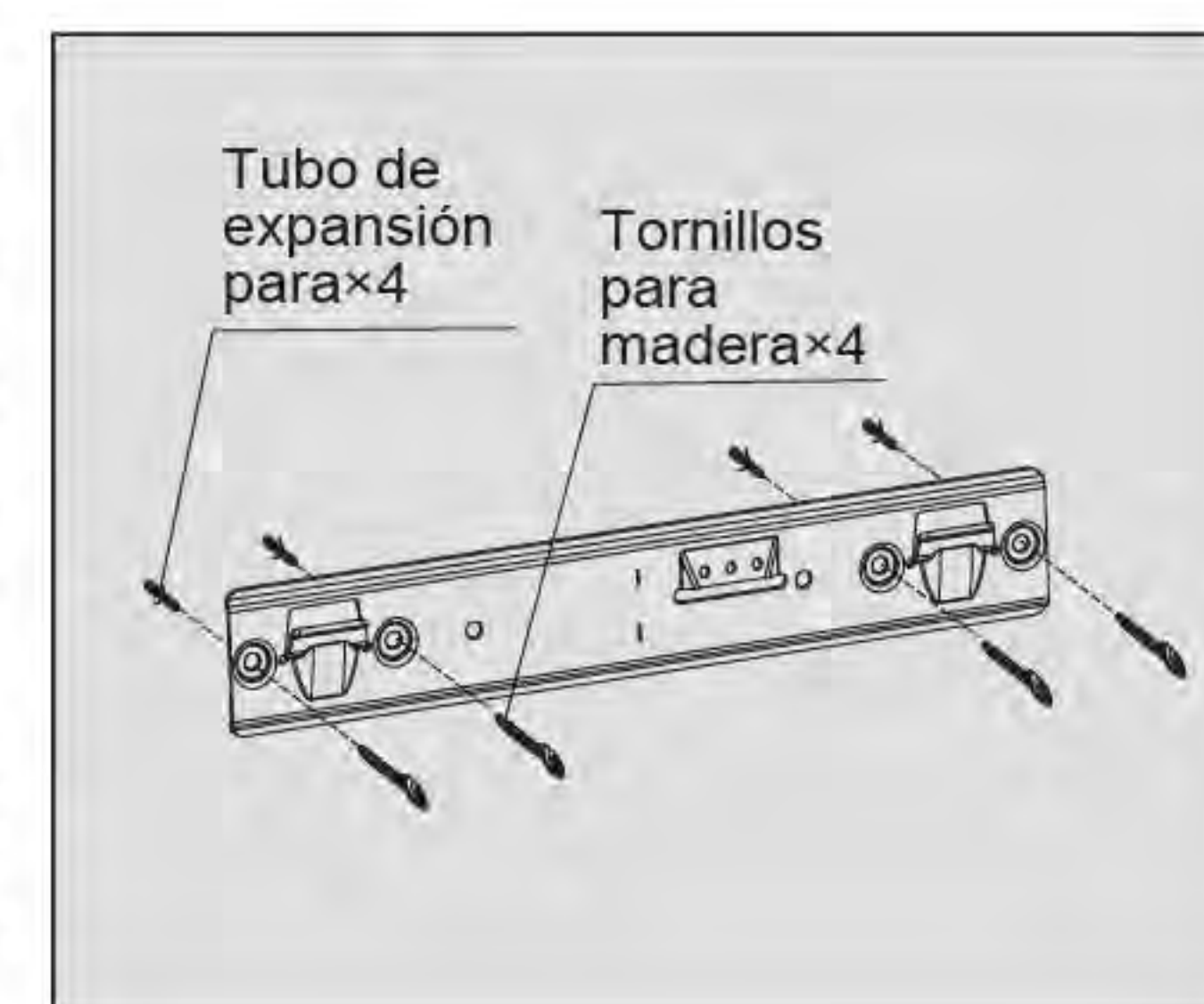
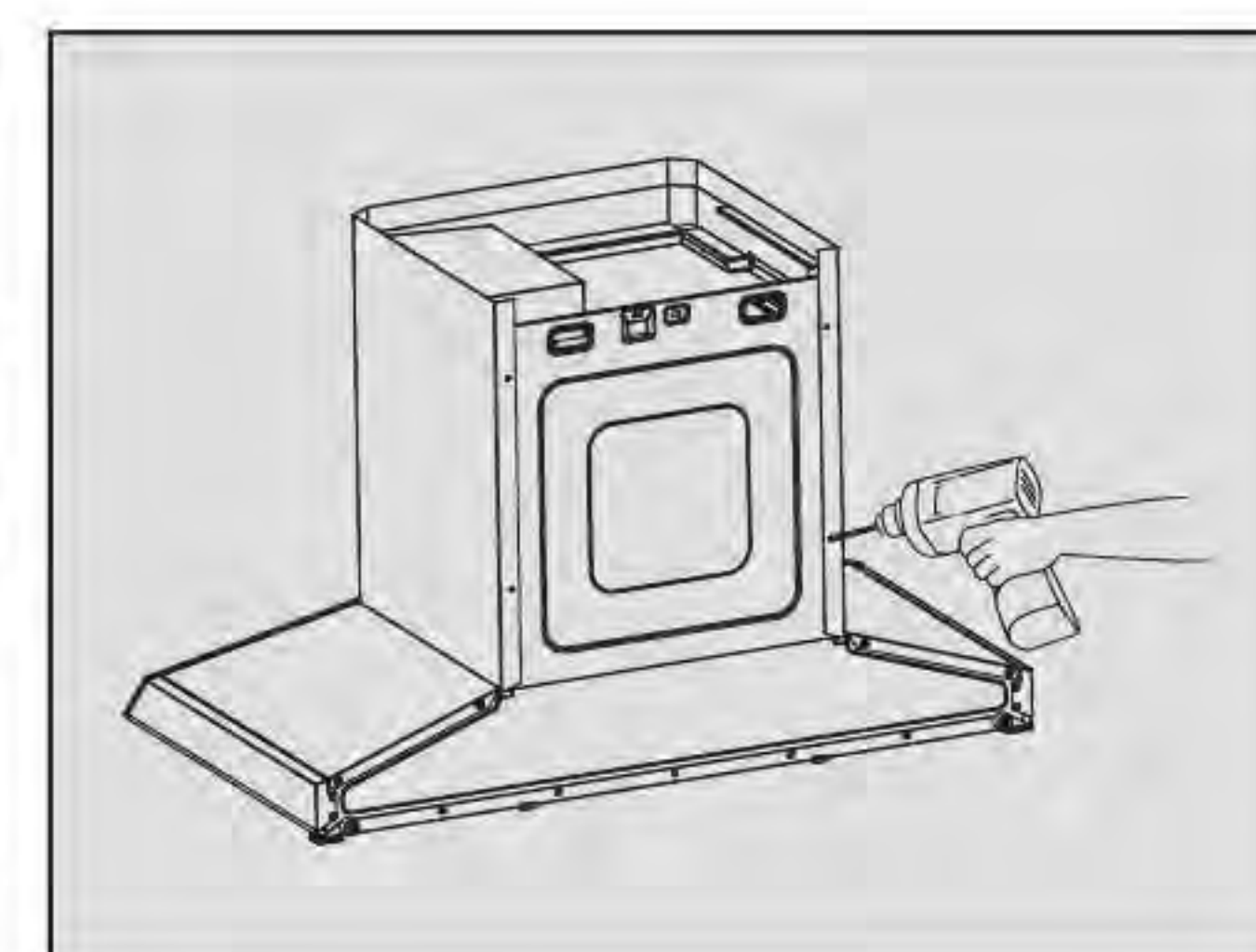
■ Preparación antes de la instalación

1. Advertencia: Para evitar daños en la campana extractora, asegúrese de que no entren residuos, etc. en la salida de aire. Calcule la posición del conducto de salida de la campana extractora hacia el exterior, y consulte el esquema de instalación. Un conducto de salida recto y corto permitirá que la campana extraiga el humo con mayor suavidad. La conexión entre el conducto de salida y el orificio de la pared se sella herméticamente con cinta para conductos. Es importante asegurarse de que el conducto de salida esté firmemente sujeto a la cubierta. Si el orificio de la pared es demasiado pequeño, el efecto de extracción de humos se verá afectado. Se recomienda ampliar el orificio hasta el tamaño del conducto de salida, siempre que se garantice la seguridad.
2. Preparación de las herramientas
Para la instalación de esta campana extractora, debe tener las siguientes herramientas (incluidas, entre otras, las siguientes).

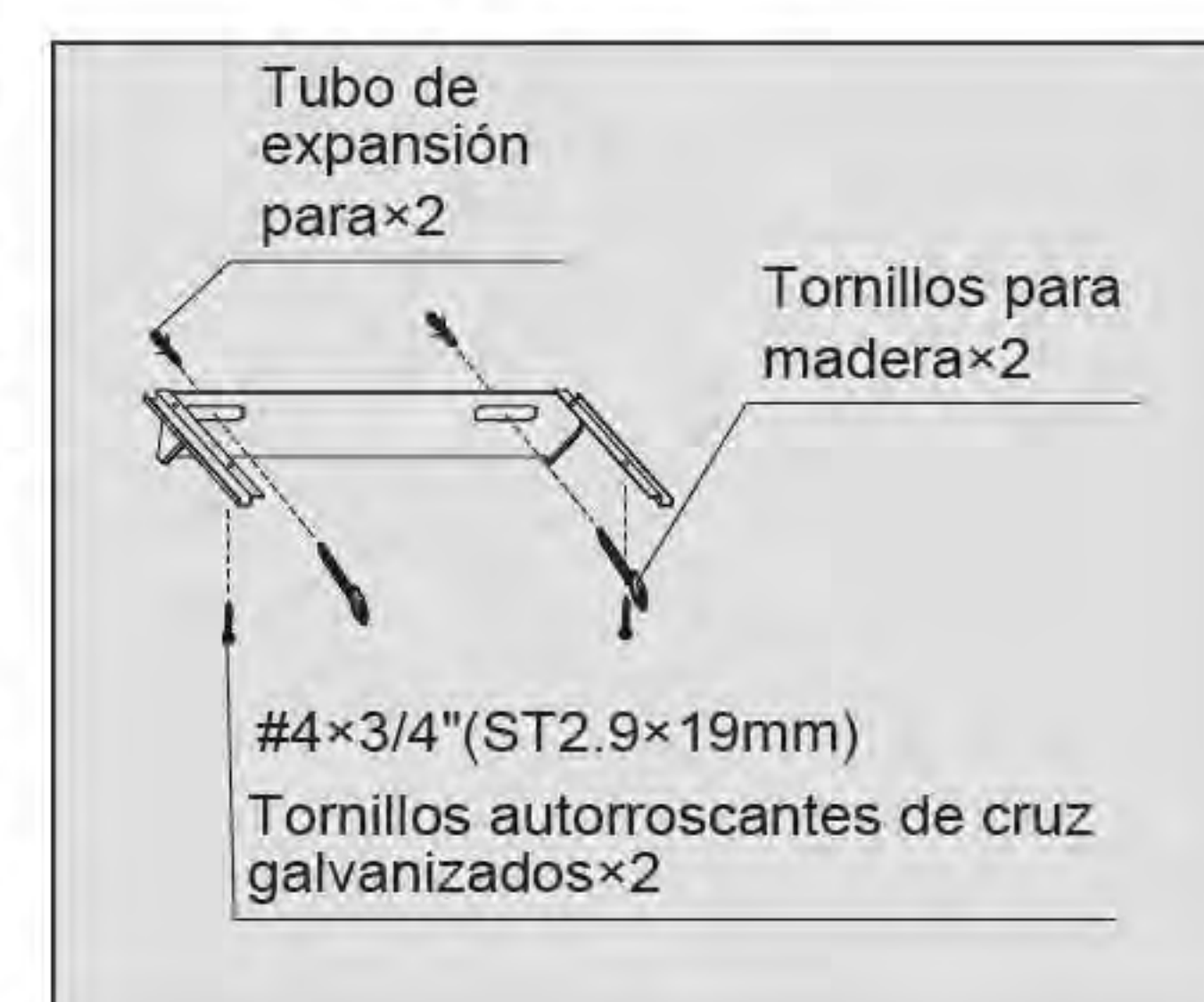
(1) Taladro de impacto (Φ3/8"(Φ8mm))	(2) Destornillador Phillips
(3) Cinta métrica	(4) Cinta niveladora

Pasos de la instalación

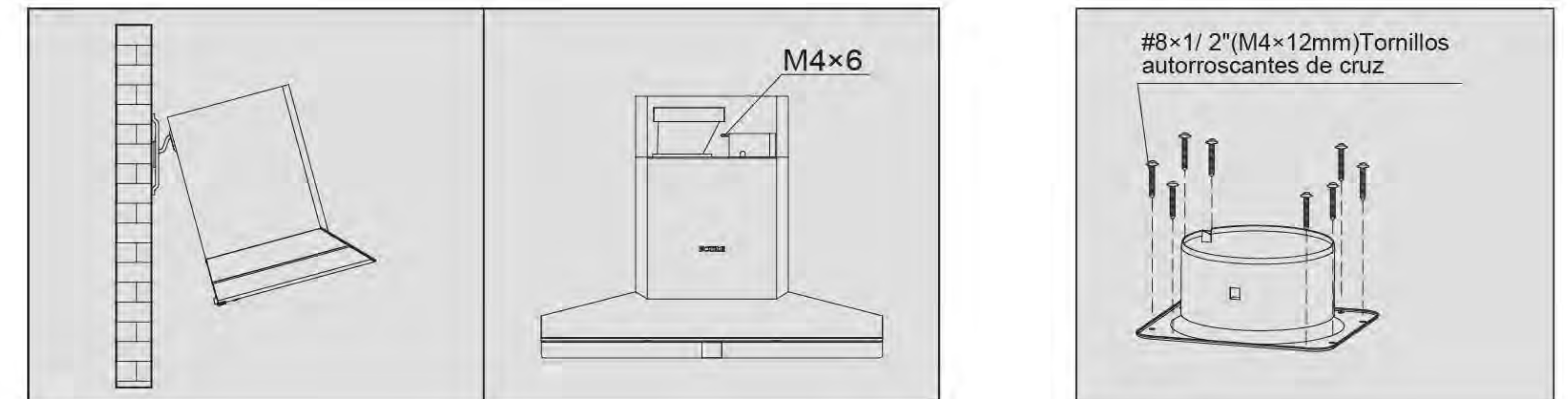
1. El taladro de percusión debe estar equipado con Φ una broca de percusión de repuesto de Φ3/8"(Φ8mm).
2. Saque toda la máquina desde la caja, desatornille los 4 tornillos de la parte posterior de la campana que se usa para fijar la cubierta del ventilador y retire la cubierta del ventilador y la cubierta decorativa.
3. Como se muestra en el diagrama de instalación. Taladre y entierre firmemente el tubo de expansión, fije los ganchos y los ganchos de la cubierta, atornille tornillos para madera #10x29/16" (ST5x65mm) y apriete: El gancho de la cubierta se puede reforzar con dos tornillos autorroscantes con ranura en cruz #4x3/4" (ST2.9x19mm) al techo como se muestra en las Figuras 1 y 2).
4. Como se muestra en la figura 3. Fije la cubierta de salida y la junta a la parte superior de la unidad principal con 8 tornillos de cubierta de salida #8x "2" (M4x42mm).
5. Fije el tubo de salida de aire a la cubierta y envuélvalo con cinta de papel de aluminio para sellarlo (como se muestra en la figura 3). Compruebe que la pared del tubo no está abombada ni desinflada, que la curvatura es normal y que la junta entre el tubo de salida y la pared es estanca para evitar el reflujo de humos.
6. Cuelgue firmemente la unidad principal. Cuando se mira de frente, no está torcido ni inclinado. Si se mira de lado, el cuerpo está contra la pared con un ligero espacio entre él y la pared.



Figuras1

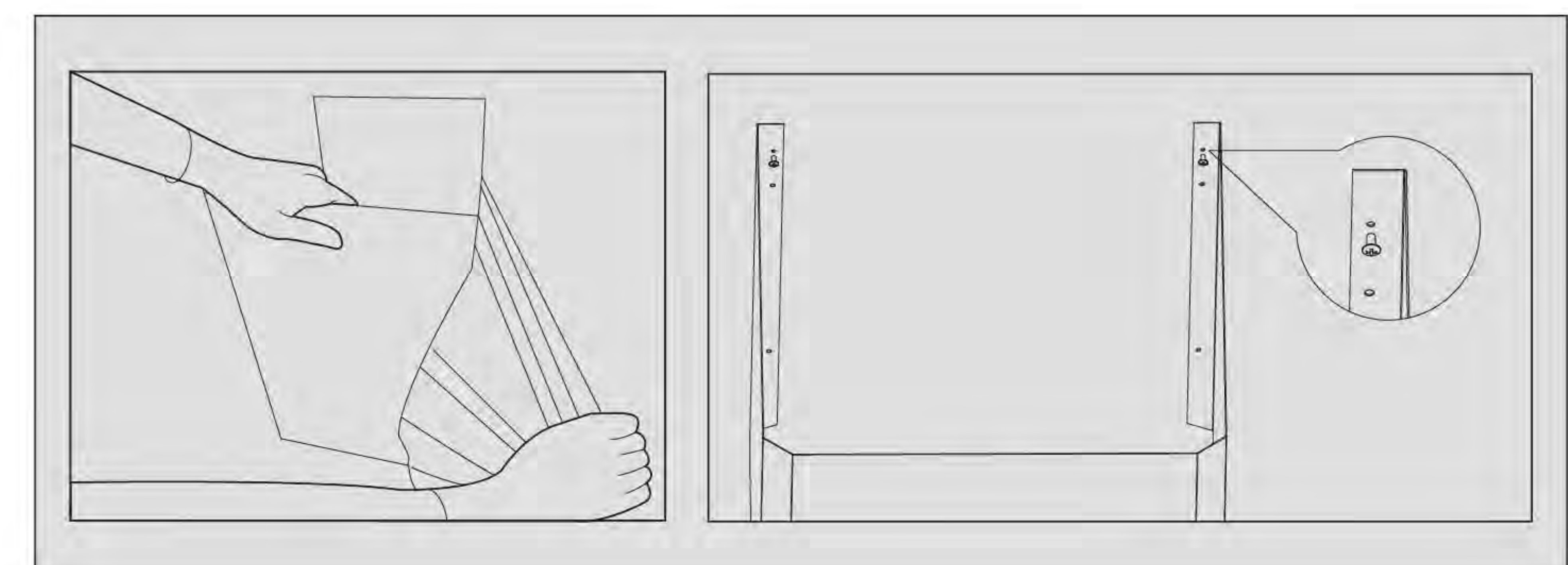


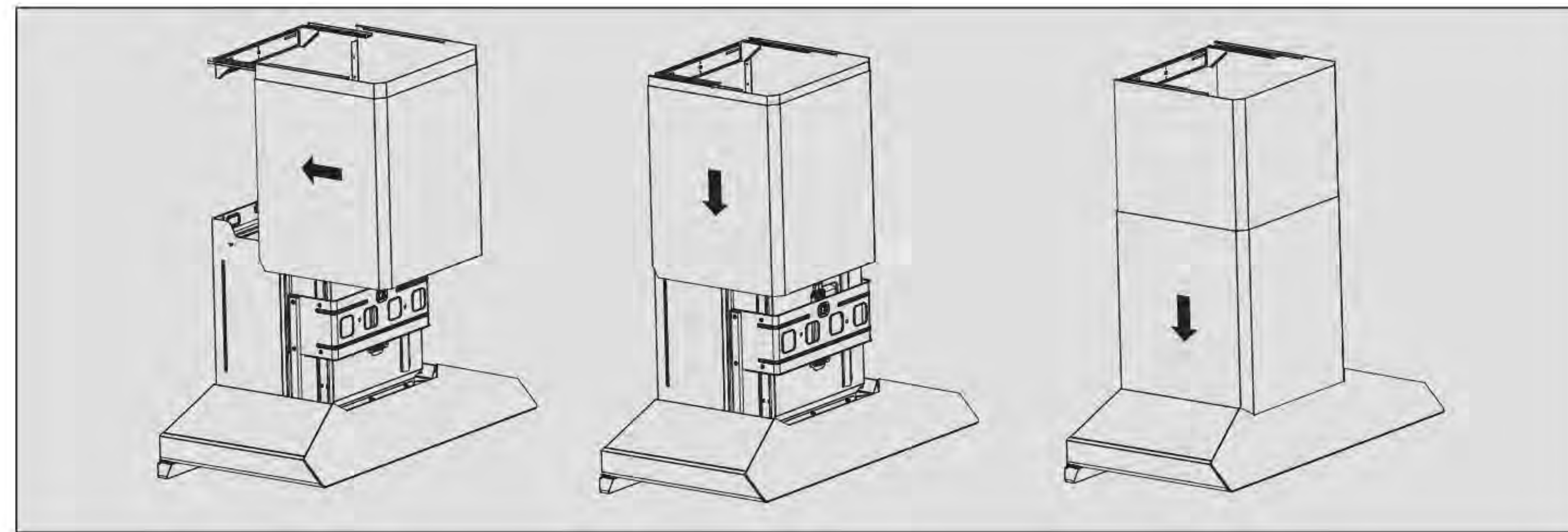
Figuras2



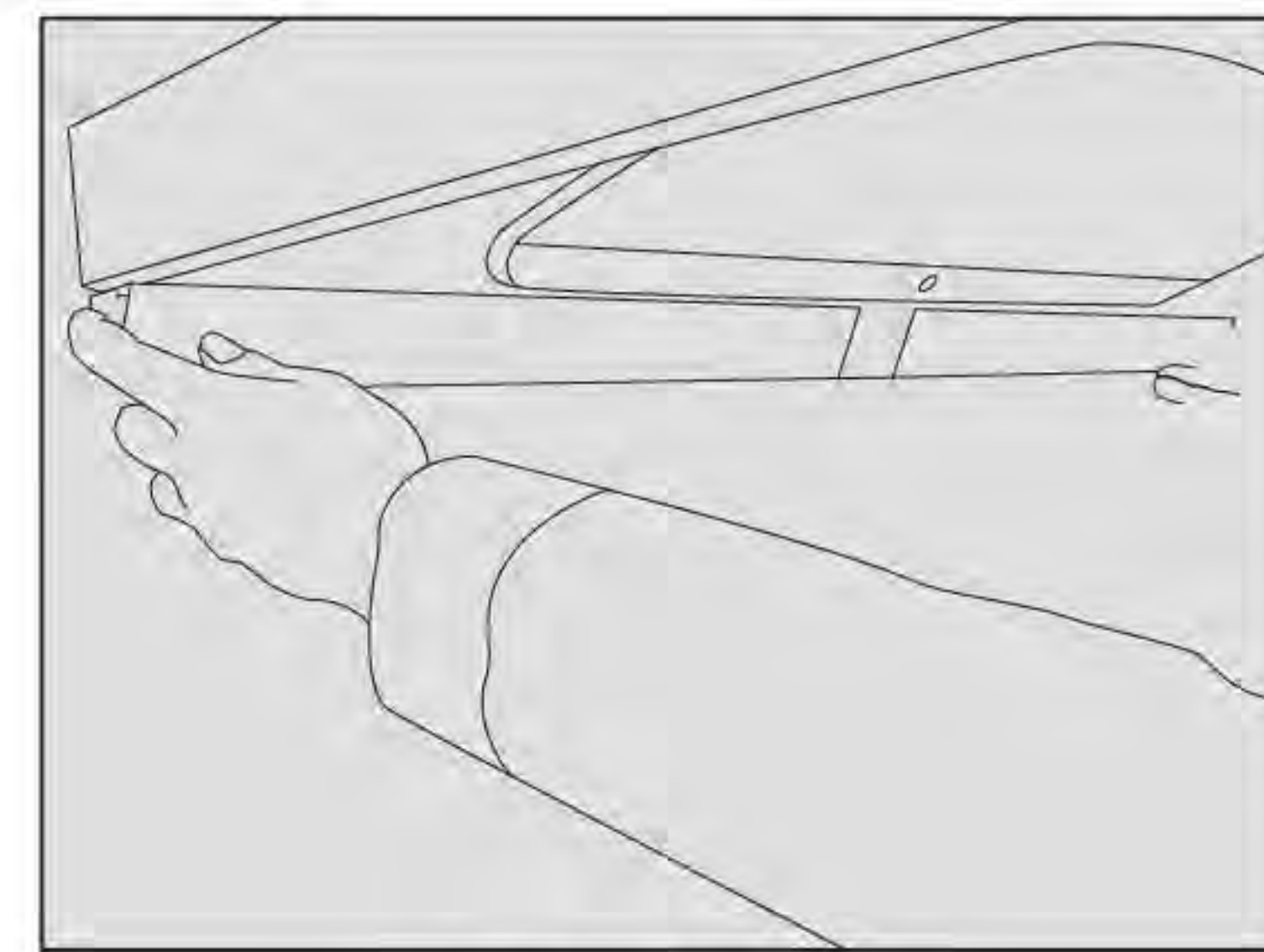
Figuras3

7. Enchufe la unidad principal a una toma de corriente.
8. Instalación de la carcasa exterior del ventilador y la cubierta decorativa (como se muestra en la figura 4):
 - (1) Quite la película: Quite la película protectora de la cubierta del ventilador y la cubierta decorativa y fije los 2 tornillos #8x3/8"(M4x8mm) quitados a los 2 agujeros superiores del tornillo de la cubierta del ventilador, no los atornille mucho, y mantenga un espacio de 1/8"(3mm) (por favor use guantes protectores).
 - (2) Coloque la cubierta decorativa en la carcasa exterior del ventilador;
 - (3) Levante la cubierta exterior del ventilador y la cubierta decorativa al mismo tiempo, encaje primero la cubierta decorativa en los ganchos y, a continuación, empuje simultáneamente los ganchos de la cubierta decorativa y la cubierta exterior hasta el final;
 - (4) Después de empujar la cubierta decorativa y la carcasa del ventilador hasta el fondo, la carcasa se desliza lentamente hacia abajo y encaja la carcasa en el marco del ventilador, luego inserte la carcasa en el hueco entre la placa superior y el marco del ventilador.
9. Instale la placa de mariposa y la copa de aceite :
 - (1) Sujete los extremos inferiores de las copas de aceite con ambas manos e instale las copas en los ganchos en la parte inferior de la campana extractora.
 - (2) Pulse el botón del modo de desmontaje, el colgador de la placa de mariposa caerá a la posición más baja, sujete la parte delantera de la placa con ambas manos, cuelgue los ganchos izquierdo y derecho de la parte trasera de la placa en el colgador y, a continuación, gírelo hacia arriba para encajar los clips de la placa en el colgador.

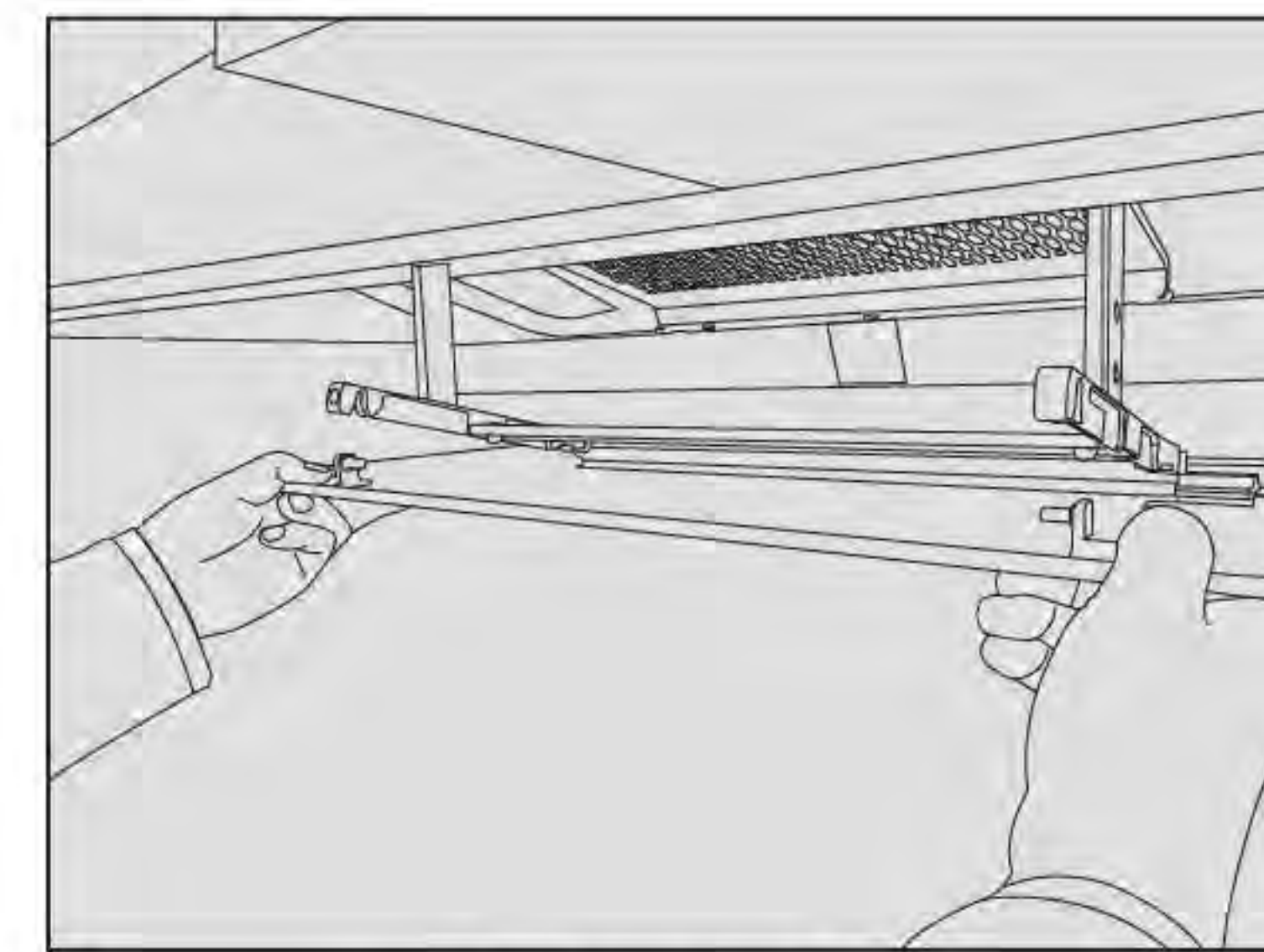




Figuras 4



Figuras 5



Figuras 6

- a. Retire la cubierta del ventilador antes de la instalación.
- b. Si se instala con armarios, intercambie el paso 4 con el paso 5.
- c. Seleccione la broca en función de la zona específica a taladrar.

Puesta en servicio después de la instalación

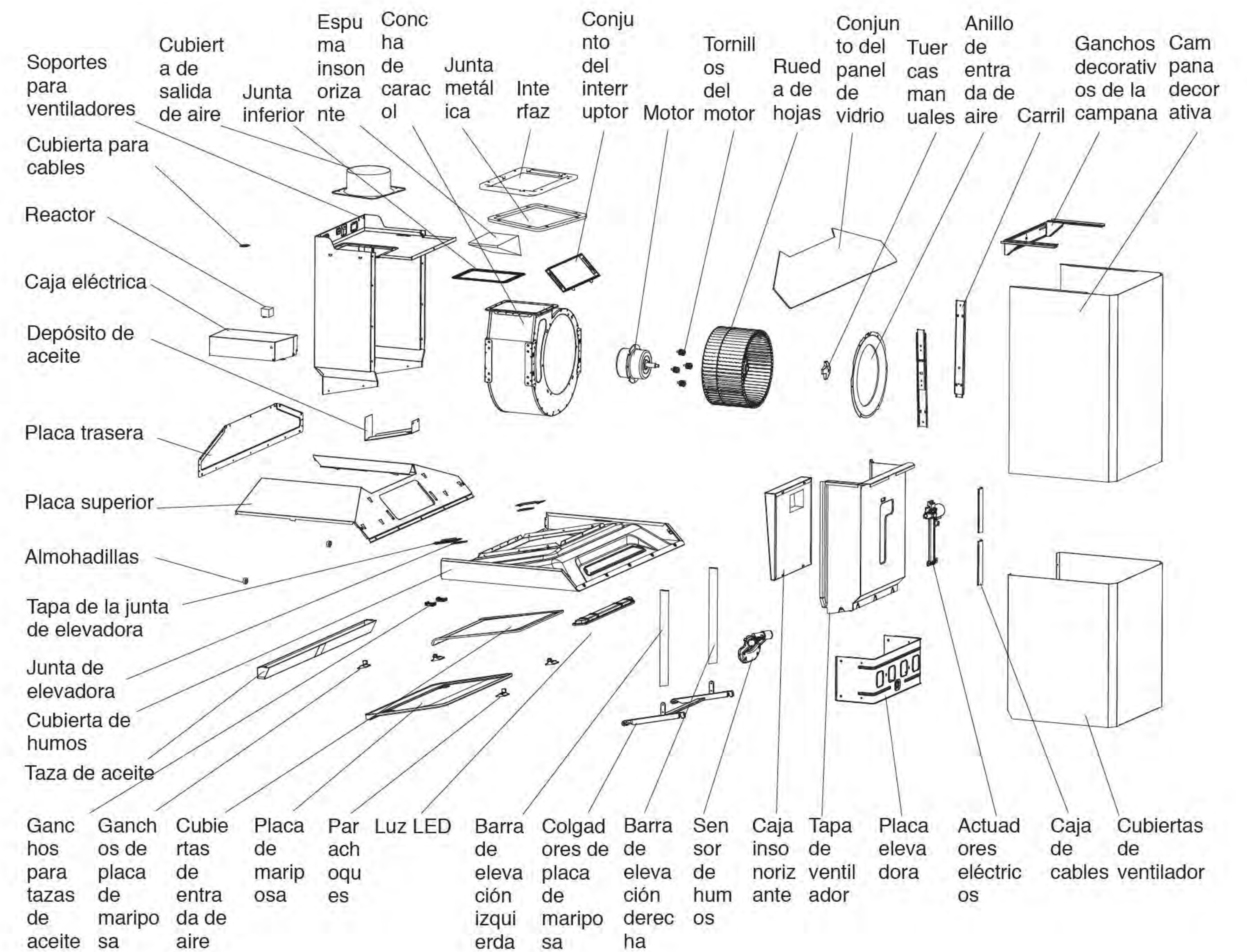
1. Coloque la copa de aceite;
2. Enchufe la unidad principal
3. Toque el botón y, a continuación, para comprobar si la iluminación es normal.
4. Toque el botón , o para comprobar si la rotación del motor es normal y si la placa de mariposa se levanta con normalidad. Si se producen las siguientes anomalías, corte inmediatamente la alimentación eléctrica, detenga el funcionamiento y compruebe si la instalación es correcta.
 - (1) El cuerpo vibra violentamente
 - (2) Tubo quebradizo suelto
 - (3) El impulsor no gira
 - (4) Sonido de fricción evidente cuando el impulsor gira
 - (5) Sonido anormal del motor
5. toque , el icono parpadea y la máquina entra en estado de retardo. 5 minutos después, la máquina se apaga automáticamente. Si vuelve a tocar , el ventilador se apagará directamente.
 - (1) Si el cable de alimentación está dañado, para evitar peligros debe ser sustituido por un profesional del fabricante, de su departamento de mantenimiento o similar.
 - (2) Cuando la campana se utilice junto con una cocina de gas u otro combustible, la habitación debe estar bien ventilada.

Elimine el producto correctamente



Esta marca indica que este producto no debe desecharse junto con otros residuos domésticos. Con el fin de evitar que los residuos se desechen de forma poco razonable, ya que pueden ser perjudiciales para el medio ambiente o la salud humana, este producto debe reciclarse adecuadamente para promover el desarrollo del uso sostenible de materiales y recursos. Si necesita devolver una máquina usada, utilice el sistema de recogida de reciclaje o póngase en contacto con el distribuidor correspondiente, que reciclará la máquina de forma segura y respetuosa con el medio ambiente.

Diagrama de estructura



FOTILE

吸油烟机

使用安装说明书 | EMG9050

如有任何需要，请联系方太授权的服务中心。本说明书部分图片为示意图，仅供参考，若图片与实物不符，以实物为准。

请在开始安装和使用前仔细阅读此产品说明书。
请保留此产品说明书，以供今后使用或后续用户使用。

尊敬的用户，您好！感谢您选购方太公司为您精心制造的方太系列产品，使用前请通读本《使用安装说明书》（以下简称说明书），此说明书将有利于您熟悉油烟机安全信息、操作和保养维修等，并让您享受到全新的下厨乐趣。

请您在使用前务必认真阅读说明书，并遵从说明书要求进行使用。本说明书的操作说明对于维持产品的良好工作状况十分重要，若因使用不当造成产品故障，您将失去免费保修的权利，任何直接或间接的免费保修申请将不被本公司各地授权的服务中心所接受。同时我们建议您在质量保修期内及保修期后，如有需要维修时请与方太公司当地授权的服务中心联系，这对您和我们都是非常重要的。

我们授权的服务中心将为您提供方太公司专业的零部件及技术支持，使您的产品得到优质快捷的维修保障，同时让您得到最轻松细心的服务。

如果您需要服务，您将需要提供产品型号和序列号。

方太美国分公司

* 地址：6 Campus Dr, Suite 210, Parsippany, NJ 07054

* 电话：888-315-0366

* 官网：us.fotileglobal.com

* 服务邮箱：serviceusa@fotile.com



FOTILE YouTube



美国微信客服

方太加拿大旗舰店

* 地址：8365 Woodbine Ave, Markham, L3R2P4

* 电话：844-315-0315

* 官网：ca.fotileglobal.com

* 服务邮箱：service@fotileca.com



加拿大微信公众号



加拿大微信客服

目录

警告和安全说明	2
使用方法	6
主要技术参数	6
使用说明	6
清洁保养	8
常见故障的识别和处理	9
安装	10
装箱单	10
安装警告	11
产品尺寸图	13
安装建议	14
安装步骤	15
安装后的调试	17
爆炸图	17

产品特征和参数会在无通知情况下随时更改，并且可能与此说明书略有不同。请访问方太官网获取最新信息。

警告和安全说明

为确保方太产品的安全和高效使用，请注意产品说明书中以下突出显示信息：

***警告**：标明如不遵守预防措施则可能导致严重人身伤害或死亡等危险。

***注意**：表示如不遵守指导说明则可能出现轻微人身伤害或产品损坏。

***重要**：强调非常重要的信息。

安全须知

请确保在使用产品前阅读此安全须知

请务必保留此安全须知信息

本产品仅限室内家用

为避免任何对油烟机的意外风险和损害，请在开始安装和使用前仔细阅读此产品说明书。只有这样您才能安全正确地操作此产品，降低火灾、电击或者人身伤害等风险。请保留此产品说明书，以供今后使用或后续用户使用。

警告

● 触电危险：

有缺陷的产品可能引起电击，绝不启动有缺陷的产品。如发现问题请将此产品从电源上拔下或切断总电源，并请联系方太授权的服务中心。

■ 此产品应使用专用电源插座，并且专用电源插座应有可靠接地，因为电源线中途连接、使用延长线以及多口配线器时易发生触电、插头插座发热以及火灾。请确保由专业电工在严格按照所在国家和地方的电力法规进行操作，接线以前，请先关闭电源并采取合理措施防止电源开关自动闭合。

■ 禁止使用 125V 以上的交流电，以免引起危险。

■ 禁止将此产品安装在浴室或湿度高的场所，这样容易造成触电。

■ 如果电源线损坏，请联系授权服务提供商或合格技术人员进行更换。

■ 请不要对电源线进行改制、拉伸结扣以及施加重物、挤压等，否则易导致电源线破损而发生触电和火灾。

■ 严禁电机、开关、接插件等电器部件沾水，禁止用水冲洗油烟机。油烟机被水淋湿后，请不要使用，如果使用会导致漏电、触电。

■ 禁止私自改动产品内部布线，否则有可能发生异常动作导致人体受伤。不当修理可能发生触电、火灾等危险。

■ 在清洗产品、提供安装或维修服务之前，必须切断电源，以免触电。

■ 请不要使用任何可能导致电击的高压清洁剂或蒸汽清洗器。

■ 请不要用潮湿的手触摸电源插头电器部件以及操作电源开关，否则易发生触电。

● 接地说明

■ 此产品必须接地。如果发生短路，接地可以降低电击的危险。此产品配有接地插头的电源线。插头必须插在合理安装并接地的电源插座上。

■ 本产品电源线插头应插到按照《CSA C22.1, Canadian Electrical Code, Part I.》这一标准规范的电源插座上。

■ 不合理接地会导致电击危险。

■ 如并未完全理解接地说明或者对产品是否已合理接地存在疑虑，请咨询合格电工。

■ 请不要使用延长线。如果电源线过短，请合格电工在产品附近安装电源插座。

● 火灾危险

■ 为降低火灾危险并合理排气，请优先外排。请不要将废气排到墙体、天花板、阁楼、窄小空间或车库中。

■ 如果不按本说明书规定的方法清洗，油烟机有起火的危险。

■ 热油和油脂会快速点燃，绝不让热油或油脂处于无人看管状态。

■ 油网中油脂沉淀物可能着火，请定期清洗油网。

■ 请勿在无油网的情况下操作此产品。

■ 油网中的油脂沉淀物可能着火，绝不在此产品附近使用明火。请不要在使用固体燃料（如木头或煤）的加热设备附近安装此产品。禁止有飘飞的火花。

■ 请避免在烟机下方使用会产生火焰的食品。

■ 为降低灶台油火风险：

1. 绝不使灶台表面的器具在无人看管下高档位运行。溢锅造成冒烟和可能起火的油脂外溢，请在低档或中档设置下缓慢加热油脂。

2. 烹饪时请总是开启烟机。

3. 烹饪产生的油脂可能分布在环境中，如地面、橱柜、油烟机表面和排烟管路等，请定期清洁降低起火风险。

4. 请使用合适尺寸的锅具。请总是使用与灶台表面的器具尺寸吻合的炊具。

■ 为降低灶烤一体机上方油火对人身伤害的危险，请遵守以下说明：

1. 用合身的锅盖、烤板或金属托盘扑灭火焰，然后关闭灶具。注意谨防烫伤。如果火焰未立即熄灭，请疏散并报火警。

2. 油锅着火时，请立即关闭油烟机（油烟机的运行会助燃火势）。立即采用有效的灭火措施，如用金属封盖盖住明火、关闭燃气总阀、使易燃物远离明火等。

3. 绝不拿起着火的锅具，您可能被烫伤。

4. 请勿用水，包括湿抹布或毛巾灭火，这样会导致猛烈的蒸汽喷发。

■ 仅在以下条件使用灭火器：

1. 当您上过基础的灭火器课程，并且已经知道如何操作；

2. 当火较小并且控制在火源处；

3. 当您已打火警电话；

4. 当您背向出口时可救火。

● 人身伤害危险


- 此产品不适用于（包括儿童在内）身体、感知或精神能力减弱或缺乏经验或知识的人群，除非在对其安全负责的人监督或指导如何安全使用此产品的情况下。孩童应受监管，确保其不玩弄此产品。
- 油烟机可能有非常锋利的边，在进行安装、清洁或修理时，谨防被油烟机内金属板快口等划伤和擦伤。应佩戴合格的防护手套。
- 操作中可触及部分会变得很烫。绝不触摸变烫的部分。保持儿童在安全距离以外。
- 请勿触摸已经开启或刚关闭不久的灯，以免烫伤。
- 油烟机叶轮运转时，禁止将手指或其他物品放入其中，以免造成伤害。
- 此产品不应和外部钟表计时器或遥控器配合使用。
- 不正确的维修很危险。仅合格的售后服务技师才可进行维修。
- 出现异常现象时，请关闭产品电源，拨下电源插头或者切断总电源，马上与方太授权的服务中心联系。异常状态下连续运转易发生触电、火灾等危险。
- 本产品可能会使您暴露于化学物质，加利福尼亚州已知该化学物质可致癌和出生缺陷或其他生殖危害。如需了解更多信息，请访问：www.P65Warnings.ca.gov

● 窒息危险：

- 包装材料对儿童有危险。绝不允许儿童玩弄包装材料，这可能会产生窒息事故，所以请让包装材料远离儿童，包装材料不是玩具。

● 死亡危险：

- 烟道倒灌有中毒危险。当此产品在排气模式下运行，同时依赖于房内空气的加热设备也在运行时，请总是确保屋内有充足空气保证充足燃烧和排气。请通过烟道（烟囱）排放废气，防止废气倒灌。因使用不当或误操作造成的伤害厂商不负责任。

注意 

- 若当地适用的法规包含更为严格的安装和认证要求，上述要求优先于此文档中相应的要求，并且安装人员同意遵守这些要求。
- 油烟机使用环境的温度不能超过104°F（40°C）。
- 请不要在此产品上放置任何物品，产品上放置的东西可能跌落或倾倒。例如把调料瓶放置在油烟机顶部，倾倒后可能造成液体流入产品内部，导致带电部件损坏，造成不必要风险。若因此造成的产品损坏，本公司不承担免费保修责任。
- 请及时清理油杯中的废油，防止溢出。油杯中所收集的废油请勿食用！请不要在油杯中放置易燃物，如保鲜膜、厨房纸等。
- 当在墙上或天花板上开凿或钻孔时，请注意不要损坏电线、水管、燃气管道以及其他隐藏的设备。
- 请遵照加热设备厂商的指导方针和安全标准，如美国消防协会，美国采暖、制冷和空调工程师协会和地方法规指定当局发布的指导方针和安全标准。同时要遵照消防等管理部门颁布的安全标准。当燃气灶在空烧时，会产生大量热量，安装在其上方的油烟机可能会受损或着火，请仅在有用锅具时操作燃气灶。
- 为避免任何可能对产品的损害，请确保实际电压和频率与本说明书中阐明的一致。
- 请确保使用我司提供的标准配件，以防油烟机意外跌落；墙上开的洞应精准符合膨胀管的尺寸，否则，油烟机可能松动跌落。
- 本公司产品上使用了钢化玻璃，玻璃的钢化机理决定这种玻璃存在极小概率的自爆。一旦发生非使用不当的自爆，我公司承诺免费提供该配件。钢化玻璃在以下情况，发生

破裂的几率可能会大大提高，请避免发生：例如用炊具或其他硬物敲击玻璃，特别是敲击玻璃四个角部；打开油烟机周围橱柜门时撞击到玻璃；玻璃处于过冷和过热、冷热交替严重的环境等情况。

● 擅自改装此产品会产生风险。

- 本设备已经过测试，符合FCC规则第15部分规定的B类数字设备限制。此类限制的目的在于，为预防住宅装置中的有害干扰提供合理保护。本设备可产生、使用并辐射射频能量，如不按照说明进行安装和使用，可能会对无线电通信造成有害干扰。然而，无法保证在特定安装中不发生干扰。如果本设备对无线电或电视接收造成了有害干扰（可通过关闭并打开设备来判定），建议用户尝试采取以下一种或多种措施，来纠正这种干扰：

● 重新定向或重新定位接收天线。

● 拉大设备和接收器之间的距离。

● 将设备连接到与接收器所连接电路不同的电路上的插座。

● 咨询经销商或经验丰富的无线电/电视技术人员寻求帮助。

● 本设备符合加拿大工业部免许可RSS标准。

操作需要符合以下两个条件：1. 本设备不会发射干扰信号。2. 本设备可以承受任何的干扰信号，包括可能导致设备意外启动的干扰信号。

重要 

- 本产品仅用于家庭室内使用，不可用于室外。仅按照制造商的方式使用本产品，若您在室外或特殊场合使用本产品，方太将不承担任何责任。如果您有任何问题，请联系方太授权的服务中心。
- 使用此新产品之前请开封检查此产品是否受损，如果发现此产品有明显的损坏，请勿安装使用，请您立即联系方太授权的服务中心。
- 请保持此油烟机远离石膏板粉末、建筑尘埃等物质。
- 请仅以本说明书指定的方式使用。请不要在无人看管情况下运行此产品。如有疑问，请联系方太授权的服务中心。
- 作为使用者，您对家中的油烟机负有清洁保养和正确使用责任。
- 根据实际条件清理金属油网。
- 油烟机电机有热过载功能，此功能在电机过热时会自动关闭电机，当电机冷却下来后会重新启动，如果电机不断关闭、重启，请联系方太授权的服务中心。
- 油烟机若长期不用，请拨下电源插头。
- 请确保此产品正确的安装和维修。此产品必须符合所有适用的规范和标准，包括防火建筑的规范和标准，由合格技师进行正确安装和接地。安装人员负责确保此产品在其安装位置正常工作。
- 请按照当地法律法规要求安装止逆阀。
- 仅用于一般排气使用。请不要使用此油烟机排放有害或爆炸性材料和气体。
- 产品自身不可燃。
- 为降低火灾危险，所有排烟管、烟道和设备应是不可燃的，请仅使用金属管道。绝不用可燃塑料或纸张覆盖油烟机。
- 保修服务须由方太公司认可的服务机构或人员执行。如私自拆机维修，产品将不享受保修。
- 请阅读油烟机上的规格标签，以便了解更多信息和要求。

- 如用户房屋密封，安装有大功率烟机，建议安装补充空气装置。方太油烟机的配置，建议密封性高的新房用户安装补充空气装置。如所属州或地区有相关法律规定要求，请遵守相关法律规定要求安装相应补充空气装置。
- 本产品仅限于美国和加拿大使用。

使用方法

主要技术参数

型号	EMG9050	
认证	ETL	
产品尺寸	宽度	35 1/4inches(895mm)
	深度	20 1/2inches(520mm)
	高度	25 5/8inches(600mm)
电压/频率	120V/60Hz	
整机功率	310W	
LED灯功率	5W	



使用说明

操作界面说明



功能按键说明

00 手势感应功能

挥手依次通过界面两端的感应窗口，开启/关闭吸油烟机；
(在关机状态下，同时按下 0 键和 00 键5秒，开启/关闭手势感应功能)

⏻ 电源

轻触 ⏻，进入待机状态，此时可操作其它按键

(2分钟内无其它按键操作，则自动关机)

风机在运行状态下，轻触 ⏻ 键，⏻ 图标闪烁，进入延时状态，5分钟后自动关机，如再轻触 ⏻ 键，则直接关机(延时关机过程中，如果轻触其它风量键，则退出延时)

以下按键只在电源键开启时有效

🌀 弱档

轻触 🌀 键，蝶翼板运行到中间位置，弱档运行，再轻触 🌀，风机停止运转；

🌀🌀 强档

轻触 🌀🌀 键，蝶翼板运行到最下方位置，强档运行，再轻触 🌀🌀，风机停止运转；

🌀🌀🌀 自动

轻触 🌀🌀🌀 键，吸油烟机进入自动巡航模式，吸油烟机根据当前油烟大小自动调整所需风量大小和蝶翼板升降位置，以达到本机最佳吸油烟效果；

长按 🌀🌀🌀 键2秒，🌀🌀🌀 键指示灯全亮，吸油烟机进入超强档运行，超强档运行1小时后进入自动巡航模式

🕒 自洁

轻触 🕒 键，进入清洁自洁模式，蝶翼板上升到最高位置，自洁功能持续30秒，运行时间会显示在数码屏上，自洁模式下，除 ⏻、0 和 🕒 外，其余按键无效，油烟机运行达20小时后，油烟机会有自洁提醒，🕒 图标亮起，提醒客户用自洁功能清洁，完成自洁后，🕒 图标熄灭；

🧼 拆洗

轻触 🧼 键，吸油烟机进入清洁保养模式，蝶翼板降到最低位置，再轻触 🧼 键，蝶翼板关闭，拆洗模式下，除 ⏻、0、🧼 外，其余按键无效；

💡 照明

轻触 💡 键，开启照明灯，再轻触 💡 键，关闭照明灯；

■ 关于吸油烟机与灶具一体控制的说明

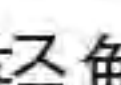
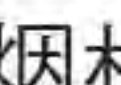

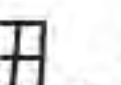


使用前提：

需同时购买方太吸油烟机EMG9050与具有烟灶联动功能的方太燃气灶具，就可以使用吸油烟机和灶具联动功能。

使用方法：

1.对码连接（实现联动之前需要进行吸油烟机和燃气灶具的对码连接）

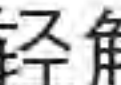


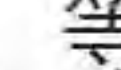
- (1) 吸油烟机和燃气灶具安装好并通电，同时确保灶具旋钮都处于关闭状态；
- (2) 轻触 ，启动吸油烟机，使其处于待机状态或工作状态，长按  照明灯键5秒，油烟机“嘀”一声，同时烟灶联动指示图标  闪烁，进入配对状态。在此状态下打开灶具旋钮，等待片刻，当油烟机“嘀”一声，同时  常亮，表示对码完成。

⚠ 注意：如果您的吸油烟机或灶具的电控板维修或更换，请重新对码，操作方法同上述。

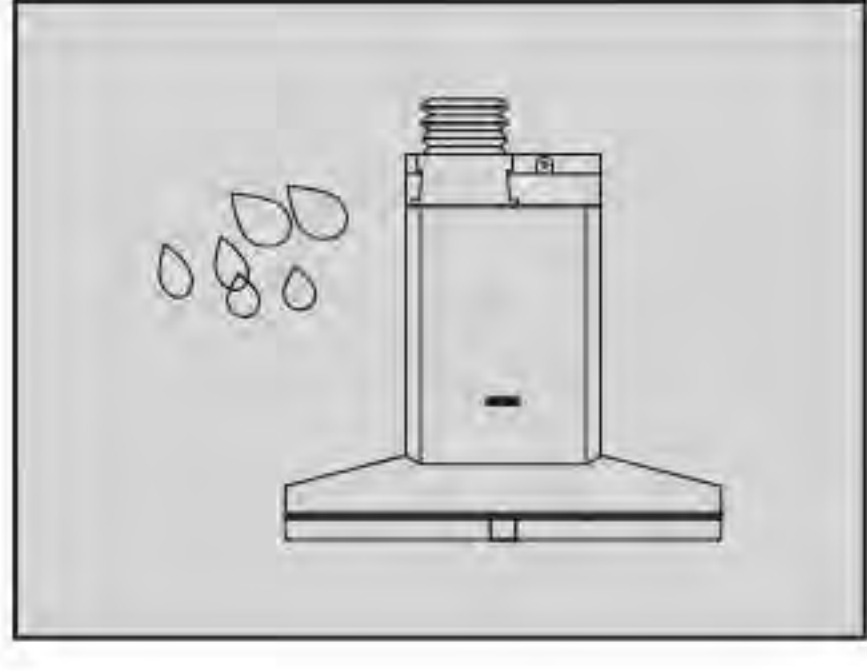
2.对码成功后，可以实现吸油烟机与燃气灶具的联动功能


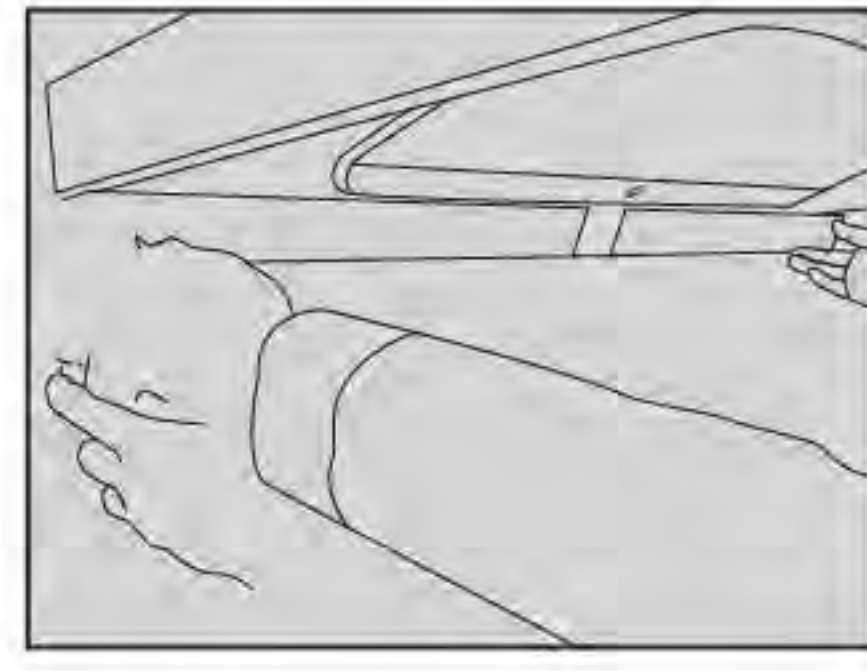
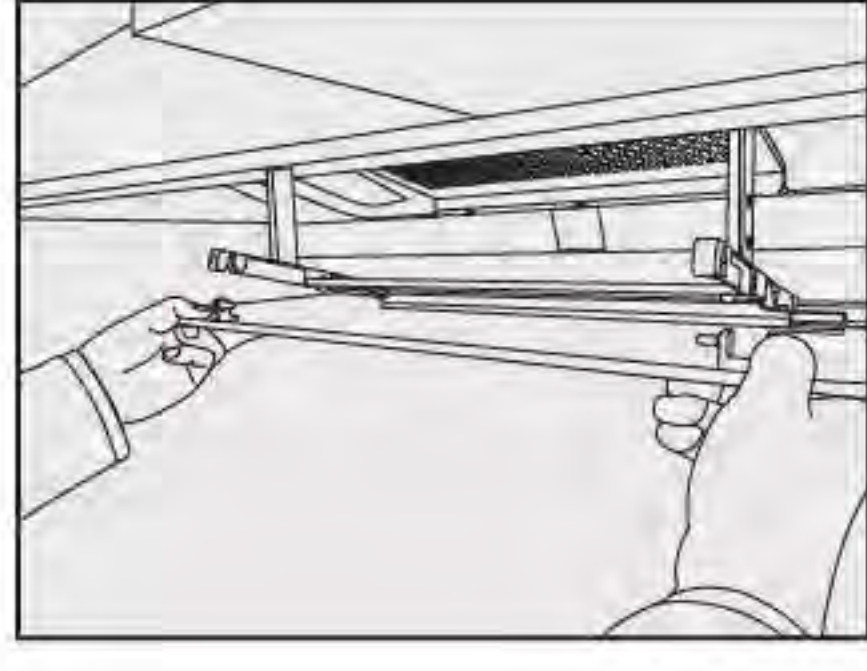
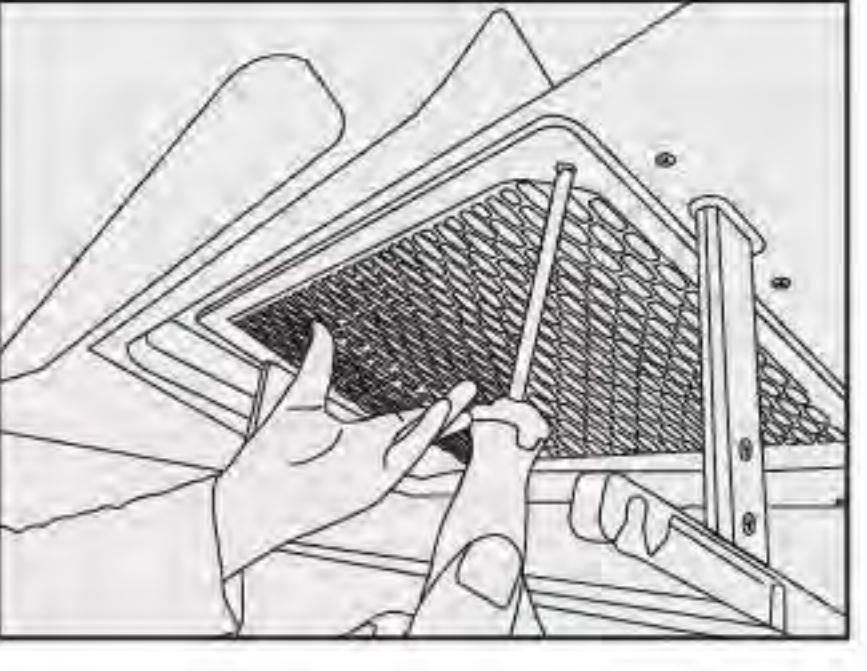
当燃气灶具点火后，吸油烟机自动开启，风机运行，同时照明灯开启；
当燃气灶具关闭后，吸油烟机进入延时状态，风机运行在弱档，5分钟后自动关机。

3.解除烟灶联动配对

- (1) 使吸油烟机和灶具通电，并确保灶具旋钮都处于关闭状态；
- (2) 轻触 ，启动吸油烟机，使其处于待机状态或工作状态，长按  照明灯键5秒，油烟机“嘀”一声，同时烟灶联动指示图标  闪烁，进入解除状态。在此状态下打开灶具旋钮，等待片刻，当油烟机“嘀 嘀”两声，同时  熄灭，表示解除完成。

清洁保养

	<p>1.进行清洁之前断开电源。</p>		<p>2.所有电子元件(包括电机和开关等)均需远离水源。</p>
	<p>3.请勿使用粗糙材料(例如钢丝球、刷子或粗布等)清洁产品表面。否则将严重划伤表面。</p>	 <p>中性清洁剂</p>	<p>4.请勿使用汽油、酸性物质、苯、溶剂和其他化学试剂进行清洁。如需清洁产品，请使用中性清洁剂并在清洁后使用软布将产品表面擦干。</p>

 <p>湿布</p>	<p>5.如不锈钢面板沾有含盐液体、消毒剂、漂白粉和其他清洁剂，请立即使用湿布将其擦净，然后使用干布将其擦干。</p>		<p>6.双手握住油杯两端使其保持水平状态，然后缓慢将其从吸油烟机前端旋出，取下油杯后倒出积油。</p>
		<p>7.第一，按拆洗模式键，蝶翼板下降到最低位置，双手抓住蝶翼板前沿，向下翻转，使蝶翼板卡扣脱离，同时再向下翻转一定角度，取下蝶翼板。第二，用左手拖住油网，右手用十字螺丝刀打开固定油网的两颗螺钉，取下油网。</p>	



- a.当清洁、维修吸油烟机前，务必先拔掉电源线插头，以免触电。
- b.每次使用吸油烟机后，请擦拭吸油烟机外表面、蝶翼环吸板和油杯。
- c.所用灯为LED灯：灯功率为5W，电压范围为9~10V，灯尺寸为宽度18 11/16"(474mm)/深度5/8"(15mm)/高度1 1/2"(37mm)。

常见故障的识别和处理


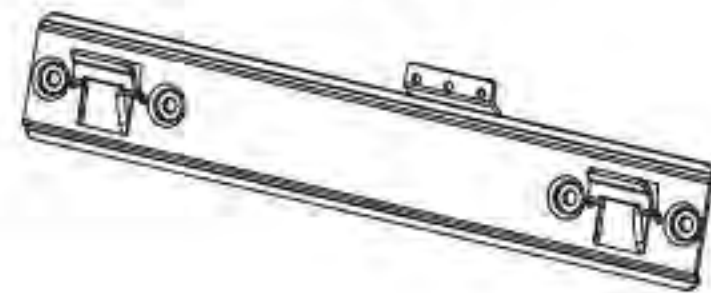
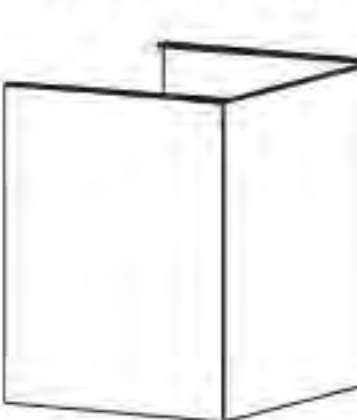

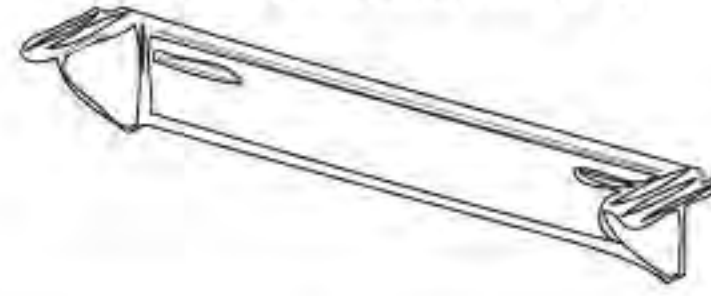



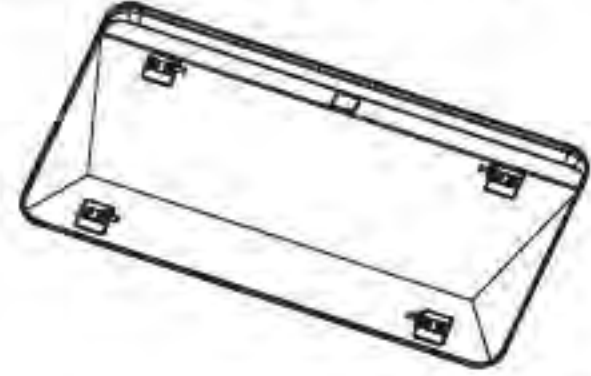
故障	可能原因	检修方法
按开关，吸油烟机不工作，LED灯不亮	未接通电源	检查电源插头是否插好
		检查插座是否有电
电机转动但LED灯不亮	LED灯损坏	更换LED灯 (本项必须由专业人员进行)
有机械振动噪声	螺钉松动	检查吸油烟机表面螺钉是否拧紧
吸力不强	吸油烟机与灶面的安装距离太大	降低吸油烟机的安装高度 (本项必须由专业人员进行)
	吸油烟机周围环境门窗通风太多，对流太大	关闭部分门窗



- a.更换LED灯，请联系方太授权的服务中心。
- b.上述故障排除后，吸油烟机仍不能正常工作，请联系方太授权的服务中心。
- c.保修期内保修需提供以下信息：
 - 1. 购买日期 2. 产品型号 3. 序列号 4. 购买相关凭证
- d.其他人员不得擅自维修吸油烟机，以免造成严重后果，而且产品将不享受保修服务。
- e.以下情况不提供保修服务：
 - 1. 用户搬运、安装、使用、维护、保管不当而损坏的。
 - 2. 超出正常使用条件，强行使用本产品造成的故障和损伤。
 - 3. 自行或非方太指定服务人员或服务机构安装和拆修的产品。
 - 4. 购买凭证和保修卡信息与产品不符的。
 - 5. 因不可抗力造成产品损坏的（如自然灾害、战争等）。
 - 6. 不根据“使用说明书”的规定使用，造成产品故障或损伤的。

安装

装箱单

标准配置	
整机 	1
挂钩 	1
装饰罩 	1
油杯 	1
装饰罩挂钩 	1
金属密封垫 	1
使用说明书 	1
保修卡 	1
蝶翼板组件 	1

标准配置	
金属出风罩 	1
瓷砖膨胀管 Φ1/4"×1 5/16"(Φ5.3×32mm) 	6
灰板膨胀管 Φ3/16"×1 5/8"(Φ4×40mm) 	6
挂钩螺钉 #8×1 7/16"(ST4.2×36mm) 	6
木螺钉 #10×2 9/16"(ST5×65mm) 	4
十字槽盘头自攻锁紧螺钉 #8×1/ 2"(M4×12mm) 	8
十字槽盘头自攻锁紧螺钉 #4×3/4"(ST2.9×19mm)镀锌 	2
十字槽大扁头自攻锁紧螺钉 #8×3/8"(M4×8mm) 镀锌 	2

安装警告

为确保方太产品的安全和高效使用，请注意产品说明书中以下突出显示信息：

警告：标明如不遵守预防措施则可能导致严重人身伤害或死亡等危险。

注意：表示如不遵守指导说明则可能出现轻微人身伤害或产品损坏。

重要：强调非常重要的信息。

安全须知

请确保在使用产品前阅读此安全须知

请务必保留此安全须知信息

本产品仅限室内家用

警告 

● 为降低火灾、电击或人身伤害危险，请注意以下事项：


- 油烟机的安装以及电路的设置必须要由有经验的专业人员进行，非专业人员请勿安装。在安装时要遵守所有相关的法规、标准，包括与火灾有关的说明。正确安装是安装人员的责任。由于安装不当导致的产品故障不包括在方太保修范围内。
- 为确保安全和安装顺利，请使用随机附件进行安装；安装膨胀管时，膨胀管与墙孔的配合一定要紧密，严禁钻孔过大，以免膨胀管松动，造成意外跌落！
- 油烟机应使用专用电源插座，并且专用电源插座应有可靠接地。因电源线中途连接、使用延长线以及多口配线器时易发生触电、插头插座发热以及火灾。装电线前请切断电源，请确保采取合理措施避免意外电源接通。
- 安装时不能接通电，应在主电源箱中关闭电源。如果电源线损坏，必须由制造厂商或其服务代理提供的单独特配电源线或套件进行替换。
- 用户自行安装易发生触电、脱落、起火等危险。非专业人员请勿拆卸、安装及维修油烟机。

● 人身伤害危险：

- 在移动油烟机进行安装、清洁或者修理前，务必切断电源，以免触电。
- 油烟机可能有非常锋利的边，在进行安装、清洁或修理时，应佩戴合格的防护手套，以防被油烟机内金属板快口等划伤和擦伤。

● 安装前的警告：

- 为了不对油烟机造成损害，请确保不要让杂物等进入排风口。
- 直线、较短的出风管布置将使得油烟机的排烟更加顺畅。
- 尽量避免使用过长以及有较多弯道的出风管，使用这些管道将影响油烟机的排烟效果。
- 出风管与墙孔的连接处使用管道胶严格进行密封。必须确保出风管与出风罩连接牢固，并用铝箔胶带密封。
- 墙洞过小会影响排烟效果，在保证安全的前提下，建议扩孔至6"(150mm)或以上。
- 本产品上使用的都为公制尺寸螺钉，请不要随意使用不符合规格要求的螺钉。

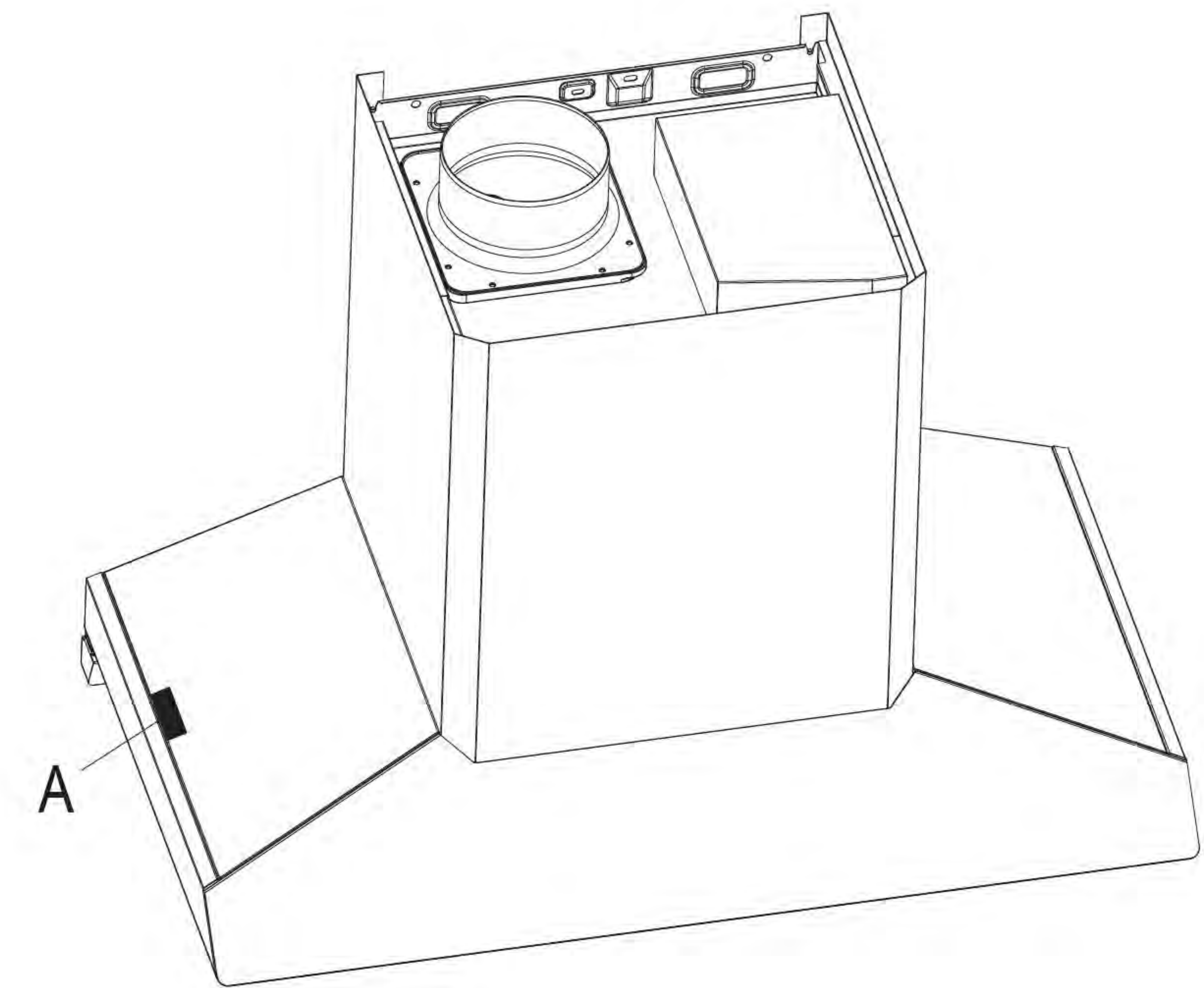
注意 

● 在安装以前，请仔细阅读所有的说明。特别请注意以下事项：

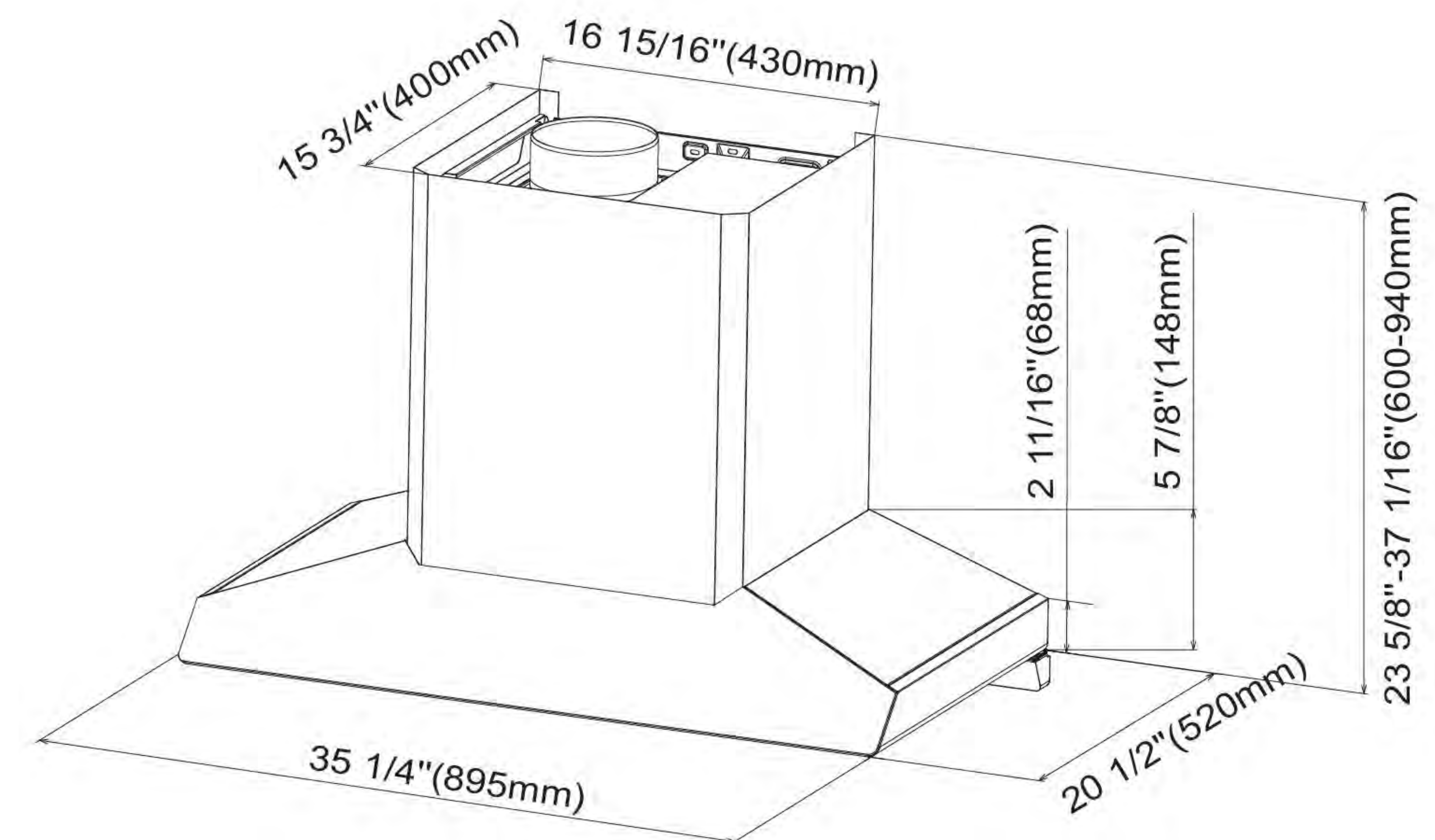
- 如果您正在对您的厨房进行装修，请勿将油烟机暴露在外。因为建筑材料、灰尘、油漆、涂料以及它们所挥发的气体，会使油烟机表面产生腐蚀以及失去光泽。建议在厨房装修完毕后再安装油烟机。
- 如果在安装油烟机前，需要移动燃气灶，则在移动燃气灶之前，请先关闭燃气总阀门。
- 油烟机排出的废气不能排放到用于排出燃烧燃气或其他燃料的烟雾使用的热烟道中。
- 因油烟机的尺寸较大和重量较重，建议两位安装人员安装。由于本油烟机的安装程序复杂，因此需要专业安装维修人员按照此说明书进行安装。
- 产品固定后，插头应在可接触位置。
- 安装时须保证机身水平。
- 安装完毕，请确认油烟机运转无异常现象。

重要 

- 请在安装前阅读所有安装指导，保存此说明书以备当地巡检参考和日后参阅。
- 此产品安装必须遵守国家电力法，也要遵守各个州、市政和地方的法规。
- 请为此产品配备合适的断路器，并在安装时将产品可靠接地。
- 必须根据产品铭牌上提供的电压、频率和安培给产品配备合适的电压、频率和安培额定值。
- 此安装必须由方太授权的服务中心或其认可的安装人员完成。
- 安装油烟机前请记录下产品型号和序列号。产品型号和序列号请参考以下图示A说明。



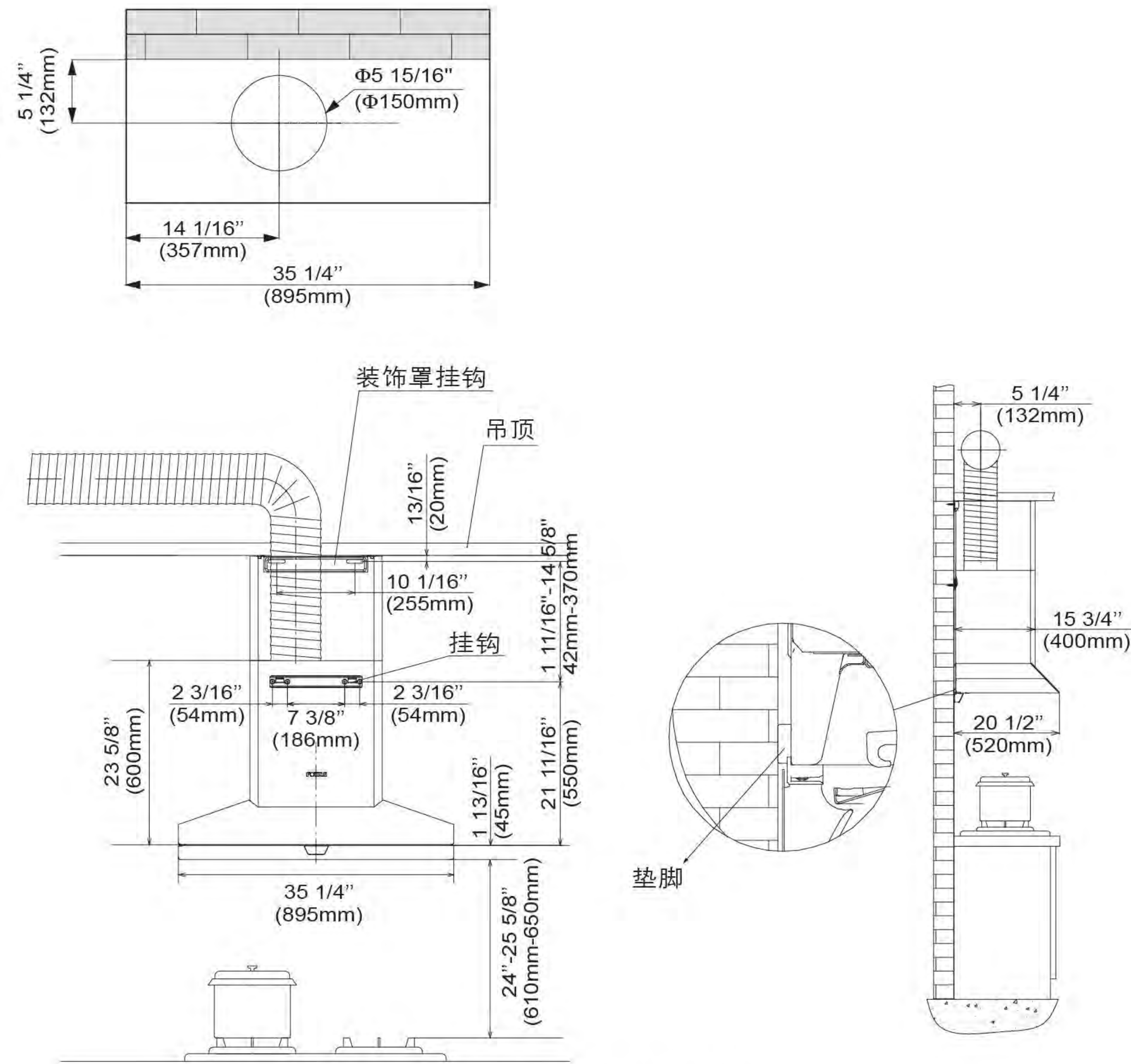
产品尺寸图




产品基本尺寸

安装建议

■ 吸油烟机安装示意图



安装示意图 (★表示到墙的距离)

 吸油烟机的安装高度（即炉灶上烹饪器具的支承面与吸油烟机最低部位的距离）不得低于24"（610mm）。如燃气炉灶安装说明规定了较大的安装距离则对此应予以考虑。为保证吸油烟效果，请在推荐安装高度内安装吸油烟机。若实际安装高度超过推荐安装高度，则产品的吸油烟效果可能会受到一定影响。如所属地区有相关法律规定油烟机安装高度，建议遵守相关法律。

■ 安装前的准备工作

1. 警告：为了不对吸油烟机造成损害，请确保不要让杂物等进入排风口。估算吸油烟机通到室外的出风管的位置，参见安装示意图。一个直线的、较短的出风管将使得吸油烟机的排烟更加顺畅。出风管与墙孔的连接处使用管道胶带严格进行密封。必须确保出风管与出风罩连接牢固。墙洞过小会影响排烟效果，在保证安全的前提下，建议扩孔至出风管尺寸。

2. 工具准备

- 安装本吸油烟机应具备以下工具（包括并不限于以下工具）：
- (1) 冲击电钻(带钻头Φ3/8"(Φ8mm))
 - (2) 十字螺丝刀
 - (3) 卷尺
 - (4) 水平尺

安装步骤

1. 冲击电钻应配备Φ3/8"(Φ8mm)冲击钻头备用。
2. 包装箱内抬出整机，拧下油烟机背部固定风机外罩的4颗螺钉，取下风机外罩和装饰罩。
3. 如安装示意图所示，在坚实的墙壁上准确确定冲击钻钻孔的位置，钻孔并牢固埋设膨胀管，固定挂钩和装饰罩挂钩，旋入#10×2 9/16"(ST5×65mm)木螺钉拧紧；装饰罩挂钩前端可用2颗#4×3/4"(ST2.9×19mm)十字槽自攻锁紧螺钉加强固定到吊顶上（如图1和图2所示）。
4. 如图3所示，用8颗#8×1/2"(M4×12mm)出风罩螺钉将出风罩及密封圈固定在主机顶部上。
5. 将出风管固定在出风罩上，用铝箔胶带缠绕密封（如图3所示）。检查管壁不鼓不瘪，弯角自如，出风管与墙壁间密封严密以防倒烟。
6. 牢挂主机，正视一不歪不斜，侧视一机体贴墙面，与墙壁间略有缝隙。

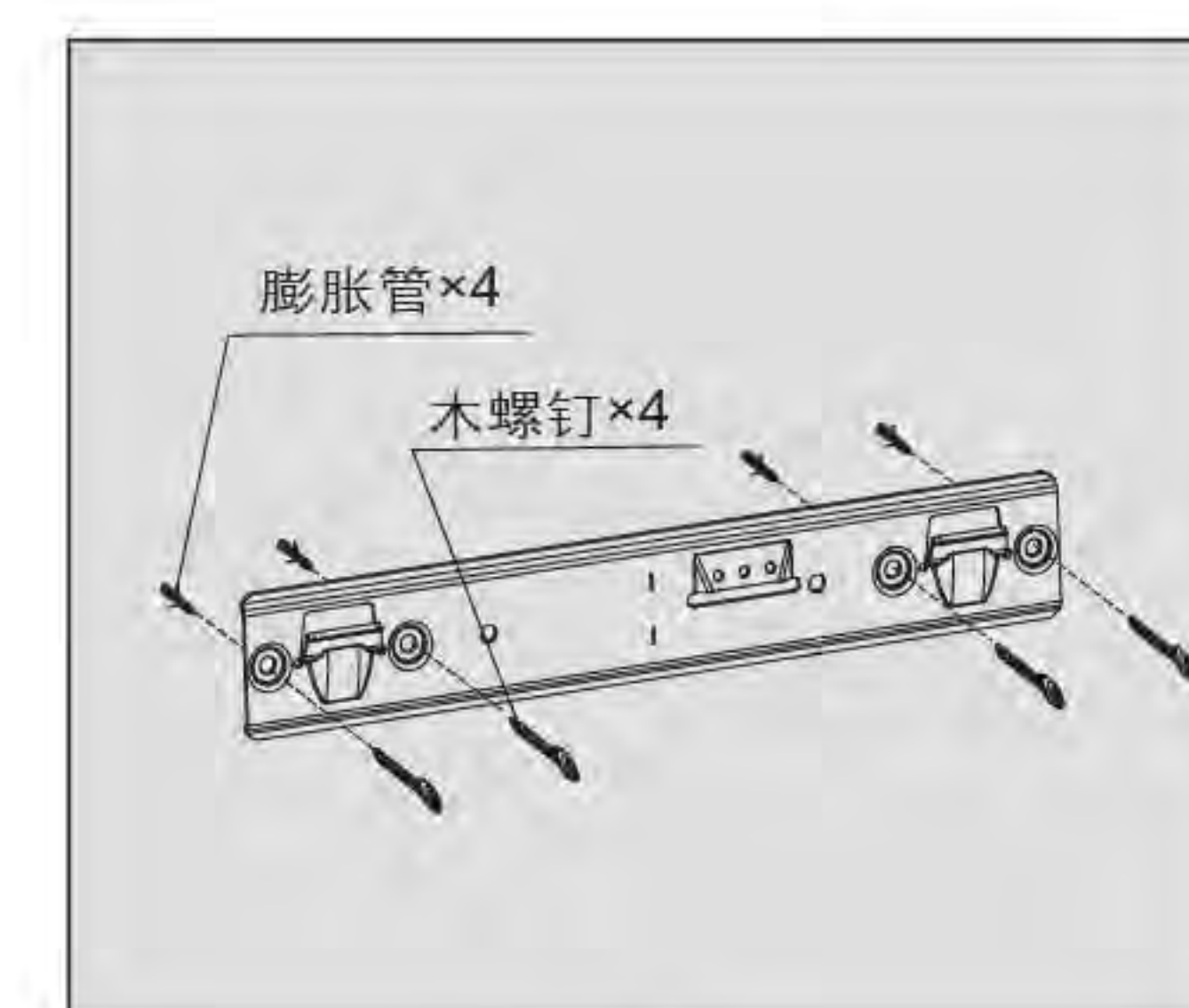
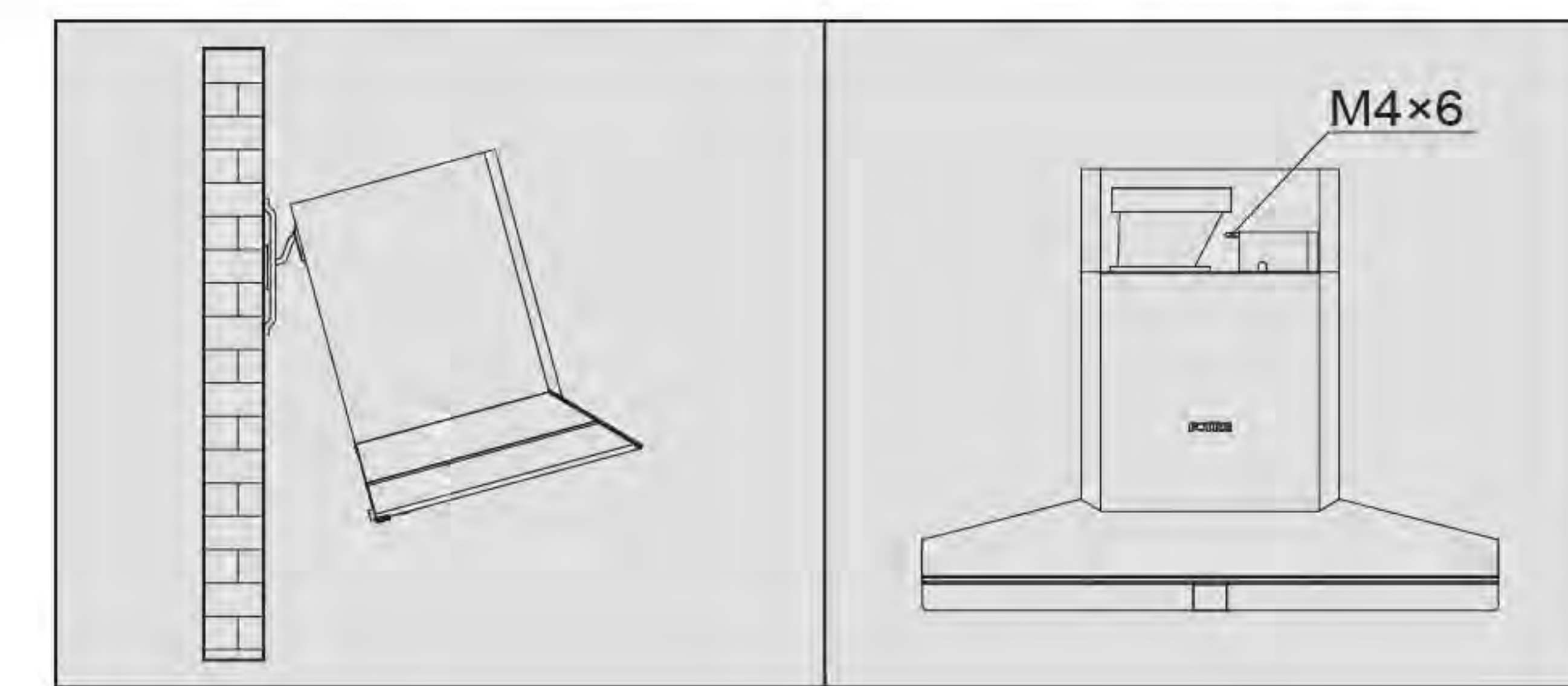
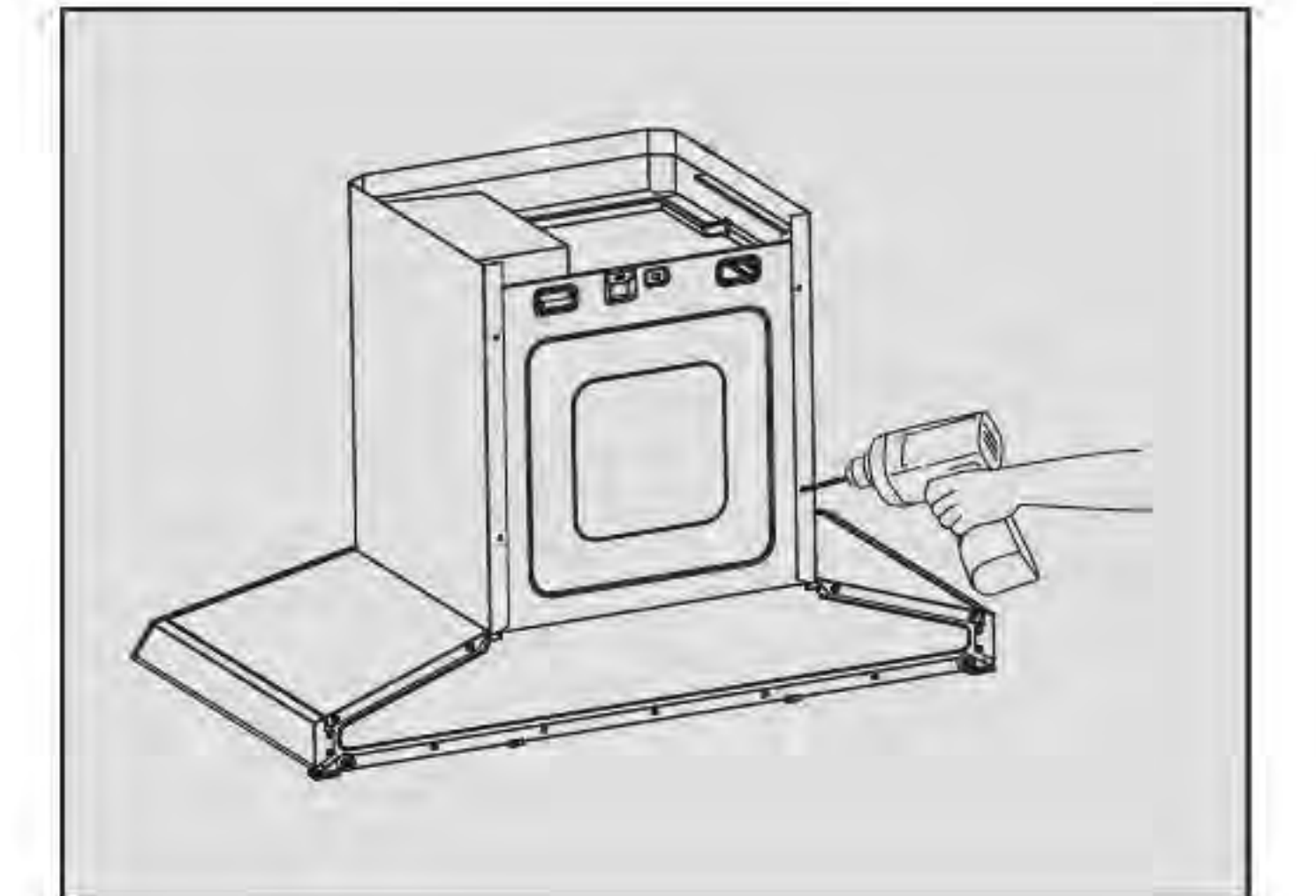


图1

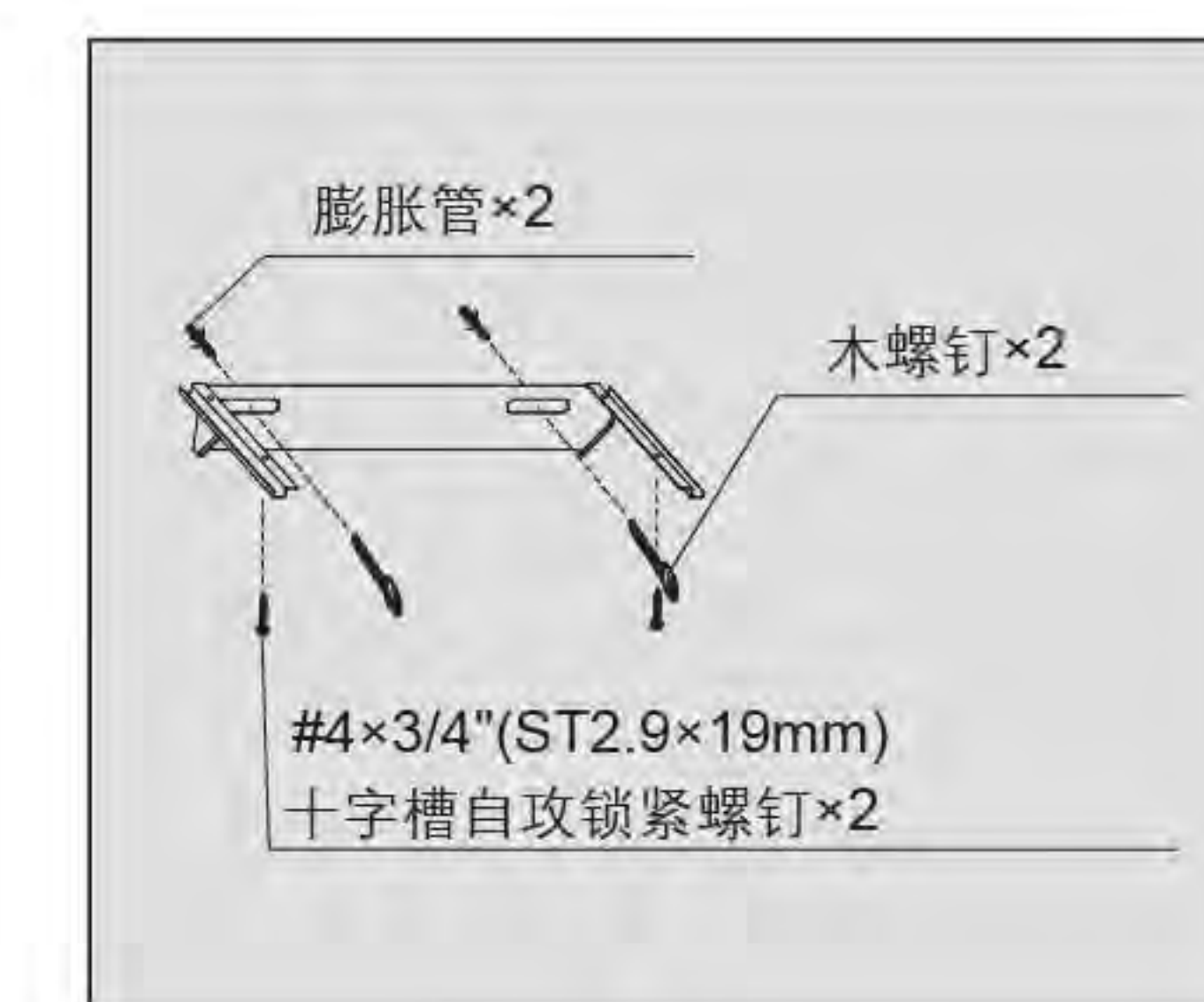


图2

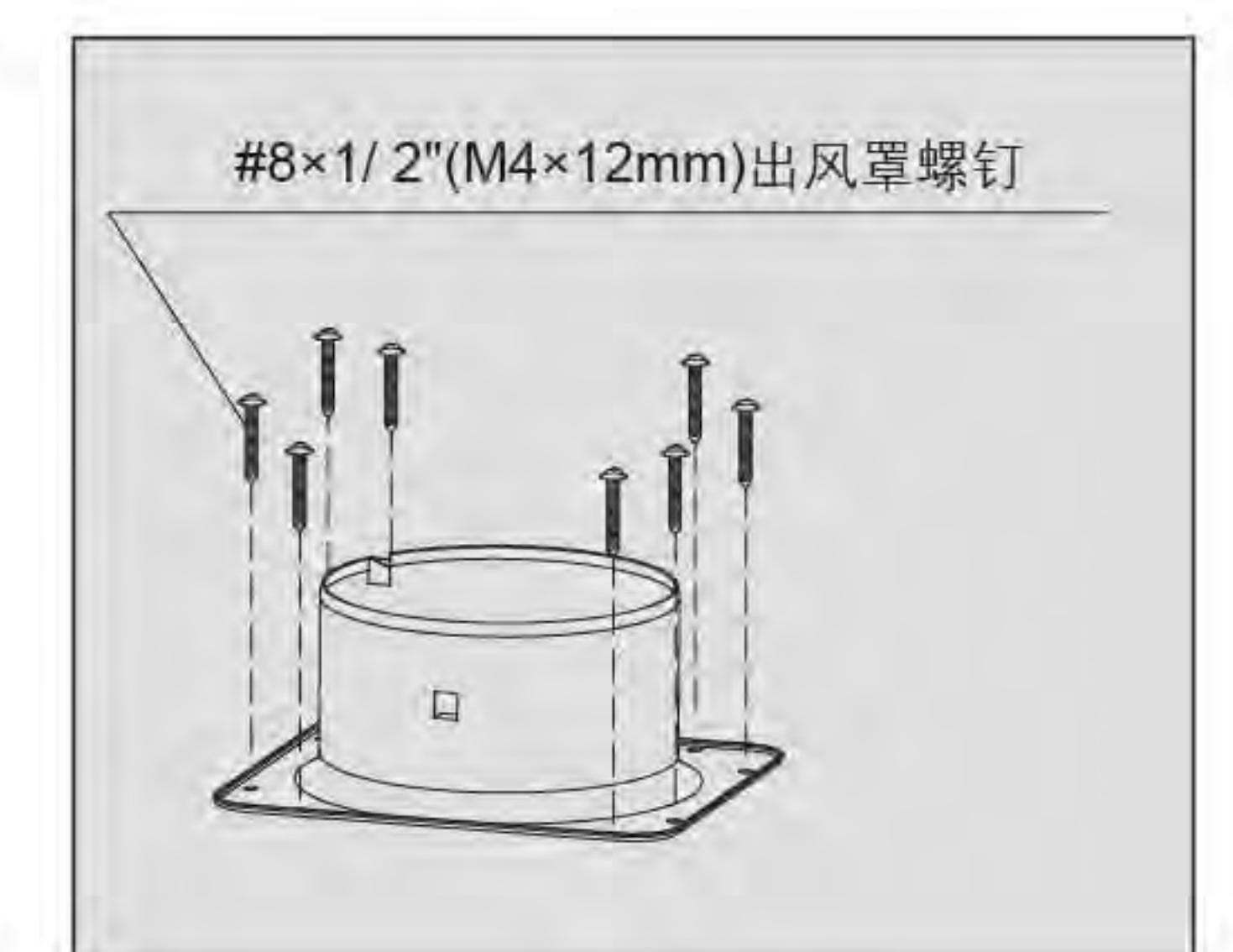


图3

7. 将主机电源插头插入电源插座。

8. 风机外罩、装饰罩安装（如图4所示）：

- (1) 撕膜：撕掉风机外罩和装饰罩的保护膜并将之前拆卸下的2颗#8×3/8"(M4×8mm)螺钉固定到风机外罩最上面的2个螺钉孔上，不要拧四，保留1/8"(3mm)间隙（注意戴上防护手套）；
- (2) 将装饰罩放入风机外罩；

(3)把风机外罩、装饰罩同时拿起，先把装饰罩卡入装饰罩挂钩内，然后同时将装饰罩、风机外罩沿装饰罩挂钩组件推到底；

(4)把装饰罩、风机外罩推到底后，风机外罩缓缓滑下来，将风机外罩卡扣卡入风机架，然后将风机外罩插入顶板与风机架的间隙内。

9. 安装蝶翼板和油杯：

(1)双手握住油杯底部两端，把油杯装入集烟罩底部的油杯挂钩上。

(2)按拆洗模式键，蝶翼板挂架下降到最低位置，双手拿住蝶翼板前侧，将蝶翼板后侧的左右挂钩挂入蝶翼板挂架内，然后向上翻转，将蝶翼板卡扣扣入蝶翼板挂架内。

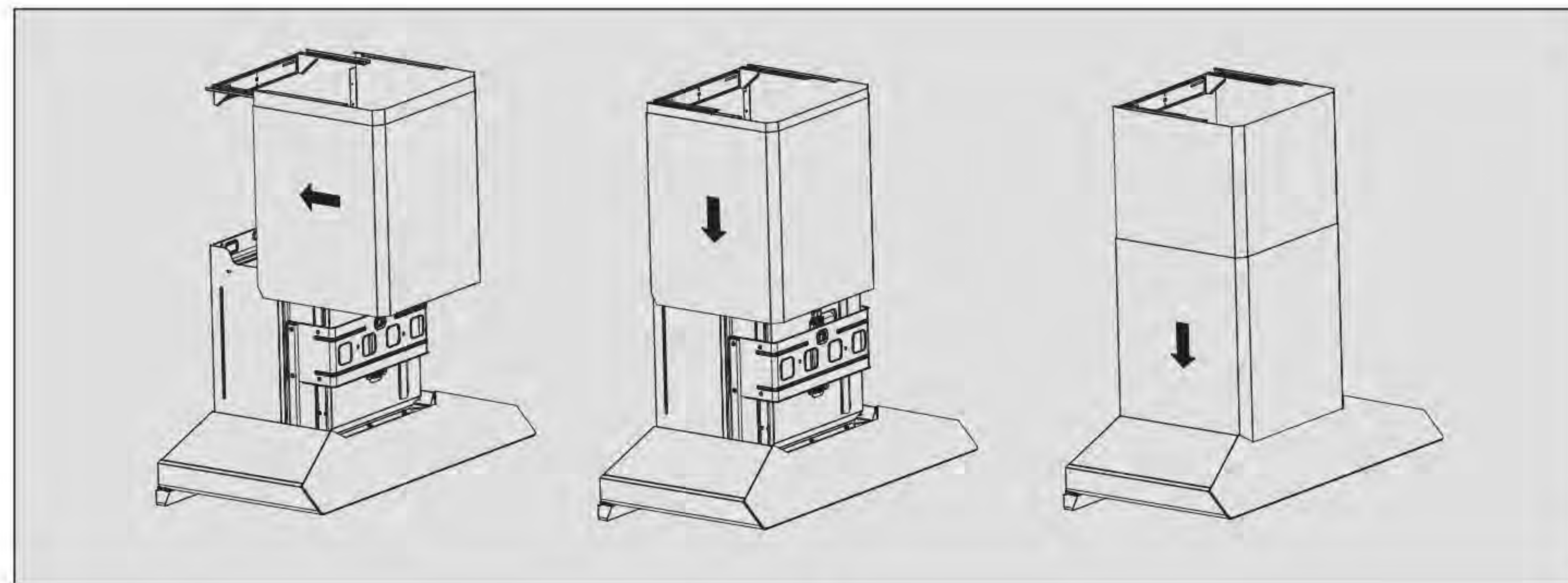
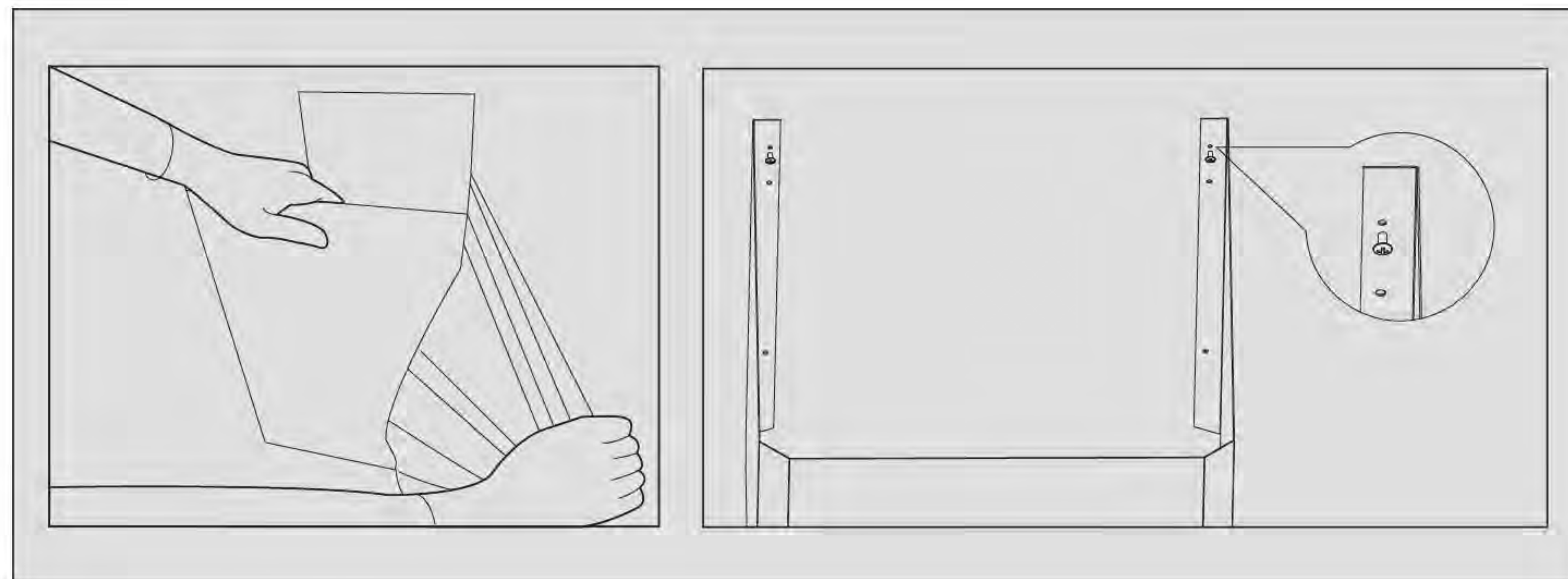


图4

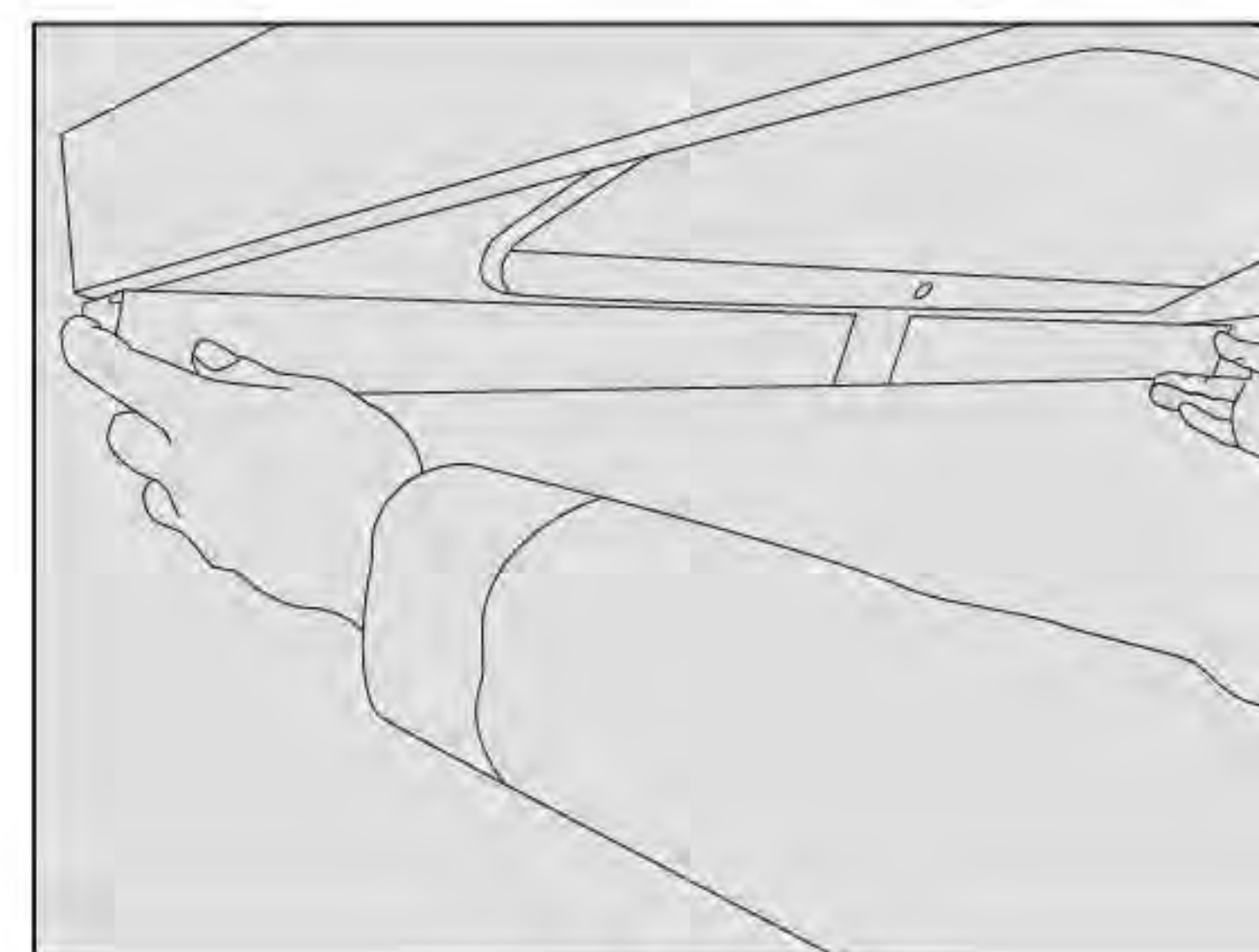


图5

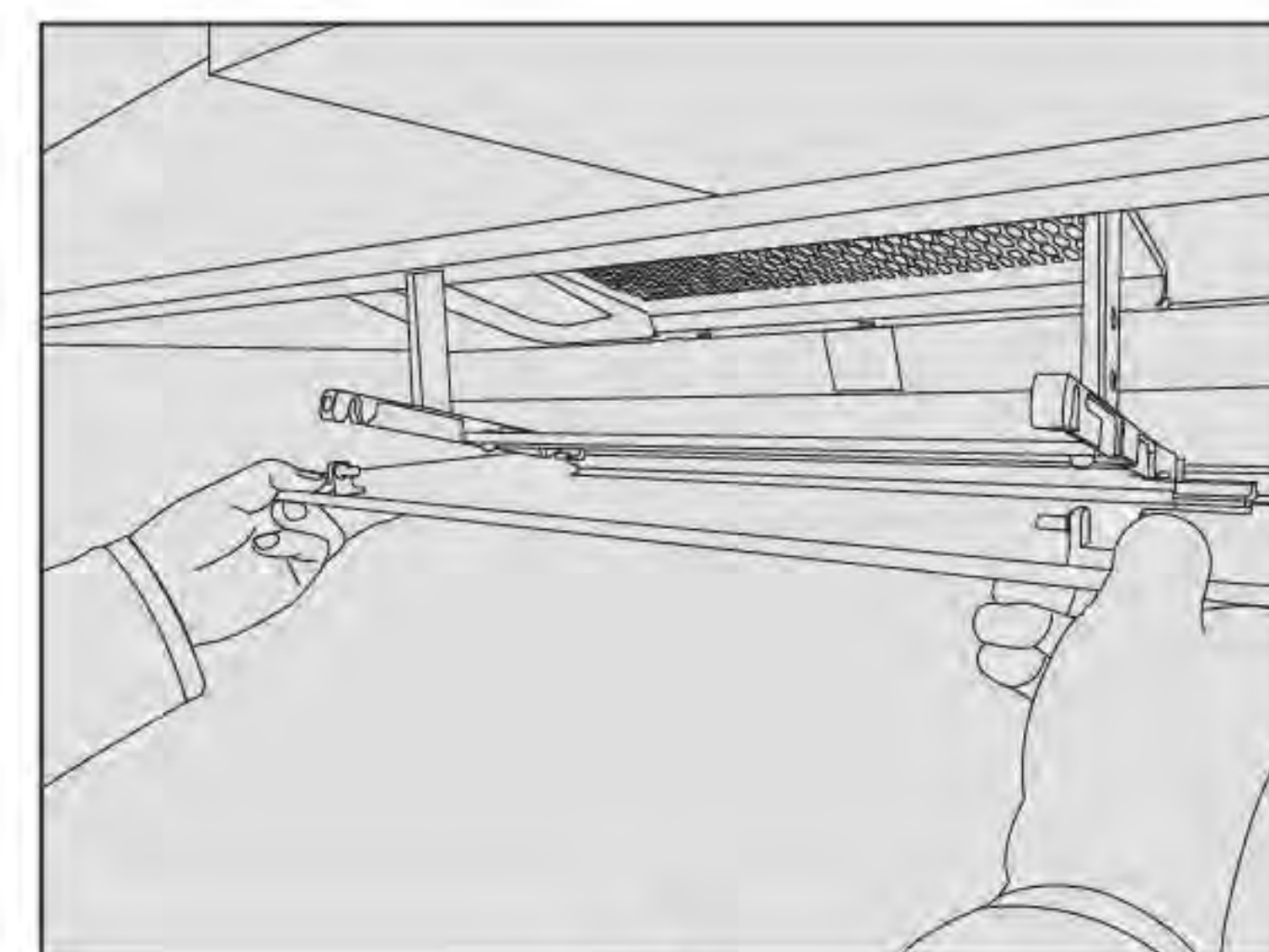


图6



- a. 安装前先取下风机外罩；
- b. 若与橱柜配合安装，步骤4与步骤5互换；
- c. 根据钻孔地方的具体情况选定钻头。

安装后的调试

1. 装上油杯；
2. 将主机电源插入电源插座；
3. 轻触 键，再轻触 键，检查照明是否正常；
4. 轻触 键或 键或 键，检测电机转动是否正常，蝶翼板是否正常升降，如出现下列异常情况，应立即切断电源，停止运转，并检查是否安装缘故（若确定吸油烟机发生故障请致电方太幸福服务热线）
 - (1) 机体震动剧烈
 - (2) 膨胀管松动
 - (3) 叶轮不转动
 - (4) 叶轮转动时明显的摩擦声
 - (5) 电机出现异常声响
5. 轻触 键， 图标闪烁，进入延时状态，5分钟后自动关机，如再轻触 键，则直接关机。
 - (1) 如果电源软线损坏，为了避免危险，必须由制造商、其维修部或类似部门的专业人员更换；
 - (2) 当吸油烟机与燃烧燃气或其他燃料的炉灶同时使用时，房间必须通风良好。

正确处理产品



此标记表示本产品不应与其他家庭垃圾一起处理。为防止不合理的废品处理可能会对环境或人类健康造成危害，需要对本产品合理回收利用，以促进材料、资源的可持续利用发展。如您需要退回使用过的机器，请使用回收采集系统或联系相关零售商，他们会把机器环保、安全的回收利用。

爆炸图

