

EMG7508

30-in Perimeter Series Range Hood

FOTILE
A BREATH OF FRESH ENGINEERING®



Specifications

Style and Design

Material	Tempered Glass & Stainless Steel
Color	Black
Installation	Wall Mount
Operation	Motion + Touch
Screen Lock	Yes
Delay Shutoff	2 min
Illumination (W)	3W x 2 (LED)
Grease Cup	Integrated with Capture Shield Plate
Grease Filter	Removable & Dishwasher Safe

Performance

Motor	DC Motors
Speed Setting	4
Max Equiv. CFM	1200CFM**
Noise Level (dB)	37 / 46.4 / 52.5 / 57.2
Grease Filtration Rate	95%
Odor Reduction Rate	97%

Technical Specs

Wattage (W)	290W
Power Supply (V/Hz)	120V/60Hz
Vertical Duct	6" Round

Warranty Summary

Labor	2 Years
Parts	5 Years (Limited)
Motor	Lifetime (Limited)

Main Features

Capture Shield Technology

Optimizing with the Coanda Effect for accelerated and even smoke extraction, the range hood covers 5-6 burners, ensuring efficient ventilation in a quiet cooking environment.

Motion Activation

Effortlessly control the range hood with a simple wave, offering convenience and a modern touch to your kitchen.

DC Motor with 1200 Max Equiv. CFM

A rapid rotation speed of up to 100,000 revolutions per hour, outperforming traditional AC motors by 1.8 times and refreshing your kitchen air in under 40 seconds.

Integrated Oil Cup Design

Streamline cleaning with an integrated capture shield and oil cup. Enjoy hassle-free oil management that prevents drips, ensuring a cleaner, organized cooking space with extended cleaning frequencies for peace of mind.

Delay Shut Off

This smart feature runs the range hood for 2 minutes post-cooking, ensuring complete removal of lingering smoke or odors for a fresh kitchen environment.



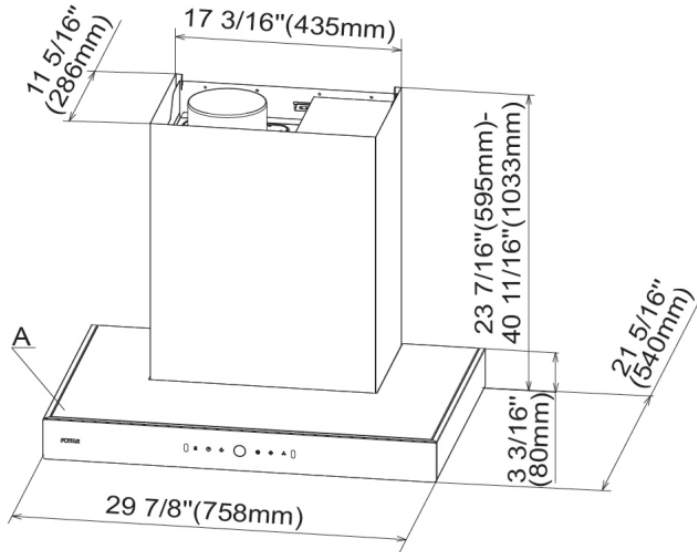
**FOTILE Equivalent CFM is a higher CFM rating due to our filterless technology that combines WhisPower Motors and Capture-Shield design. By utilizing this technology, FOTILE applies the Coanda Effect by accelerating smoke extraction and grease separation, and increasing our Capture Efficiency. This enables FOTILE to cover a larger cooktop surface (6 sq.ft.) and achieve a 95% oil filtration rate, and 97% odor reduction rate, keeping your kitchen smoke free and smelling fresh.

EMG7508

30-in Perimeter Series Range Hood

FOTILE
A BREATH OF FRESH ENGINEERING®

Product Dimensions



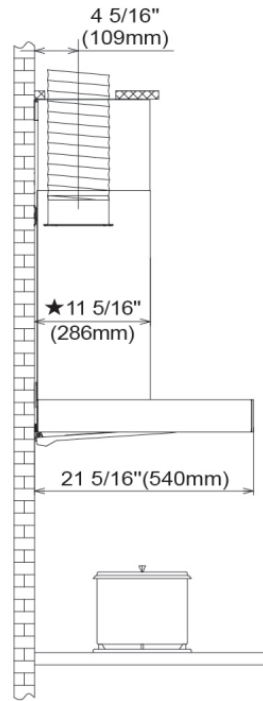
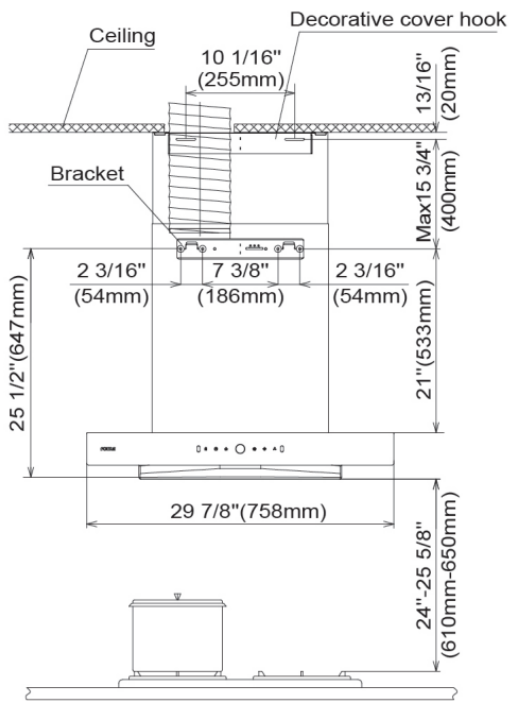
Product Dimension / Weight	
Overall Width (inches)	29 7/8"
Overall Height (inches)	23 7/16"
Overall Depth (inches)	21 5/16"
Net Weight (approx.)	75 lbs.
Gross Weight (approx.)	60 2/5 lbs.

Accessories (Optional)	
Ceiling Decorative Cover	8' / 9' / 10'

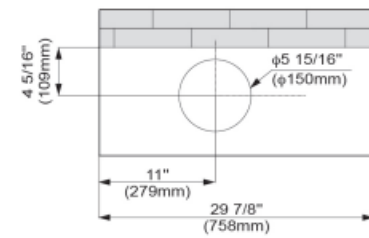


Extension decorative cover for wall-mount installation, suitable for 8-10ft ceilings

Installation Dimensions



Opening size of the top cupboard or ceiling:



Hood Diagram Installation

Wall-Mount Installation

Accessories: To purchase FOTILE accessories and parts, please visit us at us.fotileglobal.com or call 1(888) 315-0366.

Notes: All height, width, and depth dimensions are shown in inches. FOTILE reserves the absolute and unrestricted right to change product materials and specifications at any time without notice. Consult the product's installation instructions for final dimensional data and other details prior to installation.

Warranties: Please see the user manual or FOTILE website for the statement of limited warranty.

For more information on our entire line of products: visit us.fotileglobal.com or call 1(888) 315-0366.

©2023 FOTILE America LLC. All rights reserved. FOTILE is a registered trademark of FOTILE Group.