



### 30" Front Control Freestanding Gas Range

#### Gas Range

Available Products: ECFG3068AS

Available Colors: Stainless Steel

Version: 02/23

## Product Specifications

### Cooktop

Cooking Surface Type	Gas
Grate Material	Cast Iron
Grate Quantity	3
Grate Style	Continuous
Sealed Burners	Yes

### Cooking Controls

Bake	Yes
Bread Proof	Yes
Broil	Yes
Child Lock	Yes
Convection Bake	Yes
Convection Roast	Yes
Cook Time	Yes
Delay Start	Yes
Keep Warm	Yes
Kitchen Timer	Yes
Probe	Yes
Self Clean	No
Temperature Display	Yes

### Controls

Sabbath Mode	No
--------------	----

### Dimensions and Volume

Minimum Height	35 3/8"
Maximum Height	36 5/8"
Width	29 15/16"
Depth	25 7/8"
Depth With Door 90° Open	46 11/16"
Oven Interior Height	17 3/8"
Oven Interior Width	24 5/16"
Oven Interior Depth	18 7/16"
Oven Capacity	4.5 Cu. Ft.

### Installation

Adjustable Leveling Legs	Yes
LP Conversion Kit Included	Yes
Plinth	Yes
Included Power Cord Type	3-Prong Plug

### Certifications and Approvals

ADA Compliant	Yes
---------------	-----

### Cooktop Performance

Right Front Element Burner	18,000 / 750 BTU Dual
Right Rear Element Burner	12,000 / 3,000 BTU
Left Front Element Burner	18,000 / 750 BTU Dual
Left Rear Element Burner	12,000 / 3,000 BTU
Center Element Burner	10,000 BTU

### Oven

Bake Element	17,000 BTU
Bake Element Type	Hidden
Broil Element	11,500 BTU
Broil System	Yes
Convection	Yes
Convection Element	1,000 Watts
Convection Type	True
Number of Convection Fans	1
Number of Rack Positions	6
Oven Interior Color	Gray
Oven Light Quantity	2
Oven Light Type	Halogen
Oven Light Watts	40 Watts
Rack Type 1	Glide
Rack Type 1 Quantity	1
Rack Type 2	Flat
Rack Type 2 Quantity	2
Window Type	Large

### Display

Control Location	Front
Display Light Color	White
Display Type	LED

### Electrical Specifications

Amps @ 120 Volts	9.2 Amps
Connected Load @ 120V	1.1 kW
Minimum Circuit Required	15 Amps

### General Specifications

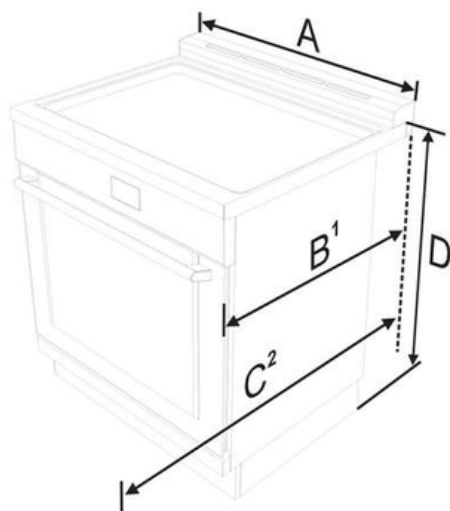
Prop 65 Label	Yes
Warranty - Labor	1 Year
Warranty - Parts	1 Year

**Safety Certifications and Approvals**

CSA Listed	Yes
RoHS	Yes

**Installation Diagram**

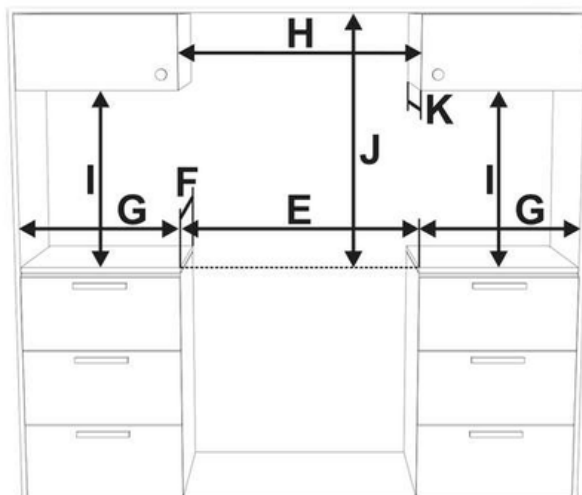
**Product Dimensions**



<b>A</b>	760 mm	29" 15/16"
<b>B<sup>1</sup></b>	min: 654 mm max: 658 mm	min: 25 3/4" max: 25 14/16"
<b>C<sup>2</sup></b>	1186 mm	46 11/16"
<b>D</b>	min: 898 mm max: 930 mm	min: 35 6/16" max: 36 5/8"

1. Measurement **B** varies according to the type of installation: the minimum is obtained without the rear spacers (see "Island installation") and the maximum is obtained for traditional installation (slide-in installation - with the rear spacers).
2. Measurement **C** refers to the open door.

**Cabinet clearances**



<b>E</b>	min. 762 mm	min. 30"
<b>F</b>	628 mm	24" 5/8
<b>G</b>	min. 508 mm	min. 20"
<b>H</b>	min. 762 mm	min. 30"
<b>I</b>	min. 457 mm	min. 18"
<b>J</b>	see notes below	
<b>K</b>	max. 330 mm	max. 13"

Clearance **J** can have the following values:

- **J = 36" / 914 mm** minimum clearance between the top of the cooking surface and the bottom of an unprotected wood or metal cabinet.
- **J = 30" / 762 mm** minimum when the bottom of wood or metal cabinet is protected by not less than 1/4-inch-thick flame-retardant millboard covered with not less than No. 28 MSG sheet steel, 0.015-inch-thick stainless steel, 0.024-inch-thick aluminum, or 0.020-inch-thick copper. Clearances from non-combustible materials are not part of the ANSI Z21.1 scope and are not certified by CSA. Clearances of less than 30" should be approved by the local codes and/or by the local authority having jurisdiction.

30" Front Control Freestanding Gas Range

Gas Range

---

Available Products: ECFG3068AS

Available Colors: Stainless Steel

---

Version: 02/23

---

We reserve the right to change specifications or discontinue models without notice.

Electrolux Major Appliances, N.A.

USA • 10200 David Taylor Drive • Charlotte, NC 28262 • Charlotte, NC 28262 • 1-877-4electrolux (1-877-435-3287) • [electrolux.com/en](http://electrolux.com/en)

CANADA • 5855 Terry Fox Way • Mississauga, ON L5V 3E4 • 1-800-265-8352 • [electrolux.ca](http://electrolux.ca)