



EB 333 611

Stainless steel
Width 36" (90 cm)

Included in the price

- 1 baking tray, enamelled pyrolysis-safe
- 1 rotisserie spit
- 1 wire rack
- 1 broiling tray with wire rack
- 1 plug-in core temperature probe

Special accessories

BA 090 100

Black rotary knobs for EB 333, set of 2
Stainless steel knobs with black coating.

BA 018 165

Pull-out system
Fully extendable telescopic rails and enameled cast iron frame.

BA 028 115

Baking tray, enameled
1" deep.

BA 038 165

Wire rack, chromium-plated
Without opening, with feet.

BA 058 115

Heating element for baking stone and
Gastronorm roaster.

BA 058 133

Baking stone
Incl. baking stone support and pizza peel (heating element must be ordered separately).

Cannot be used in combination with pull-out system.

BS 020 002

Pizza peel, set of 2.

GN 340 230

Gastronorm roaster in cast aluminium.
GN 2/3, height 4", with 2 1/2" lid, non-stick.

Oven

EB 333

- One-piece front-hinged door with 3 mm precision crafted stainless steel front door panel
- Cushioned door opening and closing system
- Diagonally positioned light sources for optimal interior lighting
- Pyrolytic system
- 17 heating methods with core temperature probe, rotisserie spit and baking stone function
- Automatic programs
- Core temperature probe with estimation of cooking time
- Convection fan rotates in both directions for ideal heat distribution
- TFT touch display
- Panel-free appliance with control module behind glass
- Electronic temperature control from 85° F - 550° F
- Net volume 3.6 cu.ft.
- Star-K certified.

Cooking modes

- Convection.
- Economy Convection.
- Top + bottom heat.
- Top + 1/3 bottom heat.
- Top heat.
- 1/3 top + bottom heat.
- Bottom heat.
- Convection + bottom heat.
- Convection + 1/3 bottom heat.
- Broil + circulated air.
- Broiling.
- Economy Broil.
- Baking stone function.
- Roaster function.
- Dough proofing.
- Defrosting.
- Keeping warm.

Handling

- Rotary knob and TFT touch display operation.
- Clear text display in 44 languages.
- Option to save individual recipes (incl. core temperature probe).
- Personalization of automatic programs.
- Information key with use indicators.
- Front-hinged door with 90° door opening angle.

Features

- Three-point core temperature probe with automatic shut-off and estimation of cooking time.
- Automatic programs.
- Rotisserie spit.
- Outlet for optional additional heating element used for baking stone or gastronorm roaster function.
- Baking stone socket.
- Actual temperature display.
- Rapid heating.
- Timer functions: cooking time, cooking time end, timer, stopwatch, long-term timer (Sabbath mode).
- 60 W halogen light on the top.
- 2 x 10 W halogen light (one on each side).
- Enameled side shelf supports with 3 rack levels, pyrolysis-safe.

Home network integration for digital services (Home Connect) either via cable connection LAN (recommended) or wireless via WiFi.
The use of the Home Connect functionality depends on the Home

Connect services, which are not available in every country. For further information please check: home-connect.com.

Safety

- Thermally insulated door with quintuple glazing.
- Child lock.
- Safety shut-off.
- Cooled housing with temperature protection.

Cleaning

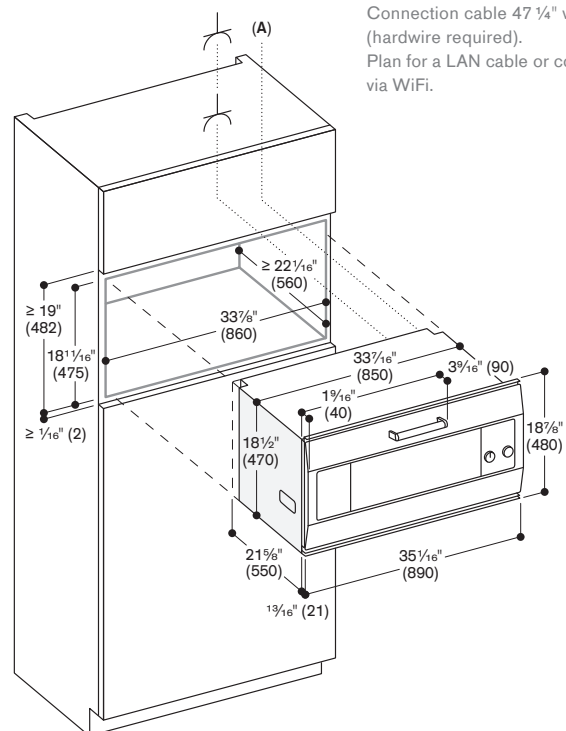
- Pyrolysis system.
- Gaggenau enamel.
- Heated catalyser to clean the oven air.

Planning notes

- The door panel surface of the appliance extends 1 9/16" (40 mm) from the furniture cavity.
- The outer edge of the door handle extends 3 9/16" (90 mm) from the furniture cavity.
- For installation underneath cooktops: Distance between the underside of the cooktop and the top edge of the oven cavity: min. 1 9/32" (15 mm). The planning notes for the cooktops (particularly regarding ventilation, gas/electric connection) must be taken into account.
- To achieve the 21 5/8" (550 mm) installation depth, the connection cable needs to follow the slanted edge on the corner of the housing.
- Plan a power outlet outside of the cut-out.
- The LAN port can be found at the back on the upper left side.

Connection

- Total rating 5,900 W
- Total Amps: 25 A.
- 120/208 - 240V, 60Hz (4 Wire)
- Total connected load 5,400 W.
- Connection cable 47 1/4" without plug (hardwire required).
- Plan for a LAN cable or connect via WiFi.



A: LAN Port
△: Socket

Numbers indicated inside parenthesis () = mm

www.gaggenau.com/us
Revised: August 2022

