

24-Inch Wine Dispenser

\$6,499

dacor



DWS4000BB – Silver/Graphite Stainless

Features & Benefits

- 4 bottle dispensing system
- 60 days preservation with argon gas
- Dual zone active cooling system
- Digital display with glass-touch control
- Custom dispensing volume
- Dual-pane glass with UV coating
- Spring piston bottle system
- Flush installation
- Reversible door
- Silver stainless or graphite finish

Controls

CONTROL TYPE	Digital LCD Color Display
SABBATH MODE	Yes

Features

GLASS DOOR	Dual-Pane UV-Resistant
REVERSIBLE DOOR	Yes
INTERIOR MATERIAL	Stainless steel
DISPENSING VOLUME	Free Pour, 2 oz. (Customizable), 4 oz. (Customizable)
LIGHTING	LED
BOTTLE INDICATOR	Yes
AUTOMATIC ELECTRONIC DOOR LOCK	Yes
CHILD LOCK	Yes
DOOR ALARM	Visual Icon Only

Refrigerator

CAPACITY (BOTTLES)	4
ZONES	2
TEMPERATURE RANGE	Left: 44°F to 72°F Right: 59°F to 72°F
PRESERVATION	Argon Gas
REFRIGERANT	R600a

Weights & Dimensions

NET WEIGHT (LBS.)	85
SHIPPING WEIGHT (LBS.)	104
PRODUCT DIMENSIONS (W X H X D IN INCHES)	23 5/8 x 24 x 15 3/8
STANDARD CUTOUT REQUIRED (W X H X D IN INCHES)	22 1/8 x 24 x 18 3/4
FLUSH CUTOUT REQUIRED (W X H X D IN INCHES)	23 3/4 x 24 1/4 x 18 3/8

Technical Details

ELECTRICAL REQUIREMENTS	120V, 60 Hz, 15A
--------------------------------	------------------

Warranty

FULL COVERAGE	2 Years
----------------------	---------

Accessories (Required)

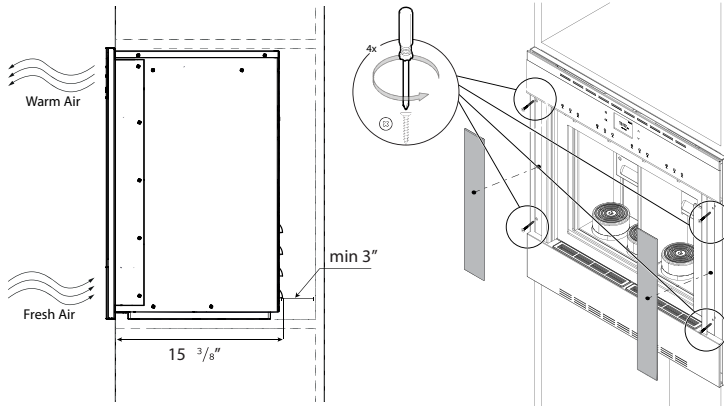
AWS4000GP	3 Argon Gas Canisters, 8 Pickup Tubes	\$599
------------------	---------------------------------------	-------

24-Inch Wine Dispenser

\$6,499

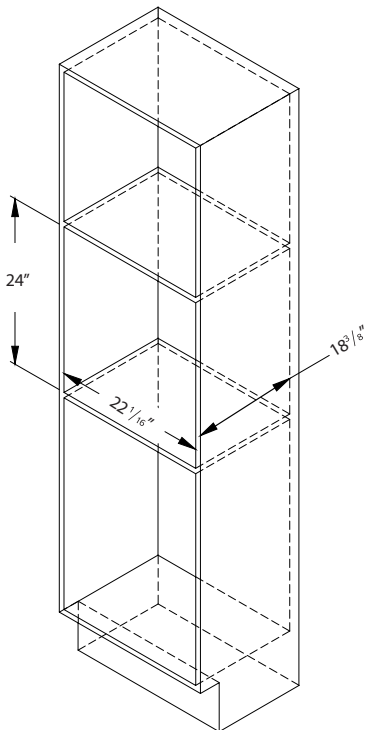
dacor

Standard Installation

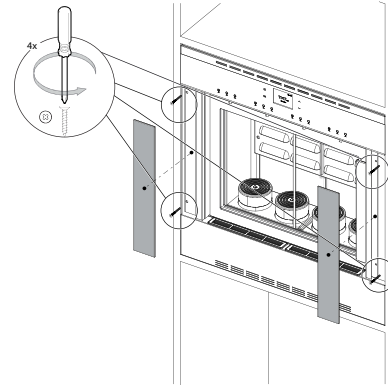


- A. Insert 4 #3.5mm x 30mm screws in the predrilled holes
- B. Attach the glass covers

ALL CABINET TOLERANCES: +1/16" (+1.6 MM/-0 MM)
UNLESS OTHERWISE STATED.



Flush Installation



- A. Insert 4 #3.5mm x 30mm screws in the predrilled holes
- B. Attach the glass covers

ALL CABINET TOLERANCES: +1/16" (+1.6 MM/-0 MM)
UNLESS OTHERWISE STATED.

